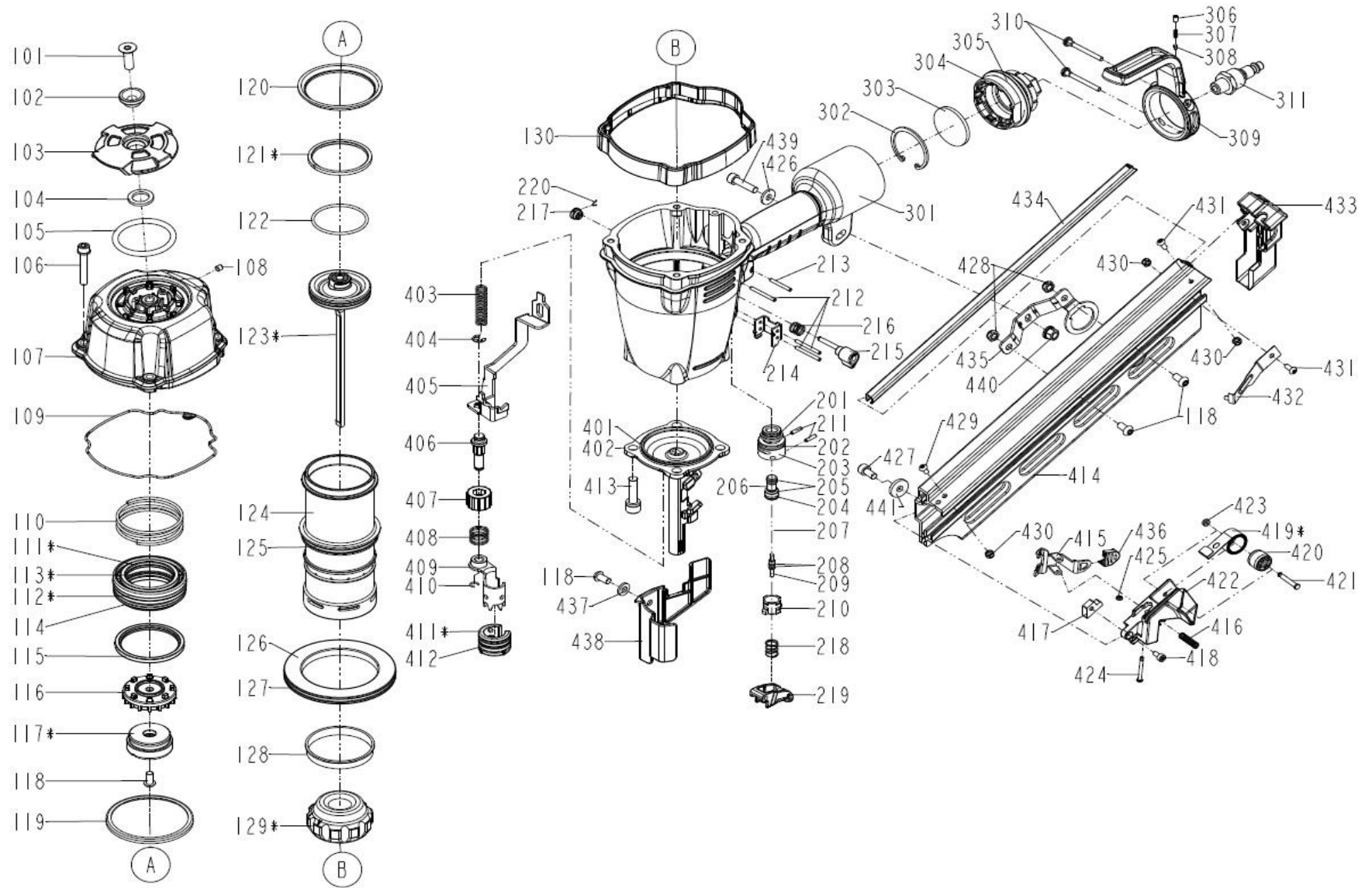


Framing nailer ESSVE FN 34/90



Framing nailer ESSVE FN 34/90

Pos	Art. Nr.	Name	Pos	Art. Nr.	Name	Pos	Art. Nr.	Name	Extras:		
101		COUNTER SUNK SCREW	209		PLUNGER	416		SPRING			
102		DEFLECTOR PAD	210		TRIGGER VALVE HEAD	417		SQUARE UNITS			
103		DEFLECTOR	211		SPRING PIN	418		HEX.SOC.HD.BOLT			
104		RUBBER PAD	212		SPRING PIN	419*		SPRING			
105		MUFFLER ASSY	213		SPRING PIN	420		ROLLING ELEMENT	Service kits:		
106		BOLT ASSY	214		SAFETY GUIDE	421		ROLL PIN	901071		Service kit
107		CAP	215		HINGE POINT	422		PROTECTING HOOD COVER	901077		Driver kit
108		HEX.SOC.HD.SCREW	216		SPRING	423		PU RETAINER	901073		No mark set
109		CYLINDER CAP SEAL	217		LOCATING WHEEL	424		TRIGGER PIVOT PIN	901083		Latch kit
110		COMPRESSION SPRING	218		SPRING	425		URETHANE RETAINER	901069		Trigger valve kit
111*		O - RING	219		TRIGGER UNIT	426		FLAT WASHER	901193		Trigger switch kit
112*		O - RING	220		RING	427		HEX.SOC.HD.BOLT			
113*		O - RING	301		GUN BODY UNIT	428		LOCK NUT			
114		HD.VALVE PISTON	302		C - RING	429		HALF ROUND HD.HEX.BOLT			
115		COLLAR	303		FILTER	430		LOCK NUT			
116		VALVE	304		END CAP	431		HALF ROUND HD.HEX.BOLT			
117*		SEAL	305		O - RING	432		STOP NAIL PLATE			
118		HALF ROUND HD.HEX.BOLT	306		HEX.SOC.HD.SCREW	433		PROTECTING HOOD COVER			
119		PRESS RING	307		POSITIONING SPRING	434		STEEL CHANNEL			
120		PRESS RING	308		POSITIONING SHAFT	435		POSITIONING SHEET			
121*		PISTON RING	309		SPRING RETAINER	436		GLOVE			
122		O - RING	310		SCREW	437		FLAT WASHER			
123*		DRIVER UNIT	311		AIR PLUG	438		COVER-SAFETY			
124		CYLINDER	401		O - RING	439		HEX.SOC.HD.BOLT			
125		O - RING	402		NOSE PIECE	440		BOLT CAP			
126		CYLINDER SPACER	403		SAFETY SPRING	441		FLAT WASHER			
127		O - RING	404		E - RING						
128		CYLINDER RING	405		SAFETY B						
129*		BUMPER	406		ADJUST ROD UNIT						
130		PROTECTIVE CUSHION	407		ADJUST AXIE						
201		O - RING	408		SAFETY SPRING A						
202		O - RING	409		SAFETY A						
203		PLUNGER CAP	410		RING						
204		O - RING	411*		PROTECTIVE CASING						
205		O - RING	412		FIXED RING						
206		VALVE PLUNGER	413		BOLT ASSY						
207		SPRING	414		MAGAZINE A						
208		O - RING	415		PUSHER						

