

Pipe clamp FRSN

The two-screw pipe clamp without sound insulation insert

2a



Waste water pipe

Applications

- Fixing of metal or plastic pipes without sound insulation requirements with threaded rods or stud screws (e.g. in industrial constructions)

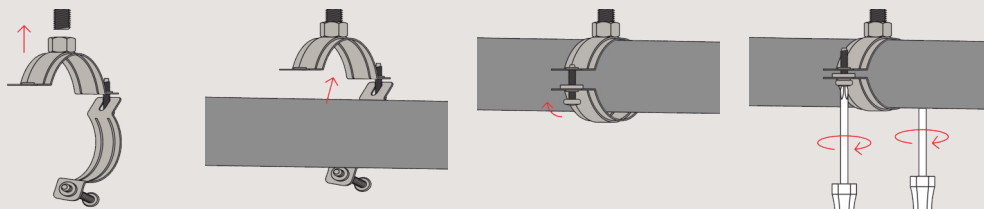
Advantages/benefits

- The FRSN without the sound insulation insert is ideal for use in industrial applications and plastic pipes.
- The combination connecting nut with thread M8/M10 allows for optimised mounting choices.
- The two screws enable ideal adaptation to suit the outer pipe diameter.
- The screw's safety feature ensures trouble-free installation.

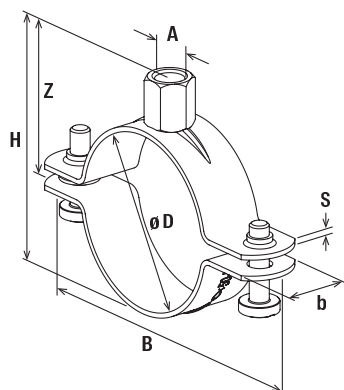
Properties

- Material: steel DD11 (material no. 1.0332) acc. to DIN EN 10111
- Zinc plating: electro zinc-plated, 5 - 9 µm
- Connecting nut: resistance welded M8 / M10, SW 13, M10 / M12, SW 17
- Locking screw: flat head screw with combination recessed head

Installation FRSN



Technical data



FRSN

Item	Item No.	Thread	Size	Clamping range	Width	Height	Width x thickness clamp band	Height Z	Locking screw	Max. recom. static load (centr. tension)	Sales unit
		A	[inch]	D [mm]	B [mm]	H [mm]	b x s [mm]	Z [mm]	N _{recom.} [kN]	[pcs]	
FRSN 15 - 19 M8/M10	049459	M 8 / M 10	3/8"	15 - 19	56	37	20 x 1,5	27	M 6	1.50	100
FRSN 21 - 23 M8/M10	049789	M 8 / M 10	1/2"	21 - 23	60	41	20 x 1,5	28	M 6	1.50	100
FRSN 25 - 28 M8/M10	049790	M 8 / M 10	3/4"	25 - 28	67	46	20 x 1,5	30	M 6	1.50	100
FRSN 32 - 36 M8/M10	049793	M 8 / M 10	1"	32 - 36	74	54	20 x 1,5	34	M 6	1.50	100
FRSN 38 - 43 M8/M10	049794	M 8 / M 10	1 1/4"	38 - 43	78	61	20 x 1,5	38	M 6	1.50	50
FRSN 44 - 49 M8/M10	049902	M 8 / M 10	1 1/2"	44 - 49	88	67	20 x 1,5	41	M 6	1.50	50
FRSN 50 - 56 M8/M10	049922	M 8 / M 10	—	50 - 56	92	74	20 x 1,5	43	M 6 x 16	1.50	50
FRSN 57 - 61 M8/M10	049944	M 8 / M 10	2"	57 - 61	98	79	20 x 1,5	47	M 6	1.50	50
FRSN 63 - 70 M8/M10	049945	M 8 / M 10	—	63 - 70	105	88	20 x 1,5	54	M 6	1.50	50
FRSN 70 - 77 M8/M10	049947	M 8 / M 10	2 1/2"	70 - 77	112	95	20 x 1,5	55	M 6	1.50	25
FRSN 80 - 83 M8/M10	049948	M 8 / M 10	—	80 - 83	116	101	20 x 1,5	58	M 6	1.50	25
FRSN 83 - 91 M8/M10	049979	M 8 / M 10	3"	83 - 91	128	111	20 x 2.0	63	M 6	2.50	25
FRSN 100 - 106 M8/M10	050006	M 8 / M 10	—	100 - 106	143	126	20 x 2.0	70	M 6	2.50	25
FRSN 108 - 114 M8/M10	050008	M 8 / M 10	4"	108 - 114	156	134	20 x 2.0	75	M 6	2.50	25
FRSN 123 - 128 M8/M10	050009	M 8 / M 10	—	123 - 128	173	149	25 x 2.5	82	M 6	2.50	25
FRSN 131 - 136 M8/M10	050010	M 8 / M 10	—	131 - 136	176	157	25 x 2.5	86	M 6	2.50	25
FRSN 137 - 146 M8/M10	050023	M 8 / M 10	5"	137 - 146	180	167	25 x 2.5	91	M 6	2.50	25
FRSN 118 - 122 M8/M10	500744	M 8 / M 10	—	118 - 122	160	142	20 x 2.0	78	M 6	2.50	25
FRSN 146 - 156 M8/M10	500746	M 8 / M 10	—	146 - 156	195	177	25 x 2.5	96	M 6	2.50	25
FRSN 159 - 165 M10/M12	500747	M 10 / M 12	—	159 - 165	203	191	25 x 2.5	106	M 6	2.50	25
FRSN 166 - 175 M10/M12	500748 ¹⁾	M 10 / M 12	—	166 - 175	211	201	25 x 2.5	110	M 8	2.50	20
FRSN 200 - 206 M10/M12	500751 ¹⁾	M 10 / M 12	—	200 - 206	248	232	25 x 2.5	126	M 8	2.50	10
FRSN 210 - 219 M10/M12	500752 ¹⁾	M 10 / M 12	8"	210 - 219	261	245	25 x 2.5	133	M 8	2.50	10

1) From diameter 166 mm the steel band is punched and delivered with separate locking screw and nut.