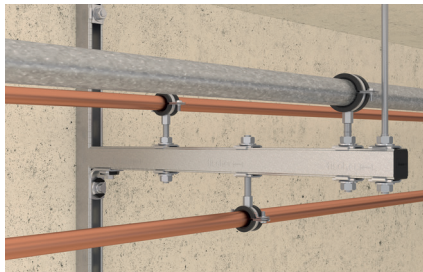


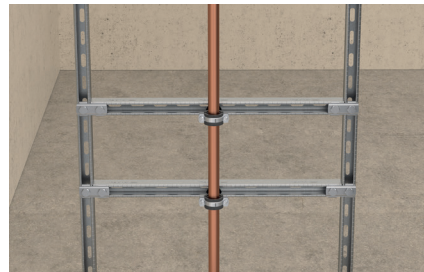
Pipe clamp FRS-L Universal

The light two-screw pipe clamp with rapid-locking mechanism and combination connecting nut

2a



Cantilever construction with channel



Vertical installation

Applications

- For simple and easy fixing for pipes using threaded rods or stud screws

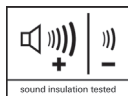
Certificates



Fire resistance classification
R120



MLAR R30



sound insulation tested

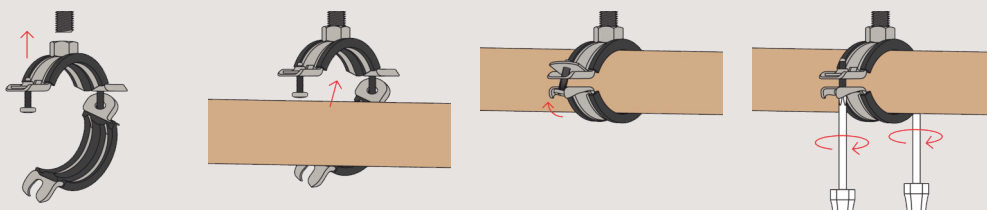
Advantage/Benefits

- The fire inspection report and the sound insulation report guarantee objectively tested functional safety.
- The unique rapid-locking mechanism with crimped edges allows a secure and time-saving installation.
- The clamp band with crimped edges gives a tight fit of the sound insulation insert and prevents it from slipping out when aligning the pipe.
- The two screws allow a perfect adaptation of the pipe clamp to suit every outer pipe diameter.
- The connecting nut with combination thread M8/M10 enables an optimised warehousing.
- The screw's loss protection guarantees an easy installation.

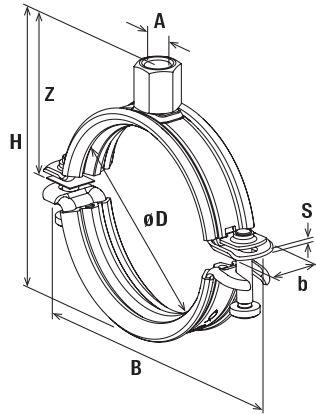
Properties

- Material: steel DD11 (material no. 1.0332) acc. to DIN EN 10111
- Zinc plating: electro zinc-plated, min. 5 µm acc. DIN EN ISO 4042
- Connecting nut: resistance welded, M8 / M10, SW 13
- Locking screw: flat head screw with combination recessed head
- Material sound insulation insert: SBR/EPDM; chlorine-free; silicone-free
- Sound insulation: for DIN 4109
- Temperature range: -40 °C to +100 °C
- Hardness: 55 ± 5° Shore A
- Fire behaviour: DIN 4102: Class B2

Installation FRS-L Universal



Technical data



FRS-L Universal

Item	Item No.	Fire test report	Thread	Size	Clamp- ing range		Width	Height	Width x thickness clamp band	Height Z	Locking screw	Max. recom. static load (centr. tension) N _{recom.} [kN]	Sales unit [pcs]
					A	D							
				[inch]	[mm]	[mm]	[mm]	b x s [mm]	Z [mm]				
FRS-L 8 - 11 Universal	539443	X	M 8 / M 10	—	8 - 11	47	35	18 x 1,0	25	M 5	0.70	25	
FRS-L 12 - 15 Universal	539444	X	M 8 / M 10	1/4"	12 - 15	52	39	18 x 1,0	27	M 5	0.70	25	
FRS-L 16 - 19 Universal	539445	X	M 8 / M 10	3/8"	16 - 19	56	43	18 x 1,0	29	M 5	0.70	25	
FRS-L 20 - 24 Universal	539446	X	M 8 / M 10	1/2"	20 - 24	61	48	18 x 1,0	31	M 5	0.70	25	
FRS-L 25 - 30 Universal	539447	X	M 8 / M 10	3/4"	25 - 30	67	53	18 x 1,0	34	M 5	0.70	25	
FRS-L 31 - 37 Universal	539448	X	M 8 / M 10	1"	31 - 37	74	61	18 x 1,0	38	M 5	0.70	25	
FRS-L 38 - 45 Universal	539449	X	M 8 / M 10	1 1/4"	38 - 45	83	69	18 x 1,2	42	M 5	1.00	25	
FRS-L 46 - 52 Universal	539450	X	M 8 / M 10	1 1/2"	46 - 52	90	76	18 x 1,2	45	M 5	1.00	25	
FRS-L 53 - 59 Universal	539451	X	M 8 / M 10	—	53 - 59	97	83	18 x 1,2	49	M 5	1.00	25	
FRS-L 60 - 66 Universal	539452	X	M 8 / M 10	2"	60 - 66	104	90	18 x 1,2	52	M 5	1.00	10	
FRS-L 67 - 75 Universal	539453	X	M 8 / M 10	—	67 - 75	120	100	20 x 1,8	57	M 6	1.30	10	
FRS-L 76 - 84 Universal	539454	X	M 8 / M 10	2 1/2"	76 - 84	130	109	20 x 1,8	62	M 6	1.30	10	
FRS-L 85 - 93 Universal	539455	X	M 8 / M 10	3"	85 - 93	139	118	20 x 1,8	66	M 6	1.30	10	
FRS-L 94 - 100 Universal	539456	X	M 8 / M 10	—	94 - 100	146	125	20 x 1,8	70	M 6	1.30	10	
FRS-L 101 - 110 Universal	539457	X	M 8 / M 10	—	101 - 110	156	135	20 x 1,8	75	M 6	1.30	10	
FRS-L 110 - 119 Universal	539459	X	M 8 / M 10	4"	110 - 119	165	144	20 x 1,8	79	M 6	1.30	10	
FRS-L 120 - 129 Universal	544905	X	M 8 / M 10	—	120 - 129	176	156	25 x 2,0	86	M 6	1.50	5	
FRS-L 130 - 137 Universal	544906	X	M 8 / M 10	—	130 - 137	184	164	25 x 2,0	90	M 6	1.50	5	
FRS-L 138 - 145 Universal	544907	X	M 8 / M 10	5"	138 - 145	192	172	25 x 2,0	94	M 6	1.50	5	
FRS-L 146 - 155 Universal	544908	X	M 8 / M 10	—	146 - 155	202	182	25 x 2,0	99	M 6	1.50	5	
FRS-L 156 - 163 Universal	544909	X	M 8 / M 10	—	156 - 163	211	190	25 x 2,0	103	M 6	1.50	5	
FRS-L 164 - 172 Universal	544910	X	M 8 / M 10	6"	164 - 172	219	199	25 x 2,0	106	M 6	1.50	5	