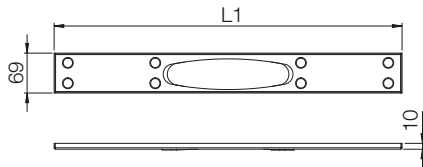


Dimension sketches

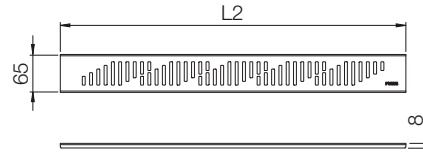
PATTERN

Frame



$L1 = 597, 697, 797, 897, 997, 1197$

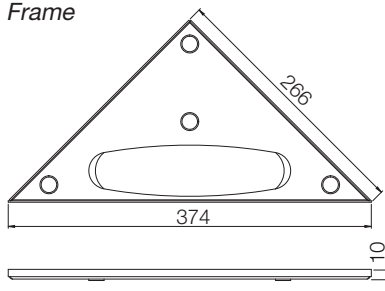
Grating



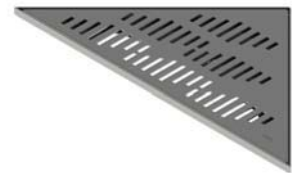
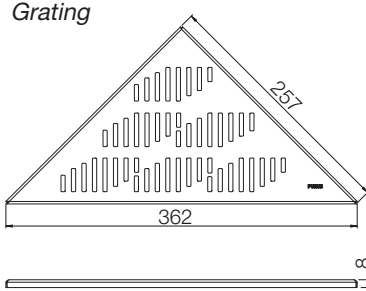
$L2 = 593, 693, 793, 893, 993, 1193$



Frame



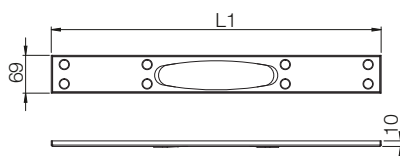
Grating



Applies to: TWIST, RIB, CHESS, PEARL, WAVE

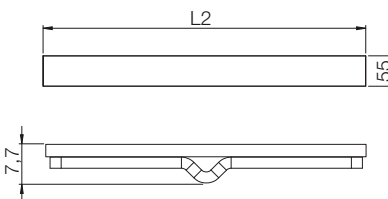
PANEL

Frame

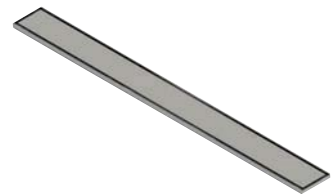


$L1 = 597, 697, 797, 897, 997, 1197$

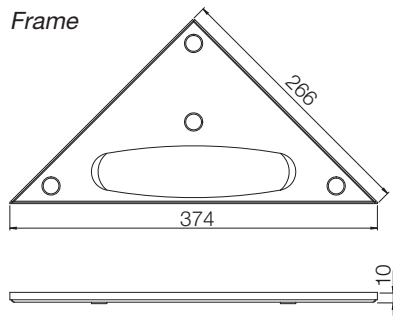
Panel



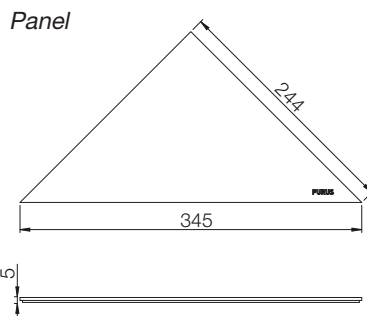
$L2 = 584, 684, 784, 884, 984, 1184$



Frame



Panel

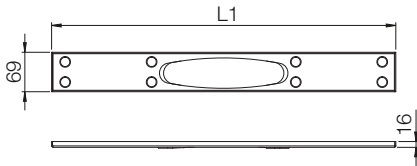


Applies to: PLATINUM

Dimension sketches

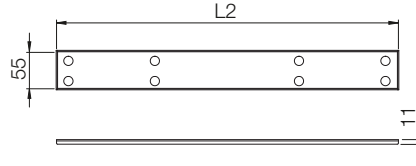
TILE INSERT

Outer frame



L1 = 597, 697, 797, 897, 997

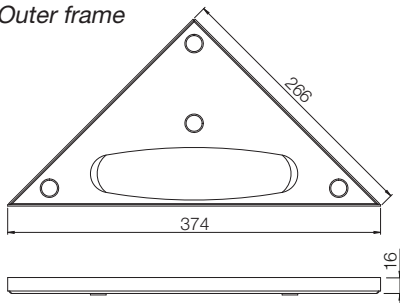
Inner frame



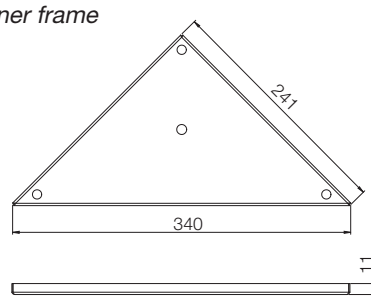
L2 = 584, 684, 784, 884, 984



Outer frame



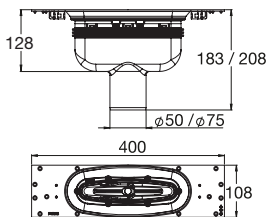
Inner frame



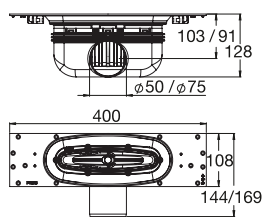
Applies to: TILE INSERT, FISH

GULLIES

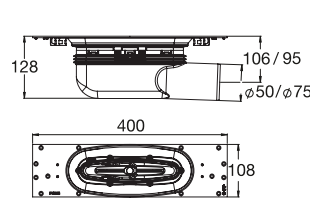
Purus Line and Purus Corner is available with different gullies. NOOD trap is included in all gullies except side for outlet $\text{\O}32/40$ mm.



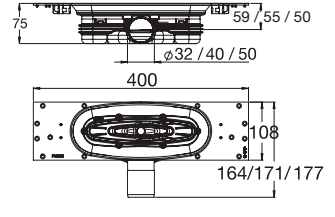
Bottom outlet
 $\text{\O}50/75$



Side outlet
 $\text{\O}50/75$



Gable outlet
 $\text{\O}50/75$



Low side outlet
 $\text{\O}32/40/50$