

Product data sheet
Electronic paper roll dispenser 900.06.01060

HEWI

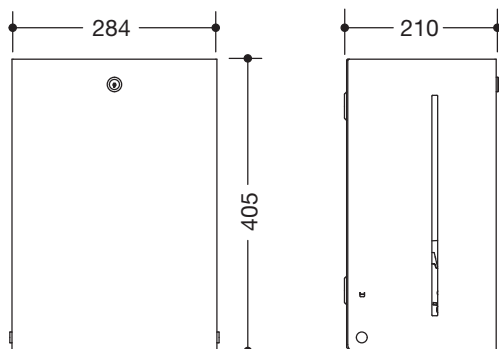


Electronic paper roll dispenser 900.06.01060

- angular base body
- serves to hold standard paper rolls with external unwinding, max. roll width 210 mm, max. roll diameter 200 mm, sleeve diameter 38 mm
- level indicator at the side
- easy paper roll replacement
- with battery change indicator
- automatic paper output at the washbasin after the paper has been torn off
- integrated tear-off edge
- protection against misuse through locking device
- maintenance-free
- 284 mm wide, 405 mm high and 210 mm deep
- for wall mounting
- made of high-quality stainless steel, powder coated in the HEWI colours DX (matt white), DC (matt black), AY (matt light grey pearl mica) and SC (matt dark grey pearl mica)
- including corrosion-free HEWI fixing material
- batteries (D - Mono - LR20 - 1.5 V / 4 pcs.) not included in the scope of supply
- can be converted to mains connection 950.06.E01
- CE marking in accordance with EU Directive 2015/863/EC



Dimensions in mm

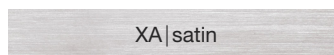


Surfaces/Colours



The colour AY will be discontinued 31.03.2023

Alternative surface



Technical information subject to alteration, 30th March 2022

HEWI Heinrich Wilke GmbH
Postfach 1260
D-34442 Bad Arolsen

Telefon: +49 5691 82-366
Telefax: +49 5691 82-99366
international@hewi.com
www.hewi.com

HEWI (UK) Limited
Holm Oak Barn, Beluncle Halt
Stoke Road
Hoo Kent ME3 9NT

Phone +44 1634 258 200
Fax +44 1634 250 099
info@hewi.co.uk
www.hewi.com