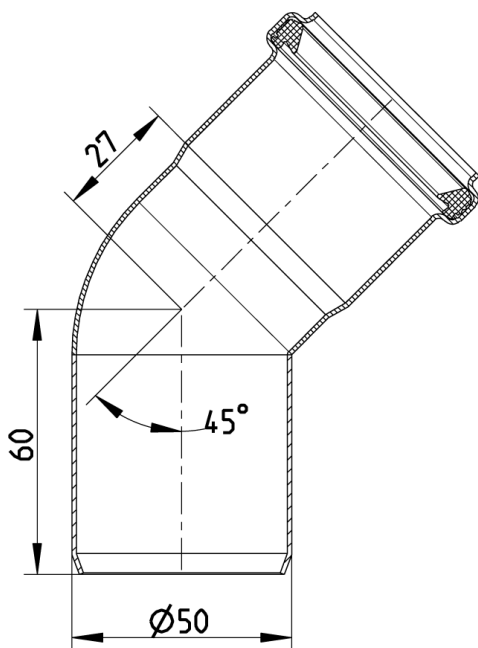




BEND 45°, Ø50MM  
- Syrefast stål: AISI316L/EN1.4404

Type nr.: 820.045.050 S  
EAN nr.: 5705499401318  
VVS nr.: 160205350  
RSK nr.: 1550289  
NRF nr.: 2170754  
LVI nr.: 0250682

Type: Bend  
Utløpsdia. (mm): 50  
Vinkel (°): 45  
Vekt (kg): 0,17  
Materiale: AISI 316L  
Materiale: EN 1.4404



### Godkjenninger

ABS - 04-LD472768/3  
Achilles - 25316-17  
AUS - WMKT00204 - 18  
Bureau Veritas - 02375-G0  
DE - LGA Certificate 57214035 a  
DK - VA 2.12/19349-16  
DNV - TAP0000023-rev1  
Lloyds Register 92-00041 (E6)  
MARINE - R4547 NATO CODIFICATION SYSTEM  
NO - 0692-12  
PL - Hygenic Certificate - All products  
RINA - MAC128714XG EuroPipe  
RS - 14.10112.262  
RU - 1682258  
SE - SITAC 4423/90  
UK - BBA 86-1751 EuroPipe  
UR - 1055745  
US - IAPMO File No.3247-16

