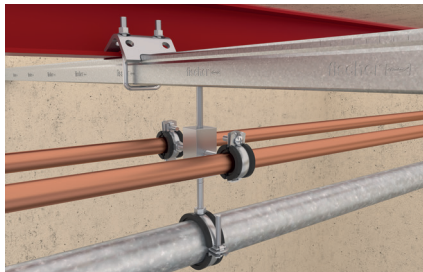


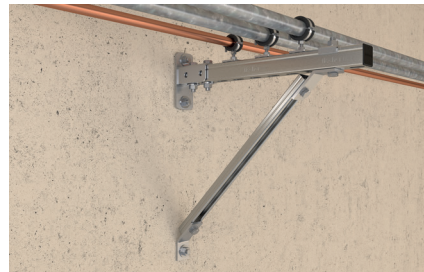
Hinged pipe clamp FGRS

The one-piece hinged pipe clamp with floating single screw

2a



Fixation with multi-connector



Leightweight installation on cantilever

Applications

- For economical fixing of pipes up to Ø2" with threaded rods or stud screws

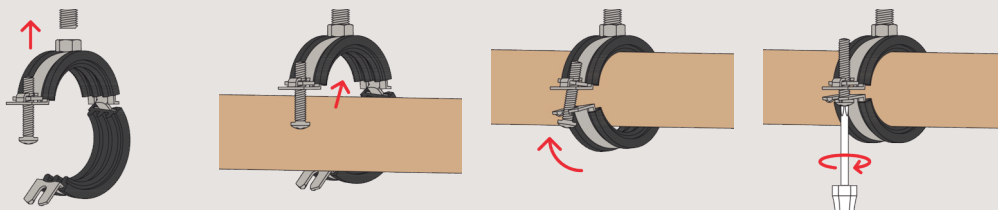
Advantages/benefits

- The floating single screw allows a simple, one-handed installation.
- The safety latch fastening guarantees secure pipe installation without the clamp springing open.
- The compact construction of the pipe clamp enables a simple post-installation insulation.
- The screw's design stops it falling out during the installation.

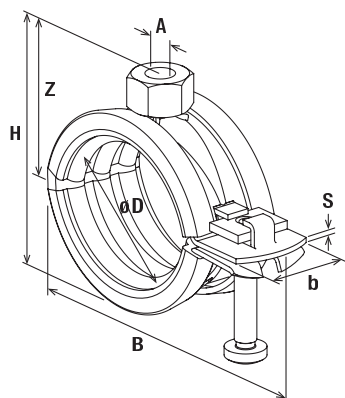
Properties

- Material: steel DD11 (material no. 1.0332) acc. to DIN EN 10111
- Zinc plating: electro zinc-plated, 5 - 9 µm
- Connecting nut: resistance welded, M8, SW 13
- Locking screw: flat head screw with combination recessed head
- Material sound insulation insert: EPDM; chlorine-free; silicone-free
- Sound insulation: for DIN 4109
- Temperature range: -40 °C to +100 °C
- Hardness: 55 ± 5° Shore A
- Fire behaviour: DIN 4102: Class B2

Installation FGRS



Technical data



FGRS

| Item | Item No. | Thread | Size | Clamping range | Width | Height | Width x thickness clamp band | Height Z | Locking screw | Max. recom. static load (centr. tension) N _{recom.} [kN] | Sales unit [pcs] |
|--------------|----------|--------|--------|----------------|--------|--------|------------------------------|----------|---------------|--|------------------|
| | | A | [inch] | D [mm] | B [mm] | H [mm] | b x s [mm] | Z [mm] | | | |
| FGRS 8 - 11 | 537212 | M 8 | — | 8 - 11 | 45 | 29 | 20 x 1.25 | 17 | M 5 | 0.80 | 100 |
| FGRS 12 - 14 | 079420 | M 8 | 1/4" | 12 - 14 | 48 | 31 | 20 x 1.25 | 21 | M 5 | 0.80 | 100 |
| FGRS 15 - 19 | 079421 | M 8 | 3/8" | 15 - 19 | 52 | 36 | 20 x 1.25 | 24 | M 5 | 0.80 | 100 |
| FGRS 20 - 24 | 079422 | M 8 | 1/2" | 20 - 24 | 58 | 41 | 20 x 1.25 | 26 | M 5 | 0.80 | 100 |
| FGRS 25 - 30 | 079423 | M 8 | 3/4" | 25 - 30 | 63 | 47 | 20 x 1.25 | 28 | M 5 | 0.80 | 100 |
| FGRS 32 - 37 | 079424 | M 8 | 1" | 32 - 37 | 72 | 54 | 20 x 1.25 | 32 | M 5 | 0.80 | 100 |
| FGRS 40 - 44 | 079425 | M 8 | 1 1/4" | 40 - 44 | 79 | 61 | 20 x 1,5 | 37 | M 5 | 0.90 | 50 |
| FGRS 45 - 50 | 079426 | M 8 | 1 1/2" | 45 - 50 | 88 | 67 | 20 x 1,5 | 42 | M 5 | 0.90 | 50 |
| FGRS 50 - 55 | 079427 | M 8 | — | 50 - 55 | 94 | 72 | 20 x 1,5 | 45 | M 5 | 0.90 | 50 |
| FGRS 56 - 63 | 079428 | M 8 | 2" | 56 - 63 | 99 | 80 | 20 x 1,5 | 46 | M 5 | 0.90 | 50 |

2a