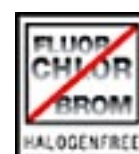




BUILDING MATERIALS

- Concrete
- Vertically perforated brick
- Hollow block made from lightweight concrete
- Cavity floor slabs made of brick, concrete, etc.
- Perforated sand-lime brick
- Solid sand-lime brick
- Natural stone with dense structure
- Aerated concrete
- Solid panel made from gypsum
- Solid brick made from lightweight concrete
- Solid brick

APPROVALS



ADVANTAGES

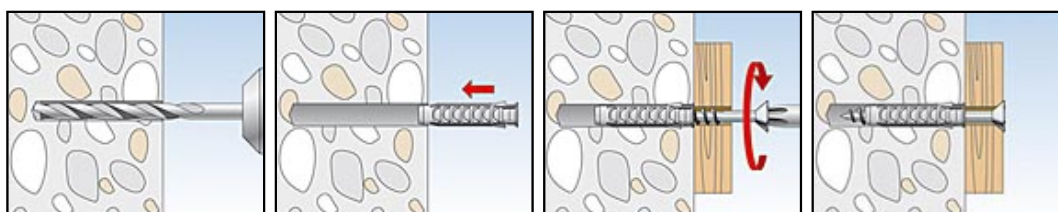
- The 4-way expansion provides the optimum force distribution in the material, and offers high load-bearing capacities in solid and hollow building materials.
- The expansion-free plug neck prevents the creation of expansion forces on the material surface whilst screwing in the screw. This helps to prevent damage to tiles and plaster.
- The pronounced rim prevents the plug from slipping into the drill hole, thus allowing for a simple installation.
- The greater anchorage depth of the SX 6x50, 8x65 and 10x80 means that the plug is especially suited to fixings in hollow building materials, aerated concrete and to bridge plaster.

APPLICATIONS

- Lighting
- Wall cabinets
- Wardrobes
- Letterboxes
- TV consoles
- Trellis
- Folding shutters
- Handrails
- Light wells
- Bath and toilet installations

FUNCTIONING

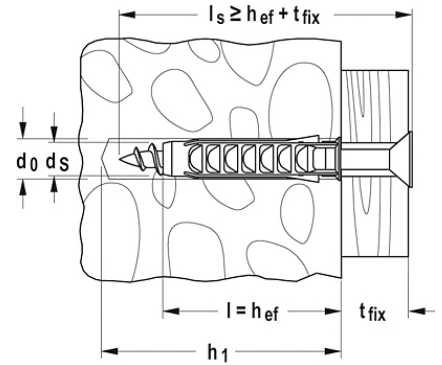
- The SX is suitable for pre-positioned and push-through installation.
- When turning in the screw, the SX expands in four directions, thus providing a secure anchoring in the building material.
- The required screw length is given by: Plug length + fixture thickness + 1 x screw diameter.
- Suitable for wood, chipboard and spacing screws (fischer ASL, see page).



TECHNICAL DATA



Expansion plug fixing set SX & screw



| Article name | Art.-No. | Card contents | Contents | Languages on card |
|---------------------|---------------|--|----------|--------------------|
| RB 6 x 30 K | 061522 | 15 x SX 6 x 30, 15 x screw 4.5 x 45, 20 x sticker black, white and brown | | D, GB, F, NL, E, I |
| RB 8 x 40 K | 061523 | 10 x SX 8 x 40, 10 x screw 5 x 50, 10 x sticker black, white and brown | | D, GB, F, NL, E, I |
| SKB 3 x 40 B | 093683 | | | |
| SKB 4 x 40 B | 093684 | | | |

LOADS

Plug SX

Highest recommended loads¹⁾ for a single anchor.

The given loads are valid for wood screws with the specified diameter.

| Type | | SX 4 x 20 | SX 5 x 25 | SX 6 x 30 SX 6 x 50 | SX 8 x 40 SX 8 x 65 | SX 10 x 50 | SX 10 x 80 | SX 12 x 60 | SX 14 x 70 | SX 16 x 80 |
|---|---|-----------|-----------|------------------------|------------------------|------------|------------|------------|------------|------------|
| Screw diameter | ∅ [mm] | 3 | 4 | 5 | 6 | 8 | 8 | 10 | 12 | 12 |
| Min. edge distance in concrete | c _{min} [mm] | - | - | 35 | 40 | 50 | 50 | 65 | 100 | 120 |
| Recommended loads in the respective base material F_{rec}²⁾ | | | | | | | | | | |
| Concrete | ≥ C20/25 [kN] | 0,16 | 0,30 | 0,65 | 0,70 | 1,20 | 1,20 | 1,70 | 2,00 | 2,60 |
| Solid brick | ≥ Mz 12 [kN] | 0,11 | 0,25 | 0,30 | 0,60 | 0,65 | 1,20 | 0,70 | 0,80 | 0,90 |
| Solid sand lime stone | ≥ KS 12 [kN] | 0,17 | 0,30 | 0,50 | 0,60 | 1,20 | 1,20 | 1,70 | 2,00 | 2,60 |
| Aerated concrete | ≥ PB2, PP2 (G2) [kN] | 0,03 | 0,03 | 0,03 | 0,04 | 0,09 | 0,20 | 0,14 | 0,30 | 0,40 |
| Aerated concrete | ≥ PB4, PP4 (G4) [kN] | 0,07 | 0,09 | 0,09 | 0,14 | 0,30 | 0,60 | 0,45 | 0,50 | 0,60 |
| Vertically perforated bricks | ≥ Hlz 12 (ρ ≥ 1.0 kg/dm ³) [kN] | 0,13 | 0,07 | 0,07 | 0,17 | 0,17 | 0,50 | 0,26 | 0,40 | 0,60 |
| Perforated sand-lime brick | ≥ KSL 12 [kN] | 0,15 | 0,17 | 0,30 | 0,35 | 0,30 | 0,80 | 0,35 | 0,30 | 0,40 |
| Plaster wall | [kN] | - | - | - | 0,26 | 0,37 | - | 1,00 | 1,00 | - |

¹⁾ Includes the safety factor 7.

²⁾ Valid for tensile load, shear load and oblique load under any angle.