



CorePro LEDbulbs

CorePro LEDbulb ND 11-75W A60 E27 827

CorePro LEDbulbs are compatible with existing fixtures with an E27 or B22 holder and are designed for retrofit replacement of incandescent bulbs. They deliver huge energy savings and minimize maintenance cost. The CorePro LED bulb is the perfect bulb for your basic lighting needs. It provides the beautiful light and dependable performance you expect from LED at an affordable price.

Product data

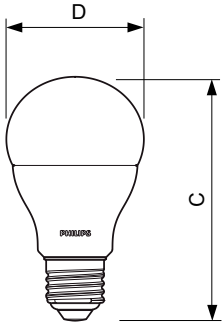
| General Information | | Wattage Equivalent | |
|---------------------------------------|---------------------|---------------------------------|---------------------------------------|
| Cap-Base | E27 [E27] | | 75 W |
| EU RoHS compliant | Yes | Starting Time (Nom) | 0.5 s |
| Nominal Lifetime (Nom) | 15000 h | Warm Up Time to 60% Light (Nom) | 0.5 s |
| Switching Cycle | 50000X | Power Factor (Nom) | 0.5 |
| Technical Type | 11-75W | Voltage (Nom) | 220-240 V |
| Light Technical | | Temperature | |
| Color Code | 827 [CCT of 2700K] | T-Case Maximum (Nom) | 80 °C |
| Beam Angle (Nom) | 200 ° | Controls and Dimming | |
| Luminous Flux (Nom) | 1055 lm | Dimmable | No |
| Color Designation | Warm White (WW) | Mechanical and Housing | |
| Correlated Color Temperature (Nom) | 2700 K | Bulb Finish | Frosted |
| Luminous Efficacy (rated) (Nom) | 95.00 lm/W | Approval and Application | |
| Color Consistency | <6 | Energy Efficiency Label (EEL) | A+ |
| Color Rendering Index (Nom) | 80 | Energy Consumption kWh/1000 h | 11 kWh |
| LLMF At End Of Nominal Lifetime (Nom) | 70 % | Product Data | |
| Operating and Electrical | | Full product code | 871869649076100 |
| Input Frequency | 50 to 60 Hz | Order product name | CorePro LEDbulb ND 11-75W A60 E27 827 |
| Power (Nom) | 11 W | | |
| Lamp Current (Nom) | 95 mA | | |

CorePro LEDbulbs

| | |
|---------------------------------|---------------|
| EAN/UPC - Product | 8718696490761 |
| Order code | 929001234402 |
| Numerator - Quantity Per Pack | 1 |
| Numerator - Packs per outer box | 10 |

| | |
|---------------------|--------------|
| Material Nr. (12NC) | 929001234402 |
| Net Weight (Piece) | 0.076 kg |

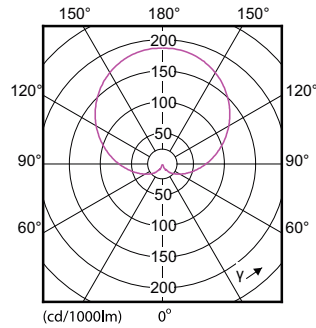
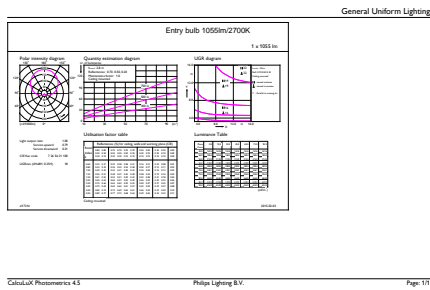
Dimensional drawing



Entry bulb 230V 10.5W-75W 2700K E27 ND

| Product | D | C |
|---------------------------------------|-------|--------|
| CorePro LEDbulb ND 11-75W A60 E27 827 | 60 mm | 110 mm |

Photometric data



CorePro LEDbulb ND 11-75W A60

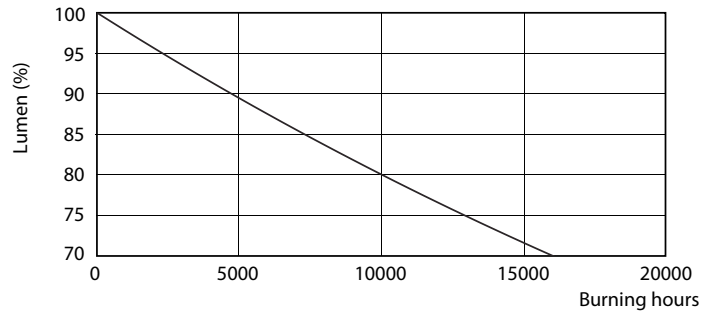
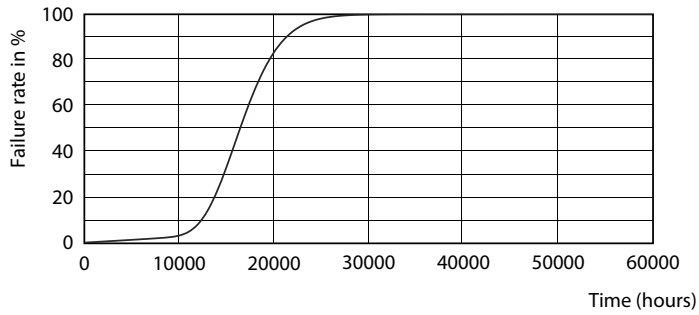
CorePro LEDbulb ND 11-75W A60



SDPO_LED Bulb_0021-Spectral Power distribution

CorePro LEDbulbs

Lifetime



LEDbulb 100W E27 840 FR A60

LEDbulb 100W E27 840 FR A60

