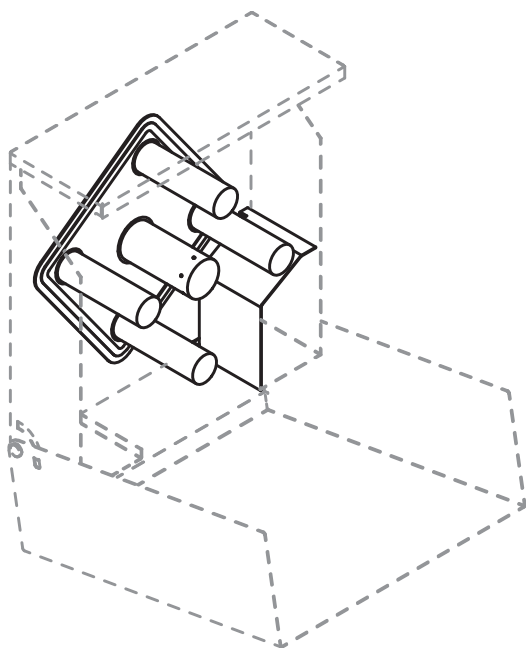


Product data sheet
Carousel 900.21.E01

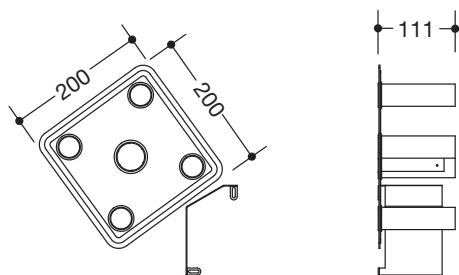
HEWI



Carousel 900.21.E01

- for conversion from large toilet roll holder to quadruple toilet roll holder
- optionally available

Dimensions in mm



Technical information subject to alteration, 17th June 2020

HEWI Heinrich Wilke GmbH
Postfach 1260
D-34442 Bad Arolsen

Telefon: +49 5691 82-366
Telefax: +49 5691 82-99366
international@hewi.com
www.hewi.com

HEWI (UK) Limited
Holm Oak Barn, Beluncle Halt
Stoke Road
Hoo Kent ME3 9NT

Phone +44 1634 258 200
Fax +44 1634 250 099
info@hewi.co.uk
www.hewi.com