

SYREFAST KOMPACT KULEVENTIL, FLENSSET MED FULLT LØP / STAINLESS STEEL BALL VALVE COMPACT, FLANGED WITH FULL BORE

SIP 110 Kompakt / SIP 110 Compact

ANBEFALTE BRUKSOMRÅDER:

Vann, olje og gass.

APPLICATION:

Water, oil and gas.

MAX. ARBEIDSTRYKK / WORKING PRESSURE:

DN15 - DN50: 40 bar

DN65 - DN100: 16 bar

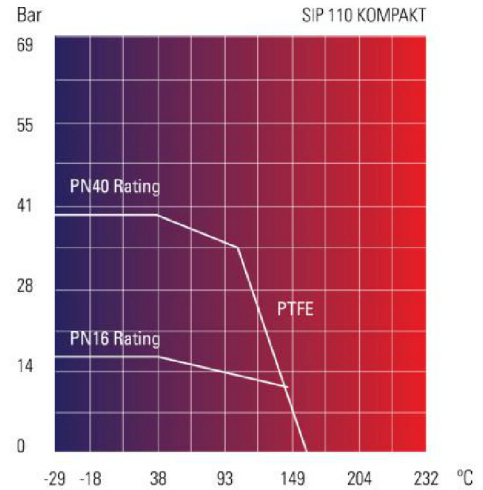
Topp i h.h.t. ISO 5211

Direct mounting pad ISO 5211

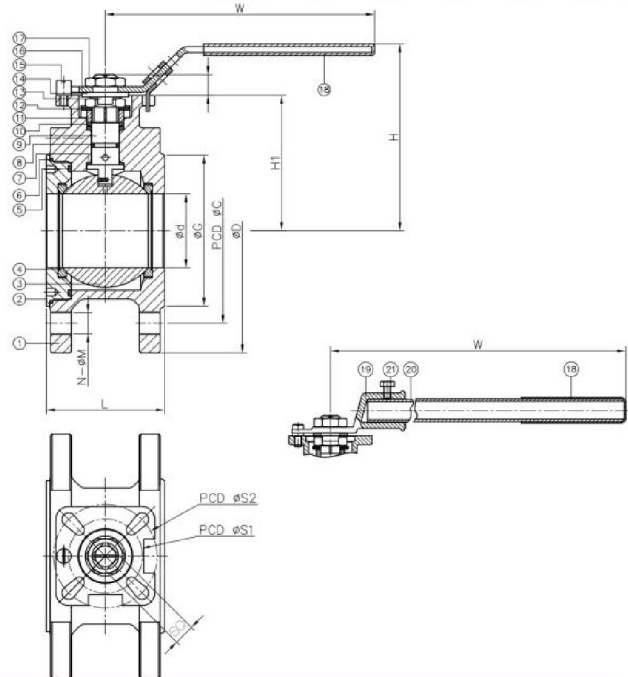


DN 65-100

DN 15-DN50



Nr	Detalj/Part name	Materiale/Material
1	Hus/Body	ASTM A351-CF8M
2	Endestykke/End Caps	ASTM A351-CF8M
3	Kule/Ball	ASTM A351-CF8M
4	Sete/Seat	RTFE
5	Pakning A/Body seal A	PTFE
6	Pakning B/Body seal B	PTFE
7	Tetningsring/Thrust washer	PTFE
8	O-ring/O-ring	Viton
9	Stem/Stem	1.4401
10	Pakkboks ring/Packing	PTFE
11	Glanding/Glandring	1.4301
12	Belleville/Belleville washer	1.4301
13	Segerring/Lock washer	1.4301
14	Pakningsskive/Lock washer	1.4301
15	Stopp skruer/Stopper	1.4301
16	Håndtak/Handle	1.4301
17	Mutter/Nut	1.4301
18	Håndtak/Handle sleeve	PVC
19	Håndtakshode/Handle head	1.4301
20	Håndtaksrør/Steel tube	1.4301
21	Bolt/Bolt	1.4301



HS CODE INT. 8481.80

DN	Vare nr. Part. no. 316	d	G	C	D	ISO Topp ISO Top	W	SQ	H	H1	N	M	L	Torque Torque	Vekt Weight kg
15	5671042	15	45	65	95	F03/F04	121,3	9	86,0	54,0	4	12	42	6	0,50
20	5671043	20	58	75	105	F03/F04	121,3	9	91,0	59,0	4	12	44	8	0,82
25	5671044	25	68	85	115	F04/F05	150,0	11	99,5	66,0	4	12	50	10	1,25
32	5671045	32	78	100	140	F04/F05	150,0	11	111,0	77,5	4	16	60	15	1,86
40	5671046	40	88	110	150	F05/F07	180,0	14	119,0	84,0	4	16	65	22	2,42
50	5671047	50	102	125	165	F05/F07	180,0	14	126,5	91,5	4	16	80	30	3,10
65	5671048	65	122	145	185	F07/F10	344,0	17	147,5	105,0	4	16	110	45	5,23
80	5671049	76	138	160	200	F07/F10	344,0	17	153,5	111,0	8	16	120	55	8,50
100	5671051	96	158	180	220	F10/F12	390,0	22	174,0	131,5	8	16	150	70	12,40

Kan leveres med EN 10204- 3.1 sertifikat / Can be delivered with EN 10204- 3.1 certificate.