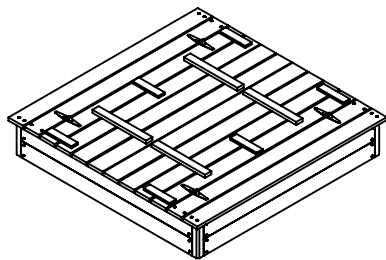


# 121313

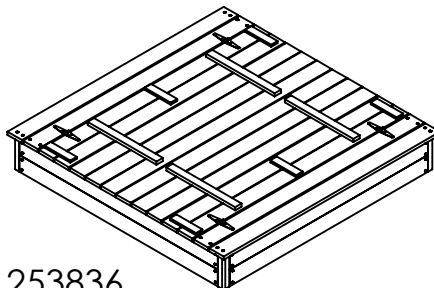
1200x1200mm



253837

# 121414

1400x1400mm

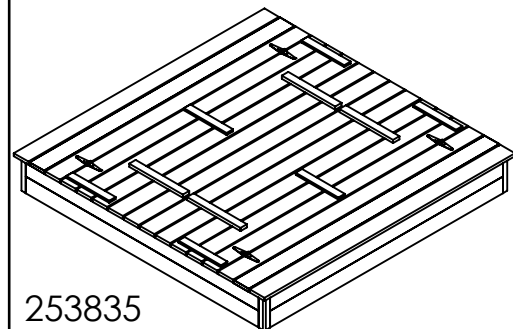


253836


# 121619



1/2



1600x1600mm

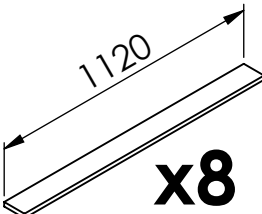


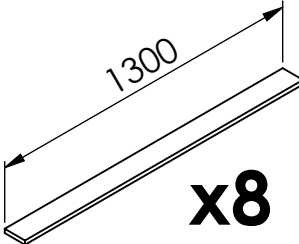
253835

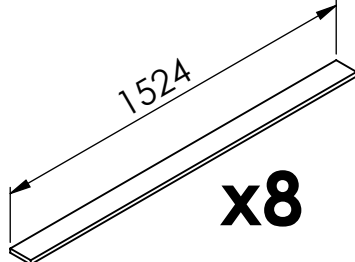
1  x4

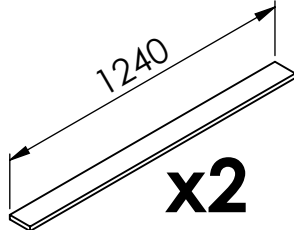
1  x4    1a  x4

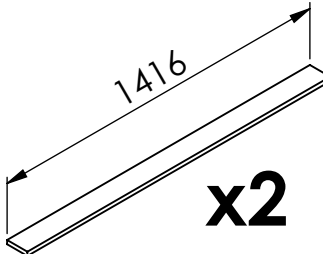
1  x4    1a  x4

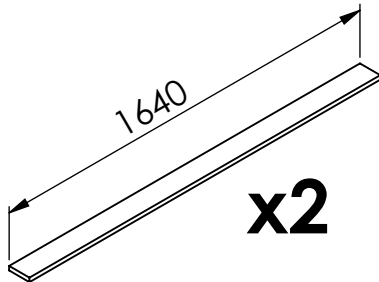
2  1120 x8

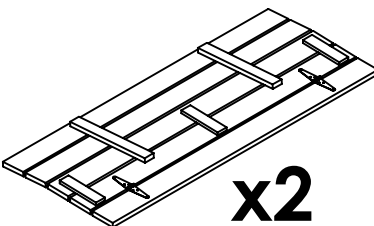
2  1300 x8

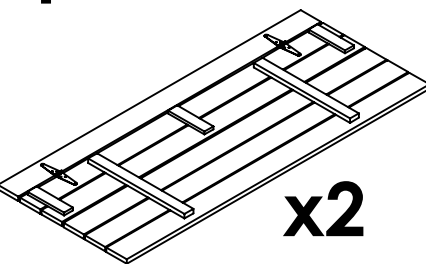
2  1524 x8

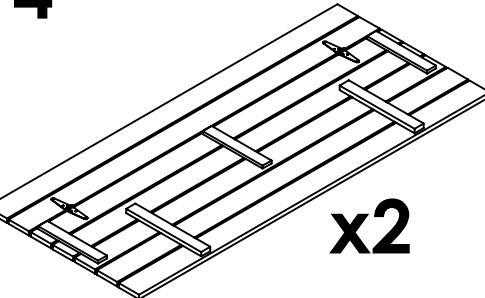
3  1240 x2

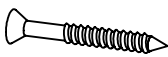
3  1416 x2


3  1640 x2

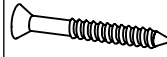
4  x2


4  x2


4  x2

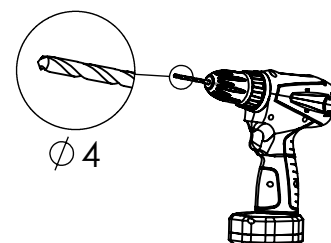
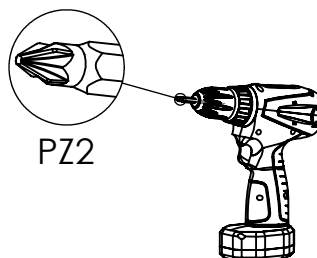
A  3,5x40 x48

A  3,5x40 x48

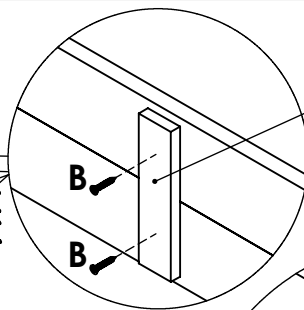
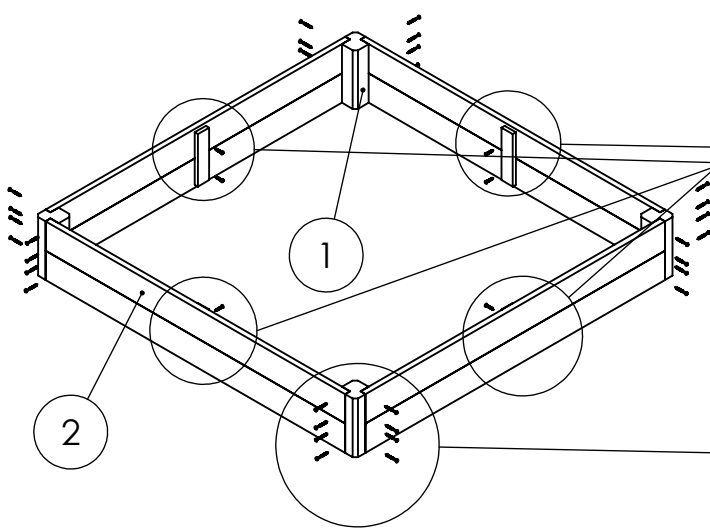
A  3,5x40 x48

B  3,5x25 x8

B  3,5x25 x8

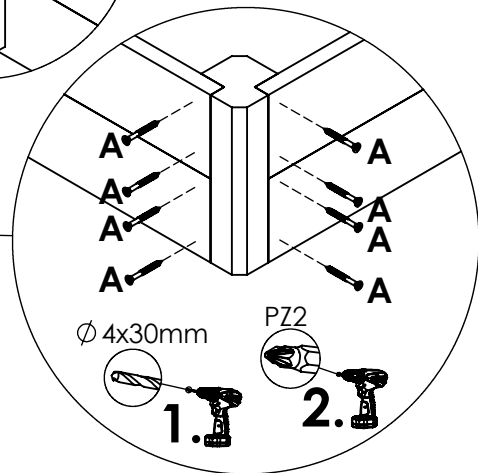


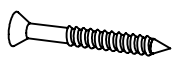

# 1



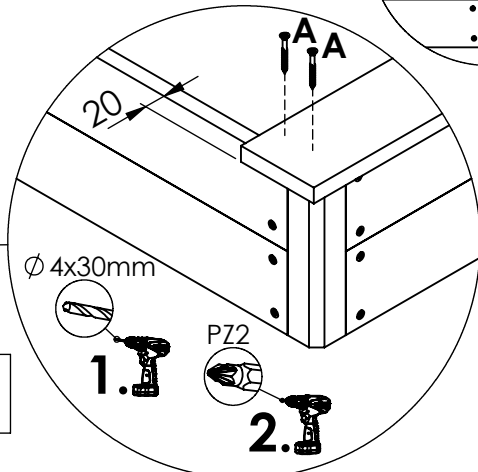
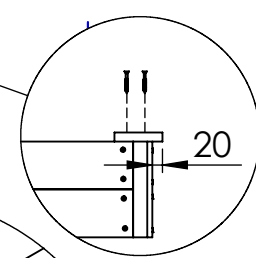
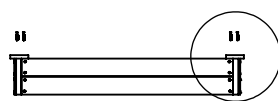
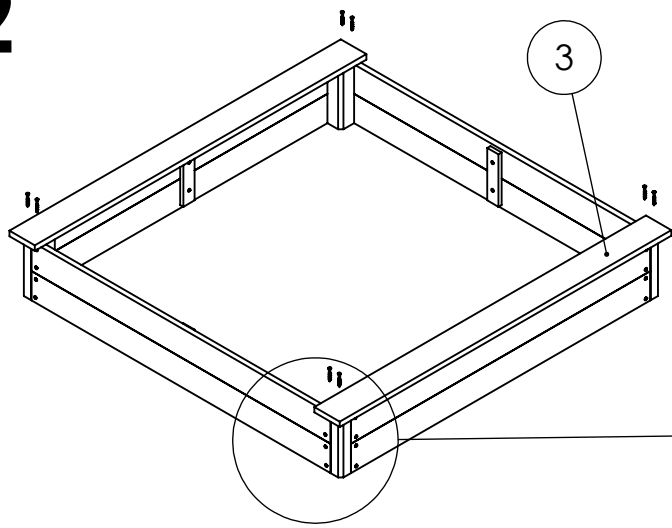
1a ~~121313~~  
121414  
121619


2 / 2



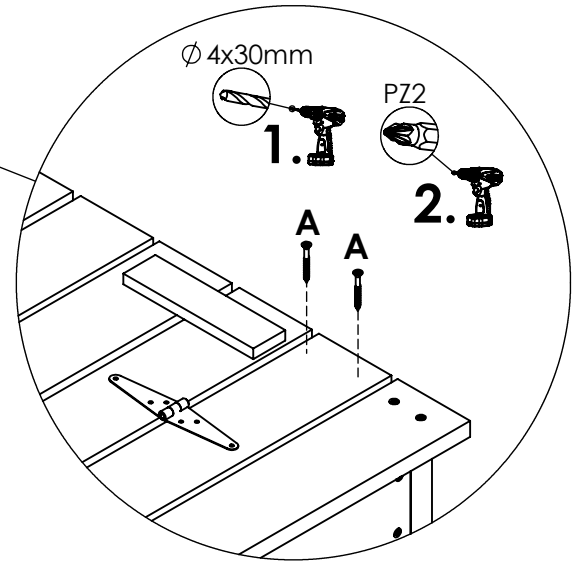
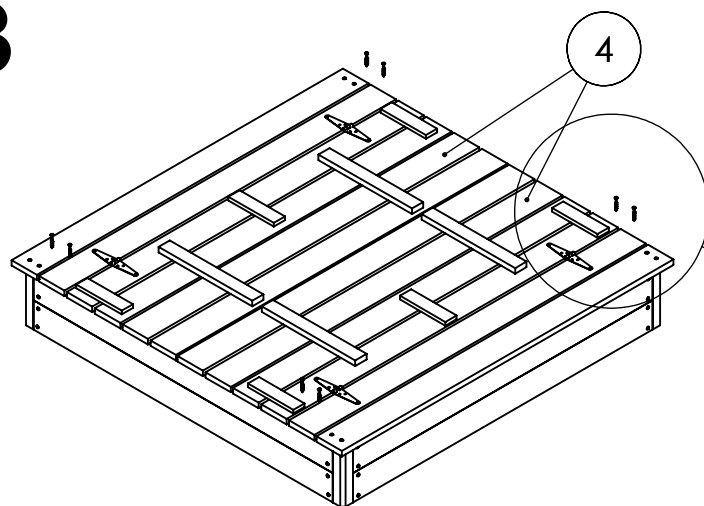
<b>A</b>		<b>3,5x40</b>	<b>x32</b>
<b>B</b>		<b>3,5x25</b>	<b>x8</b>

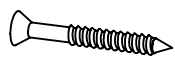
# 2



<b>A</b>		<b>3,5x40</b>	<b>x8</b>
----------	---	---------------	-----------

# 3



<b>A</b>		<b>3,5x40</b>	<b>x8</b>
----------	---	---------------	-----------