



Oras Safira

Installation and maintenance guide





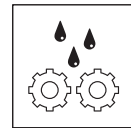
4-10



11-15



16



17-21

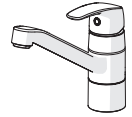
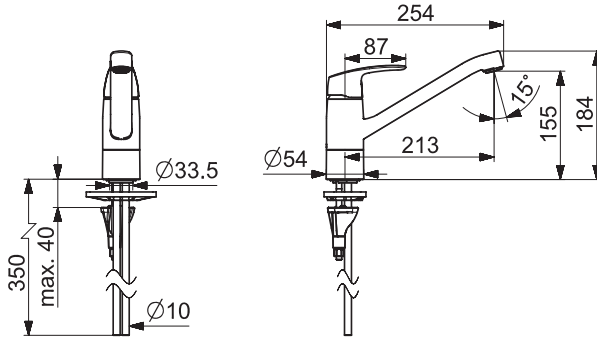


22



1030S

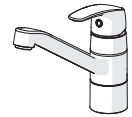
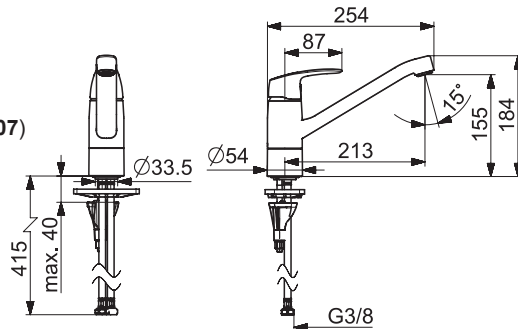
I (ISO 3822)
 EN 817
 50 - 1000 kPa
 0.27 l/s (300 kPa)
 160 kPa (0.2 l/s)
 max. +80°C



mpi.oras.com/1030S

1030FS, 1030FS-107

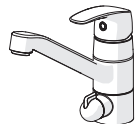
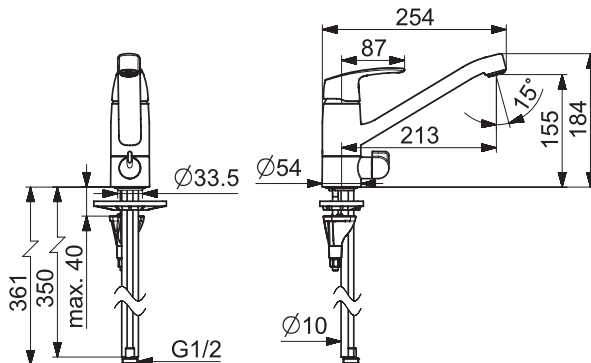
I (ISO 3822) Oras lab.
 EN 817
 50 - 1000 kPa
 0.25 l/s (300 kPa)
 0.116 l/s (300 kPa w/Controller)(-107)
 195 kPa (0.2 l/s)
 max. +70°C



mpi.oras.com/1030FS

1035S

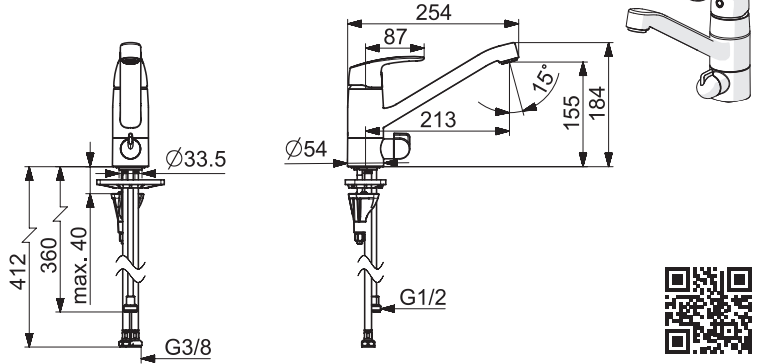
I (ISO 3822)
 EN 817
 50 - 1000 kPa
 0.27 l/s (300 kPa)
 160 kPa (0.2 l/s)
 max. +80°C



mpi.oras.com/1035S

1035FS

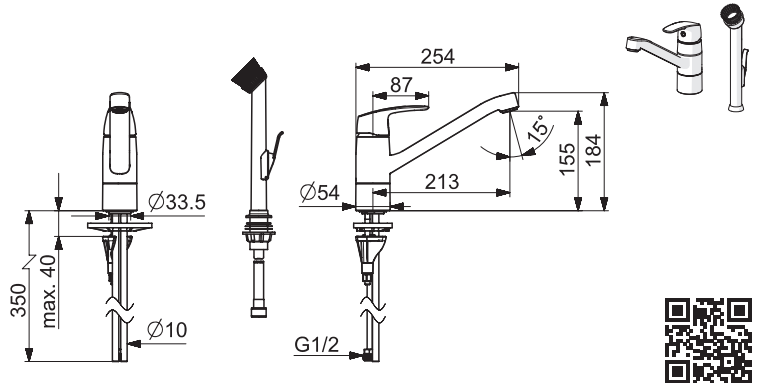
I (ISO 3822) Oras lab.
 EN 817
 50 - 1000 kPa
 0.25 l/s (300 kPa)
 195 kPa (0.2 l/s)
 max. +70°C



mpi.oras.com/1035FS

1022S

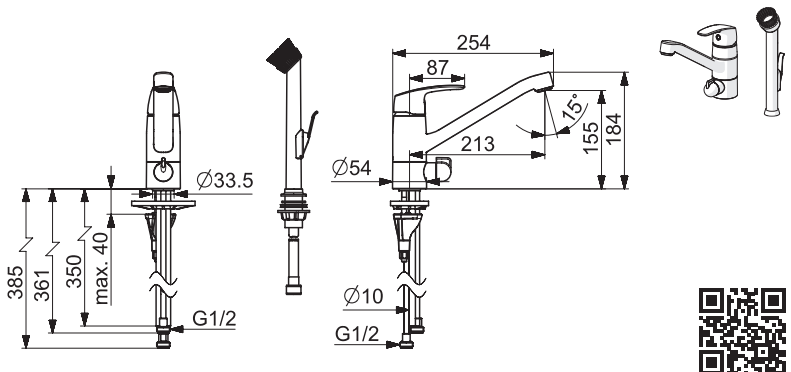
I (ISO 3822)
 EN 817
 50 - 1000 kPa
 0.17 l/s (300 kPa)
 100 kPa (0.1 l/s)
 max. +80°C



mpi.oras.com/1022S

1027S

I (ISO 3822)
 EN 817
 50 - 1000 kPa
 0.17 l/s (300 kPa)
 100 kPa (0.1 l/s)
 max. +80°C

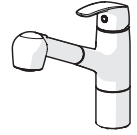
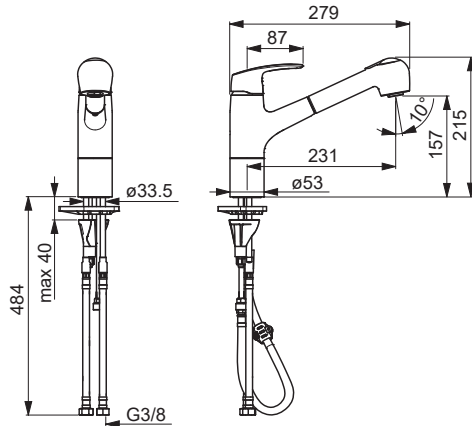


mpi.oras.com/1027S



1032F

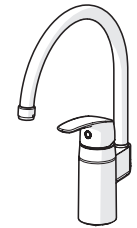
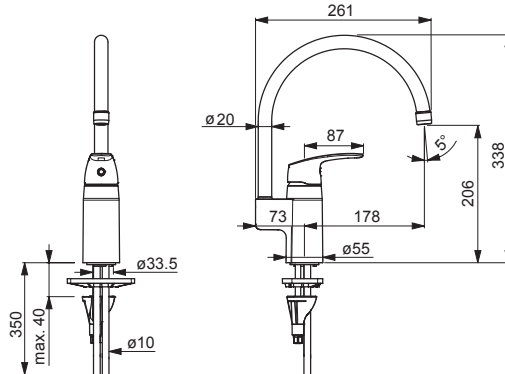
I (ISO 3822)
 EN 817
 50 - 1000 kPa
 0.16 l/s (300 kPa)
 120 kPa (0.1 l/s)
 max. +70°C



mpi.oras.com/1032F

1038

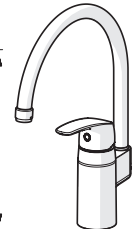
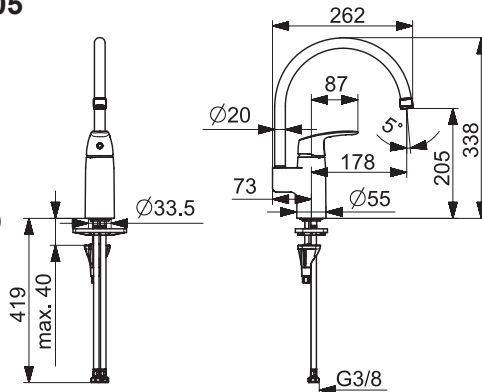
I (ISO 3822)
 EN 817
 50 - 1000 kPa
 0.27 l/s (300 kPa)
 160 kPa (0.2 l/s)
 max. +80°C



mpi.oras.com/1038

1038F, 1038F-104, 1038F-105

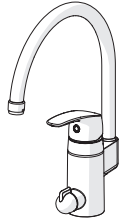
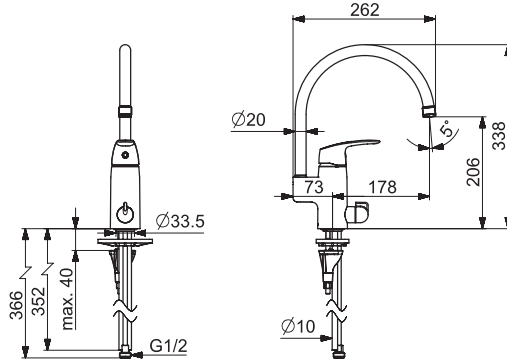
I (ISO 3822)
 EN 817
 50 - 1000 kPa
 0.23 l/s (300 kPa)
 0.054 l/s (300 kPa w/Controller)(-104)
 0.06 l/s (300 kPa w/Controller)(-105)
 240 kPa (0.2 l/s w/Reducer)(-104, -105)
 240 kPa (0.2 l/s)
 max. +70°C



mpi.oras.com/1038F

1039

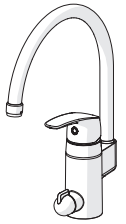
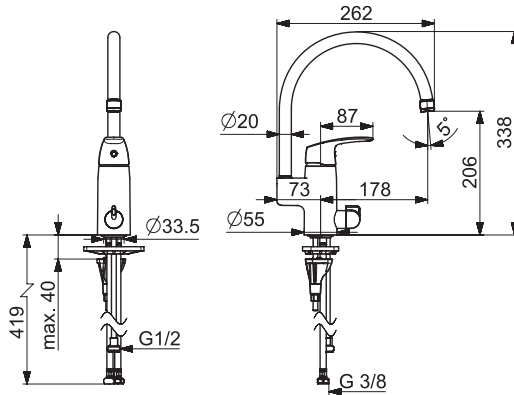
I (ISO 3822)
EN 817
50 - 1000 kPa
0.27 l/s (300 kPa)
160 kPa (0.2 l/s)
max. +80°C



mpi.oras.com/1039

1039F

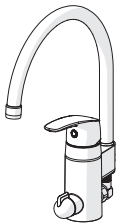
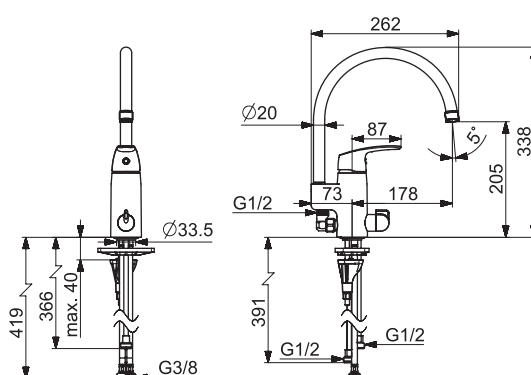
I (ISO 3822)
EN 817
50 - 1000 kPa
0.23 l/s (300 kPa)
240 kPa (0.2 l/s)
max. +70°C



mpi.oras.com/1039F

1057F

I (ISO 3822)
EN 817
50 - 1000 kPa
0.23 l/s (300 kPa)
240 kPa (0.2 l/s)
max. +70°C

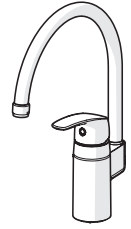
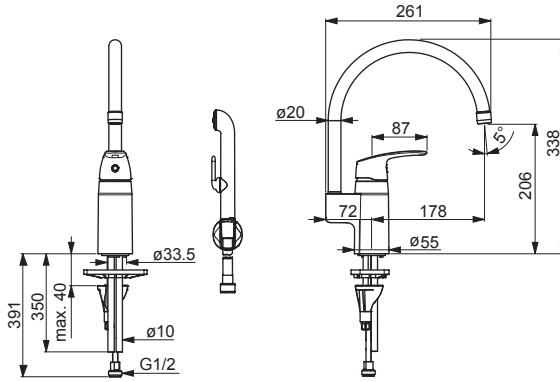


mpi.oras.com/1057F



1033

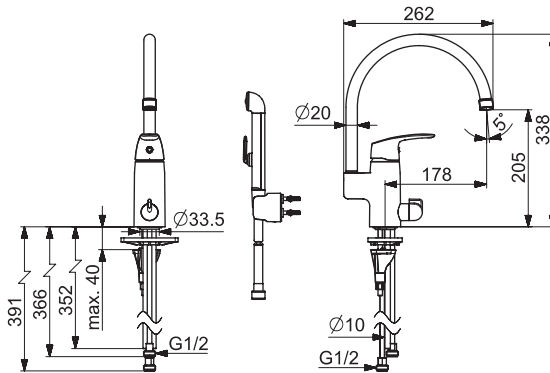
I (ISO 3822)
 EN 817, EN 1113
 50 - 1000 kPa
 0.16 l/s (300 kPa)
 110 kPa (0.1 l/s)
 max. +80°C



mpi.oras.com/1033

1034

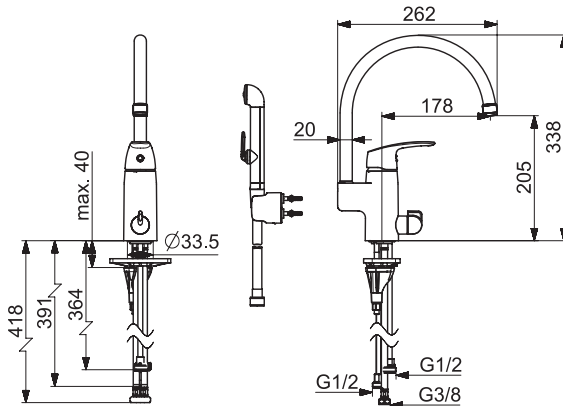
I (ISO 3822)
 EN 817, EN 1113
 50 - 1000 kPa
 0.16 l/s (300 kPa)
 115 kPa (0.1 l/s)
 max. +80°C



mpi.oras.com/1034

1034F

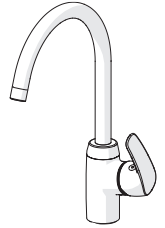
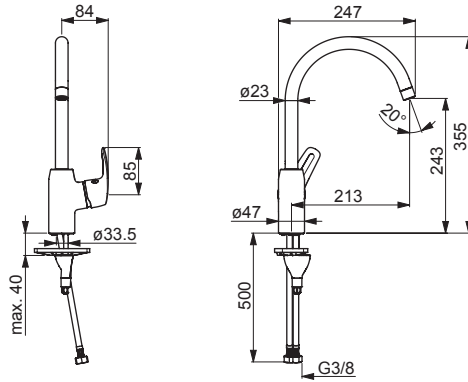
I (ISO 3822)
 EN 817
 50 - 1000 kPa
 0.14 l/s (300 kPa)
 160 kPa (0.2 l/s)
 max. +70°C



mpi.oras.com/1034F

1028F

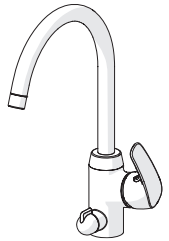
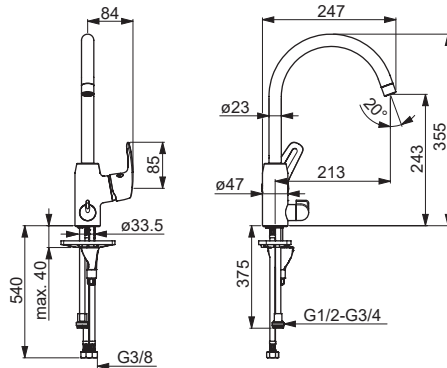
I (ISO 3822)
 EN 817
 50 - 1000 kPa
 0.21 l/s (300 kPa)
 85 kPa (0.1 l/s)
 max. +70°C



mpi.oras.com/1028F

1029F

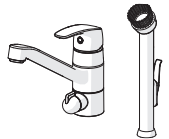
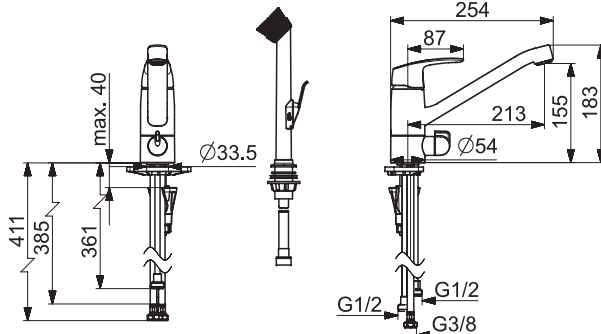
I (ISO 3822)
 EN 817
 50 - 1000 kPa
 0.19 l/s (300 kPa)
 85 kPa (0.1 l/s)
 max. +70°C



mpi.oras.com/1029F

1027FS

I (ISO 3822)
 EN 817
 50 - 1000 kPa
 0.14 l/s (300 kPa)
 160 kPa (0.2 l/s)
 max. +70°C



mpi.oras.com/1027FS



1030FS-104 , 1030FS-105

I (ISO 3822) Oras lab.

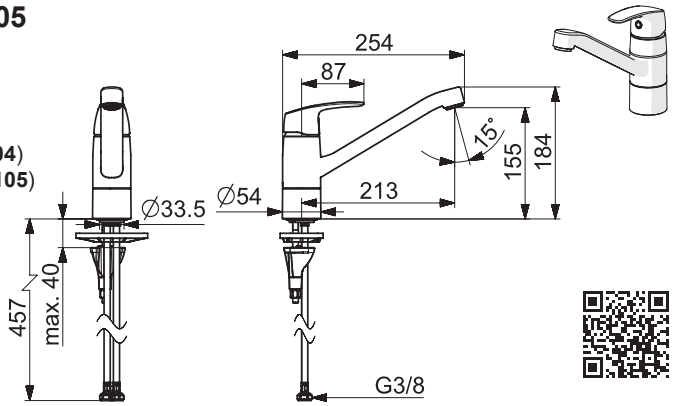
EN 817

50 - 1000 kPa

0.07 l/s (300 kPa w/Controller)(-104)

0.056 l/s (300 kPa w/Controller)(-105)

max. +80°C



mpi.oras.com/1030FS-104

1035FS-104 , 1035FS-105

I (ISO 3822) Oras lab.

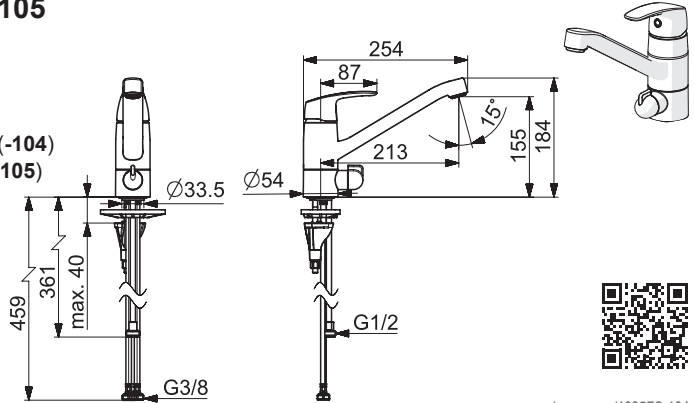
EN 817

50 - 1000 kPa

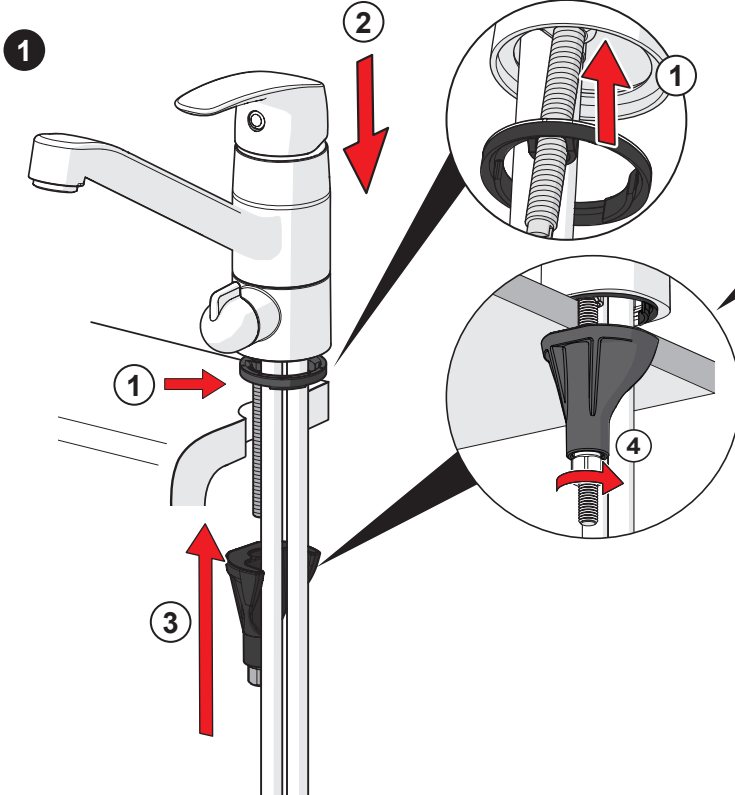
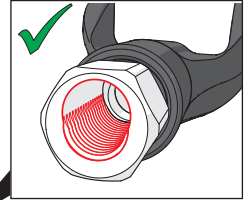
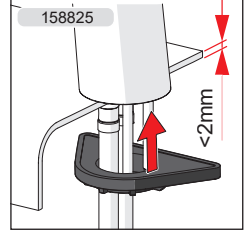
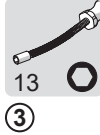
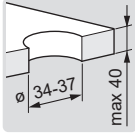
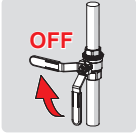
0.056 l/s (300 kPa w/Controller)(-104)

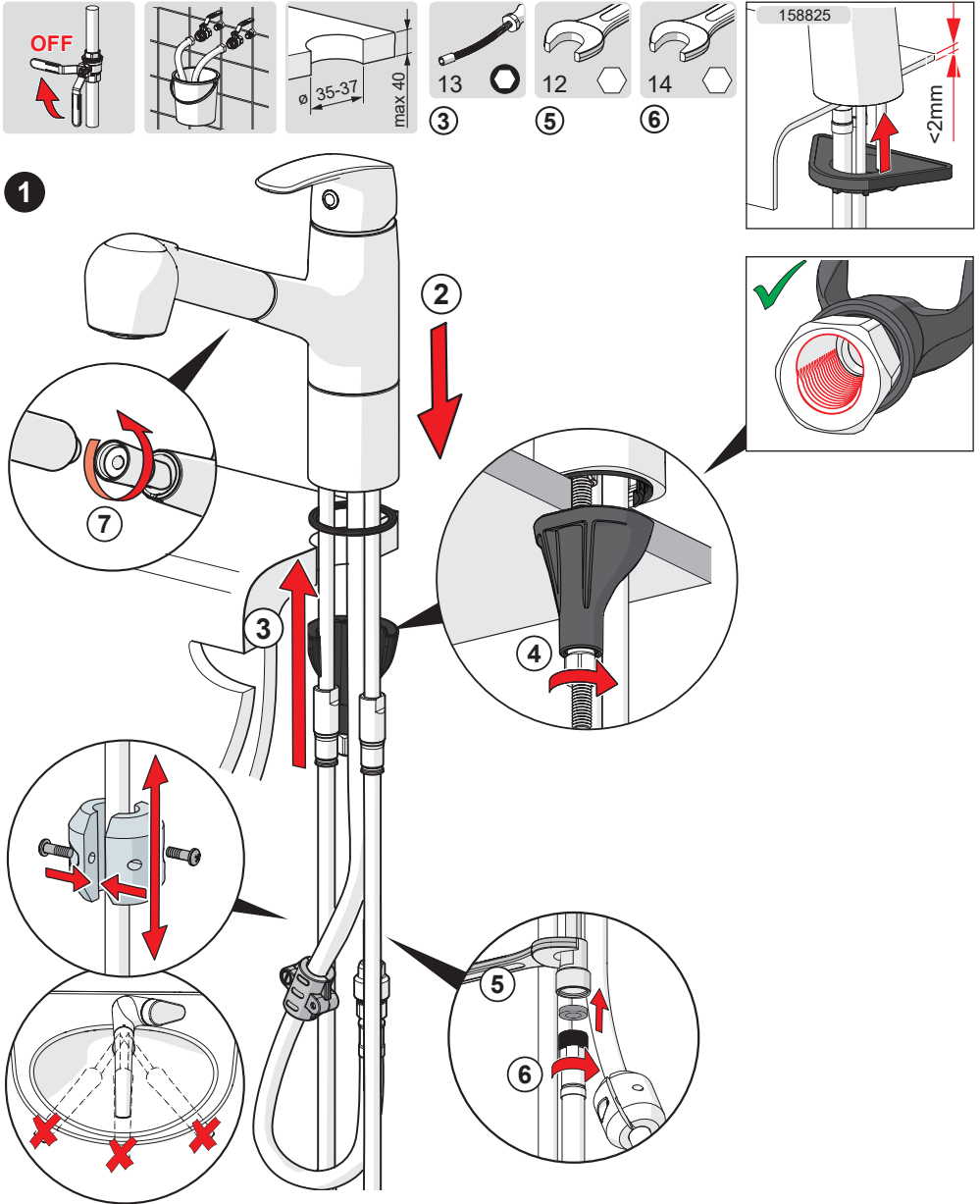
0.07 l/s (300 kPa w/Controller)(-105)

max. +80°C



mpi.oras.com/1035FS-104



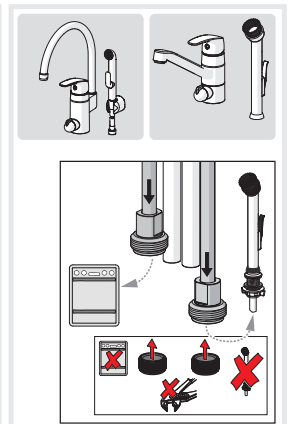
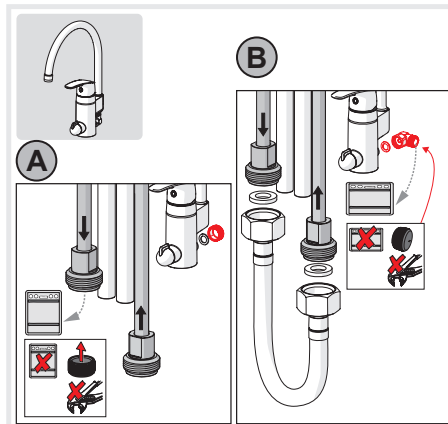
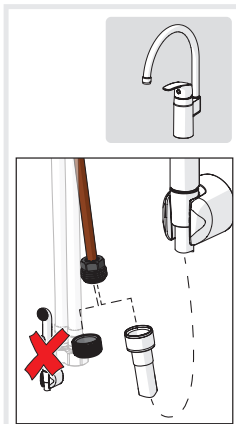
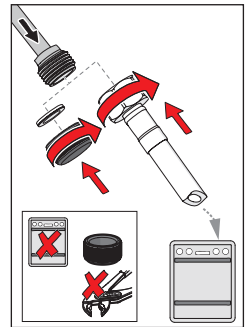
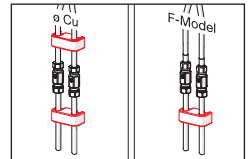
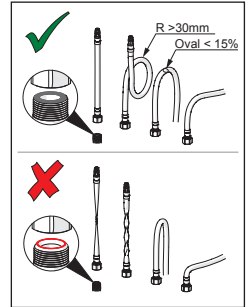
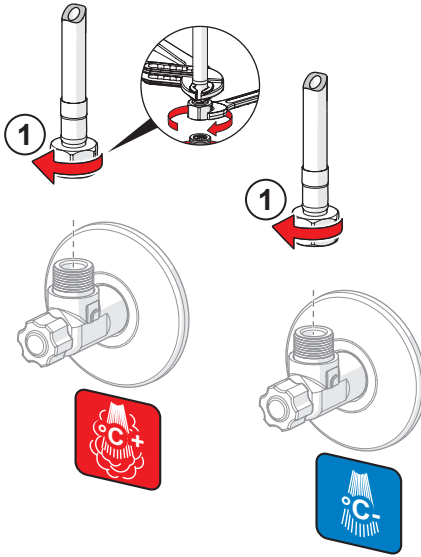


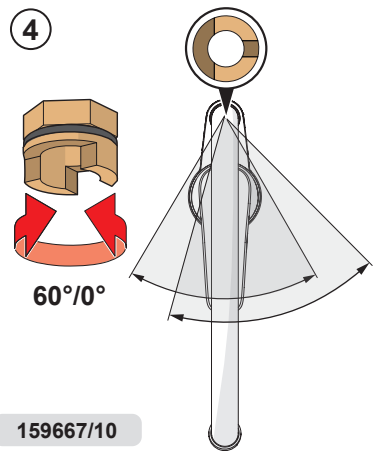
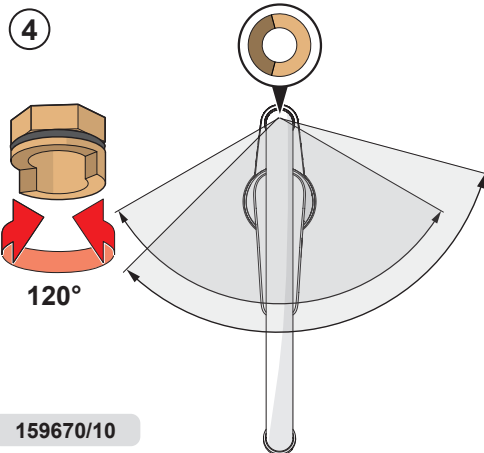
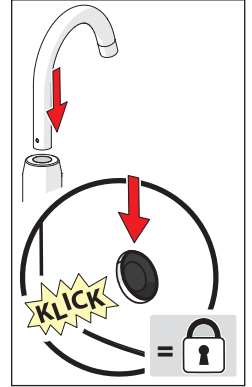
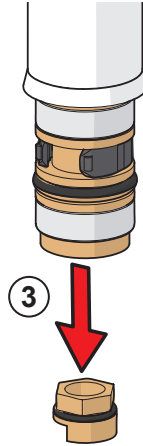
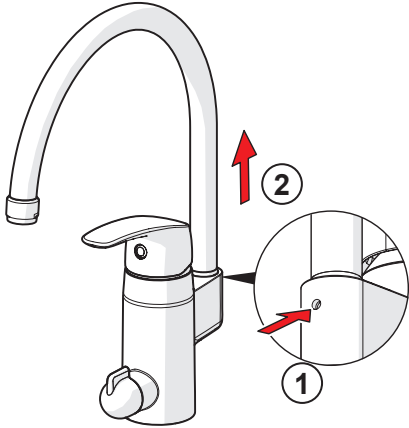
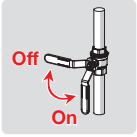


①

max.
1600 kPa

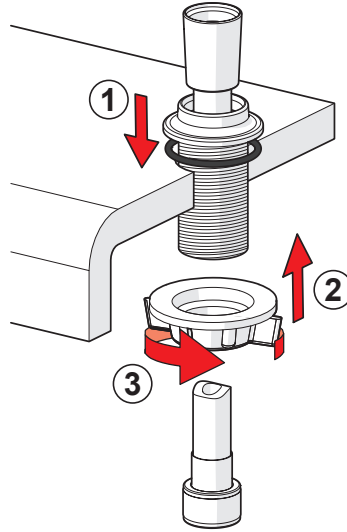
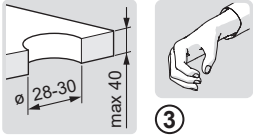
②



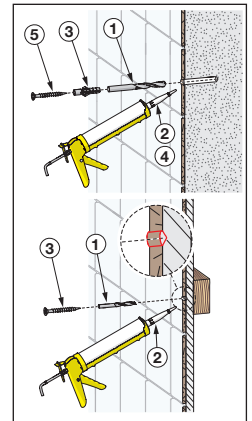
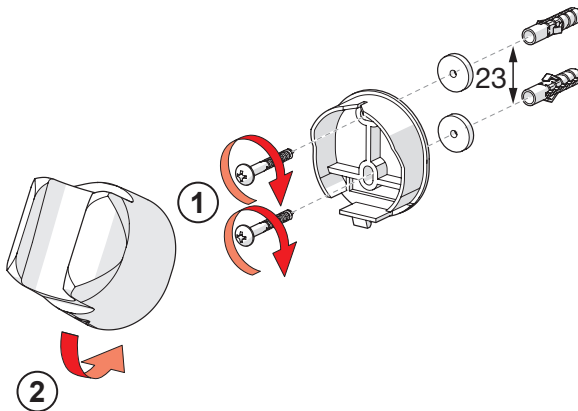


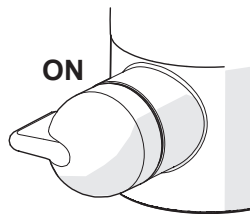
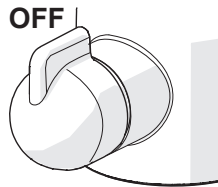
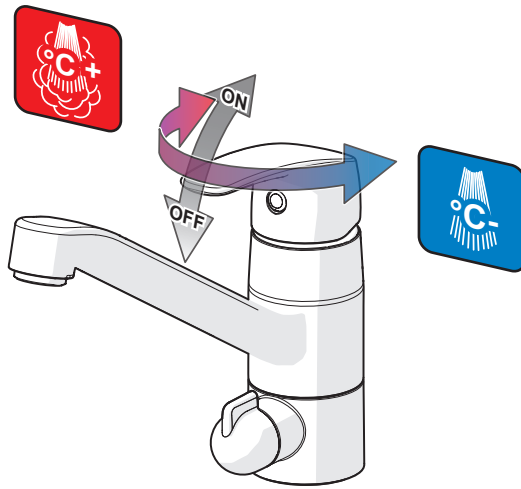
159670/10

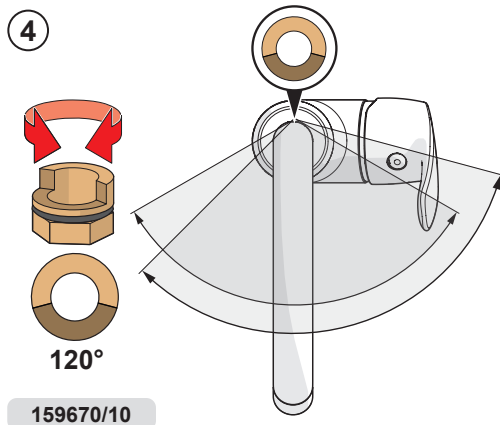
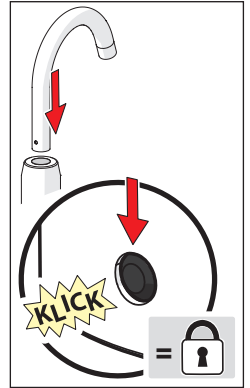
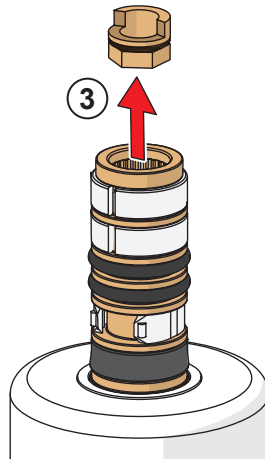
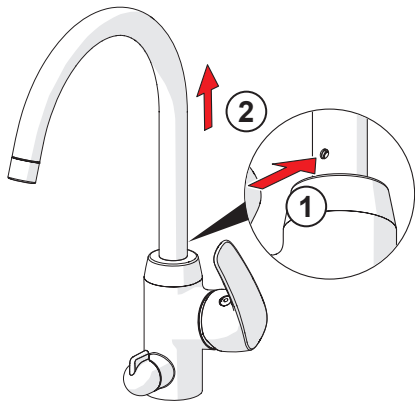
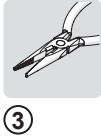
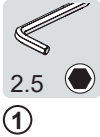
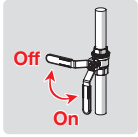
159667/10



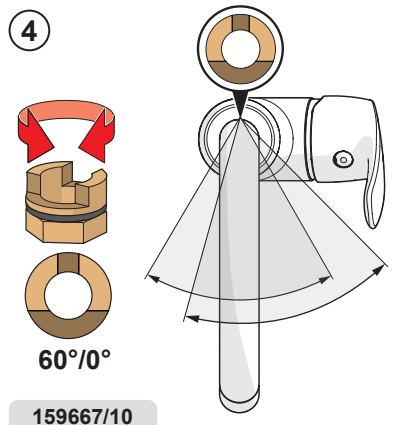
1



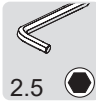
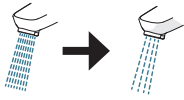




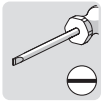
159670/10



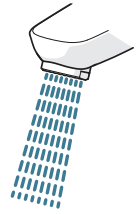
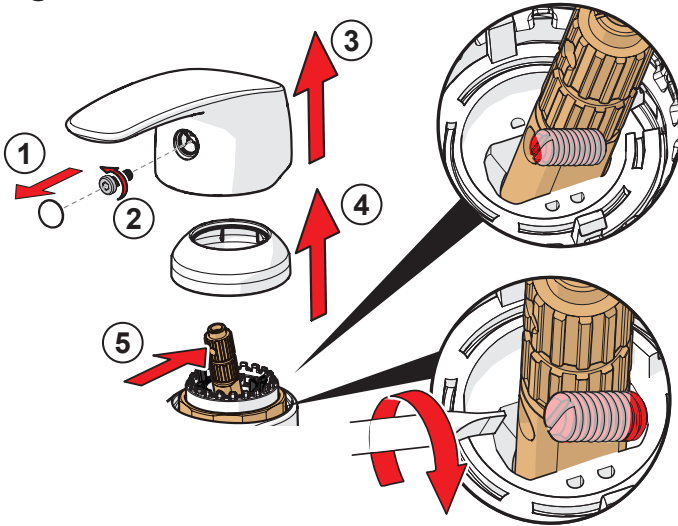
159667/10

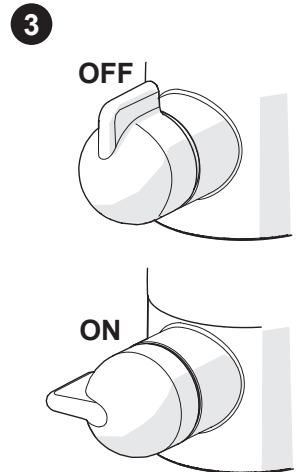
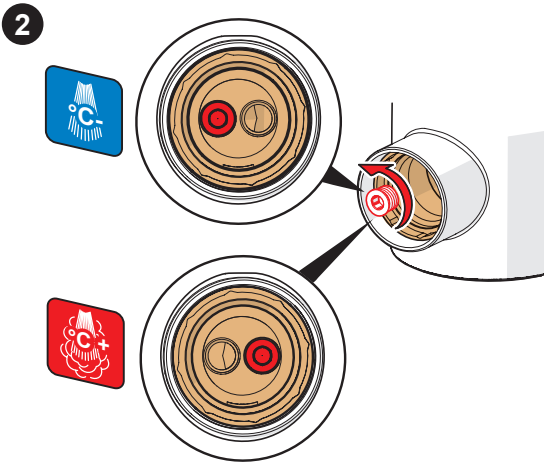
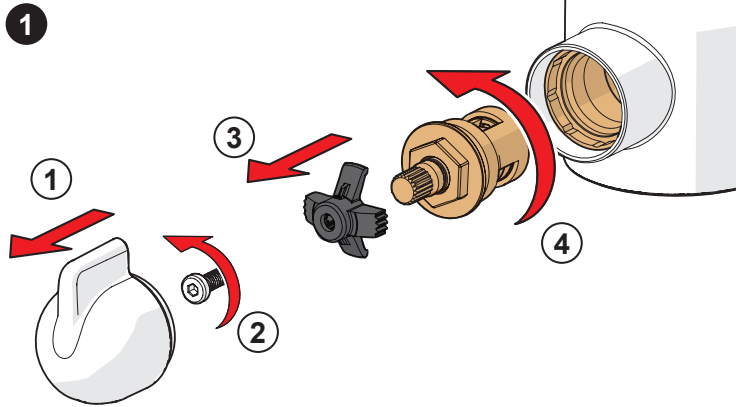
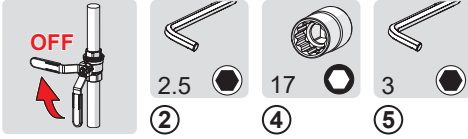


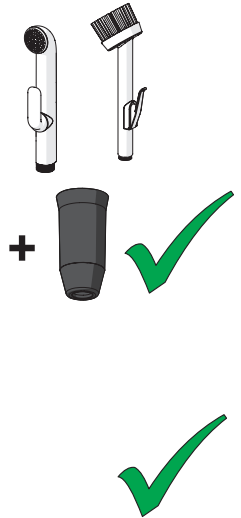
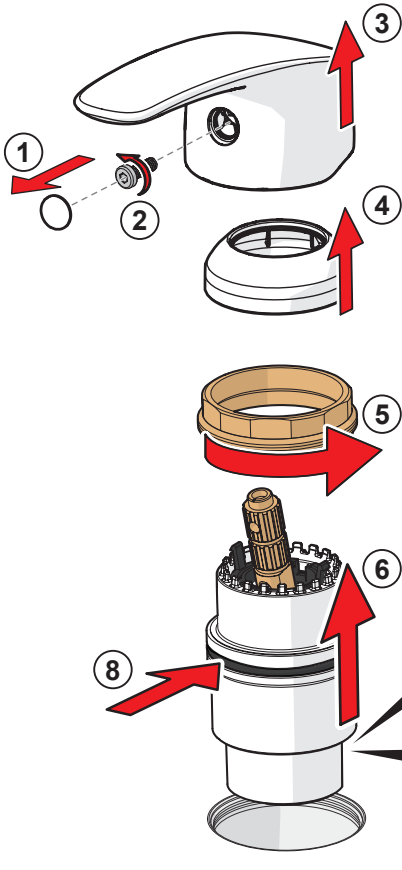
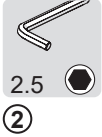
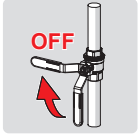
②



⑤









A1



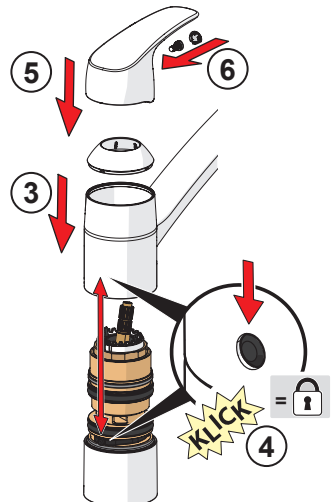
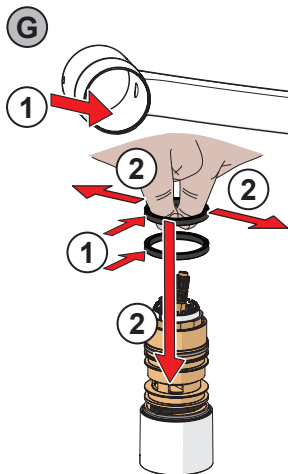
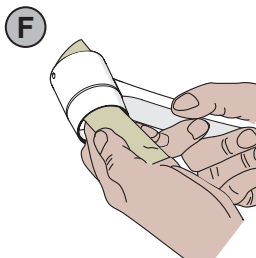
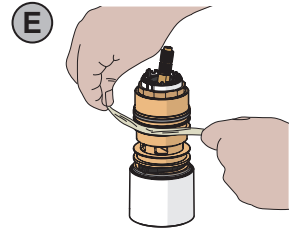
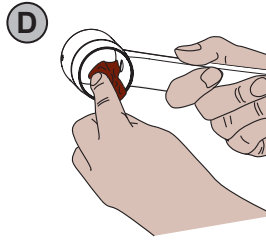
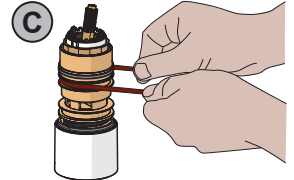
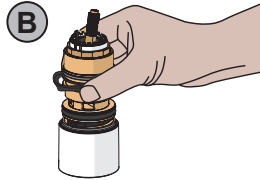
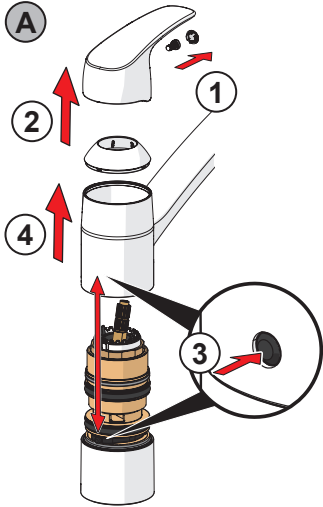
G1

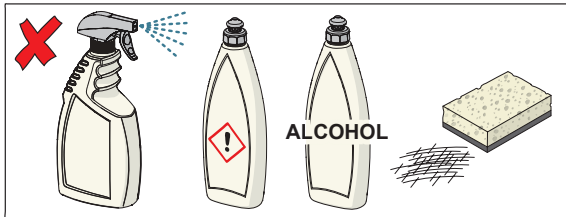
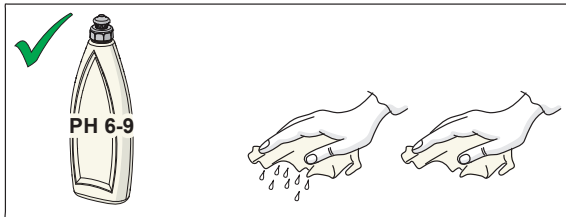
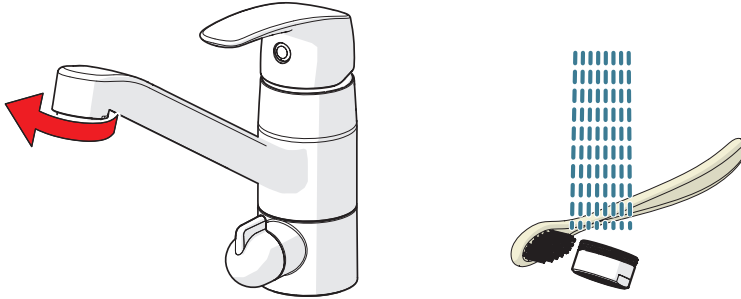


G2



G6





cleaning.oras.com

Oras Group is a powerful European provider of sanitary fittings: the market leader in the Nordics and a leading company in Continental Europe. The company's mission is to make the use of water easy and sustainable and its vision is to become the European leader of advanced sanitary fittings. Oras Group has two strong brands: Oras and Hansa.

The Group's head office is located in Rauma, Finland, and the Group has three manufacturing sites: Kralovice (Czech Republic), Olesno (Poland) and Rauma (Finland). Oras Group employs approximately 1,200 people in twenty countries. Oras Group is owned by Oras Invest, a family company and an industrial owner.

ORAS Ltd
Isometsäntie 2, P.O. Box 40
FI-26101 Rauma
Tel. +358 2 83 161
Fax +358 2 831 6300
info.finland@oras.com
www.oras.com



943426-02-22