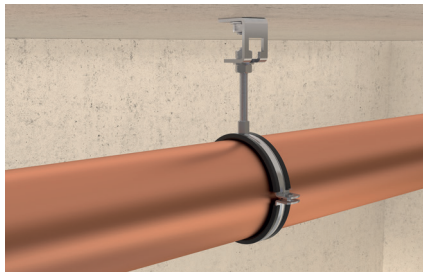


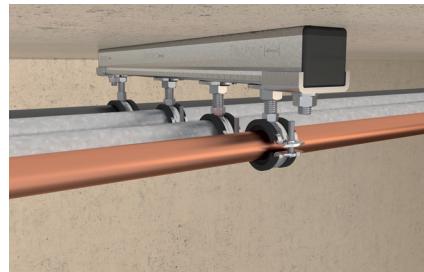
Pipe clamp FRS

The two-screw pipe clamp with combination connecting thread

2a



Height adjustable pipe installation



Drainage pipe assembly

Applications

- Secure fixing for pipes with threaded rods or stud screws (also when there are fire protection requirements)

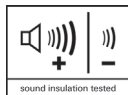
Certificates



Fire resistance classification
R120



MLAR R30



sound insulation tested

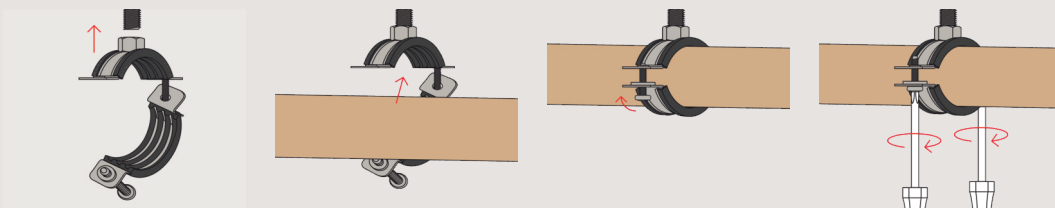
Advantages/benefits

- The fire test report guarantees independently tested functional safety.
- The two screws allow an easy adjustment to suit the outer pipe diameter.
- The combination connecting nut with thread M8/M10 enables optimised mounting choices.
- The sound insulation insert offers noise protection and prevents contact corrosion.
- The screw's safety feature ensures trouble-free installation.

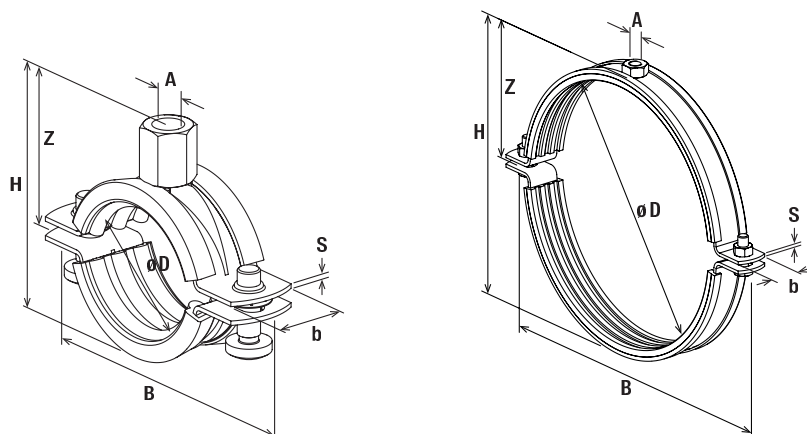
Properties

- Material: steel DC01 (material no. 1.0330) acc. to DIN EN 10130
- Zinc plating: electro zinc-plated, 5 - 9 µm
- Connecting nut: resistance welded, M8 / M10, SW 13
- Locking screw: flat head screw with combination recessed head
- Material sound insulation insert: EPDM; chlorine-free; silicone-free
- Sound insulation: for DIN 4109
- Temperature range: -40 °C to +100 °C
- Hardness: 55 ± 5° Shore A
- Fire behaviour: DIN 4102: Class B2

Installation FRS



Technical data



FRS M8/M10

FRS

Item	Item No.	Fire test report	Thread	Size	Clamping range	Width	Height	Width x thickness clamp band	Height Z	Locking screw	Max. recom. static load (centr. tension) N _{recom.} [kN]	Sales unit [pcs]
			A	[inch]	D [mm]	B [mm]	H [mm]	b x s [mm]	Z [mm]			
FRS 12 - 15 M8/M10	510969	X	M 8 / M 10	1/4"	12 - 15	55	39	20 x 1.25	31	M 6	1.00	100
FRS 15 - 19 M8/M10	042535	X	M 8 / M 10	3/8"	15 - 19	59	43	20 x 1.25	29	M 6	1.00	100
FRS 20 - 24 M8/M10	042536	X	M 8 / M 10	1/2"	20 - 24	65	48	20 x 1.25	32	M 6	1.00	100
FRS 25 - 30 M8/M10	042537	X	M 8 / M 10	3/4"	25 - 30	72	54	20 x 1.25	35	M 6	1.00	100
FRS 32 - 37 M8/M10	042538	X	M 8 / M 10	1"	32 - 37	77	61	20 x 1.25	38	M 6	1.00	100
FRS 40 - 45 M8/M10	042554	X	M 8 / M 10	1 1/4"	40 - 45	89	69	20 x 1.25	42	M 6	1.00	50
FRS 48 - 54 M8/M10	510970	X	M 8 / M 10	1 1/2"	48 - 54	99	78	20 x 1.25	46	M 6	1.00	50
FRS 55 - 61 M8/M10	042555	X	M 8 / M 10	2"	55 - 61	105	85	20 x 1.25	50	M 6	1.00	50
FRS 63 - 67 M8/M10	091488	X	M 8 / M 10	—	63 - 67	111	91	20 x 1.25	53	M 6	1.00	50
FRS 72 - 80 M8/M10	091489	X	M 8 / M 10	2 1/2"	72 - 80	125	104	20 x 2.0	60	M 6	1.50	25
FRS 87 - 92 M8/M10	091505	X	M 8 / M 10	3"	87 - 92	137	116	20 x 2.0	66	M 6	1.50	25
FRS 95 - 103 M8/M10	545649	X	M 8 / M 10	—	95 - 103	149	130	25 x 2,0	73	M 6	2.00	25
FRS 108 - 116 M8/M10	091506	X	M 8 / M 10	4"	108 - 116	164	140	25 x 2,0	78	M 6	2.0	20
FRS 121 - 128 M8/M10	079456	X	M 8 / M 10	—	121 - 128	176	152	25 x 2.5	84	M 6	2.50	10
FRS 133 - 141 M8/M10	079457	X	M 8 / M 10	5"	133 - 141	187	165	25 x 2.5	90	M 6	2.50	10
FRS 159 - 165 M8/M10	079458	X	M 8 / M 10	—	159 - 165	211	198	25 x 2.5	102	M 6	2.50	8
FRS 165 - 168 M8/M10	079459	X	M 8 / M 10	6"	165 - 168	225	192	25 x 2.5	104	M 6	2.50	8
FRS 200-206 M10	539660	—	M 10	—	200 - 206	256	227	25 x 2.5	118	M 8	2.75	15
FRS 210-219 M10	558335	—	M 10	—	210 - 219	262	240	25 x 2.5	124	M 8	2.75	15

2a