



Quick closing valve 901102

DESCRIPTION

Release by either hydraulic fluid, pneumatic signal or manually.
Integrated fire release safety.
Face to face according to EN 558, series 8.

APPLICATION

Quick closing application in accordance with type approvals.

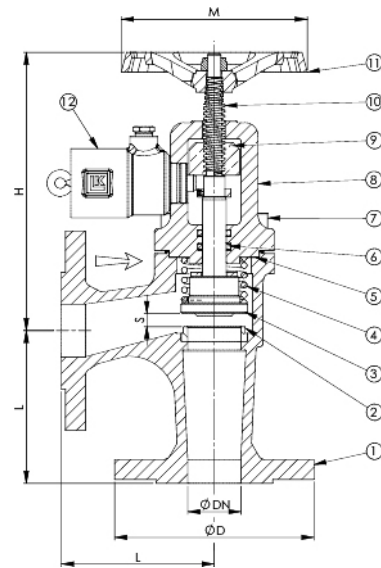
OPTIONS

Available flange drilling: ANSI 150. Microswitch for indication of position. Other materials on request. For JIS standard see product 501102.



No.	Part	Material
1	Body	Nodular cast iron EN-JS1030 (GGG40)
2	Seat ring	Stainless steel 1.4301 (AISI 304)
3	Disc	Stainless steel 1.4301 (AISI 304)
4	Spring, release unit	Spring steel SH (1084 ASTM A713)
5	Gasket	NBR bonded aramide
6	O-ring	FPM (Viton)
7	Screw MC6S	8.8 FZB
8	Bonnet	Nodular cast iron EN-JS1030 (GGG40)
9	Setting nut	Brass CW617N (Ms 58)
10	Stem	Stainless steel 1.4301 (AISI 304)
11	Handwheel	Cast iron EN-JL1040 (GG25)
12	Release cylinder	Brass CW614N (Ms 58)

DN	Max. working pressure (bar)	
	up to 120°C	180°C
15-150	16	10
200-250	10	6



DN	Connection	Pressure rating	L1	D	H	S	M	Kg
15	PN 16	PN 16	90	95	169	7,5	120	5
20	PN 16	PN 16	95	105	170	7,5	120	5,6
25	PN 16	PN 16	100	115	179	8	120	6,4
32	PN 16	PN 16	105	140	186	8	120	8,3
40	PN 16	PN 16	115	150	205	10	140	9,9
50	PN 16	PN 16	125	165	204	12,5	140	14
65	PN 16	PN 16	145	185	233	16,5	140	18
80	PN 16	PN 16	155	200	252	20	160	25
100	PN 16	PN 16	175	220	278	25	160	41
125	PN 16	PN 16	200	250	295	32	200	47
150	PN 16	PN 16	225	285	335	37,5	200	63
200	PN 10	PN 10	275	340	458	50	400	150
250	PN 10	PN 10	325	405	463	63	400	230

All measurements in mm. Flanges according to ISO 7005. Weights are approximations.