

PRODUCT SPECIFICATIONS EVMS(.)1-3-5-10-15-20

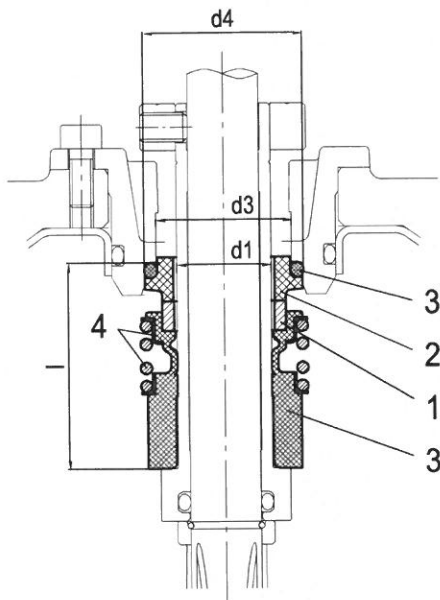
		PUMP																		
Version		EVMSG						EVMS						EVMSL						
Operating range	Nominal flow rate (m³/h)	1	3	5	10	15	20	1	3	5	10	15	20	1	3	5	10	15	20	
	Maximum working pressure	1.6/2.5 MPa (16 bar/25 bar)																		
	Liquid temperature range	-30° to 140°C																		
Key Components Material	Impeller	EN 1.4301 (AISI 304)												EN 1.4401 (AISI 316)						
	Intermediate casing	EN 1.4301 (AISI 304)																		
	Liner ring	EN 1.4301 (AISI 304) + PPS												EN 1.4401 (AISI 316) + PPS						
	Bottom casing	Cast Iron						EN 1.4301 (AISI 304)						EN 1.4401 (AISI 316)						
	Casing cover	EN 1.4301 (AISI 304)																		
	Shaft	EN 1.4301 (AISI 304)	EVMSG / EVMS 1-3-10 . EVMSG / EVMS 5-15-20 (depend on models)																	
		EN 1.4404 (AISI 316L)	EVMSL 1-3-10 . EVMSL 5-15-20 (depend on models)																	
		EN 1.4462 (AISI 329A)	EVMSG / EVMS / EVMSL 5-15-20 (depend on models)																	
	Shaft sleeve bearing	Tungsten carbide																		
	Shaft Seal	See the shaft seal options																		
	O-ring	EPDM	●	●	●	●	●	●	●	●	●	●	●	●	●	●	●	●	●	●
		FPM	○	○	○	○	○	○	○	○	○	○	○	○	○	○	○	○	○	○
	Outer casing	EN 1.4301 (AISI 304)												EN 1.4404 (AISI 316L)						
Motor Bracket	Cast Iron																			
Tie rod	Galvanized steel 6.8 strength class ISO 898/1																			
Coupling	up to 4 kW	Die cast aluminium																		
	from 5.5 kW	Cast Iron																		
Base	Cast Iron									Die cast aluminium										
	Oval flange up to 16 bar	●	●	●	●	●	●	●	●	●	●	●	●	●	●	●	●	●	●	
Round flange (DIN)	up to 16 bar	○	○	○	○	○	○	○	○	○	○	○	○	○	○	○	○	○	○	
	from 16 bar to 25 bar	●	●	●	●	●	●	●	●	●	●	●	●	●	●	●	●	●	●	
Loose round flange (DIN)	up to 16 bar									○	○	○	○	○	○	○	○	○		
	from 16 bar to 25 bar									○	○	○	○	○	○	○	○	○	○	
Victaulic®	up to 16/25 bar									○	○	○	○	○	○	○	○	○	○	
Clamp connection	up to 16/25 bar									○	○	○	○	○	○	○	○	○	○	

Legend: ● Standard ○ Options

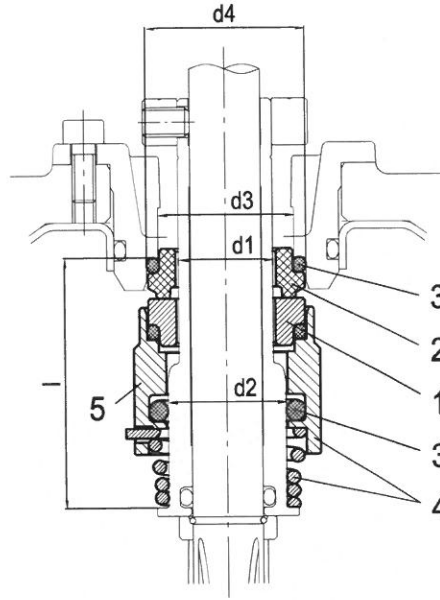
		MOTOR		
Power Source	Frequency	50 Hz		
	Phase	Single Phase	Three Phase	
	Rotation speed	~ 2900 min ⁻¹		
	Power rating	0.37 + 2.2 kW	0.37 + 18.5 kW	
		0.5 + 3.0 HP	0.5 + 25 HP	
Voltage	230 ± 10% V	230/400 ± 10% V (up to 4 kW) 400/690 ± 10% V (above 5.5 kW)		
Type	Type	Electric - TEFC		
	Efficiency Level	from 0.37 up to 2.2 kW	- : from 0.37 up to 0.55 kW IE3 : above 0.75 kW	
	No° of poles	2		
	Protection degree	IP 55		
	Insulation Class	F (temperature rise class B)		
Others	Thermal Protection	PTC is available for the above 1.5 kW included		
	Casing Material	Aluminium		
	Flange mount (IEC motor)	IM B14 up to 4 kW IM B5 above 5.5 kW		

SHAFT SEAL
EVMS(.)1-3-5-10-15-20

1. Shaft Seal



up to 16 bar
Cartridge Unbalanced type



from 16 to 25 bar
Cartridge Balanced type

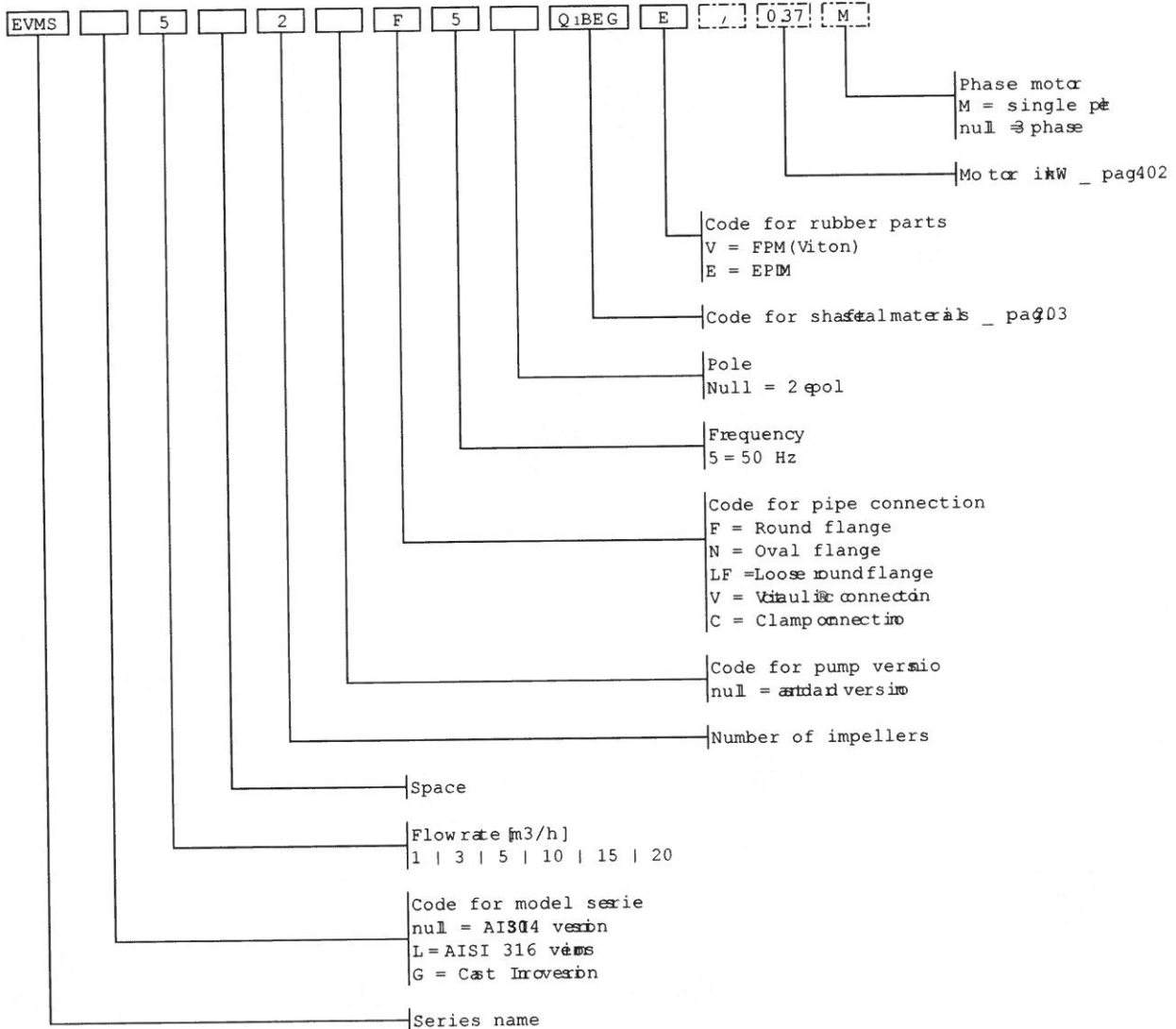
2. Type of Shaft Seal and Dimensions [mm]

Pump model	Max operating pressure	Max operating temperature	Shaft seal type		Shaft seal material							Type Key	
			Unbalanced	Balanced	1 Rotating Part	Code	2 Stationary Part	Code	3 Elastomers	Code	4 Compression spring		5 Collar
up to 16 bar	-30°C to +120°C	●			SiC	(Q1)	Carbon	(B)	EPDM	(E)	AISI 316	(G)	Q1BEG
	-30°C to +80°C	○			SiC	(Q1)	Carbon	(B)	FPM	(V)	AISI 316	(G)	Q1BVG
	-30°C to +140°C		○		SiC with graphite	(Qg)	SiC	(Q1)	EPDM	(E)	AISI 316	(G)	HQgQ1EG
	-30°C to +80°C		○		SiC with graphite	(Qg)	SiC	(Q1)	FPM	(V)	AISI 316	(G)	HQgQ1VG
from 16 to 25 bar	-30°C to +140°C		○	●	SiC	(Q1)	Carbon	(B)	EPDM	(E)	AISI 316	(G)	HQ1BEG
	-30°C to +80°C		○	●	SiC	(Q1)	Carbon	(B)	FPM	(V)	AISI 316	(G)	HQ1BVG
	-30°C to +140°C		○		SiC with graphite	(Qg)	SiC	(Q1)	EPDM	(E)	AISI 316	(G)	HQgQ1EG
	-30°C to +80°C		○		SiC with graphite	(Qg)	SiC	(Q1)	FPM	(V)	AISI 316	(G)	HQgQ1VG

● standard ○ options

Pump model	Shaft seal type		Max operating pressure	d1 [[mm]]	d2 [[mm]]	d3 [[mm]]	d4 [[mm]]	l [[mm]]
EVMS 1/3/5	Cartridge	Unbalanced	16 bar	16	-	23	27	35
		Balanced	25 bar		20			42.5
EVMS 10/15/20	Cartridge	Unbalanced	16 bar	20	-	29	35	37.5
		Balanced	25 bar		24			45

TYPE KEY EVMS(.)1-3-5-10-15-20



Example for pump without motor:
EVMS5 2F5Q1BEGE

Example for pump with motor:
EVMS5 2F5Q1BEGE/0.37M

NAMEPLATE

P.N.A. 01234560221		CE	
EBARA Via Campo Sportivo, 30 36023 Cles (TN) - ITALY			
MADE IN ITALY			
TYPE	①		
Q	②	④	⑤
Hmax	m	Hmin	m
P2	⑥	⑧	⑨
KW	Hz	min ⁻¹	
HP	⑦	⑩	
MEI >	⑪	Hyd. eff.	⑫
			%

- 1) "TYPE" Pump model
- 2) "Q" Indicates upper and lower flow rate liviths
- 3) "H" Indicates head liviths corresponding to minimum and maximum flow rate
- 4) "Hmax" Maximum head
- 5) "Hmin" Minimum head
- 6) "P2" Rated power of the motor (output at shaft)
- 7) "HP" Rated power of the motor expressed in HP (Horse Power)
- 8) "Hz" Frequency
- 9) "min-1" Speed of rotation
- 10) "P/N" Pump item number
- 11) "MEI" Index of the pump's quality in relation to its efficiency
- 12) "Hyd. Eff." Hydraulic efficiency of the pump