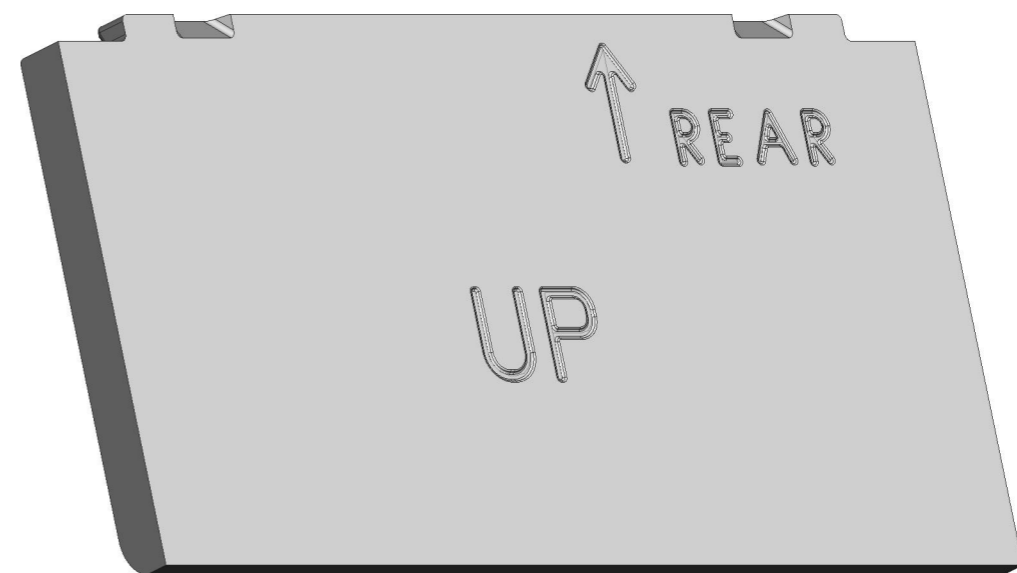
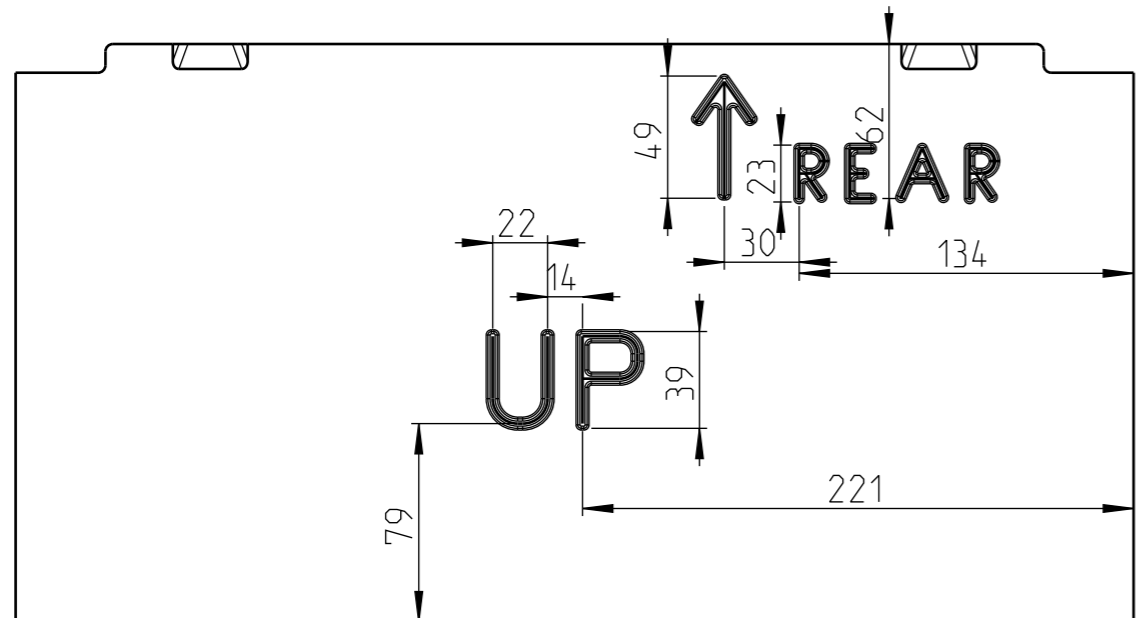
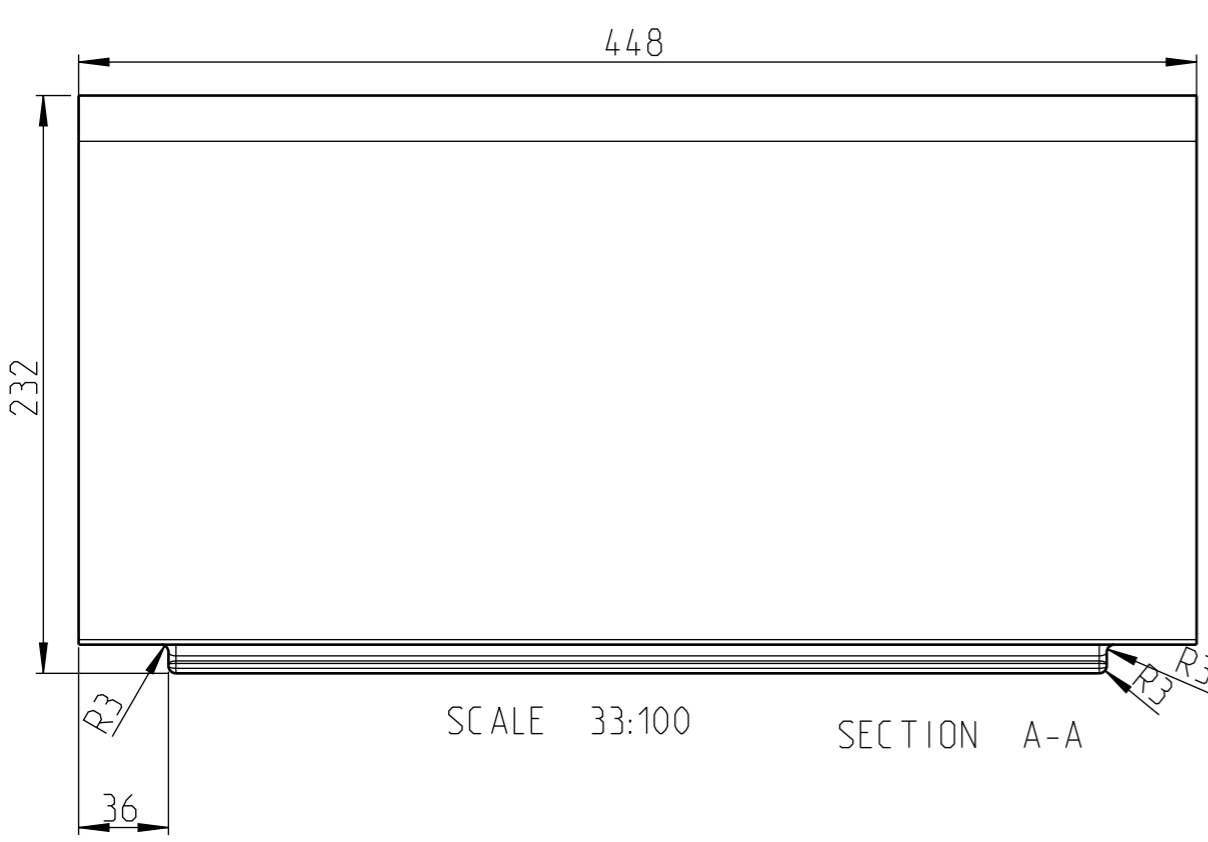
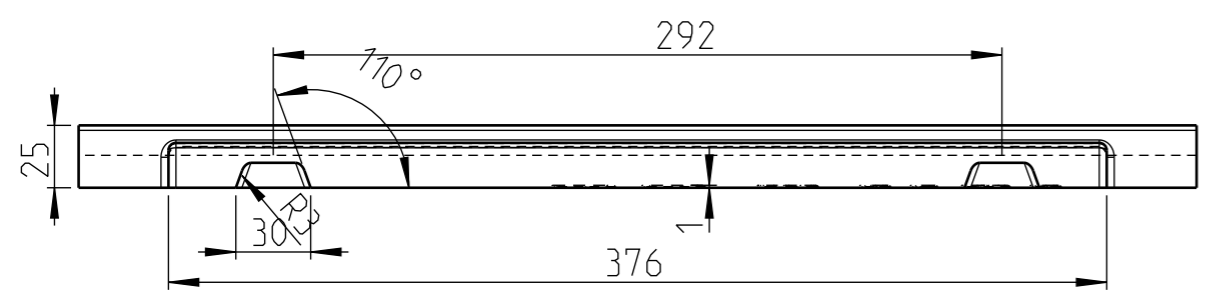


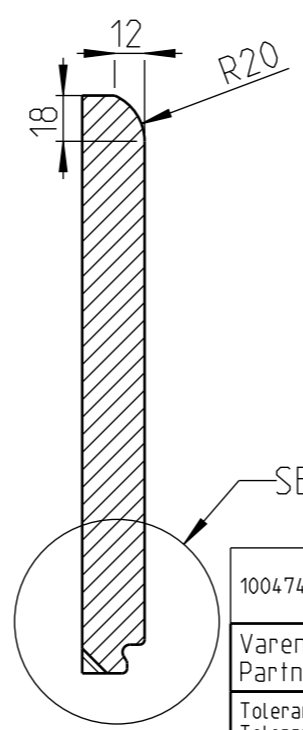
10047495	1	HVELV F 303 BAFFLE F 303	3	10047877	U02	Vermiculite	V 1100 600kg/m3
10047494	1	BRENNPLATE HØYRE F 303 BURN PLATE RIGHT F 303	2	10047877	U02	Vermiculite	V 1100 600kg/m3
10047493	1	BRENNPLATE VENSTRE F 303 BURN PLATE LEFT F 303	1	10047877	U02	Vermiculite	V 1100 600kg/m3
10047877		Vermikulittdeler F 303 Vermiculite parts F 303				..	
Varenummer Partnumber	Ant. No.of	Gjenstand Partname	Pos.nr Pos.no	Tegn.nr Dwg. no	Rev.	Materiale Material	Merknad Notes
Toleranser hvor annet ikke er angitt Tolerances where not specified:		F 303		Scale / Size		Constructed by. Date	
.. NS-ISO 2768-1, 1.utg.okt1990		Vermikulittdeler F 303		1:4/A3		ME 11.04.2014	
-	-	-	-	Vermiculite parts F 303		Traced by. Date	
-	-	-	-			ME 05.06.2014	
-	-	-	-			Checked by. Date	
-	-	-	-			..	
-	-	-	-			Katalognr./Catalog.no.	
-	-	-	-			10047877	
-	-	-	-			Tegn_nr/drw.no	
-	-	-	-			Revision	
-	-	-	-			Side/Page	
Rev	Dato	Rev.by	Endr.mel.	Jøtul AS, P.O.box 1411, N-1602 Fredrikstad, Norway, Tel +47 69359000 CONFIDENTIAL. This document contains confidential information and is the property of Jøtul AS No disclosure is permitted without written approval by Jøtul AS. Violation will be prosecuted		10047877	
						U02	
						1 of 4	



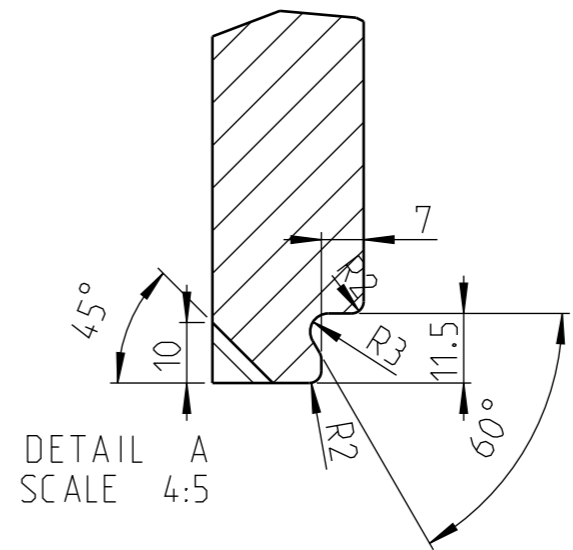
SCALE 33:100



SCALE 33:100 SECTION A-A



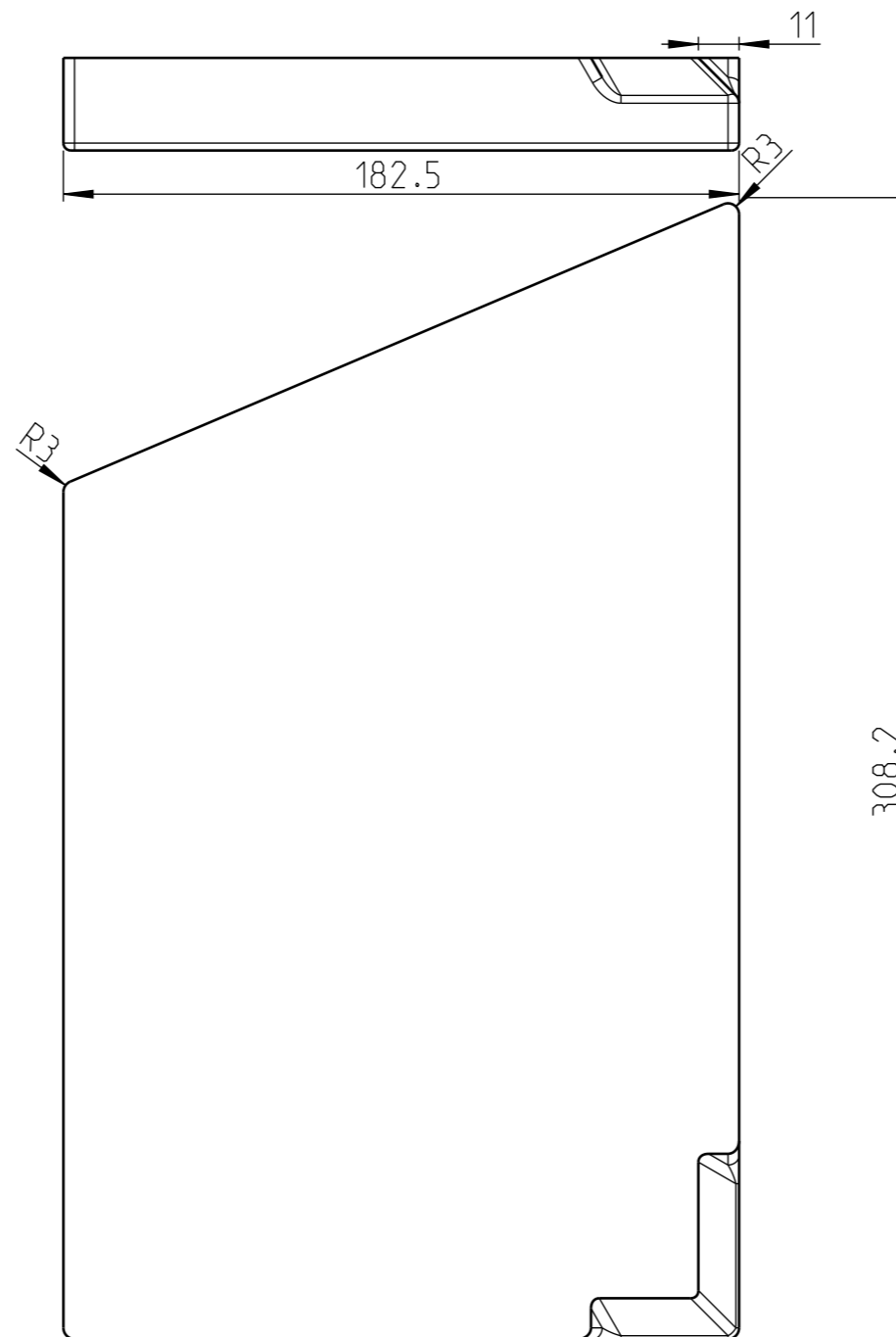
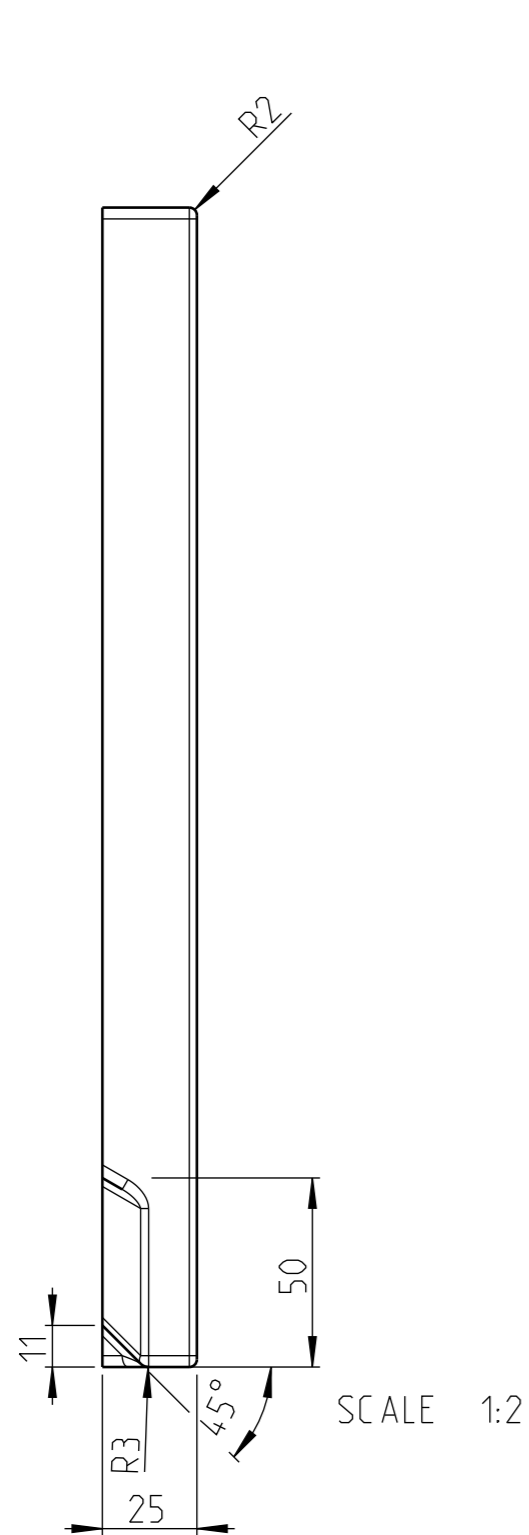
SEE DETAIL A



DETAIL A SCALE 4:5

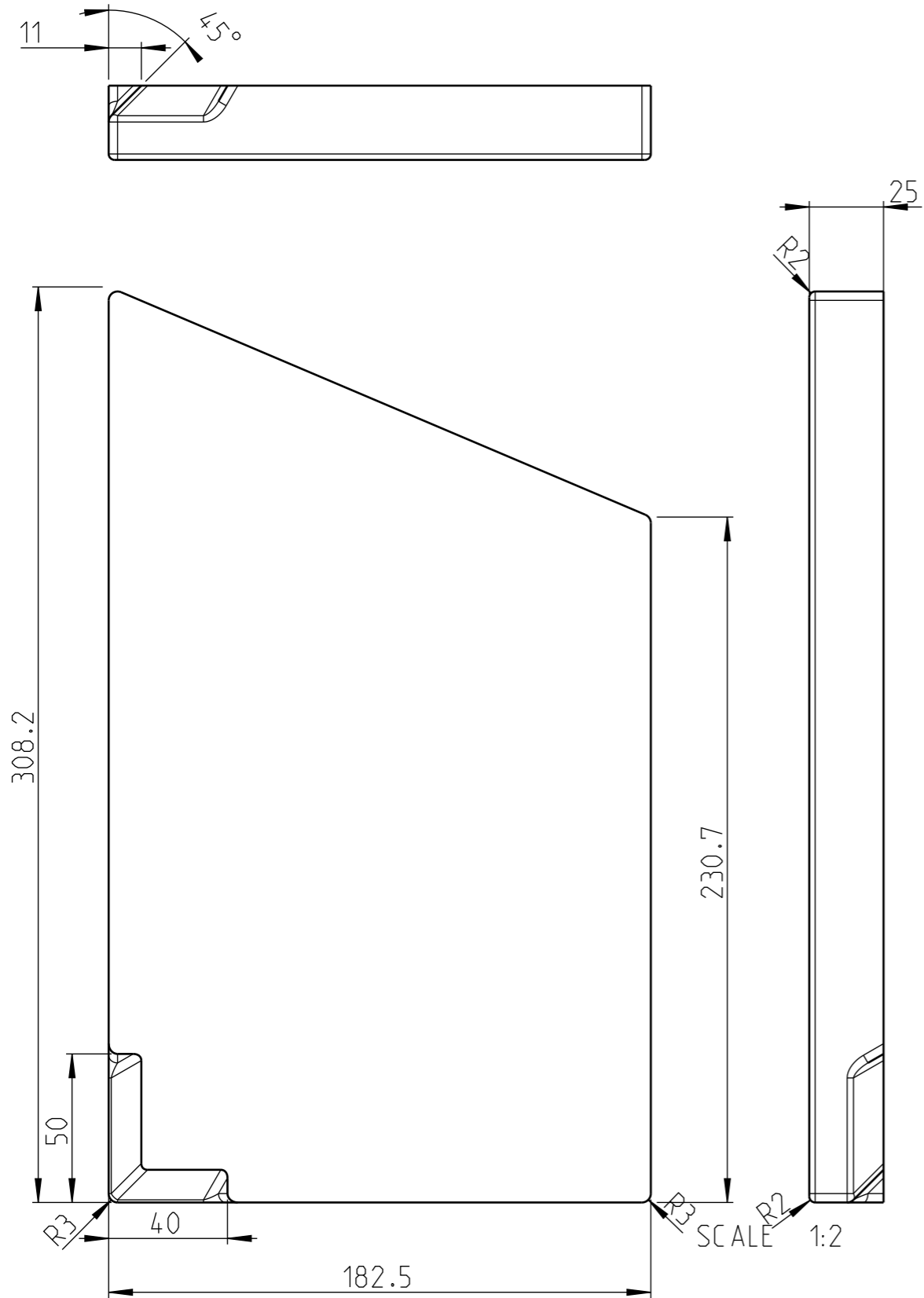
weight: 1,5 kg

10047495		HVELV F 303				Vermiculite	V 1100 600kg/m3
		BAFFLE F 303					
Varenummer Partnumber	Ant. No.of	Gjenstand Partname	Pos.nr Pos.no	Tegn.nr Dwg. no	Rev.	Materiale Material	Merknad Notes
Toleranser hvor annet ikke er angitt Tolerances where not specified:		F 303				Scale / Size 2:5/A3	Constructed by. Date ME 11.04.2014
.. NS-ISO 2768-1. 1.utg.okt1990		HVELV F 303					Traced by. Date ME 05.06.2014
-	-	BAFFLE F 303					Checked by. Date ..
-	-					Katalognr./Catalog.no.	
-	-					10047495	
-	-					Tegn_nr/drw.no	Revision
-	-					10047877	U02
Rev	Dato	Rev.by	Endr.mel.			Side/Page	2 of 4
Jøtul AS, P.O.box 1411, N-1602 Fredrikstad, Norway, Tel +47 69359000 CONFIDENTIAL. This document contains confidential information and is the property of Jøtul AS No disclosure is permitted without written approval by Jøtul AS. Violation will be prosecuted							




weight: 0,7 kg

10047493		BRENNPLATE VENSTRE F 303 BURN PLATE LEFT F 303				Vermiculite	V 1100 600kg/m3	
Varenummer Partnumber	Ant. No.of	Gjenstand Partname	Pos.nr Pos.no	Tegn.nr Dwg. no	Rev.	Materiale Material	Merknad Notes	
Toleranser hvor annet ikke er angitt Tolerances where not specified:		F 303	Scale / Size		Constructed by. Date			
.. NS-ISO 2768-1, 1.utg.okt1990		BRENNPLATE VENSTRE F 303	1:4/A3		ME 11.04.2014			
-	-	-	BRENPLATE VENSTRE F 303		Traced by. Date			
-	-	-	BURN PLATE LEFT F 303		ME 05.06.2014			
-	-	-			Checked by. Date			
-	-	-			..			
						Katalognr./Catalog.no.		
						10047493		
<small>Jøtul AS, P.O.box 1411, N-1602 Fredrikstad, Norway, Tel +47 69359000 CONFIDENTIAL. This document contains confidential information and is the property of Jøtul AS No disclosure is permitted without written approval by Jøtul AS. Violation will be prosecuted</small>						Tegn_nr/drw.no	Revision	Side/Page
						10047877	U02	3 of 4
Rev	Dato	Rev.by	Endr.mel.					



weight: 0.7 kg

10047494		BRENNPLATE HØYRE F 303 BURN PLATE RIGHT F 303				Vermiculite	V 1100 600kg/m3	
Varenummer Partnumber	Ant. No.of	Gjenstand Partname	Pos.nr Pos.no	Tegn.nr Dwg. no	Rev.	Materiale Material	Merknad Notes	
Toleranser hvor annet ikke er angitt Tolerances where not specified: .. NS-ISO 2768-1, 1.utg.okt1990		F 303	Scale / Size 7:50/A3		Constructed by. Date ME 11.04.2014			
-	-	-	-	BRENNPLATE HØYRE F 303	Traced by. Date ME 05.06.2014			
-	-	-	-	BURN PLATE RIGHT F 303	Checked by. Date ..			
-	-	-	-	 JØTUL Jøtul AS, P.O.box 1411, N-1602 Fredrikstad, Norway, Tel +47 69359000 CONFIDENTIAL. This document contains confidential information and is the property of Jøtul AS No disclosure is permitted without written approval by Jøtul AS. Violation will be prosecuted		Katalognr./Catalog.no. 10047494		
-	-	-	-			Tegn_nr/drw.no	Revision	Side/Page
-	-	-	-			10047877	U02	4 of 4
Rev	Dato	Rev.by	Endr.mel.					