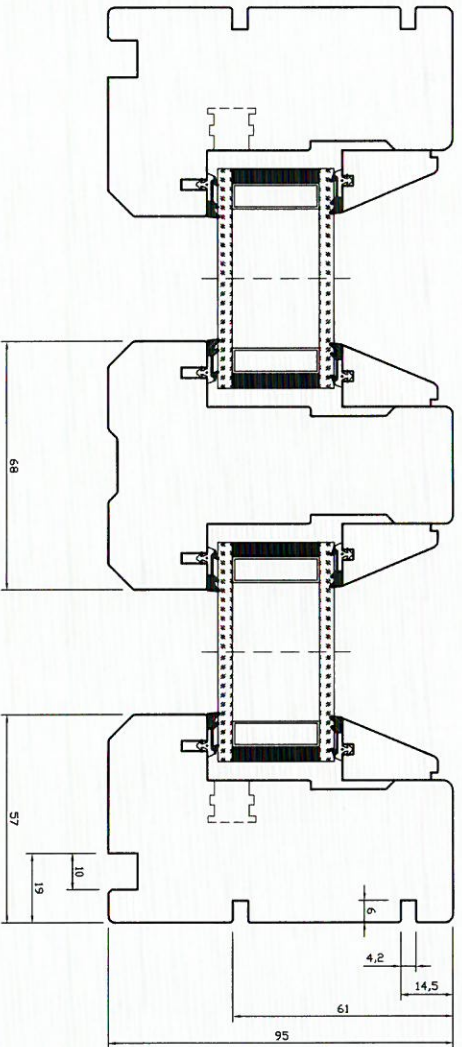
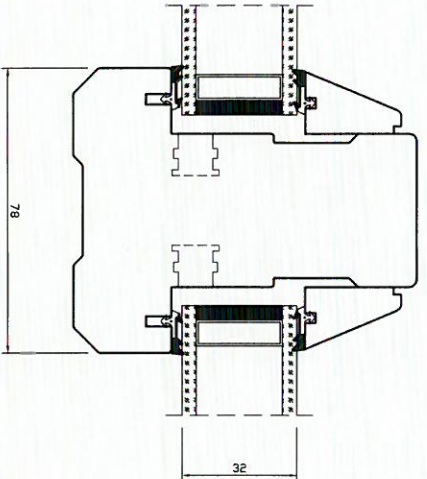
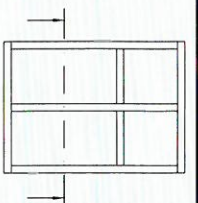


Date. 9.6.2015	Design. KS	Approved. -	Ver. no. 1	Rev. date. -	Scale. 1:2	Tolerance. ±0,2mm. Any different are defined at drawing	Drawing no. 30140001_UNO FK 1,2 Vertikalt tversnitt_V01
-------------------	---------------	----------------	---------------	-----------------	---------------	---------------------------------------------------------------	------------------------------------------------------------

UNO FK 1,2
Vertikalt tversnitt

natre[®]
VINDUER

Natre Vinduer AS
Engenvein 1
2827 HUNNDALEN
NORWAY



Date:	Design:	Approved:	Ver. no.:	Rev. date:	Scale:	Tolerance: ±0,2mm, Any different are defined at drawing	Drawing no.:
9.1.2015	KS	-	1	-	1:2		30140002_UNO FK 1,2 Horisontalt tverrsnitt_V01

UNO FK 1,2
Horisontalt tverrsnitt



Natre Vinduer AS
Engenvein 1
2827 HUNNDALEN
NORWAY