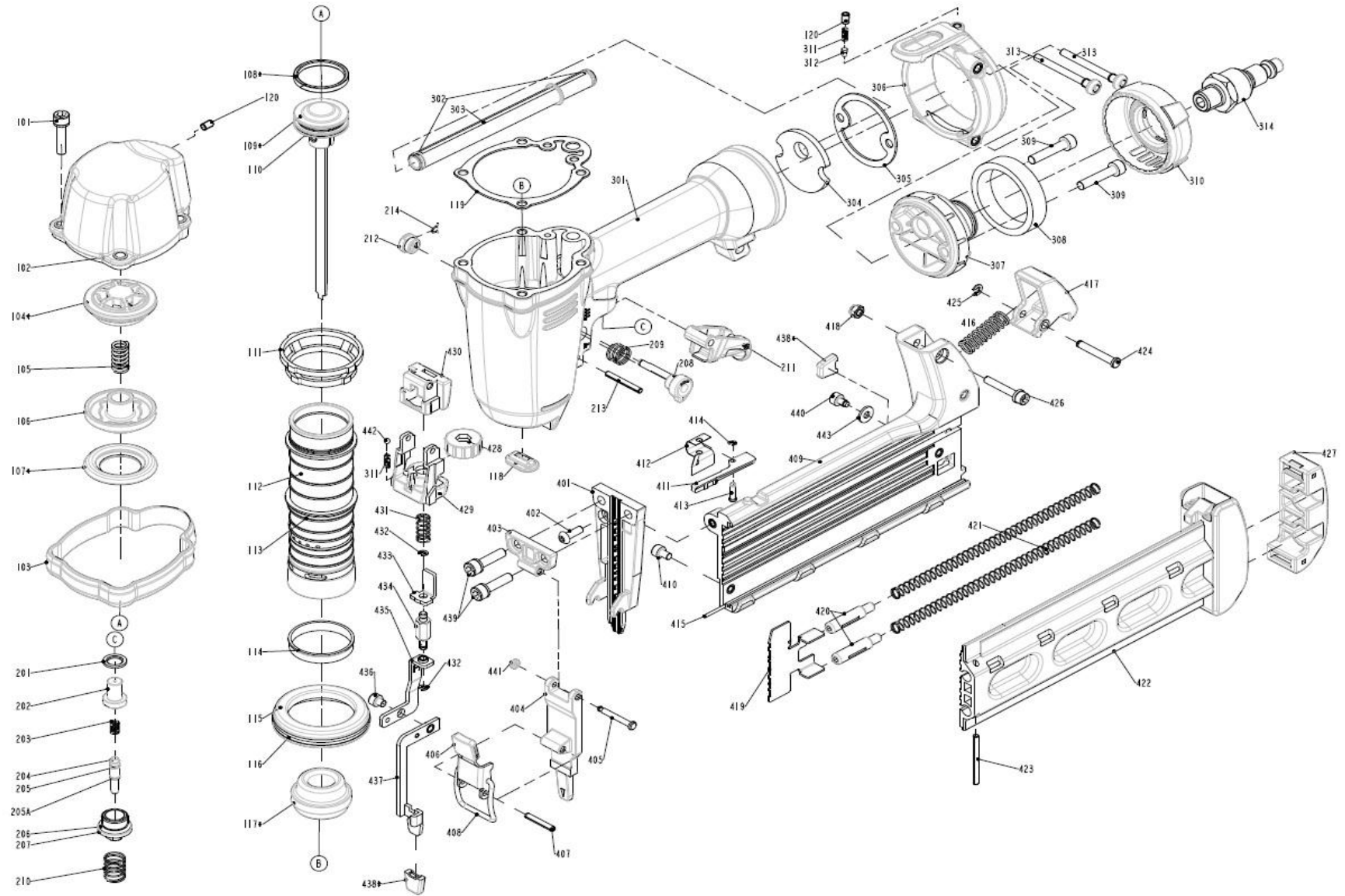


# Brad nailer ESSVE BN 12/55



## Brad nailer ESSVE BN 12/55

Pos	Art. Nr.	Name	Pos	Art. Nr.	Name	Pos	Art. Nr.	Name	Extras:
101		BOLT ASSY	304		FILTER	428		ADJUST AXIE	
102		CAP	305		GASKET	429		SAFETY GUIDE	
103		PROTECTIVE CUSHION	306		SPRING RETAINER	430		SAFETY SPRING BASE	
104*		COLLAR	307		END CAP	431		SAFETY SPRING	
105		COMPRESSION SPRING	308		MUFFLER	432		E - RING	<b>Service kits:</b>
106		HD.VALVE PISTON	309		HEX.SOC.HD.BOLT	433		SAFETY	
107*		SEAL	310		GUIDE PLATE	434		ADJUST ROD A	
108*		PISTON RING	311		POSITIONING SPRING	435		SAFETY B	
109*		DRIVER UNIT	312		POSITIONING SHAFT	436		HEX.SOC.HD.BOLT	
110		O - RING	313		SCREW	437		SAFETY A UNIT	
111		COLLAR	314		AIR PLUG	438*		PROTECTIVE CASING	
112		CYLINDER	401		DRIVER GUIDE	439		BOLT ASSY	
113		O - RING	402		HALF ROUND HD.HEX.BOLT	440		SCREW	
114		CYLINDER RING	403		DRIVER GUIDE COVER B	441		URETHANE RETAINER	
115		CYLINDER SPACER	404		DRIVER GUIDE COVER A	442		STEEL BALL	
116		O - RING	405		FIXED PIN	443		FLAT WASHER	
117*		BUMPER	406		PUSHER CUSHION	444		O - RING	
118		JOINT GUIDE	407		SPIRAL PINS				
119*		CYLINDER CAP SEAL	408		LOCK HANDLE UNIT				
120		HEX.SOC.HD.SCREW	409		MAGAZINE A				
201		SEAL	410		HEX.SOC.HD.BOLT				
202		TRIGGER VALVE HEAD	411		SAFETY STOPPER				
203		SPRING	412		SPRING				
204		PLUNGER	413		FIXED PIN				
205		O - RING	414		E - RING				
205A		O - RING	415		FLAT BAR				
206		O - RING	416		SAFETY SPRING				
207		PLUNGER CAP	417		LATCH				
208		HINGE POINT	418		LOCK NUT				
209		SPRING	419		PUSHER				
210		SPRING	420		SHAFT				
211		TRIGGER UNIT	421		PUSHER SPRING				
212		LOCATING WHEEL	422		MAGAZINE B				
213		SPRING PIN	423		SPRING PIN				
214		RING	424		LATCH PIN				
301		GUN BODY UNIT	425		E - RING				
302		O - RING	426		BOLT W/FLAT WASHER				
303		LINK ROD	427		PROTECTING HOOD COVER				

