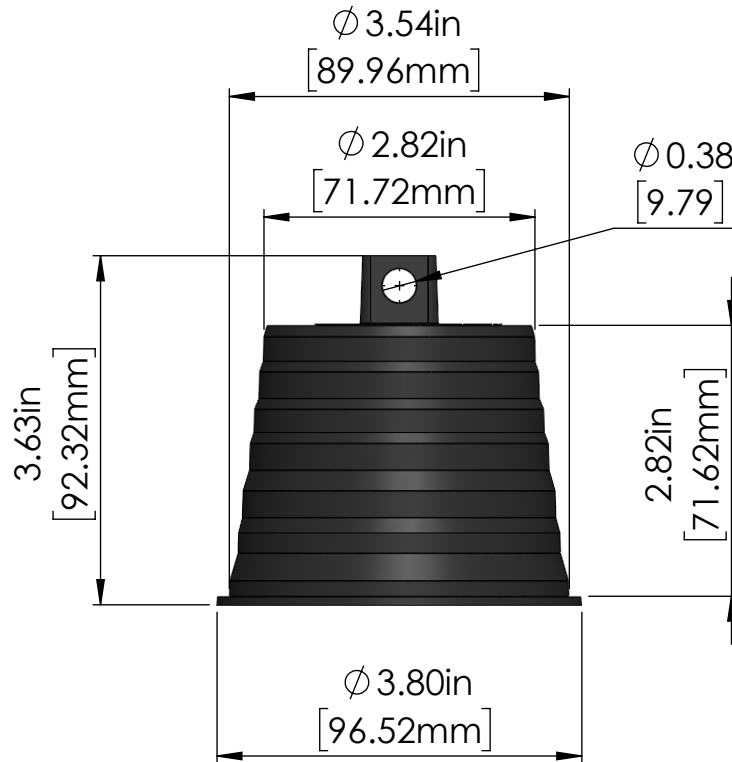
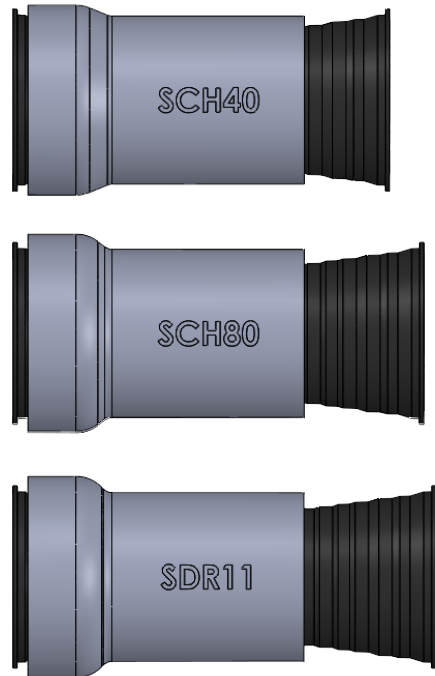
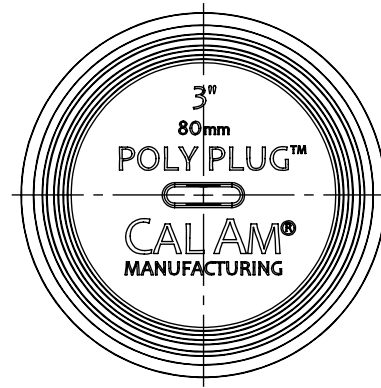


CONDUIT ID RANGE	APPLICABLE 3" [80mm] CONDUIT
2.87" - 3.54" [72.89mm - 89.91mm]	PVC SCH 40
	PVC SCH 80
	PVC DB 100
	PVC DB 120
	PVC DB 60
	PVC EB 20 TC
	PVC EB 20 UL
	PVC EB 35
	EMT
	HDPE SCH 40 F2160
	HDPE SCH 40 UL651A
	HDPE SCH 80 F2160
	HDPE SCH 80 UL651A
	HDPE SDR 11
HDPE SDR 13.5	
HDPE SDR 15.5	
HDPE SDR 9	

Applicable conduit types based on product's conduit ID range meeting or exceeding conduit ID dimensions specified in one or more of following standards: UL651, UL651A, ASTM F2160, NEMA TC 6 & 8



**NOTES:**

1 Material: LDPE, Black

TITLE	POLY PLUG 3"   80mm		
<b>PROPRIETARY AND CONFIDENTIAL</b> THE INFORMATION CONTAINED IN THIS DRAWING IS THE SOLE PROPERTY OF CAL AM MANUFACTURING. ANY REPRODUCTION IN PART OR AS A WHOLE WITHOUT THE WRITTEN PERMISSION OF CAL AM MANUFACTURING IS PROHIBITED.	DRAWN	JC.MORENO	DATE: 05/03/2023
	DRAWING NO.	2250-030 MKT	UNLESS OTHERWISE SPECIFIED DIMENSIONS ARE IN INCHES TOLERANCES: X±0.1 X.X±0.05 X.XX±0.030 X.XXX±0.020
	REVISION	A	
	SCALE:	1:2	PRODUCT NUMBER:



SHEET 1 OF 1