

Heavy duty pipe clamp FRSM hdg. - metric

The large pipe clamp with sound insulation insert for medium to heavy loads



Heavy pipe on cantilever



Heavy drainage pipe under angle bracket

Applications

- Fixing of medium to heavy pipes with threaded rods (hanger bolts)
- For indoor and outdoor applications and in environments with high stress to components due to corrosion

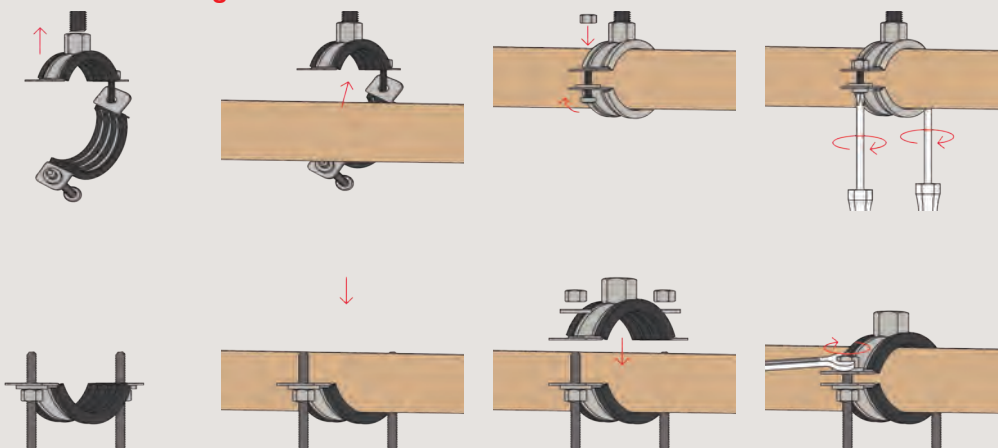
Advantages/benefits

- High tested loads guarantee safe functioning of the FRSM.
- The combination connecting nut with thread M10/M12, M12/M16 or M16 allows for optimised mounting choices.
- From \varnothing 124 mm it is possible to install with 2 threaded rods, e.g. for the fixing of cast iron roof drainage pipes.
- The two screws allow for easy adjustment to suit the outer pipe diameter.
- The screw's safety features ensures trouble-free installation.
- The surface coating enables a high corrosion protection against humidity, water, salt water, and other corrosive materials.

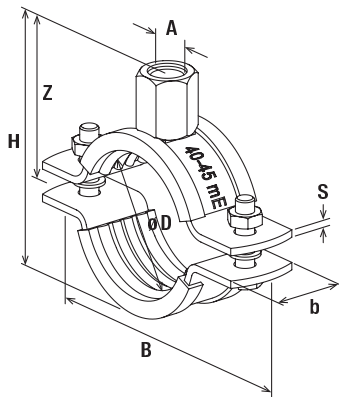
Properties

- Material: steel DD11 (material no. 1.0332) acc. to DIN EN 10111
- Zinc plating: hot-dip galvanised, min. 45 μm , acc. to DIN EN ISO 1461
- Connecting nut: M10 / M12 = SW 17, M12 / M16 = SW 22, M16 = SW 24
- Locking screw: hexagon screw with nut
- Material sound insulation insert: EPDM; chlorine-free; silicone-free
- Temperature range: $-50\text{ }^{\circ}\text{C}$ to $+110\text{ }^{\circ}\text{C}$
- Hardness: $45 \pm 5^{\circ}$ Shore A
- Fire behaviour: DIN 4102: Class B2

Installation FRSM hdg.



Technical data



FRSM hdg. - metric

Item	Item No.	Thread	Size	Clamping range	Width	Height	Width x thickness clamp band	Height Z	Locking screw	Max. recom. static load (centr. tension) N _{recom.} [kN]	Sales unit [pcs]
		A	[inch]	D [mm]	B [mm]	H [mm]	b x s [mm]	Z [mm]			
FRSM 1/2" M10/M12 hdg.	558524	M 10 / M 12	1/2"	19 - 23	77	56	25 x 2.5	38	M 6	2.50	50
FRSM 3/4" M10/M12 hdg.	558525	M 10 / M 12	3/4"	24 - 29	83	62	25 x 2.5	41	M 6	2.50	50
FRSM 1" M10/M12 hdg.	558526	M 10 / M 12	1"	33 - 36	91	69	25 x 2.5	45	M 6	2.50	50
FRSM 1 1/4" M10/M12 hdg.	558527	M 10 / M 12	1 1/4"	40 - 45	100	78	25 x 2.5	49	M 6	2.50	20
FRSM 1 1/2" M10/M12 hdg.	558528	M 10 / M 12	1 1/2"	48 - 52	107	85	25 x 2.5	53	M 6	2.50	20
FRSM 53-58 M10/M12 hdg.	558529	M 10 / M 12	—	53 - 58	113	91	25 x 2.5	56	M 6	2.50	20
FRSM 2" M10/M12 hdg.	558530	M 10 / M 12	2"	60 - 65	120	98	25 x 2.5	59	M 6	2.50	20
FRSM 2 1/2" M10/M12 hdg.	558531	M 10 / M 12	2 1/2"	73 - 78	138	115	30 x 3,0	68	M 8	3.00	20
FRSM 79-85 M10/M12 hdg.	558532	M 10 / M 12	—	79 - 85	145	122	30 x 3,0	71	M 8	3.00	20
FRSM 3" M10/M12 hdg.	558533	M 10 / M 12	3"	88 - 93	153	130	30 x 3,0	75	M 8	3.00	20
FRSM 102" M10/M12 hdg.	558534	M 10 / M 12	—	100 - 106	166	143	30 x 3,0	82	M 8	3.00	20
FRSM 4" M10/M12 hdg.	558606	M 10 / M 12	4"	108 - 116	176	153	30 x 3,0	87	M 8	3.00	20
FRSM 124-129 M10/M12 hdg.	558535	M 10 / M 12	—	124 - 129	194	165	30 x 3,0	97	M 8	3.00	20
FRSM 131-137" M10/M12 hdg.	558536	M 10 / M 12	—	131 - 137	202	173	30 x 3,0	100	M 8	3.00	20
FRSM 138-145 M10/M12 hdg.	558537	M 10 / M 12	5"	138 - 145	210	180	30 x 3,0	109	M 8	3.00	20
FRSM 156-162 M10/M12 hdg.	558538	M 10 / M 12	—	156 - 162	227	198	30 x 3,0	114	M 8	3.00	20
FRSM 165-171 M10/M12 hdg.	558539	M 10 / M 12	6"	165 - 171	255	207	30 x 3,0	125	M 8	3.00	20
FRSM 188-194 M10/M12 hdg.	558540	M 10 / M 12	7"	188 - 194	278	230	30 x 3,0	125	M 8	3.00	10
FRSM 196-203 M10/M12 hdg.	558541	M 10 / M 12	—	196 - 203	287	239	30 x 3,0	130	M 8	3.00	10
FRSM 212 M12/M16 hdg.	558542	M 12 / M 16	—	205 - 214	289	264	40 x 4,0	147	M 12	5.00	10
FRSM 8" M12/M16 hdg.	558543	M 12 / M 16	8"	219 - 225	300	272	40 x 4,0	152	M 12	5.00	10
FRSM 250 M12/M16 hdg.	558544	M 12 / M 16	—	244 - 250	325	300	40 x 4,0	165	M 12	5.00	10
FRSM 10" M12/M16 hdg.	558545	M 12 / M 16	10"	267 - 273	348	323	40 x 4,0	177	M 12	5.00	10
FRSM 300 M12/M16 hdg.	558546	M 12 / M 16	—	297 - 304	379	354	40 x 4,0	192	M 12	5.00	10
FRSM 305-316 M12/M16 hdg.	558547	M 12 / M 16	—	305 - 316	397	314	40 x 4,0	157	M 12	5.00	10
FRSM 12" M12/M16 hdg.	558548	M 12 / M 16	12"	320 - 328	403	378	40 x 4,0	204	M 12	5.00	10
FRSM 348-356 M16 hdg.	558549	M 16	—	348 - 356	480	403	50 x 5,0	213	M 16	8.00	1
FRSM 364-372 M16 hdg.	558596	M 16	—	364 - 372	496	419	50 x 5,0	221	M 16	8.00	1
FRSM 400-409 M16 hdg.	558597	M 16	—	400 - 409	533	456	50 x 5,0	240	M 16	8.00	1
FRSM 454-462 M16 hdg.	558598	M 16	—	454 - 462	586	509	50 x 5,0	266	M 16	8.00	1
FRSM 500-508 M16 hdg.	558599	M 16	—	500 - 508	632	555	50 x 5,0	290	M 16	8.00	1

3a