

# Milwaukee®

Nothing but **HEAVY DUTY**®



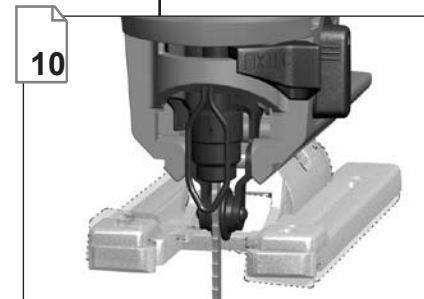
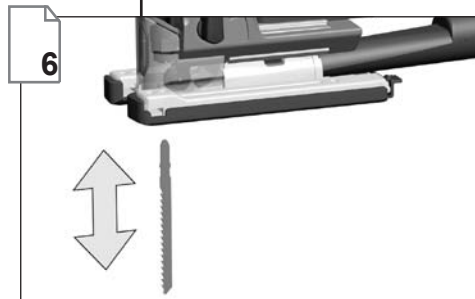
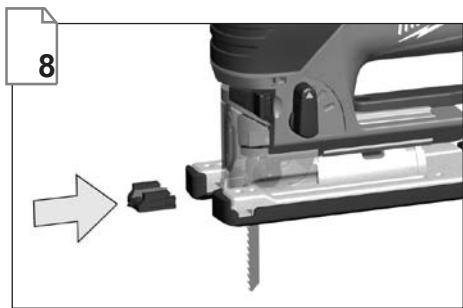
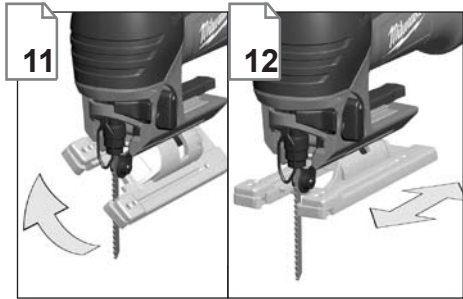
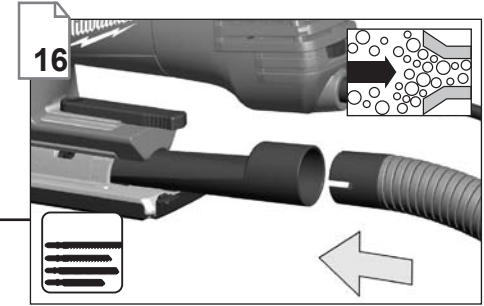
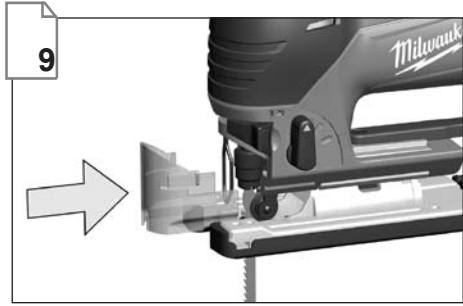
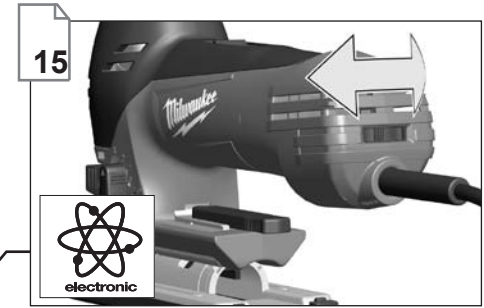
## JS 120 X

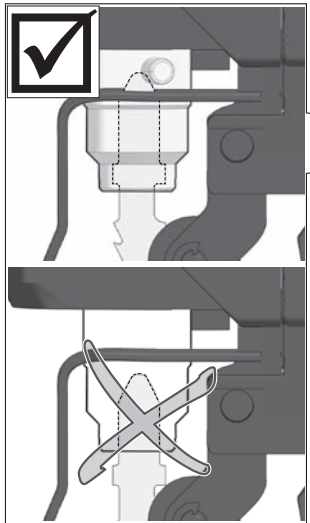
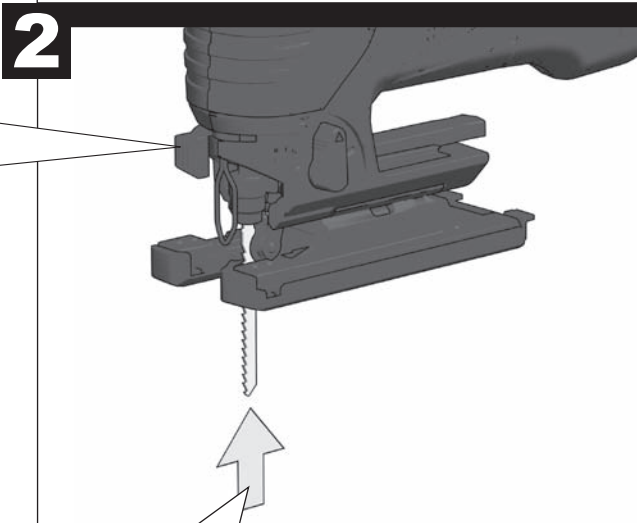
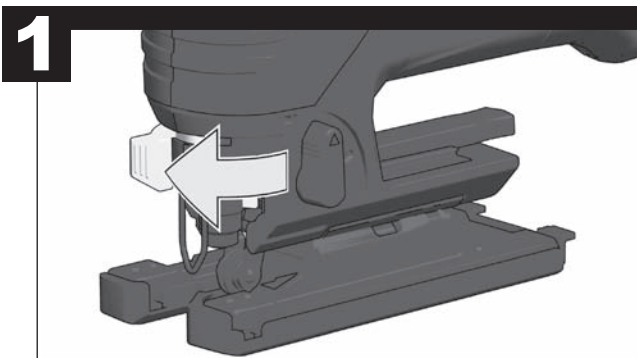
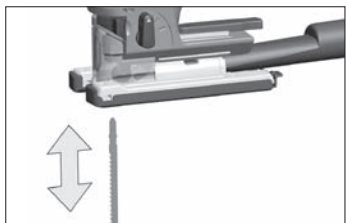
Original instructions  
Originalbetriebsanleitung  
Notice originale  
Istruzioni originali  
Manual original  
Oorspronkelijke  
gebruiksaanwijzing  
Original brugsanvisning  
Original bruksanvisning  
Bruksanvisning i original  
Alkuperäiset ohjeet

Πρωτότυπο οδηγιών χρήσης  
Orijinal işletme talimatı  
Původním návodem k  
používání  
Pôvodný návod na použitie  
Instrukcją oryginalną  
Eredeti használati utasítás  
Izvirna navodila  
Originalne pogonske upute  
Instrukcijām oriģinālvalodā  
Originalni instrukcija

Algupärane kasutusjuhend  
Оригинальное руководство  
по эксплуатации  
Оригинално ръководство за  
експлоатация  
Instrucțiuni de folosire  
originale  
Оригинален прирачник за  
работа  
原始的指南

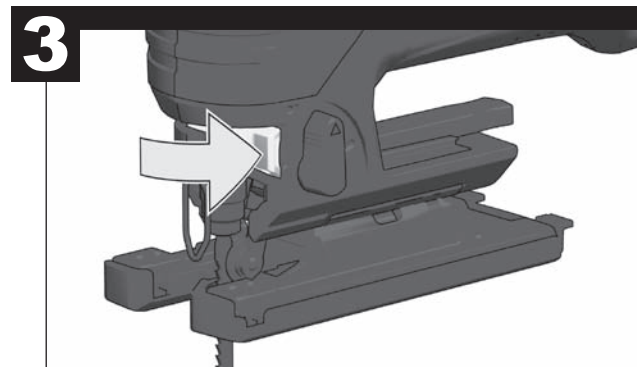
|   |  |                    |           |
|---|--|--------------------|-----------|
| Technical Data, Safety Instructions, Specified Conditions of Use, EC-Declaration of Conformity, Mains connection, Maintenance, Symbols                                | Please read and save these instructions!   | <b>ENGLISH</b>     | <b>22</b> |
| Technische Daten, Sicherheitshinweise, Bestimmungsgemäße Verwendung, CE-Konformitätserklärung, Netzanschluss, Wartung, Symbole  | Bitte lesen und aufbewahren!   | <b>DEUTSCH</b>     | <b>24</b> |
| Caractéristiques techniques, Instructions de sécurité, Utilisation conforme aux prescriptions, Déclaration CE de Conformité, Branchement secteur, Entretien, Symboles | Prière de lire et de conserver!  | <b>FRANÇAIS</b>    | <b>26</b> |
| Dati tecnici, Norme di sicurezza, Utilizzo conforme, Dichiarazione di Conformità CE, Collegamento alla rete, Manutenzione, Simboli                                    | Si prega di leggere le istruzioni e di conservarle!                                      | <b>ITALIANO</b>    | <b>28</b> |
| Datos técnicos, Instrucciones de seguridad, Aplicación de acuerdo a la finalidad, Declaración de Conformidad CE, Conexión eléctrica, Mantenimiento, Símbolos          | Lea y conserve estas instrucciones por favor!  | <b>ESPAÑOL</b>     | <b>30</b> |
| Características técnicas, Instruções de segurança, Utilização autorizada, Declaração de Conformidade CE, Ligação à rede, Manutenção, Símbolo                          | Por favor leia e conserve em seu poder!  | <b>PORTUGUES</b>   | <b>32</b> |
| Technische gegevens, Veiligheidsadviezen, Voorgescreven gebruik van het systeem, EC-Konformiteitsverklaring, Netaansluiting, Onderhoud, Symbolen                      | Lees en let goed op deze adviezen!   | <b>NEDERLANDS</b>  | <b>34</b> |
| Tekniske data, Sikkerhedshenvisninger, Tiltænkt formål, CE-Konformitetserklæring, Nættilslutning, Vedligeholdelse, Symboler   | Vær venlig at læse og opbevare!  | <b>DANSK</b>       | <b>36</b> |
| Tekniske data, Spesielle sikkerhetshenvisninger, Formålmessig bruk, CE-Samsvarserklæring, Nettleikopling, Vedlikehold, Symboler                                       | Vennligst les og oppbevar!   | <b>NORSK</b>       | <b>38</b> |
| Tekniska data, Säkerhetsutrustning, Använd maskinen Enligt anvisningarna, CE-Försäkran, Nätslutning, Skötsel, Symboler  | Var god läs och tag tillvara dessa instruktioner!  | <b>SVENSKA</b>     | <b>40</b> |
| Tekniset arvot, Turvallisuusohjeet, Tarkoituksenmukainen käyttö, Todistus CE-standardin mukaisuudesta, Verkkoliitäntä, Huolto, Symbolit                               | Lue ja säilytä!  | <b>SUOMI</b>       | <b>42</b> |
| Τεχνικά στοιχεία, Ειδικές υποδείξεις ασφαλείας, Χρήση σύμφωνα με το σκοπό προορισμού, Δήλωση πιστοποίησης εκ, Συνδεση στο ηλεκτρικό δίκτυο, Συντήρηση, Σύμβολα        | Παρακαλώ διαβάστε τις και φυλάξτε τις!   | <b>ΕΛΛΗΝΙΚΑ</b>    | <b>44</b> |
| Teknik veriler, Güvenliğinizi için talimatlar, Kullanım, CE uygunluk beyanince, Şebeke bağlantısı, Bakım, Semboller   | Lütfen okuyun ve saklayın  | <b>TÜRKÇE</b>      | <b>46</b> |
| Technická data, Speciální bezpečnostní upozornění, Oblast využití, Ce-prohlášení o shodě, Připojení na síť, Údržba, Symboly   | Po přečtení uschovejte   | <b>ČESKY</b>       | <b>48</b> |
| Technické údaje, Špeciálne bezpečnostné pokyny, Použitie podľa predpisov, CE-Vyhlasenie konformity, Sieťová pripojka, Údržba, Symboly                                 | Prosím prečítať a uschovať!  | <b>SLOVENSKY</b>   | <b>50</b> |
| Dane techniczne, Specjalne zalecenia dotyczace bezpieczerstwa, Uzytkowanie zgodne z przeznaczeniem, Swiadcetwo zgodnosci ce, Podlaczenie do sieci, Gwarancja, Symbole | Prosimy o uwazne przeczytanie i przestrzeganie zalecen zarne szczonych w tej instrukcji. | <b>POLSKI</b>      | <b>52</b> |
| Műszaki adatok, Különleges biztonsági tudnivalók, Rendeltetésszerű használat, Ce-azonossági nyilatkozat, Hálózati csatlakoztatás, Karbantartás, Szimbólumok           | Olvassa el és őrizze meg   | <b>MAGYAR</b>      | <b>54</b> |
| Tehnični podatki, Specialni varnostni napotki, Uporaba v skladu z namembnostjo, Ce-izjava o konformnosti, Omrežni priključek, Vzdrževanje, Simboli                    | Prosimo preberite in shranite!   | <b>SLOVENSKO</b>   | <b>56</b> |
| Tehnički podaci, Specijalne sigurnosne upute, Propisna upotreba, CE-Izjava konformnosti, Priključak na mrežu, Održavanje, Simboli                                     | Molimo pročitati i sačuvati  | <b>HRVATSKI</b>    | <b>58</b> |
| Tehniskie dati, Speciālie drošības noteikumi, Noteikumiem atbilstošs izmantojums, Atbilstība CE normām, Tīkla pieslēgums, Apkope, Simboli                             | Pielikums lietošanas pamācībai   | <b>LATVISKI</b>    | <b>60</b> |
| Techniniai duomenys, Ypatingos saugumo nuorodos, Naudojimas pagal paskirtį, CE Atitikties pareiškimas, Elektros tinklo jungtis, Techninis aptarnavimas, Simboliai     | Prašome perskaityti ir neišmesti!  | <b>LIETUVIŠKAI</b> | <b>62</b> |
| Tehnilised andmed, Spetsiaalsed turvajuhised, Kasutamise vastavalt otstarbele, EU Vastavusavaldus, Võrku ühendamine, Hooldus, Sümbolid                                | Palun lugege läbi ja hoidke alal!  | <b>EESTI</b>       | <b>64</b> |
| Технические данные, Рекомендации по технике безопасности, Использование, Подключение к электросети, Обслуживание, Символы   | Пожалуйста, прочтите и сохраните настоящую инструкцию!                                   | <b>РУССКИЙ</b>     | <b>66</b> |
| Технически данни, Специални указания за безопасност, Използване по предназначение, CE-Декларация за съответствие, Свързване към мрежата, Поддръжка, Символи           | Моля прочетете и запазете!   | <b>БЪЛГАРСКИ</b>   | <b>68</b> |
| Date tehnice, Instrucțiuni de securitate, Condiții de utilizare specificate, Declarație de conformitate, Alimentare de la rețea, Intreținere, Simboluri               | Va rugăm citiți și păstrați aceste instrucțiuni  | <b>ROMÂNIA</b>     | <b>70</b> |
| Технички Податоци, Упатство За Употреба, Специфицирани Услови На Употреба, Еу-декларација За Сообразност, Главни Врски, Одржување, Символи                            | Ве молиме прочитајте го и чувајте го ова упатство!                                       | <b>МАКЕДОНСКИ</b>  | <b>72</b> |
| 技术数据, 特殊安全指示, 正确地使用机器, 欧洲安全规定说明, 电源插头, 维修符号   | 请详细阅读并妥善保存!  | <b>中文</b>          | <b>74</b> |



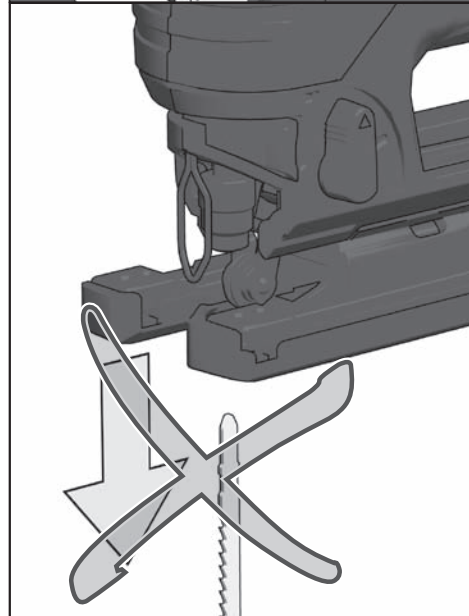
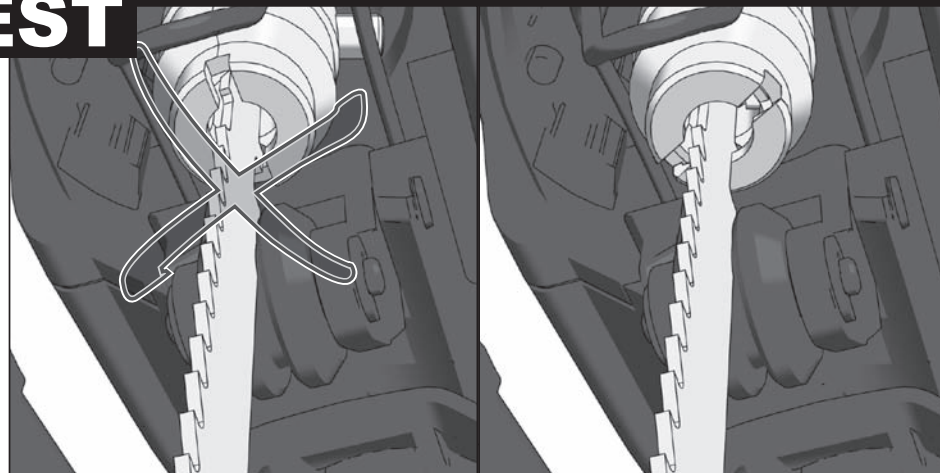


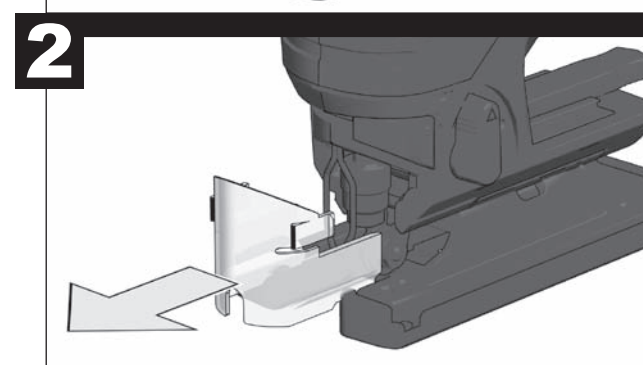
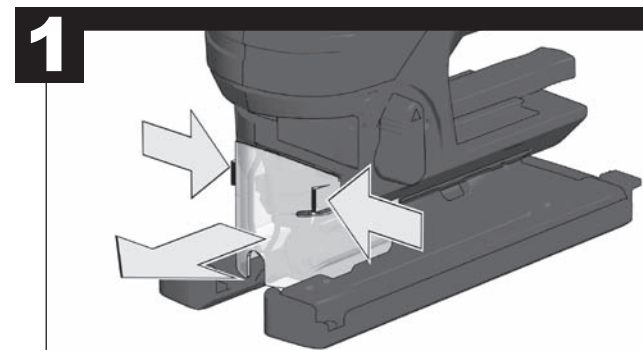
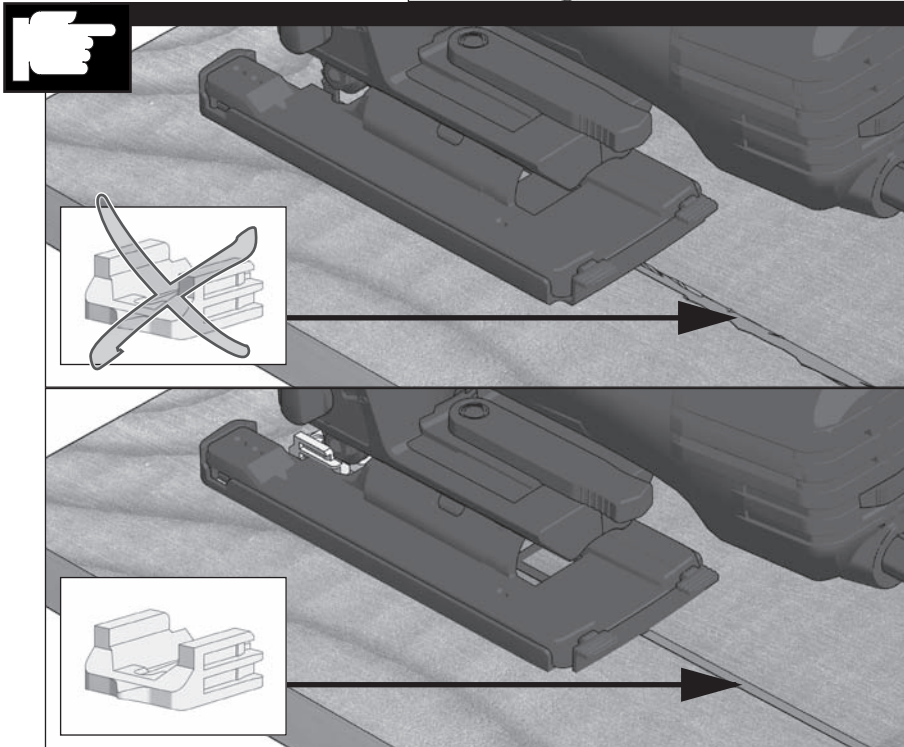
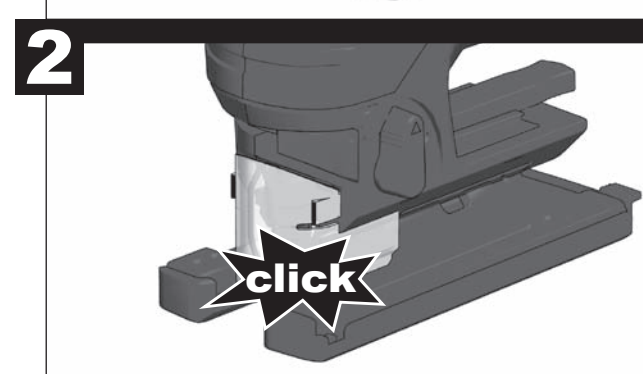
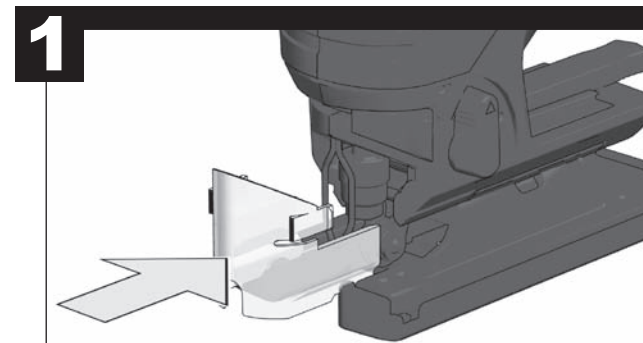
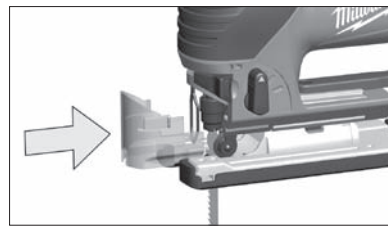
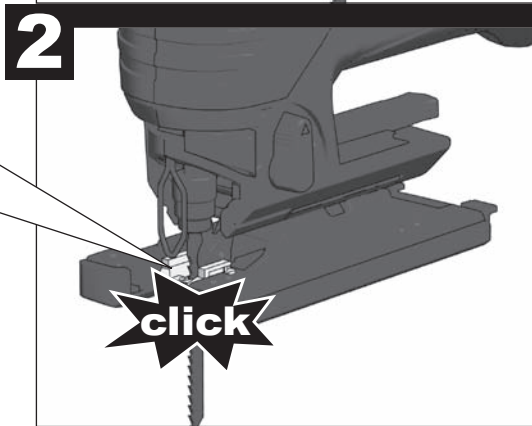
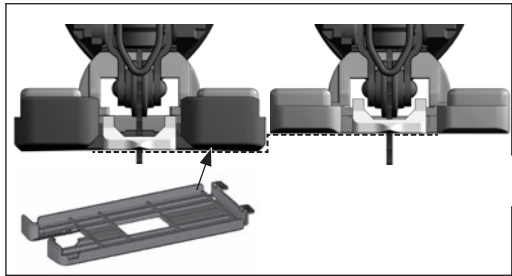
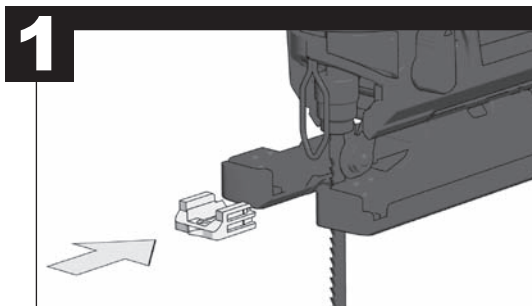
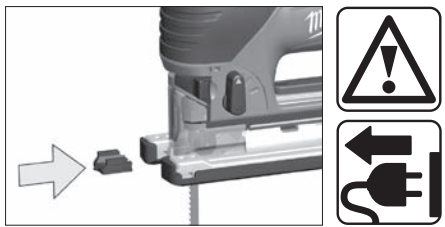
Press the saw blade into the Fixtec holder up to the stop.  
 Sägeblatt in die Fixtec-Aufnahme bis zum Anschlag drücken.  
 Presser la lame de scie dans le logement Fixtec jusqu'à la butée.  
 Inserire la lama fino alla battuta nell'alloggiamento Fixtec.  
 Introducir la hoja de la sierra Fixtec en su alojamiento hasta el tope  
 Pressionar a folha de serra no assento-Fixtec até o encosto.  
 Zaagblad tot aan de aanslag in de Fixtec-houder drukken.  
 Pres savklingen ind i Fixtec-holderen, så den går i indgreb.  
 Trykk sagbladet til anslaget av Fixtec – holdeinnretningen.  
 Tryck ner sågbladet i Fixtec-fästanordningen så långt det går.  
 Työnnä sahanterä Fixtec-istukkaan pohjaan asti  
 Βάλετε την πριονόλαμα μέχρι το τέρμα στην υποδοχή του Fixtec.  
 Testere bıçağını dayanıncaya kadar Fixtec yuvasına bastırın.

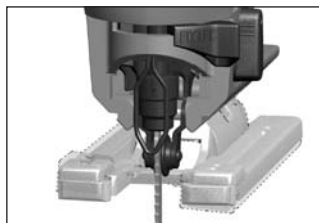
Zatlačte pilový list na doraz do sklíčidla Fixtec.  
 Zatlačte pilový list na doraz do sklíčovadla Fixtec.  
 Brzeczczot wcisnąć na nasadę FIXTEC do oporu.  
 A fűrészlapot a Fixtec-befogóba ütközésig nyomja be!  
 Žagin list pritisnite u Fixtec-prijemalo do prislonu  
 List pile pritisnite u Fixtec-prihvatač do graničnika  
 levietojiet zāga disku Fixtec stiprinājumā līdz galam, lai tā nofiksējas.  
 Įstatykite pjūklą diską į Fixtec tvirtinimą iki galo, kol jis užsifiksuoja.  
 Sæterera lūkata Fixtec-kinnitusse kuni tunnete klõpsatust.  
 Вставить пильное полотно в захват Fixtec до упора.  
 Натиснете циркулярния диск в Fixtec-държача до ограничителя.  
 Apřesať pánžá de circular ěn dispozitivul de preluare fixtec, până la refuz.  
 Притиснете ја пилицата за сечење во Fixtec-лежиштето сè до аншлаг  
 将锯条完全压进Fixtec-装置。



## TEST







In case the base plate can't be tensioned anymore after frequent adjusting, the base plate setting mechanism can be re-adjusted.

Sollte sich die Fußplatte nach häufiger Verstellung nicht mehr fest spannen lassen, kann die Fußplattenverstellung nachjustiert werden.

Au cas où la plaque de base ne se laisserait plus serrer à fond à la suite de déplacements fréquents, il est possible de réajuster le réglage de la plaque de base.

Il meccanismo di settaggio della piastra base deve essere nuovamente regolato specialmente quando si effettuano frequenti regolazioni della piastra.

Ajustando la placa base. Desconecte siempre el enchufe antes de llevar a cabo cualquier trabajo en la máquina.

No caso de a base não poder voltar a ser apertada após ajustes frequentes, o mecanismo de ajuste da mesma pode ser reajustado.

Indien de voetplaat, na veelvuldig verstellen, zich niet goed meer laat vastspannen, kunt u de voetplaatverstelling nastellen

Hvis fodpladen efter gentagne omstillinger ikke længere kan spændes fast, kan fodpladeindstillingen efterjusteres.

Dersom fotplaten etter flere gangers regulering ikke lenger lar seg spenne fast, kan reguleringsmekanismen for fotplaten etterjusteres.

Ifall bottenplattan, efter lång tids användning, ej längre låter sig återspännas kan mekanismen efterjusteras.

Mikäli pohjalevyn paikoilleenkiristys ei enää onnistu, on mahdollista suorittaa pohjalevyn asetusmekanismiin uudelleensäätö.

Σε περίπτωση που η πλάκα ποδός δεν μπορεί πια να στερεωθεί σταθερά μετά από συχνές ρυθμίσεις, μπορεί να επαναρυθμιστεί η ρύθμιση της πλάκας ποδός.

Taban levhasi sık sık ayar yapıldıktan sonra artık sıkılamıyorsa, taban levhasi ayarı tekrar yapılabilir.

Není-li možné pracovní desku po mnohonásobném nasatavování upnout, lze její stavěcí mechanismus upravit.

Ak by sa základová doska v dôsledku častého prestavovania nedala viac upevniť, môže sa prestavovací mechanizmus základovej dosky nanovo nastaviť.

W przypadku, gdy płyty podstawy nie można już solidnie zamocować w wyniku częstego ustawiania, należy wyregulować mechanizm nastawiania.

Ha az alaplappot nem lehet többé meghúzni a gyakori állítások után, az alaplapp szabályozó mechanizmus újra beállítható.

Ako se nožna ploča nakon češćeg premještanja više ne može čvrsto stegnuti, onda se podešavanje nožne ploče može naknadno justirati.

Ja pamata plāksni pēc vairākkārtējas pārvietošanas vairs nav iespējams stingri nostiprināt, to vajag noregulēt par jaunu.

Jej po dažno perregulavimo apatinė atrama tvirtai nebeprisiveržia, ją galima suderinti iš naujo.

Juhul, kui pärast sagedast reguleerimist pole alustalda enam võimalik kindlalt kinnitada, võib alusplaadi reguleerimist uuesti justeerida.

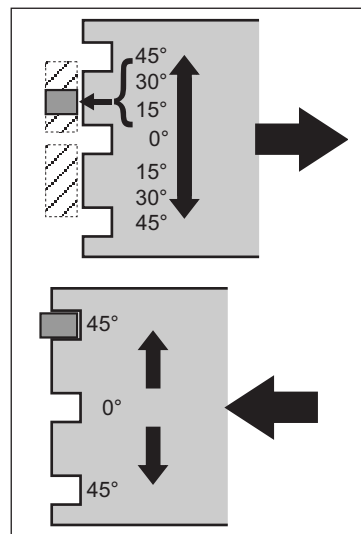
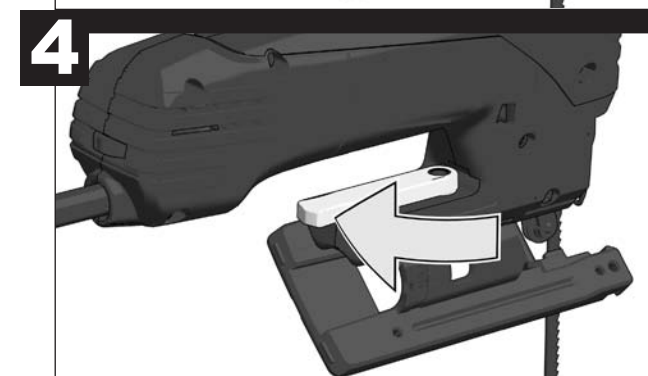
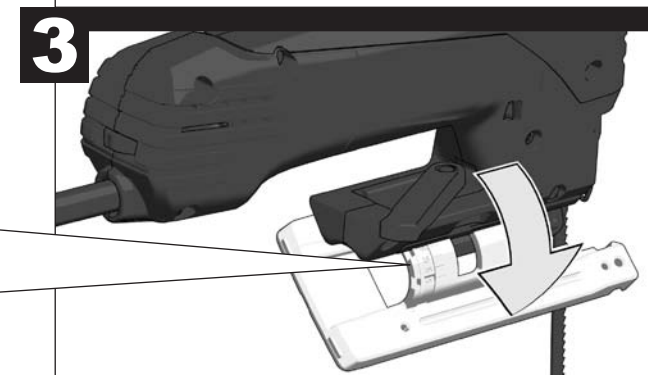
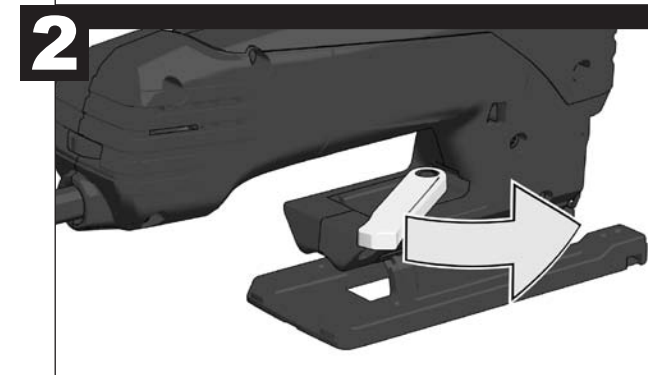
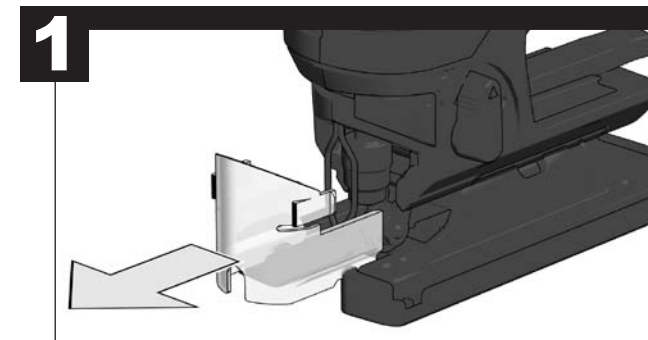
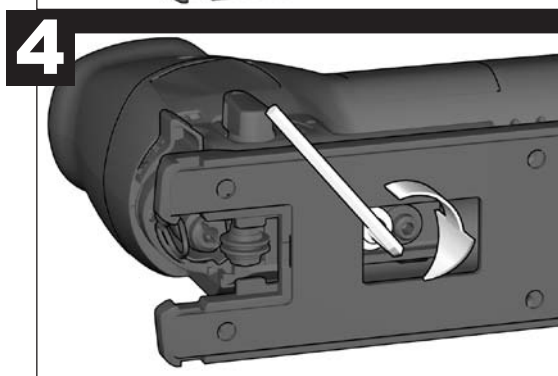
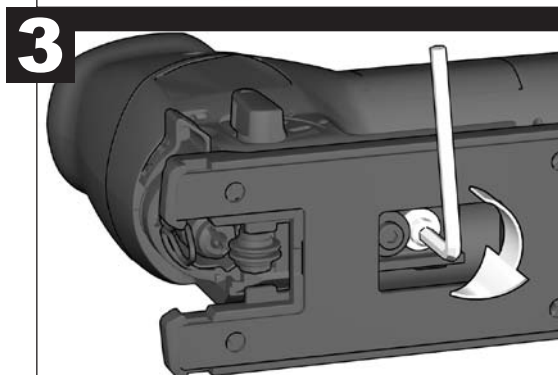
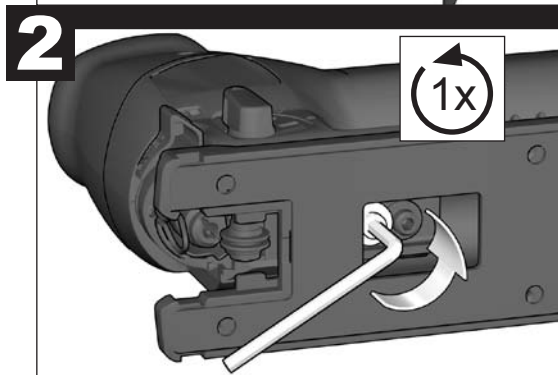
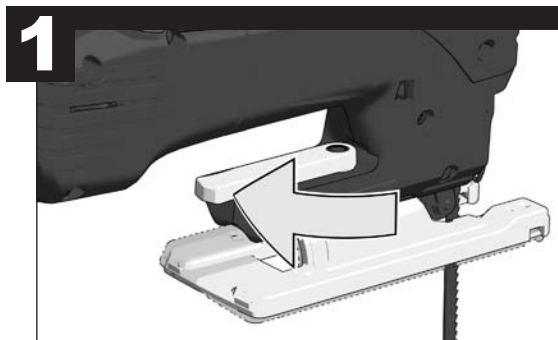
В случае, если от частого использования опорная подошва плохо фиксируется, крепежный механизм опорной подошвы можно отрегулировать.

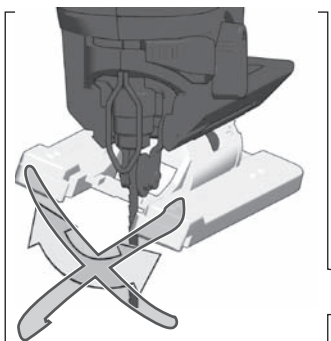
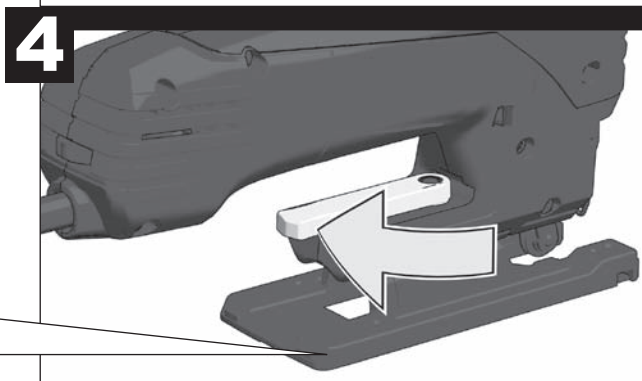
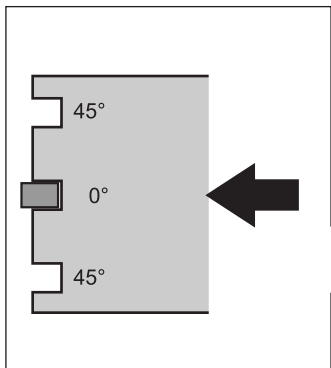
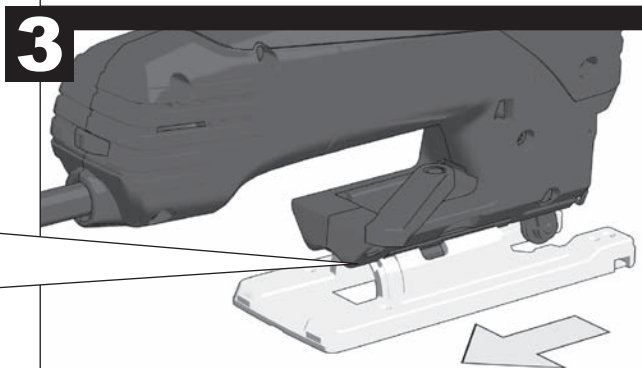
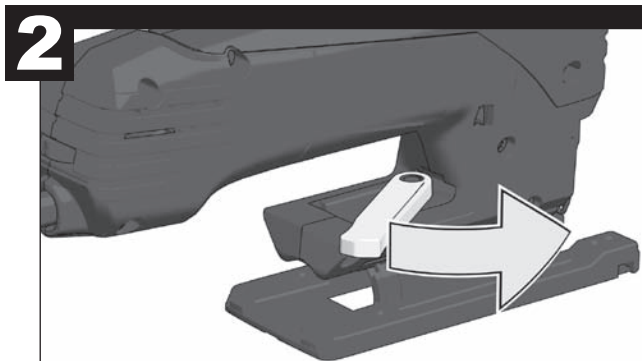
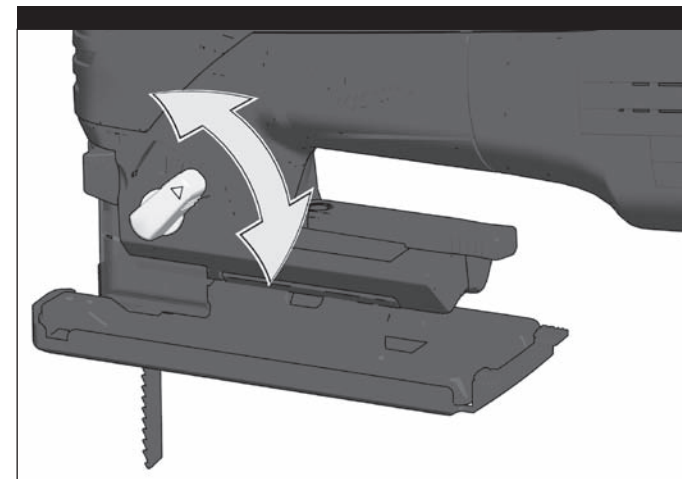
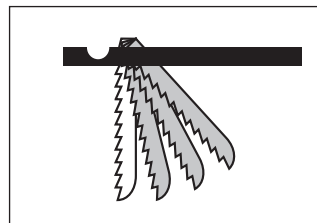
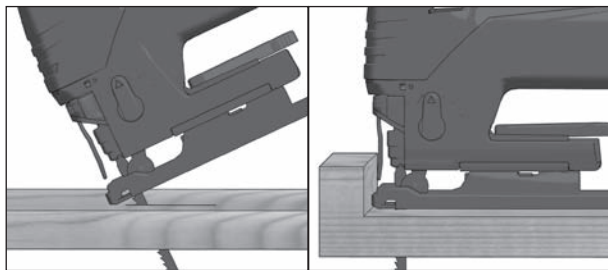
Ako sled često naglasjene opornata ploča ne može povече da se zatega, nastrojka na pločata može da se regulira otново.

În cazul în care placa de bază nu mai poate fi tensionată după reglajele frecvente, mecanismul de reglare al acesteia poate fi reajustat.

Во случај основната плоча да не може повеќе да се затега, по често прилагодување, нејзиниот механизам може да се прештетува.

如果因为经常调整底盘，而导致无法正确地固定底盘，可以重新校准底盘的位置。

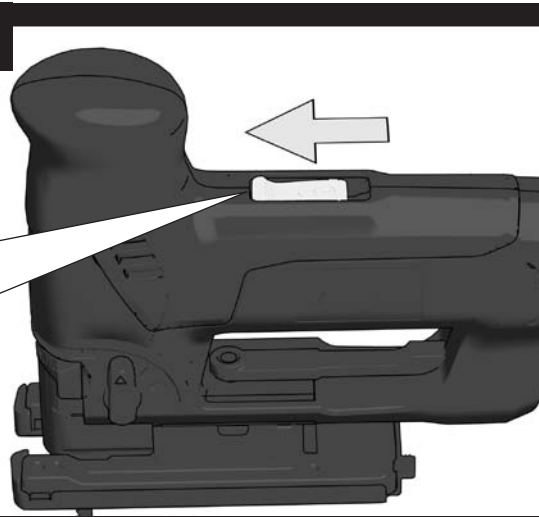
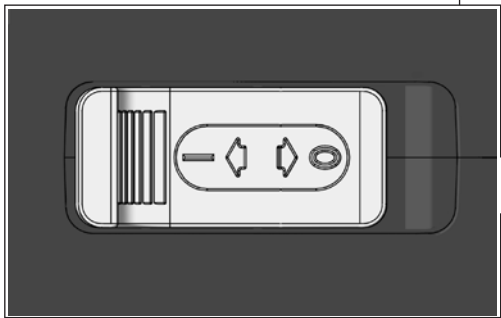




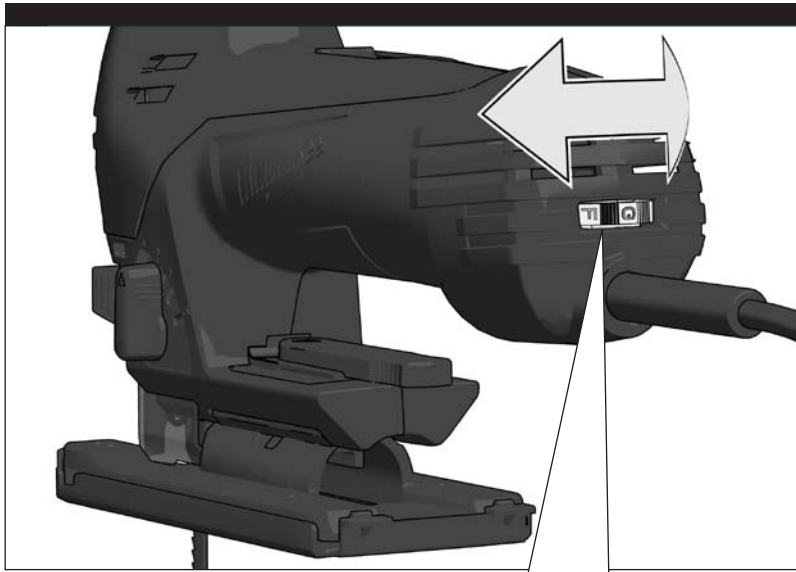
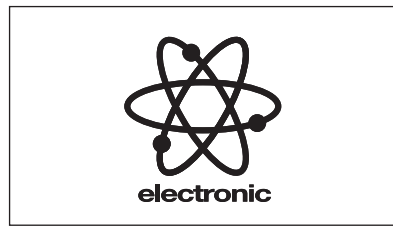
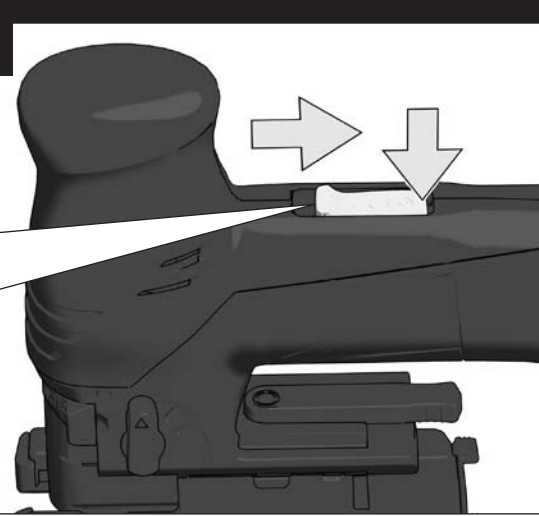
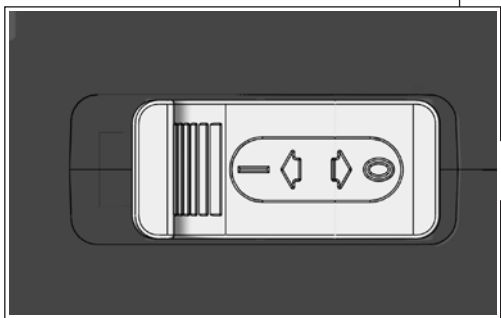
|  |  |  |  |
|--|--|--|--|
|  |  |  |  |
|  |  |  |  |
|  |  |  |  |
|  |  |  |  |
|  |  |  |  |
|  |  |  |  |

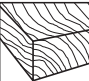






**START**

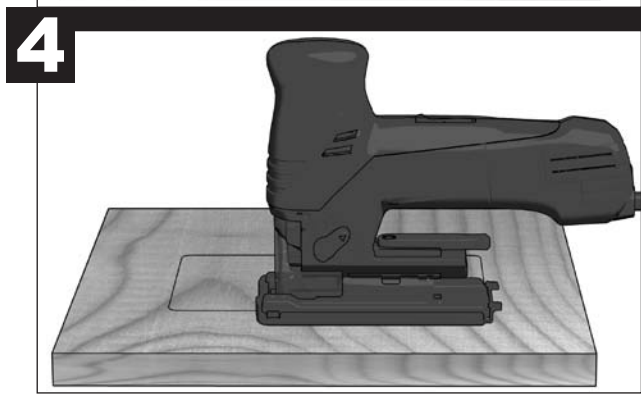
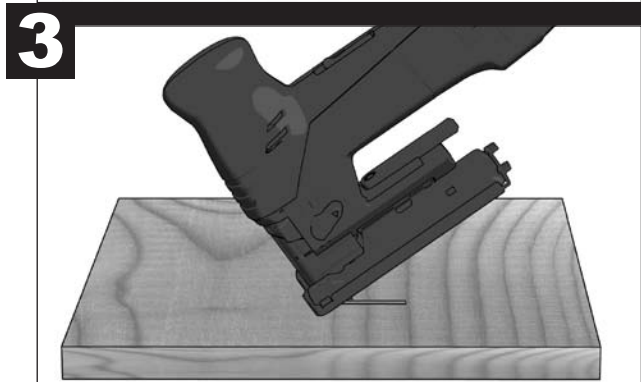
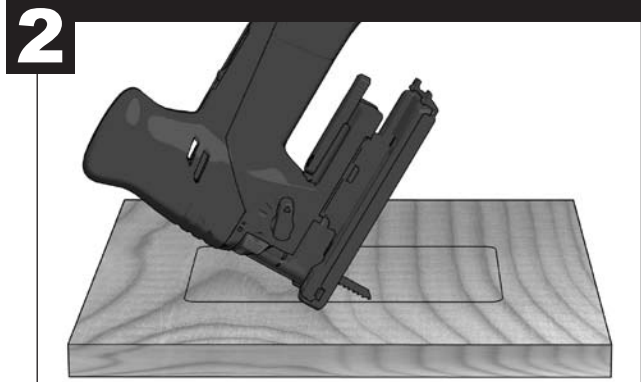
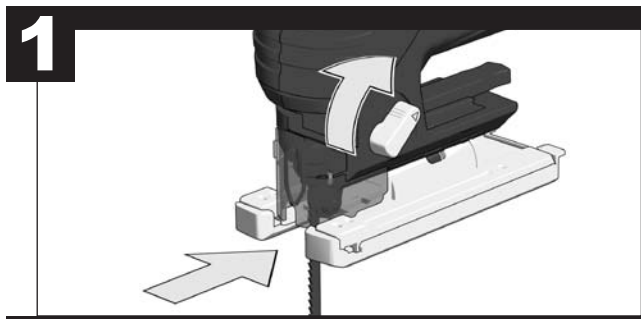
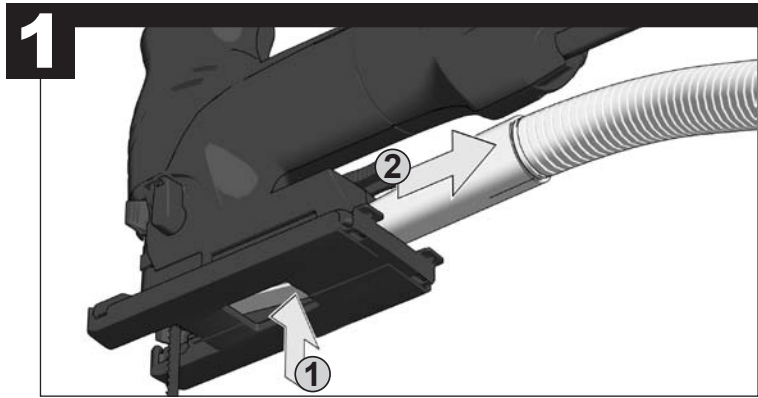
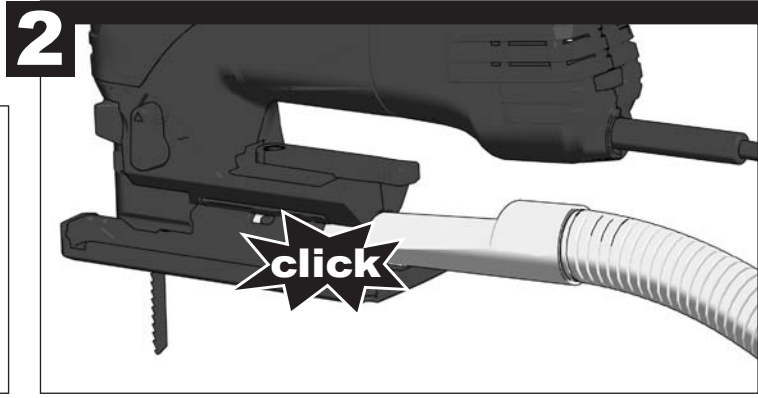
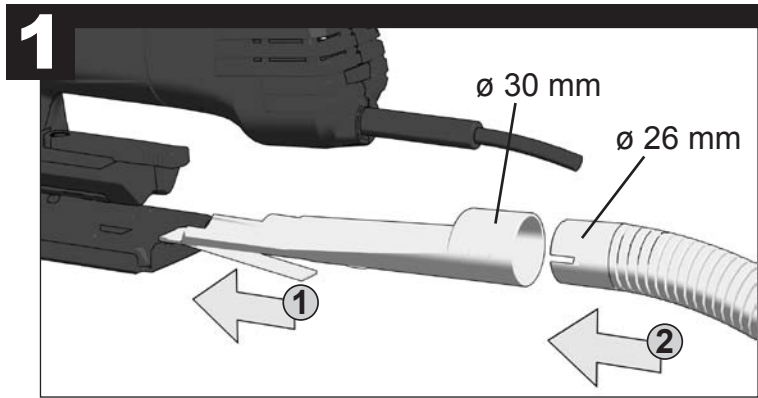
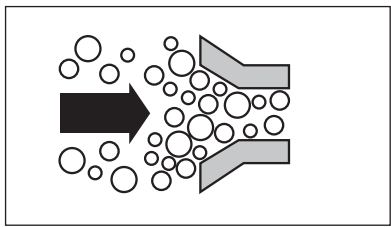


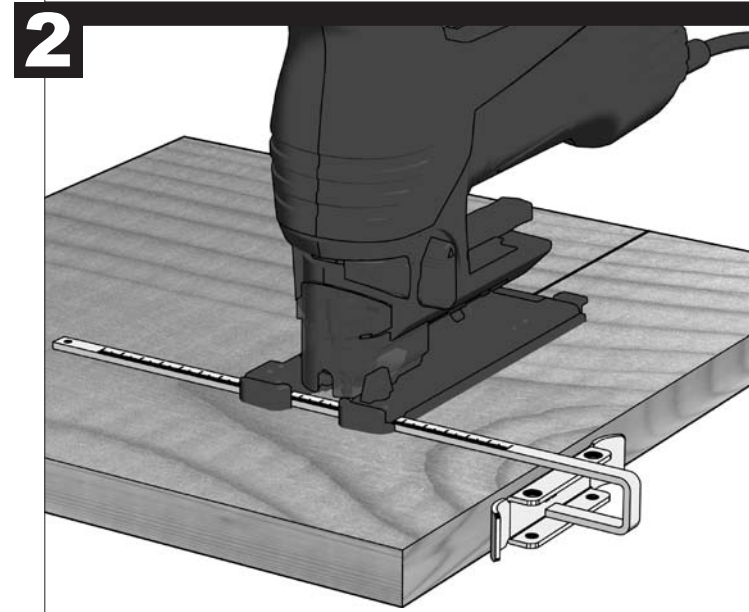
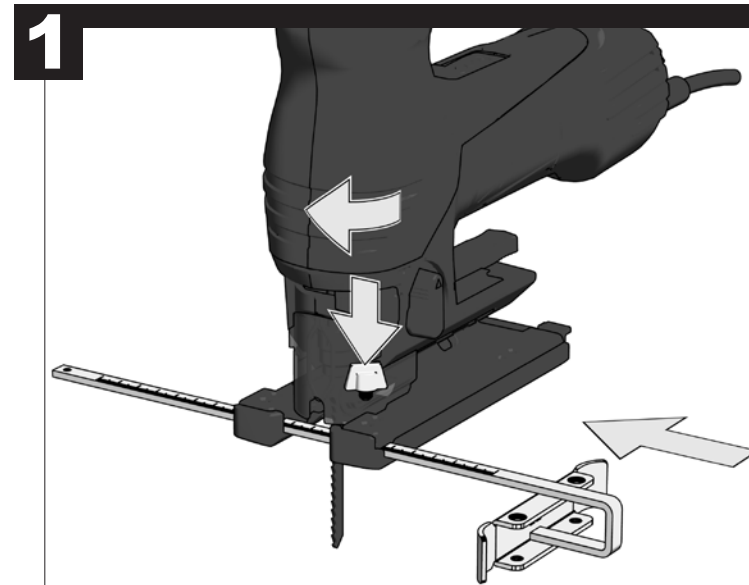
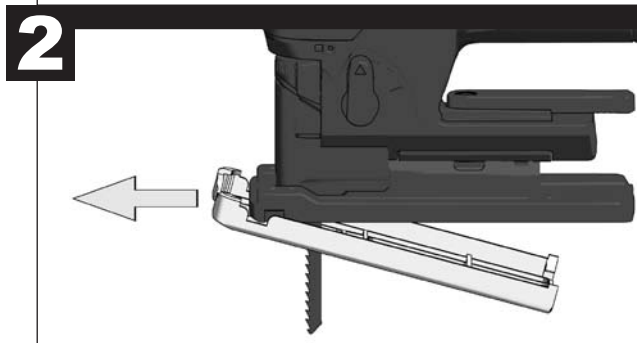
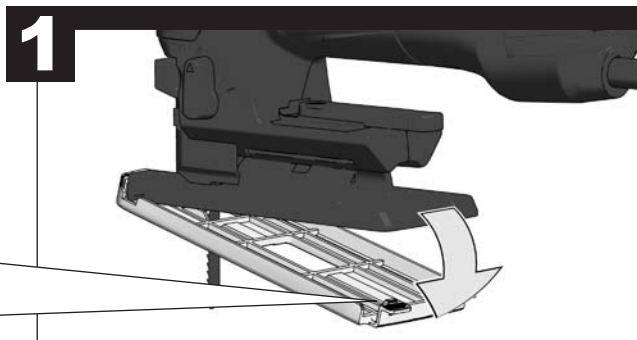
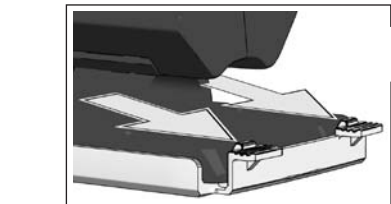
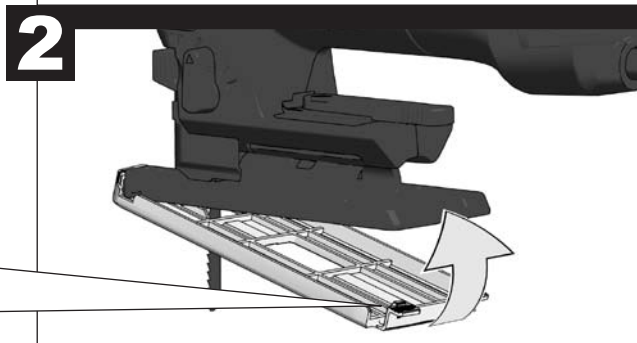
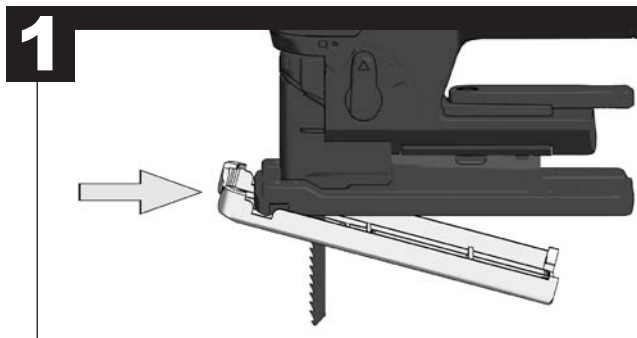
**STOP**

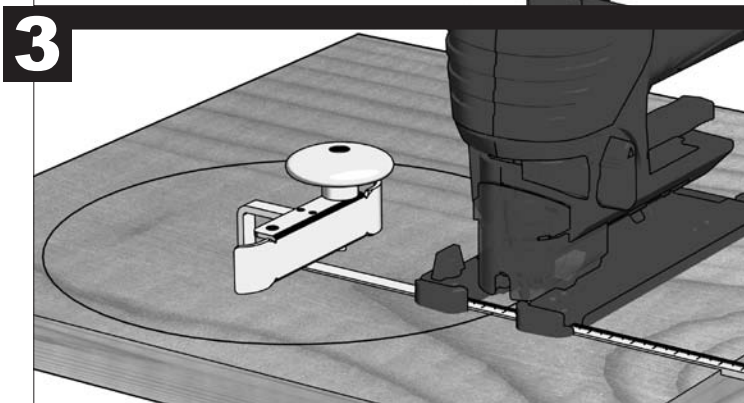
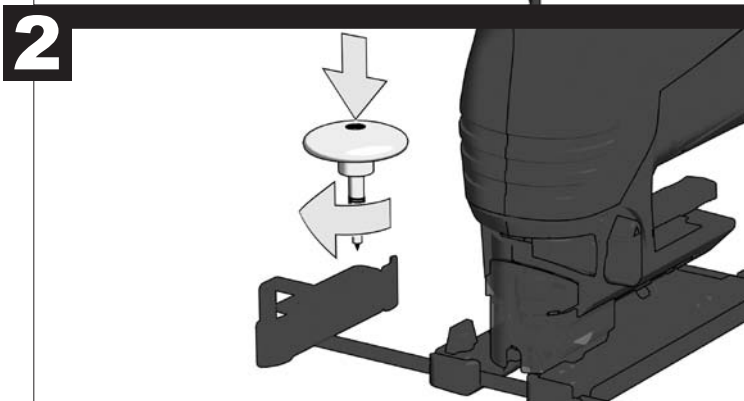
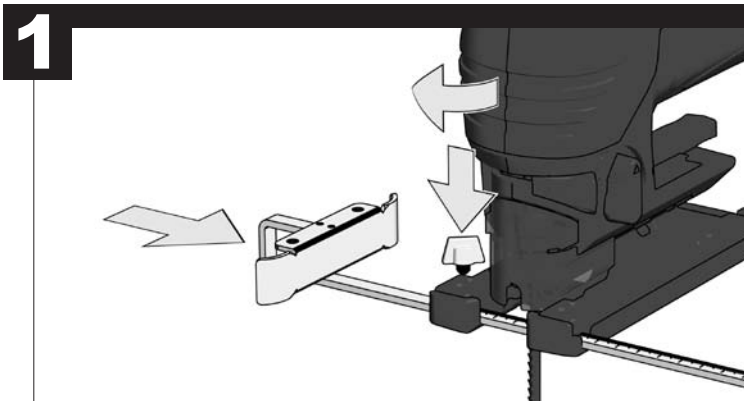


| G F E D C B A   |     |
|---|-----|
|  | G   |
|  | E-G |
|  | E-F |
|  | B-D |
|  | A   |









## TECHNICAL DATA

|   |                            |
|---|----------------------------|
| Rated input .....                             | 710 W                      |
| Output .....                                  | 390 W                      |
| Stroke rate under no-load .....               | 500-2800 min <sup>-1</sup> |
| Lengths of stroke .....                       | 26 mm                      |
| Bevel cuts up to .....                        | 45°                        |
| Cutting depth max. in:                        |                            |
| Wood .....                                    | 120 mm                     |
| Steel .....                                   | 10 mm                      |
| Aluminium .....                               | 30 mm                      |
| Weight according EPTA-Procedure 01/2003 ..... | 2,3 kg                     |

### Noise/vibration information

Measured values determined according to EN 60 745.

Typically, the A-weighted noise levels of the tool are:

|  |           |
|--|-----------|
| Sound pressure level (K = 3 dB(A)) ..... | 87 dB (A) |
| Sound power level (K = 3 dB(A)) .....    | 98 dB (A) |

### Wear ear protectors!

Total vibration values (vector sum in the three axes) determined according to EN 60745.

|   |                       |
|---|-----------------------|
| Sawing of wood                                |                       |
| Vibration emission value a <sub>v</sub> ..... | 10,5 m/s <sup>2</sup> |
| Uncertainty K .....                           | 1,5 m/s <sup>2</sup>  |
| Sawing of sheet metal                         |                       |
| Vibration emission value a <sub>v</sub> ..... | 10 m/s <sup>2</sup>   |
| Uncertainty K .....                           | 1,5 m/s <sup>2</sup>  |

## WARNING

The vibration emission level given in this information sheet has been measured in accordance with a standardised test given in EN 60745 and may be used to compare one tool with another. It may be used for a preliminary assessment of exposure.

The declared vibration emission level represents the main applications of the tool. However if the tool is used for different applications, with different accessories or poorly maintained, the vibration emission may differ. This may significantly increase the exposure level over the total working period.

An estimation of the level of exposure to vibration should also take into account the times when the tool is switched off or when it is running but not actually doing the job. This may significantly reduce the exposure level over the total working period.

Identify additional safety measures to protect the operator from the effects of vibration such as: maintain the tool and the accessories, keep the hands warm, organisation of work patterns.

**⚠ WARNING! Read all safety warnings and all instructions, including those given in the accompanying brochure.** Failure to follow the warnings and instructions may result in electric shock, fire and/or serious injury. **Save all warnings and instructions for future reference.**

## SAFETY INSTRUCTIONS

**Wear ear protectors.** Exposure to noise can cause hearing loss.

**Hold power tool by insulated gripping surfaces, when performing an operation where the cutting accessory may contact hidden wiring or its own cord.** Contact with a „live“ wire will also make exposed metal parts of the power tool „live“ and shock the operator.

Appliances used at many different locations including open air must be connected via a current surge preventing switch.

Always wear goggles when using the machine. It is recommended to wear gloves, sturdy non slipping shoes and apron.

Sawdust and splinters must not be removed while the machine is running.

Always disconnect the plug from the socket before carrying out any work on the machine.

Only plug-in when machine is switched off.

Keep mains lead clear from working range of the machine. Always lead the cable away behind you.

Always use the protective shields on the machine.

Do not use cracked or distorted saw blades.

Plunge cuts without pre-drilling a hole are possible with soft materials (wood, light building materials for walls). Harder materials (metals) must first be drilled with a hole corresponding to the size of the saw blade.

The dust that arises when working with this tool can be detrimental to health and therefore not reach the body. Wear a suitable dust protection mask.

## SPECIFIED CONDITIONS OF USE

This jig saw can cut wood, plastic and metal; it can cut straight lines, bevels, curves, and internal cut-outs.

Do not use this product in any other way as stated for normal use.

## EC-DECLARATION OF CONFORMITY

We declare under our sole responsibility that this product is in conformity with the following standards or standardized documents.

EN 60745-1:2009 + A11:2010  
EN 60745-2-11:2010  
EN 55014-1:2006 + A1:2009 + A2:2011  
EN 55014-2:1997 + A1:2001 + A2:2008  
EN 61000-3-2:2006 + A1:2009 + A2:2009  
EN 61000-3-3:2008  
in accordance with the regulations  
2011/65/EU (RoHs)  
2006/42/EC  
2004/108/EC



Winnenden, 2012-09-07

Rainer Kumpf  
Director Product Development

Authorized to compile the technical file

## MAINS CONNECTION

Connect only to single-phase a.c. current and only to the system voltage indicated on the rating plate. It is also possible to connect to sockets without an earthing contact as the design conforms to safety class II.

Under the effect of extreme electromagnetic interferences from the outside, temporary variations in the speed of rotation could arise in particular cases.

## MAINTENANCE

The ventilation slots of the machine must be kept clear at all times.

Use only Milwaukee accessories and spare parts. Should components need to be exchanged which have not been described, please contact one of our Milwaukee service agents (see our list of guarantee/service addresses).

If needed, an exploded view of the tool can be ordered. Please state the ten-digit No. as well as the machine type printed on the label and order the drawing at your local service agents or directly at: Milwaukee Electric Tool, Max-Eyth-Straße 10, D-71364 Winnenden, Germany.

## SYMBOLS



Please read the instructions carefully before starting the machine.



Always disconnect the plug from the socket before carrying out any work on the machine.



Accessory - Not included in standard equipment, available as an accessory.



Do not dispose of electric tools together with household waste material! In observance of European Directive 2002/96/EC on waste electrical and electronic equipment and its implementation in accordance with national law, electric tools that have reached the end of their life must be collected separately and returned to an environmentally compatible recycling facility.



Class II construction, tool in which protection against electric shock does not rely on basic insulation only, but in which additional safety precautions, such as double insulation or reinforced insulation, are provided.

## TECHNISCHE DATEN

|   |                            |
|---|----------------------------|
| Nennaufnahmeleistung.....               | 710 W                      |
| Abgabeleistung.....                     | 390 W                      |
| Leerlaufhubzahl.....                    | 500-2800 min <sup>-1</sup> |
| Hubhöhe.....                            | 26 mm                      |
| Schrägschnitte bis.....                 | 45°                        |
| Schnitttiefe max. in:                   |                            |
| Holz.....                               | 120 mm                     |
| Stahl.....                              | 10 mm                      |
| Aluminium.....                          | 30 mm                      |
| Gewicht nach EPTA-Prozedur 01/2003..... | 2,3 kg                     |

### Geräusch/Vibrationsinformation

Messwerte ermittelt entsprechend EN 60 745.

Der A-bewertete Geräuschpegel des Gerätes beträgt typischerweise:

|                                       |           |
|---------------------------------------|-----------|
| Schalldruckpegel (K=3 dB(A)).....     | 87 dB (A) |
| Schallleistungspegel (K=3 dB(A))..... | 98 dB (A) |

### Gehörschutz tragen!

Schwingungsgesamtwerte (Vektorsumme dreier Richtungen) ermittelt entsprechend EN 60745.

Sägen von Holz:

|                                      |                       |
|--------------------------------------|-----------------------|
| Schwingungsemissionswert $a_n$ ..... | 10,5 m/s <sup>2</sup> |
| Unsicherheit K =.....                | 1,5 m/s <sup>2</sup>  |

Sägen von Metallblech:

|                                      |                      |
|--------------------------------------|----------------------|
| Schwingungsemissionswert $a_n$ ..... | 10 m/s <sup>2</sup>  |
| Unsicherheit K =.....                | 1,5 m/s <sup>2</sup> |

## WARNUNG

Der in diesen Anweisungen angegebene Schwingungspegel ist entsprechend einem in EN 60745 genormten Messverfahren gemessen worden und kann für den Vergleich von Elektrowerkzeugen miteinander verwendet werden. Er eignet sich auch für eine vorläufige Einschätzung der Schwingungsbelastung.

Der angegebene Schwingungspegel repräsentiert die hauptsächlichsten Anwendungen des Elektrowerkzeugs. Wenn allerdings das Elektrowerkzeug für andere Anwendungen, mit abweichenden Einsatzwerkzeugen oder ungenügender Wartung eingesetzt wird, kann der Schwingungspegel abweichen. Dies kann die Schwingungsbelastung über den gesamten Arbeitszeitraum deutlich erhöhen.

Für eine genaue Abschätzung der Schwingungsbelastung sollten auch die Zeiten berücksichtigt werden, in denen das Gerät abgeschaltet ist oder zwar läuft, aber nicht tatsächlich im Einsatz ist. Dies kann die Schwingungsbelastung über den gesamten Arbeitszeitraum deutlich reduzieren.

Legen Sie zusätzliche Sicherheitsmaßnahmen zum Schutz des Bedieners vor der Wirkung von Schwingungen fest wie zum Beispiel: Wartung von Elektrowerkzeug und Einsatzwerkzeugen, Warmhalten der Hände, Organisation der Arbeitsabläufe.

**⚠ WARNUNG! Lesen Sie alle Sicherheitshinweise und Anweisungen, auch die in der beiliegenden Broschüre.** Versäumnisse bei der Einhaltung der Sicherheitshinweise und Anweisungen können elektrischen Schlag, Brand und/oder schwere Verletzungen verursachen.  
**Bewahren Sie alle Sicherheitshinweise und Anweisungen für die Zukunft auf.**

## SPEZIELLE SICHERHEITSHINWEISE

**Tragen Sie Gehörschutz.** Die Einwirkung von Lärm kann Hörverlust bewirken.

**Halten Sie das Gerät an den isolierten Griffflächen, wenn Sie Arbeiten ausführen, bei denen das Einsatzwerkzeug verborgene Stromleitungen oder das eigene Kabel treffen kann.** Der Kontakt mit einer spannungsführenden Leitung setzt auch die metallenen Geräteteile unter Spannung und führt zu einem elektrischen Schlag.

Steckdosen in Außenbereichen müssen mit Fehlerstrom-Schutzschaltern ausgerüstet sein. Das verlangt die Installationsvorschrift für Ihre Elektroanlage. Bitte beachten Sie das bei der Verwendung unseres Gerätes.

Beim Arbeiten mit der Maschine stets Schutzbrille tragen. Schutzhandschuhe, festes und rutschsicheres Schuhwerk und Schürze werden empfohlen.

Späne oder Splitter dürfen bei laufender Maschine nicht entfernt werden.

Vor allen Arbeiten an der Maschine Stecker aus der Steckdose ziehen.

Maschine nur ausgeschaltet an die Steckdose anschließen.

## BESTIMMUNGSGEMÄßE VERWENDUNG

Die Stichsäge sägt Holz, Kunststoff und Metall. Sie schneidet Geraden, Gehrungen, Kurven und Innenausschnitte.

Dieses Gerät darf nur wie angegeben bestimmungsgemäß verwendet werden.

## CE-KONFORMITÄTSERKLÄRUNG

Wir erklären in alleiniger Verantwortung, dass dieses Produkt mit den folgenden Normen oder normativen Dokumenten übereinstimmt:

EN 60745-1:2009 + A11:2010

EN 60745-2-11:2010

EN 55014-1:2006 + A1:2009 + A2:2011

EN 55014-2:1997 + A1:2001 + A2:2008

EN 61000-3-2:2006 + A1:2009 + A2:2009

EN 61000-3-3:2008

gemäß den Bestimmungen der Richtlinien

2011/65/EU (RoHS)

2006/42/EG

2004/108/EG



Winnenden, 2012-09-07

Rainer Kumpf  
Director Product Development

Bevollmächtigt die technischen Unterlagen zusammenzustellen

## NETZANSCHLUSS

Nur an Einphasen-Wechselstrom und nur an die auf dem Leistungsschild angegebene Netzspannung anschließen. Anschluss ist auch an Steckdosen ohne Schutzkontakt möglich, da ein Aufbau der Schutzklasse II vorliegt.

Unter Einwirkung extremer elektromagnetischer Störungen von außen, können im Einzelfall vorübergehende Drehzahlschwankungen auftreten.

## WARTUNG

Stets die Lüftungsschlitze der Maschine sauber halten.

Nur Milwaukee Zubehör und Ersatzteile verwenden. Bauteile, deren Austausch nicht beschrieben wurde, bei einer Milwaukee Kundendienststelle auswechseln lassen (Broschüre Garantie/Kundendienstadressen beachten).

Bei Bedarf kann eine Explosionszeichnung des Gerätes unter Angabe der Maschinen Type und der zehnstelligen Nummer auf dem Leistungsschild bei Ihrer Kundendienststelle oder direkt bei Milwaukee Electric Tool, Max-Eyth-Straße 10, D-71364 Winnenden, Germany angefordert werden.

## SYMBOL



Bitte lesen Sie die Gebrauchsanweisung vor Inbetriebnahme sorgfältig durch.



Vor allen Arbeiten an der Maschine Stecker aus der Steckdose ziehen.



Zubehör - Im Lieferumfang nicht enthalten, empfohlene Ergänzung aus dem Zubehörprogramm.



Werfen Sie Elektrowerkzeuge nicht in den Hausmüll! Gemäss Europäischer Richtlinie 2002/96/EG über Elektro- und Elektronik-Altgeräte und Umsetzung in nationales Recht müssen verbrauchte Elektrowerkzeuge getrennt gesammelt und einer umweltgerechten Wiederverwertung zugeführt werden.



Schutzklasse II, Elektrowerkzeug, bei dem der Schutz gegen elektrischen Schlag nicht nur von der Basisisolierung abhängt, sondern in dem zusätzliche Schutzmaßnahmen, wie doppelte Isolierung oder verstärkte Isolierung, angewendet werden.

## CARACTÉRISTIQUES TECHNIQUES

|  |                            |
|--|----------------------------|
| Puissance nominale de réception.....       | 710 W                      |
| Puissance utile .....                      | 390 W                      |
| Nombre de courses à vide.....              | 500-2800 min <sup>-1</sup> |
| Hauteur de la course .....                 | 26 mm                      |
| Coupe de biais jusqu'à .....               | 45°                        |
| Profondeur de coupe max. :                 |                            |
| Bois.....                                  | 120 mm                     |
| Acier .....                                | 10 mm                      |
| Aluminium .....                            | 30 mm                      |
| Poids suivant EPTA-Procédure 01/2003 ..... | 2,3 kg                     |

### Informations sur le bruit et les vibrations

Valeurs de mesure obtenues conformément à la EN 60 745.

Les mesures réelles (A) des niveaux acoustiques de l'appareil sont :

|   |           |
|---|-----------|
| Niveau d'intensité acoustique (K=3 dB(A)) ..... | 87 dB (A) |
| Niveau de pression acoustique (K=3 dB(A)) ..... | 98 dB (A) |

### Toujours porter une protection acoustique!

Valeurs totales des vibrations (somme vectorielle de trois sens) établies conformément à EN 60745.

|   |                       |
|---|-----------------------|
| Sciage du bois                                    |                       |
| Valeur d'émission vibratoire a <sub>h</sub> ..... | 10,5 m/s <sup>2</sup> |
| Incertitude K .....                               | 1,5 m/s <sup>2</sup>  |
| Sciage de la tôle métallique                      |                       |
| Valeur d'émission vibratoire a <sub>h</sub> ..... | 10 m/s <sup>2</sup>   |
| Incertitude K .....                               | 1,5 m/s <sup>2</sup>  |

## AVERTISSEMENT

Le niveau vibratoire indiqué dans ces instructions a été mesuré selon un procédé de mesure normalisé dans la norme EN 60745 et peut être utilisé pour comparer des outils électriques entre eux. Il convient aussi à une estimation provisoire de la sollicitation par les vibrations.

Le niveau vibratoire indiqué représente les applications principales de l'outil électrique. Toutefois, si l'outil électrique est utilisé pour d'autres applications, avec des outils rapportés qui diffèrent ou une maintenance insuffisante, il se peut que le niveau vibratoire diverge. Cela peut augmenter nettement la sollicitation par les vibrations sur tout l'intervalle de temps du travail.

Pour une estimation précise de la sollicitation par les vibrations, on devrait également tenir compte des temps pendant lesquels l'appareil n'est pas en marche ou tourne sans être réellement en service. Cela peut réduire nettement la sollicitation par les vibrations sur tout l'intervalle de temps du travail.

Définissez des mesures de sécurité supplémentaires pour protéger l'utilisateur contre l'influence des vibrations, comme par exemple : la maintenance de l'outil électrique et des outils rapportés, le maintien au chaud des mains, l'organisation des déroulements de travail.

**⚠ AVERTISSEMENT! Lisez toutes les consignes de sécurité et les instructions, même celles qui se trouvent dans la brochure ci-jointe.** Le non-respect des avertissements et instructions indiqués ci après peut entraîner un choc électrique, un incendie et/ou de graves blessures sur les personnes.  
**Bien garder tous les avertissements et instructions.**

## INSTRUCTIONS DE SÉCURITÉ PARTICULIÈRES

**Portez une protection acoustique.** L'influence du bruit peut provoquer la surdité.

**Maintenez l'appareil par les surfaces de poignée isolées lorsque vous exécutez des travaux pendant lesquels l'outil de coupe peut toucher des lignes électriques dissimulées ou le propre câble.** Le contact avec un câble sous tension met les parties métalliques de l'appareil sous tension et provoque une décharge électrique.

Les prises de courant se trouvant à l'extérieur doivent être équipées de disjoncteurs différentiel conformément aux prescriptions de mise en place de votre installation électrique. Veuillez en tenir compte lors de l'utilisation de notre appareil.

Toujours porter des lunettes protectrices en travaillant avec la machine. Des gants de sécurité, des chaussures solides et à semelles antidérapantes et un tablier sont recommandés.

Ne jamais enlever les copeaux ni les éclats lorsque la machine est en marche.

Avant tous travaux sur la machine extraire la fiche de la prise de courant.

## DECLARATION CE DE CONFORMITÉ

Nous déclarons sous notre responsabilité que ce produit est en conformité avec les normes ou documents normalisés suivants

EN 60745-1:2009 + A11:2010  
EN 60745-2-11:2010  
EN 55014-1:2006 + A1:2009 + A2:2011  
EN 55014-2:1997 + A1:2001 + A2:2008  
EN 61000-3-2:2006 + A1:2009 + A2:2009  
EN 61000-3-3:2008  
conformément aux réglementations  
2011/65/EU (RoHS)  
2006/42/CE  
2004/108/CE



Winnenden, 2012-09-07

Rainer Kumpf  
Director Product Development

Autorisé à compiler la documentation technique.

## BRANCHEMENT SECTEUR

Raccorder uniquement à un courant électrique monophasé et uniquement à la tension secteur indiquée sur la plaque signalétique. Le raccordement à des prises de courant sans contact de protection est également possible car la classe de protection II est donnée.

En cas de perturbations électromagnétiques extérieures extrêmes, il peut y avoir, dans des cas isolés, des variations temporaires de la vitesse de rotation.

## ENTRETIEN

Tenir toujours propres les orifices de ventilation de la machine.

N'utiliser que des pièces et accessoires Milwaukee. Pour des pièces dont l'échange n'est pas décrit, s'adresser de préférence aux stations de service après-vente Milwaukee (voir brochure Garantie/Adresses des stations de service après-vente).

Si besoin est, une vue éclatée de l'appareil peut être fournie. S'adresser, en indiquant bien le numéro à dix chiffres porté sur la plaque signalétique, à votre station de service après-vente (voir liste jointe) ou directement à Milwaukee Electric Tool, Max-Eyth-Straße 10, D-71364 Winnenden, Germany.

Ne raccorder la machine au réseau que si l'interrupteur est en position arrêt.

Le câble d'alimentation doit toujours se trouver en dehors du champ d'action de la machine. Toujours maintenir le câble d'alimentation à l'arrière de la machine.

Il est absolument impératif d'utiliser le dispositif protecteur de la machine.

Ne pas utiliser de lames de scie fissurées ou déformées.

Le sciage en plongée n'est possible que dans des matériaux tendres (bois, matériaux de construction légers pour les murs). Si les matériaux sont plus durs (métaux), une percée plus importante doit être faite au moyen de la lame.

Les poussières qui sont dégagées pendant les travaux sont souvent nocives pour la santé et ne devraient pas pénétrer dans le corps. Porter un masque de protection approprié contre les poussières.

## UTILISATION CONFORME AUX PRESCRIPTIONS

La scie sauteuse permet de scier du bois, des matières plastiques et du métal. Elle permet des découpes rectilignes et curvilignes, des coupes d'onglet et des découpes intérieures.

Comme déjà indiqué, cette machine n'est conçue que pour être utilisée conformément aux prescriptions.

## SYMBOLES



Veillez lire avec soin le mode d'emploi avant la mise en service



Avant tous travaux sur la machine extraire la fiche de la prise de courant.



Accessoires - Ces pièces ne font pas partie de la livraison. Il s'agit là de compléments recommandés pour votre machine et énumérés dans le catalogue des accessoires.



Ne pas jeter les appareils électriques dans les ordures ménagères! Conformément à la directive européenne 2002/96/EG relative aux déchets d'équipements électriques ou électroniques (DEEE), et à sa transposition dans la législation nationale, les appareils électriques doivent être collectés à part et être soumis à un recyclage respectueux de l'environnement.



Classe de protection II, outil électrique au niveau duquel la protection contre la foudre ne dépend pas uniquement de l'isolation de base et au niveau duquel des mesures de protection ultérieures ont été prises, telles que la double isolation ou l'isolation augmentée.

## DATI TECNICI

|  |                            |
|--|----------------------------|
| Potenza assorbita nominale.....              | 710 W                      |
| Potenza erogata .....                        | 390 W                      |
| Numero di corse a vuoto .....                | 500-2800 min <sup>-1</sup> |
| Altezza corsa .....                          | 26 mm                      |
| Tagli obliqui fino a .....                   | 45°                        |
| Massima profondità di taglio nel:            |                            |
| Legno .....                                  | 120 mm                     |
| Acciaio .....                                | 10 mm                      |
| Alluminio .....                              | 30 mm                      |
| Peso secondo la procedura EPTA 01/2003 ..... | 2,3 kg                     |

### Informazioni sulla rumorosità/sulle vibrazioni

Valori misurati conformemente alla norma EN 60 745.

La misurazione A del livello di pressione acustica dell'utensile è di solito di:

|  |           |
|--|-----------|
| Potenza della rumorosità (K = 3 dB(A)) ..... | 87 dB (A) |
| Livello di rumorosità (K = 3 dB(A)) .....    | 98 dB (A) |

### Utilizzare le protezioni per l'udito!

Valori totali delle oscillazioni (somma di vettori in tre direzioni) misurati conformemente alla norma EN 60745

Segatura di legno

|  |                       |
|--|-----------------------|
| Valore di emissione dell'oscillazione a <sub>n</sub> ..... | 10,5 m/s <sup>2</sup> |
| Incertezza della misura K .....                            | 1,5 m/s <sup>2</sup>  |

Segatura di lamiera

|  |                      |
|--|----------------------|
| Valore di emissione dell'oscillazione a <sub>n</sub> ..... | 10 m/s <sup>2</sup>  |
| Incertezza della misura K .....                            | 1,5 m/s <sup>2</sup> |

## AVVERTENZA

Il livello di vibrazioni indicato nelle presenti istruzioni è stato misurato in conformità con un procedimento di misurazione codificato nella EN 60745 e può essere utilizzato per un confronto tra attrezzi elettrici. Inoltre si può anche utilizzare per una valutazione preliminare della sollecitazione da vibrazioni.

Il livello di vibrazioni indicato rappresenta le applicazioni principali dell'attrezzo elettrico. Se viceversa si utilizza l'attrezzo elettrico per altri scopi, con accessori differenti o con una manutenzione insufficiente, il livello di vibrazioni può risultare diverso. E questo può aumentare decisamente la sollecitazione da vibrazioni lungo l'intero periodo di lavorazione.

Ai fini di una valutazione precisa della sollecitazione da vibrazioni si dovrebbero tenere presente anche i periodi in cui l'apparecchio rimane spento oppure, anche se acceso, non viene effettivamente utilizzato. Ciò può ridurre notevolmente la sollecitazione da vibrazioni lungo l'intero periodo di lavorazione.

Stabilite misure di sicurezza supplementari per la tutela dell'operatore dall'effetto delle vibrazioni, come ad esempio: manutenzione dell'attrezzo elettrico e degli accessori, riscaldamento delle mani, organizzazione dei processi di lavoro.

**⚠ AVVERTENZA! E' necessario leggere tutte le indicazioni di sicurezza e le istruzioni, anche quelle contenute nella brochure allegata.** In caso di mancato rispetto delle avvertenze di pericolo e delle istruzioni operative si potrà creare il pericolo di scosse elettriche, incendi e/o incidenti gravi.  
**Conservare tutte le avvertenze di pericolo e le istruzioni operative per ogni esigenza futura.**

## NORME DI SICUREZZA

**Indossare protezioni acustiche adeguate.** L'esposizione prolungata al rumore senza protezione può causare danni all'udito.

**Impugnare l'apparecchio sulle superfici di tenuta isolate mentre si eseguono lavori durante i quali l'utensile da taglio potrebbe entrare in contatto con cavi di corrente o con il proprio cavo d'alimentazione.** In caso di contatto con una linea portatrice di tensione anche le parti metalliche della macchina vengono sottoposte a tensione provocando una scossa di corrente elettrica.

Gli apparecchi mobili usati all'aperto devono essere collegati interponendo un interruttore di sicurezza per guasti di corrente.

Durante l'uso dell'apparecchio utilizzare sempre gli occhiali di protezione. Inoltre si consiglia di usare sistemi di protezione per la respirazione e per l'udito, oltre ai guanti di protezione.

Non rimuovere trucioli o schegge mentre l'utensile è in funzione.

Prima di effettuare qualsiasi lavoro sulla macchina togliere la spina dalla presa di corrente.

Inserire la spina solo con interruttore su posizione "OFF".

Tenere sempre lontano il cavo di collegamento dall'area di lavoro dell'attrezzo.

Usare sempre il dispositivo di protezione dell'apparecchio.

Non devono essere utilizzate né lame incrinata né lame la cui forma abbia subito alterazioni.

E' possibile effettuare tagli ad immersione solo nei materiali dolci (legno, materiali per costruzione leggera) per i materiali (metalli) duri è invece necessario praticare un foro adatto alle dimensioni della lama.

La polvere che si produce durante il lavoro è spesso dannosa per la salute e non dovrebbe essere aspirata. Portare un'adeguata mascherina protettiva.

## UTILIZZO CONFORME

Questo seghetto alternativo può essere utilizzato per lavorare legno, materiale sintetico e acciaio: per effettuare tagli diritti e obliqui, curve e per tagli all' interno del materiale.

Utilizzare il prodotto solo per l'uso per cui è previsto.

## DICHIARAZIONE DI CONFORMITÀ CE

Dichiariamo, assumendo la piena responsabilità di tale dichiarazione, che il prodotto è conforme alla seguenti normative e ai relativi documenti:

EN 60745-1:2009 + A11:2010  
EN 60745-2-11:2010  
EN 55014-1:2006 + A1:2009 + A2:2011  
EN 55014-2:1997 + A1:2001 + A2:2008  
EN 61000-3-2:2006 + A1:2009 + A2:2009  
EN 61000-3-3:2008  
in base alle prescrizioni delle direttive  
2011/65/EU (RoHS)  
2006/42/CE  
2004/108/CE



Winnenden, 2012-09-07

Rainer Kumpf  
Director Product Development

Autorizzato alla preparazione della documentazione tecnica

## COLLEGAMENTO ALLA RETE

Connettere solo corrente alternata mono fase e solo al sistema di voltaggio indicato sulla piastra. E' possibile anche connettere la presa senza un contatto di messa a terra così come prevede lo schema conforme alla norme di sicurezza di classe II.

Il numero di giri potrebbe essere influenzato da causali interferenze elettromagnetiche esterne.

## MANUTENZIONE

Tener sempre ben pulite le fessure di ventilazione dell'apparecchio.

Utilizzare esclusivamente accessori e pezzi di ricambio Milwaukee. L'installazione di pezzi di ricambio non specificamente prescritti dall'Milwaukee va preferibilmente effettuata dal servizio di assistenza clienti Milwaukee (ved. opuscolo Garanzia/Indirizzi Assistenza tecnica).

In caso di mancanza del disegno esploso, può essere richiesto al seguente indirizzo: Milwaukee Electric Tool, Max-Eyth-Straße 10, D-71364 Winnenden, Germany.

## SIMBOLI



Leggere attentamente le istruzioni per l'uso prima di mettere in funzione l'elettrotensile.



Prima di effettuare qualsiasi lavoro sulla macchina togliere la spina dalla presa di corrente.



Accessorio - Non incluso nella dotazione standard, disponibile a parte come accessorio.



Non gettare le apparecchiature elettriche tra i rifiuti domestici. Secondo la Direttiva Europea 2002/96/CE sui rifiuti di apparecchiature elettriche ed elettroniche e la sua attuazione in conformità alle norme nazionali, le apparecchiature elettriche esauste devono essere accolte separatamente, al fine di essere reimpiegate in modo eco-compatibile.



Classe di protezione II, utensile elettrico sul quale la protezione contro la folgorazione elettrica non dipende soltanto dall'isolamento di base e sul quale trovano applicazione ulteriori misure di protezione, come il doppio isolamento o l'isolamento maggiorato.

## DATOS TÉCNICOS

|  |                            |
|--|----------------------------|
| Potencia de salida nominal.....                        | 710 W                      |
| potencia entregada.....                                | 390 W                      |
| Nº de carreras en vacío.....                           | 500-2800 min <sup>-1</sup> |
| Carrera.....   | 26 mm                      |
| Cortes sesgados hasta.....                             | 45°                        |
| Profundidad de corte máx. en:                          |                            |
| Madera.....  | 120 mm                     |
| Acero.....   | 10 mm                      |
| Aluminio.....  | 30 mm                      |
| Peso de acuerdo con el procedimiento EPTA 01/2003..... | 2,3 kg                     |

### Información sobre ruidos / vibraciones

Determinación de los valores de medición según norma EN 60 745.

El nivel de ruido típico del aparato determinado con un filtro

A corresponde a:

|                                      |           |
|--------------------------------------|-----------|
| Resonancia acústica (K=3 dB(A))..... | 87 dB (A) |
| Presión acústica (K=3 dB(A)).....    | 98 dB (A) |

### Usar protectores auditivos!

Nivel total de vibraciones (suma vectorial de tres direcciones) determinado según EN 60745.

aserrado de madera

|  |                       |
|--|-----------------------|
| Valor de vibraciones generadas $a_h$ ..... | 10,5 m/s <sup>2</sup> |
| Tolerancia K.....                          | 1,5 m/s <sup>2</sup>  |

aserrado de chapa metálica

|  |                      |
|--|----------------------|
| Valor de vibraciones generadas $a_h$ ..... | 10 m/s <sup>2</sup>  |
| Tolerancia K.....                          | 1,5 m/s <sup>2</sup> |

## ADVERTENCIA

El nivel vibratorio indicado en estas instrucciones ha sido medido conforme a un método de medición estandarizado en la norma EN 60745, y puede utilizarse para la comparación entre herramientas eléctricas. También es apropiado para una estimación provisional de la carga de vibración.

El nivel vibratorio indicado representa las aplicaciones principales de la herramienta eléctrica. Si, pese a ello, se utiliza la herramienta eléctrica para otras aplicaciones, con útiles adaptables diferentes o con un mantenimiento insuficiente, el nivel vibratorio puede diferir. Esto puede incrementar sensiblemente la carga de vibración durante todo el periodo de trabajo.

Para una estimación exacta de la carga de vibración deberían tenerse en cuenta también los tiempos durante los que el aparato está apagado o, pese a estar en funcionamiento, no está siendo realmente utilizado. Esto puede reducir sustancialmente la carga de vibración durante todo el periodo de trabajo.

Adopte medidas de seguridad adicionales para la protección del operador frente al efecto de las vibraciones, como por ejemplo: mantenimiento de la herramienta eléctrica y de los útiles adaptables, mantener las manos calientes, organización de los procesos de trabajo.

**⚠ ADVERTENCIA! Rogamos leer las indicaciones de seguridad y las instrucciones, también las que contiene el folleto adjunto.** En caso de no atenderse a las advertencias de peligro e instrucciones siguientes, ello puede ocasionar una descarga eléctrica, un incendio y/o lesión grave.

**Guardar todas las advertencias de peligro e instrucciones para futuras consultas.**

## INSTRUCCIONES DE SEGURIDAD

**¡Utilice protección auditiva!** La exposición a niveles de ruido excesivos puede causar pérdida de audición

**Sujete el aparato de las superficies aisladas de agarre al efectuar trabajos en los cuales la perforadora de percusión pueda entrar en contacto con conductores de corriente ocultos o con el propio cable.** El contacto con conductores portadores de tensión puede hacer que las partes metálicas del aparato le provoquen una descarga eléctrica.

Conecte siempre la máquina a una red protegida por interruptor diferencial y magnetotérmico, para su seguridad personal, según normas establecidas para instalaciones eléctricas de baja tensión.

Para trabajar con la máquina, utilizar siempre gafas de protección, guantes, calzado de seguridad antideslizante, así como es recomendable usar protectores auditivos.

Nunca se debe intentar limpiar el polvo o viruta procedente del taladrado con la máquina en funcionamiento.

Desconecte siempre el enchufe antes de llevar a cabo cualquier trabajo en la máquina.

## DECLARACION DE CONFORMIDAD CE

Declaramos bajo nuestra sola responsabilidad que este producto está en conformidad con las normas o documentos normalizados siguientes.

EN 60745-1:2009 + A11:2010

EN 60745-2-11:2010

EN 55014-1:2006 + A1:2009 + A2:2011

EN 55014-2:1997 + A1:2001 + A2:2008

EN 61000-3-2:2006 + A1:2009 + A2:2009

EN 61000-3-3:2008

de acuerdo con las regulaciones

2011/65/EU (RoHS)

2006/42/CE

2004/108/CE



Winnenden, 2012-09-07

Rainer Kumpf

Director Product Development

Autorizado para la redacción de los documentos técnicos.

## CONEXIÓN ELÉCTRICA

Conectar solamente a corriente AC monofásica y sólo al voltaje indicado en la placa de características. También es posible la conexión a enchufes sin toma a tierra, dado que es conforme a la Clase de Seguridad II

Bajo el efecto de interferencias electromagnéticas extremas del exterior, en algunos casos podrían surgir variaciones temporales en la velocidad de rotación.

## MANTENIMIENTO

Las ranuras de ventilación de la máquina deben estar despejadas en todo momento.

Solo se deben utilizar accesorios y piezas de repuestos Milwaukee. Piezas cuyo recambio no está descrito en las instrucciones de uso, deben sustituirse en un centro de asistencia técnica Milwaukee (Consulte el folleto Garantía/ Direcciones de Centros de Asistencia Técnica).

En caso necesario, puede solicitar un despiece de la herramienta. Por favor indique el número de impreso de diez dígitos que hay en la etiqueta y pida el despiece a la siguiente dirección: Milwaukee Electric Tool, Max-Eyth-Straße 10, D-71364 Winnenden, Germany.

## SÍMBOLOS



Lea las instrucciones detenidamente antes de conectar la herramienta



Desconecte siempre el enchufe antes de llevar a cabo cualquier trabajo en la máquina.



Accesorio - No incluido en el equipo estándar, disponible en la gama de accesorios.



¡No deseche los aparatos eléctricos junto con los residuos domésticos! De conformidad con la Directiva Europea 2002/96/CE sobre residuos de aparatos eléctricos y electrónicos y su aplicación de acuerdo con la legislación nacional, las herramientas eléctricas cuya vida útil haya llegado a su fin se deberán recoger por separado y trasladar a una planta de reciclaje que cumpla con las exigencias ecológicas.



Clase de protección II, herramientas eléctricas, en las cuales la protección contra descargas eléctricas no sólo depende del aislamiento básico, sino en las cuales se adoptan medidas de protección adicionales como un doble aislamiento o un aislamiento reforzado.



## CARACTERÍSTICAS TÉCNICAS

|   |                            |
|---|----------------------------|
| Potência absorvida nominal .....                  | 710 W                      |
| Potência de saída.....                            | 390 W                      |
| Nº. de cursos em vazio.....                       | 500-2800 min <sup>-1</sup> |
| Curso .....                                       | 26 mm                      |
| Cortes oblíquos até .....                         | 45°                        |
| Profundidade de corte máx. em<br>Madeira.....     | 120 mm                     |
| Aço .....   | 10 mm                      |
| Alumínio.....                                     | 30 mm                      |
| Peso nos termos do procedimento-EPTA 01/2003..... | 2,3 kg                     |

### Informações sobre ruído/vibração

Valores de medida de acordo com EN 60 745.

O nível de ruído avaliado A do aparelho é tipicamente:

|  |           |
|--|-----------|
| Nível da pressão de ruído (K=3 dB(A)) .....  | 87 dB (A) |
| Nível da potência de ruído (K=3 dB(A)) ..... | 98 dB (A) |

### Use protectores auriculares!

Valores totais de vibração (soma dos vectores das três direcções) determinadas conforme EN 60745.

|  |                       |
|--|-----------------------|
| Serrar madeira                           |                       |
| Valor de emissão de vibração $a_h$ ..... | 10,5 m/s <sup>2</sup> |
| Incerteza K= .....                       | 1,5 m/s <sup>2</sup>  |
| Serrar chapa metálica                    |                       |
| Valor de emissão de vibração $a_h$ ..... | 10 m/s <sup>2</sup>   |
| Incerteza K= .....                       | 1,5 m/s <sup>2</sup>  |

## ATENÇÃO

O nível vibratório indicado nestas instruções foi medido em conformidade com um procedimento de medição normalizado na EN 60745 e pode ser utilizado para comparar entre si ferramentas eléctricas. O mesmo é também adequado para avaliar provisoriamente o esforço vibratório.

O nível vibratório indicado representa as principais aplicações da ferramenta eléctrica. Se, no entanto, a ferramenta eléctrica for utilizada para outras aplicações, com outras ferramentas adaptadas ou uma manutenção insuficiente, o nível vibratório poderá divergir. Isto pode aumentar consideravelmente o esforço vibratório ao longo de todo o período do trabalho.

Para uma avaliação exacta do esforço vibratório devem também ser considerados os tempos durante os quais o aparelho está desligado ou está a funcionar, mas não está efectivamente a ser utilizado. Isto pode reduzir consideravelmente o esforço vibratório ao longo de todo o período do trabalho.

Defina medidas de segurança suplementares para proteger o operador do efeito das vibrações, como por exemplo: manutenção da ferramenta eléctrica e das ferramentas adaptadas, manter as mãos quentes, organização das sequências de trabalho.

**⚠ ATENÇÃO! Leia todas as instruções de segurança e todas as instruções, também aquelas que constam na brochura junta. O desrespeito das advertências e instruções apresentadas abaixo pode causar choque eléctrico, incêndio e/ou graves lesões. Guarde bem todas as advertências e instruções para futura referência.**

## INSTRUÇÕES DE SEGURANÇA

**Sempre use a protecção dos ouvidos.** A influência de ruídos pode causar surdez.

**Segure o aparelho nas superfícies de punho isoladas se estiver a executar trabalhos, nos quais a ferramenta de corte pode tocar em linhas eléctricas escondidas ou no próprio cabo.** O contacto da ferramenta de corte com uma linha sob tensão também pode colocar peças metálicas do aparelho sob tensão e levar a um choque eléctrico.

Aparelhos não estacionários, utilizados ao ar livre, devem ser protegidos por um disjuntor de corrente de defeito.

Usar sempre óculos de protecção ao trabalhar com a máquina. Recomenda-se a utilização de luvas de protecção, protectores para os ouvidos e máscara anti-poeiras.

Não remover aparas ou lascas enquanto a máquina trabalha.

Antes de efectuar qualquer intervenção na máquina, tirar a ficha da tomada.

Ao ligar à rede, a máquina deve estar desligada.

Manter sempre o cabo de ligação fora da zona de acção da máquina.

Nunca utilizar a máquina sem dispositivo de protecção.

Não utilizar lâminas de corte fissuradas ou deformadas.

Cortes envaziados só são possíveis em materiais não muito consistentes (madeira, aglomerados ligeiros para paredes). Em materiais mais duros (metais) é necessário efectuar uma furação na qual caiba a lâmina de corte.

O pó que resulta ao trabalhar pode ser nocivo para a saúde, por isso não devendo penetrar no corpo. Use uma máscara de protecção contra pó apropriada.

## UTILIZAÇÃO AUTORIZADA

A serra tico-tico corta madeira, plástico e metal. Efectua cortes direitos, oblíquos, curvas e envaziados.

Não use este produto de outra maneira sem ser a normal para o qual foi concebido.

## DECLARAÇÃO DE CONFORMIDADE CE

Declaramos, sob nossa exclusiva responsabilidade, que este produto cumpre as seguintes normas ou documentos normativos:

EN 60745-1:2009 + A11:2010  
EN 60745-2-11:2010  
EN 55014-1:2006 + A1:2009 + A2:2011  
EN 55014-2:1997 + A1:2001 + A2:2008  
EN 61000-3-2:2006 + A1:2009 + A2:2009  
EN 61000-3-3:2008  
conforme as disposições das directivas  
2011/65/EU (RoHS)  
2006/42/CE  
2004/108/CE



Winnenden, 2012-09-07

Rainer Kumpf  
Director Product Development

Autorizado a reunir a documentação técnica.

## LIGAÇÃO À REDE

Só conectar à corrente alternada monofásica e só à tensão de rede indicada na placa de potência. A conexão às tomadas de rede sem contacto de segurança também é possível, pois trata-se de uma construção da classe de protecção II.

Sob influência de extremas influências electromagnéticas, podem em certos casos ocorrer temporárias oscilações de número de rotação.

## MANUTENÇÃO

Através dos rasgos de ventilação podem soprar-se com ar comprimido os depósitos de poeira no motor.

Utilizar unicamente acessórios e peças sobresselentes da Milwaukee. Sempre que a substituição de um componente não tenha sido descrita nas instruções, será de toda a conveniência mandar executar esse trabalho a um Serviço de Assistência Milwaukee (veja o folheto Garantia/Endereços de Serviços de Assistência).

A pedido e mediante indicação da referência de dez números que consta da chapa de características da máquina, pode requerer-se um desenho explosivo da ferramenta eléctrica a: Milwaukee Electric Tool, Max-Eyth-Straße 10, D-71364 Winnenden, Germany.

## SYMBOLS



Leia atentamente o manual de instruções antes de colocar a máquina em funcionamento.



Antes de efectuar qualquer intervenção na máquina, tirar a ficha da tomada.



Acessório - Não incluído no equipamento normal, disponível como acessório.



Não deite ferramentas eléctricas no lixo doméstico! De acordo com a directiva europeia 2002/96/CE sobre ferramentas eléctricas e electrónicas usadas e a transposição para as leis nacionais, as ferramentas eléctricas usadas devem ser recolhidas em separado e encaminhadas a uma instalação de reciclagem dos materiais ecológica.



Classe de protecção II, ferramenta eléctrica, na qual a protecção contra choque eléctrico não só depende de um isolamento básico, mas na qual medidas de segurança suplementares, como isolamento duplo ou isolamento reforçado, são aplicadas.

## TECHNISCHE GEGEVENS

|  |                            |
|--|----------------------------|
| Nominaal afgegeven vermogen.....               | 710 W                      |
| Afgegeven vermogen.....                        | 390 W                      |
| Onbelast toerental.....                        | 500-2800 min <sup>-1</sup> |
| Slaglengte.....                                | 26 mm                      |
| Verstekzagen tot.....                          | 45°                        |
| Max. schroefdiepte in:                         |                            |
| Hout.....                                      | 120 mm                     |
| Staal.....                                     | 10 mm                      |
| Aluminium.....                                 | 30 mm                      |
| Gewicht volgens de EPTA-procedure 01/2003..... | 2,3 kg                     |

### Geluids-/trillingsinformatie

Meetwaarden vastgesteld volgens EN 60 745.

Het kenmerkende A-gewogen geluidsniveau van de machine bedraagt:

|   |           |
|---|-----------|
| Geluidsdruk niveau (K = 3 dB(A)).....     | 87 dB (A) |
| Geluidsvermogen niveau (K = 3 dB(A))..... | 98 dB (A) |

### Draag oorbeschermers!

Totale trillingswaarden (vectorsom van drie richtingen) bepaald volgens EN 60745.

|  |                       |
|--|-----------------------|
| Zagen van hout                             |                       |
| Trillingsemisiewaarde a <sub>h</sub> ..... | 10,5 m/s <sup>2</sup> |
| Onzekerheid K=.....                        | 1,5 m/s <sup>2</sup>  |
| Zagen van metaalplaat                      |                       |
| Trillingsemisiewaarde a <sub>h</sub> ..... | 10 m/s <sup>2</sup>   |
| Onzekerheid K=.....                        | 1,5 m/s <sup>2</sup>  |

## WAARSCHUWING

De in deze aanwijzingen vermelde trillingsdruk is gemeten volgens een in EN 60745 genormeerde meetmethode en kan worden gebruikt voor de onderlinge vergelijking van apparaten. Hij is ook geschikt voor een voorlopige inschatting van de trillingsbelasting.

De aangegeven trillingsdruk geldt voor de meest gebruikelijke toepassingen van het elektrische apparaat. Wanneer het elektrische gereedschap echter voor andere doeleinden, met andere dan de voorgeschreven hulpstukken gebruikt of niet naar behoren onderhouden wordt, kan de trillingsdruk afwijken. Dit kan de waarde van de trillingsdruk over de hele werkperiode aanzienlijk verhogen.

Voor een nauwkeurige inschatting van de trillingsdruk moeten ook de tijden in aanmerking worden genomen dat het apparaat uitgeschakeld is of weliswaar loopt, maar niet werkelijk in gebruik is. Dit kan de waarde van de trillingsdruk over de hele werkperiode aanzienlijk verminderen.

Bepaal extra veiligheidsmaatregelen ter bescherming van de bediener tegen de inwerking van trillingen, bijvoorbeeld: onderhoud van elektrische gereedschappen en apparaten, warmhouden van de handen, organisatie van de werkprocessen.

**⚠ WAARSCHUWING! Lees alle veiligheidsinstructies en aanwijzingen door - ook die in de bijgeleverde brochure.** Als de waarschuwingen en voorschriften niet worden opgevolgd, kan dit een elektrische schok, brand of ernstig letsel tot gevolg hebben.  
**Bewaar alle waarschuwingen en voorschriften voor toekomstig gebruik.**

## VEILIGHEIDSADVIEZEN

**Draag oorbeschermers.** Blootstelling aan geluid kan het gehoor beschadigen.

**Houd het apparaat alléén aan de geïsoleerde grijpvlakken vast, wanneer u werkzaamheden uitvoert waarbij het snijgereedschap verborgen stroomleidingen of de eigen apparaatkabel zou kunnen raken.** Het contact van het snijgereedschap met een spanningvoerende leiding kan de metalen apparaatdelen onder spanning zetten en zo tot een elektrische schok leiden.

Verplaatsbaar gereedschap moet bij het gebruik buiten aan een aardlekschakelaar aangesloten worden.

Bij het werken met de machine altijd een veiligheidsbril dragen. Werkhandschoenen en stofkapje voor de mond worden aanbevolen.

Spanen of splinters mogen bij draaiende machine niet worden verwijderd.

Voor alle werkzaamheden aan de machine de stekker uit de kontaktdoos trekken.

Machine alleen uitgeschakeld aan het net aansluiten.

Snoer altijd buiten werkbereik van de machine houden.

Bescherming van de machine beslist gebruiken.

Gescheurde zaagbladen of welke van vorm veranderd zijn, mogen niet gebruikt worden.

Insteekzagen is alleen in zachte materialen (hout, lichte bouwstoffen voor wanden) mogelijk. Bij hardere materialen (metalen) moet een boring overeenkomstig de grootte van het zaagblad aangebracht worden.

Het gedurende het werken vrijkomende stof is doorgaans schadelijk voor de gezondheid en mag niet met het lichaam in aanraking komen. Draag derhalve een geschikt stofbeschermingsmasker.

## VOORGESCHREVEN GEBRUIK VAN HET SYSTEEM

De decoupeerzaag zaagt hout, kunststof en metaal. Men kan ermee rechtzagen, verstekzagen, bochten zagen en insteekzagen.

Dit apparaat uitsluitend gebruiken voor normaal gebruik, zoals aangegeven.

## EC - VERKLARING VAN OVEREENSTEMMING

Wij verklaren dat dit product voldoet aan de volgende normen of normatieve documenten:  
EN 60745-1:2009 + A11:2010  
EN 60745-2-11:2010  
EN 55014-1:2006 + A1:2009 + A2:2011  
EN 55014-2:1997 + A1:2001 + A2:2008  
EN 61000-3-2:2006 + A1:2009 + A2:2009  
EN 61000-3-3:2008  
overeenkomstig de bepalingen van de richtlijnen 2011/65/EU (RoHS)  
2006/42/EG  
2004/108/EG



Winnenden, 2012-09-07

Rainer Kumpf  
Director Product Development

Gemachtigd voor samenstelling van de technische documenten

## NETAANSLUITING

Uitsluitend op éénfase-wisselstroom en uitsluitend op de op het typeplaatje aangegeven netspanning aansluiten. Aansluiting is ook mogelijk op een stekerdoos zonder aardcontact mogelijk, omdat het is ontworpen volgens veiligheidsklasse II.

Bij inwerking van elektromagnetische storingen van buitenaf kunnen in enkele gevallen voorbijgaande toerentalschommelingen optreden.

## ONDERHOUD

Altijd de luchtspleten van de machine schoonhouden.

Alleen Milwaukee toebehoren en onderdelen gebruiken. Onderdelen welke niet vermeld worden, kunnen het beste door de Milwaukee servicedienst verwisseld worden (zie Serviceadressen).

Onder vermelding van het tiencijferige nummer op het machineplaatje is desgewenst een doorsnedetekening van de machine verkrijgbaar bij: Milwaukee Electric Tool, Max-Eyth-Straße 10, D-71364 Winnenden, Germany.

## SYMBOLEN



Graag instructies zorgvuldig doorlezen vóórdat u de machine in gebruik neemt.



Voor alle werkzaamheden aan de machine de stekker uit de kontaktdoos trekken.



Toebehoren - Wordt niet meegeleverd. Is apart leverbaar. Zie hiervoor het toebehorenprogramma.



Geef elektrisch gereedschap niet met het huisvuil mee! Volgens de Europese richtlijn 2002/96/EG inzake oude elektrische en elektronische apparaten en de toepassing daarvan binnen de nationale wetgeving, dient gebruikt elektrisch gereedschap gescheiden te worden ingezameld en te worden afgevoerd naar een recycle bedrijf dat voldoet aan de geldende milieu-eisen.



Beschermingsklasse II, elektrisch gereedschap waarbij de bescherming tegen elektrische schokken niet afhankelijk is van de basisisolatie, maar waarin extra veiligheidsmaatregelen worden toegepast zoals dubbele of versterkte isolatie.

## TEKNISKE DATA

|   |                            |
|---|----------------------------|
| Nominel optagen effekt.....                 | 710 W                      |
| Afgiven effekt.....                         | 390 W                      |
| Slagantal, ubelastet.....                   | 500-2800 min <sup>-1</sup> |
| Løftehøjde.....                             | 26 mm                      |
| Skråsnit indtil.....                        | 45°                        |
| Skæredybde max. i:                          |                            |
| Træ.....                                    | 120 mm                     |
| Stål.....                                   | 10 mm                      |
| Aluminium.....                              | 30 mm                      |
| Vægt svarer til EPTA-procedure 01/2003..... | 2,3 kg                     |

## Støj/Vibrationsinformation

Måleværdier beregnes iht. EN 60 745.

Værktøjets A-vurderede støjniveau er typisk:

|                                   |           |
|-----------------------------------|-----------|
| Lydtrykniveau (K=3 dB(A)).....    | 87 dB (A) |
| Lydeffekt niveau (K=3 dB(A))..... | 98 dB (A) |

## Brug høreværn!

Samlede vibrationsværdier (værdisum for tre retninger) beregnet iht. EN 60745.

Savning af træ

|  |                       |
|--|-----------------------|
| Vibrationseksponering a <sub>v</sub> ..... | 10,5 m/s <sup>2</sup> |
| Usikkerhed K=.....                         | 1,5 m/s <sup>2</sup>  |

Savning af metalblik

|  |                      |
|--|----------------------|
| Vibrationseksponering a <sub>v</sub> ..... | 10 m/s <sup>2</sup>  |
| Usikkerhed K=.....                         | 1,5 m/s <sup>2</sup> |

## ADVARSEL

Svingningsniveauet, som er angivet i disse anvisninger, er målt i henhold til standardiseret måleprocedure ifølge EN 60745 og kan anvendes til indbyrdes sammenligning mellem el-værktøjer. Svingningsniveauet er ligeledes egnet som foreløbigt skøn over svingningsbelastningen.

Det angivne svingningsniveau er baseret på el-værktøjets primære anvendelsesformål. Hvis el-værktøjet benyttes

til andre formål, med andet indsatsværktøj eller ikke vedligeholdes tilstrækkeligt, kan svingningsniveauet afvige. Dette kan øge svingningsbelastningen over den samlede arbejdsperiode betydeligt.

For en nøjagtig vurdering af svingningsbelastningen skal der også tages højde for de tidsperioder, hvor apparatet er slukket, eller hvor apparatet kører, men uden at være i anvendelse. Dette kan reducere svingningsbelastningen over den samlede arbejdsperiode betydeligt.

Supplerende sikkerhedsforanstaltninger til beskyttelse af brugeren mod påvirkninger fra svingninger skal iværksættes, f.eks.: Vedligeholdelse af el-værktøj og indsatsværktøj, varmholdelse af hænder, organisering af arbejdsprocesser.

**⚠ ADVARSEL! Læs alle sikkerhedsanvisninger og øvrige vejledninger, også i den vedlagte brochure. I tilfælde af manglende overholdelse af advarselshenvisningerne og instrukserne er der risiko for elektrisk stød, brand og/eller alvorlige kvæstelser. Opbevar alle advarselshenvisninger og instrukser til senere brug.**

## SIKKERHEDSHENVISNINGER

**Bær høreværn.** Støjpåvirkning kan bevirke tab af hørelse.

**Hold maskinen fast i de isolerede grebflader, når du udfører arbejde, hvor der er risiko for, at skæreværktøjet kan ramme skjulte strømledninger eller værktøjets egen ledning.** Ved kontakt med en strømførende ledning står metaldele på maskinen også under spænding og giver et elektrisk stød.

Stikdåser udendørs skal være forsynet med fejlstrømsikrin gskontakter. Det forlanger installationsforskriften for Deres elektroanlæg. Overhold dette, når De bruger vores maskiner.

Når der arbejdes med maskinen, skal man have beskyttelsesbriller på. Beskyttelseshandsker, skridsikre sko, høreværn og forklæde anbefales.

Spåner eller splinter må ikke fjernes, medens maskinen kører.

Før ethvert arbejde ved maskinen skal stikket tages ud af stikdåsen.

Maskinen sluttes kun udkoblet til stikdåsen.

## GE-KONFORMITETSERKLÆRING

Vi erklærer under almindeligt ansvar, at dette produkt er i overensstemmelse med følgende normer eller norma-tive dokumenter.

EN 60745-1:2009 + A11:2010

EN 60745-2-11:2010

EN 55014-1:2006 + A1:2009 + A2:2011

EN 55014-2:1997 + A1:2001 + A2:2008

EN 61000-3-2:2006 + A1:2009 + A2:2009

EN 61000-3-3:2008

i henhold til bestemmelserne i direktiverne

2011/65/EU (RoHS)

2006/42/EF

2004/108/EF



Winnenden, 2012-09-07

Rainer Kumpf

Director Product Development

Autoriseret til at udarbejde de tekniske dokumenter.

## NETTILSLUTNING

Tilslutning må kun foretages til enfaset vekselstrøm og kun til en netspænding, som er i overensstemmelse med angivelsen på mærkepladen. Tilslutning kan også ske til stikdåser uden beskyttelseskontakt, da kapslingsklasse II foreligger.

Under påvirkning af ekstreme elektromagnetiske fejl udefra kan der i enkelte tilfælde optræde forbigående omdrejningst alsvingninger.

## VEDLIGEHOLDELSE

Hold altid maskinens ventilationsåbninger rene.

Brug kun Milwaukee tilbehør og reservedele. Lad de komponenter, hvis udskiftning ikke er blevet beskrevet, udskifte hos Milwaukee service (brochure garanti/bemærk kundeserviceadresser).

Ved opgivelse af type nr. der er angivet på maskinens effektskilt, kan De rekvirere en reservedelstegning, ved henvendelse til: Milwaukee Electric Tool, Max-Eyth-Straße 10, D-71364 Winnenden, Germany.

## SYMBOLER



Læs brugsanvisningen nøje før ibrugtagning.



Før ethvert arbejde ved maskinen skal stikket tages ud af stikdåsen.



Tilbehør - Ikke inkluderet i leveringsomfanget, køb købes som tilbehør.



Elværktøj må ikke bortskaffes som almindeligt affald! I henhold til det europæiske direktiv 2002/96/EF om bortskaffelse af elektriske og elektroniske produkter og gældende national lovgivning skal brugt lvrktøj indsamles separat og bortskaffes på en måde, der skåner miljøet mest muligt.



Kapslingsklasse II, el-værktøj, hvor beskyttelsen mod elektrisk stød ikke kun afhænger af basisisoleringen, men hvor beskyttelsesforanstaltninger, såsom dobbelt isolering eller forstærket isolering, tillige finder anvendelse.

## TEKNISKE DATA

|  |                            |
|--|----------------------------|
| Nominell inngangseffekt .....                    | 710 W                      |
| Avgitt effekt .....                              | 390 W                      |
| Tomgangsslagtall .....                           | 500-2800 min <sup>-1</sup> |
| Slaghøyde .....                                  | 26 mm                      |
| Skråsnitt inntil .....                           | 45°                        |
| Kuttedybde maks. in:                             |                            |
| Treverk .....                                    | 120 mm                     |
| Stål .....                                       | 10 mm                      |
| Aluminium .....                                  | 30 mm                      |
| Vekt i henhold til EPTA-Proseduren 01/2003 ..... | 2,3 kg                     |

## Støy/Vibrasjonsinformasjon

Måleverdier fastslått i samsvar med EN 60 745.

Det typiske A-bedømte støynivået for maskinen er:

|                                   |           |
|-----------------------------------|-----------|
| Lydtryknivå (K = 3 dB(A)) .....   | 87 dB (A) |
| Lydeffektnivå (K = 3 dB(A)) ..... | 98 dB (A) |

## Bruk hørselsvern!

Totale svingningsverdier (vektorsum fra tre retninger) beregnet jf. EN 60745.

|                                     |                       |
|-------------------------------------|-----------------------|
| Saging av tre                       |                       |
| Svingningsemisjonsverdi $a_h$ ..... | 10,5 m/s <sup>2</sup> |
| Usikkerhet K= .....                 | 1,5 m/s <sup>2</sup>  |

|                                     |                      |
|-------------------------------------|----------------------|
| Saging av metallplater              |                      |
| Svingningsemisjonsverdi $a_h$ ..... | 10 m/s <sup>2</sup>  |
| Usikkerhet K= .....                 | 1,5 m/s <sup>2</sup> |

## ADVARSEL

Svingningsnivået som er angitt i denne instruksjonen er målt i overensstemmelse med målemetoden normert i direktiv EN 60745 og kan brukes til å sammenligne elektromaskiner med hverandre. Den egner seg også for en foreløpig vurdering av svingningsbelastningen.

Det angitte svingningsnivået representerer de hovedsaklige bruk av elektroverktøyet. Men anvendes elektroverktøyet for andre bruk med avvikende utskiftbare verktøy eller vedlikeholdet er utilstrekkelig, kan svingningsnivået være avvikende.

Dette kan forhøye svingningsbelastning betydelig over hele arbeidsperioden. For en nøyaktig vurdering av svingningsbelastningen må også det tas hensyn til tiden apparatet er avslått eller står på, men ikke er i bruk. Dette kan redusere svingningsbelastningen betydelig over hele arbeidsperioden.

Innfør også ekstra sikkerhetstiltak for å beskytte bruker mot utvirkingen av svingningene. Disse kan f.eks. være: vedlikehold av elektroverktøyet og det utskiftbare verktøyet, holde hendene varme, organisasjon av arbeidsforløpet.

**⚠ ADVARSEL! Les alle sikkerhetsinstruksjoner og bruksanvisninger, også de i den vedlagte brosjyren.** Feil ved overholdelsen av advarslene og nedenstående anvisninger kan medføre elektriske støt, brann og/eller alvorlige skader.  
**Ta godt vare på alle advarslene og informasjonene.**

## SPESIELLE SIKKERHETSHENVISNINGER

**Bruk hørselsvern.** Støy kan føre til tap av hørselen

**Hold apparatet i de isolerte holdeflatene, når det arbeides på steder hvor elektroverktøyet kan treffe skjulte strømledninger eller verktøyets egen kabel.** Kontakt med en spenningsførende ledning setter også maskinens metalldele under spenning og fører til elektriske støt.

Stikkontakter utendørs må være utstyrt med feilstrøm-sikkerhetsbryter. Dette forlanges av installasjonsforskriften for elektroanlegg. Vennligst følg dette når du bruker vårt apparat.

Bruk alltid vernebrille når du arbeider med maskinen. Det anbefales å bruke arbeidshansker, faste og sklisikre sko og forkle.

Spon eller fliser må ikke fjernes mens maskinen er i gang.

Trekk støpslet ut av stikkkontakten før du begynner arbeider på maskinen.

Maskinen må være slått av når den koples til stikkkontakten.

Hold ledningen alltid vekk fra maskinens virkeområde. Før ledningen alltid bakover fra maskinen.

Bruk alltid maskinens beskyttelsesinnretninger.

Sagblad som har sprekker eller som har endret form må ikke brukes!

Dykksaging er kun mulig i bløtere materialer (treverk, lettere byggematerialer for vegger), for hardere materialer (metaller) må det brukes et sagblad med tilsvarende stor boring.

Støvet som oppstår ved arbeidet er ofte helsefarlig og skal ikke komme i kontakt med kroppen. Bruk derfor vernemaske som er egnet for støv.

## FORMÅLSMESSIG BRUK

Stikksgagen sager treverk, plast og metall. Den skjærer rett, gjæringer, kurver og innvendige utsnitt.

Dette apparatet må kun brukes til de oppgitte formål.

## CE-SAMSVARERKLÆRING

Vi erklærer på eget ansvar at dette produktet stemmer overens med de følgende normer eller normative dokumenter.

EN 60745-1:2009 + A11:2010

EN 60745-2-11:2010

EN 55014-1:2006 + A1:2009 + A2:2011

EN 55014-2:1997 + A1:2001 + A2:2008

EN 61000-3-2:2006 + A1:2009 + A2:2009

EN 61000-3-3:2008

i henhold til bestemmelsene i direktivene

2011/65/EU (RoHS)

2006/42/EF

2004/108/EF



Winnenden, 2012-09-07

Rainer Kumpf  
Director Product Development

Autorisert til å utarbeide den tekniske dokumentasjonen

## NETTILKOPLING

Skal bare tilsluttes enfasevekselstrøm og bare til den på skiltet angitte nettspenning. Tilslutning til stikkontakter uten jordet kontakt er mulig fordi beskyttelse beskyttelsesklasse II er forhanden.

Under innvirkning av ekstreme elektromagnetiske forstyrrelser utenfra, kan det i enkelte tilfeller oppstå forbigående turtallendringer.

## VEDLIKEHOLD

Hold alltid luftenåpningene på maskinen rene.

Bruk kun Milwaukee tilbehør og reservedeler. Komponenter der utskiftning ikke er beskrevet skal skiftes ut hos Milwaukee kundeservice (se brosjyre garanti/kundeserviceadresser).

Ved behov kan du be om en eksplosjonstegning av apparatet hos din kundeservice eller direkte hos Milwaukee Electric Tool, Max-Eyth-Straße 10, D-71364 Winnenden, Germany. Oppgi maskintype og det tilsifrete nummeret på typeskiltet.

## SYMBOLER



Les nøye gjennom bruksanvisningen før maskinen tas i bruk.



Trekk støpslet ut av stikkkontakten før du begynner arbeider på maskinen.



Tilbehør - inngår ikke i leveransen, anbefalt komplettering fra tilbehørsprogrammet.



Kast aldri elektroverktøy i husholdningsavfallet! I henhold til EU-direktiv 2002/96/EF om kasserte elektriske og elektroniske produkter og direktivets iverksetting i nasjonal rett, må elektroverktøy som ikke lenger skal brukes, samles separat og returneres til et miljøvennlig gjenvinningsanlegg.



Verneklasse II, elektroverktøy, vern mot elektriske slag beror ikke bare på basisisoleringen, men også på at i tillegg vernetiltak som dobbelte isolering eller forsterket isolering anvendes.

## TEKNISKA DATA

|                                |                            |
|--------------------------------|----------------------------|
| Nominell upptagen effekt.....  | 710 W                      |
| Uteffekt .....                 | 390 W                      |
| Tongångsslagtal.....           | 500-2800 min <sup>-1</sup> |
| Slaglängd.....                 | 26 mm                      |
| Vinkelinställning max. ....    | 45°                        |
| Sågdjup max i:                 |                            |
| Trä .....                      | 120 mm                     |
| Stål .....                     | 10 mm                      |
| Aluminium.....                 | 30 mm                      |
| Vikt enligt EPTA 01/2003 ..... | 2,3 kg                     |

### Buller-/vibrationsinformation

Mätvärdena har tagits fram baserade på EN 60 745.

A-värdet av maskinens ljudnivå utgår:

|                                  |           |
|----------------------------------|-----------|
| Ljudtrycksnivå (K=3 dB(A)).....  | 87 dB (A) |
| Ljudeffektsnivå (K=3 dB(A))..... | 98 dB (A) |

### Använd hörselskydd!

Totala vibrationsvärden (vektorsumma ur tre riktningar) framtaget enligt EN 60745.

|   |                       |
|---|-----------------------|
| Sågning i trä                                 |                       |
| Vibrationsemissionsvärde a <sub>n</sub> ..... | 10,5 m/s <sup>2</sup> |
| Onoggrannhet K= .....                         | 1,5 m/s <sup>2</sup>  |
| Sågning i metallplåt                          |                       |
| Vibrationsemissionsvärde a <sub>n</sub> ..... | 10 m/s <sup>2</sup>   |
| Onoggrannhet K= .....                         | 1,5 m/s <sup>2</sup>  |

## VARNING

Den i de här anvisningarna angivna vibrationsnivån har uppmätts enligt ett i EN 60745 normerat mätförfarande och kan användas vid jämförelse mellan olika elverktyg. Nivån är även lämplig att använda vid en preliminär bedömning av vibrationsbelastningen.

Den angivna vibrationsnivån representerar den huvudsakliga användningen av det aktuella elverktyget. Men om elverktyget ska användas i andra användningsområden, tillsammans med avvikande insatsverktyg eller efter otillräckligt underhåll, kan vibrationsnivån skilja sig. Det kan öka vibrationsbelastningen betydligt under hela arbetstiden.

För att få en exaktare bedömning av vibrationsbelastningen ska även den tid beaktas, under vilken elverktyget är avstängt eller är påslaget, utan att det verkligen används. Det kan reducera vibrationsbelastningen betydligt under hela arbetstiden.

Lägg som skydd för användaren fast extra säkerhetsåtgärder mot vibrationernas verkan, som till exempel: underhåll av elverktyg och insatsverktyg, varmhållning av händer och organisering av arbetsförlopp.

**⚠️ VARNING! Läs alla säkerhetsanvisningar och andra tillhörande anvisningar, även de i den medföljande broschyren.** Fel som uppstår till följd av att anvisningarna nedan inte följts kan orsaka elstöt, brand och/eller allvarliga kroppsskador.  
**Förvara alla varningar och anvisningar för framtida bruk.**

## SÄKERHETSUTRUSTNING

**Bär hörselskydd.** Bullerbelastning kan orsaka hörselskador.

**Håll fast apparaten med hjälp av de isolerade greppytorna när du utför arbeten där arbetsverktyget skulle kunna träffa på dolda elledningar eller kablar.** Om sågen kommer i kontakt med en spänningsförande ledning säfts sågens metalldelar under spänning som sedan kan leda till elektriskt slag.

Anslut alltid verktyget till jordat eluttag vid användning utomhus.

Använd alltid skyddsglasögon, skyddshandskar och hörselskydd.

Avlägsna aldrig spån eller flisor när maskinen är igång.

Drag alltid ur kontakten när du utför arbeten på maskinen.

Maskinen skall vara fränkopplad innan den anslutes till väggurtag.

Nätkabeln skall alltid hållas ifrån arbetsområdet. Lägg kabeln bakåt i förhållande till arbetsriktningen.

Använd alltid maskinens skyddsanordningar.

Spruckna sågklingor eller sådana som förändrat form får ej användas!

Är endast möjlig i mjuka material (trä m.m.) vid hårdare material (metall) rekommenderas förborring.

Det damm som bildas under arbetets gång är ofta hälsofarligt och det ska inte komma in i kroppen. Bär därför lämplig skyddsmask.

## ANVÄND MASKINEN ENLIGT ANVISNINGARNA

Sticksågen sågar i trä, plast och metall. Den skär rakt, gering- och figursågar.

Maskinen får endast användas för angiven tillämpning.

## CE-FÖRSÄKRAN

Vi intygar och ansvarar för, att denna produkt överensstämmer med följande norm och dokument  
EN 60745-1:2009 + A11:2010  
EN 60745-2-11:2010  
EN 55014-1:2006 + A1:2009 + A2:2011  
EN 55014-2:1997 + A1:2001 + A2:2008  
EN 61000-3-2:2006 + A1:2009 + A2:2009  
EN 61000-3-3:2008  
enl. bestämmelser och riktlinjerna  
2011/65/EU (RoHS)  
2006/42/EG  
2004/108/EG



Winnenden, 2012-09-07

Rainer Kumpf  
Director Product Development

Befullmäktigad att sammanställa teknisk dokumentation.

## NÄTANSLUTNING

Får endast anslutas till 1-fas växelström och till den spänning som anges på dataskylten. Anslutning kan även ske till eluttag utan skyddskontakt, eftersom konstruktionen motsvarar skyddsklass II.

Under inverkan av elektromagnetiska störningar utifrån, kan enstaka fall av varvtals-sänkning uppträda.

## SKÖTSEL

Se till att motorhøjets luftslitsar är rena.

Använd endast Milwaukee tillbehör och reservdelar.

Byggsdelar vars utbyte ej beskrivs utväxlas bäst av Milwaukee auktoriserad serviceverkstad. (beakta broschyrer Garanti/Kundtjänstadresser).

Vid behov av sprängskiss, kan en sådan, genom att uppge maskinens art. nr. (som finns på typskylten) erhållas från: Milwaukee Electric Tool, Max-Eyth-Straße 10, D-71364 Winnenden, Germany.

## SYMBOLER



Läs instruktionen noga innan du startar maskinen.



Drag alltid ur kontakten när du utför arbeten på maskinen.



Tillbehör - Ingår ej i leveransomfånget, erhålles som tillbehör.



Elektriska verktyg får inte kastas i hushållssoporna! Enligt direktivet 2002/96/EG som avser äldre elektrisk och elektronisk utrustning och dess tillämpning enligt nationell lagstiftning ska uttjänta elektriska verktyg sorteras separat och lämnas till miljövänlig återvinning.



Skyddsklass II, elverktyg där skyddet mot elektriska stötar inte bara hänför sig till en basisolering, utan som också har extra skyddsanordningar, som t.ex. en dubbel isolering eller en förstärkt isolering.

## TEKNISET ARVOT

|  |                            |
|--|----------------------------|
| Nimellinen teho.....                     | 710 W                      |
| Antoteho .....                           | 390 W                      |
| Kuormittamaton iskuluku .....            | 500-2800 min <sup>-1</sup> |
| Iskun pituus .....                       | 26 mm                      |
| Vinoleikkaukset asti .....               | 45°                        |
| Leikkaussyvytydet:                       |                            |
| Puuhun .....                             | 120 mm                     |
| Teräkseen .....                          | 10 mm                      |
| Alumiini .....                           | 30 mm                      |
| Paino EPTA-menetelyn 01/2003 mukaan..... | 2,3 kg                     |

## Melunpäästö-/tärinä tiedot

Mitta-arvot määritetty EN 60 745 mukaan.

Koneen tyypillinen A-luokitettu melutaso:

|                                    |           |
|------------------------------------|-----------|
| Melutaso (K = 3 dB(A)).....        | 87 dB (A) |
| Äänenvoimakkuus (K = 3 dB(A))..... | 98 dB (A) |

## Käytä kuulosuojaimia!

Värähtelyn yhteisarvot (kolmen suunnan vektorisumma) mitattuna EN 60745 mukaan.

|   |                       |
|---|-----------------------|
| Puun sahaaminen                           |                       |
| Värähtelyemissioarvo a <sub>h</sub> ..... | 10,5 m/s <sup>2</sup> |
| Epävarmuus K= .....                       | 1,5 m/s <sup>2</sup>  |
| Metallipellin sahaaminen                  |                       |
| Värähtelyemissioarvo a <sub>h</sub> ..... | 10 m/s <sup>2</sup>   |
| Epävarmuus K= .....                       | 1,5 m/s <sup>2</sup>  |

## VAROITUS

Näissä ohjeissa mainittu värähtelytaso on mitattu EN 60745 -standardin mukaisella mittausmenetelmällä ja sitä voidaan käyttää sähkötyökalujen vertaamiseen. Sitä voidaan käyttää myös värähtelyrasituksen väliaikaiseen arviointiin.

Mainittu värähtelytaso edustaa sähkötyökalun pääasiallista käyttöä. Jos sähkötyökalua kuitenkin käytetään muihin tehtäviin, poikkeavin työkaluin tai riittämättömästi huoltaen, värähtelytaso voi olla erilainen. Se voi korottaa värähtelyrasitusta koko työajan osalta.

Tarkan värähtelyrasituksen toteamiseen tulee ottaa huomioon aika, jona laite on kytketty pois tai on kylläkin päällä, mutta ei käytössä. Se voi pienentää värähtelyrasitusta koko työajan osalta.

Määrittele lisäturvatoimenpiteitä käyttäjän suojaamiseksi värinöiden vaikutukselta, kuten esimerkiksi: sähkötyökalujen ja käyttötyökalujen huolto, käsien lämpiminä pitäminen, työvaiheiden organisaatio.

**⚠ VAROITUS! Lue kaikki, myös oheistetussa esitteessä annetut turvallisuusmääräykset ja käyttöohjeet.** Turvallisuusohjeiden noudattamisen laiminlyönti saattaa johtaa sähköiskuun, tulipaloon ja/tai vakavaan loukkaantumiseen.  
**Säilytä kaikki turvallisuus- ja muut ohjeet tulevaisuutta varten.**

## TURVALLISUUSOHJEET

**Käytä korvasuojia.** Altistuminen melulle voi vahingoittaa kuuloa.

**Pitele laitetta vain eristetyistä tarttumapinnoista, kun suoritat sellaisia töitä, joissa leikkaustyökalu saattaa osua piilossa oleviin sähköjohtoihin tai omaan liitäntäjohtoon.** Kosketus jännitteeseen johtoon saattaa myös koneen metalliosat jännitteiseksi ja johtaa sähköiskuun.

Ulkokäytössä olevat pistorasiat on varustettava vikavirtasuojakytkimillä sähkölaitteistosi asennusmääräyksen mukaisesti. Muista tarkistaa, että laite liitetään ulkokäytössä ulkopistorasiaan ja neuvottele asiasta sähköasentajasi kanssa.

Käytä laitteella työskennellessäsi aina suojalaseja. Suojakäsineiden, turvallisten ja tukevapohjaisten kenkien, kuulosuojainten ja suojaesiliinan käyttöä suositellaan.

Lastuja tai puruja ei saa poistaa koneen käydessä.

Irrota aina pistotulppa seinäkoskettimesta ennen koneeseen tehtäviä toimenpiteitä.

Varmista, että kone on sammutettu ennen kytkemistä sähköverkkoon.

Pidä sähköjohto poissa koneen käyttöalueelta. Siirrä se aina taaksesi.

Laitteen suojarusteita on ehdottomasti käytettävä.

Rikkinäisiä sahanteriä tai sellaisia, jotka ovat muuttaneet muotoaan ei saa käyttää!

Uputussahaus on mahdollista vain pehmeämpiin materiaaleihin (puu, kevytrakenteiset seinät), koviin materiaaleihin (metallit) on ensin tehtävä sahanterän suuruinen porausaukko.

Koneen käytöstä aiheutuva pöly ja jäte voi olla haitallista terveydelle eikä sen vuoksi tulisi päästä kosketukseen ihon kanssa. Koneella työskennellessä on käytettävä sopivia suojausta.

## TARKOITUKSEN MUKAINEN KÄYTTÖ

Pistosaha pystyy puuhun, muoviin ja metalliin. Sillä voidaan sahata suorita, viistoja ja käyriä leikkauksia sekä reikiä.

Älä käytä tuotetta ohjeiden vastaisesti.

## TODISTUS CE-STANDARDIN MUKAISUUDESTA

Todistamme täten ja vastaamme yksin siitä, että tämä tuote on allalueteltujen standardien ja standardoimisasiakirjojen vaatimusten mukainen.

EN 60745-1:2009 + A11:2010  
EN 60745-2-11:2010

EN 55014-1:2006 + A1:2009 + A2:2011

EN 55014-2:1997 + A1:2001 + A2:2008

EN 61000-3-2:2006 + A1:2009 + A2:2009

EN 61000-3-3:2008

seuraavien sääntöjen mukaisesti

2011/65/EU (RoHS)

2006/42/EY

2004/108/EY



Winnenden, 2012-09-07

Rainer Kumpf  
Director Product Development

Valtuutettu kokoamaan tekniset dokumentit.

## VERKKOLIITÄNTÄ

Yhdistä ainoastaan tasavirtalähteeseen, jonka volttimäärä on sama kuin levyssä ilmoitettu. Myös liittäminen maadoittamattomiin pistokkeisiin on mahdollista, sillä muotoilu on yhdenmukainen turvallisuusluokan II kanssa.

Ulkopuoliset, erittäin voimakkaat sähkömagneettiset häiriöt saattavat poikkeustapa-uksissa aiheuttaa tilapäisiä muutoksia pyörimisnopeudessa.

## HUOLTO

Pidä moottorin ilmanottoaukot puhtaina.

Käytä vain Milwaukee: n lisälaitteita ja varaosia. Käytä ammattitaitoisten Milwaukee-huoltosopimusliikkeiden palveluja muiden kuin käyttöohjeessa kuvattujen osien vaihdossa. (esite takuu/huoltoliikeluettelo).

Tarpeen vaatiessa voit pyytää lähettämään laitteen kokoonpanopiirustuksen ilmoittamalla arvokilven kymmennumeroinen numeron seuraavasta osoitteesta: Milwaukee Electric Tool, Max-Eyth-Straße 10, D-71364 Winnenden, Germany.

## SYMBOLIT



Lue käyttöohjeet huolellisesti, ennen koneen käynnistämistä.



Irrota aina pistotulppa seinäkoskettimesta ennen koneeseen tehtäviä toimenpiteitä.



Lisälaite - Ei sisälly vakiovarustukseen, saatavana lisäturvikeena.



Älä hävitä sähkötyökalua tavallisen kotitalousjätteen mukana! Vanhoja sähkö- ja elektroniikkalaitteita koskevan EU-direktiivin 2002/96/ETY ja sen maakohtaisten sovellusten mukaisesti käytetyt sähkötyökalut on toimitettava ongelmajätteen keräyspisteeseen ja ohjattava ympäristöystävälliseen kierrätykseen.



II luokan sähkötyökalu, jonka sähköiskusuojaus ei ole riippuvainen vain peruseristyksestä, vaan lisäturvatoimenpiteistä, kuten käsinkertaisesta eristyksestä tai vahvistetusta eristyksestä.

## ΤΕΧΝΙΚΑ ΣΤΟΙΧΕΙΑ

|   |                            |
|---|----------------------------|
| Ονομαστική Ισχύς                            | 710 W                      |
| Αποδιδόμενη Ισχύς                           | 390 W                      |
| Αριθμός παλινδρομήσεων χωρίς φορτίο         | 500-2800 min <sup>-1</sup> |
| Ύψος διαδρομής                              | 26 mm                      |
| Λοξά κοψίματα μέχρι                         | 45°                        |
| Μέγιστο βάθος κοπής σε:                     |                            |
| Ξύλο  | 120 mm                     |
| Χάλυβας                                     | 10 mm                      |
| Αλουμίνιο                                   | 30 mm                      |
| Βάρος σύμφωνα με τη διαδικασία EPTA 01/2003 | 2,3 kg                     |

### Πληροφορίες θορύβου/δονήσεων

Τιμές μέτρησης εξακριβωμένες κατά EN 60 745.

Η σύφωνα με την καμπύλη A εκτιμηθείσα στάθμη θορύβου

του μηχανήματος αναφέρεται σε:

Στάθμη ηχητικής πίεσης (K = 3 dB(A)) ..... 87 dB (A)

Στάθμη ηχητικής ισχύος (K = 3 dB(A)) ..... 98 dB (A)

### Φοράτε προστασία ακοής (ωτασπίδες)!

Υλικές τιμές κραδασμών (άθροισμα διανυσμάτων τριών διευθύνσεων) εξακριβώθηκαν σύμφωνα με τα πρότυπα EN 60745.

Πριόνισμα ξύλων

Τιμή εκπομπής δονήσεων a<sub>h</sub> ..... 10,5 m/s<sup>2</sup>

Ανασφάλεια K= ..... 1,5 m/s<sup>2</sup>

Πριόνισμα μεταλλικών ελασμάτων

Τιμή εκπομπής δονήσεων a<sub>h</sub> ..... 10 m/s<sup>2</sup>

Ανασφάλεια K= ..... 1,5 m/s<sup>2</sup>

## ΠΡΟΕΙΔΟΠΟΙΗΣΗ

Το αναφερόμενο σ' αυτές τις οδηγίες επίπεδο δονήσεων έχει μετρηθεί με μια τυποποιημένη σύμφωνα με το EN 60745 μέθοδο μέτρησης και μπορεί να χρησιμοποιηθεί για τη σύγκριση των ηλεκτρικών εργαλείων μεταξύ τους. Αυτό είναι επίσης κατάλληλο για μια προσωρινή εκτίμηση της επιβάρυνση των δονήσεων.

Το αναφερόμενο επίπεδο δονήσεων αντιπροσωπεύει τις κύριες χρήσεις του ηλεκτρικού εργαλείου. Εάν όμως το ηλεκτρικό χρησιμοποιείται σε άλλες χρήσεις, με διαφορετικά εργαλεία εφαρμογής ή ανεπαρκή συντήρηση, μπορεί να υπάρξει απόκλιση του επιπέδου δονήσεων. Αυτό μπορεί να αυξήσει σημαντικά την επιβάρυνση των δονήσεων για τη συνολική διάρκεια της εργασίας.

Για μια ακριβή εκτίμηση της επιβάρυνσης των δονήσεων οφείλουν επίσης να λαμβάνονται υπόψη οι χρόνοι, στους οποίους η συσκευή είναι απενεργοποιημένη ή είναι μεν ενεργοποιημένη αλλά δεν χρησιμοποιείται πραγματικά. Αυτό μπορεί να μειώσει σημαντικά την επιβάρυνση των δονήσεων για τη συνολική διάρκεια της εργασίας.

Καθορίζετε πρόσθετα μέτρα ασφαλείας για την προστασία του χειριστή από την επίδραση των δονήσεων όπως για παράδειγμα: Συντήρηση του ηλεκτρικού εργαλείου και των εργαλείων εφαρμογής, διατηρείτε ζεστά τα χέρια, οργάνωση των διαδικασιών εργασίας.

### ⚠ ΠΡΟΕΙΔΟΠΟΙΗΣΗ! Διαβάστε όλες τις Υποδείξεις ασφαλείας και τις Οδηγίες, και αυτές στο επισυναπτόμενο φυλλάδιο.

Αμέλειες κατά την τήρηση των προειδοποιητικών υποδείξεων μπορεί να προκαλέσουν ηλεκτροπληξία, κίνδυνο πυρκαγιάς ή/και σοβαρούς τραυματισμούς.

**Φυλάξτε όλες τις προειδοποιητικές υποδείξεις και οδηγίες για κάθε μελλοντική χρήση.**

## ΕΙΔΙΚΕΣ ΥΠΟΔΕΙΞΕΙΣ ΑΣΦΑΛΕΙΑΣ

**Φοράτε ωτασπίδες.** Η επίδραση θορύβου μπορεί να προκαλέσει απώλεια ακοής.

**Να πιάνετε τη συσκευή στις μονωμένες χειρολαβές όταν εκτελείτε εργασίες κατά τις οποίες τα κοπτικά εργαλεία θα μπορούσαν να πέσουν επάνω σε κρυμμένα καλώδια ρεύματος ή στο δικό της καλώδιο.** Η επαφή του πριονόδισκου με μια υπό τάση ευρισκόμενη ηλεκτρική γραμμή θέτει επίσης και τα μεταλλικά τμήματα του μηχανήματος υπό τάση κι έτσι μπορεί να οδηγήσει σε ηλεκτροπληξία.

Οι πρίζες στους εξωτερικούς χώρους πρέπει να είναι εξοπλισμένες με μικροαυτόματους διακόπτες προστασίας. Αυτό απαιτεί ο σχετικός κανονισμός από την ηλεκτρική σας εγκατάσταση. Προσέξτε παρακαλώ αυτό το σημείο κατά τη χρήση της συσκευής μας.

Στις εργασίες με τη μηχανή φοράτε πάντοτε προστατευτικά γυαλιά. Συνιστάνται τα προστατευτικά γάντια, τα σταθερά και αντιολισθητικά παπούτσια και η ποδιά.

Τα γρτζια ή τα σκλήθρες δεν επιτρέπεται να απομακρύνονται με κινούμενη τη μηχανή.

## ΔΗΛΩΣΗ ΠΙΣΤΟΤΗΤΑΣ ΕΚ

Δηλώνουμε με αποκλειστική μας ευθύνη, ότι αυτό το προϊόν ανταποκρίνεται στα ακόλουθα πρότυπα ή έγγραφα τυποποίησης:

EN 60745-1:2009 + A11:2010

EN 60745-2-11:2010

EN 55014-1:2006 + A1:2009 + A2:2011

EN 55014-2:1997 + A1:2001 + A2:2008

EN 61000-3-2:2006 + A1:2009 + A2:2009

EN 61000-3-3:2008

σύμφωνα με τις διατάξεις των οδηγιών

2011/65/EU (RoHS)

2006/42/EK

2004/108/EK



Winnenden, 2012-09-07

Rainer Kumpf  
Director Product Development

Εξουσιοδοτημένος να συντάξει τον τεχνικό φάκελο.

## ΣΥΝΔΕΣΗ ΣΤΟ ΗΛΕΚΤΡΙΚΟ ΔΙΚΤΥΟ

Συνδέστε μόνο σε μονοφασικό εναλλασσόμενο ρεύμα και μόνο σε τάση δικτύου όπως αναφέρεται στην πινακίδα τεχνικών χαρακτηριστικών. Η σύνδεση είναι επίσης εφικτή σε πρίζες χωρίς προστασία επαφής, διότι υπάρχει μια δομή της κατηγορίας προστασίας II.

Κάτω από την επίδραση υπερβολικών ηλεκτρομαγνητικών εξωτερικών διαταραχών, μπορεί σε μεμονωμένες περιπτώσεις να παρυσιαστούν προσωρινές διακυμάνσεις του αριθμού των στροφών.

## ΣΥΝΤΗΡΗΣΗ

Διατηρείτε πάντοτε τις σχισμές εξαερισμού στη μηχανή καθαρές.

Χρησιμοποιείτε μόνο εξαρτήματα και ανταλλακτικά της Milwaukee. Αναθέστε την αλλαγή των εξαρτημάτων, των οποίων η αντικατάσταση δεν έχει περιγραφεί, σ' ένα κέντρο σέρβις της Milwaukee (προσέξτε το εγχειρίδιο Εγγύηση/Διευθύνσεις εξυπηρέτησης πελατών).

Όταν χρειάζεται, μπορείτε να ζητήσετε ένα σχέδιο συναρμολόγησης της συσκευής, δίνοντας τον τύπο της μηχανής και το δεκαψήφιο αριθμό στην πινακίδα ισχύος, από το κέντρο σέρβις ή απευθείας από τη φίρμα Milwaukee Electric Tool, Max-Eyth-Straße 10, D-71364 Winnenden, Germany.

## ΣΥΜΒΟΛΑ



Παρακαλώ διαβάστε σχολαστικά τις οδηγίες χρήσης πριν από την έναρξη λειτουργίας.



Πριν από κάθε εργασία στη μηχανή τραβάτε το φως από την πρίζα.



Εξαρτήματα - Δεν περιλαμβάνονται στα υλικά παράδοσης, συνιστούμενη προσθήκη από το πρόγραμμα εξαρτημάτων.



Μην πετάτε τα ηλεκτρικά εργαλεία στον κάδο οικιακών απορριμμάτων! Σύμφωνα με την ευρωπαϊκή οδηγία 2002/96/EK περί ηλεκτρικών και ηλεκτρονικών συσκευών και την ενσωμάτωσή της στο εθνικό δίκαιο, τα ηλεκτρικά εργαλεία πρέπει να συλλέγονται ξεχωριστά και να πιστοποιούνται για ανακύκλωση με τρόπο φιλικό προς το περιβάλλον.



Κατηγορία προστασίας II, ηλεκτρικό εργαλείο, στο οποίο η προστασία έναντι ηλεκτροπληξίας δεν εξαρτάται μόνο από τη βασική μόνωση, αλλά από την εφαρμογή πρόσθετων προστατευτικών μέτρων όπως διπλή μόνωση ή ενισχυμένη μόνωση.

## TEKNİK VERİLER

|  |                            |
|--|----------------------------|
| Giriş gücü .....                               | 710 W                      |
| Çıkış gücü .....                               | 390 W                      |
| Boşta ki strok sayısı .....                    | 500-2800 min <sup>-1</sup> |
| Strok yüksekliği .....                         | 26 mm                      |
| Maksimum eğik kesim .....                      | 45°                        |
| Maksimum kesme derinliği:                      |                            |
| Tahta .....                                    | 120 mm                     |
| Çelikte .....                                  | 10 mm                      |
| Alüminyum .....                                | 30 mm                      |
| Ağırlığı ise EPTA-üretici 01/2003'e göre ..... | 2,3 kg                     |

### Gürültü/Vibrasyon bilgileri

Ölçüm değerleri EN 60 745 e göre belirlenmektedir.

Aletin, frekansa bağımlı uluslararası ses basıncı seviyesi değerlendirme eğrisi A'ya göre tipik gürültü seviyesi:

|   |           |
|---|-----------|
| Ses basıncı seviyesi (K= 3dB(A)) .....      | 87 dB (A) |
| Akustik kapasite seviyesi (K= 3dB(A)) ..... | 98 dB (A) |

### Koruyucu kulaklık kullanın!

Toplam titreşim değeri (üç yönün vektör toplamı) EN 60745'e göre belirlenmektedir:

|  |                       |
|--|-----------------------|
| Ağaç yontma                                  |                       |
| titreşim emisyon değeri a <sub>h</sub> ..... | 10,5 m/s <sup>2</sup> |
| Tolerans K= .....                            | 1,5 m/s <sup>2</sup>  |
| Metal saç yontma                             |                       |
| titreşim emisyon değeri a <sub>h</sub> ..... | 10 m/s <sup>2</sup>   |
| Tolerans K= .....                            | 1,5 m/s <sup>2</sup>  |

## UYARI

Bu talimatlarda belirtilen titreşim seviyesi, EN 60745 standardına uygun bir ölçme metodu ile ölçülmüştür ve elektrikli el aletleri birbirleriyle karşılaştırmak için kullanılabilir. Ölçüm sonuçları ayrıca titreşim yükünün geçici değerlendirmesi için de uygundur.

Belirtilen titreşim seviyesi, elektrikli el aletinin genel uygulamaları için geçerlidir. Ancak elektrikli el aleti başka uygulamaları için, farklı eklenti parçalarıyla ya da yetersiz bakım koşullarında kullanılırsa, titreşim seviyesi farklılık gösterebilir. Bu durumda, titreşim yükü toplam çalışma zaman aralığı içerisinde belirgin ölçüde yükselebilir.

Titreşim yükünün tam bir değerlendirmesi için ayrıca cihazın kapalı olduğu süreler ve cihazın çalışır durumda olduğu, ancak gerçek kullanımda bulunmadığı süreler de dikkate alınmalıdır. Böylelikle, toplam çalışma zamanı aralığı boyunca meydana gelen titreşim yükü belirgin ölçüde azaltılabilir.

Kullanıcıyı titreşimlerin etkisinden korumak üzere, örneğin elektrikli el aletlerinin ve eklenti parçalarının bakımı, ellerin sıcak tutulması ve iş akışlarının organizasyonu gibi ek güvenlik tedbirleri belirleyiniz.

**⚠ UYARI! Güvenlikle ilgili bütün açıklamaları, talimatları ve ilişikteki broşürde yazılı bulunan hususları okuyunuz.** Açıklanan uyarılara ve talimat hükümlerine uyulmadığı takdirde elektrik çarpmalarına, yangınlara ve/veya ağır yaralanmalara neden olunabilir.  
**Bütün uyarıları ve talimat hükümlerini ileride kullanmak üzere saklayın.**

## GÜVENLİĞİNİZ İÇİN TALİMATLAR

**Koruyucu kulaklık kullanın.** Çalışırken çıkan gürültü işitme kayıplarına neden olabilir.

**Kesme aletinin eğrilmiş elektrik kabloları veya kendi kablosuna isabet eden çalışmalar yapılırken cihazı izole edilmiş kollarından tutun.** Elektrik akımı ileten kablolarla temas edilecek olursa metal alet elemanlarına da gerilim geçer ve bu da elektrik çarpmalarına neden olabilir.

Açık havadaki prizler hatalı akım koruma şalteri ile donatılmış olmalıdır. Bu, elektrik tesisatınızdaki bir zorunluluktur. Lütfen aletimizi kullanırken bu hususa dikkat edin.

Aletle çalışırken daima koruyucu gözlük kullanın. Koruyucu iş eldivenleri, sağlam ve kaymaz ayakkabılar ve iş önlüğü kullanmanızı tavsiye ederiz.

Alet çalışır durumda iken talaş ve kırpıntıları temizlemeye çalışmayın.

Aletin kendinde bir çalışma yapmadan önce fişi prizden çekin.

Aleti sadece kapalı iken prize takın.

Bağlantı kablosunu aletten uzak tutun. Kablo daima aletin arkasında olmalıdır ve toplanmamalıdır.

Aletin koruyucu donanımını mutlaka kullanın.

Çatlama ve deforme olmuş testere bıçaklarını kullanmayın!

Malzeme içine dalarak kesme sadece yumuşak malzemelerde (tahta, duvarlarda kullanılan hafif yapı malzemeleri gibi) mümkündür. Sert malzemelerde ise testere bıçağı boyutuna uygun bir ön kılavuz delik açılmalıdır.

Çalışma sırasında ortaya çıkan toz genellikle sağlığa zararlıdır ve bedeninize temas etmemelidir. Uygun bir koruyucu toz maskesi kullanın

## KULLANIM

Bu dekupaj testeresi tahta, plastik ve metali keser; düz, gönyeli, kavisli ve içten kesme işlerini yapar.

Bu alet sadece belirttiği gibi ve usulüne uygun olarak kullanılabilir.

## GE UYGUNLUK BEYANI

Tek sorumlu olarak bu ürünün aşağıdaki normlara ve norm dokümanlarına uygunluğunu beyan ederiz:

EN 60745-1:2009 + A11:2010  
EN 60745-2-11:2010  
EN 55014-1:2006 + A1:2009 + A2:2011  
EN 55014-2:1997 + A1:2001 + A2:2008  
EN 61000-3-2:2006 + A1:2009 + A2:2009  
EN 61000-3-3:2008  
yönetmelik hükümleri  
2011/65/EU (RoHs)  
2006/42/EC  
2004/108/EC



Winnenden, 2012-09-07

Rainer Kumpf  
Director Product Development

Teknik evrakları hazırlamakla görevlendirilmiştir.

## ŞEBEKE BAĞLANTISI

Aleti sadece tek fazlı alternatif akıma ve tip etiketi üzerinde belirtilen şebeke gerilimine bağlayın, yapısı Koruma sınıfı II'ye girdiğinden alet koruyucu kontaklız prize de bağlanabilir.

Dışarıdan gelen aşırı elektromanyetik etkiler sonucu, devir sayısında geçici dalgalanmalar olabilir.

## BAKIM

Aletin havalandırma aralıklarını daima temiz tutun.

Sadece Milwaukee aksesuarını ve yedek parçalarını kullanın. Değiştirilmesi açıklanmamış olan parçaları bir Milwaukee müşteri servisinde değiştirin (Garanti broşürüne ve müşteri servisi adreslerine dikkat edin).

Gerektiği takdirde aletin dağınık görünüş şeması, alet tipinin ve tip etiketi üzerindeki on hanelik sayının bildirilmesi koşuluyla müşteri servisinden veya doğrudan Milwaukee Electric Tool, Max-Eyth-Straße 10, D-71364 Winnenden, Germany adresinden istenebilir.

## SEMBOLLER



Lütfen aleti çalıştırmadan önce kullanma kılavuzunu dikkatli biçimde okuyun.



Aletin kendinde bir çalışma yapmadan önce fişi prizden çekin.



Aksesuar - Teslimat kapsamında değildir, önerilen tamamlamalar aksesuar programında.



Elektrikli el aletlerini evdeki çöp kutusuna atmayın! Kullanılmıys elektrikli aletleri, elektrik ve elektrikli eski cihazlar hakkındaki 2002/96/EC Avrupa yönergelerine göre ve bu yönergeler ulusal hukuk kurallarına göre uyarlanarak, ayrı olarak toplanmalı ve çevre şartlarına uygun bir şekilde tekrar değerlendirilmeye gönderilmelidir.



Koruma sınıfı II, elektrik tepkisine karşı korumanın sadece baz izolasyonuna bağlı olmayan elektro alet, bilakis çift izolasyon veya takviye edilen izolasyon gini ek koruyucu tedbirler uygulanır.



## TECHNICKÁ DATA

|  |                            |
|--|----------------------------|
| Jmenovitý příkon .....                                 | 710 W                      |
| Odběr .....  | 390 W                      |
| Počet zdvihů při b. napr .....                         | 500-2800 min <sup>-1</sup> |
| Výška zdvihu .....                                     | 26 mm                      |
| šikmé řezy do .....                                    | 45°                        |
| Rezná hloubka max. v:                                  |                            |
| Dřevo .....  | 120 mm                     |
| Ocel .....   | 10 mm                      |
| Hliník .....   | 30 mm                      |
| Hmotnost podle prováděcího předpisu EPTA 01/2003 ..... | 2,3 kg                     |

## Informace o hluku / vibracích

Naměřené hodnoty odpovídají EN 60 745.

V třídě A posuzovaná hladina hluku přístroje činí typicky:

|   |           |
|---|-----------|
| Hladina akustického tlaku (K=3dB(A)) .....  | 87 dB (A) |
| Hladina akustického výkonu (K=3dB(A)) ..... | 98 dB (A) |

## Použijte chrániče sluchu !

Celkové hodnoty vibrací (vektorový součet tří směrů) zjištěné ve smyslu EN 60745.

|   |                       |
|---|-----------------------|
| Rezáni dřeva                                  |                       |
| Hodnota vibračních emisí a <sub>h</sub> ..... | 10,5 m/s <sup>2</sup> |
| Kolisavost K= .....                           | 1,5 m/s <sup>2</sup>  |

Rezáni kovových plechů

|   |                      |
|---|----------------------|
| Hodnota vibračních emisí a <sub>h</sub> ..... | 10 m/s <sup>2</sup>  |
| Kolisavost K= .....                           | 1,5 m/s <sup>2</sup> |

## VAROVÁN

Úroveň chvění uvedená v tomto návodu byla naměřena podle metody měření stanovené normou EN 60745 a může být použita pro porovnání elektrického nářadí. Hodí se také pro průběžný odhad zatížení chvěním.

Uvedená úroveň chvění představuje hlavní účely použití elektrického nářadí. Jestliže se ale elektrické nářadí používá pro jiné účely, s odlišnými nástroji nebo s nedostatečnou údržbou, může se úroveň chvění odlišovat. To může značně zvýšit zatížení chvěním během celé pracovní doby.

Pro přesný odhad zatížení chvěním se musí také zohlednit časy, během kterých je přístroj vypnutý nebo kdy je sice v chodu, ale skutečně se s ním nepracuje. To může zatížení chvěním během celé pracovní doby značně snížit.

Stanovte doplňková bezpečnostní opatření pro ochranu obsluhy před účinky chvění jako například: technická údržba elektrického nářadí a nástrojů, udržování teploty rukou, organizace pracovních procesů.

**⚠ VAROVÁNÍ! Seznamte se se všemi bezpečnostními pokyny a sice i s pokyny v přiložené brožurce.** Zanedbání při dodržování varovných upozornění a pokynů mohou mít za následek úder elektrickým proudem, požár a/nebo těžká poranění.

**Všechna varovná upozornění a pokyny do budoucna uschovejte.**

## SPECIÁLNÍ BEZPEČNOSTNÍ UPOZORNĚNÍ

**Použijte chrániče sluchu.** Působením hluku může dojít k poškození sluchu.

**Při provádění prací, při kterých nástroj může narazit na skryta elektrická vedení nebo na vlastní kabel, držte přístroj za izolované přídržovací plošky.** Kontakt s vedením pod napětím přivádí napětí i na kovové díly stroje a vede k elektrickému úderu.

Ve venkovním prostředí musí být zásuvky vybaveny proudovým chráničem. Je to vyžadováno instalačním předpisem pro toto el.zařízení. Dodržujte ho při používání tohoto nářadí, prosím.

Při práci se strojem neustále nosit ochranné brýle. Doporučuje se používat ochranné rukavice, pevnou protiskluzovou obuv a zástěru.

Pokud stroj běží, nesmí být odstraňovány třísky nebo odštěpky.

Před zahájením veškerých prací na stroji vytáhnout síťovou zástrčku ze zásuvky.

Stroj zapínat do zásuvky pouze když je vypnutý.

Neustále dbát na to, aby byl kabel pro připojení k elektrické síti mimo dosah stroje. Kabel vést vždy směrem dozadu od stroje.

Bezpodmínečně používat ochranná zařízení přímočaré pily. Popraskané nebo zdeformované pilové listy nesmí být používány!

Takzvané ponorné řezy jsou možné jen u měkkých materiálů. Zapneme nástroj a nasadíme ho na vodící trmen, jednou rukou dobře přidržujeme kryt a druhou rukou zatlačíme ovladač nahoru a zanoříme pilový list.

Prach vznikající při práci s tímto nářadím může být zdraví škodlivý. Proto by neměl přijít do styku s tělem. Používejte při práci vhodnou ochranou masku.

## OBLAST VYUŽITÍ

Přímočará pila řeže dřevo, plast a kov. Je s ní možné provádět rovné řezy, řezy pod úhlem, křivky a vnitřní vyřezy.

Toto zařízení lze používat jen pro uvedený účel.

## CE-PROHLÁŠENÍ O SHODĚ

Se vši zodpovědností prohlašujeme, že tento výrobek odpovídá následujícím normám a normativním dokumentům:  
EN 60745-1:2009 + A11:2010  
EN 60745-2-11:2010  
EN 55014-1:2006 + A1:2009 + A2:2011  
EN 55014-2:1997 + A1:2001 + A2:2008  
EN 61000-3-2:2006 + A1:2009 + A2:2009  
EN 61000-3-3:2008  
v souladu se směrnicemi EHS č.  
2011/65/EU (RoHs)  
2006/42/ES  
2004/108/ES



Winnenden, 2012-09-07

Rainer Kumpf  
Director Product Development

Zplnomocněn k sestavování technických podkladů.

## PŘIPOJENÍ NA SÍŤ

Připojit pouze do jednofázové střídavé sítě o napětí uvedeném na štítku. Lze připojit i do zásuvky bez ochranného kontaktu nebo spotřebič je třídy II.

Působením vnějšího extrémě silného magnetického rušení může v jednotlivých případech docházet ke kolísání otáček.

## ÚDRŽBA

Větrací šterbiny nářadí udržujeme stále čisté.

Použijte výhradně příslušenství a náhr.díly Milwaukee. Díly jejichž výměna nebyla popsána nechte vyměnit v autorizovaném servisu Milwaukee ( Dbejte pokynů uvedených v záručním listě.)

Při potřebě podrobného rozkresu konstrukce, oslovte informaci o typu a desetimístném objednacím čísle přímo servis a nebo výrobce, Milwaukee Electric Tool, Max-Eyth-Straße 10, D-71364 Winnenden, Germany.

## SYMBOLY



Před spuštěním stroje si pečlivě přečtěte návod k používání.



Před zahájením veškerých prací na vrtacím kladivu vytáhnout síťovou zástrčku ze zásuvky.



Příslušenství není součástí dodávky, viz program příslušenství.



Elektrické nářadí nevyhazujte do komunálního odpadu! Podle evropské směrnice 2002/96/EG o nakládání s použitými elektrickými a elektronickými zařízeními a odpovídajících ustanovení právních předpisů jednotlivých zemí se použité elektrické nářadí musí sbírat odděleně od ostatního odpadu a podrobit ekologicky šetrnému recyklování.



Třída ochrany II, elektrické nářadí, u kterého ochrana proti úrazu elektrickým proudem nezávisí pouze na základní izolaci, nýbrž i na přijetí dalších ochranných opatření, jako provedení s dvojitou nebo zesílenou izolací.

## TECHNICKÉ ÚDAJE

|  |                            |
|--|----------------------------|
| Menovitý príkon .....                                    | 710 W                      |
| Výkon .....  | 390 W                      |
| Počet zdvihov naprázdno .....                            | 500-2800 min <sup>-1</sup> |
| Výška zdvihu .....                                       | 26 mm                      |
| Sikmé rezy až .....                                      | 45°                        |
| Max. hĺbka rezu v:                                       |                            |
| Drevo .....  | 120 mm                     |
| Oceľ .....   | 10 mm                      |
| hliník .....   | 30 mm                      |
| Hmotnosť podľa vykonávacieho predpisu EPTA 01/2003 ..... | 2,3 kg                     |

### Informácia o hluku / vibráciách

Namerané hodnoty určené v súlade s EN 60 745.

V triede A posudzovaná hladina hluku prístroja činí typicky:

|  |           |
|--|-----------|
| Hladina akustického tlaku (K = 3 dB(A)) .....  | 87 dB (A) |
| Hladina akustického výkonu (K = 3 dB(A)) ..... | 98 dB (A) |

### Používajte ochranu sluchu!

Celkové hodnoty vibrácií (vektorový súčet troch smerov) zistené v zmysle EN 60745.

Rezanie dreva

|  |                       |
|--|-----------------------|
| Hodnota vibračných emisií a <sub>h</sub> ..... | 10,5 m/s <sup>2</sup> |
| Kolisavosť K= .....                            | 1,5 m/s <sup>2</sup>  |

Rezanie kovových plechov

|  |                      |
|--|----------------------|
| Hodnota vibračných emisií a <sub>h</sub> ..... | 10 m/s <sup>2</sup>  |
| Kolisavosť K= .....                            | 1,5 m/s <sup>2</sup> |

## POZOR

Úroveň vibrácií uvedená v týchto pokynoch bola nameraná meracou metódou, ktorú stanovuje norma EN 60745 a je možné ju použiť na vzájomné porovnanie elektrického náradia. Hodí sa aj na predbežné posúdenie kmitavého namáhania.

Uvedená úroveň vibrácií reprezentuje hlavné aplikácie elektrického náradia. Ak sa však elektrické náradie používa pre iné aplikácie, s odlišnými vloženími nástrojmi alebo s nedostatočnou údržbou, môže sa úroveň vibrácií líšiť. Toto môže kmitavé namáhanie v priebehu celej pracovnej doby podstatne zvýšiť.

Pre presný odhad kmitavého namáhania by sa mali tiež zohľadniť doby, v ktorých je náradie vypnuté alebo je síce v chode, ale v skutočnosti sa nepoužíva. Toto môže kmitavé namáhanie v priebehu celej pracovnej doby zreteľne redukovať.

Stanovte dodatočné bezpečnostné opatrenia pre ochranu obsluhy pred účinkami vibrácií, ako napríklad: údržba elektrického náradia a vložných nástrojov, udržiavanie teploty rúk, organizácia pracovných postupov.

## ⚠ POZOR! Zoznámte sa so všetkými bezpečnostnými pokynmi a síce aj s pokynmi v priloženej brožúre.

Zanedbanie dodržiavania Výstražných upozornení a pokynov uvedených v nasledujúcom texte môže mať za následok zásah elektrickým prúdom, spôsobiť požiar a/alebo ťažké poranenie.

**Tieto výstražné upozornenia a bezpečnostné pokyny starostlivo uschovajte na budúce použitie.**

## ŠPECIÁLNE BEZPEČNOSTNÉ POKYNY

**Používajte ochranu sluchu.** Pôsobenie hluku môže spôsobiť stratu sluchu.

**Pri realizovaní prác, pri ktorých nástroj môže naraziť na skryté elektrické vedenia alebo na vlastný kábel, držte prístroj za izolované pridržovacie plošky.** Kontakt s vedením, ktoré je pod napätím, spôsobí, že aj kovové súčiastky náradia sa dostanú pod napätie, čo má za následok zásah elektrickým prúdom.

Zásuvky vo vonkajšom prostredí musia byť vybavené ochranným spínačom proti prudovému nárazom. Toto je inštalračný predpis na Vaše elektrické zariadenie. Venujte prosím tomuto pozornosť pri používaní nášho prístroja.

Pri práci so strojom vždy noste ochranné okuliare. Odporúčame ochranné rukavice, pevnú protišmykovú obuv a zásteru.

Triesky alebo úlomky sa nesmú odstraňovať za chodu stroja.

Pred každou prácou na stroji vytiahnite zástrčku zo zásuvky.

Len vypnutý stroj pripájajte do zásuvky.

## CE - VYHLÁSENIE KONFORMITY

Vyhlasujeme v našej výhradnej zodpovednosti, že tento produkt zodpovedá nasledovným normám alebo normatívnym dokumentom.

EN 60745-1:2009 + A11:2010  
EN 60745-2-11:2010  
EN 55014-1:2006 + A1:2009 + A2:2011  
EN 55014-2:1997 + A1:2001 + A2:2008  
EN 61000-3-2:2006 + A1:2009 + A2:2009  
EN 61000-3-3:2008  
podľa predpisov smernice  
2011/65/EU (RoHS)  
2006/42/EC  
2004/108/EC



Winnenden, 2012-09-07

Rainer Kumpf  
Director Product Development

Splnomocnený zostaviť technické podklady.

## SIEŤOVÁ PŘIPOJKA

Pripájať len na jednofázový striedavý prúd a na sieťové napätie uvedené na štítku. Pripojenie je možné aj do zásuviek bez ochranného kontaktu, pretože ide o konštrukciu ochrannej triedy II.

Pod vplyvom extrémnych elektromagnetických rušení z vonka sa môžu vyskytnúť v ojedinelých prípadoch dočasné výkyvy oŕačok.

## ÚDRZBA

Vetracie otvory udržiavať stale v čistote.

Používať len Milwaukee príslušenstvo a náhradné diely. Súčiastky bez návodu na výmenu treba dať vymeniť v jednom z Milwaukee zákazníckych centier (viď brožúru Záruka/Adresy zákazníckych centier).

Pri udaní typu stroja a desaťmiestneho čísla nachádzajúceho sa na štítku dá sa v prípade potreby vyžiadať explozívna schéma prístroja od Vášho zákazníckeho centra alebo priamo v Milwaukee Electric Tool, Max-Eyth-Straße 10, D-71364 Winnenden, Germany.

## SYMBOLY



Pred prvým použitím prístroja si pozorne prečítajte návod na obsluhu.



Pred každou prácou na stroji vytiahnuť zástrčku zo zásuvky.



Príslušenstvo - nie je súčasťou štandardnej výbavy, odporúčané doplnenie z programu príslušenstva.



Elektrické náradie nevyhadzujte do komunálneho odpadu! Podľa európskej smernice 2002/96/EG o nakladaní s použitými elektrickými a elektronickými zariadeniami a zodpovedajúcich ustanovení právnych predpisov jednotlivých krajín sa použité elektrické náradie musí zbierať oddelene od ostatného odpadu a podrobiť ekologicky šetrnej recyklácii.



Trieda ochrany II, elektrické náradie, u ktorého ochrana proti úrazu elektrickým prúdom nezávisí len na základnej izolácii, ale aj na prijatí ďalších ochranných opatrení, ako je vyhotovenie s dvojitou alebo zosilnenou izoláciou.

## DANETECHNICZNE

|  |                            |
|--|----------------------------|
| Znamionowa moc wyjściowa .....         | 710 W                      |
| Moc wyjściowa .....                    | 390 W                      |
| Skok bez obciążenia .....              | 500-2800 min <sup>-1</sup> |
| Długość skoku .....                    | 26 mm                      |
| Cięcie ukośne, do .....                | 45°                        |
| Maksymalna głębokość cięcia:           |                            |
| Drewno .....                           | 120 mm                     |
| Stal .....                             | 10 mm                      |
| Aluminium .....                        | 30 mm                      |
| Ciężar wg procedury EPTA 01/2003 ..... | 2,3 kg                     |

### Informacja dotycząca szumów/wibracji

Zmierzone wartości wyznaczone zgodnie z normą EN 60 745.

Poziom szumów urządzenia oszacowany jako A wynosi typowo:

|   |           |
|---|-----------|
| Poziom ciśnienia akustycznego (K=3 dB(A)) ..... | 87 dB (A) |
| Poziom mocy akustycznej (K=3 dB(A)) .....       | 98 dB (A) |

### Należy używać ochraniaczy uszu!

Wartości łączne drgań (suma wektorowa trzech kierunków) wyznaczone zgodnie z normą EN 60745

|                                  |                       |
|----------------------------------|-----------------------|
| Płowanie drewna                  |                       |
| Wartość emisji drgań $a_h$ ..... | 10,5 m/s <sup>2</sup> |
| Niepewność $K=$ .....            | 1,5 m/s <sup>2</sup>  |
| Cięcie blachy stalowej           |                       |
| Wartość emisji drgań $a_h$ ..... | 10 m/s <sup>2</sup>   |
| Niepewność $K=$ .....            | 1,5 m/s <sup>2</sup>  |

## OSTRZEŻENIE

Podany w niniejszych instrukcjach poziom drgań został zmierzony za pomocą metody pomiarowej zgodnej z normą EN 60745 i może być użyty do porównania ze sobą elektronarzędzi. Nadaje się on również do tymczasowej oceny obciążenia wibracyjnego.

Podany poziom drgań reprezentuje główne zastosowania elektronarzędzia. Jeśli jednakże elektronarzędzie użyte zostanie do innych celów z innymi narzędziami roboczymi lub nie jest dostatecznie konserwowane, wtedy poziom drgań może wykazywać odchylenia. Może to wyraźnie zwiększyć obciążenie wibracjami przez cały okres pracy.

Dla dokładnego określenia obciążenia wibracjami należy uwzględnić również czasy, w których urządzenie jest wyłączone względnie jest włączone, lecz w rzeczywistości nie pracuje. Może to spowodować wyraźną redukcję obciążenia wibracyjnego w całym okresie pracy.

Należy wprowadzić dodatkowe środki zapobiegawcze celem ochrony obsługującego przed oddziaływaniem drgań, jak na przykład: konserwacja narzędzi roboczych i elektronarzędzi, nagrzanie rąk, organizacja przebiegu pracy.

**⚠ OSTRZEŻENIE! Prosimy o przeczytanie wskazówek bezpieczeństwa i zaleceń, również tych, które zawarte są w załączonej broszurze.** Błędy w przestrzeganiu poniższych wskazówek mogą spowodować porażenie prądem, pożar i/lub ciężkie obrażenia ciała. **Należy starannie przechowywać wszystkie przepisy i wskazówki bezpieczeństwa dla dalszego zastosowania.**

## INSTRUKCJE DOTYCZĄCE BEZPIECZEŃSTWA

**Stosować środki ochrony słuchu!** Narażenie na hałas może spowodować utratę słuchu.

**Trzymaj urządzenie za izolowane powierzchnie chwytne gdy wykonujesz roboty, w trakcie których narzędzie skrawające może natrafić na ukryte przewody prądowe lub na własny kabel.** Kontakt z przewodami pod napięciem wprowadza również metalowe części urządzenia pod napięcie i prowadzi do porażenia prądem.

Urządzenia pracujące w wielu różnych miejscach, w tym poza pomieszczeniami zamkniętymi, należy podłączać poprzez ochronny wyłącznik udarowy.

Podczas pracy należy zawsze nosić okulary ochronne. Zalecane jest także noszenie rękawic, mocnego, nie ślizgającego się obuwia oraz ubrania roboczego.

Podczas pracy elektronarzędzia nie wolno usuwać trocin ani drzazg.

Przed przystąpieniem do jakichkolwiek prac związanych z elektronarzędziem należy wyjąć wtyczkę z gniazdka.

Elektronarzędzie można podłączać do gniazdka sieciowego tylko wtedy, kiedy jest wyłączone.

Kabel zasilający nie może znajdować się w obszarze roboczym elektronarzędzia. Powinien on się zawsze znajdować się za operatorem.

Zawsze stosować osłony ochronne na elektronarzędziu.

Nie używać pękniętych lub zniekształconych brzeszczotów!

Wykonywanie cięć wgłębnych bez uprzedniego nawiercenia otworu możliwe jest tylko w materiałach miękkich (drewno, lekkie materiały budowlane na ściany). W twardszych materiałach (metalach) należy najpierw wywiercić otwór odpowiadający rozmiarowi brzeszczotu.

Kurz powstający przy pracy z tym elektronarzędziem może być szkodliwy dla zdrowia, w związku z tym nie powinien dotrzeć do ciała. Nosić odpowiednią maskę przeciwpyłową.

## WARUNKI UŻYTKOWANIA

Piła wyrzynarka tnie drewno, tworzywa sztuczne oraz metal. Wycina linie proste, krzywe, otwory wewnętrzne oraz tnie skośnie.

Produkt można użytkować wyłącznie zgodnie z jego normalnym przeznaczeniem.

## ŚWIADECTWO ZGODNOŚCI CE

Oświadczamy z pełną odpowiedzialnością, że produkt ten odpowiada wymaganiom następujących norm i dokumentów normatywnych:  
EN 60745-1:2009 + A11:2010  
EN 60745-2-11:2010  
EN 55014-1:2006 + A1:2009 + A2:2011  
EN 55014-2:1997 + A1:2001 + A2:2008  
EN 61000-3-2:2006 + A1:2009 + A2:2009  
EN 61000-3-3:2008  
i jest zgodny z wymaganiami dyrektyw 2011/65/EU (RoHS)  
2006/42/WE  
2004/108/WE



Winnenden, 2012-09-07

Rainer Kumpf  
Director Product Development

Uppełnomocniony do zestawienia danych technicznych

## PODŁĄCZENIE DO SIECI

Podłączaj tylko do źródła zasilania prądem zmiennym jednofazowym i wyłączone do napięciu podanym na tabliczce znamionowej. Możliwe jest również podłączenie do gniazdka bez uziemienia, ponieważ konstrukcja odpowiada II klasie bezpieczeństwa.

Intensywne zewnętrzne zakłócenia elektromagnetyczne mogą powodować w określonych przypadkach chwilowe wahania w prędkości obrotowej.

## UTRZYMANIE I KONSERWACJA

Otwory wentylacyjne elektronarzędzia muszą być zawsze drożne.

Należy stosować wyłącznie wyposażenie dodatkowe i części zamienne Milwaukee. W przypadku konieczności wymiany części, dla których nie podano opisu, należy skontaktować się przedstawicielami serwisu Milwaukee (patrz lista punktów obsługi gwarancyjnej/serwisowej).

Na życzenie można otrzymać rysunek widoku zespołu rozebranego. Przy zamawianiu należy podać dziesięciocyfrowy numer oraz typ elektronarzędzia umieszczony na tabliczce znamionowej. Zamówienia można dokonać albo u lokalnych przedstawicieli serwisu, albo bezpośrednio w Milwaukee Electric Tool, Max-Eyth-Straße 10, D-71364 Winnenden, Germany.

## SYMBOLY



Przed uruchomieniem elektronarzędzia zapoznać się uważnie z treścią instrukcji.



Przed przystąpieniem do jakichkolwiek prac przy elektronarzędziu należy wyjąć wtyczkę z kontaktu.



Wyposażenie dodatkowe dostępne osobno.



Nie wyrzucaj elektronarzędzi wraz z odpadami z gospodarstwa domowego! Zgodnie z Europejską Dyrektywą 2002/96/WE w sprawie zużytego sprzętu elektrotechnicznego i elektronicznego oraz dostosowaniem jej do prawa krajowego, zużyte elektronarzędzia należy posegregować i zutylizować w sposób przyjazny dla środowiska.



Klasa ochrony II, elektronarzędzie, w którym ochrona przed porażeniem elektrycznym nie zależy tylko od izolacji podstawowej, lecz w którym zastosowane są dodatkowe środki ochrony, takie jak podwójna lub wzmocniona izolacja.

## MŰSZAKI ADATOK

|  |                            |
|--|----------------------------|
| Névleges teljesítményfelvétel.....       | 710 W                      |
| Leadott teljesítmény.....                | 390 W                      |
| Üresjáratú löketség.....                 | 500-2800 min <sup>-1</sup> |
| Lökethossz.....                          | 26 mm                      |
| Ferdevágás.....                          | 45°                        |
| Vágásmélység max.:                       |                            |
| Fa.....                                  | 120 mm                     |
| Acél.....                                | 10 mm                      |
| Alumínium.....                           | 30 mm                      |
| Súly a 01/2003 EPTA-eljárás szerint..... | 2,3 kg                     |

### Zaj-/Vibráció-információ

A közölt értékek megfelelnek az EN 60 745 szabványnak.

A készülék munkahelyi zajszintje tipikusan:

|   |           |
|---|-----------|
| Hangnyomás szint (K = 3 dB(A)).....       | 87 dB (A) |
| Hangteljesítmény szint (K = 3 dB(A))..... | 98 dB (A) |

### Hallásvédő eszköz használata ajánlott!

Összesített rezgésértékek (három irány vektoriális összege) az EN 60745-nek megfelelően meghatározva.

|  |                       |
|--|-----------------------|
| Fa fűrészelése                           |                       |
| a <sub>h</sub> rezgésemisszió érték..... | 10,5 m/s <sup>2</sup> |
| K bizonytalanság.....                    | 1,5 m/s <sup>2</sup>  |
| Fémlemez fűrészelése                     |                       |
| a <sub>h</sub> rezgésemisszió érték..... | 10 m/s <sup>2</sup>   |
| K bizonytalanság.....                    | 1,5 m/s <sup>2</sup>  |

## FIGYELMEZTETÉS

A jelen utasításokban megadott rezgésszint értéke az EN 60745-ben szabályozott mérési eljárásnak megfelelően került lemérésre, és használható elektromos szerszámokkal történő összehasonlításhoz. Az érték alkalmas a rezgésterhelés előzetes megbecslésére is.

A megadott rezgésszint-érték az elektromos szerszám legfőbb alkalmazásait reprezentálja. Ha az elektromos szerszámot azonban más alkalmazásokhoz, eltérő használt szerszámokkal vagy nem elegendő karbantartással használják, a rezgésszint értéke eltérő lehet. Ez jelentősen megnövelheti a rezgésterhelést a munkavégzés teljes időtartama alatt.

A rezgésterhelés pontos megbecsléséhez azokat az időket is figyelembe kell venni, melyekben a készülék lekapcsolódik, vagy ugyan működik, azonban ténylegesen nincs használatban. Ez jelentősen csökkentheti a rezgésterhelést a munkavégzés teljes időtartama alatt.

Határozzon meg további biztonsági intézkedéseket a kezelő védelmére a rezgések hatása ellen, például: az elektromos és a használt szerszámok karbantartásával, a kezek melegen tartásával, a munkafolyamatok megszervezésével.

**⚠ FIGYELMEZTETÉS! Olvasson el minden biztonsági útmutatót és utasítást, a mellékelt broszúrában találhatóakat is.** A következőkben leírt előírások betartásának elmulasztása áramütésekhez, tűzhöz és/vagy súlyos testi sérülésekhez vezethet.  
**Kérjük a későbbi használatra gondosan őrizze meg ezeket az előírásokat.**

## KÜLÖNLEGES BIZTONSÁGTUDNIVALÓK

**Viseljen hallásvédőt.** A zajhatás a hallás elvesztését eredményezheti.

**A készüléket a szigetelt markolatfelületeket fogva tartsa, ha olyan munkálatokat végez, melyeknél a vágószerszám rejtett elektromos vezetékbe vagy saját vezetékébe ütközhet.** Ha a berendezés egy feszültség alatt álló vezetékhez ér, a berendezés fémrészei szintén feszültség alá kerülhetnek és áramütéshez vezethetnek.

Szabadban a dugaljat hibaáram-védőkapcsolóval kell ellátni. Az elektromos készülékek üzembelhelyezési útmutatása ezt kötelezően előírja. Ügyeljen erre az elektromos kéziszerszámok használatakor is.

Munkavégzés közben ajánlatos védőszemüveget viselni. Védőkesztyű, zárt és csúszásmentes cipő, valamint védőkötény használata szintén javasolt.

A munka közben keletkezett forgácsokat, szilkánkokat, törmelékét, stb. csak a készülék teljes leállása után szabad a munkaterületről eltávolítani.

Bármilyen jellegű karbantartás vagy javítás előtt a készüléket áramtalanítani kell.

A készüléket csak kikapcsolt állapotban szabad ismét áram alá helyezni.

Munka közben a hálózati csatlakozókábelt a sérülés elkerülése érdekében a munkaterületől, illetve a készüléktől távol kell tartani.

A készülék biztonságtechnikai felszereléseit feltétlenül használni kell.

Tilos repedt vagy deformált fűrészlapot használni!

Ún. súllyesztő vágás készítése csak puha anyagba (pl. fa, könnyű falazóanyagok). Kemény anyagok esetében (fémek) egy, a fűrészlap méretének megfelelő furatot kell készíteni.

A munka során keletkező por gyakran egészségre káros, ezért ne kerüljön a szervezetbe  
Hordjon e célra alkalmas porvédőmaszkot.

## RENDELTESSZERŰ HASZNÁLAT

A szűrőfűrész fa, műanyag és fém megmunkálására alkalmas. A készülékkel egyenes, ferde, görbe és belső kivágások készíthetők.

A készüléket kizárólag az alábbiakban leírtaknak megfelelően szabad használni.

## GE-AZONOSSÁGI NYILATKOZAT

Teljes felelősségünk tudatában kijelentjük, hogy jelen termék megfelel a következő szabványoknak vagy szabványossági dokumentumoknak:  
EN 60745-1:2009 + A11:2010  
EN 60745-2-11:2010  
EN 55014-1:2006 + A1:2009 + A2:2011  
EN 55014-2:1997 + A1:2001 + A2:2008  
EN 61000-3-2:2006 + A1:2009 + A2:2009  
EN 61000-3-3:2008  
irányelvek határozataival egyetértésben  
2011/65/EU (RoHS)  
2006/42/EK  
2004/108/EK



Winnenden, 2012-09-07

Rainer Kumpf  
Director Product Development

Műszaki dokumentáció összeállításra felhatalmazva

## HÁLÓZATI CSATLAKOZTATÁS

A készüléket csak egyfázisú váltóáramra és a teljesítménytáblán megadott hálózati feszültségre csatlakoztassa. A csatlakoztatás védőérintkező nélküli dugaszolóaljzatokra is lehetséges, mivel a készülék felépítése II védettségű osztályú.

Különösen erős, külső elektromágneses hatás alatt a fordulatszám átmeneti ingadozása léphet fel.

## KARBANTARTÁS

A készülék szellőzőnyílásait mindig tisztán kell tartani.

Javításhoz, karbantartáshoz kizárólag Milwaukee alkatrészeket és tartozékokat szabad használni. A készülék azon részeinek cseréjét, amit a kezelési útmutató nem engedélyez, kizárólag a javításra feljogosított márkaszerviz végezheti. (Lásd a szervizlistát)

Szükség esetén a készülékek robbantott ábráját - a készülék típusa és tizjegyű azonosító száma alapján a területileg illetékes Milwaukee márkaszerviztől vagy közvetlenül a gyártótól (Milwaukee Electric Tool, Max-Eyth-Straße 10, D-71364 Winnenden, Germany) lehet kérni.

## SZIMBÓLUMOK



Kérjük alaposan olvassa el a tájékoztatót mielőtt a gépet használja.



Karbantartás, javítás, tisztítás, stb. előtt elõtt a készüléket áramtalanítani kell.



Azokat a tartozékokat, amelyek gyárilag nincsenek a készülékhez mellékelve, külön lehet megrendelni.



Az elektromos kéziszerszámokat ne dobja a háztartási szemétkébe! A használt villamos és elektronikai készülékekről szóló 2002/96/EK irányelv és annak a nemzeti jogba való átültetése szerint az elhasznált elektromos kéziszerszámokat külön kell gyűjteni, és környezetbarát módon újra kell hasznosítani.



II-es védelmi osztály, olyan elektromos szerszám, amelynél az elektromos áramütés elleni védelem nem csak az alapszigeteléstől függ, hanem amelyben kiegészítő védőintézkedéseket, mint pl. kettős szigetelés vagy megerősített szigetelés, alkalmaznak.

## TEHNIČNI PODATKI

|                                     |                            |
|-------------------------------------|----------------------------|
| Nazivna sprejemna moč.....          | 710 W                      |
| Oddajna zmogljivost.....            | 390 W                      |
| Število dvigov v prostem teku.....  | 500-2800 min <sup>-1</sup> |
| Višina dviga.....                   | 26 mm                      |
| Poševni rezi do.....                | 45°                        |
| Globina reza maks. v:               |                            |
| Les.....                            | 120 mm                     |
| Jeklo.....                          | 10 mm                      |
| Aluminij.....                       | 30 mm                      |
| Teža po EPTA-proceduri 01/2003..... | 2,3 kg                     |

## Informacije o hrupnosti/vibracijah

Vrednosti merjenja ugotovljene ustrezno z EN 60 745.

Raven hrupnosti naprave ovrednotena z A, znaša tipično:

|                                       |           |
|---------------------------------------|-----------|
| Nivo zvočnega tlaka (K=3dB(A)).....   | 87 dB (A) |
| Višina zvočnega tlaka (K=3dB(A))..... | 98 dB (A) |

## Nosite zaščito za sluh!

Skupna vibracijska vrednost (Vektorska vsota treh smeri) določena ustrezno EN 60745.

|  |                       |
|--|-----------------------|
| Žaganje lesa                                     |                       |
| Vibracijska vrednost emisij a <sub>h</sub> ..... | 10,5 m/s <sup>2</sup> |
| Nevarnost K=.....                                | 1,5 m/s <sup>2</sup>  |
| Žaganje pločevine iz kovin                       |                       |
| Vibracijska vrednost emisij a <sub>h</sub> ..... | 10 m/s <sup>2</sup>   |
| Nevarnost K=.....                                | 1,5 m/s <sup>2</sup>  |

## OPOZORILO

V teh navodilih navedena raven tresljajev je bila izmerjena po EN60745 normiranem merilnem postopku in lahko služi medsebojni primerjavi električnih orodij. Prav tako je primeren za predhodno oceno obremenitve s tresljaji.

Navedena raven tresljajev navaja najpomembnejše vrste rabe električnega orodja. Kadar se električno orodje uporablja za drugačne namene, z odstopajočimi orodji ali pa z nezadostnim vzdrževanjem, lahko raven tresljajev tudi odstopa. Le to lahko čez celoten delovni čas znatno zviša obremenitev s tresenjem.

Za natančno oceno obremenitve s tresljaji naj bi se upošteval tudi čas v katerem je naprava izklopljena ali sicer teče, vendar dejansko ni v rabi. Le to lahko obremenitev s tresljaji čez celoten delovni čas znatno zmanjša.

Za zaščito upravljalca pred učinkom tresljajev uvedite dodatne zaščitne ukrepe npr.: Vzdrževanje električnega orodja in orodja, delo s toplimi rokami, organizacija delovnih potekov.

**⚠ OPOZORILO! Preberite vsa varnostna opozorila in navodila, tudi tista v priloženi brošuri.** Napake zaradi neupoštevanja spodaj navedenih opozoril in napotil lahko povzročijo električni udar, požar in/ali težke telesne poškodbe.  
**Vsa opozorila in napotila shranite, ker jih boste v prihodnje še potrebovali.**

## SPECIALNI VARNOSTNI NAPOTKI

**Nosite zaščito za sluh.** Razvijanje hrupa lahko povzroči izgubo sluha.

**Kadar izvajate dela pri katerih lahko orodje zadane prikrito električno napeljavno ali lasten vodnik, je napravo potrebno držati za izolirane prijemalne površine.** Stik z električnim vodnikom, ki je pod napetostjo, povzroči napetost tudi v kovinskih delih naprave, kar ima za posledico električni udar.

Vtičnice v zunanem področju morajo biti opremljene z zaščitnimi stikali za okvarni tok. To zahteva instalacijski predpis za vašo električno napravo. Prosimo, da to pri uporabi naše naprave upoštevate.

Pri delu s strojem vedno nosite zaščitna očala. Priporočamo zaščitne rokavice, trdno obuvalo, varno proti drsenju ter predpasnik.

Trske ali iveri se pri tekočem stroju ne smejo odstranjevati.

Pred vsemi deli na stroju izvlecite vtičač iz vtičnice.

Stroj priključite na vtičnico samo v izklopljenem stanju.

Vedno pazite, da se priključni kabel ne približa področju delovanja stroja. Kabel vedno vodite za strojem.

Brezpogojno uporabljajte zaščitne priprave stroja.

Napokani listi žage in taki, ki so spremenili svojo obliko, se ne smejo uporabljati!

Potopno žaganje je možno samo v mehkih materialih (les, lahki gradbeni material za stene), pri trših materialih (kovine) se mora pripraviti vrtna, ki odgovarja listu žage.

Prah, ki nastaja pri delu, je pogosto zdravju škodljiv in naj ne zaide v telo. Nosite ustrezno masko proti prahu.

## UPORABA V SKLADU Z NAMEMBNOSTJO

Žaga luknjarica žaga les, umetno maso in kovino. Reže naravnost, zajere, zavoje in notranje izreze.

Ta naprava se sme uporabiti samo v skladu z namembnostjo uporabiti samo za navede namene.

## GE-IZJAVA O KONFORMNOSTI

Z lastno odgovornostjo izjavljamo, da je ta produkt skladen z naslednjimi normami ali normativnimi dokumenti.

EN 60745-1:2009 + A11:2010  
EN 60745-2-11:2010  
EN 55014-1:2006 + A1:2009 + A2:2011  
EN 55014-2:1997 + A1:2001 + A2:2008  
EN 61000-3-2:2006 + A1:2009 + A2:2009  
EN 61000-3-3:2008  
v skladu z določili smernic  
2011/65/EU (RoHS)  
2006/42/ES  
2004/108/ES



Winnenden, 2012-09-07

Rainer Kumpf  
Director Product Development

Pooblaščen za izdelavo spisov tehnične dokumentacije.

## OMREŽNI PRIKLJUČEK

Priključite samo na enofazni izmenični tok in samo na omrežno napetost, ki je označena na tipski ploščici. Priključitev je možna tudi na vtičnice brez zaščitnega kontakta, ker obstaja nadgradnja zaščitnega razreda.

Pod vplivom ekstremnih elektromagnetnih motenj od zunaj lahko v posameznem primeru pride do začasnih nihanj števila vrtljajev.

## VZDRŽEVANJE

Pazite na to, da so prezračevalne reže stroja vedno čiste.

Uporabljajte samo Milwaukee pribor in nadomestne dele. Poskrbite, da sestavne dele, katerih zamenjava ni opisana, zamenjajo v Milwaukee servisni službi (upoštevajte brošuro Garancija/Naslovi servisnih služb).

Po potrebi se lahko pri vaši servisni službi ali direktno pri Milwaukee Electric Tool naroči eksplozijska risba naprave ob navedbi tipa stroja in desetmestne številke s tipske ploščice Milwaukee Electric Tool, Max-Eyth-Straße 10, D-71364 Winnenden, Germany.

## SIMBOLI



Prosimo, da pred uporabo pazljivo preberete to navodilo za uporabo.



Pred vsemi deli na stroju izvlecite vtičač iz vtičnice.



Oprema – ni vsebovana v obsegu dobave, priporočeno dopolnilo iz programa opreme.



Električnega orodja ne odstranjujte s hišnimi odpadki! V skladu z Evropsko direktivo 2002/96/EG o odpadni elektrici in elektronski opremi in z njenim izvajanjem v nacionalni zakonodaji je treba električna orodja ob koncu njihove življenjske dobe loceno zbirati in jih predati v postopek okolju prijaznega recikliranja.



Zaščitni razred II: električno orodje, pri katerem zaščita proti električnemu udarcu ni odvisna le od osnovne izolacije, temveč z uporabo dodatnih zaščitnih ukrepov, kot je dvojna ali ojačana izolacija.

## TEHNIČKI PODACI

|                                       |                            |
|---------------------------------------|----------------------------|
| Snaga nominalnog prijema.....         | 710 W                      |
| Predajni učinak.....                  | 390 W                      |
| Broj hodova praznog hoda.....         | 500-2800 min <sup>-1</sup> |
| Visina hoda.....                      | 26 mm                      |
| Kosi rezovi do.....                   | 45°                        |
| Dubina rezanja max. u:                |                            |
| Drvo.....                             | 120 mm                     |
| Čelik.....                            | 10 mm                      |
| Aluminij.....                         | 30 mm                      |
| Težina po EPTA-proceduri 01/2003..... | 2,3 kg                     |

### Informacije o buci/vibracijama

Mjerne vrijednosti utvrđene odgovarajuće EN 60 745.

A-ocijenjeni nivo buke aparata iznosi tipično:

|                                      |           |
|--------------------------------------|-----------|
| nivo pritiska zvuka (K=3 dB(A))..... | 87 dB (A) |
| nivo učinka zvuka (K=3 dB(A)).....   | 98 dB (A) |

### Nositi zaštitu sluha!

Ukupne vrijednosti vibracije (vektor suma tri smjera) su odmjerene odgovarajuće EN 60745

|   |                       |
|---|-----------------------|
| Rezanje drva pilom                                |                       |
| Vrijednost emisije vibracije a <sub>h</sub> ..... | 10,5 m/s <sup>2</sup> |
| Nesigurnost K=.....                               | 1,5 m/s <sup>2</sup>  |
| Rezanje metalnog lima                             |                       |
| Vrijednost emisije vibracije a <sub>h</sub> ..... | 10 m/s <sup>2</sup>   |
| Nesigurnost K=.....                               | 1,5 m/s <sup>2</sup>  |

## OPOZORILO

V teh navodilih navedena raven treslajev je bila izmjerena po EN60745 normiranem merilnem postopku in lahko služi medsebojni primerjavi električnih orodij. Prav tako je primeren za predhodno oceno obremenitve s treslaji.

Navedena raven treslajev navaja najpomembnejše vrste rabe električnega orodja. Kadar se električno orodje uporablja za drugačne namene, z odstopajočimi orodji ali pa z nezadostnim vzdrževanjem, lahko raven treslajev tudi odstopa. Le to lahko čez celoten delovni čas znatno zviša obremenitev s tresenjem.

Za natančno oceno obremenitve s treslaji naj bi se upošteval tudi čas v katerem je naprava izklopljena ali sicer teče, vendar dejansko ni v rabi. Le to lahko obremenitev s treslaji čez celoten delovni čas znatno zmanjša.

Za zaščito upravljalca pred učinkom treslajev uvedite dodatne zaščitne ukrepe npr.: Vzdrževanje električnega orodja in orodja, delo s toplimi rokami, organizacija delovnih potekov.

**⚠ UPOZORENIE! Prečitajte sigurnosne upute i uputnice, isto i one iz priložene brošure.** Ako se ne bi poštivala napomene o sigurnosti i upute to bi moglo uzrokovati strujni udar, požar i/ili teške ozljede. **Sačuvajte sve napomene o sigurnosti i upute za buduću primjenu.**

## SPECIJALNE SIGURNOSNE UPUTE

**Nosite zaštitu za sluh.** Djelovanje buke može dovesti do gubitka sluha.

**Držite spravu na izoliranim držačkim površinama kada izvodite radove kod kojih rezački alat može pogoditi skrivene vodove struje ili osobni kabel.** Kontaktom s vodovima pod naponom, pod napon će se staviti i metalni dijelovi uređaja, što može dovesti do električnog udara.

Utičnice na vanjskom području moraju biti opremljene zaštitnim prekidačima za pogrešnu struju. To zahtjeva instalacijski propis za električne uređaje. Molimo da ovo poštujuete prilikom upotrebe našeg aparata.

Kod radova sa strojem uvijek nositi zaštitne naočale. Zaštitne rukavice, čvrste i protiv klizanja sigurne cipele kao i pregača se preporučuju.

Piljevina ili iverje se za vrijeme rada stroja ne smiju odstranjivati.

Prije radova na stroju izvući utikač iz utičnice.

Samo isključeni stroj priključiti na utičnicu.

Priključni kabel uvijek držati udaljenim sa područja djelovanja. Kabel uvijek voditi od stroja prema nazad.

Bezuvjetno upotrijebiti zaštitnu napravu stroja.

Listovi pile sa pukotinama, koji su promijenili oblik, se ne smiju upotrebljavati!

Piljenje uronjavanjem je moguće samo kod mekših materijala (drvo, lagani građevni materijal za zidove), kod tvrdih materijala (metali) se mora nadodati za list pile odgovarajuće veliko bušenje.

Prašina koja nastaje prilikom rada je često nezdrava i ne bi smijela dospjeti u tijelo. Nositi prikladnu zaštitnu masku protiv prašine.

## PROPIISNA UPOTREBA

Ubodna pila pili drvo, plastiku i metal. Ona reže ravnine, zakošenja, krivine i unutrašnje isječke.

Ovaj aparat se smije upotrijebiti samo u određene svrhe kao što je navedeno.

## GE-IZJAVA KONFORMNOSTI

Izjavljujemo na osobnu odgovornost, da se ovaj proizvod slaže sa slijedećim normama ili normativnim dokumentima.  
EN 60745-1:2009 + A11:2010  
EN 60745-2-11:2010  
EN 55014-1:2006 + A1:2009 + A2:2011  
EN 55014-2:1997 + A1:2001 + A2:2008  
EN 61000-3-2:2006 + A1:2009 + A2:2009  
EN 61000-3-3:2008  
po odredbama smjernica  
2011/65/EU (RoHS)  
2006/42/EC  
2004/108/EC



Winnenden, 2012-09-07

Rainer Kumpf  
Director Product Development

Ovlašten za formiranje tehničke dokumentacije.

## PRIKLJUČAK NA MREŽU

Priključiti samo na jednofaznu naizmjeničnu struju i samo na napon struje, naveden na pločici snage. Priključak je moguć i na utičnice bez zaštitnog kontakta, jer postoji dogradnja zaštitne klase II.

Pod djelovanjem ekstremnih elektromagnetskih smetnji izvana, mogu u pojedinim slučajevima nastati privremene oscilacije broja okretaja.

## ODRŽAVANJE

Proreze za prozračivanje stroja uvijek držati čistima.

Primijeniti samo Milwaukee opremu i rezervne dijelove. Sastavne dijelove, čija zamjena nije opisana, dati zamijeniti kod jedne od Milwaukee servisnih službi (poštivati brošuru Garancija/Adrese servisa).

Po potrebi se može zatražiti crtež eksplozije aparata uz davanje podataka o tipu stroja i desetoznamenastog broja na pločici snage kod Vaše servisne službe ili direktno kod Milwaukee Electric Tool, Max-Eyth-Straße 10, D-71364 Winnenden, Germany.

## SIMBOLI



Molimo da pažljivo pročitate uputu o upotrebi prije puštanja u rad.



Prije svih radova na stroju utikač izvući iz utičnice.



Oprema - u opsegu isporuke nije sadržana, preporučena dopuna iz promograma opreme.



Elektricne alate ne odlažite u kucne otpatke! Prema Europskoj direktivi 2002/96/EG o starim elektricnim i elektronicnim strojevima i preuzimanju u nacionalno pravo moraju se istrošeni elektricni alati sakupljati odvojeno i odvesti u pogon za reciklažu.



Zaštitna klasa II, električni alat, kod koga zaštita protiv električnog udara ne zavisi samo o osnovnoj izolaciji, već se kod njega primjenjuju dodatne zaštitne mjere, kao dvostruka izolacija ili pojačana izolacija.

## TEHNISKIE DATI

|   |                            |
|---|----------------------------|
| Nominālā atdotā jauda.....                    | 710 W                      |
| Cietkoks .....                                | 390 W                      |
| Tukšgaitas gājienu skaits.....                | 500-2800 min <sup>-1</sup> |
| Gājienu augstums .....                        | 26 mm                      |
| Sasvērta zāģēšana līdz .....                  | 45°                        |
| maks. griezumam dziļums (mērv.):              |                            |
| Koks .....                                    | 120 mm                     |
| Tērauds .....                                 | 10 mm                      |
| alumīnijs .....                               | 30 mm                      |
| Svars atbilstoši EPTA -Procedure 01/2003..... | 2,3 kg                     |

### Trokšņu un vibrāciju informācija

Vērtības, kas noteiktas saskaņā ar EN 60 745.

A novērtētās aparatūras skaņas līmenis ir:

|  |           |
|--|-----------|
| trokšņa spiediena līmenis (K = 3 dB(A))..... | 87 dB (A) |
| trokšņa jaudas līmenis (K = 3 dB(A)) .....   | 98 dB (A) |

### Nēsāt trokšņa slāpētāju!

Svārstību kopējā vērtība (Trīs virzienu vektoru summa) tiek noteikta atbilstoši EN 60745.

|   |                       |
|---|-----------------------|
| Koka zāģis                                      |                       |
| svārstību emisijas vērtība a <sub>h</sub> ..... | 10,5 m/s <sup>2</sup> |
| Nedrošība K= .....                              | 1,5 m/s <sup>2</sup>  |
| Metāla un skārda zāģis                          |                       |
| svārstību emisijas vērtība a <sub>h</sub> ..... | 10 m/s <sup>2</sup>   |
| Nedrošība K= .....                              | 1,5 m/s <sup>2</sup>  |

## UZMANĪBU

Instrukcijā norādītā svārstību robežvērtība ir izmērīta mērījumu procesā, kas veikts atbilstoši standartam EN 60745, un to var izmantot elektroinstrumentu savstarpējai salīdzināšanai. Tā ir piemērota arī svārstību noslogojuma pagaidu izvērtēšanai.

Norādītā svārstību robežvērtība ir reprezentatīva elektroinstrumenta pamata pielietojuma jomām. Tomēr, ja elektroinstrumentus tiek pielietoti citās jomās, papildus izmantojot neatbilstošus elektroinstrumentus vai pēc nepietiekamas tehniskās apkopes, tad svārstību robežvērtība var atšķirties. Tas var ievērojami palielināt svārstību noslogojumu visa darba laikā.

Precīzai svārstību noslogojuma noteikšanai, ir jāņem vērā arī laiks, kad ierīces ir izslēgta vai arī ir ieslēgta, tomēr faktiski netiek lietota. Tas var ievērojami samazināt svārstību noslogojumu visa darba laikā.

Integrējiet papildus drošības pasākumus pret svārstību ietekmi lietotājam, piemēram: elektroinstrumentu un darba instrumentu tehniskā apkope, roku siltuma uzturēšana, darba procesu organizācija.

**⚠ UZMANĪBU! Izlasiet visu drošības instrukciju un lietošanas pamācību klāt pievienotajā bukletā.** Šeit sniegto drošības noteikumu un norādījumu neievērošana var izraisīt aizdegšanos un būt par cēloni elektriskajam triecienam vai nopietnam savainojumam.  
**Pēc izlasīšanas uzglabājiet šos noteikumus turpmāki izmantošanai.**

## SPECIĀLIE DROŠĪBAS NOTEIKUMI

**Nēsājiet asu aizsargus.** Trokšņa iedarbības rezultātā var rasties dzirdes traucējumi.

**Leļcī turiet aiz izolētiem rokturiem, ja veicat darbus, kuros griešanas darbiem izmantojamais instruments var skart paslēptus elektro vadus vai pats savu kabeli.** Asmenim saskaroties ar vadiem, kuriem tiek pievadīts fāzes spriegums, šis spriegums nonāk arī uz instrumenta korpusa strāvu vadošajām daļām un var izraisīt elektrisko triecienu.

Kontaktilgždām, kas atrodas ārpus telpām jābūt aprīkotām ar automātiskiem drošinātājslēdzīdžiem, kas nostrādā, ja strāvas plūsmā radušies bojājumi. To pieprasa jūsu elektroiekārtas instalācijas noteikumi. Lūdzu, to ņemt vērā, izmantojot mūsu instrumentus.

Strādājot ar mašīnu, vienmēr jānēsā aizsargbrilles. Tiek ieteikts nēsāt arī aizsargcimdus, slēgtus, neslidošus apavus un priekšautu.

Skaidas un atlūzas nedrīkst ņemt ārā, kamēr mašīna darbojas.

Pirms jebkādiem darbiem, kas attiecas uz mašīnas apkopi, mašīnu noteikti vajag atvienot no kontaktilgždas.

Mašīnu pievienot kontaktilgždai tikai izslēgtā stāvoklī.

Pievienojuma kabeli vienmēr turēt atstatu no mašīnas darbības lauka. Kabelim vienmēr jāatrodas aiz mašīnas.

Noteikti vajag izmantot mašīnai paredzēto aizsargaprīkojumu.

Saplaisājušās zāģu ripas un tādas, kas ir izmainījušās savu formu, nedrīkst izmantot.

Iegremdējamās zāģus drīkst izmantot tikai mīkstu materiālu apstrādei (koks, vieglie būvmateriāli sienām), cietākos materiālos iepriekš jāveic zāģa ripas izmēram atbilstošs urbums.

Putekļi, kas rodas darba gaitā, bieži ir kaitīgi veselībai un tiem nevajadzētu nokļūt organismā. Jānēsā piemērota maska, kas pasargā no putekļiem.

## NOTEIKUMIEM ATBILSTOŠS IZMANTOJUMS

Ar svārsta zāģi var zāģēt koku, plastmasu un metālu. Ar to var veikt taisnos zāģējumus, kā arī sasvērto, slīpo un kombinēto zāģēšanu.

Šo instrumentu drīkst izmantot tikai saskaņā ar minētajiem lietošanas noteikumiem.

## ATBILSTĪBA CE NORMĀM

Ar šo apliecinām, ka esam atbildīgi par to, lai šis produkts atbilstu sekojošām normām vai normatīvajiem dokumentiem:

EN 60745-1:2009 + A11:2010  
EN 60745-2-11:2010  
EN 55014-1:2006 + A1:2009 + A2:2011  
EN 55014-2:1997 + A1:2001 + A2:2008  
EN 61000-3-2:2006 + A1:2009 + A2:2009  
EN 61000-3-3:2008  
saskaņā ar direktīvu noteikumiem  
2011/65/EU (RoHS)  
2006/42/EK  
2004/108/EK



Winnenden, 2012-09-07

Rainer Kumpf  
Director Product Development

Pilnvarotais tehniskās dokumentācijas sastādītājs.

## TĪKLA PIESLĒGUMS

Pieslēgt tikai vienkāršu maiņstrāvas tīklam un tikai spriegumam, kas norādīts uz jaudas paneļa. Pieslēgums iespējams arī kontaktilgždām bez aizsargkontaktiem, jo runa ir par uzbūvi, kas atbilst II. aizsargklasei.

Ārkārtas ārējo elektromagnētisko traucējumu rezultātā atsevišķos gadījumos var uz laiku tikt izsauktas apgriezienu skaita svārstības.

## APKOPE

Vajag vienmēr uzmanīties, lai būtu tīras dzesēšanas atveres.

Izmantojiet tikai firmu Milwaukee piederumus un firmas rezerves daļas. Lieciet nomainīt detaļas, kuru nomaīņa nav aprakstīta, kādā no firmu Milwaukee klientu apkalpošanas servisiem. (Skat. brošūru "Garantija/klientu apkalpošanas serviss".)

Ja nepieciešams, klientu apkalpošanas servisā vai tieši pie firmas Milwaukee Electric Tool, Max-Eyth-Straße 10, D-71364 Winnenden, Germany, var pieprasīt instrumenta eksplozijas zīmējumu, šim nolūkam jāuzrāda mašīnas tips un desmitvītiņgais numurs, kas norādīts uz jaudas paneļa.

## SIMBOLI



Pirms sākt lietot instrumentu, lūdzu, izlasiet lietošanas pamācību.



Pirms veicat jebkādas darbības attiecībā uz mašīnas apkopi, atvienojiet kontaktdakšu no kontaktilgždas.



Piederumi - standartaprīkojumā neietvertas, bet ieteicamās papildus komplektācijas detaļas no piederumu programmas.



Neizmetiet elektroiekārtas sadzīves atkritumos! Saskaņā ar Eiropas Direktīvu 2002/96/EG par lietotajam lektroiekārtam, elektronikas iekārtām un tas iekļaušanu valsts likumdošana lietotas elektroiekārtas ir jāsavāc atsevišķi un jānodrošina atbilstoši parstrādei videi draudzīga veida.



Aizsardzības kategorija II, elektroierīce, kuru lietojot aizsardzība pret elektrības triecienu ir atkarīga nevis no pamat izolācijas, bet gan no papildus drošības pasākumiem kā dubultā izolācija vai pastiprinātā izolācija.

## TECHINIAI DUOMENYS

|  |                            |
|--|----------------------------|
| Vardinė imamoji galia .....  | 710 W                      |
| Išėjimo galia .....  | 390 W                      |
| judesių skaičius laisva eiga .....                                   | 500-2800 min <sup>-1</sup> |
| judesio aukštis .....  | 26 mm                      |
| įstriži pjūviai iki .....  | 45°                        |
| Maks. pjūvio gylis pjaunant:   |                            |
| medieną .....  | 120 mm                     |
| plieną .....   | 10 mm                      |
| Aliuminis .....  | 30 mm                      |
| Prietaiso svoris įvertintas pagal EPTA 2003/01 tyrimų metodiką ..... | 2,3 kg                     |

### Informacija apie triukšmą/vibraciją

Vertės matuotos pagal EN 60 745.

Įvertintas A įrenginio keliamo triukšmo lygis dažniausiai sudaro:

|                                      |           |
|--------------------------------------|-----------|
| Garso slėgio lygis (K=3 dB(A)) ..... | 87 dB (A) |
| Garso galios lygis (K=3 dB(A)) ..... | 98 dB (A) |

### Nešioti klausos apsaugines priemones!

Bendroji svyravimų reikšmė (trijų krypčių vektorių suma), nustatyta remiantis EN 60745.

Medienos pjovimas

|  |                       |
|--|-----------------------|
| Vibravimų emisijos reikšmė $a_h$ ..... | 10,5 m/s <sup>2</sup> |
| Paklaida K= .....                      | 1,5 m/s <sup>2</sup>  |

Metalo skardos pjovimas

|  |                      |
|--|----------------------|
| Vibravimų emisijos reikšmė $a_h$ ..... | 10 m/s <sup>2</sup>  |
| Paklaida K= .....                      | 1,5 m/s <sup>2</sup> |

## DĖMESIO

Instrukcijoje nurodyta svyravimų ribinė vertė yra išmatuota remiantis standartu EN 60745; ji gali būti naudojama keliems elektriniams instrumentams palyginti. Ji taikoma ir laikinai įvertinti svyravimų apkrova.

Nurodyta svyravimų ribinė vertė yra taikoma pagrindinėse elektrinio instrumento naudojimo srityse. Svyravimų ribinė vertė gali skirtis naudojant elektrinį instrumentą kitose srityse, papildomai naudojant netinkamus elektrinius instrumentus arba juos nepakankamai techniškai prižiūrint. Dėl to viso darbo metu gali žymiai padidėti svyravimų apkrova.

Siekiant tiksliai nustatyti svyravimų apkrovą, būtina atsižvelgti ir į laikotarpį, kai įrenginys yra išjungtas arba įjungtas, tačiau faktiškai nenaudojamas. Dėl to viso darbo metu gali žymiai sumažėti svyravimų apkrova.

Siekiant apsaugoti vartotojus nuo svyravimo įtakos naudojamos papildomos saugos priemonės, pavyzdžiui, elektrinių darbo instrumentų techninė priežiūra, rankų šilumos palaikymas, darbo procesų organizavimas.

**⚠ DĖMESIO! Perskaitykite visas saugumo pastabas ir nurodymus, esančius pridėtoje brošiūroje.** Jei nepaisysite žemiau pateiktų saugos nuorodų ir reikalavimų, gali trenkti elektros smūgis, kilti gaisras ir/arba galite sunkiai susižaloti arba sužaloti kitus asmenis.  
**Išsaugokite šias saugos nuorodas ir reikalavimus, kad ir ateityje galėtumėte jais pasinaudoti.**

## YPATINGOS SAUGUMO NUORODOS

**Nešiodkite klausos apsaugos priemones.** Triukšmo poveikyje galima netekti klausos.

**Dirbdami laikykite prietaisą už izoliuotų vietų, kuriose pjovimo įrenginys pats galėtų liesti paslėptus laidus arba savo paties laidą.** Dėl kontakto su laidininku, kuriuo teka elektros srovė, metalinėse prietaiso dalyse atsiranda atampa ir naudotojas gali gauti elektros smūgą.

Lauke esantys el. lizdai turi būti su gedimo srovės išjungikliais. Tai nurodyta Jūsų elektros įrenginio instaliacijos taisyklėse. Atsižvelkite į tai, naudodami prietaisą.

Dirbdami su įrenginiu visada nešiodkite apsauginius akinius. Rekomenduotina nešioti apsaugines pirštines, tvirtus batus neslidžiu padu bei prijuostę.

Draudžiama išiminti drožles ar nuopjovus, įrenginiui veikiant.

Prieš atlikdami bet kokius įrenginyje, ištraukite iš lizdo kištuką.

Kištuką į lizdą įstatykite, tik kai įrenginys išjungtas.

Maitinimo kabelis turi nebūti įrenginio poveikio srityje. Kabelį visada nuveskite iš galinės įrenginio pusės.

## CE ATITIKTIES PAREIŠKIMAS

Mes atsakingai pareiškiame, kad šis gaminys atitinka tokias normas arba normatyvinius dokumentus:

EN 60745-1:2009 + A11:2010

EN 60745-2-11:2010

EN 55014-1:2006 + A1:2009 + A2:2011

EN 55014-2:1997 + A1:2001 + A2:2008

EN 61000-3-2:2006 + A1:2009 + A2:2009

EN 61000-3-3:2008

pagal direktyvų reikalavimus

2011/65/EU (RoHS)

2006/42/EB

2004/108/EB



Winnenden, 2012-09-07

Rainer Kumpf

Director Product Development

Įgaliotas parengti techninius dokumentus.

## ELEKTROS TINKLO JUNGTIŠ

Jungti tik prie vienfazės kintamos elektros srovės ir tik į specifikacijų lentelėje nurodytos įtampos elektros tinklą. Konstrukcijos saugos klasė II, todėl galima jungti ir į lizdus be apsauginio kontakto.

Ypatingai didelių išorinių elektromagnetinių trukdžių poveikyje atskirais atvejais galimi trumpalaikiai sūkių skaičiaus svyravimai.

## TECHINIS APTARNAVIMAS

Įrenginio vėdinimo angos visada turi būti švarios.

Naudokite tik Milwaukee priedus ir atsargines dalis. Dalis, kurių keitimas neaprašytas, leidžiama keisti tik Milwaukee klientų aptarnavimo skyriams (žr. garantiją/klientų aptarnavimo skyrių adresus brošiūroje).

Jei reikia, nurodant įrenginio tipą bei specifikacijų lentelėje esantį dešimtženklį numerį, iš klientų aptarnavimo skyriaus arba tiesiai iš Milwaukee Electric Tool, Max-Eyth-Straße 10, D-71364 Winnenden, Germany, galima užsisakyti prietaiso surinkimo brėžinius.

Būtinai naudokite įrenginio saugos įtaisus.

Įtrūkusių arba pakitusios formos pjovimo diskus naudoti draudžiama!

Pjauti įleidimo metodu galima tik minkštos medžiagos (medienoje, lengvųjų konstrukcijų medžiagose sienoms). Pjaunant kietose medžiagose, reikia išgręžti pjovimo disko dydį atitinkantį gręžinį.

Darbo metu susidaranti dulkės yra dažnai kenksmingos sveikatai ir todėl turėtų nepatekti į organizmą. Dėvėti tinkamą apsauginę kaukę nuo dulkių.

## NAUDOJIMAS PAGAL PASKIRTĮ

Siaurapjūklis pjauna medieną, plastiką ir metalą. Jis pjauna tieses, nuosklembas, kreives ir vidines išpjovas.

Šį prietaisą leidžiama naudoti tik pagal nurodytą paskirtį.

## SIMBOLIAI



Prieš pradėdami dirbti su prietaisu, atidžiai perskaitykite jo naudojimo instrukciją.



Prieš atlikdami bet kokius darbus įrenginyje, ištraukite kištuką iš lizdo.



Priedas – neįeina į tiekimo komplektaciją, rekomenduojamas papildymas iš priedų asortimento.



Neišmeskite elektros įrengimu i buitinius šiukšlynus! Pagal ES Direktyva 2002/96/EG dėl naudoto įrengimu, elektros įrengimu ir ju ištraukimo i valstybinius istatymus naudotas įrengimus butina suringti atskirai ir nugabenti antriniu žaliavu perdirbimui aplinkai nekenksmingu budu.



II-os apsaugos klasės elektros prietaisas, kuris nuo elektros srovės poveikio yra apsaugotas ne tik pagrindine izoliacija, bet ir tokiomis papildomomis apsauginėmis priemonėmis, kaip dviguba arba sustiprinta izoliacija.



## TEHNILISED ANDMED

|  |                            |
|--|----------------------------|
| Nimitarbimine.....                             | 710 W                      |
| Väljundvõimsus.....                            | 390 W                      |
| Käikude arv tühjooksul.....                    | 500-2800 min <sup>-1</sup> |
| Käigu kõrgus.....                              | 26 mm                      |
| Kaldioiked kuni.....                           | 45°                        |
| Lõikesügavus maks:                             |                            |
| Puit.....                                      | 120 mm                     |
| Teras.....                                     | 10 mm                      |
| Alumiinium.....                                | 30 mm                      |
| Kaal vastavalt EPTA-protseduurile 01/2003..... | 2,3 kg                     |

### Müra/vibratsiooni andmed

Mõõteväärtused on kindlaks tehtud vastavalt normile EN 60 745.

Seadme tüüpiline hinnanguline (A) müratase:

|                                      |           |
|--------------------------------------|-----------|
| Helirõhutase (K = 3 dB(A)).....      | 87 dB (A) |
| Helivõimsuse tase (K = 3 dB(A))..... | 98 dB (A) |

### Kandke kaitseks kõrvaklappe!

Vibratsiooni koguväärtus (kolme suuna vektorsumma) mõõdetud EN 60745 järgi.

|  |                       |
|--|-----------------------|
| Puidu saagimine                                      |                       |
| Vibratsiooni emissiooni väärtus a <sub>h</sub> ..... | 10,5 m/s <sup>2</sup> |
| Määramatus K=.....                                   | 1,5 m/s <sup>2</sup>  |
| Metallpleki saagimine                                |                       |
| Vibratsiooni emissiooni väärtus a <sub>h</sub> ..... | 10 m/s <sup>2</sup>   |
| Määramatus K=.....                                   | 1,5 m/s <sup>2</sup>  |

## TÄHELEPANU

Antud juhendis toodud võnketase on mõõdetud EN 60745 standardile vastava mõõtesüsteemiga ning seda võib kasutada erinevate elektriseadmete omavahelises võrdlemises. Antud näitaja sobib ka esmaseks võnkekoormuse hindamiseks.

Antud võnketase kehtib elektriseadme kasutamisel sihtotstarbeliselt. Kui elektriseadet kasutatakse muudel otstarvetel, muude tööriistadega või seda ei hooldata piisavalt võib võnketase siintoodust erineda. Eeltoodu võib võnketaset märkimisväärselt tõsta terves töökeskkonnas.

Võnketaseme täpseks hindamiseks tuleks arvestada ka Milwaukeea, mil seade on välja lülitatud või on küll sisse lülitatud, kuid ei ole otseselt kasutusel. See võib märgatavalt vähendada kogu töökeskkonna võnketaset.

Rakendage spetsiaalseid ettevaatusabinõusid töötajate suhtes, kes puutuvad töö käigus palju kokku vibratsiooniga. Nendeks abinõudeks võivad olla, näiteks: elektri- ja tööseadmete korraline hooldus, käte soojendamine, töövoog parem organiseerimine.

**⚠ TÄHELEPANU! Lugege kõik ohutusnõuanded ja juhendid läbi, ka juures olevast brošüürist.** Ohutusnõuete ja juhiste eiramise tagajärjeks võib olla elektrilöökk, tulekahju ja/või rasked vigastused.  
**Hoidke kõik ohutusnõuded ja juhendid edasiseks kasutamiseks hoolikalt alles.**

## SPETSIAALSED TURVAJUHISED

**Kandke kaitseks kõrvaklappe.** Müra mõju võib kutsuda esile kuulmise kaotuse.

**Tööde puhul, kus lõikeseade võib minna vastu peidetud elektrijuhtmeid või seadme enda toitejuhet, hoidke kinni seadme isoleeritud käepidemetest.** Kokkupuude pingele alla oleva juhtmega võib seada seadme enda metallosad pingele alla ja põhjustada elektrilööki.

Välitingimustes asuvad pistikupesad peavad olema varustatud rikkevoolukaitselülititega. Seda nõutakse Teie elektriseadme installeerimiseeskirjas. Palun pidage sellest meie seadme kasutamisel kinni.

Masinaga töötades kandke alati kaitseprille. Soovitatavad on kaitsekindad, tugevad ja libisemiskindlad jalanõud ning põll.

Puru ega pilpaid ei tohi eemaldada masina töötamise ajal. Enne kõiki töid masina kallal tõmmake pistik pistikupesast välja.

Masin peab pistikupessa ühendamisel olema alati väljalülitatud seisundis.

Hoidke ühendusjuhe alati masina tööpiirkonnast eemal. Vedage juhe alati masinast tahapoole.

## EÜ VASTAVUSAVALDUS

Me deklareerime ainuvastutajatena, et antud toode on kooskõlas järgmiste normide või normdokumentidega:  
EN 60745-1:2009 + A11:2010  
EN 60745-2-11:2010  
EN 55014-1:2006 + A1:2009 + A2:2011  
EN 55014-2:1997 + A1:2001 + A2:2008  
EN 61000-3-2:2006 + A1:2009 + A2:2009  
EN 61000-3-3:2008  
vastavalt direktiivide sätetele  
2011/65/EU (RoHS)  
2006/42/EU  
2004/108/EÜ



Winnenden, 2012-09-07

Rainer Kumpf  
Director Product Development

On volitatud koostama tehnilist dokumentatsiooni.

## VÖRKU ÜHENDAMINE

Ühendage ainult ühefaasilise vahelduvvooluga ning ainult andmesildil toodud võrgupingega. Ühendada on võimalik ka kaitsekontaktita pistikupesadesse, kuna nende konstruktsioon vastab kaitseklassile II.

Äärmuslike väliste elektromagnetiliste häirete mõjul võib üksikjuhul esineda ajutisi pöörlemiskiiruse kõikumisi.

## HOOLDUS

Hoidke masina õhutuspilud alati puhtad.

Kasutage ainult Milwaukee tarvikuid ja tagavaraosi. Detailid, mille väljavahetamist pole kirjeldatud, laske välja vahetada Milwaukee klienditeeninduspunktis (vaadake brošüüri garantii / klienditeeninduste aadressid).

Vajaduse korral võite tellida seadme läbilõikejoonise, näidates ära masina tüübi ja andmesildil oleva kümnekojalise numbri. Selleks pöörduge klienditeeninduspunkti või otse: Milwaukee Electric Tool, Max-Eyth-Straße 10, D-71364 Winnenden, Germany.

## SÜMBOLID



Palun lugege enne käiklaskmist kasutamisujuhend hoolikalt läbi.



Enne kõiki töid masina kallal tõmmake pistik pistikupesast välja.



Tarvikud - ei kuulu tarne komplekti, soovitatav täiendus on saadaval tarvikute programmis.



Ärge käideldge kasutusõlbumatuks muutunud elektrilisi tööriistu koos olmejäätmetega! Vastavalt Euroopa Parlamendi ja nõukogu direktiivile 2002/96/EÜ elektri- ja elektroonikaseadmete jäätmete kohta ning direktiivi nõuete kohaldamisele liikmesriikides tuleb asutusõlbumatuks muutunud elektrilised tööriistad koguda eraldi ja keskkonnasäästlikult korduskasutada või ringlusesse võtta.



Kaitseklass II, elektritööriist, mille puhul ei sõltu kaitse mitte üksnes baasisolatsioonist, vaid täiendatavate kaitsemeetmete nagu topelisolatsiooni või tugevdatud isolatsiooni kohaldamisest.

## ТЕХНИЧЕСКИЕ ДАННЫЕ

|   |                            |
|---|----------------------------|
| Номинальная выходная мощность .....       | 710 W                      |
| Номинальная мощность .....                | 390 W                      |
| Частота хода без нагрузки .....           | 500-2800 min <sup>-1</sup> |
| Длина хода .....                          | 26 mm                      |
| Наклонное пиление до .....                | 45°                        |
| Макс. глубина резки в:                    |                            |
| Дерево .....                              | 120 mm                     |
| Стали .....                               | 10 mm                      |
| Алюминий .....                            | 30 mm                      |
| Вес согласно процедуре EPTA 01/2003 ..... | 2,3 kg                     |

### Информация по шумам/вибрации

Значения замерялись в соответствии со стандартом EN 60 745.

Уровень шума прибора, определенный по показателю A, обычно составляет:

|  |           |
|--|-----------|
| Уровень звукового давления (K=3 dB(A)) ..... | 87 dB (A) |
| Уровень звуковой мощности (K=3 dB(A)) .....  | 98 dB (A) |

### Пользуйтесь приспособлениями для защиты слуха.

Общие значения вибрации (векторная сумма трех направлений) определены в соответствии с EN 60745.

|  |                       |
|--|-----------------------|
| Пиление дерева                                     |                       |
| Значение вибрационной эмиссии a <sub>h</sub> ..... | 10,5 m/s <sup>2</sup> |
| Небезопасность K= .....                            | 1,5 m/s <sup>2</sup>  |
| Пиление листового металла                          |                       |
| Значение вибрационной эмиссии a <sub>h</sub> ..... | 10 m/s <sup>2</sup>   |
| Небезопасность K= .....                            | 1,5 m/s <sup>2</sup>  |

## ВНИМАНИЕ

Указанный в настоящем руководстве уровень вибрации измерен в соответствии с технологией измерения, установленной стандартом EN 60745 и может использоваться для сравнения электроинструментов друг с другом. Он также подходит для предварительной оценки вибрационной нагрузки.

Указанный уровень вибрации представляет основные виды использования электроинструмента. Но если электроинструмент используется для других целей, используемый инструмент отклоняется от указанного или техническое обслуживание было недостаточным, то уровень вибрации может отклоняться от указанного. В этом случае вибрационная нагрузка в течение всего периода работы значительно увеличивается.

Для точной оценки вибрационной нагрузки необходимо также учитывать время, в течение которого прибор отключен или включен, но фактически не используется. В этом случае вибрационная нагрузка в течение всего периода работы может существенно уменьшиться.

Установите дополнительные меры безопасности для защиты пользователя от воздействия вибрации, например: техническое обслуживание электроинструмента и используемого инструмента, поддержание рук в теплом состоянии, организация рабочих процессов.

**⚠ ВНИМАНИЕ! Ознакомьтесь со всеми указаниями по безопасности и инструкциями, в том числе с инструкциями, содержащимися в прилагающейся брошюре.** Упущения, допущенные при соблюдении указаний и инструкций по технике безопасности, могут стать причиной электрического поражения, пожара и тяжелых травм.  
**Сохраняйте эти инструкции и указания для будущего использования.**

## РЕКОМЕНДАЦИИ ПО ТЕХНИКЕ БЕЗОПАСНОСТИ

**Используйте наушники!** Воздействие шума может привести к потере слуха.

**Если Вы выполняете работы, при которых режущий инструмент может зацепить скрытую электропроводку или собственный кабель, инструмент следует держать за специально предназначенные для этого изолированные поверхности.** Контакт с ведущими напряжением проводами ставит металлические части прибора под напряжение и ведет к поражению электротоком.

Электроприборы, используемые во многих различных местах, в том числе на открытом воздухе, должны подключаться через устройство, предотвращающее резкое повышение напряжения.

При работе с инструментом всегда надевайте защитные очки. Рекомендуется надевать перчатки, прочные нескользящие ботинки и фартук.

Не убирайте опилки и обломки при включенном инструменте.

Перед выполнением каких-либо работ по обслуживанию инструмента всегда вынимайте вилку из розетки.

Вставляйте вилку в розетку только при выключенном инструменте.

Держите силовой провод вне рабочей зоны инструмента. Всегда прокладывайте кабель за спиной.

Всегда пользуйтесь защитной крышкой на инструменте.

Не используйте треснувшие или погнутые полотна пилы.

Врезание без предварительного высверливания отверстий возможно в мягких материалах (дерево, легких строительных материалах для стен). В более твердых материалах (металле) необходимо сначала просверлить отверстия, соответствующие размеру пильного полотна.

Пыль, возникающая при работе данным инструментом, может нанести вред здоровью. Не следует допускать её попадания в организм. Надевайте противопылевой респиратор.

## ИСПОЛЬЗОВАНИЕ

Этот лобзик может пилить дерево, пластик и металл; он может пилить по прямой, под наклоном, по кривой и делать внутренние вырезы.

Не пользуйтесь данным инструментом способом, отличным от указанного для нормального применения.

## ДЕКЛАРАЦИЯ О СООТВЕТСТВИИ СТАНДАРТАМ ЕС

Мы заявляем что этот продукт соответствует следующим стандартам:

EN 60745-1:2009 + A11:2010

EN 60745-2-11:2010

EN 55014-1:2006 + A1:2009 + A2:2011

EN 55014-2:1997 + A1:2001 + A2:2008

EN 61000-3-2:2006 + A1:2009 + A2:2009

EN 61000-3-3:2008

в соответствии с правилами

2011/65/EU (RoHS)

2006/42/EC

2004/108/EC



Winnenden, 2012-09-07

Rainer Kumpf  
Director Product Development

Уполномочен на составление технической документации.

## ПОДКЛЮЧЕНИЕ К ЭЛЕКТРОСЕТИ

Подсоединять только к однофазной сети переменного тока с напряжением, соответствующим указанному на инструменте. Электроинструмент имеет второй класс защиты, что позволяет подключать его к розеткам электропитания без заземляющего вывода.

В отдельных случаях возможны ремённые изменения коростивращения в результате сильных внешних электромагнитных помех.

## ОБСЛУЖИВАНИЕ

Всегда держите охлаждающие отверстия чистыми.

Пользуйтесь аксессуарами и запасными частями только фирмы Milwaukee. В случае возникновения необходимости в замене, которая не была описана, пожалуйста, обращайтесь на один из сервисных центров (см. список наших гарантийных/сервисных организаций).

При необходимости может быть заказан чертеж инструмента с трехмерным изображением деталей. Пожалуйста, укажите десятизначный номер и тип инструмента и закажите чертеж у Ваших местных агентов или непосредственно у Milwaukee Electric Tool, Max-Eyth-Straße 10, D-71364 Winnenden, Germany.

## СИМВОЛЫ



Пожалуйста, внимательно прочтите инструкцию по использованию перед началом любых операций с инструментом.



Перед выполнением каких-либо работ по обслуживанию инструмента всегда вынимайте вилку из розетки.



Дополнитель - В стандартную комплектацию не входит, поставляется в качестве дополнительной принадлежности.



Не выбрасывайте электроинструмент с бытовыми отходами! Согласно Европейской директиве 2002/96/EC по отходам от электрического и электронного оборудования и соответствующим нормам национального права вышедшие из употребления электроинструменты подлежат сбору отдельно для экологически безопасной утилизации.



Класс защиты II, электроинструмент, в котором защита от поражения электрическим током зависит не только от базовой изоляции, но и от дополнительных защитных мер, таких как двойная изоляция или усиленная изоляция.



Соответствие техническому регламенту



Национальный знак відповідності України

TR 066

## ТЕХНИЧЕСКИ ДАННИ

|  |                            |
|--|----------------------------|
| Номинална консумирана мощност                  | 710 W                      |
| Отдавана мощност                               | 390 W                      |
| Честота на движение на триончето на празен ход | 500-2800 min <sup>-1</sup> |
| Височина на хода                               | 26 mm                      |
| Рязане под ъгъл до                             | 45°                        |
| Макс. дълбочина на рязане в:                   |                            |
| дърво  | 120 mm                     |
| стомана  | 10 mm                      |
| Алуминий                                       | 30 mm                      |
| Тегло съгласно процедурата EPTA 01/2003        | 2,3 kg                     |

## Информация за шума/вибрациите

Измерените стойности са получени съобразно EN 60 745.

Оцененото с А ниво на шума на уреда е съответно:

|                                       |           |
|---------------------------------------|-----------|
| Ниво на звукова мощност (K = 3 dB(A)) | 87 dB (A) |
| Ниво на звукова мощност (K = 3 dB(A)) | 98 dB (A) |

## Да се носи предпазно средство за слуха!

Общите стойности на вибрациите (векторна сума на три посоки) са определени в съответствие с EN 60745.

Рязане на дърво

|   |                       |
|---|-----------------------|
| Стойност на емисии на вибрациите a <sub>n</sub> | 10,5 m/s <sup>2</sup> |
| Несигурност K=                                  | 1,5 m/s <sup>2</sup>  |

Рязане на метална ламарина

|   |                      |
|---|----------------------|
| Стойност на емисии на вибрациите a <sub>n</sub> | 10 m/s <sup>2</sup>  |
| Несигурност K=                                  | 1,5 m/s <sup>2</sup> |

## ВНИМАНИЕ

Посоченото в тези инструкции ниво на вибрациите е измерено в съответствие със стандартизиран в EN 60745 измервателен метод и може да се използва за сравнение на електрически инструменти помежду им. Подходящ е и за временна оценка на вибрационното натоварване.

Посоченото ниво на вибрациите представя основните приложения на електрическия инструмент. Ако обаче електрическият инструмент се използва с друго предназначение, с различни сменяеми инструменти или при недостатъчна техническа поддръжка, нивото на вибрациите може да е различно. Това чувствително може да увеличи вибрационното натоварване по време на целия работен цикъл.

За точната оценка на вибрационното натоварване трябва да се вземат предвид и периодите от време, в които уредът е изключен или работи, но в действителност не се използва. Това чувствително може да намали вибрационното натоварване по време на целия работен цикъл.

Определете допълнителни мерки по техника на безопасност в защита на обслужващия работник от въздействието на вибрациите като например: техническа поддръжка на електрическия инструмент и сменяемите инструменти, поддържане на ръцете топли, организация на работния цикъл.

**⚠ ВНИМАНИЕ! Прочетете указанията за безопасност и съветите в приложената брошура.** Неспазването на приведените по-долу указания може да доведе до токов удар, пожар и/или тежки травми.  
**Съхранявайте тези указания на сигурно място.**

## СПЕЦИАЛНИ УКАЗАНИЯ ЗА БЕЗОПАСНОСТ

**Носете средство за защита на слуха.** Въздействието на шума може да предизвика загуба на слуха.

**Дръжте уреда за изолираните ръкохватки, когато извършвате работи, при които режещият инструмент може да засегне скрити електроинсталационни кабели или собствения си кабел.** Контактът на режещия инструмент с тоководещ проводник може да предаде напрежението върху метални части на уреда и да доведе до токов удар.

Контактите във външните участъци трябва да бъдат оборудвани със защитни прекъсвачи за утечен ток. Това изисква предписанието за инсталиране за електрическата инсталация. Моля спазвайте това при използване на Вашия уред.

При работа с машината винаги носете предпазни очила. Препоръчват се също така предпазни ръкавици, здрави и нехлъзгащи се обувки, както и престилка.

Стружки или отчупени парчета да не се отстраняват, докато машина работи.

Преди каквито и да е работи по машината извадете щепсела от контакта.

Свързвайте машината към контакта само в изключено положение.

## СЕ - ДЕКЛАРАЦИЯ ЗА СЪОТВЕТСТВИЕ

Декларираме на собствена отговорност, че този продукт съответства на следните стандарти или нормативни документи:

EN 60745-1:2009 + A11:2010  
EN 60745-2-11:2010  
EN 55014-1:2006 + A1:2009 + A2:2011  
EN 55014-2:1997 + A1:2001 + A2:2008  
EN 61000-3-2:2006 + A1:2009 + A2:2009  
EN 61000-3-3:2008

съобразно предписанията на директивите 2011/65/EU (RoHs)  
2006/42/EO  
2004/108/EO



Winnenden, 2012-09-07

Rainer Kumpf  
Director Product Development

Упълномощен за съставяне на техническата документация

## СВЪРЗВАНЕ КЪМ МРЕЖАТА

Да се свързва само към еднофазен променлив ток и само към мрежово напрежение, посочено върху заводската табелка. Възможно е и свързване към контакт, който не е от тип "шуко", понеже конструкцията е от защитен клас II.

При въздействие на екстремни външни електромагнитни смущения в отделни случаи могат да възникнат временни колебания на честотата на въртене.

## ПОДДРЪЖКА

Вентилационните шлицы на машината да се поддържат винаги чисти.

Да се използват само аксесоари на Milwaukee и резервни части на. Елементи, чията подмяна не е описана, да се дадат за подмяна в сервиз на Milwaukee (вижте брошурата "Гаранция и адреси на сервизи").

При необходимост можете да поискате за уреда от Вашия сервиз или директно от Milwaukee Electric Tool, Max-Eyth-Straße 10, D-71364 Winnenden, Germany, чертеж за в случай на експлозия, като посочите типа на машината и десетцифрения номер върху заводската табелка.

Свързващият кабел винаги да се държи извън работния обсег на машината. Кабелът да се отвежда от машината винаги назад.

Предпазните устройства на машината да се използват задължително.

Да не се използват напукани режещи листове или такива, които са се деформирали!

Рязане с потъване на триона е възможно само при по-меки материали (дърво, леки строителни материали за стени), а при по-твърди материали (метали) трябва да се направи голям отвор съобразно режещия лист.

Прахът, който се образува при работа, често е вреден за здравето и не бива да попада в тялото. Да се носи подходяща прахозащитна маска.

## ИЗПОЛЗВАНЕ ПО ПРЕДНАЗНАЧЕНИЕ

Прободният трион реже дърво, пластмаса и метал. Той реже по права линия, под ъгъл и по крива линия и прави вътрешни изрези.

Този уред може да се използва по предназначение само както е посочено.

## СИМВОЛИ



Преди пускане на уреда в действие моля прочетете внимателно инструкцията за използване.



Преди всякакви работи по машината извадете щепсела от контакта.



Аксесоари - Не се съдържат в обема на доставката, препоръчвано допълнение от програмата за аксесоари.



Не изхвърляйте електроинструменти при битовите отпадъци! Съобразно Европейска директива 2002/96/EO за стари електрически и електронни уреди и нейното реализиране в националното законодателство изхабените електроинструменти трябва да се събират отделно и да се предават в пункт за екологосъобразно рециклиране.



Клас на защита II, електроинструмент, при който защитата срещу токов удар зависи не само от основното изолиране, а при която се използват допълнителни предпазни мерки, като двойна изолация или подсилена изолация.

## DATE TEHNICE

|  |                            |
|--|----------------------------|
| Putere nominală de ieșire.....                   | 710 W                      |
| Putere de ieșire .....                           | 390 W                      |
| Cursa în gol .....                               | 500-2800 min <sup>-1</sup> |
| Lungimi de cursă .....                           | 26 mm                      |
| Tăiere oblică până la .....                      | 45°                        |
| Adâncimea max. de tăiere                         |                            |
| Lemn .....                                       | 120 mm                     |
| Oțel.....  | 10 mm                      |
| Aluminiu.....                                    | 30 mm                      |
| Greutatea conform „EPTA procedure 01/2003” ..... | 2,3 kg                     |

### Informație privind zgomotul/vibrațiile

Valori măsurate determinate conform EN 60 745.

Nivelul de zgomot evaluat cu A al aparatului este tipic de:

|   |           |
|---|-----------|
| Nivelul presiunii sonore (K=3 dB(A))..... | 87 dB (A) |
| Nivelul sunetului (K=3 dB(A)).....        | 98 dB (A) |

### Purtați căști de protecție

Valorile totale de oscilație (suma vectorială pe trei direcții) determinate conform normei EN 60745.

|  |                       |
|--|-----------------------|
| Tăiere de lemn                                     |                       |
| Valoarea emisiei de oscilații a <sub>n</sub> ..... | 10,5 m/s <sup>2</sup> |
| Nesiguranță K= .....                               | 1,5 m/s <sup>2</sup>  |
| Tăiere de tablă din metal                          |                       |
| Valoarea emisiei de oscilații a <sub>n</sub> ..... | 10 m/s <sup>2</sup>   |
| Nesiguranță K= .....                               | 1,5 m/s <sup>2</sup>  |

## AVERTISMENT

Gradul de oscilație indicat în prezentele instrucțiuni a fost măsurat în conformitate cu o procedură de măsurare normată prin norma EN 60745 și poate fi folosit pentru a compara uneltele electrice între ele. El se pretează și pentru o evaluare provizorie a solicitării la oscilații.

Gradul de oscilație indicat reprezintă aplicațiile principale ale uneltele electrice. În cazul în care însă uneltele electrice au fost folosite pentru alte aplicații, ori au fost folosite uneltele de muncă diferite ori acestea nu au fost supuse unei suficiente inspecții de întreținere, gradul de oscilație poate fi diferit. Acest fapt poate duce la o creștere netă a solicitărilor la oscilații dealungul întregii perioade de lucru.

În scopul unei evaluări exacte a solicitării la oscilații, urmează să fie luate în considerație și perioadele de timp în care aparatul a fost oprit ori funcționează dar, în realitate, el nu este folosit în mod practic. Acest fapt poate duce la o reducere netă a solicitărilor la oscilații dealungul întregii perioade de lucru.

Stabiliți măsuri de siguranță suplimentare în scopul protecției utilizatorului de efectele oscilațiilor, de exemplu: inspecție de întreținere a uneltele electrice și a celor de muncă, păstrarea caldă a mâinilor, organizarea proceselor de muncă.

### ⚠ AVERTISMENT! Citiți toate avizele de siguranță și indicațiile, chiar și cele din borșura alăturată.

Nerespectarea indicațiilor de avertizare și a instrucțiunilor poate provoca electrocutare, incendii și/sau răni grave. **Păstrați toate indicațiile de avertizare și instrucțiunile în vederea utilizărilor viitoare.**

## INSTRUCȚIUNI DE SECURITATE

**Purtați aparatoarele de urechi.** Expunerea la zgomot poate produce pierderea auzului.

**Țineți aparatul de mânerul izolat când executați lucrări la care scula tăietoare poate nimeri peste conductorii electrici ascunși sau peste cablul propriu.** Contactul cu un conductor sub tensiune determină punerea sub tensiune a componentelor metalice ale mașinii și duce la electrocutare.

Aparatele utilizate în multe locații diferite inclusiv în aer liber trebuie conectate printr-un disjunctoare care previne comutarea.

Purtați întotdeauna ochelari de protecție atunci când utilizați mașina. Se recomandă purtarea mănușilor, a încălțămintei solide nealunecoase și sortului de protecție.

Rumegușul și spanul nu trebuie îndepărtate în timpul funcționării mașinii.

Întotdeauna scoateți stecarul din priză înainte de a efectua intervenții la mașină.

Conectați la rețea numai când mașina este oprită.

Pastrați cablul de alimentare la o distanță de aria de lucru a mașinii. Întotdeauna țineți cablul în spatele dvs.

## DECLARAȚIE DE CONFORMITATE

Declarăm pe propria răspundere că acest produs este în conformitate cu următoarele standarde sau documente standardizate  
EN 60745-1:2009 + A11:2010  
EN 60745-2-11:2010  
EN 55014-1:2006 + A1:2009 + A2:2011  
EN 55014-2:1997 + A1:2001 + A2:2008  
EN 61000-3-2:2006 + A1:2009 + A2:2009  
EN 61000-3-3:2008  
în conformitate cu reglementările  
2011/65/EU (RoHS)  
2006/42/CE  
2004/108/CE



Winnenden, 2012-09-07

Rainer Kumpf  
Director Product Development

Împuternicit să elaboreze documentația tehnică.

## ALIMENTARE DE LA REȚEA

Conectați numai la priză de curent alternativ monofazat și numai la tensiunea specificată pe placuța indicatoare. Se permite conectarea și la prize fără împământare dacă modelul se conformează clasei II de securitate.

Sub efectul interferențelor magnetice extreme din exterior, variațiile temporare ale vitezei de rotație pot crește în cazuri particulare.

## INTREȚINERE

Fantele de aerisire ale mașinii trebuie să fie menținute libere tot timpul

Utilizați numai accesorii și piese de schimb Milwaukee. Dacă unele din componente care nu au fost descrise trebuie înlocuite, vă rugăm contactați unul din agenții de service Milwaukee (vezi lista noastră pentru service / garanție)

Dacă este necesară, se poate comanda o imagine descompusă a sculei. Vă rugăm menționați numărul art. Precum și tipul mașinii tipărit pe etichetă și comandați desenul la agenții de service locali sau direct la Milwaukee Electric Tool, Max-Eyth-Straße 10, D-71364 Winnenden, Germany.

Întotdeauna utilizați ecranele de protecție ale mașinii.

Nu folosiți lame de ferăstrău crăpate sau deformatate.

Tăieri de adâncime fără efectuare și a unei găuri sunt posibile cu materiale moi (lemn, materiale ușoare de construcție pentru pereți). Materialele mai dure (metale) trebuie întâi să fie perforate cu o gaură care corespunde dimensiunii lamei ferăstrăului.

Praful care apare când se lucrează cu această sculă poate fi dăunător sănătății și prin urmare nu trebuie să atingă corpul. Purtați o mască de protecție corespunzătoare împotriva prafului.

## CONDIȚII DE UTILIZARE SPECIFICE

Acest ferăstrău pendular taie lemn, materiale plastice și metale. El poate tăia linii drepte, oblice, curbe și poate face tăieturi interne.

Nu utilizați acest produs în alt mod decât cel stabilit pentru utilizare normală

## SIMBOLURI



Vă rugăm citiți cu atenție instrucțiunile înainte de pornirea mașinii



Întotdeauna scoateți stecarul din priză înainte de a efectua intervenții la mașină.



Accesoriu - Nu este inclus în echipamentul standard, disponibil ca accesoriu



Nu aruncați scule electrice în gunoii menajer! Conform directivei europene nr. 2002/96/CE referitor la aparate electrice și electronice uzate precum și la transpunerea acesteia în drept național, sculele electrice trebuie colectate separat și introduse într-un circuit de reciclare ecologic.



Clasa de protecție II, scule electrice la care protecția împotriva curentării nu depinde numai de izolația de bază, ci la care se folosesc măsuri de protecție suplimentare precum izolația dublă sau izolația ranforsată.

## ТЕХНИЧКИ ПОДАТОЦИ

|   |                            |
|---|----------------------------|
| Определен внес .....                                  | 710 W                      |
| Излез .....   | 390 W                      |
| Ударен момент при не оптовареност (на слободно) ..... | 500-2800 min <sup>-1</sup> |
| Должина на удар .....                                 | 26 mm                      |
| Дијагонален- кос рез до .....                         | 45°                        |
| Максимална длабочина на сечење во:                    |                            |
| Дрво .....  | 120 mm                     |
| Челик .....   | 10 mm                      |
| Алуминиум .....                                       | 30 mm                      |
| Тежина според ЕПТА-процедурата 01/2003 .....          | 2,3 kg                     |

### Информација за бучавата/вибрациите

Измерените вредности се одредени согласно стандардот EN 60 745.

А-оценетото ниво на бучава на апаратот типично изнесува:

|                               |           |
|-------------------------------|-----------|
| Ниво на јачина на звук .....  | 87 dB (A) |
| Ниво на звучен притисок ..... | 98 dB (A) |

### Носте штитник за уши.

Вкупни вибрациски вредности (векторски збир на трите насоки) пресметани согласно EN 60745.

|                                       |                       |
|---------------------------------------|-----------------------|
| Метали                                |                       |
| Вибрациска емисиона вредност ah ..... | 10,5 m/s <sup>2</sup> |
| Несигурност К .....                   | 1,5 m/s <sup>2</sup>  |
| Дрво                                  |                       |
| Несигурност К .....                   | 10 m/s <sup>2</sup>   |
| Вибрациска емисиона вредност ah ..... | 1,5 m/s <sup>2</sup>  |

## ПРЕДУПРЕДУВАЊЕ

Нивото на осцилација наведено во овие инструкции е измерено во согласност со мерните постапки нормирани во EN 60745 и може да биде употребено за меѓусебна споредба на електро-алати. Ова ниво може да се употреби и за привремена проценка на оптоварувањето на осцилацијата.

Наведеното ниво на осцилација ги репрезентира главните намени на електро-алатот. Но, доколку електро-алатот се употребува за други намени, со отстапувачки додатоци или со несоодветно одржување, нивото на осцилација може да отстапи. Тоа може значително да го зголеми оптоварувањето на осцилацијата за време на целиот работен период.

За прецизна проценка на оптоварувањето на осцилацијата предвид треба да бидат земени и времињата, во коишто апаратот е исклучен или работи, но фактички не се употребува. Тоа може значително да го намали оптоварувањето на осцилацијата за време на целиот работен период.

Утврдете дополнителни безбедносни мерки за заштита на операторот од влијанието на осцилациите, како на пример: одржување на електро-алатот и на додатоци кон електро-алатот, одржување топли раце, организација на работните процеси.

**⚠ ПРЕДУПРЕДУВАЊЕ! Прочитајте ги сите безбедносни упатства и инструкции.** Заборавање на почитувањето на безбедносните упатства и инструкции можат да предизвикаат електричен удар, пожар и/или тешки повреди.

**Сочувајте ги сите безбедносни упатства и инструкции за во иднина.**

## УПАТСТВО ЗА УПОТРЕБА

**Носете штитник за уши.** Изложеноста на бука може да предизвика губење на слухот.

**Држете го електричниот алат за издадените површини при изведување на операции при кои алатот за сечење можат да дојдат во контакт со скриени жици или сопствениот гајтан.** Контакт со жица под напон исто така ќе направи проводници од металните делови и оној кој ракува со алатот ќе доживее струен удар.

Уредите кои се користат на многу различни локации вклучувајќи и отворен простор мора да бидат поврзани за струја преку направата за поврзување (FI, RCD, PRCD).

Секогаш носете ракавици кога ја користите машината. Исто така препорачливо е да се носат очила, цврсти чевли кои не се лизгаат и престилка.

Прашината и струготините не смеат да се одстрануваат додека е машината работи.

Секогаш кога преземате активности врз машината исклучете го кабелот од струјата.

Вклучувањето на кабелот во струја се прави исклучиво машината е исклучена.

Чувајте го кабелот за напојување подалеку од работната површина. Секогаш водете го кабелот позади вас.

Секогаш користете заштитен штит на машината.

Не користете скршени или изобличени сечила.

Убодни резови без претходно дупчење се можни кај меки материјали (дрво, лесни градежни материјали за ѕидови). Кај поцврсти материјали (метали) мора првин да се направи дупка која ќе одговара на димензијата на пилата.

Пршината која се создава при користење на овој алат може да биде штетна по здравјето. Не ја вдишувајте. Носете соодветна заштитна маска.

## СПЕЦИФИЦИРАНИ УСЛОВИ НА УПОТРЕБА

Оваа убодна пила сече дрво, пластика и метал; може да сече прави линии, кривини и внатречни отсечоци.

Не го користете овој производ на било кој друг начин освен пропишаниот за нормална употреба.

## ЕУ-ДЕКЛАРАЦИЈА ЗА СООБРАЗНОСТ

Ние во целосна одговорност изјавуваме дека овој производ е во согласност со следните стандарди и стандардизирани документи.  
EN 60745-1:2009 + A11:2010  
EN 60745-2-11:2010  
EN 55014-1:2006 + A1:2009 + A2:2011  
EN 55014-2:1997 + A1:2001 + A2:2008  
EN 61000-3-2:2006 + A1:2009 + A2:2009  
EN 61000-3-3:2008  
и е во согласност со прописите  
2011/65/EU (RoHS)  
2006/42/EC  
2004/108/EC



Winnenden, 2012-09-07

Rainer Kumpf  
Director Product Development

Ополномоштен за составување на техничката документација.

## ГЛАВНИ ВРСКИ

Да се спои само за една фаза АС коло и само на главниот напон наведен на плочката. Можно е исто така и поврзување на приклучок без заземјување доколку изведбата соодветствува на безбедност од 2 класа.

Во случај на ефект од екстремни електромагнетни пречки од надвор, може да дојде до привремено варирање на брзината на ротација во одредени случаи може да се зголеми.

## ОДРЖУВАЊЕ

Вентилациските отвори на машината мора да бидат комплетно отворени постојано.

Користете само Milwaukee додатоци и резервни делови. Доколку некои од компонентите кои не се опишани треба да бидат заменети, Ве молиме контактирајте ги сервисните агенти на Milwaukee (консултирајте ја листата на адреси).

Доколку е потребно можно е да биде набавен детален приказ на алатот. Ве молиме наведете го бројот на артиклот како и типот на машина кој е отпечатен на етикетата и порачајте ја скицата кај локалниот застапник или директно кај: Milwaukee Electric Tool, Max-Eyth-Straße 10, D-71364 Winnenden, Germany.

## СИМБОЛИ



Ве молиме пред да ја стартувате машината обрнете внимание на упатствата за употреба.



Секогаш пред спроведување на каков и да е зафат врз машината исклучете го кабелот од приклучокот.



Дополнителна опрема - Не е вклучена во стандардната, а достапна е како додаток.



Не ги фрлајте електричните апарати заедно со другиот домашен отпад! Европска регулатива 2002/96/EC за одлагање на електрична и електронска опрема и се применува согласно националните закони. Електричните апарати кои го достигнале крајот на својот животен век мора да бидат одвоено собрани и вратени во соодветна рециклажна установа.



Заштитна класа II, електро-орудие, кај кое што заштитата од електричен удар не зависи само од базичната изолација туку каде што се применуваат и од дополнителни безбедносни мерки, како што е дуплата изолација или засилената изолација.

## 技术数据

|                                    |                            |
|------------------------------------|----------------------------|
| 输入功率.....                          | 710 W                      |
| 输出功率.....                          | 390 W                      |
| 无负载跳跃次数.....                       | 500-2800 min <sup>-1</sup> |
| 跳跃高度.....                          | 26 mm                      |
| 斜割至.....                           | 45°                        |
| 最大切深在:                             |                            |
| 木材.....                            | 120 mm                     |
| 钢.....                             | 10 mm                      |
| 铝.....                             | 30 mm                      |
| 重量符合EPTA – Procedure01 / 2003..... | 2,3 kg                     |

## 噪音/振动信息

本测量值符合 EN 60 745 条文的规定。

器械的标准A-值噪音级为：

|                        |           |
|------------------------|-----------|
| 音压值 (K = 3 dB(A))..... | 87 dB (A) |
| 音量值 (K = 3 dB(A))..... | 98 dB (A) |

请戴上护耳罩！

依欧盟EN 60745 标准确定的振荡总值（三方向矢量和）。

木材锯开

|                           |                       |
|---------------------------|-----------------------|
| a <sub>w</sub> 振荡发射值..... | 10,5 m/s <sup>2</sup> |
| K 不可靠性.....               | 1,5 m/s <sup>2</sup>  |

金属薄板锯开

|                           |                      |
|---------------------------|----------------------|
| a <sub>w</sub> 振荡发射值..... | 10 m/s <sup>2</sup>  |
| K 不可靠性.....               | 1,5 m/s <sup>2</sup> |

## 注意

本规程列出的依欧盟EN 60745 标准一项标准测量方法测量的振荡级也可用于电动工具比较并适合于临时振荡负荷估计。

该振荡级代表电动工具的主要应用。电动工具的其他应用，不正确的工作工具或欠缺维护可造成振荡级偏差。此可明确提高总工作期间的振荡负荷。

正确地估计一定工作期间的振荡负荷也要考虑到工具关闭或接通而不使用的期间。此可明确减少总工作期间的振荡负荷。

为提高操作人员对振荡作用的保护得规定补充安全措施：电动工具及工作工具的维护，温手，工作过程组织等。

**△ 注意！** 务必仔细阅读所有安全说明和安全指示（应注意阅读附上的小册子）。如未确实 遵循警告提示和指示，可能导致电击、火灾并且/ 或其他的严重伤害。

妥善保存所有的警告提示和指示，以便日后查阅。

## 特殊安全指示

请戴上耳罩。工作噪音会损坏听力。

切割工具会碰到隐藏电线或自己的电缆时，得将器械握住于其绝缘把手表面。

锯片接触了带电的电线，会把电导向其它金属部位，并引起电击。

户外插座必须连接剩余电流防护开关。这是使用电器用品的基本规定。使用本公司机器时，务必遵守这项规定。

操作机器时务必佩戴护目镜。最好也穿戴工作手套、坚固防滑的鞋具和工作围裙。

如果机器仍在运转，切勿清除其上的木屑或金属碎片。

在机器上进行任何修护工作之前，务必从插座上拔出插头。

确定机器已经关闭了才可以插上插头。

电源线必须远离机器的作业范围。操作机器时电线必须摆在机身后端。

务必使用机器的安全保护设备。

不可以使用有裂痕或已经变形的锯刀。

潜锯专用电锯只能割割软的材料（例如木材和用来砌墙的轻建材）。如果使用本机器割割硬的材料（例如钢铁），必须先在工作件上钻一个和锯片宽度相当的孔。

工作尘往往有害健康，不可以让工作尘接触身体。工作时请佩戴合适的防尘面具。

## 正确地使用机器

可以使用本曲线锯割锯木材、塑料和金属。本机器可进行直线割锯、斜线割锯、曲线割锯并且也能够挖锯。

请依照本说明书的指示使用此机器。

## 电源插头

只能连接单相交流电，只能连接机器铭牌上规定的电压。本机器也可以连接在没有接地装置的插座上，因为本机器的结构符合第II 级绝缘。

在强烈的外来磁性干扰下，可能会造成短暂性的转速不稳定状况。

## 维修

机器的通气孔必须随时保持清洁。

只能使用 Milwaukee 的配件和零件。缺少检修说明的机件如果损坏了，必须交给 Milwaukee 的顾客服务中心更换（参考手册“保证书 / 顾客服务中心地址”）。

如果需要机器的分解图，可以向您的顾客服务中心或直接向 Milwaukee Electric Tool, Max-Eyth-Straße 10, D-71364 Winnenden, Germany, Germany。案件时必须提供以下资料： 机型和机器铭牌上的十位数字码。

## 符号



使用本机器之前请仔细阅读使用说明书。



在机器上进行任何修护工作之前，务必从插座上拔出插头。



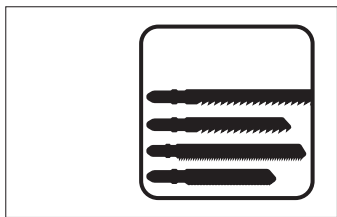
配件 - 不包含在供货范围中。请另外从配件目录选购。



不可以把损坏的电动工具丢弃在家庭垃圾中！根据被欧盟各国引用的有关旧电子机器的欧洲法规2002/96/EG，必须另外收集旧电子机器，并以符合环保规定的方式回收再利用。



保护等级II，具有不只依赖于基本绝缘，但依赖于双重或强化绝缘等保护措施电击保护的电动工具。



|    |     |          |    |      |      |       |       |       |  |  |       |                                  |         |
|----|-----|----------|----|------|------|-------|-------|-------|--|--|-------|----------------------------------|---------|
|    |     |          |    |      |      |       |       |       |  |  |       | <b>4932...</b><br><b>Id.-No.</b> |         |
|    |     | <b>i</b> |    |      |      |       |       |       |  |  |       |                                  |         |
| 75 | 3   | A        | II | < 60 |      |       |       |       |  |  | <60   |                                  | 3672 38 |
| 75 | 4   | D        | II | < 60 | < 60 |       |       |       |  |  |       |                                  | 3672 39 |
| 75 | 4   | C        | I  | < 60 | < 60 |       |       |       |  |  | < 60  |                                  | 3672 41 |
| 75 | 2,5 | C        | I  | < 30 | < 30 |       |       |       |  |  | < 30  |                                  | 3672 40 |
| 55 | 1,2 | B        | I  |      |      | 1,5-4 | 1,5-4 | 1,5-4 |  |  | 1,5-3 |                                  | 3672 42 |
| 55 | 2   | B        | I  |      |      | 3-6   | 3-10  | 3-10  |  |  |       |                                  | 3672 43 |

| A  | B                                       | C  | D  | I   | II   | III   |
|--|---|--|--|---|--|---|
|  |   |  |  |   |  |   |
| set<br>geschränkt<br>biseauté<br>levigato<br>afitada | wavy<br>gewellt<br>ondulato<br>ondulada | tapered, ground<br>konisch geschliffen<br>conique, biseauté<br>cónico, levigato<br>cónica, afitada | set, ground<br>geschränkt, geschliffen<br>biseauté, croise<br>levigato, alliciato<br>afitada, triscada | <b>1a</b><br>clean cutting<br>sauberer Schnitt<br>coupe propre<br>taglio pulito<br>corte limpio | <b>QUICK</b><br>fast cutting<br>schneller Schnitt<br>coupe rapide<br>taglio veloce<br>corte rápido | <b>III</b><br>curve cutting<br>Kurvenschnitt<br>coupe curviligne<br>taglio curvo<br>corte de curvas |





Copyright 2012  
Milwaukee Electric Tool  
Max-Eyth-Straße 10  
D-71364 Winnenden  
Germany  
+49 (0) 7195-12-0

