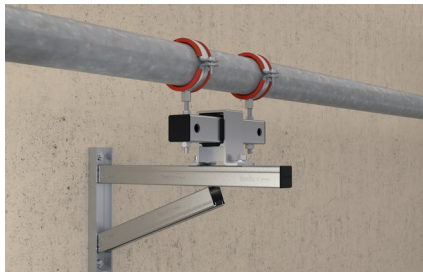


Silicone pipe clamp FRSH

The two-screw pipe clamp with a sound insulation insert with resistance to high temperatures

2a



Sliding element on cantilever

Applications

- Fixing of high-temperature pipelines with threaded rods or stud screws (e.g. steam pipes)

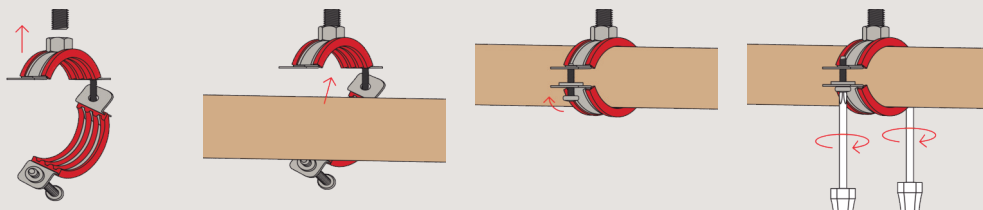
Advantages/benefits

- The special silicone sound insulation insert allows a use with average temperatures of up to +220 °C.
- The two screws enable an easy adjustment to suit the outer pipe diameter.
- The screw's safety feature ensures trouble-free installation.

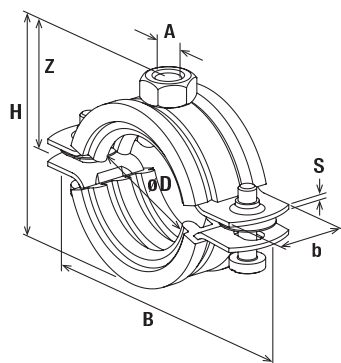
Properties

- Material: steel DD11 (material no. 1.0332) acc. to DIN EN 10111
- Zinc plating: electro zinc-plated, 5 - 9 µm
- Connecting nut: (up to FRSH 59 - 63) resistance welded, M8 and M8 / M10 SW 13, M10 SW 17
- Locking screw: flat head screw with combination recessed head
- Material sound insulation insert: silicone
- Sound insulation: for DIN 4109
- Temperature range: -40 °C to +220 °C
- Hardness: 60 ± 5° Shore A
- Fire behaviour: DIN 4102: Class B2

Installation FRSH



Technical data



FRSH

Item	Item No.	Thread	Size	Clamping range	Width	Height	Width x thickness clamp band	Height Z	Locking screw	Max. recom. static load (centr. tension)	Sales unit
		A	[inch]	D [mm]	B [mm]	H [mm]	b x s [mm]	Z [mm]	N _{recom.} [kN]	[pcs]	
FRSH 15 - 19	063490	M 8	3/8"	15 - 19	62	41	20 x 1.25	24	M 5	1.00	100
FRSH 20 - 24	063492	M 8	1/2"	20 - 24	68	46	20 x 1.25	26	M 5	1.00	100
FRSH 25 - 30	063494	M 8	3/4"	25 - 30	75	52	20 x 1.25	29	M 5	1.00	100
FRSH 32 - 37	063495	M 8	1"	32 - 37	80	59	20 x 1.25	33	M 5	1.00	100
FRSH 40 - 45	063498	M 8	1 1/4"	40 - 45	90	67	20 x 1.25	37	M 5	1.00	50
FRSH 48 - 53	063499	M 8	1 1/2"	48 - 53	97	75	20 x 1.25	41	M 5	1.00	50
FRSH 54 - 59	063500	M 8	—	54 - 59	104	81	20 x 1.25	44	M 5	1.00	50
FRSH 60 - 64	063502	M 8	2"	60 - 64	110	86	20 x 1.25	46	M 5	1.00	50
FRSH 68 - 73	063504	M 10	—	68 - 73	122	95	25 x 1,5	51	M 6	1.30	25
FRSH 74 - 78	063505	M 10	2 1/2"	74 - 78	130	100	25 x 1,5	55	M 6	1.30	25
FRSH 80 - 86	063511	M 10	—	80 - 86	130	108	25 x 1,5	58	M 6	1.30	25
FRSH 87 - 92	063513	M 10	3"	87 - 92	141	114	25 x 1,5	61	M 6	1.30	25
FRSH 95 - 103	063518	M 10	—	95 - 103	156	125	25 x 1,5	67	M 6	1.30	25
FRSH 102 - 116	063520	M 10	4"	102 - 116	172	140	25 x 2,0	74	M 6	2.00	20
FRSH 133 - 141	063537	M 8 / M 10	5"	133 - 141	198	174	25 x 2.5	95	M 8	2.00	10
FRSH 159 - 168	091507	M 8 / M 10	—	159 - 168	226	201	25 x 2.5	109	M 8	2.00	8