



The new EasyDeck®
terrace system

www.easydeck.de

EasyDeck®
Made in Germany

All hands on deck!

A special interplay of colours on the EasyDeck® DOLOMIT

DOLOMIT 16 x 193 mm, structured, grey

DOLOMIT 16 x 193 mm, structured, brown



EasyDeck® DOLOMIT



The EasyDeck® DOLOMIT terrace floorboard manages to impress with its unparalleled interplay of colour. The proportions between the floorboard measuring 193 mm in width and the narrow 5 mm gap ensure that the entire terrace becomes a harmonious unit. With a wood fibre percentage of up to 75%, the wood material is not only emphasised; it can also be experienced. Available in brown and grey, the DOLOMIT is sure to fit seamlessly into your garden.

Waves of excitement

Oscillating structures on the EasyDeck® GLACIER

GLACIER 16 x 193 mm, structured, graphite

GLACIER 16 x 193 mm, structured, terra brown



EasyDeck® GLACIER



The EasyDeck® GLACIER floorboard boasts a special surface with dynamically-oscillating structures. The soft waves give this floorboard its pronounced wooden character. Naturally, we provide structure with a random factor to ensure that no two boards look alike. The floorboard measuring 193 mm in width is available in terra brown and graphite.

Recommended by architects

The floorboard with grooves: The EasyDeck® TREND

TREND 19 x 130 mm, finely-riffled, terra brown

TREND 19 x 130 mm, finely-riffled, graphite



EasyDeck® TREND



Architects, designers and developers all agree: This floorboard goes with everything! Whether a cubist city villa, a classicist balcony or a Mediterranean garden, this floorboard is always suitable! The grooved or riffled structure of the TREND floorboard ideally unites depth and width. Calculated according to the rules of the golden ratio, it is both functional and emotional. Available in two widths and in two colours: Terra brown and graphite.

EasyDeck® floorboards

// DOLOMIT

Floorboard 16 x 193 mm

Surface: Structured, polished

Colours: Brown and grey

Lengths: 300 cm and 400 cm

Gap width: 5 mm (±0.5 mm)



// GLACIER

Floorboard 16 x 193 mm

Surfaces: Structured and finely-rifflé

Colours: Terra brown and graphite

Lengths: 300 cm and 400 cm

Gap width: 8 mm (±0.5 mm)



// TREND

Floorboard 16 x 163 mm

Surfaces: Finely-rifflé and grooved

Colours: Terra brown and graphite

Lengths: 300 cm and 400 cm

Gap width: 8 mm (±0.5 mm)



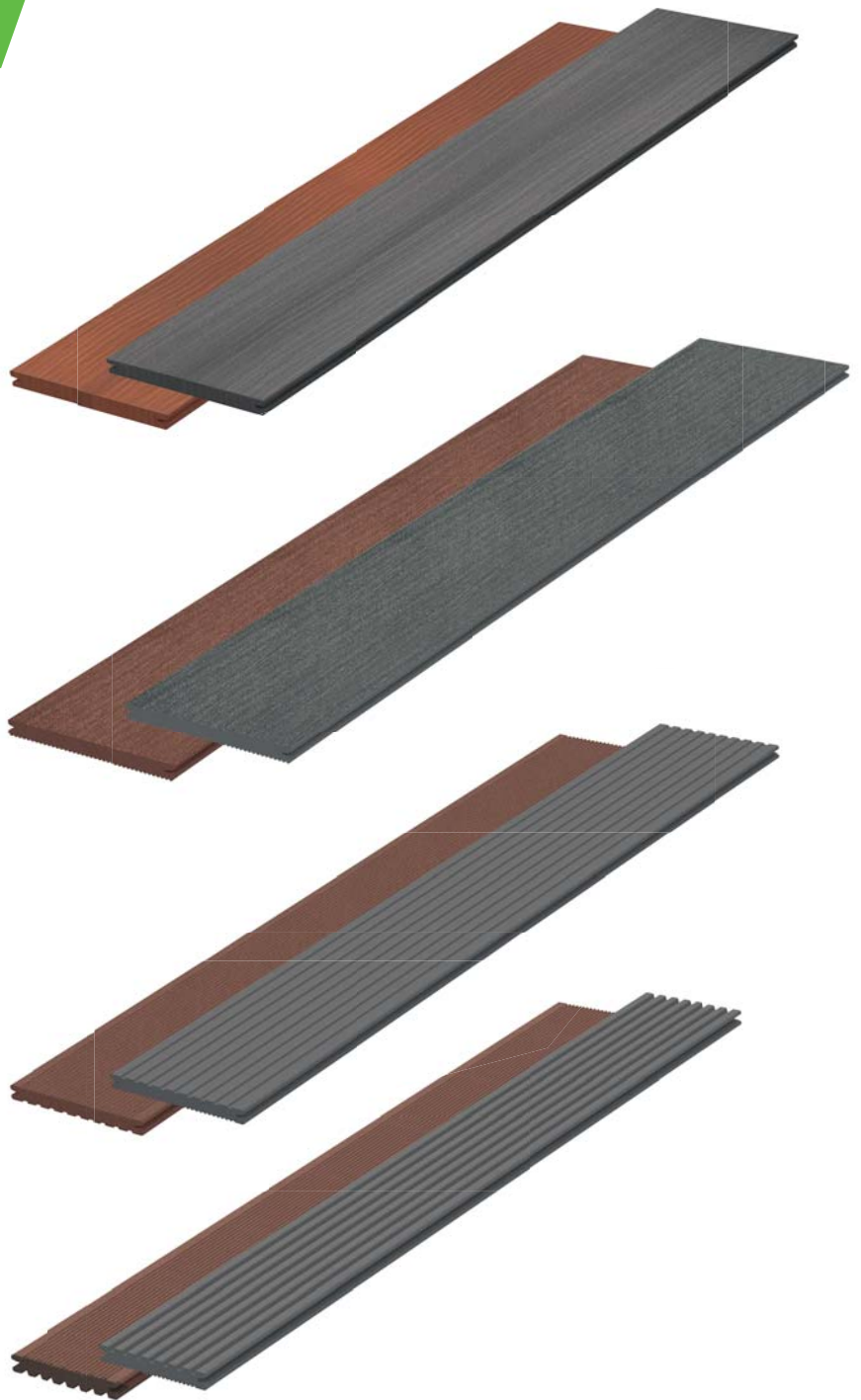
Floorboard 19 x 130 mm

Surfaces: Smooth and grooved

Colours: Terra brown and graphite

Lengths: 300 cm and 400 cm

Gap width: 8 mm (±0.5 mm)



EasyDeck® colours



Terra
brown



Graphite



Brown



Grey

- // All wood comes from sustainable forests
- // No PVC
- // Extremely resistant against fungi and insects
- // High level of surface hardness
- // Non-slip brushed surface
- // No risk of injury caused by splinters
- // Imbued
- // Colour-resistant — no greying caused by UV-radiation
- // Solid floorboard — no hollow section
- // Unbelievably thin — astoundingly resilient

The new EasyDeck® range unites an attractive design, warm natural tones, the advantages of GCC with an intelligent sub-construction system to create a sustainable and durable terrace deck. GCC-German Compact Composite is a PVC-free **wood material manufactured in Germany**. Environmentally-friendly binding agents and additives are combined with wood fibres in a patented production process. GCC is even approved for the manufacture of children's toys. Thanks to the high percentage of natural fibres (up to 75%), GCC manages to achieve a remarkable surface hardness and a low thermal expansion.

Laying direction

Lay all of the floorboards in the same direction in order to obtain a homogenous surface effect. This is shown by an arrow in each of the floorboard grooves. Mix the floorboards before laying them. This ensures that the slight colour deviations on the floorboards emphasise the wood look.

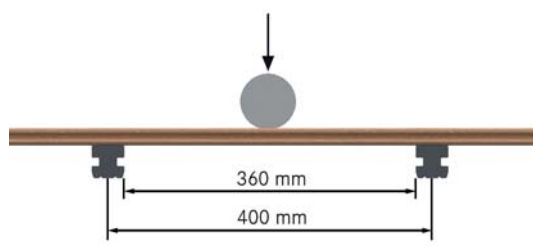


Technical information

Mechanical characteristics of the floorboards

Three-point bending

Support clearance: 360 mm
 Test speed: 20 mm/min
 Breaking load: 3,200N*



* 3,200 N corresponds to ≈ 320kg/board at a sub-construction centre to centre distance of 40 cm.

Production-related dimension tolerances of the EasyDeck® floorboards.

	Specification	Tolerance field
Profile length	300 cm, 400 cm	± 0.0 / + 20.0 mm
Profile width	130 mm, 193 mm	- 2.0 / + 1.0 mm
Profile thickness	16 mm, 19 mm	- 1.0 / + 1.0 mm

Permitted dimensions changes following water absorption in the event of exposure to outdoor weathering and construction executed in accordance with the construction manual.

Dimension	Measuring point	Permitted dimension change Guaranteed values	Comment	
Length	Maximum value	Board length 300 cm	≤ 9.0 mm	Minimum 2 cm distance to fixed components
		Board length 400 cm	≤ 12.0 mm	
Width	Centre board	≤ 2 mm	7.0 mm distance present via clamp	
Thickness	Centre board	≤ 1.5 mm		

Colour development

* Example illustrations of the natural colour maturation



EasyDeck® ConStep

We offer you simple handling and fast laying with the new EasyDeck® ConStep system. Time-consuming preparation work tasks such as pre-drilling in concrete are now a thing of the past. Thanks to the low weight of the system components and the variable height adjustment, it is easy to implement special construction designs such as roof terraces. The connecting strip also offers the advantage of being able to lay terraces larger than 12 x 12 m without the need for an expansion joint.

Article overview



ConStep
mounting plate



ConStep
double mount



ConStep
single mount



ConStep
assembly clip



Perforated
tape



Construction beams



Connecting clip



Locking clamp
(two-part)



Edge clamp
(two-part)



Clip & edge clip
incl. screws



Fastening screw
for connection profile
10 pcs. / pack



ConStep rubber pad
300 x 200 x 10 mm
x 5 mm
x 3 mm



Rubber pad
100 x 60 x 20 mm
x 10 mm
x 3 mm



Fastening screw
for sub-construction
7.5 x 92 mm



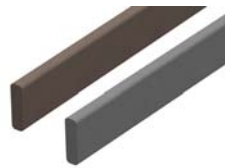
Self-adhesive
retaining band



Groove bridge



Connection profile
planed, polished
brown, grey
17 x 60 mm

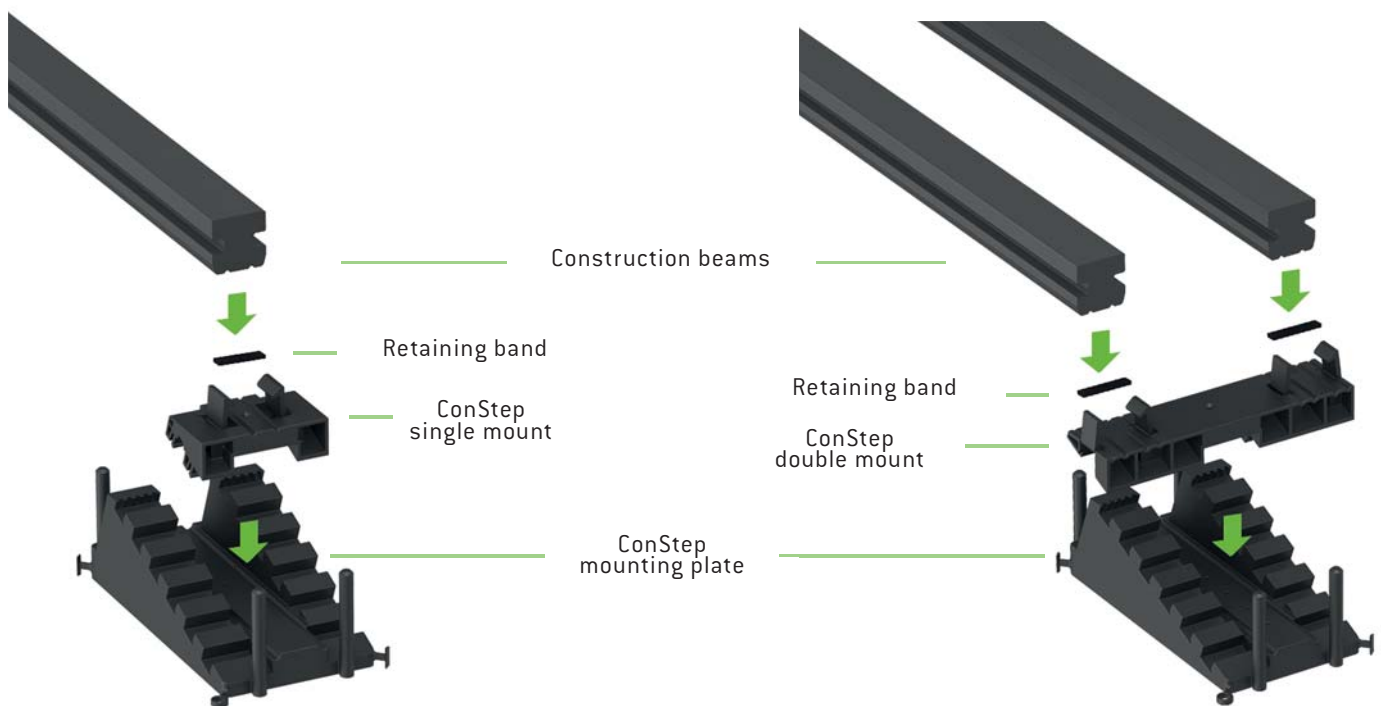


Connection profile
terra brown, graphite
17 x 60 mm

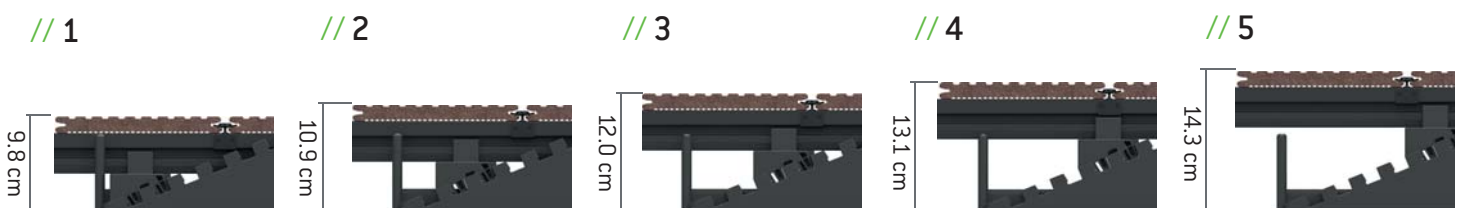
Planning principles for all construction designs

Avoid contact between the construction elements and the ground. Ensure that the subsoil is firm and has a good bearing capacity. Only use EasyDeck® construction beams. In principle, pre-drill all holes in such a manner that the part to be fixed is 2 mm larger than the screw diameter and the retaining drill hole is 1 mm smaller than the screw diameter. Observe the minimum clearances of the expansion joints so that the construction can expand without force if necessary. Do not lash down or brace the terrace during construction. The distance between the floorboard and all fixed components must be 2 cm. Ensure a sufficient amount of ventilation from underneath by observing the gaps. Do not fill the cavities between the gravel formation and the sub-construction elements. The maximum floorboard protrusion over the last sub-construction may not exceed 5 cm. Production-related dimension tolerances regarding length, width and thickness are to be taken into account during assembly. All dimensions must be examined on the construction.

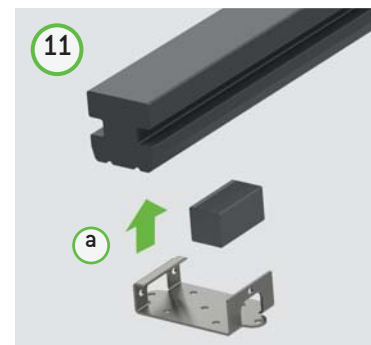
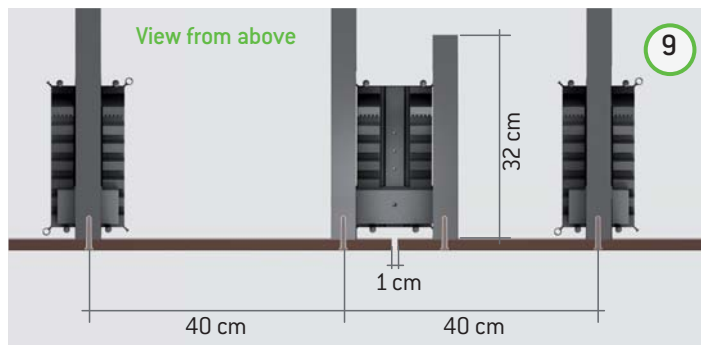
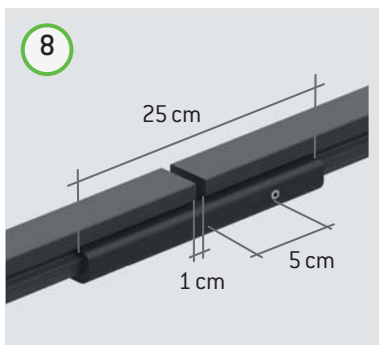
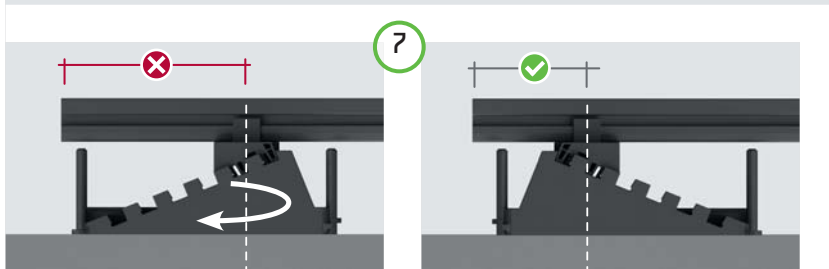
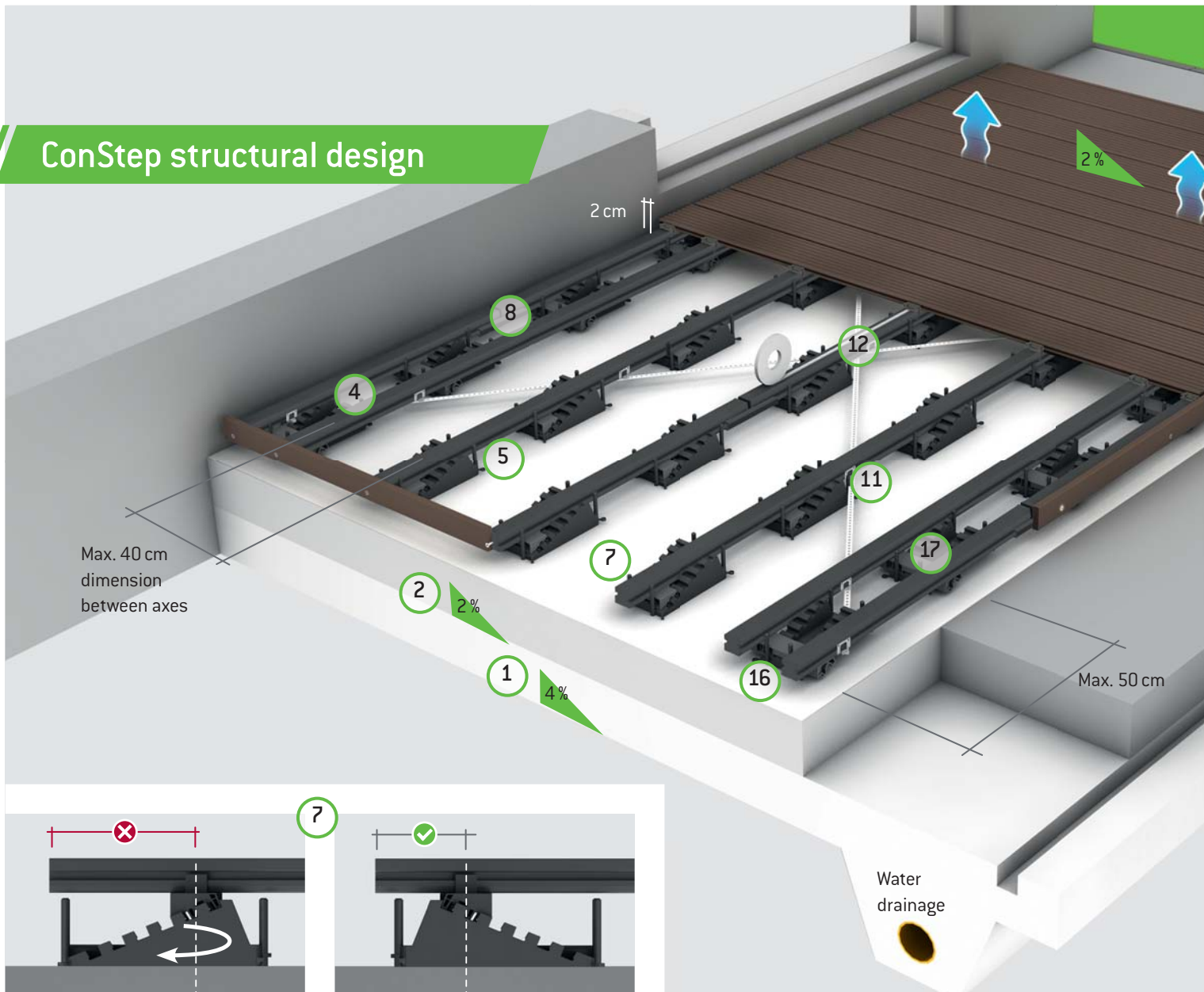
ConStep – Structural design



Min. installation heights

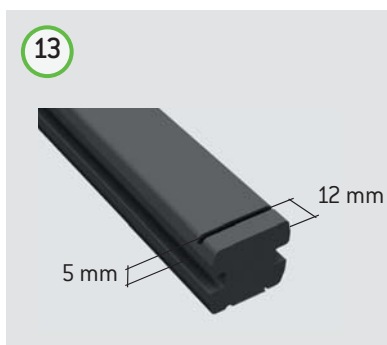
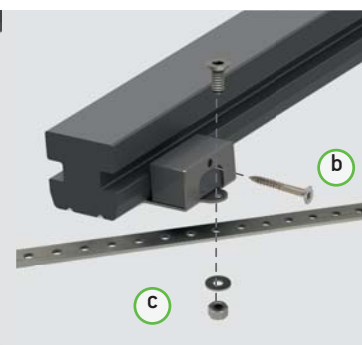
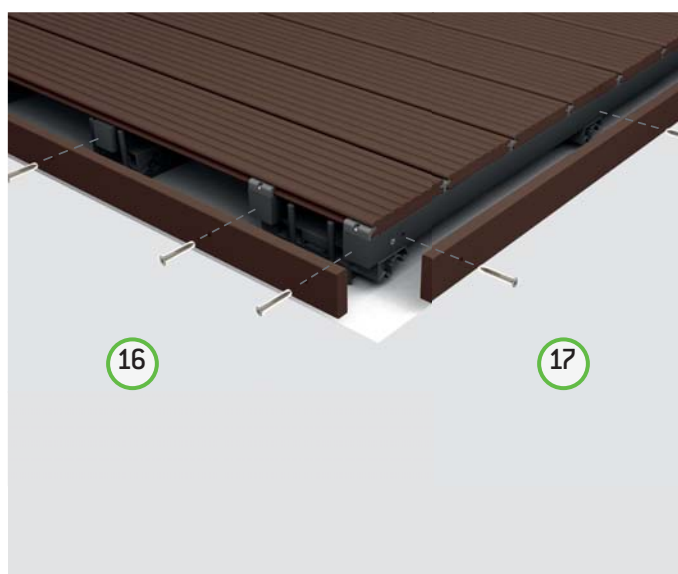
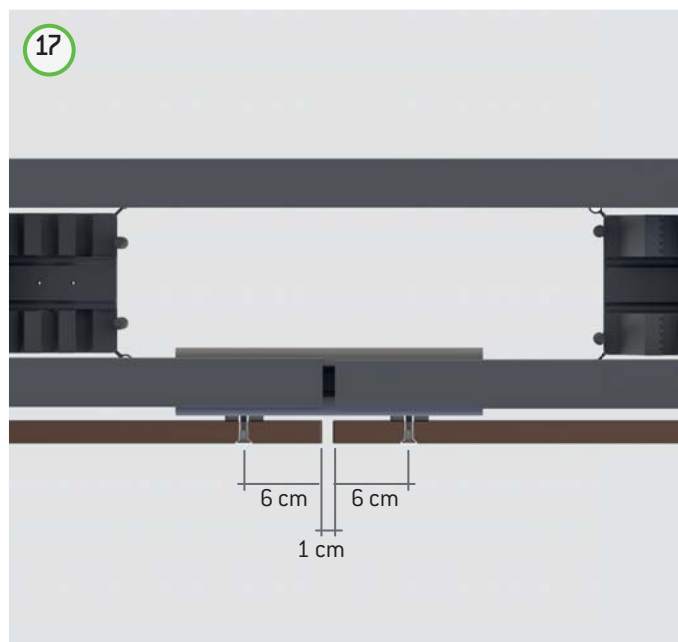
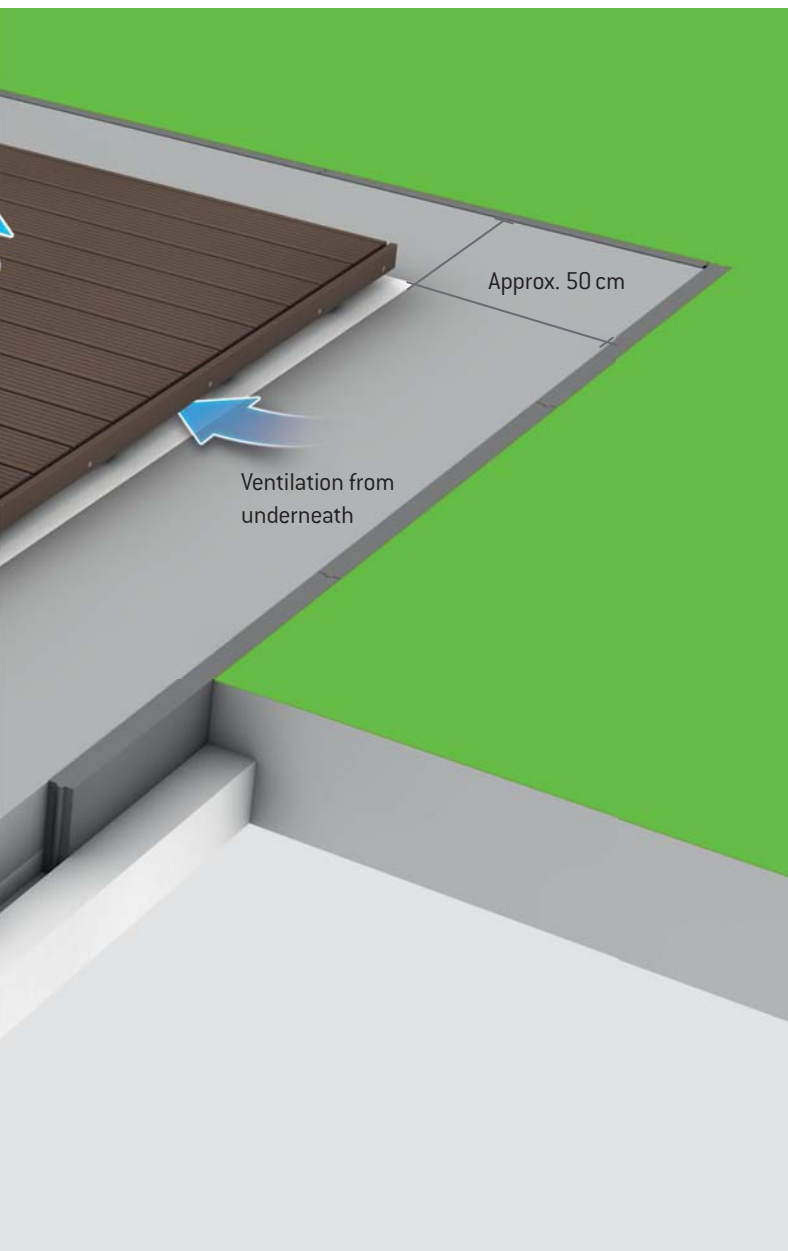


ConStep structural design



PREPARATION

1. Establish a ballast bed (including drainage) that is circumferentially larger than the terrace by 50 cm with a 4% gradient.
2. Create a ballast bed using crushed stone with a 2% gradient.
3. In all ConStep mounting plates, click all single and double mounts at the same height and centrally adhere into place using a piece of retaining band.
4. Position a ConStep panel with a double mount at a distance of 8 cm to the house wall and with a maximum 50 cm centre distance to the next ConStep panel with double mount.
5. Position the ConStep panel with single mount at a maximum 40 cm centre distance to the next row.
6. Conclude the end of the terrace with a ConStep double mount. Click the sub-construction into place.
7. Minimise protrusions. In order to do so, rotate the ConStep panel where necessary.
8. In the event of terrace sizes with a construction beam length > 3 m: Saw the ConStep connecting strip to a length of 25 cm, screw on one side and, in doing so, observe the beam expansion gap of 1 cm.
9. In the event of terrace sizes with a floorboard length > 3 m: The later assembly of the connection profile to the side butt joint of the ConStep double mount must be positioned as illustrated.
10. Check the distances of the entire sub-construction, compensate for unevenness and gradient inaccuracies using crushed stone.



11. In a crosswise manner, reinforce the entire sub-construction with perforated tape via the ConStep assembly clip.
12. When laying the floorboard, equip the top of the central construction beam with retaining band to prevent slipping.

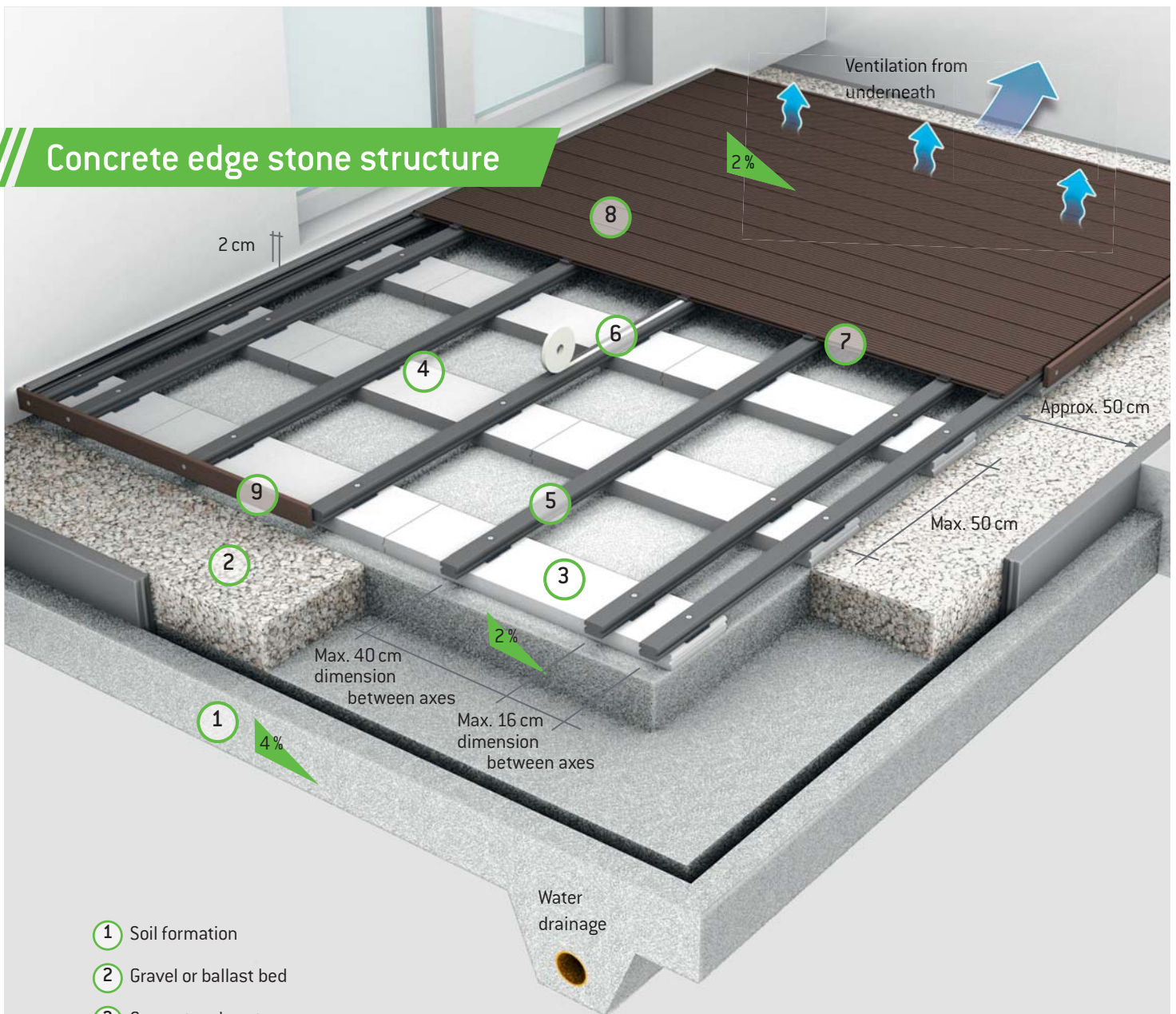
ASSEMBLY OF THE FLOORBOARDS

13. At a distance of 12 mm from the edge, saw a 5 mm deep and 2 mm wide cut into the construction beams on the side on which the floorboards shall be laid. Position the edge clamp into this groove and, using pliers, fasten together with the construction beam and push the floorboard into the edge clamp.
14. Position the joined locking clamp on to the construction beam, push against the floorboard and lock using pliers. Using the supplied screw, lock the locking

clamp on to the construction beam in every third row of floorboards.

15. After the penultimate floorboard, determine the required width for the last floorboard and saw the construction beams flush. In doing so, note that the floorboard protrusion should measure 1.5 cm.
16. On the frontal side, pre-drill the connection profile in the direction of the construction beam and screw into place. Proceed as illustrated in Step 9 when dealing with butt joints.
17. Assemble the connection profile parallel to the construction beam using a fastening screw. The screw connection must be located no further than 6 cm from the ends of the floorboards and at intervals no greater than 50 cm. The connection profile butt joint assumes the sub-construction connection profile.

Concrete edge stone structure



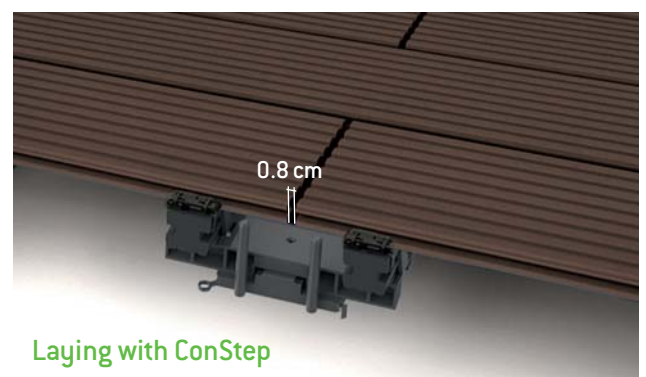
- 1 Soil formation
- 2 Gravel or ballast bed
- 3 Concrete edge stone
- 4 Rubber pad
- 5 Construction beam
- 6 Retaining band
- 7 Securing clamp
- 8 Floorboard
- 9 Connection profile

The sub-construction can also be constructed on concrete edge stone or borders provided that the construction beam centre distances as illustrated in the instructions are observed. In doing so, please note that the construction beams at the start, middle and end of the floorboard as well as the side support points of the construction beams must be anchored to the concrete slabs.

In accordance with constructive wood preservation principles, we recommend always laying with a gradient of at least 2% in the direction of the floorboard in order to ensure that the water can be guided away from the house. Observing this recommendation prevents water stains and waterlogging as well as further damage to the building.

Herringbone pattern

Min. frontal side distance of the floorboards of 0.8 cm.
Use a construction beam at the start and end of the floorboard respectively.



Laying with ConStep



TREND 16 x 163 mm, grooved, graphite

Online planner

The terrace planner is the tool before the tool. Create your new terrace on the computer and generate material lists, laying plans for the sub-construction as well as for the floorboards. Try it out: www.easydeck.de/planer. You can discover where EasyDeck® as well as the accessories can be purchased at www.easydeck.de/haendler.



TREND 16 x 163 mm, grooved, graphite



Imprint

Publisher: NOVO-TECH TRADING GmbH & Co. KG
Siemensstraße 31, 06449 Aschersleben, Germany
Conception/design/layout: toolboxx-media, Magdeburg
Picture credits: Christian Wolf
Subject to change. Colours and graphics may differ
due to printing processes.

Your dealer