

RYOBI®

RBV3000CESV-01

ORIGINAL INSTRUCTIONS
TRADUCTION DES INSTRUCTIONS ORIGINALES
ÜBERSETZUNG DER ORIGINALANLEITUNG
TRADUCCIÓN DE LAS INSTRUCCIONES ORIGINALES
TRADUZIONE DELLE ISTRUZIONI ORIGINALI
VERTALING VAN DE ORIGINELE INSTRUCTIES
TRADUÇÃO DAS INSTRUÇÕES ORIGINAIS
OVERSÆTTELSE AF DE ORIGINALE INSTRUKTIONER
ÖVERSÄTTNING AV DE URSPRUNGLIGA INSTRUKTIONERNA
ALKUPERÄISTEN OHJEIDEN SUOMENNO
OVERSETTELSE AV DE ORIGINALE INSTRUKSJONENE
ПЕРЕВОД ОРИГИНАЛЬНЫХ ИНСТРУКЦИЙ
TŁUMACZENIE INSTRUKCJI ORYGINALNEJ
PŘEKLAD ORIGINÁLNÍCH POKYNŮ
AZ EREDETI ÚTMUTATÓ FORDÍTÁSA
TRADUCEREA INSTRUCȚIUNILOR ORIGINALE
TULKOTS NO ORIĢINĀLĀS INSTRUKCIJAS
ORIGINALIŲ INSTRUKCIJŲ VERTIMAS
ORIGINAALJUHENDI TÕLGE
PRIJEVOD ORIGINALNIH UPUTA
PREVOD ORIGINALNIH NAVODIL
PREKLAD ORIGINÁLNYCH POKYNOV
ПРЕВОД ОТ ОРИГИНАЛНИТЕ ИНСТРУКЦИИ
ПЕРЕКЛАД ОРИГИНАЛЬНИХ ІНСТРУКЦІЙ
ORIJINAL TALĪMATLAR



EN
FR
DE
ES
IT
NL
PT
DA
SV
FI
NO
RU
PL
CS
HU
RO
LV
LT
ET
HR
SL
SK
BG
UK
TR





- Important!** It is essential that you read the instructions in this manual before assembling, maintaining and operating the product.
- Attention!** Il est essentiel que vous lisiez les instructions contenues dans ce manuel avant d'assembler, d'entretenir et d'utiliser le produit.
- Achtung!** Es ist wichtig, dass Sie vor Zusammenbau, Wartung und Benutzung des Produktes die Anweisungen in dieser Anleitung lesen.
- ¡Atención!** Resulta fundamental que lea este manual de instrucciones antes de realizar el montaje, el mantenimiento y de utilizar este producto
- Attenzione!** È importante leggere le istruzioni contenute nel presente manuale prima di montare il prodotto, svolgere le operazioni di manutenzione sullo stesso e metterlo in funzione.
- Let op!** Het is van essentieel belang dat u de instructies in deze gebruiksaanwijzing leest voor u het product monteert, onderhoudt en gebruikt.
- Atenção!** É fundamental que leia as instruções deste manual antes da montagem, manutenção e operação do aparelho.
- OBS!** Det er vigtigt, at man læser instrukserne i denne brugsanvisning, inden man samler, vedligeholder og betjener produktet.
- Observera!** Det är viktigt att du läser instruktionerna i manualen före montering, användning och underhåll av produkten.
- Huomio!** On tärkeää, että luet tämän käsikirjan ohjeet ennen tuotteen kokoamista, huoltoa ja käyttöä.
- Advarsel!** Det er viktig at du leser instruksjonene i denne manualen før sammensetning, vedlikehold og bruk av produktet
- Внимание!** Необходимо прочитать инструкции в данном руководстве перед сборкой, обслуживанием и эксплуатацией этого изделия.
- Uwaga!** Koniecznie należy przeczytać instrukcje zawarte w tym podręczniku przed montażem, obsługą oraz konserwacją produktu.
- Důležité upozornění!** Neinstalujte, neprovádějte údržbu ani nepoužívejte tento výrobek dříve, než si přečtete pokyny uvedené v tomto návodu.
- Figyelem!** Fontos, hogy a termék összeszerelése, karbantartása és használatá elött elolvassa a kézikönyvben található utasításokat.
- Atenție!** Este esențial să citiți instrucțiunile din acest manual înainte de asamblare, efectuarea întreinerii și operarea produsului.
- Uzmanību!** Ir svarīgi izlasīt šīs rokasgrāmatas instrukcijas pirms uzstādīšanas, apkopes un precas darbināšanas.
- Dėmesio!** Prieš surenkant, prižiūrint ir naudojam gaminį, būtina perskaityti šiam vadove pateiktus nurodymus.
- Tähtis!** Enne masina kokkupanekut, hooldamist ja kasutama hakkamist tuleb käesolevas juhendis esitatud juhised kindlasti läbi lugeda.
- Upozorenje!** Vrlo je važno da ste prije sklapanja, održavanja i rada s ovim proizvodom pročitali upute u ovom priručniku.
- Pomembno!** Pomembno je da pred montažo vzdrževanjem in uporabo tega izdelka preberete navodila v tem priročniku.
- Upozornenie!** Je dôležité, aby ste si pred montážou, údržbou a obsluhou produktu prečítali pokyny v tomto návode.
- Важно!** Исключительно важно е да прочетете инструкциите в настоящото ръководство, преди да преминете към сглобяване, поддръжка или работа с продукта.
- Важливо!** Дуже важливо, щоб ви прочитали інструкції в цьому керівництві перед складанням, обслуговуванням та експлуатацією цієї машини.
- Önemli!** Ürünü monte etmeden, kullanmadan ve bakımını yapmadan önce bu kılavuzdaki talimatları okumanız önemlidir.

Subject to technical modification | Sous réserve de modifications techniques | Technische Änderungen vorbehalten | Bajo reserva de modificaciones técnicas | Con riserva di eventuali modifiche tecniche | Technische wijzigingen voorbehouden | Com reserva de modificações técnicas | Med forbehold for tekniske ændringer | Med förbehåll för tekniska ändringar | Tekniset muutokset varataan | Med forbehold om tekniske endringer | могут быть внесены технические изменения | Z zastrzeżeniem modyfikacji technicznych | Změny technických údajů vyhrazeny | A műszaki módosítás jogát fenntartjuk | Sub rezerva modificațiilor tehnice | Paturam tiesības mainīt tehniskos raksturlielumus | Pasiliekiant teisę daryti techninius pakeitimus | Tehnilised muudatused võimalikud | Podloženo tehničkim promjenama | Tehnične spremembe dopuščene | Právo na technické zmeny je vyhradené | Подлежи на технически модификации | Є об'єктом для технічних змін | Teknik değişikliğe tabidir.



Safety, performance, and dependability have been given top priority in the design of your electric blower/vacuum.

INTENDED USE

The product is only intended for use outdoors. This product is not intended to be used by children or persons with reduced physical, mental, or sensory capabilities.

The product is intended for blowing light debris including leaves, grass, and other garden refuse. It is intended to vacuum and lightly mulch debris and deposit it into the collection bag. It is not designed to suck or vacuum water or other liquid.

⚠ WARNING

When using the product, the safety rules must be followed. For your own safety and that of bystanders, you must read and fully understand these instructions before operating the product. Please keep these instructions safe for later use.

⚠ WARNING

This product is not intended to be used by children or persons with reduced physical, mental, or sensory capabilities. Children should be adequately supervised to ensure they do not play with the product.

GENERAL SAFETY WARNINGS

TRAINING

- Read the instructions carefully. Be familiar with the controls and the correct use of the product.
- Never allow children, persons with reduced physical, sensory or mental capabilities or lack of experience and knowledge, or people unfamiliar with these instructions to use the product. Local regulations may restrict the age of the operator.
- Keep in mind, that the operator or user is responsible for accidents or hazards occurring to other people or their property.
- Keep bystanders, children and pets 15 m away from the area of operation. Stop the product if anyone enters the area.
- Never use the product when you are tired,

ill or under the influence of alcohol, drugs or medicine.

ELECTRICAL SAFETY

- Power plugs must match the outlet. Never modify the plug in any way. Do not use any adapter plugs with earthed (grounded) power tools. Unmodified plugs and matching outlets will reduce risk of electric shock.
- Avoid unintentional starting. Always check that the switch is in the Off position before plugging in the product to the power supply. Do not carry a plugged in product with your finger on the switch.
- Avoid body contact with earthed or grounded surfaces, such as pipes, radiators, ranges, and refrigerators. There is an increased risk of electric shock if your body is earthed or grounded.
- Do not expose the product to rain or wet conditions. Water entering an appliance will increase the risk of electric shock.
- Electrical power should be supplied via a residual current device (RCD) with a tripping current of not more than 30 mA.
- Before every use, examine the power cord for damage. If there are signs of damage, it must be replaced. Always uncoil the power cord during use; coiled cables can overheat.
- If you need to use an extension cord, ensure it is suitable for outdoor use and has a current capacity rating sufficient to supply your tool. The extension cord cable should be marked with either "H05 RN F" or "H05 VV F". Check the extension cord before every use for damage. Always uncoil the extension cord during use because coiled cords can overheat. Damaged extension cords should not be repaired, they should be replaced with an equivalent type.
- Make sure the power cord is positioned so that it will not be stepped on, tripped over or otherwise subjected to damage or stress.
- Never pick up or carry the product by the electric cable.
- Never pull by the power cord to disconnect from the power supply.
- Keep the power cord away from heat, oil and sharp edges.
- Always direct the cable to the rear away

from the product.

- Make sure voltage is correct for your product. A nameplate on the product indicates the unit's voltage. Never connect the product to an AC voltage that differs from this voltage.
- Make sure the switch is in Off position before disconnecting from power supply.

PREPARATION

- Some regions have regulations that restrict the use of the product to some operations. Check with your local authority for advice.
- While operating the product always wear substantial footwear and long trousers. Do not operate the product when barefoot or wearing open sandals. Avoid wearing clothing that is loose fitting or that has hanging cords or ties; they can be caught in moving parts.
- Do not wear loose clothing or jewellery that can be drawn into the air inlet.
- Secure long hair so it is above shoulder level to prevent entanglement in moving parts.
- Wear hearing protection at all times while operating the product. This product is extremely noisy and permanent hearing may result if precautions to limit your exposure, reduce noise and wear hearing protection are not strictly adhered to.
- Wear full eye protection at all times while operating this product. The manufacturer strongly suggests a full face mask or fully enclosed goggles. Normal spectacles or sun glasses are not adequate protection. Objects can be thrown at high speed by the powerful air jet at any time and may rebound from hard surfaces toward the operator.
- Ensure before each use that all controls and safety devices function correctly. Do not use the product if the "off" switch does not stop the product.
- Before each use, always inspect the housing for damage. Ensure that guards and handles are in place and properly secured.
- Return to an authorised service centre to replace damaged or unreadable labels.
- Never operate the product with defective guards or shields, or without safety devices,

for example debris collector, in place.

- Keep all cooling air inlets clear of debris.
- Use rakes and brooms to loosen debris before blowing/vacuuming.
- Clear the work area before each use. Remove all objects such as rocks, broken glass, nails, wires, or string which can be blown a considerable distance by high velocity air.
- Operate the product on a firm, level surface only.

⚠ WARNING

Before using the product in vacuum mode you must assemble the upper and lower vacuum tubes together as shown on page 165. This is a once only operation. Never operate the vacuum with only the upper vacuum tube fitted. The risk of personal injury is significantly increased if you fail to follow this warning.

OPERATION

- If the cord becomes damaged during use, disconnect the cord from the power supply immediately. **Do not touch the cord before disconnecting the power supply.** Do not use the product if the cord is damaged or worn.
- Operate the product only at reasonable hours – not early in the morning or late at night when people might be disturbed.
- Never operate the product in an explosive atmosphere.
- Avoid using the product in bad weather conditions especially when there is a risk of lightning.
- Do not operate in poor lighting. The operator requires a clear view of the work area to identify potential hazards.
- Use of hearing protection reduces the ability to hear warnings (shouts or alarms). The operator must pay extra attention to what is going on in the working area.
- Do not get distracted and always concentrate on what you are doing. Think about and consider the effect of your actions carefully.
- Operating similar tools nearby increases both the risk of hearing injury and the

potential for other persons to enter your working area.

- Keep firm footing and balance. Do not overreach. Overreaching can result in loss of balance.
- Always be sure of the footing on slopes. Walk, never run.
- Keep all parts of your body away from any moving part. Rotating impeller blades can cause severe injury. Stop the product and ensure impeller blades have stopped rotating before opening the fan cover, installing or changing tubes, or opening or removing debris bag.
- Never run the product without the proper equipment attached. When used as a blower, always install the blower tubes and close the fan cover. When used as a vacuum, always install the vacuum tubes and vacuum bag.
- Do not modify the product in any way or use parts and accessories which are not recommended by the manufacturer.

⚠ WARNING

If the product is dropped, suffers heavy impact, or begins to vibrate abnormally, immediately stop the product and inspect for damage or identify the cause of the vibration. Any damage should be properly repaired or replaced by an authorised service centre.

- To reduce the risk of injury associated with contacting rotating parts, always stop the product, disconnect from the mains, and make sure all moving parts have come to a stop:
 - before cleaning or clearing a blockage
 - when leaving the product unattended
 - before installing or removing attachments
 - before checking, maintaining, or working on the product
 - to inspect the product for damage after striking a foreign object
 - if the product starts to vibrate abnormally (inspect immediately)

⚠ WARNING

Your blower/vacuum may be supplied with a harness. Carefully adjust the harness to comfortably help you in supporting the weight of the product.

Identify the quick release mechanism and practice using it before you start using the product. Its correct use may prevent serious injury in the case of an emergency. Never wear additional clothing over the harness or otherwise restrict access to the quick release mechanism.

BLOWER SAFETY WARNINGS

- Wear a face filter mask in dusty conditions to reduce the risk of injury associated with the inhalation of dust.
- Do not point the blower nozzle in the direction of people or pets.
- Never place objects inside the blower tubes.
- Do not operate the product near open windows, etc.
- Slightly dampen surfaces in dusty conditions.
- Use the full blower nozzle extension so the air stream can work close to the ground.
- Do not place blower on top of or near loose debris. Debris may be sucked into the intake vent resulting in possible damage to the product.

VACUUM SAFETY WARNINGS

⚠ WARNING

Never operate the vacuum with only the upper vacuum tube fitted. The risk of personal injury is significantly increased if you fail to follow this warning.

- Do not operate vacuum without the vacuum bag assembly installed; flying debris could cause serious injury. Make sure the vacuum bag is completely zipped or closed before operating.
- Move the vacuum from side to side along the outer edge of the debris. To avoid clogging, do not place the vacuum tube directly into the debris pile.

- Hold the motor higher than the inlet end of the vacuum tube.
- Always point vacuum tube downhill when working on a hillside.
- To avoid serious injury to the operator or damage to the product, do not try to vacuum up rocks, broken glass, bottles, or other similar objects.
- Avoid situations that could cause fire in the vacuum bag. Do not operate near an open flame. Do not vacuum warm ash from fireplaces, barbecue pits, etc. Do not vacuum discarded cigars or cigarettes unless the cinders are completely cool.

TRANSPORTATION AND STORAGE

- Stop the product, disconnect from the mains, and allow it to cool before storing or transporting.
- Clean all foreign material from the product. Store it in a cool, dry and well-ventilated place that is inaccessible to children. Keep away from corrosive agents such as garden chemicals and de-icing salts. Do not store outdoors.
- For transportation, secure the product against movement or falling to prevent injury to persons or damage to the product.

MAINTENANCE

⚠ WARNING
Use only original manufacturer's replacement parts, accessories and attachments. Failure to do so can cause possible injury, poor performance and may void your warranty.

⚠ WARNING
Servicing requires extreme care and knowledge and should be performed only by a qualified service technician. For service we suggest you return the product to your nearest authorised service centre for repair. When servicing, use only identical replacement parts.

- You may make adjustments and repairs described here. For other repairs, contact the authorised service agent.

- After each use, clean the product with a soft dry cloth.
- Check all nuts, bolts, and screws at frequent intervals for proper tightness, to ensure the product is in safe working condition. Any part that is damaged should be properly repaired or replaced by an authorised service centre.
- Never attempt to override the interlocked feature of the guard.

RESIDUAL RISKS

Even when the product is used as prescribed, it is still impossible to completely eliminate certain residual risk factors. The following hazards may arise in use and the operator should pay special attention to avoid the following:

- Injury caused by vibration. Always use the right tool for the job. Use designated handles and restrict working time and exposure.
- Hearing damage caused by exposure to noise. Wear ear protection and limit exposure.
- Injury from flying objects from the blow tube airflow or vacuum exhaust if the bag is not fitted or damaged. Wear adequate eye protection at all times.

RISK REDUCTION

It has been reported that vibrations from handheld tools may contribute to a condition called Raynaud's Syndrome in certain individuals. Symptoms may include tingling, numbness, and blanching of the fingers, usually apparent upon exposure to cold. Hereditary factors, exposure to cold and dampness, diet, smoking and work practices are all thought to contribute to the development of these symptoms. There are measures that can be taken by the operator to possibly reduce the effects of vibration:

- Keep your body warm in cold weather. When operating the product wear gloves to keep the hands and wrists warm. It is reported that cold weather is a major factor contributing to Raynaud's Syndrome.
- After each period of operation, exercise to increase blood circulation.
- Take frequent work breaks. Limit the amount of exposure per day.

If you experience any of the symptoms of this condition, immediately discontinue use and see your doctor.

⚠ WARNING

Injuries may be caused, or aggravated, by prolonged use of the product. When using any tool for prolonged periods, ensure you take regular breaks.

KNOW YOUR PRODUCT

See page 164.

1. Fan cover
2. Upper vacuum tube
3. Lower vacuum tube
4. Guide wheels
5. High speed nozzle
6. Lower blow tube
7. Upper blow tube
8. Vacuum bag
9. Bag adaptor
10. Blower/vacuum mode selection lever
11. Front handle
12. Speed selector
13. Rear handle
14. On/Off trigger

SYMBOLS ON THE PRODUCT



Read and understand all instructions before operating the product, follow all warnings and safety instructions.



Beware of thrown or flying objects. Keep all bystanders, especially children and pets, at least 15 m away from the operating area.



Rotating fans. Keep hands and feet out of openings while the product is running.



Wear ear protection.



Wear eye protection.



Do not expose to rain or damp condition.



Switch off: remove plug from mains before cleaning or maintenance



Remove plug from the mains immediately before maintenance or if cable is damaged or cut.



Conforms to all regulatory standards in the country in the EU where the product is purchased.



EurAsian Conformity Mark



Ukrainian mark of conformity.



Class II tool, double insulation



Waste electrical products should not be disposed of with household waste. Please recycle where facilities exist. Check with your local authority or retailer for recycling advice.



The guaranteed sound power level is shown on this label by 108 dB.



Blower mode



Vacuum mode

SYMBOLS IN THIS MANUAL



Connect to power outlet.



Disconnect from power outlet.



Note



Warning

The following signal words and meanings are intended to explain the levels of risk associated with this product.

 **DANGER**

Indicates an imminently hazardous situation, which, if not avoided, will result in death or serious injury.

 **WARNING**

Indicates a potentially hazardous situation, which, if not avoided, could result in death or serious injury.

 **CAUTION**

Indicates a potentially hazardous situation, which, if not avoided, may result in minor or moderate injury.

CAUTION

Without safety alert symbol

Indicates a situation that may result in property damage.



| |
|-----------|
| EN |
| FR |
| DE |
| ES |
| IT |
| NL |
| PT |
| DA |
| SV |
| FI |
| NO |
| RU |
| PL |
| CS |
| HU |
| RO |
| LV |
| LT |
| ET |
| HR |
| SL |
| SK |
| BG |
| UK |
| TR |

La plus grande priorité a été donnée à la sécurité, aux performances et à la fiabilité de votre aspirateur/souffleur électrique lors de sa conception.

UTILISATION PRÉVUE

Ce produit ne doit être utilisé qu'à l'extérieur.

Ce produit ne doit pas être utilisé par des enfants ou par des personnes aux capacités physiques, sensorielles ou mentales diminuées.

Ce produit est destiné au soufflage des débris légers tels que les feuilles, l'herbe et autres déchets du jardin. Il est conçu pour aspirer et légèrement broyer les débris mentionnés ci-dessus et pour les retenir dans son sac de collecte. Il n'a pas été conçu pour le pompage ou l'aspiration d'eau ou autres liquides.

⚠ AVERTISSEMENT

Suivez les règles de sécurité lorsque vous utilisez le produit. Pour votre sécurité et celle des passants, vous devez lire et totalement comprendre ces instructions avant d'utiliser le produit. Veuillez conserver ce manuel pour vous-y reporter dans le futur.

⚠ AVERTISSEMENT

Ce produit ne doit pas être utilisé par des enfants ou par des personnes aux capacités physiques, sensorielles ou mentales diminuées. Les enfants doivent être bien surveillés afin de s'assurer qu'ils ne jouent pas avec le produit.

AVERTISSEMENTS GÉNÉRAUX DE SÉCURITÉ

ENTRAÎNEMENT

- Lisez attentivement les instructions. Familiarisez-vous avec les commandes du produit ainsi qu'avec son utilisation correcte.
- Ne laissez jamais les enfants, les personnes aux capacités physiques, sensorielles ou mentales réduites ou manquant d'expérience et de connaissances, ou les personnes non familiarisées avec ces instructions utiliser ce produit. Les lois locales peuvent imposer un âge minimum à l'opérateur.
- Gardez à l'esprit que l'opérateur est

responsable des accidents qui arrivent aux autres personnes présentes dans sa propriété.

- Gardez les passants, les enfants et les animaux éloignés d'au moins 15 m de l'aire de travail. Arrêtez le produit lorsque quiconque pénètre dans l'environnement de travail.
- N'utilisez jamais le produit lorsque vous êtes fatigué, malade, ou sous l'influence de l'alcool, de drogues ou de médicaments.

SÉCURITÉ ÉLECTRIQUE

- Les fiches secteur doivent correspondre à la prise de courant. Ne jamais modifier la fiche de quelque façon que ce soit. N'utilisez pas d'adaptateurs avec les outils électriques reliés à la terre. L'utilisation de fiches secteur non modifiées et adaptées à la prise de courant réduit le risque de décharge électrique.
- Évitez tout démarrage involontaire. Assurez-vous que l'interrupteur est toujours en position Off (arrêt) avant de brancher le produit sur l'alimentation. Ne déplacez pas un produit en ayant le doigt sur la gâchette lorsque celui-ci est branché.
- Éviter tout contact du corps avec des surfaces reliées à la terre telles que les tuyaux, les radiateurs, les cuisinières et les réfrigérateurs. Il existe un risque accru de choc électrique si votre corps est relié à la terre.
- N'exposez pas ce produit à la pluie ou à des conditions humides. La pénétration d'eau dans un appareil augmente le risque de décharge électrique.
- L'appareil doit être alimenté par l'intermédiaire d'un disjoncteur différentiel d'une sensibilité minimale de 30mA.
- Avant chaque utilisation, vérifiez que le câble d'alimentation n'est pas endommagé. Si elles sont endommagées, faites-les remplacer immédiatement. Déroulez toujours le câble d'alimentation en cours d'utilisation, les câbles enroulés sont susceptibles de surchauffer.
- Si vous devez utiliser une rallonge électrique, assurez-vous qu'elle est prévue pour une utilisation à l'extérieur et que sa section est suffisante pour alimenter votre outil. Le câble de la rallonge électrique doit porter la mention "H05 RN F" ou "H05



VV F". Vérifiez le bon état de la rallonge électrique avant chaque utilisation. La rallonge électrique doit toujours être déroulée pendant utilisation, les câbles enroulés étant susceptibles de surchauffer. Les rallonges endommagées ne doivent pas être réparées, elles doivent être remplacées par un modèle équivalent.

- Assurez-vous que le câble chemine de façon à ce que l'on ne peut pas marcher dessus ou se prendre les pieds dedans, et qu'il ne peut pas être forcé ou endommagé.
- Ne soulevez et ne transportez jamais le produit en le tenant par son câble d'alimentation.
- Ne débranchez jamais le câble d'alimentation en tirant dessus.
- Gardez le câble d'alimentation éloigné de la chaleur, des graisses et des bords coupants.
- Dirigez toujours le câble vers l'arrière en l'éloignant du produit.
- Assurez-vous que la tension secteur est adaptée à votre produit. La tension de service est indiquée sur une plaque signalétique présente sur l'appareil. Ne branchez jamais le produit sur une source de courant dont la tension est différente de sa tension nominale.
- Assurez-vous que l'interrupteur est en position Off (arrêt) avant de débrancher l'alimentation.

PRÉPARATION

- La législation de certaines régions restreint l'utilisation du produit à certaines opérations. Contactez les autorités locales pour obtenir des conseils.
- Lorsque vous utilisez le produit, portez toujours des chaussures adéquates ainsi que des pantalons longs. N'utilisez pas la machine pieds nus ou avec des sandales ouvertes. Évitez tout habillement ample ou comportant des cordons ou cravates qui pendent et seraient susceptibles d'être happés par les pièces en mouvement.
- Ne portez pas de vêtements amples ou de bijoux qui pourraient être attirés vers l'entrée d'air.
- Attachez les cheveux longs au-dessus du niveau des épaules afin d'éviter qu'ils ne se prennent dans les parties en mouvement.

- Portez une protection auditive en permanence lorsque vous utilisez ce produit. Ce produit est extrêmement bruyant et pourrait provoquer une perte d'audition permanente si des mesures de précautions telles que la réduction de l'exposition, la réduction du bruit et le port d'une protection auditive ne sont pas suivies de façon stricte.

- Portez une protection oculaire totale en permanence lorsque vous utilisez ce produit. Le fabricant recommande fortement le port d'un masque facial total ou de lunettes de protection complètement fermées. Des lunettes de vue ou de soleil ne constituent pas une protection adéquate. Des objets peuvent être projetés à haute vitesse à tout moment par le puissant flux d'air et peuvent rebondir sur des surfaces dures en direction de l'opérateur.

- Avant chaque utilisation assurez-vous que toutes les commandes et tous les organes de sécurité fonctionnent correctement. N'utilisez pas le produit si son interrupteur "arrêt" est inopérant à arrêter le moteur.

- Avant chaque utilisation, procédez toujours à une inspection visuelle afin de vérifier que les éléments de broyage, les boulons des éléments de broyage, et les autres fixations sont bien serrés (selon le cas), que le boîtier est en bon état, et que les protections et poignées sont bien en place.

- Adressez-vous à un service après-vente agréé pour le remplacement des étiquettes abîmées ou illisibles.

- N'utilisez jamais un produit dont les carters ou les protections sont endommagés ou dont les éléments de sécurité, comme le collecteur de débris, ne sont pas en place.

- Gardez toutes les entrées d'air de refroidissement exemptes de débris.

- Utilisez un râteau et un balai pour désagglutiner les débris avant de les souffler/aspirer.

- Dégagez la zone de travail avant chaque utilisation. Retirez tous les objets tels que pierres, verre brisé, clous, câbles ou ficelle qui pourraient se voir projeter à une distance considérable par la haute vitesse de l'air.

- Ne travaillez avec le produit que sur une surface dure et horizontale.

⚠ AVERTISSEMENT

Avant d'utiliser le produit en mode aspirateur, vous devez assembler les tubes d'aspiration inférieur et supérieur ensemble comme illustré page 165. Cette opération ne doit être effectuée qu'une seule fois. N'utilisez jamais l'aspirateur avec uniquement le tube supérieur en place. Le risque de blessures augmente de façon significative si vous ne tenez pas compte de cet avertissement.

UTILISATION

- Si le câble d'alimentation venait à être endommagé pendant utilisation, débranchez-le immédiatement du secteur. **Ne touchez pas au câble avant d'avoir débranché l'alimentation.** N'utilisez pas la machine si le câble est endommagé ou usé.
- N'utilisez la machine qu'à des heures raisonnables – évitez de le faire tôt le matin ou tard le soir, où vous risqueriez de gêner des gens.
- N'utilisez jamais le produit dans une atmosphère explosive.
- Évitez d'utiliser le produit par mauvais temps, en particulier en cas de risque d'éclairs.
- N'utilisez pas cet outil dans une zone mal éclairée. L'opérateur doit avoir une bonne vue d'ensemble de la zone de travail pour identifier les dangers éventuels.
- L'utilisation d'une protection auditive réduit la capacité à entendre les avertissements (cris ou alarmes). L'utilisateur doit redoubler d'attention par rapport aux événements survenant dans la zone de travail.
- Ne vous laissez pas distraire et concentrez-vous sur ce que vous faites. Pensez attentivement aux conséquences de vos actions.
- L'utilisation d'outils similaires alentour augmente le risque d'atteinte à l'audition ainsi que le risque que d'autres personnes entrent dans la zone de travail.
- Gardez un bon appui et un bon équilibre. Ne pas se précipiter. Ne travaillez pas en extension, vous pourriez perdre l'équilibre.
- Gardez toujours un bon appui dans les pentes. Marchez, ne courez jamais.
- Maintenez toutes les parties de votre corps

éloignées des parties en mouvement. Les pales de la turbine en rotation peuvent entraîner de graves blessures. Arrêtez le produit et assurez-vous que les pales ont cessé de tourner avant d'ouvrir le couvercle de turbine, de mettre en place/changer les tubes, ouvrir ou retirer le sac de collecte des débris.

- Ne faites jamais fonctionner l'appareil sans qu'un accessoire adapté soit en place. En cas d'utilisation en tant que souffleur, installez toujours les tubes de soufflage et refermez le couvercle de turbine. Lorsque vous l'utilisez comme un aspirateur, installez toujours les tubes d'aspiration et un sac d'aspiration.
- Ne modifiez la machine d'aucune façon et n'utilisez pas de pièces ou accessoires non recommandés par le fabricant.

⚠ AVERTISSEMENT

Si le produit est tombé, a subi un choc important ou se met à vibrer de façon anormale, arrêtez-le immédiatement et recherchez les dommages éventuels ou identifiez la cause des vibrations. Toute pièce endommagée doit être correctement remplacée ou réparée par un service après-vente agréé.

- Pour réduire le risque de blessures occasionnées par le contact avec les éléments en rotation, il convient de toujours arrêter le produit, de le débrancher du secteur et de s'assurer que tous les éléments en mouvement se sont bien arrêtés :
 - avant de nettoyer ou de dégager la cause d'un blocage
 - lorsque vous laissez le produit sans surveillance
 - avant de mettre en place ou de retirer des accessoires
 - avant de travailler sur le produit, de le vérifier ou de l'entretenir
 - pour vérifier l'absence de dommages subis par le produit après qu'il ait heurté un objet étranger
 - si le produit se met à vibrer de façon anormale (vérifiez immédiatement)

⚠ AVERTISSEMENT

Votre souffleur/aspirateur est susceptible d'avoir été livré avec un harnais. Ajustez soigneusement le harnais de façon qu'il aide confortablement à supporter le poids du produit.

Repérez le mécanisme de libération rapide et entraînez-vous à sa manipulation avant de commencer à utiliser la machine. Son utilisation correcte peut empêcher de graves blessures en cas d'urgence. Ne portez jamais aucun vêtement supplémentaire par dessus le harnais qui serait susceptible de gêner le fonctionnement du mécanisme de libération rapide.

AVERTISSEMENTS DE SÉCURITÉ RELATIFS AU SOUFFLAGE

- Portez un masque facial en conditions poussiéreuses pour éviter toute blessure due à l'inhalation des poussières.
- Ne pas pointer la buse de soufflage dans la direction des personnes ou des animaux domestiques.
- N'introduisez jamais aucun objet dans les tubes du souffleur.
- N'utilisez pas la machine à proximité de fenêtres ouvertes.
- Humectez légèrement les surfaces en conditions poussiéreuses.
- Utilisez la rallonge d'embout de soufflage afin que le souffle d'air agisse près du sol.
- Ne placez pas le souffleur sur ou à proximité de débris épars. Les débris sont susceptibles d'être aspirés dans les entrées d'air ce qui risquerait d'endommager l'appareil.

AVERTISSEMENTS DE SÉCURITÉ RELATIFS À L'ASPIRATION

⚠ AVERTISSEMENT

N'utilisez jamais l'aspirateur avec uniquement le tube supérieur en place. Le risque de blessures augmente de façon significative si vous ne tenez pas compte de cet avertissement.

- N'utilisez pas l'aspirateur sans que le sac de collecte ne soit en place ; des débris volant

pourraient causer de graves blessures. Assurez-vous que la fermeture éclair du sac est bien fermée avant utilisation.

- Effectuez un mouvement de balayage de gauche à droite le long de la limite des débris. Pour éviter tout bourrage, ne plongez pas directement le tube d'aspiration dans le tas de débris.
- Maintenez le moteur plus haut que l'extrémité d'entrée du tube d'aspiration.
- Faites toujours pointer le tube d'aspiration vers l'aval lorsque vous travaillez sur une pente.
- Pour éviter d'occasionner de graves blessures ou des dommages à l'appareil, ne tentez pas d'aspirer des cailloux, du verre brisé, des bouteilles ou autres objets similaires.
- Évitez les situations qui pourraient mettre le feu au sac d'aspiration. Ne travaillez pas à proximité d'une flamme nue. N'aspirez pas les cendres chaudes d'une cheminée, le charbon de bois, les amas de brindilles, etc. N'aspirez pas de mégots de cigares ou de cigarettes à moins qu'ils soient complètement froids.

TRANSPORT ET STOCKAGE

- Arrêtez le produit, débranchez-le du secteur et laissez-le refroidir avant de le ranger ou de le transporter.
- Débarrassez l'appareil de tous les corps étrangers. Rangez la en un endroit frais, sec et correctement ventilé, hors de portée des enfants. Ne la rangez pas à proximité d'agents corrosifs tels que produits chimiques de jardinage ou sels de dégel. Ne rangez pas à l'extérieur.
- Pour le transport, attachez le produit pour l'empêcher de bouger ou de tomber, afin d'éviter toute blessure et tout dommage matériel.

ENTRETIEN

⚠ AVERTISSEMENT

N'utilisez que des pièces détachées et accessoires d'origine constructeur. Le non respect de cette précaution peut entraîner de mauvaises performances, des blessures, et annuler votre garantie.



⚠ AVERTISSEMENT

Les réparations demandent un soin et des connaissances extrêmes et ne doivent être effectuées que par un réparateur qualifié. Pour toute réparation, nous vous conseillons de retourner votre appareil à votre service après vente agréé le plus proche. N'utilisez que des pièces détachées identiques pour effectuer les réparations.

- Vous pouvez effectuer les réglages et réparations décrits dans ce manuel. Pour les autres réparations, contactez un service après-vente agréé.
- Après chaque utilisation, utilisez un chiffon propre et sec pour nettoyer le produit.
- Vérifiez régulièrement le bon serrage des écrous, vis et boulons pour que le produit soit toujours en bon état de fonctionnement. Toute pièce endommagée doit être correctement remplacée ou réparée par un service après-vente agréé.
- Ne tentez jamais de neutraliser le dispositif de sécurité de la protection.

RISQUES RÉSIDUELS

Même lorsque le produit est utilisé selon les prescriptions, il reste impossible d'éliminer totalement certains facteurs de risque résiduels. Les dangers suivants risquent de se présenter en cours d'utilisation et l'utilisateur doit prêter particulièrement garde à ce qui suit:

- Blessures dues aux vibrations. Utilisez toujours un outil adapté au travail à effectuer. Servez-vous des poignées appropriées et limitez le temps de travail et d'exposition.
- L'exposition au bruit peut provoquer des pertes d'audition. Portez une protection auditive et limitez le temps d'exposition.
- Risque de blessures causées par la projection d'objets par le tube de soufflage ou l'échappement au cas où le sac de collecte serait manquant ou endommagé. Portez en permanence une protection oculaire adaptée.

RÉDUCTION DES RISQUES

Il a été reporté que les vibrations engendrées par les outils à main peuvent contribuer à l'apparition d'un état appelé le Syndrome

de Raynaud chez certaines personnes. Les symptômes peuvent comprendre des fourmillements, un engourdissement et un blanchiment des doigts, généralement par temps froid. Des facteurs héréditaires, l'exposition au froid et à l'humidité, le régime alimentaire, le tabagisme et les habitudes de travail peuvent contribuer au développement de ces symptômes. Certaines mesures peuvent être prises par l'utilisateur pour aider à réduire les effets des vibrations:

- Gardez votre corps au chaud par temps froid. Lorsque vous utilisez le produit, portez des gants afin de garder vos mains et vos poignets au chaud. Le temps froid est considéré comme un facteur contribuant très largement à l'apparition du Syndrome de Raynaud.
- Après chaque session de travail, pratiquez des exercices qui favorisent la circulation sanguine.
- Faites des pauses fréquentes. Limitez la quantité d'exposition journalière.

Si vous ressentez l'un des symptômes associés à ce syndrome, arrêtez immédiatement le travail et consultez votre médecin pour lui en faire part.

⚠ AVERTISSEMENT

L'utilisation prolongée d'un outil est susceptible de provoquer ou d'aggraver des blessures. Assurez-vous de faire des pauses de façon régulière lorsque vous utilisez tout outil de façon prolongée.

APPRENEZ À CONNAÎTRE VOTRE PRODUIT

Voir page 164.

1. Carter de turbine
2. Tube d'aspiration supérieur
3. Tube d'aspiration inférieur
4. Roues de guidage
5. Embout haute vitesse
6. Tube de soufflage inférieur
7. Tube de soufflage supérieur
8. Sac d'aspiration
9. Adaptateur pour sac
10. Levier de sélection de mode souffleur/ aspirateur
11. Poignée avant
12. Sélecteur de vitesse
13. Poignée arrière
14. Gâchette Marche/Arrêt

- EN
- FR
- DE
- ES
- IT
- NL
- PT
- DA
- SV
- FI
- NO
- RU
- PL
- CS
- HU
- RO
- LV
- LT
- ET
- HR
- SL
- SK
- BG
- UK
- TR



SYMBOLES APPLIQUÉS SUR LE PRODUIT



Lisez et comprenez toutes les instructions avant d'utiliser le produit, respectez tous les avertissements et toutes les instructions de sécurité. Prenez garde à la projection d'objets au sol et dans les airs. Gardez tous les passants, en particulier les enfants et les animaux, éloignés d'au moins 15 m de distance de la zone de travail.



Turbine rotative. Éloignez les mains et les pieds des ouvertures du produit en fonctionnement.



Portez une protection auditive



Portez une protection oculaire



Ne pas exposer à la pluie ou à des conditions humides.



Arrêt : débranchez la fiche du secteur avant toute opération de nettoyage ou d'entretien. Débranchez immédiatement la fiche secteur avant l'entretien ou si le câble est endommagé ou coupé.



Cet outil est conforme à l'ensemble des normes réglementaires du pays de l'UE où il a été acheté.



Outil de Classe II, isolation double



Les produits électriques hors d'usage ne doivent pas être jetés avec les ordures ménagères. Recyclez-les par l'intermédiaire des structures disponibles. Contactez les autorités locales pour vous renseigner sur les conditions de recyclage.



Le niveau de puissance sonore garanti est de 108 dB



Mode souffleur



Mode aspirateur



Marque de conformité ukrainienne



Marque de qualité EurAsian

SYMBOLES DE CE MANUEL



Branchez sur le secteur



Débranchez du secteur



Remarque



Avertissement

Les symboles suivants, et les noms qui leur sont associés, permettent d'expliquer les différents niveaux de risques liés à l'utilisation de cet outil.

⚠ DANGER

Situation potentiellement dangereuse qui, si l'on n'y prend garde, peut entraîner la mort ou des blessures graves.

⚠ AVERTISSEMENT

Situation potentiellement dangereuse qui, si l'on n'y prend garde, peut entraîner la mort ou des blessures graves.

⚠ MISE EN GARDE

Situation potentiellement dangereuse qui, si l'on n'y prend garde, peut entraîner des blessures moyennes ou légères.

MISE EN GARDE

Sans symbole d'alerte de sécurité. Indique une situation pouvant entraîner des dommages matériels.

Sicherheit, Leistung und Zuverlässigkeit hatten oberste Priorität bei der Entwicklung ihres elektrisches Bläsers/Saugers.

VORGESEHENE VERWENDUNG

Dieses Produkt ist nur zum Einsatz im Freien vorgesehen.

Dieses Produkt ist nicht für Kinder oder Personen mit verminderten physischen, geistigen oder sensorischen Fähigkeiten geeignet.

Das Produkt ist zum Wegblasen von leichtem Kehrut, wie Laub, Gras und anderen Gartenabfällen vorgesehen. Sie ist zum Saugen und leichten Mulchen von Schnittgut wie oben beschrieben vorgesehen, das in dem Sammelbeutel gefangen wird. Es ist nicht zum Aufsaugen von Wasser oder anderen Flüssigkeiten vorgesehen.

⚠️ WARNUNG

Die Sicherheitsregeln müssen befolgt werden, wenn dieses Produkt benutzt wird. Lesen Sie für Ihre eigene Sicherheit und die von Zuschauern diese Anweisungen, bevor Sie das Produkt benutzen. Bitte bewahren Sie die Anweisungen zum späteren Nachschlagen auf.

⚠️ WARNUNG

Dieses Produkt ist nicht für Kinder oder Personen mit verminderten physischen, geistigen oder sensorischen Fähigkeiten geeignet. Kinder müssen ausreichend beaufsichtigt werden, so dass gewährleistet ist, dass Sie nicht mit dem Produkt spielen.

ALLGEMEINE SICHERHEITSWARNUNGEN

UNTERWEISUNG

- Lesen Sie die Anweisungen sorgfältig durch. Machen Sie sich mit den Bedienelementen und dem ordnungsgemäßen Gebrauch des Produktes vertraut.
- Erlauben Sie niemals Kinder, Personen mit eingeschränkten körperlichen,

sensorischen oder mentalen Fähigkeiten oder mangelnder Erfahrung und Wissen, oder Personen die mit diesen Anweisungen nicht vertraut sind, das Produkt zu benutzen. Die lokale Gesetzgebung regelt das Mindestalter des Benutzers.

- Vergessen Sie nie, dass der Benutzer verantwortlich ist für Unfälle und Gefahren die an Eigentum Fremder oder an anderen Personen entstehen könnte.
- Halten Sie Zuschauer, Kinder und Haustiere 15 m von dem Arbeitsbereich fern. Stoppen Sie das Produkt, wenn jemand diesen Bereich betritt.
- Arbeiten Sie niemals mit dem Produkt, wenn Sie müde oder krank sind, oder unter dem Einfluss von Alkohol, Drogen oder Medikamenten stehen.

ELEKTRISCHE SICHERHEIT

- Der Netzstecker muss in die Steckdose passen. Der Stecker darf in keiner Weise verändert werden. Verwenden Sie keine Adapterstecker gemeinsam mit schutzgeerdeten Elektrowerkzeugen. Unveränderte Stecker und passende Steckdosen verringern das Risiko eines elektrischen Schlags.
- Unterlassen Sie das unbeabsichtigtes Starten des Gerätes. Überprüfen Sie immer, dass der Schalter sich in der AUS Position befindet bevor Sie das Produkt an das Stromnetz anschließen. Tragen Sie kein Produkt, welches angeschlossen ist, mit sich herum.
- Vermeiden Sie Körperkontakt mit geerdeten Oberflächen wie von Rohren, Heizungen, Herden und Kühlschränken. Es besteht ein erhöhtes Risiko durch elektrischen Schlag, wenn Ihr Körper geerdet ist.
- Setzen Sie dieses Produkt nicht Regen oder feuchten Bedingungen aus. Ein Eindringen von Wasser in ein Gerät erhöht die Gefahr eines Stromschlags.
- Die Stromversorgung sollte über eine Fehlerstromschutzeinrichtung mit einem Auslösestrom von nicht mehr als 30 mA angeschlossen werden.

- Überprüfen Sie das Netzkabel vor jeder Benutzung auf Schäden. Bei Anzeichen von Beschädigung muss es ausgetauscht werden. Entrollen Sie bei der Benutzung immer das Netzkabel; aufgerollte Kabel können überhitzen.
- Wenn Sie eine Verlängerungskabel benutzen müssen, stellen Sie sicher, dass es für den Einsatz im Freien geeignet ist und ausreichend für die Strombelastung Ihres Werkzeugs ist. Das Verlängerungskabel sollte entweder mit "H05 RN F" oder "H05 VV F" gekennzeichnet sein. Überprüfen Sie das Verlängerungskabel vor jeder Benutzung auf Beschädigung. Entrollen Sie bei der Benutzung immer das Verlängerungskabel, weil aufgerollte Kabel überhitzen können. Beschädigte Verlängerungskabel sollten nicht repariert werden; sie sollten durch einem gleichwertigen Typ ersetzt werden.
- Stellen Sie sicher, dass das Stromkabel so liegt, dass man nicht darauf tritt, darüber stolpert, oder es auf andere Weise Beschädigungen und Belastungen ausgesetzt wird.
- Heben oder tragen Sie das Produkt niemals mit dem Netzkabel.
- Ziehen Sie niemals das Netzkabel um die Stromversorgung zu trennen.
- Halten Sie das Netzkabel fern von Hitze, Öl, und scharfen Kanten.
- Führen Sie das Kabel immer nach hinten vom Produkt weg.
- Stellen Sie sicher, dass die Spannung für Ihr Produkt richtig ist. Ein Typenschild auf dem Produkt zeigt die Spannung des Gerätes an. Schließen Sie das Produkt niemals an eine andere als diese Stromspannung an.
- Stellen Sie sicher, dass sich der Schalter auf der Aus Position befindet, bevor Sie die Stromversorgung trennen.
- Tragen Sie beim Betrieb des Produktes immer festes Schuhwerk und lange Hosen. Arbeiten Sie mit der Maschine niemals barfuß oder mit offenen Sandalen. Vermeiden Sie locker sitzende Kleidung, oder Kleidung mit Schnüren oder Bändern zu tragen; sie können sich in beweglichen Teilen verfangen.
- Tragen Sie keine lose Kleidung oder Schmuck, die in den Lufteinlass gesaugt werden könnten.
- Binden Sie lange Haare zurück, so dass diese sich über Schulterhöhe befinden um zu verhindern, dass sie sich in beweglichen Teilen verfangen.
- Tragen Sie immer vollen Gehörschutz, wenn Sie das Produkt benutzen. Diese Maschine ist extrem laut und dauerhafter Hörschaden kann entstehen, wenn die Vorsichtsmaßnahmen zu Exposition, Lärmreduzierung und Gehörschutz nicht streng befolgt werden.
- Tragen Sie immer vollen Augenschutz, wenn Sie das Produkt benutzen. Der Hersteller empfiehlt dringend eine voll Gesichtsmaske oder vollkommen geschlossene Schutzbrille zu tragen. Normale Brillen oder Sonnenbrillen sind kein ausreichender Schutz. Gegenstände können von dem kräftigen Luftstrom jederzeit mit großer Geschwindigkeit geschleudert werden, und von harten Gegenständen in Richtung Benutzer zuspringen.
- Stellen Sie sicher, dass alle Bedienelemente und Sicherheitsvorrichtung ordnungsgemäß funktionieren. Benutzen sie das Produkt nicht, wenn das "Aus" Schalter den Motor nicht stoppt.
- Führen Sie immer vor der Benutzung eine Sichtprüfung durch, um zu sehen, dass die Schrauben und andere Befestigungen fest sitzen, das Gehäuse nicht beschädigt ist und die Schutzabdeckungen und Griffe ordnungsgemäß montiert sind.
- Zu einem autorisierten Kundendienst zurückbringen, um beschädigte oder unleserliche Aufkleber zu ersetzen.

VORBEREITUNG

- In einigen Regionen können Vorschriften die Benutzung dieses Produktes auf einige Tätigkeiten beschränken. Lassen Sie sich von Ihrer örtlichen Behörde beraten.



- Betreiben Sie das Produkt niemals mit defekten Schutzvorrichtungen oder Abschirmungen, oder ohne Sicherheitsvorrichtungen, wie z.B. angebrachtem Kehrgutfänger.
- Halten Sie alle Lüftungseinlässe von Blockierungen frei.
- Verwenden Sie Besen und Rechen um Kehrgut vor dem Blasen/Saugen zu lockern.
- Reinigen Sie vor jeder Benutzung den Arbeitsbereich. Entfernen Sie alle Objekte wie z.B. Steine, zerbrochenes Glas, Nägel, Draht oder Fäden, die von dem Luftstrom eine beträchtliche Distanz weggeblasen werden können.
- Bedienen Sie das Produkt nur auf einem festen, ebenen Grundfläche.

- Nicht bei schlechter Beleuchtung verwenden. Der Benutzer braucht einen unbehinderten Blick auf den Arbeitsbereich, um mögliche Gefahren zu erkennen.
- Das Tragen von Gehörschutz verringert Ihre Fähigkeit Warnungen zu hören (Warnungen oder Zurufe). Der Benutzer muss dem, was im Arbeitsbereich vor sich geht, ganz besondere Beachtung schenken.
- Lassen Sie sich nicht ablenken und konzentrieren Sie sich ständig auf das, was sie tun. Bedenken Sie die Auswirkungen Ihrer Handlungen sorgfältig.
- Der Betrieb ähnlicher Werkzeuge in der Umgebung erhöht das Risiko von Gehörschäden und die Wahrscheinlichkeit, dass andere Personen Ihren Arbeitsbereich betreten.
- Halten Sie immer das Gleichgewicht. Vermeiden Sie eine abnormale Körperhaltung. Das könnte zu Gleichgewichtsverlust führen.
- Achten Sie bei der Arbeit an Hängen auf einen festen Stand. Gehen sie immer, laufen sie nie.
- Halten Sie alle Körperteile von den bewegenden Teilen fern. Rotierende Flügelklingen können schwere Verletzungen verursachen. Schalten Sie das Produkt aus und vergewissern Sie sich, dass das Flügelrad aufgehört hat sich zu drehen, bevor Sie die Lüfterabdeckung öffnen, Rohre anbringen/wechseln oder den Auffangbeutel öffnen oder entfernen.
- Das Produkt nie laufen lassen, wenn die ordnungsgemäße Anlageteile nicht montiert sind. Montieren Sie beim Gebläsebetrieb immer die Gebläserohre und schließen Sie die Lüfterabdeckung. Montieren Sie beim Saugerbetrieb immer die Saugerrohre und den Saugbeutel.
- Verändern Sie die Maschine auf keine Weise oder verwenden Sie keine Teile oder Zubehör die nicht vom Hersteller empfohlen sind.

⚠ WARNUNG

Bevor Sie das Produkt im Saugmodus benutzen, müssen Sie das obere und untere Saugrohr, wie auf Seite 165 dargestellt, verbinden. Dies ist nur ein einmaliger Vorgang. Benutzen Sie den Sauger niemals mit nur dem oberen Saugrohr montiert. Die Gefahr von Verletzungen wird erheblich vergrößert, wenn Sie diese Warnung nicht beachten.

VERWENDUNG

- Trennen Sie das Kabel unverzüglich von der Stromversorgung, falls es während des Gebrauchs beschädigt werden sollte. **Berühren Sie nicht das Netzkabel, bevor Sie die Stromzufuhr getrennt haben.** Verwenden Sie die Maschine nicht falls das Kabel beschädigt oder abgenutzt ist.
- Betreiben Sie die Maschine nur zu angemessenen Zeiten – nicht früh am Morgen oder spät am Abend, wenn das andere Personen stören könnte.
- Benutzen Sie das Produkt niemals in explosionsfähiger Atmosphäre.
- Vermeiden Sie es das Produkt bei schlechtem Wetter zu benutzen, besonders bei Gewittergefahr.



⚠ WARNUNG

Wenn das Produkt fallen gelassen wurde oder einen schweren Schlag erhielt oder ungewöhnlich vibriert, stoppen Sie das Produkt sofort und überprüfen es auf Schäden oder identifizieren Sie die Ursache der Vibration. Jegliche Schäden sollte durch den autorisierten Kundendienst ordnungsgemäß repariert oder ausgetauscht werden.

- Damit die Gefahr durch drehende Teile verringert wird, stoppen Sie immer das Produkt, ziehen Sie den Netzstecker aus und stellen Sie sicher, dass alle drehende Teile gestoppt sind:
 - vor dem Reinigen oder Entfernen einer Blockierung.
 - wenn Sie das Produkt unbeaufsichtigt zurücklassen
 - vor dem Montieren oder Entfernen von Anbauteilen.
 - bevor Sie das Produkt prüfen, reinigen oder daran arbeiten,
 - bevor Sie das Produkt auf Schäden überprüfen, wenn einen Fremdkörper getroffen wurde.
 - wenn die Maschine anfängt ungewöhnlich zu vibrieren (sofort überprüfen).

⚠ WARNUNG

Ihr Bläser/Sauger kann mit einem Schultergurt geliefert werden. Stellen Sie das Schultergurt sorgfältig ein, damit es bequem sitzt und das Gewicht des Produktes stützt.

Ermitteln Sie, wie der Schnellverschluss funktioniert und üben Sie die Benutzung, bevor Sie die Maschine benutzen. Dessen richtige Benutzung kann im Notfall schwere Verletzungen verhindern. Tragen Sie niemals zusätzliche Kleidung über dem Schultergurt oder schränken den Zugriff zu dem Schnellverschluss anderweitig ein.

BLÄSER SICHERHEITSWARNUNGEN

- Tragen Sie bei staubigen Bedingungen einen Atemschutz um das Verletzungsrisiko durch das Einatmen von Staub zu verringern.
- Richten Sie die Gebläsedüse niemals auf Personen oder Tiere.
- Stecken Sie niemals Gegenstände in die Gebläserohre.
- Betreiben Sie die Maschine nicht in der Nähe eines geöffneten Fensters.
- Befeuchten Sie bei staubigen Bedingungen die Oberflächen leicht.
- Verwenden Sie die Verlängerung der Düse, so dass der Luftstrom nah am Boden arbeiten kann.
- Legen Sie das Gebläse nicht auf oder in die Nähe losen Kehrgruts. Das Kehrgrut könnte in den Lufteinlass gesaugt werden und möglicherweise das Gerät beschädigen.

SAUGER SICHERHEITSWARNUNGEN

⚠ WARNUNG

Benutzen Sie den Sauger niemals mit nur dem oberen Saugrohr montiert. Die Gefahr von Verletzungen wird erheblich vergrößert, wenn Sie diese Warnung nicht beachten.

- Verwenden Sie den Sauger niemals, solange der Saugbeutel nicht montiert ist. Umherfliegendes Kehrgrut kann schwere Verletzungen verursachen. Stellen Sie vor der Benutzung sicher, dass der Reißverschluss des Saugbeutels vollständig geschlossen ist.
- Führen Sie den Sauger von Seite zu Seite entlang dem äußeren Rand des Kehrgruts. Halten Sie zur Vermeidung von Verstopfungen das Saugerrohr nicht direkt in den Kehrgruthaufen hinein.
- Halten Sie den Motor höher als der Eingang des Saugerrohrs.
- Richten Sie das Saugrohr bei der Arbeit in einer Hanglage immer hangabwärts.
- Vermeiden Sie schwere Verletzungen des Benutzers und eine Beschädigung



des Geräts, indem Sie keine Steine, zerbrochenes Glas, Flaschen oder andere ähnliche Objekte aufsaugen.

- Vermeiden Sie Situationen, die dazu führen könnten, dass der Saugerbeutel Feuer fängt. Nicht in der Nähe einer offenen Flamme verwenden. Saugen Sie niemals heiße Asche aus Kaminen, Grills, Kehrhaufen usw. Saugen Sie niemals weggeworfene Zigarren oder Zigaretten auf, sofern diese nicht vollständig ausgekühlt sind.

TRANSPORT UND LAGERUNG

- Stoppen Sie das Produkt, trennen Sie es von dem Stromnetz und lassen Sie es abkühlen, bevor Sie es lagern oder transportieren.
- Entfernen Sie alle Fremdkörper vom Produkt. Lagern Sie das Gerät an einem trockenen und gut belüfteten Ort, der Kindern keinen Zugang bietet. Vom korrodierend wirkenden Stoffen, wie Gartenchemikalien und Enteisungssalzen, fernhalten. Nicht im Freien lagern.
- Sichern Sie das Produkt beim Transport gegen Bewegung oder fallen, um Verletzungen und Beschädigung des Produktes zu verhindern.

WARTUNG UND PFLEGE

⚠ WARNUNG
Verwenden Sie ausschließlich original Ersatzteile, Zubehör und Aufsätze des Herstellers. Nichtbefolgung kann mögliche Verletzungen oder schlechte Leistung verursachen und Ihre Garantie ungültig machen.

⚠ WARNUNG
Service und Wartung des Gerätes erfordert besonderen Sorgfalt und Kenntnisstand und sollte nur durch qualifiziertes Personal durchgeführt werden. Wir empfehlen zu diesem Zweck das Produkt umgehend an einen autorisierten Kundendienst zur Reparatur zu senden. Beim Service sollten Sie nur originale Ersatzteile benutzen.

- Sie dürfen die die in dieser Bedienungsanleitung beschriebenen Einstellungen und Reparaturen durchführen. Kontaktieren Sie Ihren autorisierten Kundendienst für andere Reparaturen.
- Reinigen Sie das Produkt nach jeder Benutzung mit einem weichen, trockenen Lappen.
- Überprüfen Sie Bolzen, Muttern und Schrauben immer wieder ob alles fest angezogen wird so dass das Produkt in einem sicheren Zustand ist. Jedes beschädigte Teil sollte durch den autorisierten Kundendienst ordnungsgemäß repariert oder ausgetauscht werden.
- Versuchen Sie niemals die Verriegelung der Schutzvorrichtung außer Kraft zu setzen.

RESTRISIKEN:

Auch wenn das Produkt wie vorgeschrieben benutzt wird, ist es unmöglich ein gewisses Restrisiko vollständig zu beseitigen. Die folgenden Gefahren können bei der Benutzung entstehen, und der Benutzer sollte besonders auf folgende Punkte achten:

- Durch Vibrationen verursachte Verletzungen. Benutzen Sie immer das richtige Werkzeug für die Aufgabe. Benutzen Sie die vorgesehenen Griffe und schränken die Arbeitszeit und Exposition ein.
- Lärm kann zu Gehörschäden führen. Tragen Sie einen Gehörschutz und schränken Sie die Belastung ein.
- Verletzung durch fliegende Gegenstände in dem Luftstrom des Gebläserohrs oder der Abluft, wenn der Beutel nicht montiert oder beschädigt ist. Tragen Sie immer einen angemessenen Augenschutz.

RISIKOVERRINGERUNG

Vibrationen von in der Hand gehaltenen Werkzeugen können bei einigen Personen zu einem Zustand, der Raynaud-Syndrom genannt wird, führen. Symptome sind u.a. Kribbeln, Taubheitsgefühl und episodische

- EN
- FR
- DE**
- ES
- IT
- NL
- PT
- DA
- SV
- FI
- NO
- RU
- PL
- CS
- HU
- RO
- LV
- LT
- ET
- HR
- SL
- SK
- BG
- UK
- TR



Weißfärbung der Finger und treten normalerweise bei Kälte auf. Man geht davon aus, dass ererbte Faktoren, Kälte und Feuchtigkeit, Essgewohnheiten, Rauchen und Arbeitsweise zur Entwicklung dieser Symptome beitragen. Der Anwender kann Maßnahmen ergreifen, um die Auswirkungen der Vibrationen möglicherweise zu verringern:

- Halten Sie den Körper bei Kälte warm. Tragen Sie beim Betrieb des Gerätes Handschuhe, um Hände und Handgelenke warm zu halten. Berichten zu Folge ist kaltes Wetter ein wesentlicher Faktor, der zum Raynaud Syndrom beiträgt.
- Betätigen Sie sich nach jedem Einsatz in körperliche Bewegung, um den Blutkreislauf zu steigern.
- Machen Sie regelmäßige Pausen. Beschränken Sie die Beanspruchung pro Tag.

Sollten bei Ihnen Symptome dieses Zustands auftreten, stellen Sie unverzüglich den Betrieb ein und suchen Sie in Hinsicht auf die Symptome einen Arzt auf.

⚠️ WARNUNG

Verletzungen können durch lange Benutzung eines Werkzeugs entstehen oder verschlimmert werden. Machen Sie regelmäßig Pause, wenn Sie ein Werkzeug für lange Zeit benutzen.

MACHEN SIE SICH MIT IHREM PRODUKT VERTRAUT

Siehe Seite 164.

1. Lüfterabdeckung
2. Oberes Saugrohr
3. Unteres Saugrohr
4. Führungsrollen
5. Hochgeschwindigkeitsdüse
6. Unteres Gebläserohr
7. Oberes Gebläserohr
8. Saugerbeutel
9. Beuteladapter
10. Blas-/Saugmodus Wählhebel
11. Vorderer Haltegriff
12. Drehzahlwähler

13. Hinterer Haltegriff

14. Ein/Ausschalter

SYMBOLE AUF DEM PRODUKT



Lesen und verstehen Sie alle Anweisungen, bevor Sie das Produkt benutzen, befolgen Sie alle Warnungen und Sicherheitsanweisungen.



Achten Sie auf geschleuderte oder fliegende Objekte.

Halten Sie alle Zuschauer, besonders Kinder und Haustiere, mindestens 15 m von dem Arbeitsbereich fern.



Rotierende Ventilatoren.

Halten Sie Hände und Füße von den Öffnungen fern während das Produkt in Betrieb ist.



Tragen Sie einen Gehörschutz



Tragen Sie einen Augenschutz



Nicht Regen oder feuchten Bedingungen aussetzen.



Ausschalten: ziehen Sie den Netzstecker, bevor Sie reinigen oder Wartungsarbeiten durchführen.



Trennen Sie vor Wartungsarbeiten den Stecker sofort vom Stromnetz, oder falls das Kabel beschädigt oder geschnitten ist.



Dieses Gerät entspricht allen gesetzlichen Normen des Landes der europäischen Union, in dem es gekauft wurde.



Klasse II Werkzeug, doppelte Isolation



Elektrische Geräte sollten nicht mit dem übrigen Müll entsorgt werden. Bitte entsorgen Sie diese an den entsprechenden Entsorgungsstellen. Wenden Sie sich an die örtliche Behörde oder Ihren Händler, um Auskunft über die Entsorgung zu erhalten.



Der garantierte Schalleistungspegel beträgt 108 dB(A).



Gebläsebetrieb



Saugbetrieb



Ukrainisches Prüfzeichen



EurAsian Konformitätszeichen

SYMBOLE IN DIESER BEDIENUNGSANLEITUNG



Anschließen an das Stromnetz



Trennen vom Stromnetz



Hinweis



Warnung

Mit den folgenden Symbolen wird die Bedeutung der verschiedenen Risikostufen, die mit dem Produkt einhergehen, dargestellt.

⚠ **GEFAHR**

Weist auf eine unmittelbare gefährliche Situation hin, die bei Missachtung zu Tod oder ernsthafter Verletzung führen kann.

⚠ **WARNUNG**

Weist auf eine mögliche gefährliche Situation hin, die bei Missachtung zu Tod oder ernsthafter Verletzung führen kann.

Seguridad, desempeño y fiabilidad han sido las prioridades en el diseño de su soplador/aspirador eléctrico.

USO PREVISTO

Este producto sólo está destinado para usar al aire libre.

Este producto no debe ser utilizado por niños o personas con discapacidad física, mental o sensorial.

El producto está diseñado para soplar restos de suciedad ligeros, incluidas las hojas, la hierba y otros residuos de jardinería. Como se describe anteriormente, está pensada para aspirar y triturar los restos y depositarlos en la bolsa de recogida. No está diseñado para absorber o aspirar agua u otros líquidos.

⚠ ADVERTENCIA

Al utilizar el producto, deben seguirse las normas de seguridad. Por su propia seguridad y la de los transeúntes, debe leer y comprender todas estas instrucciones antes de empezar a utilizar el aparato. Guarde las instrucciones para usarlas en el futuro.

⚠ ADVERTENCIA

Este producto no debe ser utilizado por niños o personas con discapacidad física, mental o sensorial. Los niños deben estar adecuadamente supervisados para asegurarse de que no juegan con el producto.

ALERTA DE SEGURIDAD GENERAL

APRENDIZAJE

- Lea las instrucciones cuidadosamente. Familiarícese con los controles y el uso adecuado del producto.
- Nunca deje que utilicen este aparato niños, personas con capacidad física, sensorial o mental reducida, personas sin experiencia ni conocimientos ni personas que no estén familiarizadas con estas instrucciones. Las regulaciones locales pueden restringir la

edad del operario.

- Tenga presente que el operario o usuario es responsable de los accidentes o riesgos que le puedan ocurrir a otras personas o a su propiedad.
- Mantenga a los transeúntes, a los niños y a los animales a 15 m de distancia de la zona de operación. Apague el aparato si alguien entra en el área.
- No utilice el producto cuando esté cansado, enfermo o bajo la influencia del alcohol, las drogas o medicamentos.

SEGURIDAD ELÉCTRICA

- Los enchufes deben ser adecuados para la toma de corriente. No modifique el enchufe de ninguna manera. No utilice ningún adaptador con herramientas eléctricas conectadas a tierra. Utilizar enchufes sin modificar y tomas correspondientes reducirán el riesgo de descargas eléctricas.
- Evite el arranque no intencionado. Compruebe siempre que el interruptor está en la posición OFF antes de conectar el producto a la fuente de alimentación. No lleve un producto enchufado con su dedo en el interruptor.
- Evite el contacto corporal con superficies conectadas a tierra, como tuberías, radiadores, estufas y refrigeradores. Existe un mayor riesgo de descargas eléctricas si su cuerpo está conectado a tierra.
- No exponga este producto a la lluvia o humedad. Si entra agua en el aparato, esto aumentará el riesgo de descargas eléctricas.
- El suministro eléctrico debería efectuarse mediante un dispositivo de corriente residual (RDC) con una corriente activa no superior a 30 mA.
- Antes de cada uso, examine el cable para ver si está dañado. Si están dañadas, sustitúyalas cuanto antes. Desenrolle siempre el cable durante el uso, los cables enrollados pueden sobrecalentarse.
- Si necesita utilizar un cable de prolongación asegúrese de que es adecuado para



usarlo en el exterior y de que tiene una capacidad de corriente suficiente para su herramienta. El cable de prolongación deberá llevar la marca “H05 RN F” o “H05 VV F”. Antes de cada uso compruebe que el cable de prolongación no está dañado. Mantenga siempre el cable de prolongación desenrollado mientras lo utiliza ya que los cables enrollados pueden sobrecalentarse. Los alargadores no deben repararse, deben sustituirse por otros que sean equivalentes.

- Asegúrese de que el cable de alimentación está situado de tal manera que no se pisará, estorbará ni estará sometido a daños o molestias.
- No coja ni lleve el producto por el cable eléctrico.
- No tire del cable de alimentación para desconectarlo del suministro eléctrico.
- Mantenga el cable eléctrico lejos de fuentes de calor, aceite y bordes afilados.
- Coloque siempre el cable en la parte trasera a cierta distancia del producto.
- Asegúrese de que el voltaje es adecuado para su producto. Una placa de identificación en el producto indica el voltaje de la unidad. No conecte el producto a un voltaje de CA que no se corresponda con su voltaje.
- Asegúrese de que el interruptor está en posición Apagado antes de desconectarlo del suministro eléctrico.

PREPARACIÓN

- Algunas regiones tienen normativas que restringen el uso del producto para algunas operaciones. Consulte con su autoridad local para obtener información.
- Mientras esté manipulando el producto, use siempre calzado sólido y pantalones largos. No utilice la máquina si está descalzo o lleva sandalias. Evite llevar ropa suelta, con cordones o corbata, ya que podría engancharse en las partes móviles.
- No lleve ropa suelta ni abalorios que pueda

absorber la entrada de aire.

- Recoja el cabello largo para que quede por encima del nivel de los hombros y evitar así que se enmarañe en cualquier pieza móvil.
- Lleve puesta una protección para los oídos en todo momento mientras maneja el aparato. El producto es extremadamente ruidoso y puede provocar lesiones de audición permanentes si no se respetan estrictamente las instrucciones para limitar la exposición, reducir el ruido y utilizar protección auditiva.
- Lleve puesta una protección total para los ojos en todo momento mientras maneja este aparato. El fabricante recomienda encarecidamente el uso de una máscara completa o de unas gafas protectoras totalmente cerradas. Las gafas normales o de sol no son una protección adecuada. En cualquier momento, los objetos pueden salir despedidos a gran velocidad debido al potente chorro de aire y pueden rebotar en superficies duras hacia el operador.
- Antes de cada uso, asegúrese de que todos los controles y dispositivos de seguridad funcionan correctamente. No utilice el aparato si el interruptor “off” no para el motor.
- Antes de cada uso, realice una inspección visual para comprobar que los instrumentos de cizallamiento, sus pernos y otras sujeciones están bien ajustados (si procede), que la cubierta no está dañada y que las protecciones y mangos están correctamente colocados.
- Lleve el aparato a un centro de asistencia autorizado para sustituir las etiquetas dañadas o ilegibles.
- No haga funcionar el producto con cubiertas o protecciones defectuosas, o sin dispositivos de seguridad, por ejemplo, sin el colector de desechos en su lugar.
- Mantenga todos los orificios de refrigeración libres de cualquier residuo.
- Use rastrillos y escobas para soltar los escombros antes de soplar/aspirar.



- Limpie el área de trabajo antes de cada uso. Retire todos los objetos como piedras, cristales rotos, clavos, alambre o cuerda que puedan volar a una distancia considerable a alta velocidad.
- Utilice el producto solo sobre una superficie firme y nivelada.

⚠ ADVERTENCIA

Antes de utilizar el aparato en modo de aspiración debe unir los tubos de aspiración superior e inferior como se muestra en la página 165. Se trata de una operación única. Nunca utilice el aspirador teniendo colocado únicamente el tubo de vacío superior. El riesgo de lesiones corporales aumentará significativamente si no respeta esta advertencia.

UTILIZACIÓN

- Si el cable resulta dañado durante el uso, desconecte el cable de la fuente de alimentación de inmediato. **No toque el cable antes de desconectar la corriente.** No utilice la máquina si el cable está dañado o gastado.
- Utilice la máquina sólo a horas razonables - no muy temprano por la mañana o tarde por la noche cuando pueda molestar a otras personas.
- No utilice el producto en atmósferas explosivas.
- Evite utilizar el aparato en malas condiciones atmosféricas, especialmente cuando haya riesgo de relámpago.
- No trabaje con esta herramienta en una zona mal iluminada. El operador debe tener una visión clara de la zona de trabajo para identificar peligros potenciales.
- El uso de dispositivos de protección auditiva reducirá su capacidad para oír posibles advertencias (gritos o alarmas). El operador debe prestar atención extra a lo que está sucediendo en el área de trabajo.
- No se distraiga y siempre esté concentrado en lo que está haciendo. Tenga en cuenta y piense bien el efecto de sus acciones.
- Utilizar herramientas similares a poca distancia aumenta tanto el riesgo de lesión auditiva como el riesgo potencial de que otras personas accedan a su área de trabajo.
- Mantenga su pisada firme y su equilibrio. No se extienda demasiado. Si lo hace, podrá perder el equilibrio.
- Asegúrese siempre de mantener el equilibrio y de no situarse en pendientes. Camine, nunca corra.
- Mantenga las piezas en movimiento alejadas de su cuerpo. Las aspas de rotación del impulsor pueden causar lesiones graves. Detenga el producto y asegúrese de que las aspas del impulsor han dejado de girar antes de abrir la cubierta del ventilador o al instalar o cambiar los tubos, abrir o retirar la bolsa de basura.
- Nunca utilice la unidad sin los accesorios correctos. Cuando se utilice como soplador, instale siempre los tubos del soplador y cierre la cubierta del ventilador. Cuando se utilice como aspirador, instale siempre los tubos y la bolsa para el aspirador.
- No modifique la herramienta de modo alguno ni utilice piezas o accesorios que no sean los recomendados por el fabricante.

⚠ ADVERTENCIA

Si el aparato se cae, sufre un impacto fuerte o empieza a vibrar de manera anormal, párelo inmediatamente y compruebe si está dañado o identifique el motivo de la vibración. La reparación de daños y la sustitución de piezas deben ser realizadas por un centro de servicio autorizado.

- Para reducir el riesgo de lesiones asociado a las piezas giratorias de contacto, pare siempre el aparato, desenchúfelo de la toma de corriente y asegúrese de que todas las partes móviles se han parado completamente:
 - antes de limpiar o despejar una obstrucción
 - cuando deje el aparato desatendido

- antes de colocar o quitar accesorios.
- antes de inspeccionar, mantener o trabajar con el producto
- compruebe que el producto no presenta daños después de golpear un objeto extraño
- si el producto empieza a vibrar de forma anormal (comprobar inmediatamente)

⚠ ADVERTENCIA

Su sopladora/aspiradora puede suministrarse con un arnés. Ajuste con cuidado el arnés para ayudarle a soportar el peso del producto más cómodamente. Identifique el mecanismo de liberación rápida y practique utilizándolo antes de empezar a usar la máquina. Su uso correcto puede evitar lesiones graves en caso de emergencia. No use ropa adicional sobre el arnés, ya que podría limitar el acceso al mecanismo de liberación rápida.

ADVERTENCIAS DE SEGURIDAD DEL SOPLADOR

- Use una máscara de filtro en condiciones en las que haya mucho polvo para reducir el riesgo de lesiones asociadas con la inhalación de polvo.
- No dirija la boquilla del soplador hacia personas o animales domésticos.
- No coloque objetos dentro de los tubos del soplador.
- No maneje la máquina cerca de ventanas abiertas.
- Humedezca ligeramente las superficies cubiertas de polvo.
- Use la extensión completa de la boquilla del soplador para que el flujo de aire pueda funcionar cerca del suelo.
- No coloque el soplador sobre o cerca de restos sueltos de basura. Los restos de basura pueden ser absorbidos por el orificio de entrada de aire dañando como resultado la unidad.

AVISOS DE SEGURIDAD DEL ASPIRADOR

⚠ ADVERTENCIA

Nunca utilice el aspirador teniendo colocado únicamente el tubo de vacío superior. El riesgo de lesiones corporales aumentará significativamente si no respeta esta advertencia.

- No opere el aspirador sin el conjunto de la bolsa instalado; los restos de suciedad pueden provocar daños al volar. Asegúrese de que la bolsa está completamente cerrada antes de operar.
 - Mueva el aspirador de un lado a otro a lo largo del borde exterior de la suciedad. Para evitar atascos, no coloque el tubo del aspirador directamente en el montón de escombros.
 - Mantenga el motor más alto que el extremo de la entrada de aire del tubo del aspirador.
 - Dirija siempre el tubo del aspirador hacia abajo cuando trabaje en una superficie inclinada.
 - Para evitar lesiones graves al operador o daños en la unidad, no intente aspirar piedras, cristales rotos, botellas u otros objetos similares.
 - Evite las situaciones que podrían implicar un riesgo de incendio de la bolsa para el aspirador. No utilice la herramienta cerca de una llama expuesta. No aspire cenizas calientes de chimeneas, barbacoas, maleza apilada, etc. No aspire cigarrillos desechados a menos que las cenizas se hayan enfriado completamente.
- #### TRANSPORTE Y ALMACENAMIENTO
- Pare el aparato, desenchúfelo de la toma y deje que se enfríe antes de guardarlo o transportarlo.
 - Limpie todo el material extraño que pueda permanecer en el producto. Guarde en una zona seca y bien ventilada, a la que no puedan acceder los niños. Evite el contacto con agentes corrosivos tales

como productos químicos de jardinería o sales descongelantes. No almacenar al aire libre.

- Para el transporte, asegure el producto para que no se mueva ni se caiga y evitar así lesionar a alguien o dañar el producto.

MANTENIMIENTO

⚠ ADVERTENCIA

Utilice sólo piezas y accesorios de recambio originales del fabricante. Si no lo hace podría ocurrir un mal funcionamiento, podrían producirse daños o podría quedar anulada la garantía.

⚠ ADVERTENCIA

Las reparaciones requieren tener mucho cuidado y conocimiento y sólo debe realizarse por un técnico de servicio calificado. Para obtener servicio, le sugerimos que devuelva el producto al centro de servicio autorizado más cercano para reparación. Al realizar una reparación, sólo use piezas de reemplazo idénticas.

- Usted puede realizar los ajustes y reparaciones descritos en este manual del usuario. Para otro tipo de reparaciones póngase en contacto con un agente de servicios autorizado.
- Limpiar el producto con un paño suave seco después de cada uso.
- Verifique a intervalos frecuentes si todas las tuercas, pernos y tornillos están apretados apropiadamente para asegurarse de que el producto esté en buenas condiciones de trabajo. Cualquier pieza dañada debe ser sustituida o reparada adecuadamente por un centro de servicio autorizado.
- No intente forzar el dispositivo de seguridad de la cubierta.

RIESGOS RESIDUALES:

Incluso cuando se utiliza el producto según las instrucciones, sigue siendo imposible eliminar por completo ciertos factores de riesgo

residuales. Los siguientes peligros pueden surgir en el uso y el operador debe prestar especial atención para evitar lo siguiente:

- Lesiones por vibración. Utilice siempre la herramienta adecuada para el trabajo. Utilice los mangos pertinentes y limite el tiempo de trabajo y de exposición.
- La exposición al ruido puede causar pérdidas de audición. Use protección para los oídos y limite el tiempo de exposición.
- Puede haber lesiones causadas por objetos proyectados por el flujo de aire del tubo del soplador o del escape del aspirador, si la bolsa no está instalada o dañada. Lleve puesta la protección ocular adecuada en todo momento.

REDUCCIÓN DEL RIESGO

Se ha informado de que las vibraciones de las herramientas de mano puede contribuir a una condición llamada síndrome de Raynaud en ciertos individuos. Los síntomas pueden incluir hormigueo, entorpecimiento y decoloración de los dedos, generalmente aparentes cuando tiene lugar una exposición al frío. Se considera que los factores hereditarios, exposición al frío y a la humedad, dieta, tabaquismo y prácticas de trabajo contribuyen al desarrollo de estos síntomas. Existen medidas que pueden ser tomadas por el operador para reducir los efectos de vibración:

- Mantenga su cuerpo caliente durante el tiempo frío. Al manipular el producto, utilice guantes para mantener las manos y las muñecas calientes. Hay informes que indican que el tiempo frío es un gran factor que contribuye al síndrome de Raynaud.
- Después de cada período de funcionamiento, realice ejercicios para aumentar la circulación sanguínea.
- Haga pausas de trabajo frecuentes. Limite la cantidad de exposición por día.

Si siente alguno de los síntomas de esta enfermedad, interrumpa inmediatamente el uso y consulte a su médico estos síntomas.

⚠ ADVERTENCIA

El uso prolongado de una herramienta puede causar o agravar lesiones. Al utilizar cualquier herramienta durante períodos prolongados asegúrese de tomar descansos regulares.

CONOZCA SU PRODUCTO

Véase la página 164.

1. Cubierta del ventilador
2. Tubo superior del aspirador
3. Tubo inferior del aspirador
4. Ruedas de guía
5. Boquilla de alta velocidad
6. Tubo inferior del soplador
7. Tubo superior del soplador
8. Bolsa del aspirador
9. Adaptador de la bolsa
10. Palanca de selección del modo soplador/aspirador
11. Mango delantero
12. Selector de velocidades
13. Mango trasero
14. Gatillo de encendido/apagado (On/Off)

SÍMBOLOS EN EL PRODUCTO



Lea y comprenda todas las instrucciones antes de manipular el producto, respete las advertencias y las instrucciones de seguridad.



Tenga cuidado con los objetos volátiles o lanzados. Mantenga a todos los espectadores, especialmente a los niños y las mascotas, por lo menos a 15 metros de la zona de trabajo.



Ventiladores de rotación. Mantenga las manos y los pies apartados de las aberturas mientras el aparato está en funcionamiento.



Use protección auditiva



Utilice protección ocular



No la exponga a la lluvia o a lugares húmedos.



Apagar: desenchufe el aparato antes de realizar cualquier tarea de mantenimiento o de limpieza.



Retire el enchufe de la corriente inmediatamente antes de realizar cualquier mantenimiento o si el cable está dañado o cortado.



Esta herramienta responde a todas las normas reglamentarias del país de la UE donde se ha comprado.



Herramienta de tipo II, doble aislamiento



Los productos eléctricos de desperdicio no deben desecharse con desperdicios caseros. Por favor recíclelos donde existan dichas instalaciones. Compruebe con su autoridad local o minorista para reciclar.



El mejor nivel de potencia sonora es de 108 dB



Modo de soplador



Modo de aspiración



Marca de conformidad ucraniana



Certificado EAC de conformidad

SÍMBOLOS EN ESTE MANUAL



Conectar a la toma de corriente



Desconectar de la toma de corriente



Observación



Advertencia

Los siguientes símbolos y palabras detallan los niveles de cuidado necesarios para usar este producto.

⚠ PELIGRO

Indica una situación potencialmente peligrosa que, de no evitarse, puede ocasionar la muerte o heridas de gravedad.

⚠ ADVERTENCIA

Indica una situación peligrosa que, de no evitarse, puede ocasionar la muerte o heridas de gravedad.

⚠ ADVERTENCIA

Indica una situación potencialmente peligrosa que, de no evitarse, puede ocasionar heridas leves.

ADVERTENCIA

Sin símbolo de alerta de seguridad

Indica una situación que puede causar daños en las cosas.

E' stata data massima priorità a sicurezza, prestazioni e affidabilità nel design di questo soffiatore/aspiratore elettrico.

UTILIZZO RACCOMANDATO

Prodotto indicato solo per l'utilizzo all'esterno. Prodotto non inteso per essere utilizzato da bambini o persone con ridotte capacità fisiche, mentali o sensoriali.

Prodotto adatto a soffiare detriti leggeri come foglie, erba, e altri scarti da giardino. Utensile adatto ad aspirare e tritare leggermente detriti come descritto sopra e depositarli nel sacchetto di raccolta. Non è adatto ad aspirare o succhiare acqua o altri liquidi.

⚠ AVVERTENZA

Quando si utilizza questo prodotto, seguire eventuali norme di sicurezza. Per la sicurezza dell'utente e quella degli osservatori, leggere e comprendere le istruzioni prima di mettere in funzione il prodotto. Conservare le istruzioni per eventuali riferimenti futuri.

⚠ AVVERTENZA

Prodotto non inteso per essere utilizzato da bambini o persone con ridotte capacità fisiche, mentali o sensoriali. Supervisionare adeguatamente i bambini per assicurarsi che non giochino con il prodotto.

AVVERTENZE GENERALI DI SICUREZZA

UTILIZZO

- Leggere attentamente le istruzioni. Familiarizzare con i comandi e il corretto utilizzo del prodotto.
- Non lasciare mai che bambini, persone con ridotte capacità fisiche, sensoriali o mentali o mancanza di esperienza e conoscenza o persone non familiari con queste istruzioni utilizzino il prodotto. Leggi locali possono limitare l'età dell'operatore.
- Ricordare che l'operatore sarà responsabile di eventuali lesioni o danni a persone o cose.

- Tenere osservatori, bambini e animali ad almeno 15 metri di distanza dall'area delle operazioni. Arrestare il prodotto nel caso in cui eventuali osservatori entrino nell'area di lavoro.
- Non utilizzare il prodotto se stanchi, malati o sotto l'influenza di alcool, droghe o medicinali.

SICUREZZA ELETTRICA

- Le prese dell'alimentazione devono essere compatibili con la spina. Non modificare la spina in alcun modo. Non utilizzare spine adattatrici con elettrotensili con messa a terra (presa di terra). Spine non modificate e prese corrispondenti ridurranno il rischio di scosse elettriche.
- Non mettere in funzione accidentalmente l'utensile. Controllare sempre che l'interruttore sia in posizione Off (spento) prima di collegare il prodotto all'alimentazione. Non trasportare mai il prodotto con il dito sull'interruttore.
- Evitare il contatto del corpo con superfici con messa a terra come tubi, radiatori, piani cottura e refrigeratori. Rischio aumentato di scosse elettriche se il corpo viene collegato con messa a terra.
- Non esporre il prodotto a pioggia o umidità. Si aumenterà il rischio di scosse elettriche nel caso in cui l'acqua entri nel dispositivo.
- La corrente elettrica dovrà essere fornita attraverso un dispositivo di corrente residua (RCD) con una corrente di scatto non superiore a 30 mA.
- Prima di ogni utilizzo, controllare il cavo dell'alimentazione per evidenziare eventuali danni. Se appaiono danneggiate, richiederne l'immediata sostituzione. Srotolare sempre il cavo prima dell'uso, cavi arrotolati possono surriscaldarsi.
- Prima di utilizzare una prolunga assicurarsi che sia adatta all'utilizzo in esterni e che abbia la capacità nominale sufficiente per l'utensile. La prolunga dovrà essere marcata con "H05 RN F" o "H05 VV F". Controllare che il cavo della prolunga non presenti danni prima di ogni utilizzo.

Srotolare sempre il cavo della tensione durante l'utilizzo dal momento che cavi arrotolati potranno surriscaldarsi. Cavi di prolughe danneggiati non devono essere riparati, devono essere sostituiti con un tipo equivalente.

- Assicurarsi che il cavo dell'alimentazione sia posizionato in modo che l'operatore non vi passi sopra, non vi inciampi o non sia altrimenti soggetto a danni o stress.
- Non prendere né trasportare mai il prodotto dal cavo elettrico.
- Non scollegare mai l'utensile tirando il cavo dalla presa.
- Tenere il cavo lontano da fonti di calore, olio ed angoli appuntiti.
- Spostare sempre il cavo verso la parte posteriore del prodotto.
- Assicurarsi che il voltaggio sia corretto per il prodotto. Una targhetta sul prodotto indica il voltaggio dell'unità. Non collegare il prodotto a voltaggio AC diverso dal voltaggio del presente prodotto.
- Assicurarsi che l'interruttore sia su OFF (spento) prima di scollegarlo dall'alimentazione.

PREPARAZIONE

- In alcune regioni norme specifiche limitano l'utilizzo del prodotto ad alcune operazioni. Rivolgersi alle autorità locali per eventuali consigli.
- Mentre si mette in funzione il prodotto indossare sempre calzature resistenti e pantaloni lunghi. Non mettere in funzione l'utensile se scalzi o se si indossano sandali. Evitare di indossare abbigliamento con parti svolazzanti o con cordicelle o cordini pendenti; tali elementi potranno infatti rimanere impigliati nelle parti in movimento.
- Non indossare abiti con parti svolazzanti o gioielli che potranno essere aspirati nelle griglie dell'aria.
- Assicurare i capelli lunghi al di sopra delle spalle per evitare che rimangano impigliati nelle parti in movimento.

- Indossare sempre cuffie per le orecchie mentre si mette in funzione il prodotto. Il prodotto è estremamente rumoroso e potrà causare lesioni permanenti all'udito se le istruzioni riguardanti il limite all'esposizione, la riduzione del rumore e le cuffie di protezione non verranno seguite.
- Indossare sempre la protezione completa occhi mentre si utilizza questo prodotto. La ditta produttrice raccomanda di utilizzare una maschera per il volto o visiere ermeticamente chiuse. Normali occhiali scuri o da sole non costituiscono una protezione adeguata. Oggetti potranno essere scagliati ad alta velocità dal potente getto d'aria in un qualsiasi momento e potranno essere scagliati da superfici dure contro l'operatore.
- Assicurarsi prima di ciascun utilizzo che tutti i comandi e i dispositivi di sicurezza funzionino correttamente. Non utilizzare l'utensile se l'interruttore "off" (spento) non arresta il motore.
- Prima di ogni utilizzo, controllare i dispositivi di triturazione e i bulloni degli stessi e verificare che altri dispositivi di blocco siano assicurati (ove applicabile), controllare che la sede non sia danneggiata e che gli schermi di protezione e i manici siano correttamente montati al loro posto.
- Riportare presso un centro servizi autorizzato per sostituire le etichette danneggiate o illeggibili.
- Non mettere in funzione il prodotto senza schermi o protezioni o senza dispositivi di sicurezza come per esempio sacchetti per la raccolta di detriti.
- Rimuovere eventuale materiale di scarto dalle griglie dell'aria.
- Utilizzare rastrelli e scope per rimuovere i detriti prima di svolgere operazioni di soffiatura/aspiratura.
- Pulire l'area di lavoro prima di ogni utilizzo. Rimuovere tutti gli oggetti come rocce, vetri rotti, chiodi, cavi, o fili che potranno essere soffiati via da aria ad alta velocità.
- Mettere in funzione il prodotto sempre

su una superficie stabile e perfettamente equilibrata.

▲ AVVERTENZA

Prima di utilizzare il prodotto in modalità aspirazione si dovranno montare i tubi di aspirazione superiori e inferiori assieme come indicato a pagina 165. Questa è un'operazione da svolgersi una sola volta. Non mettere in funzione l'aspiratore montando solo il tubo superiore per l'aspirazione. Il rischio di lesioni alla persona aumenta in maniera significativa se non si seguono queste avvertenze.

UTILIZZO

- Nel caso in cui un cavo venga danneggiato durante l'utilizzo, scollegare il cavo dall'alimentazione immediatamente. **Non toccare il cavo prima di scollegarlo dall'alimentazione elettrica.** Non utilizzare l'utensile se il cavo è danneggiato o usurato.
- Mettere in funzione l'utensili a orari ragionevoli – mai al mattino presto o a tarda sera per non disturbare altre persone.
- Non mettere mai in funzione il prodotto in un'atmosfera esplosiva.
- Evitare di utilizzare il prodotto in cattive condizioni climatiche soprattutto in caso di rischi di fulmini.
- Norme di sicurezza generali non utilizzare questo apparecchio in una zona scarsamente illuminata. L'area di lavoro deve essere pulita per essere in grado di individuare potenziali rischi.
- L'utilizzo di dispositivi di protezione ridurrà la capacità di ascoltare eventuali segnali d'allarme (grida o avvertimenti). L'operatore dovrà prestare attenzione a ciò che accade nella zona di lavoro.
- Non venire distratti e concentrarsi sempre su ciò che si sta facendo. Pensare e considerare l'effetto delle proprie azioni attentamente.
- Mettere in funzione utensili simili troppo vicino al proprio corpo aumenterà il rischio

di lesioni all'udito e i rischi potenziali per le persone che entrano nell'area di lavoro.

- Mantenere sempre un appoggio saldo e l'equilibrio. Non protendersi. Protendersi potrà causare una perdita di equilibrio.
- Mantenere l'equilibrio su terreni in discesa. Camminare, non correre mai.
- Tenere tutte le parti del proprio corpo lontane dalle parti in movimento. Le lame rotanti possono causare gravi lesioni personali. Arrestare il prodotto e assicurarsi che le lame del girante abbiano spesso di ruotare prima di aprire il coperchio della ventola, e di installare o cambiare tubi, aprire o rimuovere il sacchetto di detriti.
- Non avviare l'utensile senza gli accessori corretti. Quando utilizzato come soffiatore, montare sempre i tubi del soffiatore e chiudere il coperchio della ventola. Quando si mette in funzione l'unità nella modalità aspiratore, installare i tubi dell'aspiratore e il sacchetto.
- Non modificare l'utensile in alcun modo né utilizzare parti e accessori non raccomandati dalla ditta produttrice.

▲ AVVERTENZA

Se il prodotto cade, subisce impatti pesanti o inizia a vibrare in maniera anomala, arrestarlo e controllare eventuali danni per identificare la causa delle vibrazioni. Riparare eventuali danni o far sostituire i pezzi da un centro servizi autorizzato.

- Per ridurre il rischio di lesioni associate con le parti rotanti in contatto, arrestare sempre il prodotto, scollegarlo dall'alimentazione e assicurarsi che tutte le parti in movimento si arrestino:
 - prima di svolgere operazioni di pulizia o rimuovere un blocco
 - quando si lascia il prodotto incustodito
 - prima di montare o rimuovere accessori
 - prima di svolgere operazioni di controllo, manutenzione o lavoro sul prodotto
 - per controllare il prodotto e rilevare eventuali danni dopo aver colpito un

corpo estraneo

- se il prodotto inizia a vibrare in maniera anormale (controllare immediatamente)

▲ AVVERTENZA

Il soffiatore/aspiratore può essere fornito con una cinghia. Regolare attentamente la cinghia per aiutare a sostenere in maniera comoda il peso del prodotto.

Identificare il meccanismo a rilascio veloce e fare pratica nell'utilizzarlo prima di mettere in funzione la macchina. L'utilizzo corretto può prevenire gravi lesioni in caso d'emergenza. Non indossare mai altri capi di abbigliamento sulla cinghia in caso contrario limitare l'accesso al meccanismo a rilascio veloce.

AVVERTENZE DI SICUREZZA SOFFIATORE

- Se l'utilizzo dell'apparecchio produce polvere, indossare una maschera in grado di filtrare le particelle della polvere per evitare i rischi legati all'inalazione di polveri nocive.
- Non rivolgere la bocca del soffiatore verso persone o animali domestici.
- Non posizionare oggetti nei tubi del soffiatore.
- Non mettere in funzione accanto a finestre.
- Inumidire le superfici con una leggera presenza di polvere.
- Utilizzare come estensione un ugello a totale soffiatura in modo che il flusso d'aria possa funzionare vicino al suolo.
- Non posizionare il soffiatore su o accanto a detriti molto piccoli. Detriti molto piccoli potranno essere aspirati nelle griglie di aspirazione causando gravi danni all'unità.

AVVERTENZE DI SICUREZZA SOFFIATORE

▲ AVVERTENZA

Non mettere in funzione l'aspiratore montando solo il tubo superiore per l'aspirazione. Il rischio di lesioni alla persona aumenta in maniera significativa se non si seguono queste avvertenze.

- Non mettere in funzione l'aspiratore senza aver prima installato un sacchetto di raccolta; i detriti scagliati dall'utensile potranno causare gravi lesioni. Assicurarsi che il sacchetto di raccolta sia completamente chiuso prima di mettere in funzione l'utensile.
- Muovere l'aspiratore da un lato all'altro lungo il margine esterno dei detriti aspirati. Per evitare blocchi, non posizionare il tubo dell'aspirazione direttamente nella pila dei detriti.
- Reggere il motore in una posizione più alta rispetto all'ingresso del tubo di aspirazione.
- Puntare sempre il tubo dell'aspiratore in basso mentre si lavora su un pendio.
- Per evitare gravi lesioni all'operatore o danni all'unità, non tentare di aspirare rocce, vetri rotti, bottiglie, o altri oggetti simili.
- Evitare le situazioni in cui il sacco di raccolta potrebbe incendiarsi. Non utilizzare questo apparecchio nelle vicinanze di una fiamma libera. Non aspirare ceneri ancora calde di camini, barbecue, ecc. Non aspirare mozziconi di sigari o di sigarette ancora incandescenti.

TRASPORTO E RIPONIMENTO

- Arrestare il prodotto, scollegarlo dalla presa principale e lasciarlo raffreddare prima di riporlo o di trasportarlo.
- Rimuovere eventuali materiali di scarto dal prodotto. Riporre in un luogo asciutto e ben ventilato non accessibile ai bambini. tenerlo a distanza da agenti corrosivi, come le sostanze chimiche per il giardinaggio e il

fondente chimico. Non riporre all'esterno.

- Per il trasporto, assicurare il prodotto contro ogni movimento o contro eventuali cadute per evitare lesioni a persone o danni al prodotto.

MANUTENZIONE

⚠ AVVERTENZA

Utilizzare solo parti di ricambio, accessori e dispositivi originali della ditta produttrice. In caso contrario si potranno causare lesioni, prestazioni basse e la garanzia verrà invalidata.

⚠ AVVERTENZA

Le operazioni di manutenzione devono essere svolte con grande attenzione e accortezza solo da un tecnico qualificato. Si consiglia di riportare l'utensile al più vicino centro assistenza autorizzato per farlo riparare. Quando l'attrezzo viene riparato, utilizzare solo ricambi identici.

- L'operatore potrà fare le regolazioni e riparazioni descritte nel presente manuale. Per ulteriori riparazioni, contattare il centro servizi autorizzato.
- Dopo ogni uso, pulire il prodotto con una panno morbido e asciutto.
- Controllare frequentemente dadi, bulloni e viti, verificando che siano stati assicurati correttamente per fare in modo che il prodotto garantisca condizioni di lavoro ottimali. Riparare eventuali parti danneggiate o farle sostituire da un centro servizi autorizzato.
- Non tentare di bypassare il dispositivo di interblocco sullo schermo di protezione.

RISCHI RESIDUI:

Anche quando il prodotto viene utilizzato come indicato, è impossibile eliminare completamente alcuni fattori di rischio residuo. Si potranno verificare i seguenti rischi durante l'utilizzo e l'operatore dovrà prestare attenzione speciale per evitare quanto segue:

- Lesioni causate da vibrazioni. Utilizzare sempre l'utensile adatto per svolgere il lavoro. Utilizzare i manici appositi e limitare le ore di lavoro e l'esposizione.
- L'esposizione al rumore può causare lesioni all'udito. Indossare cuffie di protezione e limitare l'esposizione.
- Si potranno ricevere lesioni da oggetti scagliati dal flusso dell'aria o da scarichi dell'aspiratore se il sacchetto non è stato installato o è danneggiato. Indossare sempre protezione occhi adeguata.

RIDUZIONE DEL RISCHIO

Si è accertato che le vibrazioni causate da utensili a mano possono contribuire a causare una condizione chiamata Sindrome di Raynaud in alcune persone. I sintomi, comprendenti formicolio, intorpidimento e perdita di colore alle dita, si verificano di solito quando ci si espone al freddo. Fattori ereditari, esposizione a freddo e umidità, una dieta scorretta, fumo e condizioni di lavoro non sicure potranno contribuire allo sviluppo di questi sintomi. È possibile prendere delle precauzioni per ridurre le vibrazioni:

- Tenere il corpo al caldo a basse temperature. Quando si utilizza il prodotto indossare guanti per tenere le mani e i polsi caldi. Le basse temperature contribuiscono a causare la Sindrome di Raynaud.
- Dopo aver utilizzato l'utensile per un certo periodo, fare degli esercizi per stimolare la circolazione del sangue.
- Fare spesso delle pause. Limitare la quantità di esposizione giornaliera.

Nel caso in cui si provino i sintomi di questa condizione, interrompere immediatamente l'utilizzo dell'utensile e consultare un dottore.

⚠ AVVERTENZA

Il prolungato utilizzo dell'utensile potrà causare o aggravare lesioni. Quando si utilizza questo utensile per periodi di tempo prolungati, assicurarsi di fare sempre delle pause regolari.

FAMILIARIZZARE CON IL PRODOTTO

Vedere pagina 164.

1. Coperchio ventola
2. Tubo aspiratore superiore
3. Abbassae il tubo dell'aspiratore
4. Ruote di guida
5. Ugello ad alta velocità
6. Abbassare il tubo del soffiatore
7. Tubo soffiatore superiore
8. Sacchetto aspiratore
9. Adattatore sacchetto
10. Leva selezione modalità soffiatore/ aspiratore
11. Manico anteriore
12. Selezionatore di velocità
13. Manico posteriore
14. Grilletto On/Off (Acceso/Spento)

SIMBOLI SUL PRODOTTO



Leggere e comprendere tutte le istruzioni prima di mettere in funzione il prodotto, seguire tutte le istruzioni e le avvertenze di sicurezza.



Fare attenzione ad oggetti scagliati o lanciati dall'utensile. Tenere lontani tutti gli osservatori, soprattutto bambini e animali, ad almeno 15 m dalla zona di funzionamento.



Ventole rotanti. Tenere mani e piedi lontani dalle aperture mentre il prodotto è in funzione.



Indossare cuffie di protezione



Indossare dispositivi di protezione occhi



Non esporre a pioggia o umidità.



Spegnere: rimuovere la spina dall'alimentazione principale prima di svolgere le operazioni di pulizia o manutenzione



Rimuovere la spina immediatamente prima delle operazioni di manutenzione o se il cavo è tagliato o danneggiato.



Questo apparecchio è conforme a tutte le norme vigenti nel paese dell'UE in cui è stato acquistato.



Utensile di Classe II, isolamento doppio



I prodotti elettrici non devono essere smaltiti con i rifiuti domestici. Vi sono strutture per smaltire tali prodotti. Informarsi presso il proprio Comune o rivenditore di sicurezza per smaltire adeguatamente tali rifiuti.



Il livello di potenza sonora garantito è 108 dB



Modalità aspiratore



Modalità aspiratore



Marchio di conformità ucraino



Marchio di conformità EurAsian

SIMBOLI NEL PRESENTE MANUALE



Collegare alla presa dell'alimentazione



Scollegare dalla presa dell'alimentazione



Nota:



Avvertenze

I seguenti simboli indicano i livelli di rischio associati a questo prodotto.

PERICOLO

Indica una situazione pericolosa che, se non evitata attentamente, potrà causare gravi lesioni alla persona o morte.

AVVERTENZA

Indica una situazione potenzialmente pericolosa che, se non evitata attentamente, potrà causare gravi lesioni alla persona o morte.

ATTENZIONE

Indica una situazione potenzialmente pericolosa che, se non evitata attentamente, potrà causare lesioni minori o moderate alla persona.

ATTENZIONE

Senza simbolo di allerta di sicurezza

Indica una situazione che potrà risultare in gravi danni a cose.

Veiligheid, prestaties en betrouwbaarheid kregen topprioriteit in het ontwerp van uw elektrische blazer/zuiger.

VOORGESCHREVEN GEBRUIK

Het product is uitsluitend geschikt voor buitenshuis gebruik.

Het product is niet geschikt voor gebruik door kinderen of personen met verminderde fysieke, mentale of zintuigelijke vermogens.

Het product is bedoeld om lichte afval, zoals bladeren, gras en ander tuinafval, te blazen. Het is bedoeld om te zuigen en afval te mulchen, zoals hierboven beschreven, en in de verzamelzak af te voeren. Het is niet ontworpen om water of andere vloeistoffen op te zuigen.

⚠ WAARSCHUWING

Wanneer u het product gebruikt, moeten de veiligheidsregels worden opgevolgd. Voor uw eigen veiligheid en deze van omstaanders, moet u deze instructies lezen en begrijpen voor u het product gebruikt. Bewaar de instructies voor later gebruik.

⚠ WAARSCHUWING

Het product is niet geschikt voor gebruik door kinderen of personen met verminderde fysieke, mentale of zintuigelijke vermogens. Kinderen moeten onder toezicht staan om ervoor te zorgen dat ze niet met het product spelen.

ALGEMENE VEILIGHEIDSWAARSCHUWINGEN

OPLEIDING

- Lees zorgvuldig de instructies. Wees vertrouwd met de bedieningen en het correct gebruik van het product.
- Laat kinderen, personen met verminderde fysieke, zintuigelijke of mentale vermogens of een gebrek aan ervaring of kennis of mensen die niet vertrouwd zijn met deze gebruiksaanwijzingen, het product niet gebruiken. De plaatselijke wetgeving kan

beperkingen opleggen i.v.m. de leeftijd van de bediener.

- Hou er rekening mee dat de bediener of gebruiker verantwoordelijk is voor ongevallen of gevaren t.o.v. anderen of hun eigendom.
- Houd omstaanders, kinderen en huisdieren op tenminste 15 m afstand van het werkgebied. Leg het product stil als iemand het werkgebied betreedt.
- Gebruik het product nooit als u moe of ziek bent of onder de invloed van alcohol, drugs of medicijnen staat.

ELEKTRISCHE VEILIGHEID

- De stekker moet overeenkomen met de contactdoos. Wijzig de stekker nooit. Gebruik geen adapters met geaarde elektrische werktuigen. Niet-gewijzigde stekkers en overeenkomstige contactdozen zullen het risico op elektrische schok verminderen.
- Voorkom ongewild starten. Controleer altijd of de schakelaar zich in de uitstand bevindt voor u het product met de contactdoos verbindt. Draag het product niet met de stekker in het stopcontact en uw vinger op de schakelaar.
- Vermijd lichaamscontact met een geaard oppervlak, zoals buizen, radiatoren, kookfornuizen en koelkasten. Er bestaat een verhoogd risico voor elektrische schokken als uw lichaam is geaard.
- Stel het product niet bloot aan regen of natte omstandigheden. Water dat in het apparaat binnensijpelt verhoogt het risico voor elektrische schok.
- Elektrische stroom moet via een aardlekschakelaar (RCD) worden geleverd met een uitschakelstroom van niet meer dan 30 mA.
- Voor elk gebruik controleert u het stroomsnoer op schade. Bij beschadiging moeten zij onmiddellijk worden vervangen. Ontrol het stroomsnoer altijd tijdens gebruik, opgerolde snoeren kunnen oververhitten.
- Als u een verlengsnoer moet gebruiken,



zorgt u ervoor dat het geschikt is voor buitenshuis gebruik en een stroomvoercapaciteit heeft die volstaat om uw werktuig aan te drijven. Het verlengsnoer moet gemarkeerd zijn met "H05 RN F" of "H05 VV F". Controleer het verlengsnoer voor elk gebruik op schade. Ontrol het verlengsnoer altijd tijdens gebruik omdat opgerolde kabels kunnen oververhitten. Beschadigde verlengsnoeren mogen niet worden hersteld, maar moeten door een gelijkaardig type worden vervangen.

- Zorg ervoor dat het stroomsnoer zo is geplaatst dat men er niet kan op stappen, over kan struikelen of het op een andere manier wordt blootgesteld aan stress of schade.
- Til het product nooit op aan de elektrische kabel of draag het nooit aan de elektrische kabel.
- Trek nooit aan het stroomsnoer om van de stroomtoevoer te ontkoppelen.
- Houd het stroomsnoer weg van hitte, olie en scherpe randen.
- Richt het snoer altijd naar de achterkant, weg van het product.
- Zorg ervoor dat de spanning correct is voor uw product. Een naamplaatje op het product duidt de spanning van het toestel aan. Verbind het product nooit met een AC-spanning die verschilt van deze spanning.
- Zorg ervoor dat de schakelaar zich in de Off-positie bevindt voor u de machine van de stroombron ontkoppelt.

VOORBEREIDING

- In enkele streken gelden regels die het gebruik van het product tot enkele handelingen beperken. Raadpleeg uw lokale autoriteit voor advies.
- Terwijl u het product bedient, draagt u altijd stevig schoeisel en een lange broek. Gebruik de machine wanneer u blootsvoets bent of open sandalen draagt. Vermijd het dragen van losse kledij of kledij met loshangende snoeren; ze kunnen verstrikt raken in de bewegende delen.

- Draag geen losse kledij of juwelen die in de luchtinlaat kunnen worden ingetrokken.
- Maak lang haar vast boven schouderhoogte om te voorkomen dat het verstrikt raakt in de bewegende delen.
- Draag steeds gehoorbescherming terwijl u dit product gebruikt. Het product is heel luidruchtig en kan leiden tot permanente gehoorschade als de instructies ter beperking van de blootstelling, geluiddemping en het dragen van gehoorbescherming niet worden nageleefd.
- Draag steeds volledige gezichtsbescherming terwijl u dit product gebruikt. De fabrikant raadt ten zeerste het gebruik aan van een volledig gezichtsmasker of een gesloten veiligheidsbril. Een normale bril of zonnebril is geen afdoende bescherming. Voorwerpen kunnen tegen hoge snelheid door een krachtige luchtstoot worden weggeslingerd en vanaf een hard oppervlak in de richting van de bediener worden teruggestuurd.
- Controleer voor elk gebruik of alle bedieningsknoppen en veiligheidsinrichtingen goed functioneren. Gebruik het product niet als de "uit"-knop de motor niet stillegt.
- Voor elk gebruik dient u visueel te controleren dat de verhakselaar, verhakselbouten en andere verbinders veilig zijn vastgemaakt (indien van toepassing), de behuizing onbeschadigd is en de beschermers en handvatten correct zijn geïnstalleerd.
- Raadpleeg een geautoriseerd servicecentrum om beschadigde of onleesbare etiketten te vervangen.
- Gebruik het product nooit met een defecte beschermer of schild of zonder veiligheidsvoorzieningen, bijvoorbeeld een afvalcollector.
- Houd alle koelluchtinlaten vrij van afval.
- Gebruik harken en bezems om restafval los te maken voordat u gaat blazen/zuigen.
- Maak voor elk gebruik de werkplek vrij.

| |
|-----------|
| EN |
| FR |
| DE |
| ES |
| IT |
| NL |
| PT |
| DA |
| SV |
| FI |
| NO |
| RU |
| PL |
| CS |
| HU |
| RO |
| LV |
| LT |
| ET |
| HR |
| SL |
| SK |
| BG |
| UK |
| TR |



Verwijder alle objecten, zoals stenen, gebroken glas, nagels, ijzerdraad of kunststof draad, die een aanzienlijke afstand en hard kunnen worden weggeblazen.

- Gebruik het product uitsluitend op een stevig, effen oppervlak.

WAARSCHUWING

Voor u het product in de zuigmodus gebruikt, moet u de bovenste en onderste zuigbuizen monteren, zoals getoond op pagina 165. Dit is een eenmalige handeling. Gebruik de zuiger nooit wanneer alleen de bovenste zuigbuis is gemonteerd. Het risico op lichamelijke letsels wordt hoger als u deze waarschuwing niet opvolgt.

BEDIENING

- Als het snoer tijdens het gebruik beschadigd raakt, trekt u onmiddellijk de stekker uit de contactdoos. **Raak het snoer niet aan voor u de stroomtoevoer hebt ontkoppeld.** Gebruik de machine niet als het snoer versleten of beschadigd is.
- Gebruik de machine uitsluitend op redelijke tijdstippen – niet heel vroeg op de ochtend of 's avonds laat als dit mensen kan hinderen.
- Gebruik het product nooit in een explosieve atmosfeer.
- Vermijd gebruik van het product bij slecht weer, vooral als er gevaar voor bliksem bestaat.
- Gebruik dit apparaat niet op plekken waar u niet goed kunt zien. De gebruiker heeft een duidelijk overzicht nodig van het werkgebied om mogelijke gevaren te identificeren.
- Het gebruik van gehoorbescherming vermindert de mogelijkheid om waarschuwingen (verbaal of alarmeren) te horen. De gebruiker moet extra aandacht hebben voor wat er op de werkplaats gebeurt.
- Laat u niet afleiden en concentreer altijd op wat u doet. Denk aan en

overweeg zorgvuldig de gevolgen van uw handelingen.

- Het gebruik van gelijksoortige apparaten in de nabijheid verhoogt het risico van letsel en de mogelijkheid dat er andere mensen in uw werkgebied komen.
- Bewaar steeds een stevige houvast en goed evenwicht. Overrek u niet. Rek u niet uit, waardoor u uw evenwicht kunt verliezen.
- Zorg ervoor dat u altijd stevig vast staat op hellingen. Stap altijd, loop nooit.
- Houd alle lichaamsdelen weg van de bewegende delen. Ronddraaiende rotorbladen kunnen ernstige letsels veroorzaken. Leg het product stil en zorg ervoor dat de schoepen zijn stilgevallen voor u het ventilatordeksel opent, buizen installeert of vervangt of de afvalzak opent of verwijdert.
- Laat het toestel nooit werken wanneer de geschikte uitrusting niet werd bevestigd. Indien gebruikt als blazer, installeert u de blazerbuizen altijd en sluit u het ventilatiedeksel. Wanneer het toestel als zuiger wordt gebruikt, installeer dan altijd de zuigkokers en een opvangzak.
- Het apparaat op geen enkele wijze aanpassen of reserveonderdelen gebruiken die niet worden aanbevolen door de fabrikant.

WAARSCHUWING

Als u het product laat vallen, het een ernstige impact ondergaat of abnormaal begint te trillen, legt u het product onmiddellijk stil en controleert u het op schade of zoekt u naar de oorzaak van de trillingen. Enige schade moet direct worden gerepareerd of vervangen door een bevoegd onderhoudscentrum.

- Om het risico op letsels te vermijden die verbonden zijn met contact met bewegende delen, legt u het product altijd stil, trekt u de stekker uit de contactdoos en zorgt u ervoor dat alle bewegende delen volledig zijn stilgevallen.

- voor u een blokkering reinigt of weghaalt
- wanneer u het product onbeheerd achterlaat
- voor u voorzetstukken installeert of verwijdert
- voor het controleren, onderhouden of werken aan het product.
- om het product op schade te inspecteren nadat het met een vreemd voorwerp in contact is geweest.
- als het product abnormaal begint te trillen (onmiddellijk controleren)

⚠ WAARSCHUWING

Uw blazer/zuiger kan voorzien zijn van een harnas. Stel het harnas voorzichtig af om op een comfortabele manier te helpen het gewicht van het product te dragen.

Zoek het snelle ontgrendelmechanisme en oefen dit voor u de machine begint te gebruiken. Een goed gebruik kan ernstig letsel vermijden bij een noodgeval. Draag nooit kleding over het harnas of kleding dat de toegang tot de snelsluiting beperkt.

VEILIGHEIDSWAARSCHUWINGEN VOOR DE BLAZER

- Draag een mondmasker in stofferige omstandigheden om het risico op letstels verbonden met het inademen van stof, te verminderen.
- Richt de blazermond nooit in de richting van mensen of huisdieren.
- Plaats nooit objecten in de blaasbuizen.
- Gebruik de machine niet in de buurt van een open raam.
- Bevochtig de oppervlakken iets in stoffige omstandigheden.
- Gebruik het volledige spruitstuk van de blazer zodat de luchtstroom dicht bij de grond kan werken.
- Plaats de blazer niet boven op of in de buurt van losse afvalstukken. Het afval kan in de inlaatopening worden gezogen waardoor deze mogelijk beschadigd raakt.

VEILIGHEIDSWAARSCHUWINGEN VOOR DE ZUIGER

⚠ WAARSCHUWING

Gebruik de zuiger nooit wanneer alleen de boveste zuigbuis is gemonteerd. Het risico op lichamelijke letsels wordt hoger als u deze waarschuwing niet opvolgt.

- Gebruik de zuiger niet zonder dat de vacuümzak is geplaatst; rondvliegend afval kan ernstig letsel veroorzaken. Controleer of de vacuümzak volledig dicht is gerist voordat u het apparaat gaat gebruiken.
- Beweeg de zuiger van links naar rechts en terug langs de buitenzijde van de afval. Om opstopping te voorkomen, plaatst u de zuigbuis niet rechtstreeks in de afvalhoop.
- Houd de motor hoger dan het inlaatuiteinde van de zuigbuis.
- Richt de zuigkoker altijd naar beneden wanneer u op een heuvel werkt.
- Om ernstig letsel van de gebruiker of schade aan het apparaat te voorkomen, geen stenen, gebroken glas, flessen of gelijksoortige objecten opzuigen.
- Vermijd situaties die ertoe kunnen leiden dat de opvangzak vuur vat. Gebruik het toestel niet in de buurt van een open vlam. Zuig geen warme as uit een open haard, barbecueput, houthopen, enz. Zuig geen weggegooide sigaren of sigaretten op tenzij de as volledig koud is.

TRANSPORT EN OPSLAG

- Leg het product stil, trek de stekker uit de contactdoos en laat afkoelen voor het opbergen of transporteren.
- Verwijder alle vreemde voorwerpen van het product. Bewaar op een koele, droge en goed geventileerde plaats die niet toegankelijk is voor kinderen. Houd corrosieve producten, zoals tuinchemicaliën en strooizout uit de buurt van het apparaat. Bewaar niet buitenshuis.
- Voor transport beveiligd u het product tegen bewegen of vallen om lichamelijke letsels of schade aan het product te voorkomen.

ONDERHOUD

⚠ WAARSCHUWING

Gebruik uitsluitend originele vervangonderdelen, accessoires en voorzetstukken van de fabrikant. Als u dit niet doet, kan dit mogelijks letsels of slechte prestaties veroorzaken waardoor uw garantie kan vervallen.

⚠ WAARSCHUWING

Het onderhoud vereist extreme voorzichtigheid en deskundigheid en mag enkel door een gekwalificeerde onderhoudstechnicus worden uitgevoerd. Wij raden u aan het toestel voor herstellingen naar uw dichtstbijzijnde erkende onderhoudsdienst terug te brengen. Gebruik voor het onderhoud alleen identieke vervangingsonderdelen.

- U kunt de afstellingen en reparaties die in deze gebruiksaanwijzing worden vermeld, uitvoeren. Voor andere herstellingen, neemt u contact op met uw geautoriseerd onderhoudsagent.
- Na elk gebruik, reinigt u het product met een zachte, droge doek.
- Controleer regelmatig of alle moeren, bouten en vijzen goed zijn vastgemaakt om zeker te zijn dat het product veilig kan worden gebruikt. Een beschadigd onderdeel moet door een geautoriseerd onderhoudscentrum goed worden gerepareerd of vervangen.
- Probeer het vergrendelmechanisme van de beschermer nooit te blokkeren.

RESTRISICO'S

Zelfs wanneer het product zoals voorgeschreven wordt gebruikt, is het nog steeds onmogelijk om bepaalde restrisico's volledig te elimineren. De volgende gevaren kunnen zich voordoen tijdens het gebruik en de gebruiker dient in het bijzonder aandacht te hebben om de volgende situaties te vermijden:

- Letsels veroorzaakt door trillingen. Gebruik altijd het juiste gereedschap voor de taak. Gebruik de toegewezen handvaten en beperk de gebruikstijd en blootstelling.
- Blootstelling aan geluid kan gehoorletsels veroorzaken. Draag gehoorbescherming en beperk de blootstelling.
- Letsel mogelijk door vliegende objecten door de luchtstroom van de blaasbuis of vacuümitlaat als de zak niet is geplaatst of beschadigd is. Draag steeds aangepaste gezichtsbescherming.

RISICOBEPERKING

Er zijn meldingen dat trillingen van handwerktuigen bij sommige mensen bijdragen tot het Syndroom van Raynaud. Symptomen kunnen ondermeer tintelingen, gevoelloosheid en bleek worden van de vingers omvatten, wat normaal gezien duidelijk wordt bij blootstelling aan koude. Erfelijke factoren, blootstelling aan koude en vocht, dieet, roken en werkroutine kunnen allemaal bijdragen tot de ontwikkeling van deze symptomen. Er kunnen door de bediener maatregelen worden genomen om de gevolgen van de trillingen te beperken:

- Houd bij koud weer uw lichaam warm. Draag handschoenen terwijl u het product gebruikt om de handen en polsen warm te houden. Men neemt aan dat koud weer een belangrijke factor is die bijdraagt tot het Syndroom van Raynaud.
- Doe oefeningen om de bloeddoorstroming te bevorderen na elke periode van gebruik.
- Neem regelmatig een pauze. Beperk het aantal uren dat u per dag wordt blootgesteld.

Wanneer u enige van de symptomen van deze aandoening ervaart, stop dan onmiddellijk met het gebruik van het toestel en raadpleeg uw dokter

⚠ WAARSCHUWING

Letsels kunnen worden veroorzaakt of ernstiger worden door verlengd gebruik van een werktuig. Als u een werktuig gedurende langere periodes gebruikt, neem dan regelmatig pauze.

KEN UW PRODUCT

Zie pagina 164.

1. Ventilatie-deksel
2. Bovenste zuigerbuis
3. Onderste zuigbuis
4. Geleiderwielen
5. Mondstuk voor hoge snelheid
6. Onderste blaasbuis
7. Bovenste blazerbuis
8. Zuigzak
9. Zakadapter
10. Blazer-/zuigermodus selectiehendel
11. Voorste handvat
12. Snelheidsselector
13. Achterste handvat
14. Aan-/uithendel

SYMBOLEN OP HET PRODUCT



Lees en begrijp alle instructies voor u het product bedient, volg alle waarschuwingen en veiligheidsinstructies.



Houd rekening met weggeslingerde of rondvliegende voorwerpen. Houd alle omstanders, in het bijzonder kinderen en huisdieren, op tenminste 15m afstand van het werkgebied.



Roterende ventilatoren. Houd handen en voeten weg van openingen terwijl het product loopt.



Draag gehoorbescherming



Draag gezichtsbescherming



Stel niet bloot aan regen of vocht.



Schakel het product uit, trek de stekker uit de contactdoos voor reiniging of onderhoud.



Verwijder onmiddellijk de stekker uit de contactdoos voor onderhoudswerken of wanneer het snoer is beschadigd of doorsneden.



Dit apparaat voldoet aan alle geldende normen van Lid-Staat van de Europese Unie waar het werd gekocht.



Klasse II-apparaat, dubbele isolatie



Elektrisch afval mag niet samen met ander huishoudafval worden weggegooid. Gelieve te recycleren indien de mogelijkheid bestaat. Neem contact op met uw lokaal bestuur of handelaar om advies te krijgen over recyclage.



Het gegarandeerde geluidsniveau bedraagt 108 dB.



Bazermodus



Zuigmodus



Oekraïens conformiteitssymbool



EurAsian-symbool van overeenstemming

SYMBOLEN IN DEZE GEBRUIKSAANWIJZING



Met een contactdoos verbinden



Trek uit de contactdoos



Opmerking



Waarschuwing

De volgende kernwoorden en verklaringen zijn bedoeld om de gevareniveaus die op dit toestel betrekking hebben, te verklaren.

⚠ GEVAAR

Wijst op een gevaarlijke situatie die, als ze niet wordt voorkomen, dodelijk kan zijn of ernstige verwondingen kan veroorzaken.

⚠ WAARSCHUWING

Wijst op een mogelijks gevaarlijke situatie die, als ze niet wordt voorkomen, dodelijk kan zijn of ernstige verwondingen kan veroorzaken.

⚠ LET OP

Wijst op een mogelijks gevaarlijke situatie die, als ze niet wordt voorkomen, kleine of middelmatige verwondingen kan veroorzaken.

LET OP

Zonder veiligheidswaarschuwingssymbool
Wijst op een situatie die kan leiden tot materiële schade.

Segurança, desempenho e fiabilidade foram as prioridades na concepção do seu soprador/aspirador eléctrico.

USO PREVISTO

Este produto destina-se exclusivamente a ser utilizado ao ar livre.

O produto não deve ser utilizado por crianças nem por pessoas com capacidades físicas, mentais ou sensoriais reduzidas.

O produto destina-se a soprar detritos leves, incluindo folhas, grama e outros resíduos de jardim. Como se descreve anteriormente, está pensada para aspirar e triturar os restos e depositá-los na bolsa de recolha. Não se destina a sugar ou aspirar água ou outro líquido.

⚠ ADVERTÊNCIA

Ao utilizar o produto, devem seguir-se as normas de segurança. Para sua própria segurança e a dos transeuntes, deve ler e compreender todas estas instruções antes de começar a utilizar o aparelho. Guarde as instruções para usá-las no futuro.

⚠ ADVERTÊNCIA

O produto não deve ser utilizado por crianças nem por pessoas com capacidades físicas, mentais ou sensoriais reduzidas. As crianças devem ser mantidas sob vigilância adequada para se garantir que não brincam com o produto.

AVISOS GERAIS DE SEGURANÇA

FORMAÇÃO

- Leia as instruções com atenção. Familiarize-se com os controlos e a utilização adequada do aparelho.
- Nunca deixe que o aparelho seja utilizado por crianças, pessoas com capacidade física, sensorial ou mental reduzida, pessoas sem experiência nem conhecimentos nem pessoas que não estejam familiarizadas com estas instruções. A legislação local pode restringir a idade do operador.

- Mantenha em mente que o operador ou o utilizador é responsável pelos acidentes ou perigos que ocorrem a outras pessoas ou à sua propriedade.
- Mantenha os transeuntes, as crianças e os animais a 15 m de distância da zona de operação. Desligue o aparelho se alguém entrar na área.
- Não utilize o produto quando estiver cansado, doente ou sob a influência do álcool, drogas ou medicamentos.

SEGURANÇA ELÉCTRICA

- As ligações devem ser adequadas para a tomada de corrente. Nunca altere a ficha seja de que maneira for. Não use quaisquer fichas adaptadoras com ferramentas de ligação com terra. As fichas não modificadas e tomadas compatíveis reduzirão o risco de choque eléctrico.
- Evite um arranque inesperado. Verifique sempre se o interruptor está na posição OFF (desligado) antes de ligar o produto à corrente eléctrica. Não transporte um produto ligado com o dedo no interruptor.
- Evite o contacto do corpo com superfícies com ligação terra ou enterradas, tais como tubos, radiadores, fogões e frigoríficos. Há um aumento do risco de choque eléctrico se o seu corpo estiver ligado à terra.
- Não exponha este produto à chuva ou humidade elevada. Se entrar água no aparelho, isto aumentará o risco de descargas eléctricas.
- O fornecimento eléctrico deveria efectuar-se através de um dispositivo de corrente residual (RDC) com uma corrente activa não superior a 30 mA.
- Antes de cada uso, examine o cabo para ver se está danificado. Se estiverem danificadas, mande substituí-las imediatamente. Desenrole sempre o cable durante o uso, os cabos enrolados podem sobreaquecer.
- Se necessitar utilizar um cabo de prolongamento assegure-se de que é adequado para usá-lo no exterior e de que tem uma capacidade de corrente suficiente

para a sua ferramenta. O cabo de prolongamento deverá levar a marca “H05 RN F” ou “H05 VV F”. Antes de cada uso verifique que o cabo de prolongamento não está danificado. Mantenha sempre o cabo de prolongamento desenrolado enquanto o utiliza porque os cabos enrolados podem sobreaquecer. Os alargadores não devem ser reparados, devem ser substituídos por outros que sejam equivalentes.

- Assegure-se de que o cabo de alimentação está situado de tal maneira que não se pisará, estorvará nem estará submetido a danos ou incómodos.
- Não pegue nem leve o produto pelo cabo eléctrico.
- Não pegue no cabo de alimentação para desligá-lo do fornecimento eléctrico.
- Mantenha o cabo eléctrico afastado do calor, óleo e pontas afiadas.
- Direcione sem o cabo para trás afastando-o do produto.
- Assegure-se de que a voltagem é adequada para o seu produto. Uma placa de identificação no produto indica a voltagem da unidade. Não ligue o produto a uma voltagem de CA que não corresponda à sua voltagem.
- Assegure-se de que o interruptor está em posição Desligado antes de desligar do fornecimento eléctrico.

PREPARAÇÃO

- Algumas regiões têm normas que restringem o uso do produto para algumas operações. Consulte a sua autoridade local para obter informação.
- Durante o funcionamento do produto, use sempre calçado forte e calças longas. Não opere a máquina se estiver descalço ou se usar sandálias. Evite usar roupa larga com cordões ou gravata, porque poderá encravar nas partes móveis.
- Não use roupa larga nem missangas que possam ir para entrada de ar.
- Prenda o cabelo comprido para que fique acima do nível dos ombros para evitar que

fique emaranhado em peças móveis.

- Coloque sempre uma proteção para os ouvidos enquanto manipula este aparelho. O produto é extremamente ruidoso e pode provocar lesões de audição permanentes se não se respeitarem estritamente as instruções para limitar a exposição, reduzir o ruído e utilizar proteção auditiva.
- Coloque sempre uma proteção total para os olhos enquanto manipula este aparelho. O fabricante recomenda encarecidamente o uso de uma máscara completa ou de umas luvas protetoras totalmente fechadas. Os óculos normais ou de sol não são uma proteção adequada. Em qualquer momento, os objetos podem ser projetados a grande velocidade devido ao potente jorro de ar e podem fazer ricochete em superfícies duras em direção ao operador.
- Certifique-se antes de cada uso que todos os controlos e dispositivos de segurança funcionam corretamente. Não utilize o aparelho se o interruptor “off” não parar o motor.
- Antes de cada uso, realize uma inspeção visual para verificar que os instrumentos de retalhas, os seus pernos e outras fixações estão bem ajustados (se for aplicável), que a cobertura não está danificada e que as proteções e punhos estão corretamente colocados.
- Devolva o aparelho a um centro de assistência autorizado para substituir etiquetas danificadas ou ilegíveis.
- Nunca coloque o produto a funcionar com proteções ou defesas defeituosas ou sem dispositivos de segurança, por exemplo coletor de detritos no sítio.
- Mantenha as entradas de ar para arrefecimento sem obstruções.
- Use ancinhos e vassouras para soltar os detritos antes de soprar/aspirar.
- Desimpeça a área onde pretende trabalhar antes de cada utilização. Remova todos os objetos como pedras, cacos de vidro, pregos, arame ou fios que possam ser projetados a uma distância considerável

pelo ar de alta velocidade.

- Utilize o produto apenas sobre uma superfície firme e nivelada.

⚠ ADVERTÊNCIA

Antes de utilizar o aparelho em modo de aspiração deve unir os tubos de aspiração superior e inferior como se mostra na página 165. Trata-se de uma operação única. Nunca utilize o aspirador tendo colocado apenas o tubo de vácuo superior. O risco de lesões corporais aumentará significativamente se não respeitar este aviso.

UTILIZAÇÃO

- Se o cabo ficar danificado durante a utilização, desconecte imediatamente o cabo da tomada. **Não toque no cabo antes de o desligar da corrente.** Não utilize a máquina se o cabo estiver danificado ou gasto.
- Opere a máquina apenas em horas convenientes – não cedo de manhã ou tarde à noite, quando as pessoas podem ser perturbadas.
- Nunca opere o aparelho num ambiente explosivo.
- Evite utilizar o aparelho em más condições atmosféricas, especialmente quando houver risco de relâmpago.
- Não utilize esta ferramenta numa zona com pouca luz. O operador necessita de uma visão clara da área de trabalho para identificar potenciais perigos.
- O uso da protecção auditiva reduz a sua capacidade de ouvir avisos (gritos ou alarmes). O operador deve prestar atenção extra àquilo que está a acontecer na área de trabalho.
- Não se desconcentre e concentre-se sempre no que está a fazer. Tenha em conta e pense bem no efeito das suas ações.
- Operar ferramentas similares nas proximidades aumenta tanto o risco de lesão auditiva e o potencial para outras

pessoas entrarem na sua área de trabalho.

- Mantenha-se bem apoiado e equilibrado. Não se aproxime em demasia. Tentar esticar-se demais pode provocar a perda de equilíbrio.
- Certifique-se sempre onde põe os pés em sítios inclinados. Ande e nunca corra.
- Mantenha qualquer peça em movimento longe do seu próprio corpo. As pás impulsoras em rotação podem provocar lesões graves. Pare o produto e verifique que as lâminas do impulsor deixaram de rodar antes de abrir a cobertura do ventilador ou ao instalar ou mudar os tubos, abrir ou retirar a bolsa de detritos.
- Nunca opere a unidade sem o equipamento apropriado instalado. Quando usado como um soprador, instale sempre os tubos de sopro e feche a cobertura do ventilador. Quando usado como um aspirador, instale sempre os tubos de aspiração e o saco de aspiração.
- Não modifique a máquina em qualquer forma nem use peças e acessórios que não sejam recomendados pelo fabricante.

⚠ ADVERTÊNCIA

Se o aparelho cair, sofrer um impacto forte ou começar a vibrar de maneira anormal, pare-o imediatamente e verifique se está danificado ou identifique o motivo da vibração. Qualquer dano deve ser devidamente reparado ou substituído por um centro de assistência autorizado.

- Para reduzir o risco de lesões associado às peças giratórias de contacto, pare sempre o aparelho, desligue-o da tomada de corrente e assegure-se de que todas as partes móveis pararam completamente:
 - antes de limpar ou despejar uma obstrução
 - quando deixar o aparelho sem ninguém
 - antes de colocar ou tirar acessórios.
 - antes de verificar, fazer a manutenção ou funcionar com o produto
 - verifique que o produto não apresenta

danos depois de golpear um objeto estranho

- se o produto começar a vibrar de forma anormal (verifique imediatamente)

⚠ ADVERTÊNCIA

O seu aparelho soprador/aspirador pode ser fornecido com um arnês. Ajuste com cuidado o arnês para ajudá-lo a suportar o peso do produto mais comodamente.

Identifique o mecanismo de liberação rápida e pratique utilizando-o antes de começar a usar a máquina. A sua utilização correta pode prevenir lesões graves em caso de uma emergência. Nunca use roupas adicionais sobre o arnês nem restrinja, de outro modo, o acesso ao mecanismo de liberação rápida.

AVISOS DE SEGURANÇA DO SOPRADOR

- Use uma máscara de filtro de rosto em condições de poeira para reduzir o risco de lesão associada à inalação de pó.
- Não aponte o soprador na direção de pessoas ou animais de estimação.
- Nunca coloque objetos dentro dos tubos do soprador.
- Não utilize a máquina junto a janelas abertas.
- Humedeça ligeiramente as superfícies em condições de poeira.
- Use a extensão completa do bocal do soprador para que o fluxo de ar possa funcionar junto ao solo.
- Não coloque o soprador sobre ou perto de detritos soltos. Os detritos podem ser sugados para a ventilação de admissão, resultando em possíveis danos para a unidade.

AVISOS DE SEGURANÇA DO ASPIRADOR

⚠ ADVERTÊNCIA

Nunca utilize o aspirador tendo colocado apenas o tubo de vácuo superior. O risco de lesões corporais aumentará significativamente se não respeitar este aviso.

- Não opere o aspirador sem o conjunto do saco de vácuo instalado; a projeção de detritos pode causar ferimentos graves. Certifique-se que o saco de aspiração está completamente fechado antes de operar.
- Mova o aspirador de um lado para o outro ao longo da borda exterior de detritos. Para evitar obstruções, não coloque o tubo de aspiração diretamente na pilha de detritos.
- Segure o motor mais acima que a extremidade de entrada do tubo de aspiração.
- Segure o motor mais acima que a extremidade de entrada do tubo de aspiração.
- Para evitar ferimentos graves para o operador ou danos na unidade, não tente aspirar pedras, vidro quebrado, garrafas ou outros objetos semelhantes.
- Evite as situações que poderiam incendiar o saco de aspiração. Não opere perto de uma chama aberta. Não limpe cinzas quentes de chaminés, churrasqueiras, pilhas de troncos, etc. Não aspire beatas de cigarro ou charuto a menos que as cinzas tenham arrefecido totalmente.

TRANSPORTE E ARMAZENAMENTO

- Pare o aparelho, desligue-o da toma e deixe arrefecer antes de guardá-lo ou transportá-lo.
- Limpe todos os materiais estranhos do produto. Guarde-o num local fresco e seco e bem ventilado a que as crianças não consigam aceder. Mantenha-o afastado de substâncias corrosivas, tais como produtos químicos utilizados em jardinagem e sais

de descongelação. Não armazenar ao ar livre.

- Para transportar, prenda o aparelho de modo a evitar que este se mova ou caia, para evitar lesões ou danos no produto.

MANUTENÇÃO

⚠ ADVERTÊNCIA

Utilize apenas peças de substituição, acessórios e encaixes do fabricante original. A inobservância desta indicação pode causar um fraco desempenho, possíveis lesões e poderá anular a sua garantia.

⚠ ADVERTÊNCIA

Os serviços de manutenção requerem extremo cuidado e conhecimentos e devem apenas ser realizado por um técnico de assistência qualificado. Para assistência, sugerimos que devolva o produto ao seu centro de assistência autorizado mais próximo para reparação. Ao realizar serviços de manutenção, use apenas peças de substituição idênticas.

- Pode realizar os ajustes e reparações descritos neste manual do utilizador. Para outro tipo de reparações entre em contacto com um agente de serviço autorizado.
- Limpar o produto com um pano suave seco depois de cada uso.
- Verifique todas as porcas, pregos e parafusos com intervalos frequentes para confirmar a tensão apropriada e se certificar que o produto está em condições seguras de funcionamento. Qualquer peça danificada deve ser substituída ou reparada adequadamente por um centro de serviço autorizado.
- Não tente forçar o dispositivo de segurança da cobertura.

RISCOS RESIDUAIS:

Mesmo quando se utiliza o produto segundo as instruções, continua a ser impossível eliminar por completo certos fatores de

risco residuais. Os seguintes perigos podem surgir na utilização e o operador deve prestar especial atenção para evitar o seguinte:

- Lesões por vibração. Use sempre a ferramenta certa para o trabalho. Use pegas concebidas e restrinja o tempo e exposição de trabalho.
- A exposição ao ruído pode provocar perda de audição. Use proteção para os ouvidos e limite o tempo de exposição.
- Lesões causadas por objetos projetados do fluxo de ar do tubo do soprador ou escape do aspirador, se o saco não está instalado ou danificado. Coloque sempre a proteção ocular adequada.

REDUÇÃO DO RISCO

Foi reportado que as vibrações das ferramentas de mão podem contribuir para uma doença designada de Síndrome de Raynaud em determinados indivíduos. Os sintomas podem incluir formigamento, entorpecimento e empalidecimento dos dedos, habitualmente visível aquando da exposição ao frio. Estima-se que os factores hereditários, exposição ao frio e humidade, dieta, tabagismo e práticas de trabalho contribuem todos para o desenvolvimento destes sintomas. Existem medidas que podem ser tomadas pelo operador para possivelmente reduzir os efeitos da vibração:

- Mantenha o seu corpo quente durante o tempo frio. Ao operar o produto, use luvas para manter as mãos e os pulsos quentes. Encontra-se reportado que o tempo frio é um grande factor que contribui para o Síndrome de Raynaud.
- Após cada período de operação, exercite para aumentar a circulação sanguínea.
- Faça pausas frequentes no trabalho. Limite o tempo de exposição por dia.

Caso sinta algum dos sintomas desta doença, interrompa de imediato a sua utilização e consulte o seu médico sobre estes sintomas.

⚠️ ADVERTÊNCIA

O uso prolongado de uma ferramenta pode causar o agravar lesões. Ao usar qualquer ferramenta durante períodos prolongados, assegure-se que faz intervalos regulares.

CONHEÇA O SEU APARELHO

Ver a página 164.

1. Cobertura do ventilador
2. Tubo de aspiração superior
3. Tubo de aspiração inferior
4. Rodas de guia
5. Boquilha de alta velocidade
6. Tubo inferior do soprador
7. Tubo superior do soprador
8. Saco de aspiração
9. Adaptador da bolsa
10. Alavanca de seleção do modo soprador/ aspirador
11. Pega frontal
12. Seletor de velocidade
13. Pega traseira
14. Botão On/Off

SÍMBOLOS NO PRODUTO



Leia e compreenda todas as instruções antes de manipular o produto, respeite os alertas e as instruções de segurança.



Tenha cuidado com os objectos voláteis ou lançados. Mantenha todos os espectadores, especialmente crianças e animais de estimação, a pelo menos 15 m da área de funcionamento.



Ventoinhas. Mantenha as mãos e os pés afastados das aberturas enquanto o aparelho está em funcionamento.



Use protecção para os ouvidos



Usar protecção para os olhos



Não o exponha à chuva ou a condições de humidade.



Desligar: desligue o aparelho antes de realizar qualquer tarefa de manutenção ou de limpeza.



Retire a ficha da corrente de imediato antes da manutenção ou caso o cabo esteja danificado ou cortado.



Esta ferramenta obedece a todas as normas regulamentares do país da UE onde foi comprada.



Ferramenta de tipo II, duplo isolamento



Os aparelhos eléctricos antigos não devem ser eliminados juntamente com o lixo doméstico. Recicle onde existem instalações para o efeito. Verifique com as suas Autoridades Locais ou revendedor para obter informações sobre reciclagem.



O melhor nível de potência sonora é de 108 dB



Modo de soprador



Modo de aspiração



Marca de conformidade ucraniana



Marca de conformidade EurAsian

SÍMBOLOS NESTE MANUAL



Ligar à tomada de corrente



Desligar da tomada de corrente



Nota



Aviso

As seguintes palavras de sinal e significados destinam-se a explicar os níveis de risco associados a este produto.

⚠ PERIGO

Indica uma situação perigosa iminente, que, se não evitada, poderá resultar em morte ou ferimentos graves.

⚠ ADVERTÊNCIA

Indica uma situação potencialmente perigosa, que, se não evitada, poderá conduzir à morte ou graves lesões.

⚠ ADVERTÊNCIA

Indica uma situação potencialmente perigosa, que, se não evitada, poderá resultar em pequenas ou moderadas lesões.

ADVERTÊNCIA

Sem símbolo de alerta de segurança

Indica uma situação que pode resultar em danos de propriedade.

Sikkerhed, ydelse og driftssikkerhed har fået topprioritet i designet af din hybrid-plæneklipper.

TILTÆNKET ANVENDELSESFORMÅL

Produktet er kun beregnet til udendørs brug.

Produktet er ikke beregnet til at blive benyttet af børn eller personer med nedsatte fysiske, mentale eller sensoriske evner.

Produktet er beregnet til at blæse lettere affald inkl. løv, græs og andet haveaffald. Den er beregnet til at opsuge og foretage lettere mulchning af affald, som beskrevet ovenfor, og anbringe dette i opsamlingsposen. Det er ikke beregnet til at opsuge vand eller andre væsker.

⚠ ADVARSEL

Når produktet anvendes, skal sikkerhedsreglerne efterleves. Af hensyn til egen og andres sikkerhed skal man læse og forstå denne brugsanvisning, inden produktet anvendes. Disse sikkerhedsregler skal opbevares med henblik på senere brug.

⚠ ADVARSEL

Produktet er ikke beregnet til at blive benyttet af børn eller personer med nedsatte fysiske, mentale eller sensoriske evner. Børn bør holdes under tilstrækkeligt opsyn, så man er sikker på, at de ikke leger med produktet.

GENERELLE SIKKERHEDSADVARSLER

UDDANNELSE

- Læs brugsanvisningen omhyggeligt. Sørg for at blive fortrolig med betjeningselementerne samt korrekt brug af produktet.
- Produktet må aldrig benyttes af børn, personer med begrænsede fysiske, sensoriske eller mentale evner eller manglende erfaring og viden, eller af folk, der ikke er fortrolige med denne brugsanvisning. Lokale love kan have indflydelse på den tilladte brugerage.
- Husk det er brugeren selv der er ansvarlig

for ulykker eller farer andre folk bliver udsat for.

- Tilskuere, børn og kæledyr skal have en sikkerhedsafstand på mindst 15 m til arbejdsområdet. Stop produktet, hvis uvedkommende kommer ind i området.
- Du må aldrig bruge produktet, når du er træt, syg eller under påvirkning af alkohol, narkotika eller medicin.

ELEKTRISK SIKKERHED

- Elværktøjets elstik skal passe til stikkontakten. Elstikket må aldrig modificeres på nogen som helst måde. Undlad brug af adapterstik til jordede (stelforbundne) elværktøjer. Umodificerede elstik og passende elnetkontakter reducerer faren for elektrisk stød.
- Undgå utilsigtet start af enheden. Kontrollér altid, at kontakten er i pos. Off (=slukket), inden produktet sluttes til strømforsyningen. Flyt ikke produktet med fingeren på startknappen, mens det er tilsluttet strøm.
- Undgå kropskontakt med jordede eller stelforbundne overflader som fx rør, radiatorer, komfurer og køleskabe. Der er forøget risiko for elektrisk stød, hvis din krop er forbundet med jord eller stel.
- Dette produkt må ikke udsættes for regn eller fugt. Hvis der trænger vand ind i et produkt, øges faren for elektrisk stød.
- Strømmenskaltilføres via et fejlstrømsmodul (RCD) med en udløsestrøm på max 30 mA.
- Inden hver brug skal man kontrollere elkablet for evt. beskadigelser. Beskadigede ledninger skal udskiftes omgående. Elkablet skal altid rulles helt ud under brug; oprullede kabler kan blive overophedet.
- Hvis man skal bruge en forlængerledning, skal man sikre sig, at den er velegnet til udendørs brug og har en mærkekapacitet, der er tilstrækkelig til at forsyne værktøjet. Forlængerledningen skal være mærket med enten "H05 RN F" eller "H05 VV F". Forlængerledningen skal kontrolleres for skader inden hver



brug. Forlængerledningen skal altid rulles helt ud under brug; oprullede ledninger kan blive overophedet. Beskadede forlængerkabler må ikke repareres, men skal udskiftes med en tilsvarende type.

- Kontrollér, at strømforsyningskablet er positioneret, så ingen træder på det eller falder over det, eller at på anden måde udsættes for skade eller belastning.
- Produktet må aldrig løftes eller bæres i strømforsyningskablet.
- Træk aldrig i selve kablet, når stikket skal trækkes ud af kontakten.
- Hold strømforsyningsledningen på afstand af varme, olie og skarpe kanter.
- Før altid kablet bagud og væk fra produktet.
- Kontrollér, at spændingen passer til produktet. En navneplade på produktet indikerer enhedens spænding. Produktet må aldrig sluttes en til vekselstrømsspænding, der afviger fra denne spænding.
- Kontrollér, at kontakten er i pos. Off (=slukket), inden stikket trækkes ud af stikkontakten.

FORBEREDELSE

- Nogle områder har regler, som begrænser brugen af produktet til visse formål. Forhør dig hos de lokale myndigheder.
- Under arbejdet med produktet skal man altid bære kraftigt fodtøj og lange bukser. Undlad at bruge maskinen barfodet eller med åbne sandaler. Undgå at bære løstsiddende tøj samt nedhængende snore eller bånd; disse kan hænge fast i bevægelige dele.
- Undlad at benytte løstsiddende tøj eller smykker, som kan blive trukket ind i luftindgangen.
- Langt hår skal bindes op over skulderniveau, så det ikke risikerer at vikles sig ind i bevægelige dele.
- Benyt altid fuldstændigt høreværn under brugen af produktet. Produktet er ekstremt støjende, og der er fare for varige høreskader, hvis der ikke træffes de foreskrevne foranstaltninger til at

begrænse eksponering, reducere støjen og benytte høreværn.

- Benyt altid fuldstændigt øjenværn under brugen af dette produkt. Producenten anbefaler på det kraftigste, at man benytter fuld ansigtsmæssige og helt lukkede beskyttelsesbriller. Normale briller eller solbriller yder ikke tilstrækkelig beskyttelse. Genstande kan til enhver tid blive opslugnet med høj hastighed af den kraftige luftstråle og kan springe tilbage mod operatøren, hvis de rammer hårde overflader.
- Inden hver brug skal man kontrollere, at alle betjeningslementer og alt sikkerhedsudstyr fungerer upåklageligt. Undlad at bruge produktet, hvis motoren ikke kan standses med "SLUK"-kontakten.
- Inden hver brug skal man altid efterse produktet for at sikre sig, at klippeudstyr, klippeudstyrsbolte og andre fastgørelsesmidler er sikre (hvis relevant), huset er uskadt og afskærmninger og håndtag er monteret korrekt.
- Indleveres på et autoriseret servicecenter med henblik på erstatning af beskadede eller ulæselige mærkater.
- Brug aldrig produktet med defekte skærme, eller skjolde, eller uden påmonteret sikkerhedsudstyr, fx påmonteret affaldsopsamler.
- Hold alle køleluftindgange fri for affaldsstykker.
- Brug river og koste til løsning af affald, inden der blæses/suges.
- Ryd arbejdsområdet inden hver ibrugtagning. Fjern alle genstande som fx sten, knust glas, søm, ledning eller snor, som kan blive blæst langt væk af den kraftige luftstrøm.
- Produktet må kun anvendes på en stabil, plan overflade.



⚠ ADVARSEL

Inden man bruger produktet i sugemodus, skal man samle de øvre og nedre sugeslanger som vist på side 165. Denne operation skal kun udføres én gang. Sugeren må aldrig benyttes, hvis kun den øverste sugeslange er påmonteret. Risikoen for personskader øges betragteligt, hvis man ikke iagttager denne advarsel.

VEKSELSTRØM

- Hvis en ledning bliver beskadiget under brug, skal man straks trække stikket ud af lysnetkontakten. **Undlad at røre ved kablet, før der er slukket for strømmen.** Undlad at bruge maskinen, ledningen er beskadiget eller slidt.
- Maskinen må kun betjenes på rimelige tidspunkter -- dvs. ikke tidligt om morgenen eller sent om aftenen, hvor man risikerer at genere andre.
- Undgå at bruge produktet i atmosfærer med eksplosionsfare.
- Undlad at bruge produktet i dårligt vejr, især hvis der er fare for lynnedslag.
- Må ikke anvendes under dårlige lysforhold. Operatøren skal have tydeligt overblik over arbejdsområdet, så han/hun kan identificere evt. faremomenter.
- Vær opmærksom på, at høreværn begrænser evnen til at høre advarsler (alarmer eller råb). Operatøren skal være ekstra opmærksom på, hvad der sker i arbejdsområdet.
- Sørg for ikke at blive distraheret, og vær altid koncentreret om dét, du gør. Gennemtænk og overvej nøje konsekvenserne af dine handlinger.
- Brug af lignende værktøjer i nærheden øger både risikoen for høreskader og for, at uvedkommende personer kommer ind i dit arbejdsområde.
- Hold et godt fodfæste og balance. Overstræk ikke. Overstrækning kan føre til tab af balancen.
- Sørg altid for at have godt fodfæste på

skråninger. Gå, løb aldrig.

- Hold alle legemsdele på afstand af alle bevægelige dele. Roterende skovlblade kan forårsage alvorlig personskade. Stop produktet, og kontrollér, at skovhjulene er standset helt, inden man åbner blæseskærmen, monterer eller skifter slanger, åbner eller fjerner affaldsposen.
- Kør aldrig maskinen uden det korrekte udstyr monteret. Når produktet anvendes som blæser, skal man altid motere blæseslangerne og lukke blæserdækslet. Når den bruges som støvsuger, skal du altid anbringe støvsugerrøret og -posen.
- Undgå at ændre ved maskinen på nogen som helst måde eller at bruge dele og tilbehør, som ikke anbefales af producenten.

⚠ ADVARSEL

Hvis produktet tabes, udsættes for stød eller begynder at vibrere unormalt, skal man omgående stoppe det og inspicere det for skader eller lokalisere årsagen til vibrationen. Enhver beskadiget del skal repareres ordentligt eller udskiftes på et autoriseret servicecenter.

- For at mindske risikoen for skader i forbindelse med berøring af roterende dele skal man altid stoppe produktet, trække stikket ud af kontakten og sørge for, at alle bevægelige dele er stoppet fuldstændigt:
 - ingen rengøring eller afhjælpning af en blokering.
 - når produktet efterlades uden opsyn
 - inden installation og fjernelse af tilbehørsdele
 - inden kontrol, vedligeholdelse eller arbejde på produktet
 - for at efterse produktet for skader efter kollision med et fremmedlegeme
 - hvis produktet begynder at vibrere unormalt (kontrolleres omgående)



⚠ ADVARSEL

Blæse-/sugemaskinen kan være forsynet med skulderstrop. Selen skal indjusteres omhyggeligt, så den bærer produktets vægt komfortabelt.

Lokalisér hurtigudløsningsmekanismen, og øv dig i at bruge denne, inden du tager maskinen i brug. Korrekt brug af denne funktion kan forhindre alvorlige personskader i en nødsituation. Man må aldrig bære anden beklædning uden på skulderstroppen eller på anden måde begrænse adgangen til den hurtige udløsemekanisme.

SIKKERHEDSADVARSLER PÅ BLÆSER

- Under støvede forhold skal du bruge en ansigtsmaske for at nedsætte risikoen for personskade forbundet med indhalering af støv.
- Ret ikke blæserdysen mod personer eller kæledyr.
- Der må aldrig anbringes genstande i blæseslangerne.
- Maskinen må ikke betjenes i nærheden af åbne vinduer.
- Overfladerne fugtes en smule i støvede omgivelser.
- Brug den fulde blæserdyseforlængelse, så luftstrømmen kan virke tæt ved jorden.
- Blæseren må ikke anbringes oven på eller nær løst affald. Affald kan blive suget ind i indsuigningsåbningen og evt. medføre skader på produktet.

SIKKERHEDSADVARSLER PÅ SUGEREN

⚠ ADVARSEL

Sugeren må aldrig benyttes, hvis kun den øverste sugeslange er påmonteret. Risikoen for personskader øges betragteligt, hvis man ikke iagttager denne advarsel.

- Undgå at benytte sugeren, uden at sugeposen er ordentligt monteret; flyvende affald kan give alvorlige personskader.

Kontrollér, at sugeposen er helt lukket til inden ibrugtagning.

- Bevæg sugeren fra side til side langs den udvendige affaldskant. For at undgå tilstopning må sugeslangen ikke sættes direkte i affaldsdyngen.
- Hold motoren højere end sugeslangens indløbsende.
- Ret altid støvsugerrøret ned ad bakke, når der arbejdes på en skråning.
- For at undgå alvorlige personskader for operatøren og skader på produktet må man ikke forsøge at opsuge sten, glasskår, flasker el.lign.
- Undgå situationer, som kan antænde støvsugerpøsen. Arbejd ikke i nærheden af åben ild. Støvsug ikke varm aske fra ildsteder, griller osv. Støvsug ikke cigarer og cigaretter, medmindre skoddene er helt kolde.

TRANSPORT OG OPBEVARING

- Stop produktet, træk stikket ud af stikkontakten, og lad det køle af, inden det opbevares eller transporteres.
- Afrens alle fremmedlegemer fra produktet. Opbevar den på et køligt, tørt og godt ventileret sted utilgængeligt for børn. Opbevar motorsaven på afstand af ætsende midler som f.eks. havekemikalier og optøningsalt. Må ikke opbevares udendørs.
- Til transport skal man sikre produktet, så den ikke kan bevæge sig eller vælte; dette for at forebygge personskader eller skader på produktet.

VEDLIGEHOLDELSE

⚠ ADVARSEL

Brug kun originale reservedele, ekstraudstyr og tilbehør fra producenten. I modsat fald er der fare for personskader, dårlig maskinydelse og annullering af garantien.

| |
|-----------|
| EN |
| FR |
| DE |
| ES |
| IT |
| NL |
| PT |
| DA |
| SV |
| FI |
| NO |
| RU |
| PL |
| CS |
| HU |
| RO |
| LV |
| LT |
| ET |
| HR |
| SL |
| SK |
| BG |
| UK |
| TR |



⚠ ADVARSEL

Vedligeholdelse kræver stor omhyggelighed og viden og kun bør udføres af en kvalificeret tekniker. Vi anbefaler du leverer enheden tilbage til dit nærmeste autoriserede service center til reparation. Skal dele udskiftes må kun identiske reservedele anvendes.

- Du kan lave justeringer og reparationer beskrevet i denne brugervejledning. Til andre reparationsopgaver skal man kontakte den autoriserede servicemontør.
- Produktet skal rengøres med en blød klud efter hver brug.
- Tjek ofte alle møtrikker, bolte og skruer om de sidder godt fast, og sørg for at produktet fungerer ordentligt. Enhver del, som bliver beskadiget, skal repareres ordentligt eller udskiftes på et autoriseret servicecenter.
- Forsøg aldrig at tilsidesætte afskærmningens samtlåsningsfunktion.

UUNDGÅELIGE RISICI

Selv om produktet anvendes som foreskrevet, er det stadig umuligt at eliminere visse uundgåelige risikofaktorer fuldstændigt. Følgende risici kan opstå under brug, og operatøren bør være særligt opmærksom for at undgå følgende:

- Personskader forårsaget af vibration. Brug altid det rigtige værktøj i forhold til arbejdsopgaven. Benyt de hertil indrettede håndtag, og sørg for at begrænse arbejds- og eksponeringstiden.
- Eksponering for støj kan medføre høreskader. Benyt høreværn, og begræns eksponering.
- Fare for personskader som følge af flyvende genstande fra blæseslangens luftstrøm eller sugerens udblæsning, hvis posen ikke er monteret eller er beskadiget. Der skal altid benyttes passende øjenværn.

RISIKOREDUKTION

Der er rapporteret om, at vibrationer fra håndholdte værktøjer kan være medvirkende til en lidelse kaldet Raynauds syndrom hos

visse personer. Symptomerne herpå kan være prikken, følelsesløshed og blegning af fingrene, der normalt viser sig ved kuldepåvirkning. Faktorer som arvelighed, udsættelse for kulde og fugt, kost, rygning og arbejdsvaner menes alle at medvirke til udviklingen af disse symptomer. Der findes forholdsregler, som operatøren kan træffe for at begrænse påvirkningen fra vibrationer:

- Hold kroppen varm i koldt vejr. Brug handsker, så hænder og vriste holdes varme under arbejdet. Der er rapporteret om, at koldt vejr er en væsentlig faktor til Raynauds syndrom.
- Motionér efter hver arbejdsperiode for at øge blodcirkulationen.
- Hold hyppige arbejdspauser. Begræns eksponeringen for vibrationer pr. dag.

Hvis du mærker nogen af symptomerne på denne tilstand, skal du straks ophøre med arbejdet og søge læge.

⚠ ADVARSEL

Længere tids brug af et værktøj kan forårsage - eller forværre - personskader. Når man bruger et værktøj i længere perioder ad gangen, skal man huske at holde hyppige pauser.

KEND PRODUKTET

Se side 164.

1. Blæserdæksel
2. Øverste sugeslange
3. Nederste sugeslange
4. Styrehjul
5. Højhastighedsdyse
6. Nederste blæseslange
7. Øverste blæseslange
8. Sugepose
9. Taske-adapter
10. Vælger til blæse/sugemodus
11. Forhåndtag
12. Hastighedsvælger
13. Baghåndtag
14. Tænd/Sluk-udløser

SYMBOLER PÅ PRODUKTET



Alle vejledninger skal læses og forstås, inden produktet benyttes; følg alle advarsler og sikkerhedsinstrukser.



Pas på udslyngede eller flyvende objekter. Sørg for, at tilskuere (især børn og dyr) er mindst 15 m fra arbejdsområdet.



Roterende blæsere. Hold hænder og fødder på afstand af åbninger, mens produktet kører.



Bær høreværn



Benyt øjenværn



Må ikke udsættes for regn eller bruges på fugtige steder.



Slukning: Tag stikket ud af stikkontakten inden påbegyndelse af rengøring eller vedligeholdelse



Træk omgående stikket ud af lysnetkontakten, hvis kablet beskadiges eller skæres over.



Dette redskab overholder alle lovkrav og standarder i det EU-land, hvor det er købt.



Klasse II-værktøj, dobbelt-isoleret



Elektriske affaldsprodukter bør ikke afskaffes sammen med husholdningsaffald. Genbrug venligst hvor faciliteterne tillader dette. Tjek med din lokale kommune eller forhandler for genbrugsråd.



Det garanterede lydeffektniveau er 108 dB.



Blæsemodus



Sugemode



Ukrainsk overensstemmelsesmærke



EurAsian overensstemmelsesmærke

SYMBOLER I DENNE BRUGSANVISNING



Tilslut til stikkontakt



Træk stikket ud af stikkontakten



Bemærk



Advarsel

De følgende ikoner og betydninger er beregnet til at forklare risikoen involveret i at anvende denne enhed.

⚠ FARE

Indikerer en meget farlig situation, som hvis ikke undgås, kan føre til alvorlige skader og i værste fald døden.

⚠ ADVARSEL

Indikerer en potentielt farlig situation, som hvis ikke undgås, kan føre til alvorlige skader og i værste fald døden.

⚠ PAS PÅ

Indikerer en potentielt farlig situation, som hvis ikke undgås, kan føre til mindre eller moderate skader.

PAS PÅ

Uden sikkerhedsadvarselssymbol
Indikerer en situation, som kan medføre materiel skade.

Säkerhet, prestanda och pålitlighet har varit högsta prioritet vid design av your electric blower/vacuum.

ANVÄNDNINGSSOMRÅDE

Produkten är enbart avsedd för utomhusbruk. Produkten är inte avsedd för användning av barn eller personer med fysiska, mentala eller emotionella funktionshinder.

Produkten är avsedd för att blåsa lätt skräp som gräs, löv och annat trädgårdsskräp. Den är avsedd att suga upp och mulla skräp enligt ovan och samla det i samlingspåsen. Den är inte gjord för att suga vatten eller andra vätskor.

⚠ VARNING

När man använder apparaten måste säkerhetsföreskrifterna följas. För egen och åskådares säkerhet måste du läsa och vara helt införstådd med dessa instruktioner innan du använder produkten. Förvara instruktionerna på ett säkert ställe för användning vid senare tillfälle.

⚠ VARNING

Produkten är inte avsedd för användning av barn eller personer med fysiska, mentala eller emotionella funktionshinder. Barn ska alltid övervakas så att de inte leker med produkten.

ALLMÄNNA SÄKERHETSFÖRESKRIFTER

UTBILDNING

- Läs igenom instruktionerna noga. Bekanta dig med reglagen och rätt användning av produkten.
- Se till att barn eller personer med nedsatt fysisk eller psykisk förmåga, eller personer som inte är erfarna eller inte bekanta med dessa instruktioner aldrig använder produkten. Lokala regler kan åldersbegränsa användningen av gräsklipparen.
- Kom ihåg att användaren är ansvarig för olyckor och faror som uppstår för andra

människor och deras egendom.

- Håll åskådare, barn och husdjur på minst 15 meters avstånd. Stoppa produkten om någon kommer i närheten.
- Använd aldrig produkten om du är trött, sjuk eller påverkad av alkohol, droger eller medicin.

ELEKTRISK SÄKERHET

- Elverktygets kontakt måste passa i uttaget. Modifiera inte kontakten på något sätt. Använd inga adapterkontakter med jordade kraftverktyg. Omodifierade kontakter och matchande uttag minskar risken för elektrisk stöt.
- Undvik oavsiktlig start. Kontrollera att reglaget är i Off-läget innan produkten kopplas till strömförsörjning. Bär inte en inkopplad produkt med dina fingrar på strömbrytaren.
- Undvik kroppskontakt med jordade ytor, som exempelvis rör, element, spis och kylskåp. Det föreligger en förhöjd risk för elektrisk stöt om din kropp är jordad.
- Exponera inte produkten för regn eller våta förhållanden. Om vatten kommer in i maskinen ökar risken för elektrisk stöt.
- El bör komma ifrån en apparat med residual krets (RCD) med en utlösande strömstyrka ej överstigande 30 mA.
- Kontrollera alltid elkabeln före användning. Byt omedelbart ut om den är skadad. Rulla ut kabeln före användning, hoprullad kabel kan överhettas.
- Om du måste använda förlängningskabel ska du kontrollera att den är för utomhusbruk och har kapacitet för att fungera med verktyg. Förlängningskabeln ska vara märkt med antingen "H05 RN F" eller "H05 VV F". Kontrollera förlängningskabeln så det inte finns några skador inför varje användning. Rulla ut förlängningskabeln under användning eftersom hoprullad kabel kan överhettas. Skadade förlängningskablar får inte repareras, de ska ersättas med motsvarande typ.
- Se till att el-kabeln ligger så att man inte



trampar eller snubblar på den, eller så att den på annat sätt kan skadas eller förslitas.

- Lyft aldrig upp- eller bär produkten i el-kabeln.
- Dra aldrig ur kontakten ur väggen genom att dra i sladden. .
- Håll el-kabeln borta från värme, olja och skarpa kanter.
- Håll alltid undan kabeln från bakre delen av produkten.
- Kontrollera att spänningen är korrekt för produkten. På en skylt på produkten anges strömstyrkan (Volt). Koppla aldrig produkten till en växelströmsstyrka som skiljer från denna.
- Kontrollera att omkopplaren står i OFF-läge innan den kopplas ur från väggurtaget.

FÖRBEREDELSE

- En del regioner har regelverk som begränsar produktens användning till vissa funktioner. Ta kontakt med lokala myndigheter för information.
- Vid användning av produkten ska du alltid använda ordentliga skodon och långa byxor. Använd inte maskinen barfota eller med öppna sandaler. Bär inte kläder som sitter löst eller som har hängande delar eller snören, de kan fastna i rörliga delar.
- Bär inga löst sittande kläder eller smycken som kan fastna i rörliga delar eller sugas in i luftintag.
- Sätt upp hår som är längre än till axlarna så att det inte trasslas in i rörliga delar.
- Använd alltid hörselskydd vid användning av produkten. Maskinen är extremt ljudlig och kan ge permanenta hörselskador om inte säkerhetsföreskrifter för att begränsa exponering, minska buller och använda skyddsutrustning följs.
- Använd alltid heltäckande skyddsglasögon vid användning av produkten. Tillverkaren rekommenderar starkt användning av ansiktsskydd eller heltäckande skyddsglasögon. Vanliga glasögon eller solglasögon skyddar inte tillräckligt. Föremål kan när som helst kastas i väg i

hög hastighet av den kraftfulla luftströmmen och studsas på hårda ytor i riktning mot användaren.

- Kontrollera före användning så att reglage och säkerhetsanordningar fungerar som de ska. Använd inte produkten om "Off"-läget inte stoppar motorn.
- Varje gång, före användningen, kontrollera alltid visuellt att strimlingsfunktionen, strimling innebär bultar och andra skruvar är säkrade (om nödvändigt), att hjälpet är osakat och att skydd och handtag sitter fast ordentligt.
- Lämna produkten till auktoriserat servicecenter för byte av skadade eller oläsliga etiketter.
- Använd aldrig verktyget med defekta skydd eller utan att säkerhetsanordningarna, som skräppupsamlaren, är på plats.
- Håll alla kylluftsintag fria från skräp.
- Använd räfsor och borstar för att luckra upp skräp innan du blåser.
- Rensa upp på arbetsområdet innan arbetet påbörjas. Ta bort alla föremål som stenar, glasbitar, spikar, vajerbitar eller tråd som kan fara iväg långt med luften.
- Använd bara produkten på en fast, plan yta.

⚠ VARNING

Före användning av produkten i sugläge måste övre och nedre sugrören sättas samman enligt bilden på sidan 165. Denna åtgärd ska enbart utföras en gång. Använd aldrig sugen med enbart övre röret monterat. Risken för allvarlig personskada ökar drastiskt om du inte uppmärksammar denna varning.

ANVÄNDNING

- Om kabeln skadas under användning ska den kopplas från eluttaget omedelbart. **Rör inte vid kabeln innan strömförsörjningen är fränkopplad.** Använd inte maskinen om kabeln är skadad eller sliten.
- Använd enbart maskinen under lämpliga tider – inte tidigt på morgonen eller sent på



kvällen när det kan störa omgivningen.

- Använd aldrig produkten i lättantändlig atmosfär.
- Använd inte produkten i dåligt väder, speciellt inte om det finns risk för åskoväder.
- Använd endast i god belysning. Operatören måste ha god överblick över arbetsområdet för att upptäcka potentiella faror.
- När du använder hörselskydd minskar din förmåga att uppfatta varningar (skrik och alarm). Du måste vara extra uppmärksam på vad som sker i arbetsområdet.
- Låt dig inte distraheras och var alltid fokuserad på det du gör. Tänk på och överväg noga konsekvensen av dina handlingar.
- Användning av liknande maskiner i närheten ökar risken för både hörselskador och för andra personer i närheten av arbetsområdet.
- Bibehåll ett bra fotfäste och bra balans. Sträck dig inte. Att sträcka sig kan resultera i balansförlust.
- Se till att du har ordentligt fotfäste i lutningar. Gå. Spring aldrig.
- Håll alla kroppsdelar borta från rörliga delar. De roterande bladen kan orsaka allvarliga skador. Stoppa produkten och se till att bladen inte roterar innan fläktskyddet öppnas, installation/byte av rör, öppning eller borttagning av skrappåse.
- Kör aldrig maskinen utan att ha den korrekta utrustningen monterad. När den används som blåsare ska blåsroren installeras och fläktluckan stängas. Montera alltid sugroren och uppsamlingspåsen när maskinen ska användas i sugläge.
- Modifiera inte maskinen på något sätt och använd inte delar eller tillbehör som inte rekommenderats av tillverkaren.

⚠ VARNING

Om produkten tappas, utsätts för hårda slag eller börjar vibrera onormalt mycket ska produkten omedelbart stoppas och kontrolleras för eventuella skador eller orsak till vibrationerna. Eventuella skador ska repareras ordentligt eller bytas ut av ett auktoriserat servicecenter.

- För att minska skaderisken med roterande delar ska motorn alltid stoppas, koppla från eluttaget och se till att alla rörliga delar har stannat helt före:
 - före rengöring eller rensning av ett stopp
 - när produkten lämnas utan övervakning
 - före installation och borttagning av tillbehör
 - före kontroll av, rengöring av eller arbete med produkten
 - Att inspektera produkten avseende skador efter att slagit i ett främmande föremål
 - när maskinen börjar vibrera onormalt (kontrollera omedelbart)

⚠ VARNING

Din blåsare/sugare kan utrustas med sele. Justera försiktigt selen så att den hjälper till att bära produktens tyngd.

Ta reda på snabbkopplingsmekanismen och testa den innan du börjar använda maskinen. Korrekt användning av den kan förhindra allvarliga skador i nödfall. Bär aldrig extrakläder över selen eller på annat sätt förhindra återkomsten till snabbutlösningen.

SÄKERHETSFORESKRIFTER FÖR BLÅSARE

- Använd en ansiktsmask om förhållandena är dammiga. Det minskar risken för skador på grund av damminandning.
- Rikta inte utblåsmunstycket mot andra människor eller djur.
- Placera aldrig föremål i blåsroren.
- Använd inte apparaten i närheten av öppna fönster.

- Om det är dammigt ska du fukta ytorna innan arbetet.
- Använd blåsarmunstyckets förlängning så att luftströmmen kan verka nära marken.
- Placera inte blåsaren ovanpå eller nära löst skräp. Skräp kan sugas in i luftintaget och eventuellt skada enheten.

SÄKERHETSFORESKRIFTER FÖR SUGAREN

⚠ VARNING
Använd aldrig sugen med enbart övre röret monterat. Risken för allvarlig personskada ökar drastiskt om du inte uppmärksammar denna varning.

- Använd inte sugaren utan skräppåse monterad, flygande skräp kan orsaka allvarliga skador. Se till att vakuumpåsen är helt stängd före användning.
- För sugaren från sida till sida längs med skräpets ytterkant. Undvik stopp genom att inte placera sugröret direkt i en skräphög.
- Håll motorn högre än intagsänden på sugröret.
- Rikta alltid sugröret nedåt när du arbetar i en sluttning.
- För att undvika allvarliga skador på operatör eller på enhet ska du inte försöka suga upp sten, glasbitar, flaskor eller liknande föremål.
- Undvik situationer som kan få uppsamlingspåsen att fatta eld. Använd inte maskinen nära en öppen låga. Sug inte upp varm aska från eldstäder, grillar, lövhögar, etc. Sug inte heller upp cigarettfimpar eller cigarrer om de inte har svalnat helt.

TRANSPORT OCH FÖRVARING

- Stoppa produkten, koppla från den och låt den svalna före transport eller förvaring.
- Ta bort allt främmande material från produkten. Förvara den svalt och välventilerat på en plats där barn inte kan komma åt den. Förvara på avstånd från frätande medel, t.ex. trädgårdskemikalier

och vägsalt. Förvara den inte utomhus.

- Vid transport ska produkten säkras mot rörelser eller fallande för att förhindra personskador eller att produkten skadas.

UNDERHÅLL

⚠ VARNING
Använd enbart ersättningsdelar och tillbehör från tillverkaren. Om inte kan det eventuellt orsaka skador, sämre resultat och kan upphäva garantin.

⚠ VARNING
Att serva produkten kräver extrem försiktighet och kunskap och bör endast utföras av en kvalificerad servicetekniker. Vi rekommenderar att du returnerar produkten till ditt närmsta auktoriserade servicecenter för reparation. Använd endast identiska utbytesdelar när produkten servas.

- Du kan göra de justeringar och reparationer som beskrivs i den här manualen. För alla andra reparationer ska godkänt servicecenter kontaktas.
- Efter rengöring ska maskinen alltid rengöras med en mjuk torr trasa.
- För att vara säker på att produkten är säker att använda, kontrollera alla muttrar, bultar och skruvar regelbundet för att säkerställa att de är åtdragna ordentligt. Skadade delar skall repareras ordentligt eller bytas ut av en auktoriserad servicefirma.
- Försök aldrig förbigå den skyddets förreglade funktion.

KVARSTÄENDE RISKER

Även om produkten används enligt instruktionerna går det inte att eliminera alla eventuella riskfaktorer. Följande risker kan uppkomma under bruk och användaren ska vara extra uppmärksam för att undvika följande:

- Skada orsakad av vibration. Använd alltid rätt verktyg för arbetet. Håll ordentligt i handtagen och begränsa arbetstid och

exponering.

- Exponering för buller kan orsaka hörselskador. Använd hörselskydd och begränsa exponeringen.
- Skador av flygande föremål kan uppkomma från luftströmmen eller vakuumpåsläppet om inte påsen är ordentligt monterad eller om den är skadad. Använd alltid lämpligt ögonskydd.

RISKMINSKNING

Det finns rapporter om att vibrationer från handhållna verktyg kan bidra till ett tillstånd som kallas Raynauds syndrom för vissa personer. Symptomen brukar vara att det sticker i fingrarna och att de domnar bort; fingrarna kan också bli vita, särskilt vid kyla. Ärftliga faktorer, kyla och fukt, diet, rökning och arbetsrutiner tros alla bidra till att orsaka dessa symptom. Det finns förebyggande åtgärder som du kan vidta för att försöka minska vibrationernas påverkan:

- Håll dig varm när du arbetar i kallt väder. Använd handskar för att hålla händer och handleder varma under användning. Kyla har rapporterats som en viktig del i utvecklandet av Raynauds syndrom.
- Träna och rör på dig efter varje användningstillfälle för att öka blodcirkulationen.
- Ta ofta pauser från arbetet. Begränsa tiden du utsätter dig varje dag.

Upphör omedelbart om du upplever några av dessa symptom och uppsök din läkare.

⚠ VARNING

Risk för person- eller slitageskador vid användning av verktyget under lång tid. Om verktyget används under längre perioder krävs regelbundna pauser.

LÄR KÄNNA PRODUKTEN

Se sida 164.

1. Fläktskydd
2. Övre sugrör
3. Nedre sugrör
4. Guidehjul

5. Höghastighetsmunstycke
6. Nedre blåsör
7. Övre blåsör
8. Sugbag
9. Väskadapter
10. Reglage för val av blåsar-/sugläge
11. Främre handtag
12. Hastighetsväljare
13. Bakre handtag
14. Strömbrytare

SYMBOLER PÅ PRODUKTEN



Läs igenom och var införstådd med alla instruktioner före användning av produkten, var uppmärksam på alla varningar och säkerhetsinstruktioner.



Se upp med kringkastade eller flygande föremål. Håll alla åskådare, barn och husdjur på minst 15 meters avstånd från arbetsområdet.



Roterande fläktar. Se till att hålla händer och fötter borta från öppningarna när produkten är igång.



Använd hörselskydd



Bär ögonskydd



Utsätt inte för regn eller våta omgivning.



Stäng av: ta bort kontakten från eluttag före rengöring och underhåll



Koppla bort kontakten från elnätet direkt före underhåll eller om kabeln skulle vara skadad eller avklipt.



Detta verktyg uppfyller alla standarder i de EU-länder där det kan köpas.



Klass II-verktyg, dubbelt isolerat



Gamla elektroniska produkter ska inte kastas med hushållssoporna. Återvinn där sådana faciliteter finns. Kontrollera med din lokala myndighet eller säljaren för att få återvinningstips.



Garanterad ljudnivå är 108 dB



Blåsarläge



Sugläge



Ukrainskt märke för överensstämmelse



EurAsian överensstämmelsesymbol

SYMBOLER I MANUALEN



Koppla den till ett väggurtag



Urkoppling från väggurtag



Notera



Varning

Följande signalord och betydelser är tänkta att förklara de olika risknivåerna som är associerade med denna produkt.

⚠ FARA

Indikerar en överhängande farlig situation som kan, om den inte undviks, resultera i dödsfall eller allvarlig skada.

⚠ VARNING

Indikerar en potentiellt farlig situation som kan, om den inte undviks, resultera i dödsfall eller allvarlig skada.

⚠ PÅMINNELSE

Indikerar en potentiellt farlig situation som kan, om den inte undviks, resultera i mindre eller medelstora skador.

PÅMINNELSE

Utän säkerhetssymbol

Visar på en situation som kan orsaka skada på egendom.

Sähkökäyttöisen puhaltimen/imurin suunnittelussa on pidetty etusijalla turvallisuutta, suorituskykyä ja luotettavuutta.

KÄYTTÖTARKOITUS

Tämä tuote on tarkoitettu yksinomaan ulkokäyttöön.

Tuotetta ei ole tarkoitettu lasten eikä sellaisten ihmisten käytettäväksi, joiden ruumiin, aistien tai mielen suorituskyky on heikentynyt.

Tuotteella saa puhaltaa kevyitä roskia, kuten lehtiä, ruohoa ja muuta puutarhajätettä. Se on tarkoitettu imurointiin ja roskien kevyeen silppuamiseen yllä kuvatun mukaisesti ja roskien keräämiseen pussiin. Sitä ei ole tarkoitettu veden eikä muiden nesteiden imemiseen eikä imuroimiseen.

VAROITUS

Noudata turvallisuussääntöjä tuotetta käyttäessäsi. Sinun tulee oman ja sivullisten turvallisuuden vuoksi lukea ja ymmärtää nämä ohjeet täysin ennen tuotteen käyttöä. Säilytä ohjeet tulevaa käyttöä varten.

VAROITUS

Tuotetta ei ole tarkoitettu lasten eikä sellaisten ihmisten käytettäväksi, joiden ruumiin, aistien tai mielen suorituskyky on heikentynyt. Lapsia on pidettävä asianmukaisesti silmällä, jotta he eivät pääse leikkimään tuotteella.

YLEISET TURVALLISUUSVAROITUKSET

KOULUTUS

- Lue ohjeet huolella. Tutustu ohjaimiin ja tuotteen asianmukaiseen käyttöön.
- Älä koskaan salli lasten tai ihmisten, joiden fyysiset tai henkiset kyvyt tai aistit ovat heikentyneet tai joilta puuttuu kokemusta tai tietämystä, tai näitä ohjeita tuntemattomien käyttää tuotetta. Paikalliset säädökset saattavat asettaa rajoituksia käyttäjän iälle.
- Muista, että ruohonleikkurin käyttö on vastuunalainen vahingoista ja vaaroista, jotka hän aiheuttaa muille ihmisille ja

heidän omaisuuksilleen.

- Pidä sivulliset, lapset ja lemmikit 15 metrin etäisyydellä työalueesta. Sammuta tuote, jos alueelle tulee joku.
- Älä koskaan käytä tuotetta väsyneenä, sairaana tai alkoholin, huumeiden tai lääkkeiden vaikutuksen alaisena.

SÄHKÖTURVALLISUUS

- Pistokkeen on sovittava pistorasiaan. Älä koskaan muunna pistoketta millään tavalla. Älä käytä maadoitettujen sähkötyökalujen kanssa minkäänlaisia sovitinpistokkeita. Alkuperäiset pistokkeet ja niitä vastaavat pistorasiat pienentävät sähköiskun vaaraa.
- Varo tahatonta käynnistystä. Tarkista aina, että kytkin on OFF-asennossa, ennen kuin kytket tuotteen virtalähteeseen. Älä kannata tuotetta, joka on kytketty virtaan, jos sormi on kytkimellä.
- Älä kosketa maadoitettuihin pintoihin, kuten putkiin, lämpöpattereihin, helloihin tai jääkaappeihin. Jos ruumiisi on maadoitettu, sähköiskun vaara on suurempi.
- Älä altista tuotetta sateelle tai kosteudelle. Veden pääsy laitteeseen lisää sähköiskun vaaraa.
- Virtalähteessä tulee olla jäännösvirtalaitte (RCD), jonka trippausvirta on enintään 30 mA.
- Tarkista virtajohto aina ennen käyttöä. Mikäli ne ovat vialliset, vaihda ne välittömästi. Avaa aina johto kääroilta ennen käyttöä; käärytyt johdot voivat ylikuumentua.
- Jos sinun on käytettävä jatkojohtoa, varmista että se soveltuu ulkokäyttöön ja että sen luokitus riittää laitteelle. Jatkojohdossa tulisi olla merkintä "H05 RN F" tai "H05 VV F". Tarkista jatkojohto vaurioiden varalta ennen jokaista käyttökertaa. Avaa jatkojohto aina kääroilta käytön ajaksi, koska käärytyt johdot voivat ylikuumentua. Vaurioituneita jatkojohtoja ei saa korjata vaan ne tulee vaihtaa vastaavan tyyppiin.
- Varmista, että virtajohto sijaitsee siten, että

sen päälle ei astuta eikä siihen kompastuta eikä se muuten vioitu tai rasitu.

- Älä koskaan nosta tai kannata tuotetta sähköjohtosta.
- Älä koskaan irrota laitetta pistorasiasta vetämällä virtajohtosta.
- Älä päästä virtajohtoa koskettamaan kuumuuden lähteitä, öljyä tai teräviä reunoja.
- Pidä johtoa aina laitteen takana, poissa tuotteen tieltä.
- Tarkista, että jännite on tuotteelle oikea. Laitteen jännite ilmoitetaan sen nimikyltissä. Älä koskaan kytkä tuotetta tästä jännitteestä poikkeavaan vaihtovirtaan.
- Tarkista ennen virtalähteestä irrottamista, että kytkin on Off-asennossa.

VALMISTELUT

- Joillain alueilla vallitsee säädöksiä, jotka rajoittavat tämän tuotteen käyttöä joissain toiminnoissa. Pyydä paikallisilta viranomaisilta neuvoa.
- Käytä aina tuotetta käyttäessäsi asianmukaisia jalkineita ja pitkiä housuja. Älä käytä laitetta paljasjaloin tai avosandaaleissa. Älä käytä löysiä vaatteita tai vaatteita, joista riippuu nuoria tai siteitä; ne voivat tarttua liikkuviin osiin.
- Älä käytä löysiä vaatteita tai koruja, jotka saattaisivat imeytyä ilmanottoon.
- Sido pitkät hiukset hartioiden yläpuolelle, jotta ne eivät pääse tarttumaan liikkuviin osiin.
- Käytä aina kuulonsuojaimia tuotetta käyttäessäsi. Tämä tuote on erittäin äänekäs ja saattaa vahingoittaa kuuloa pysyvästi, jos ei noudateta ohjeita altistumisen rajoittamiseksi ja jos ei käytetä kuulosuojaimia.
- Käytä aina täysiä suojalaseja tuotetta käyttäessäsi. Valmistaja suosittelee painokkaasti täyttä kasvosuojusta tai täysin suljettuja suojalaseja. Tavalliset silmälasit tai aurinkolasit eivät tarjoa riittävää suojaa. Tehokas ilmajvirta voi singota kappaleita

milloin vain, ja ne voivat kimmota kovista pinoista käyttäjää kohden.

- Varmista aina ennen käyttöä, että kaikki hallinta- ja turvallisuuslaitteet toimivat asianmukaisesti. Älä käytä tuotetta, jos Off-kytkin ei sammuta moottoria.
- Tarkista aina ennen jokaista käyttökertaa silmämääräisesti, että silppuriosa, silppuriosan pultit ja muut kiinnikkeet ovat kunnolla kiinni (jos soveltuu), kotelo on kunnossa ja suojat ja kahvat ovat asianmukaisesti paikoillaan.
- Palauta valtuutettuun huoltoon vaurioituneiden ja lukukelvottomien kyttien vaihtamiseksi.
- Älä koskaan käytä tuotetta, jos suojat tai suojukset ovat epäkunnossa tai ilman suojalaitteita, kuten roskien kerääjää.
- Pidä kaikki jäähdytysilman ottoaukot puhtaina.
- Irrota roskat ennen puhaltamista/imuroidusta maasta haravalla tai harjalla.
- Siivoa työalue ennen jokaista käyttöä. Poista kaikki sellaiset esineet kuten kivet, lasinpalat, naulat, johdot ja langat, jotka voimakas puhallus voi singota pitkiä matkoja.
- Käytä tuotetta vain vakaalla tasapinnalla.

⚠ VAROITUS

Ennen kuin käytät tuotetta imuritilassa, sinun on asennettava ylempi ja alempi imuputki yhteen kuvan 165 mukaisesti. Tämä tehdään vain kerran. Älä koskaan käytä imuria pelkällä ylempällä imuputkella. Loukkaantumisen vaara lisääntyy huomattavasti, jos et noudata tätä varoitusta.

KÄYTTÖ

- Jos johto vioittuu käytön aikana, irrota se heti pistorasiasta. **Älä kosketa johtoa, ennen kuin olet irrottanut sen pistorasiasta.** Älä käytä laitetta, jos johto on vioittunut tai kulunut.
- Käytä laitetta ainoastaan säädylliseen aikaan – ei aikaisin aamulla tai myöhään

yöllä, jolloin se voi häiritä muita.

- Älä koskaan käytä tuotetta räjähdysalttiissa ympäristössä.
- Älä käytä tuotetta huonolla säällä, erityisesti kun on salamien vaara.
- Älä käytä tätä työkalua huonosti valaistussa paikassa. Käyttäjällä on oltava esteetön näkyvyys työalueelle, jotta hän näkee mahdolliset vaaratekijät.
- Kuulosuojaimet vaikeuttavat varoitusten kuulemista (hälytyksiä ja huutoja). Käyttäjän on kiinnitettävä enemmän huomiota siihen, mitä työalueella tapahtuu.
- Älä anna minkään häiritä sinua. Keskity aina työhösi. Ajattele ja harkitse toimiesi vaikutuksia huolella.
- Samankaltaisten laitteiden käyttö lähettyvillä kasvattaa kuulovaurion riskiä sekä vaaraa, että joku muu tulee työalueellesi.
- Pidä vakaa tasapaino. Älä kurkota liian pitkälle. Liian pitkälle kurkotta minen saattaa johtaa tasapainon menettämiseen.
- Seiso rinteissä aina tukevasti. Kävele, älä koskaan juokse.
- Pidä kaikki ruumiinosat kaukana liikkuvista osista. Pyörivät siipipyörän siivet voivat aiheuttaa vakavia vammoja. Sammuta tuote ja varmista, että siipipyörän siivet ovat lakanneet pyörimästä, ennen kuin avaat puhaltimen luukun tai asennat/vaihdat putken tai avaat tai irrotat roskapussin.
- Älä koskaan käytä laitetta ilman asianmukaisia varusteita. Kun käytät laitetta puhaltimena, asenna siihen aina puhaltimen putket ja sulje puhaltimen luukku. Kun käytät laitetta imurina, asenna siihen aina imuputket ja pussi.
- Älä muunna laitetta millään tavoin tai käytä osia tai lisävarusteita, jotka eivät ole valmistajan suosittelemia.

VAROITUS

Jos tuote putoaa, saa kovan iskun tai alkaa täristä normaalia enemmän, sammuta se heti ja tarkista se vaurioiden varalta tai paikanna tärinän syy. Valtuutetun huoltopisteen on korjattava tai vaihdettava vioittuneet osat asianmukaisesti.

- Jotta pyörivien osien koskettamisesta aiheutuvan loukkaantumisen vaara olisi pienempi, pysäytä laite, irrota se pistorasiasta ja varmista, että kaikki liikkuvat osat ovat pysähtyneet, ennen kuin teet seuraavia:
 - ennen tukoksen poistamista.
 - kun jätät tuotteen valvomatta
 - ennen kuin asennat tai irrotat lisävarusteita
 - ennen tuotteen tarkastusta, ylläpitoa ja huoltoa
 - tarkistaaksesi tuotteen vaurioilta sen törmättyä vieraskappaleeseen
 - Jos tuote alkaa täristä epänormaalisti (tarkista välittömästi)

VAROITUS

Puhallin/imuri saattaa olla varustettu valjailia. Säädä valjaat huolella siten, että ne auttavat mukavasti tukemaan tuotteen painon.

Paikanna pikavapautusmekanismi ja harjoittele sen käyttöä ennen kuin alat käyttää laitetta. Sen asianmukainen käyttö voi hätätilanteessa estää vakavan loukkaantumisen. Älä koskaan käytä vaatteita valjaiden päällä tai muutoin estä pikavapautusmekanismin käyttöä.

PUHALTIMEN TURVALLISUUSVAROITUKSET

- Käytä pölyisissä paikoissa hengityssuodatinta, jotta pölyn hengittämisestä aiheutuvat riskit pienenevät.
- Älä osoita puhaltimen suutinta ihmisiä tai lemmikkejä kohden.

- Älä koskaan aseta kappaleita puhaltimen putkien sisälle.
- Älä käytä laitetta avoimien ikkunoiden lähellä
- Jos olosuhteet ovat pölyiset, kostuta pintoja hieman.
- Käytä täyttä puhallinsuuttimen jatkoa, jotta ilmasuihku kohdistuu lähelle maata.
- Älä aseta puhallinta irrallisten roskien päälle tai lähelle. Ottoaukkoon saattaa imeytyä roskia, mikä aiheuttaa laitteelle vaurioita.

IMURIN TURVALLISUUSVAROITUKSET

⚠ VAROITUS

Älä koskaan käytä imuria pelkällä ylemmällä imuputkella. Loukkaantumisen vaara lisääntyy huomattavasti, jos et noudata tätä varoitusta.

- Älä käytä imuria, jos siihen ei ole asennettu pussia; lentävät roskat voivat aiheuttaa vakavan vamman. Tarkista, että pussin on täysin suljettu, ennen kuin käytät laitetta.
- Liikuttele imuria sivulta toiselle roskien ulkoreinaa myöten. Vältä tukkeutuminen olematta asettamatta imuputkea suoraan roskakasaan.
- Pitele moottoria imuputken ottopäätä korkeammalla.
- Suuntaa imuputki aina alamäkeen, kun työskentelet rinteessä.
- Vältä vakavat vammat ja laitteen vioittuminen olemalla imemättä kiviä, särkynyttä lasia, pulloja ja muita vastaavia kappaleita.
- Vältä tilanteita, joissa pussi voi syttyä tuleen. Älä käytä laitetta avotulen lähellä. Älä imuroi kuumaa tuhkaa takasta, grillistä, nuotiosta tms. Älä imuroi tupakoita tai sikareita, elleivät ne ole täysin jäähtyneet.

KULJETUS JA VARASTOITAESSA

- Sammuta tuote, irrota se pistorasiasta ja anna sen jäähtyä ennen varastointia ja kuljetusta.

- Puhdista laitteesta kaikki vieraat materiaalit. Varastoi laite viileään, kuivaan ja hyvin tuuletettuun paikkaan, jossa lapset eivät pääse siihen käsiksi. Pidä poissa syövyttäviltä aineilta kuten puutarhakemikaaleilta ja jäänsulatussuolailta. Älä säilytä ulkona.
- Kiinnitä tuote kuljettaessa siten, että se ei pääse liikkumaan tai kaatumaan, jotta vältytä loukkaantumisilta ja vaurioilta.

HUOLTO

⚠ VAROITUS

Käytä ainoastaan alkuperäisiä valmistajan tuottamia varaosia, lisälaitteita ja lisävarusteita. Tämän noudattamatta jättäminen voi johtaa loukkaantumiseen ja huonoon tulokseen ja voi mitätöidä takuun.

⚠ VAROITUS

Huolto kaipaavaa suurta huolellisuutta ja hyvää työkalun tuntemusta: Se on annettava pätevän teknikon tehtäväksi. Suosittelemme, että viet työkalun korjattavaksi lähimpään valtuutettuun liikkeeseen. Käytä vaihdossa yksinomaan alkuperäisiä varaosia.

- Voit tehdä tässä käyttöoppaassa kuvattuja säätöjä ja korjauksia. Jos laite vaatii muuta huoltoa, ota yhteys valtuutettuun huoltopisteeseen.
- Puhdista tuote aina käytön jälkeen pehmeällä ja kuivalla liinalla.
- Varmista aina, että ruuvit ja mutterit ovat tiukasti kiinni, jotta tuote olisi aina turvallinen ja käyttövalmis. Valtuutetun huoltopisteen on korjattava tai vaihdettava vioittuneet osat asianmukaisesti.
- Älä koskaan yritä ohittaa suojan interlock-ominaisuutta.

KÄYTTÖÖN LIITTYVÄT RISKIT

Vaikka tuotetta käytettäisiin ohjeiden mukaisesti, ei ole mahdollista täysin eliminoida tiettyjä käyttöön liittyviä riskitekijöitä. Käytössä voi aiheutua seuraavia vaaroja, ja käyttäjän

tulee kiinnittää erityistä huomiota niiden välttämiseen:

- Tärinän aiheuttama vamma. Käytä aina työhön sopivaa laitetta. Käytä nimettyjä kahvoja ja rajoita työaikaa sekä altistumista.
- Liian kova melu voi aiheuttaa kuulovamman. Käytä suojalaseja ja rajoita altistumista.
- Puhaltimen putken tai imurin poistoaukon ilmavirran sinkoamista kappaleista aiheutuva vamma, jos pussia ei ole asennettu tai se on vioittunut. Käytä aina riittävän hyviä suojalaseja.

RISKIEN VÄHENTÄMINEN

Raporttien mukaan käsikäyttöisten laitteiden tärinä voi joidenkin kohdalla myötävaikuttaa Raynaud's Syndromen (Raynauodin oireen) ilmenemiseen. Oireita ovat pistely, turtuus ja sormien kalpeneminen, yleensä kylmässä ilmassa. Perinnölliset tekijät, kylmyys ja kosteus, ruokavalio, tupakointi sekä työtavat voivat kaikki myötävaikuttaa näiden oireiden ilmenemiseen. Käyttäjää voi ehkäistä tärinän aiheuttamia vaikutuksia seuraavasti:

- Pidä itsesi lämpimänä kylmällä säällä. Käytä tuotteen käytön aikana käsineitä, jotta kätesi ja ranteesi pysyvät lämpöisinä. Raporttien mukaan kylmä ilma on tärkeä tekijä Raynaud's Syndromen (Raunaudin oireiden) ilmenemisessä.
- Harjoita kunkin käyttöjakson jälkeen liikuntaa, jotta verenkierto lisääntyisi.
- Pidä työn aikana säännöllisesti taukoja. Rajoita päivittäisen tärinän määrää.

Jos mitään yllä mainittuja oireita ilmenee, lopeta heti laitteen käyttö ja kerro oireista lääkärille.

VAROITUS

Laitteen pitkittynyt käyttö voi aiheuttaa tai vaikeuttaa vammoja. Kun käytät mitä tahansa laitetta pitkiä aikoja, muista pitää säännöllisiä taukoja.

TUNNE TUOTTEESI

Katso sivu 164.

1. Puhaltimen suojus

2. Ylempi imuputki
3. Alempi imuputki
4. Ohjainpyörät
5. Nopea suutin
6. Alempi puhaltimen putki
7. Ylempi puhaltimen putki
8. Imurin pussi
9. Pussin sovitin
10. Puhallin/imuritilan valintavipu
11. Etukädensija
12. Nopeussäädin
13. Takakädensija
14. On/Off-liipaisin

TUOTTEESSA OLEVAT SYMBOLIT



Lue ja ymmärrä kaikki ohjeet ennen tuotteen käyttöä ja noudata kaikkia varoituksia ja turvallisuusohjeita.



Varo sinkoutuneita ja muita lentäviä esineitä. Pidä kaikki sivulliset vähintään 15 metrin päässä toiminta-alueelta – erityisesti lapset ja lemmikit.



Pyörivät puhaltimet Pidä kädet ja jalat poissa aukoista tuotteen käydessä.



Käytä kuulosuojaimia



Käytä silmäsuojaimia



Älä altista konetta sateelle tai kosteudelle.



Sammuttaminen: irrota pistoke pistorasiasta ennen puhdistusta tai huoltoa.



Jos johto vioittuu tai katkeaa, irrota se heti pistokkeesta ennen sen huoltoa.



Tämä työkalu on sen EU-maan kaikkien sääntömääräisten standardien mukainen, josta se on ostettu.



Luokan II laite, kaksoisieristetty



Käytöstä poistettavia sähkölaitteita ei pidä hävittää talousjätteiden mukana. Ne on mahdollisuuksien mukaan pantava kiertoon. Kierrätysohjeita antavat kunnan viranomaiset ja vähittäiskauppiat.



Taattu äänenteho on 108 dB.



Puhallintila



Imuritila



Ukrainalainen säädöstenmukaisuusmerkintä



EurAsian-vaatimustenmukaisuusmerkki

TÄMÄN KÄSIKIRJAN SYMBOLIT



Kytke pistorasiaan



Irrota pistorasiasta



Huomautus



Varoitus

Seuraavat signaalisanat ja merkitykset on tarkoitettu selittämään tähän tuotteeseen liittyviä riskin tasoja.

⚠ VAARA

Ilmaisee välitöntä vaaratilannetta, joka ellei sitä vältetä, johtaa kuolemaan tai vakavaan loukkaantumiseen.

⚠ VAROITUS

Ilmaisee potentiaalisen vaaratilanteen, joka ellei sitä vältetä, johtaa kuolemaan tai vakavaan loukkaantumiseen.

⚠ HUOMAUTUS

Ilmaisee potentiaalisen vaaratilanteen, joka ellei sitä vältetä, saattaa johtaa pienempään tai keskivaikeaan loukkaantumiseen.

HUOMAUTUS

Ilman turvallisuusvaroitussymbolia ilmoittaa tilanteesta, jossa omaisuutta saattaa vaurioitua.

Sikkerhet, ytelse og driftssikkerhet er gitt topp prioritet i konstruksjonen av din elektriske blåser/støvsuger.

TILTENKT BRUK

Produktet er kun til utendørs bruk.

Dette produktet er ikke ment å bli brukt av barn eller personer med nedsatte fysiske, mentale eller sensoriske evner.

Produktet er ment for å blåse lett smuss blant annet blader, gress og annet hageavfall. Den er ment å støvsuge og kverne lett avfall som beskrevet over, for deretter å transportere det inn i oppsamleren. Det er ikke laget for å suge opp vann eller andre væsker.

⚠ ADVARSEL

Når produktet brukes må sikkerhetsreglene følges. For din egen sikkerhet og sikkerheten til tilskuerne, må du ha lest og forstått disse instruksene før du tar i bruk produktet. Vennligst ta vare på instruksjonene for fremtidig bruk.

⚠ ADVARSEL

Dette produktet er ikke ment å bli brukt av barn eller personer med nedsatte fysiske, mentale eller sensoriske evner. Barn må ha riktig tilsyn for å sikre at de ikke leker med produktet.

GENERELLE SIKKERHETSADVARSLER

OPPLÆRING

- Les instruksjonsmanualen nøye. Gjør deg kjent med styringen og riktig bruk av produktet.
- Du må aldri la barn, personer med redusert fysisk, sensorisk eller mental kapasitet eller mangel på erfaring og kunnskap eller personer som ikke kjenner disse instruksene, bruke produktet. Lokale forskrifter kan begrense en alder av operatøren.
- Husk at operatøren eller brukeren er ansvarlig for uhell og farer som andre personer og deres eiendom får påført.

- Hold tilskuere, barn og kjæledyr 15 m unna arbeidsområde. Stopp produktet når noen kommer inn på området hvor produktet brukes.
- Ikke bruk utstyret når du er sliten, syk eller under påvirkning av alkohol, narkotika eller medisiner som kan påvirke reaksjonsevne og dømmekraft.

ELEKTRISK SIKKERHET

- Strømpluggene må passe til kontaktene. Foreta aldri noen form for endringer av støpslet. Ikke bruk noen form for adapterstøpsel til jordet elektrisk verktøy. Umodifiserte støpsler og passende stikkontakter vil redusere risikoen for elektrisk støt.
- Unngå utilsiktet start. Sjekk alltid at bryteren er i av-posisjon før du stikker pluggen i stikkontakten. Ikke bær produktet med fingeren på bryteren dersom det er koblet til strømmen.
- Unngå kroppskontakt med jordede overflater, som vannrør, radiatorer, kokeapparater og kjøleaggregater. Det er økt risiko for elektrisk støt dersom kroppen din har kontakt med jord.
- Ikke utsett produktet for regn eller høy fuktighet. Vann som trenger inn i apparatet vil øke risikoen for elektrisk støt.
- Utstyret må få strøm fra en elektrisk kurs med jordfeilbryter som ikke overstiger 30 mA.
- Før hver bruk skal strømledningen sjekkes for skader. Hvis skadet må den øyeblikkelig skiftes ut. Rull alltid ut ledningen under bruk for sammenrullede ledninger kan bli overopphetet.
- Hvis du har behov for å bruke en skjøteledning, sjekk at den er egnet til bruk utendørs og at den har en nominell strømkapasitet som er tilstrekkelig for å forsyne verktøyet ditt. Skjøteledningen må være merket med enten "H05 RN F" eller "H05 VV F". Sjekk skjøteledningen for skader før hver bruk. Rull alltid ut skjøteledningen under bruk for sammenrullede ledninger kan bli overopphetet. Skader på



skjøteledninger må ikke repareres med skiftes ut med tilsvarende type ledning.

- Påse at den elektriske ledningen er plassert slik at den ikke vil bli trådt på, snublet i eller på annen måte utsatt for skader eller belastninger.
- Plukk aldri opp eller bær produktet i den elektriske ledningen.
- Ikke trekk i ledningen for å frigjøre støpslet fra stikkkontakten.
- Hold ledningen vekk fra varme, olje og skarpe kanter.
- Legg strømledningen alltid bak deg og unna produktet.
- Påse at spenningen stemmer med det som angis for produktet. En navneplate på produktet viser enhetens spenning. Tilkoble aldri utstyret til en elektrisk kontakt med en spenning som skiller seg fra produktets.
- Påse at bryteren er i posisjon OFF før støpslet trekkes ut av den elektriske kontakten.

KLARGJØRING

- Visse regioner har forskrifter som begrenser bruken av produktet til definerte operasjoner. Spør de lokale myndigheter for råd.
- Når du bruker produktet, ha alltid på gode sko og lange bukser. Ikke bruk maskinen uten sko eller med åpne sandaler. Unngå bruk av løstsittende klær eller klær som har hengende stropper eller snører - disse kan hekte seg fast i bevegelige deler.
- Ikke bruk løstsittende klær eller smykker som kan bli trukket inn i luftinntakene.
- Sørg for at langt hår ikke når lenger ned en til skuldrene for å hindre at det kan fanges opp av roterende deler.
- Bruk alltid full hørselvern når du bruker dette produktet. Denne maskinen er meget støyfull og kan føre til varige hørselskader dersom man ikke bruker hørselvern for å begrense eksponeringen og følger anvisningen om å bruke hørselvern.
- Bruk alltid full øyebeskyttelse når du bruker dette produktet. Produsenten anbefaler

sterkt bruk av en full ansiktsmaske eller helt tette vernebriller. Vanlige briller eller solbriller gir ikke tilstrekkelig beskyttelse. Gjenstander kan når som helst bli kastet ut med stor fart av den sterke luftstrømmen og kan sprette tilbake fra harde overflater mot operatøren.

- Kontroller før hver bruk at alle styreenheter og sikkerhetsanordninger fungerer som de skal. Ikke bruk dette produktet hvis "av" knappen ikke stanser motoren.
- Før hver bruk, skal du alltid kontrollere visuelt for å se at oppkuttingen, kutteboltene og andre fester sitter godt (hvis montert), kabinettet er uskadet og beskyttelser og håndtak er ordentlig på plass.
- Lever produktet på et autorisert serviceverksted for å skifte ut skadde eller uleselige etiketter.
- Du må aldri bruke produktet med ødelagte vern eller beskyttelser eller uten sikkerhetsanordninger, for eksempel hvis avfallsoppsamlere ikke er på plass.
- Hold alle luftinntak rene for avfall.
- Bruk rake og kost for å løsne på smuss før blåsing/støvsuging.
- Klargjør arbeidsstedet før hver gangs bruk. Fjern alle gjenstander som steiner, knust glass, spiker, wire eller hyssing som kan bli slengt lange avstander med stor fart.
- Bruk produktet kun på et fast og flatt underlag.

⚠ ADVARSEL

Før du tar i bruk produktet i støvsugingsmodus, må du sette sammen øvre og nedre sugerør som vist på side 165. Dette er en engangshandling. Bruk aldri støvsugeren med kun øvre innsugsrør påsatt. Risikoen for personskade øker veldig dersom disse advarslene ikke overholdes.

BETJENING

- Hvis den elektriske ledningen skades under bruk, trekk støpslet umiddelbart ut av stikkkontakten. **Ikke ta på ledningen før du har koblet fra strømforsyningen.**

| |
|-----------|
| EN |
| FR |
| DE |
| ES |
| IT |
| NL |
| PT |
| DA |
| SV |
| FI |
| NO |
| RU |
| PL |
| CS |
| HU |
| RO |
| LV |
| LT |
| ET |
| HR |
| SL |
| SK |
| BG |
| UK |
| TR |



Ikke bruk maskinen dersom den elektriske ledningen er slitt eller skadet.

- Bruk maskinen kun til akseptable døgntider - ikke tidlig på morgenen eller sent på natten når folk kan føle seg forstyrret.
- Du må aldri bruke produktet i eksplosive omgivelser.
- Unngå å bruke produktet under dårlige værforhold, spesielt når det er fare for lynnedslag.
- Ikke bruk i dårlig lys. Operatøren må ha klar sikt over arbeidsfeltet for å identifisere potensielle farer.
- Bruk av hørselsvern reduserer muligheten for å høre advarsler (rop eller alarmer). Brukeren må være ekstra oppmerksom med hensyn til hva som skjer på arbeidsområdet.
- Ikke la deg bli avledet og hold alltid konsentrasjonen på det du driver med. Ha alltid i bakhode og vær klar over hva konsekvensen av dine handlinger kan være.
- Bruk av lignende utstyr i nærheten øker faren for både hørselskade og muligheten for at andre kommer inn i din arbeidssone.
- Ha god fotfeste og ballanse til enhver tid. Ikke len deg for langt. Hvis du lener deg for langt, kan du miste balansen.
- Sørg for å ha godt fotfeste i skråninger. Gå, du må aldri løpe mens du arbeider med maskinen.
- Hold alle deler av kroppen vekke fra bevegelige deler. Bladene i roterende løpehjul kan skape alvorlig personskade. Stans motoren og forsikre deg om at impellerbladene har stanset før du åpner viftedekselet, setter på/bytter rør, åpner eller fjerner søppelposen.
- Kjør ikke motoren uten at korrekt utstyr er montert. Når produktet brukes som blåser, sett alltid på blåserørene og lukk viftedekselet. Når maskinen brukes som suger, monter alltid sugerrørene og oppsamlingsposen.
- Du må ikke endre maskinen på noe måte eller bruke deler og tilbehør som ikke er

anbefalt brukt av produsenten.

⚠ ADVARSEL

Dersom produktet faller i bakken, får et sterkt slag eller starter å vibrere unormalt, stans produktet omgående og sjekk for skader eller finn ut hva som er årsaken for vibrasjonene. Enhver skade må reparere helt eller delen skiftes av et autorisert serviceverksted.

- For å minske faren for personskader forårsaket av kontakt med roterende deler, stans alltid motoren, koble fra strømtilførselen og sjekk at alle bevegelige deler har stanset før:
 - før du renser eller åpner tette enheter
 - å la produktet stå uten tilsyn
 - før installasjon eller fjerning av tilbehør
 - før kontroll, vedlikehold og arbeider på produktet
 - For å kontrollere produktet for skader etter at det har kommet borti et fremmedlegeme
 - hvis produktet starter å vibrere unormalt (sjekk omgående)

⚠ ADVARSEL

Din blåser/støvsuger kan utstyres med sele. Juster selene forsiktig slik at de hjelper med å bære produktets vekt.

Finn ut hvordan du skal bruke hurtigutløsermekanismen og øv deg på å bruke den før du tar i bruk maskinen. Riktig bruk kan hindre alvorlige personskader dersom en nødsituasjon skulle oppstå. Du må aldri bruke ekstra klær over selen eller på annen måte hindre hurtigutløsermekanismen.

BLÅSER SIKKERHETSADVARSLER

- Bruk ansiktsmaske med filter ved arbeid i støvete miljøer for å redusere risikoen for skader som følge av innånding av støv.
- Ikke rett blåsemunnstykket mot mennesker eller dyr.

- Sett aldri gjenstander inni blåserørene.
- Ikke bruk maskinen i nærheten av åpne vinduer.
- Fukt overflatene lett dersom det er støvete omgivelser.
- Bruk full blåsemunnstykke slik at luftstrømmen kan brukes nær bakken.
- Ikke sett blåseren på toppen av eller nær løstliggende smuss. Smuss kan bli sugd inn i inntaksventilene, noe som kan føre til skader på produktet.

STØVSUGER SIKKERHETSADVARSLER

⚠ ADVARSEL

Bruk aldri støvsugeren med kun øvre innsugsrør påsatt. Risikoen for personskade øker veldig dersom disse advarslene ikke overholdes.

- Ikke bruk støvsugeren uten at støvsugerposen er satt på, ellers kan smuss bli slengt ut og forårsake alvorlige personskader. Forsikre deg om at støvsugerposen er helt lukket før du starter bruk.
- Flytt støvsugeren fra side til side langs ytre kant av smusset. For å unngå tiltetting, ikke sett støvsugerrøret direkte i avfallshaugen.
- Hold motoren høyere enn inntaksenden på støvsugingsrøret.
- Pek alltid nedover med sugerrøret når du arbeider i en bakke.
- For å unngå alvorlige personskader hos operatøren eller skader på produktet, må du ikke forsøke å støvsuge steiner, knust glass, flasker eller andre lignende gjenstander.
- Unngå situasjoner som kan føre til antenning av oppsamlingsposen. Ikke bruk enheten nær åpen flamme. Ikke sug opp aske fra et varmt ildsted, grillsted, kratt, etc. Ikke sug opp sigar- og sigarettstumper dersom ikke asken er helt kald.

TRANSPORT OG LAGRING

- Stans maskinen, koble fra strømuttaket og å la den kjøle ned før lagring eller transport.
- Fjern alle fremmedelementer fra produktet. Lagres på et kjølig, tørt og godt ventilert sted som er utilgjengelig for barn. Hold den borte fra korrosive materialer, så som ugressmidler og veisalt. Ikke oppbevar utendørs.
- Ved transport må produktet sikres mot å komme i bevegelse eller falle for å unngå skade på personer eller produktet.

VEDLIKEHOLD

⚠ ADVARSEL

Bruk kun produsentens originale reservedeler, tilleggsutstyr og påsatser. Dersom dette ikke følges, kan det forårsake personskader, dårlig funksjon og kan annullere garantien din.

⚠ ADVARSEL

Service krever meget stor forsiktighet og kunnskap og bør utføres kun av kvalifisert teknisk personale. Vi anbefaler at man sender verktøyet tilbake til nærmeste autoriserte servicesenter for reparasjon. Når service utføres skal kun identiske reservedeler brukes.

- Du kan foreta justeringer og reparasjoner som er beskrevet i denne brukermanualen. For andre reparasjoner, ta kontakt med et autorisert serviceverksted.
- Etter hver bruk, rens produktet med en myk tørr klut.
- Kontroller all mutter, bolter og skruer med jevne mellomrom at de er skrudd fast for å sikre at produktet er i driftssikker stand. Enhver del som er skadet må repareres eller skiftes ut ved et autorisert serviceverksted.
- du må aldri prøve å overstyre låsenheten på beskyttelsen.

GJENVÆRENDE RISIKO

Selv om utstyret brukes som beskrevet er det ikke mulig å unngå enhver gjenværende risiko. Følgende faresituasjoner kan oppstå ved bruk, og operatøren må legge spesielt vekt på å unngå følgende:

- Personskade på grunn av vibrasjon. Bruk alltid riktig verktøy til jobben. Bruk håndtakene og begrens arbeidstiden og eksponeringen.
- Eksponering for støy kan føre til hørselskader. Bruk hørselvern og begrens eksponeringen.
- Det kan oppstå skader fra flygende gjenstander fra blåserørets luftstrøm eller støvsugerens utgangsåpning dersom støvsugerposen ikke er satt på eller ødelagt. Bruk alltid tilstrekkelig øyevern.

FAREDUKSJON

Det foreligger rapporter om at vibrasjoner fra håndholdt verktøy for enkelte personer kan bidra til en tilstand som kalles Raynauds Syndrome. Symptomene kan omfatte følelsesløshet og gjøre fingrene bleke, vanligvis synlig ved eksponering til lave temperaturer. Arvelige faktorer, eksponering mot lave temperaturer og fuktighet, diett, røyking og arbeidspraksis blir alle ansett for å kunne bidra til å utvikle disse symptomene. Brukeren kan iverksette tiltak for mulig å redusere virkningene av vibrasjonene:

- Hold kroppen din varm i kaldt vær. Bruk hansker og hold hender og håndledd varme ved bruk av produktet. Det er rapportert at kaldt vær er en viktig faktor som bidrar til Raynauds Syndrome.
- Etter hver arbeidsperiode bør det utføres øvelser for å øke blodsirkulasjonen.
- Ta ofte pauser fra arbeidet som utføres. Begrens mengden av eksponering pr. dag.

Hvis du opplever noen av symptomene på denne tilstanden må du øyeblikkelig avbryte arbeidet og oppsøke en lege med disse symptomene.

⚠ ADVARSEL

Hvis man bruker verktøyet for lenge av gangen, kan det føre til eller forverre allerede eksisterende personskade. Når du bruker et verktøy over en lenger tidsperiode, husk å ta regelmessige pauser.

KJENN PRODUKTET DITT

Se side 164.

1. Viftedeksel
2. Øvre støvsugingsrør
3. Nedre støvsugingsrør
4. Løpehjul
5. Høyhastighetsmunnstykke
6. Nedre blåserør
7. Øvre blåserør
8. Støvsugingsbag
9. Bagadapter
10. Velgerspak blåser-/støvsugingsmodus
11. Fremre håndtak
12. Hastighetsvelger
13. Bakre håndtak
14. Av/På-bryter

SYMBOLER PÅ PRODUKTET



Les og forstå alle instruksjoner før du tar i bruk produktet, følg alle advarsler og sikkerhetsanvisninger.



Vær oppmerksom på utkastede eller flygende gjenstander. Hold tilskuere, spesielt barn og dyr, på god avstand, det vil si minst 15 meter fra arbeidsområdet



Roterende vifter. Hold hender og føtter unna åpninger mens produktet er i gang.



Bruk hørselvern



Bruk øyebeskyttelse



Ikke utsette for regn eller fuktige forhold.



Skru av: fjern pluggen fra stikkontakten før vedlikehold og rengjøring.



Fjern øyeblikkelig støpslet fra stikkontakten dersom ledningen er skadet eller skåret over.



Dette verktøyet overholder samtlige standarder i det EU-landet det er kjøpt i.



Klasse II verktøy, dobbelisolasjon



Avfall fra elektriske produkter skal ikke kastes sammen med husholdningsavfall. Vennligst resirkulervedeksisterende avfallsbehandlingssted.

Undersøk hos dine lokale myndigheter eller forhandler for råd om resirkulering.



Garantert lydnivå er 108 dB



Blåsemodus



Støvsugingsmodus



Ukrainsk merke for konformitet



EurAsian Konformitetstegn

SYMBOLER I DENNE MANUALEN



Tilkoble til strømkontakten



Ta ut av strømkontakten



Merk



Advarsel

Følgende symboler og betydninger forklarer risikonivået som er assosiert med dette produktet.

⚠ FARE

Indikerer en øyeblikkelig farlig situasjon, som, hvis ikke unngås, kan resultere i død eller alvorlig personskade.

⚠ ADVARSEL

Indikerer en potensiell farlig situasjon, som, hvis ikke unngås, kan resultere i død eller alvorlig personskade.

⚠ FORSIKTIGHETSREGEL

Indikerer en potensiell farlig situasjon, som, hvis ikke unngås, kan resultere i mindre eller moderat personskade.

FORSIKTIGHETSREGEL

Uten sikkerhetsvarselsymbol

Indikerer en situasjon som kan føre til skade på eiendom.

При разработке этой электрической воздуходувки/пылесоса особое внимание уделялось безопасности, производительности и надежности.

НАЗНАЧЕНИЕ

Инструмент предназначен только для использования на открытом воздухе.

Данное устройство не предназначено для использования детьми или лицами с ограниченными физическими, психическими или сенсорными возможностями.

Продукт предназначен для сдувания мелкого мусора, в том числе листьев, травы и тому подобных предметов. Он предназначен для того, чтобы засасывать и слегка измельчать обрезки, как описано выше, и помещать это в мусоросборник. Оно не предназначено для всасывания или разряжения воды и других жидкостей.

▲ ОСТОРОЖНО

При использовании устройства необходимо соблюдать правила техники безопасности. В целях вашей безопасности и безопасности окружающих необходимо прочитать и полностью уяснить настоящие инструкции перед эксплуатацией устройства. Сохраните данные инструкции для последующего использования.

▲ ОСТОРОЖНО

Данное устройство не предназначено для использования детьми или лицами с ограниченными физическими, психическими или сенсорными возможностями. Не допускайте того, чтобы дети играли с этим устройством.

ОБЩИЕ ПРАВИЛА БЕЗОПАСНОСТИ

ОБУЧЕНИЕ

- Внимательно прочтите данные инструкции. Ознакомьтесь с элементами управления и правильным использованием устройства.
- Никогда не позволяйте детям или людям с ограниченными физическими, сенсорными или умственными способностями, а также людям, незнакомым с этими инструкциями,

использовать это устройство. Местные инструкции могут ограничить возраст оператора.

- Иметь в виду, что оператор или пользователь ответственны за несчастные случаи или опасности, встречающиеся другим людям или их собственности.
- Не допускайте прохожих, детей и домашних животных ближе чем на 15 м от рабочей зоны. Остановите устройство, если кто-то войдет в рабочую зону.
- Не работайте с изделием, если вы утомлены, больны, находитесь в состоянии алкогольного, наркотического опьянения или под воздействием лекарственных средств.

ЭЛЕКТРОБЕЗОПАСНОСТЬ

- Вилка должна соответствовать розетке. Не подвергайте вилку кабеля каким-либо изменениям. Не используйте какие-либо переходники с электроинструментами с заземляющим проводом. Использование оригинальных штепсельных вилок и соответствующих розеток предотвращает опасность поражения электрическим током.
- Избегайте неумышленного старта. Прежде чем подключать устройство к источнику электропитания, убедитесь, что выключатель находится в положении «Выкл.». Не несите включенное изделие с вашим пальцем на выключателе.
- Не допускайте контакта частей тела с поверхностями заземленных предметов, таких как трубы, радиаторы отопления, кухонные плиты, холодильники. При соприкосновении частей тела человека с заземленными участками возрастает опасность поражения электрическим током.
- Не допускайте попадания влаги на изделие и не используйте его во влажной атмосфере. Попадание влаги в устройство может привести к выходу его из строя или поражению электрическим током.
- Электропитание на устройство должно подаваться через устройство защитного отключения (RCD) с силой тока размыкания не более 30 мА.



- Перед каждым использованием проверьте шнур питания на наличие повреждений. В случае повреждения сразу же замените его. Всегда разматывайте шнур питания во время эксплуатации устройства, гибкие кабели могут перегреваться.
 - Если необходимо использовать удлинительный шнур, убедитесь, что он подходит для использования вне помещений, и допустимый ток достаточен для питания инструмента. Удлинительный шнур должен быть маркирован «H05 RN-F» или «H05 VV-F». Проверьте удлинительный шнур перед каждым использованием на предмет повреждений. Всегда разматывайте удлинительный шнур во время эксплуатации устройства, потому что спиральные шнуры могут перегреваться. Поврежденные удлинители не подлежат ремонту, их следует заменять аналогичным устройством.
 - Разложите кабель питания таким образом, чтобы не наступить на него, не запнуться об него и исключить иные возможности его повреждения или оказания нагрузки на него.
 - Запрещается тянуть за кабель питания для поднятия или перемещения изделия.
 - Запрещается тянуть за кабель питания, чтобы отключить его от сети.
 - Не раскладываете кабель питания вблизи источников тепла, емкостей с маслом и острых предметов.
 - Всегда держите шнур позади устройства.
 - Убедитесь, что напряжение является правильным для вашего изделия. В паспортной табличке устройства указано его номинальное напряжение. Запрещается подключать устройство к сети переменного тока, напряжение которой отличается от указанного.
 - Перед отключением устройства от сети питания убедитесь, что выключатель находится в выключенном положении.
- ПОДГОТОВКА**
- В некоторых регионах существуют ограничения на использование некоторых операций с данным устройством. Проконсультируйтесь с местными органами власти.
 - Во время эксплуатации изделия всегда носите специальную обувь и длинные брюки. Не работайте с инструментом босиком или в открытых сандалиях. Не носите слишком свободную одежду или такую одежду, в которой есть свисающие шнурки или завязки, они могут застрять в движущихся частях.
 - Не носите просторную одежду или ювелирные украшения, которые могут зажаться в воздухозаборное отверстие.
 - Соберите длинные волосы выше плеч, чтобы предотвратить их попадание в движущиеся части.
 - Обязательно носите специальные устройства для защиты слуха. Данное изделие сильно шумит, и длительное воздействие шума может привести к повреждению слуха, если не соблюдать инструкции по ограничению времени воздействия шума, снижению уровня шума и защите органов слуха.
 - Обязательно носите специальные устройства защиты зрения. Производитель настоятельно рекомендует носить шлем-маску или защитные очки закрытого типа. Обычные очки или солнцезащитные очки не являются надлежащей защитой. Мощная струя воздуха может привести к быстрому отлетанию посторонних предметов и их отскоку от твердых поверхностей в сторону оператора.
 - Убедитесь перед каждым использованием, что все элементы управления и предохранительные устройства функционируют правильно. Не используйте устройство, если невозможно остановить двигатель выключателем.
 - Перед каждым использованием обязательно выполняйте визуальную проверку, чтобы убедиться в том, что болты и иные крепежные детали затянуты (если применимо), корпус не поврежден, а защитные приспособления и ручки находятся на месте.



- Обратитесь в авторизованный сервисный центр для замены поврежденных или нечитаемых этикеток.
- Запрещается эксплуатация продукта с неисправными защитными устройствами или щитками, а также без предохранительных устройств, например, без установленного мусоросборника.
- Очищайте от мусора вентиляционные отверстия для охлаждения двигателя.
- Используйте грабли и метлы, чтобы убрать остатки, прежде чем сдувать/пылесосить.
- Перед каждым использованием проверяйте рабочую зону. Уберите такие объекты, как камни, осколки стекла, гвозди, провода или шнуры, которые могут далеко отлететь под воздействием быстрого потока воздуха.
- Работайте с изделием, стоя только на твердой, ровной поверхности.

▲ ОСТОРОЖНО

Перед использованием устройства в режиме пылесоса необходимо соединить верхнюю и нижнюю всасывающие трубки, как показано на стр. 165. Это только однократная операция. Никогда не включайте пылесос, если установлена одна только верхняя всасывающая трубка. Опасность получения травмы значительно возрастает, если вы не будете соблюдать это предупреждение.

ЭКСПЛУАТАЦИЯ

- Если в процессе эксплуатации поврежден кабель питания, сразу же отключите вилку кабеля от сети питания. **Не прикасайтесь к проводу, пока он будет отсоединен от электропитания.** Не пользуйтесь инструментом, если кабель питания поврежден или изношен.
- Используйте устройство только в рабочее время, а не рано утром или поздно вечером, когда это может мешать окружающим.
- Никогда не используйте изделие во взрывоопасной атмосфере.
- Избегайте использования устройства в плохих погодных условиях, особенно когда существует риск попадания молнии.
- Не работайте при недостаточном освещении. Оператор должен четко видеть рабочую зону в целях выявления потенциальных опасностей.
- Использование средств защиты органов слуха снижает способность услышать предупреждения (крики или сигналы). Работающий уделять повышенное внимание к происходящему в зоне работы.
- Не отвлекайтесь, будьте всегда сконцентрированы на том, что вы делаете. Тщательно продумывайте и учитывайте последствия своих действий.
- Эксплуатация аналогичных устройств вблизи рабочей зоны повышает риск повреждения слуха и опасность появления посторонних лиц в вашей рабочей зоне.
- Держать устойчивую опору и баланс. Не перенапрягать. Перенапряжение может кончатся потерей баланса.
- Обеспечьте устойчивость ног при работе на склонах. Передвигайтесь шагом, не бегайте.
- Не допускайте попадания частей тела в движущиеся детали. Вращающиеся лопасти крыльчатки могут стать причиной тяжелой травмы. Остановите устройство и убедитесь, что вращающиеся лопасти остановились, прежде чем перед открывать дверцу вентилятора, устанавливая или менять трубки, открывать или снимать мешок для мусора.
- Никогда не запускайте устройство без установленной на него соответствующей оснастки. При использовании устройства в качестве воздуходувки всегда устанавливайте трубки выдувания и закрывайте крышку вентилятора. При использовании устройства в качестве пылесоса всегда устанавливайте трубки для всасывания и мешок для мусора.
- Запрещается каким-либо образом изменять конструкцию устройства или использования детали и принадлежности, не рекомендованные производителем.

⚠ ОСТОРОЖНО

Если устройство уронили, оно издает громкий стук или начинает чрезмерно вибрировать, немедленно остановите его и проверьте на наличие повреждений или выясните причину вибрации. Любые поврежденные детали должны быть надлежащим образом отремонтированы или заменены в авторизованном сервисном центре.

- Для снижения риска получения травмы, связанной с касанием вращающихся частей, обязательно выключите устройство, извлеките шнур питания из розетки и убедитесь, что все движущиеся части остановились:
 - перед очисткой или устранением забивания
 - оставляя продукт без присмотра
 - перед установкой и снятием насадок
 - перед проверкой, техобслуживанием и эксплуатацией устройства
 - проверьте устройство на предмет повреждения после удара о посторонний предмет
 - если продукт начинает вибрировать (проверьте немедленно).

⚠ ОСТОРОЖНО

Воздуходувка/пылесос могут поставляться с ремнем. Аккуратно отрегулируйте ремень, чтобы было удобно держать устройство.

Найдите механизм быстрого освобождения и опробуйте его перед началом использования устройства. Его правильное использование может предотвратить серьезные травмы в случае возникновения чрезвычайной ситуации. Никогда не носите одежду поверх ремня и никаким иным образом не ограничивайте доступ к механизму быстрого освобождения.

ПРЕДОСТЕРЕЖЕНИЯ ОТНОСИТЕЛЬНО БЕЗОПАСНОГО ПОЛЬЗОВАНИЯ ВОЗДУХОДУВКОЙ

- Для снижения опасности травмирования, связанного с вдыханием пыли при повышенной запыленности, надевайте на лицо защитную маску.
- Не направляйте выходное отверстие в режиме выдувания на людей или домашних животных.
- Не допускайте попадания посторонних предметов в трубки воздуходувки.
- Не работайте с устройством вблизи открытых окон.
- Слегка смочите поверхности в условиях сильной запыленности.
- Используйте дополнительную насадку воздуходувки, чтобы поток воздуха был близко к земле.
- Не ставьте воздуходувку поверх разбросанного мусора или вблизи него. Мусор может затянуться в воздухозаборник и привести к повреждению устройства.

ПРЕДОСТЕРЕЖЕНИЯ ОТНОСИТЕЛЬНО БЕЗОПАСНОГО ПОЛЬЗОВАНИЯ ПЫЛЕСОСОМ

⚠ ОСТОРОЖНО

Никогда не включайте пылесос, если установлена одна только верхняя всасывающая трубка. Опасность получения травмы значительно возрастает, если вы не будете соблюдать это предупреждение.

- Не используйте пылесос без мусоросборного мешка, летящий мусор может стать причиной серьезных травм. Убедитесь, что мусоросборный мешок полностью закрыт на молнию до начала работы.
- Перемещайте пылесос из стороны в сторону вдоль внешнего края мусора. Чтобы избежать засорения, не помещайте всасывающую трубку прямо в кучу мусора.
- Держите двигатель выше, чем впускной конец трубки всасывания.
- При работе на склоне всегда направляйте всасывающую трубку под уклон.

- Во избежание серьезной травмы оператора или повреждения устройства не убирать пылесосом камни, битое стекло, бутылки и тому подобные объекты.
- Избегайте ситуаций, которые могут привести к возгоранию мешка для мусора. Не работайте рядом с открытым огнем. Не очищайте всасыванием горячие кострища, ямы для барбекю, обожженные кусты и т.п., пока пепел окончательно не остынет. Не засасывайте брошенные окурки сигар или сигарет.

ТРАНСПОРТИРОВКА И ХРАНЕНИЕ

- Остановите устройство, отключите его от питания и дайте ему остыть перед постановкой на хранение или транспортировкой.
- Очистите устройство от всех посторонних материалов. Храните его в прохладном, сухом, хорошо проветриваемом и недоступном для детей месте. Не держите бензопилу рядом с коррозионными веществами, такими как садовые химикаты или размораживающая соль. Не храните на открытом воздухе.
- Для транспортировки закрепите изделие так, чтобы оно не могло перемещаться или упасть во избежание травмирования персонала или повреждения изделия.

ТЕХНИЧЕСКОЕ ОБСЛУЖИВАНИЕ

⚠ ОСТОРОЖНО

Используйте только оригинальные запчасти, аксессуары и насадки от производителя. Невыполнение этого требования может привести к травме, к снижению производительности и к аннулированию гарантии.

⚠ ОСТОРОЖНО

Обслуживание требует чрезвычайной заботы и знания и должно быть выполнено только квалифицированным техником обслуживания. Для обслуживания мы предлагаем, чтобы вы возвратили изделие вашему самому близкому уполномоченному центру обслуживания для ремонта. При обслуживании использовать только идентичные сменные части.

- Вы можете также выполнить другие виды регулировки и ремонтные работы, описанные в данном руководстве. По вопросу ремонта обращайтесь в авторизованный сервисный центр.
- После каждого использования протирайте изделие мягкой сухой тканью.
- Проверить все болты, задвижки, и винты, через короткие интервалы, на надлежащую плотность, чтобы убедиться, что изделие находится в безопасном, рабочем состоянии. В случае повреждения какой-либо детали необходимо обратиться в авторизованный сервисный центр для выполнения надлежащего ремонта или замены.
- Никогда не пытайтесь изменить функционирование системы защитной блокировки.

БУДЬТЕ ВСЕГДА ОСТОРОЖНЫ

Даже когда изделие используют согласно инструкциям, невозможно полностью устранить факторы риска. При эксплуатации могут возникнуть следующие ситуации, которым пользователь должен уделять особое внимание, чтобы избежать проблем:

- Травмы, вызываемые вибрацией. Применяйте инструмент только по своему назначению. Используйте надлежащие ручки и соблюдайте рабочий режим.
- Воздействие шума может привести к повреждению слуха. Носите устройства защиты слуха и ограничивайте продолжительность шумового воздействия.
- Травмы от летящих объектов из трубки

воздуходувки или выпускного отверстия пылесоса, если мешок не установлен или поврежден. Обязательно носите специальные устройства для защиты глаз.

СНИЖЕНИЕ РИСКА

Считается, что вибрация ручного инструмента может привести к проявлению у отдельных лиц так называемой болезни Рейно (Raynaud's Syndrome). К симптомам могут относиться покалывание, онемение и побеление пальцев (как при переохлаждении). Считают, что наследственные факторы, охлаждение и влажность, диета, курение и практический опыт способствуют развитию этих симптомов. Ниже приводятся меры, которые может принять оператор для снижения воздействия вибрации:

- Одевайтесь теплее в холодную погоду. При эксплуатации изделия носите перчатки, чтобы сохранить руки и запястья в тепле. Считается, что холодная погода является основным фактором, способствующим возникновению болезни Рейно (Raynaud's Syndrome).
- После каждого этапа работы выполните упражнения для усиления кровообращения.
- Чаще делайте перерывы в работе. Сократите длительность ежедневного пребывания на открытом воздухе.

При появлении каких-либо из указанных симптомов сразу же прекратите работу и обратитесь по их поводу к врачу.

⚠ ОСТОРОЖНО

Слишком продолжительное использование инструмента может привести к травме. При использовании инструмента в течение длительного времени делайте регулярные перерывы.

ИЗУЧИТЕ УСТРОЙСТВО

См. стр. 164.

1. Крышка вентилятора
2. Верхняя трубка всасывания
3. Нижняя трубка всасывания
4. Направляющие колеса
5. Высокоскоростное сопло

6. Нижняя трубка выдувания
7. Верхняя трубка выдувания
8. Мешок пылесоса
9. Адаптер мешка
10. Рычаг выбора режима воздуходувки/пылесоса
11. Передняя ручка
12. Переключатель скоростей
13. Задняя ручка
14. Кнопка запуска

УСЛОВНЫЕ ОБОЗНАЧЕНИЯ НА ПРОДУКТЕ



Внимательно прочитайте все инструкции перед началом работы с продуктом, соблюдайте все предупреждения и инструкции по безопасности.



Помните об опасности, которую представляют собой отбрасываемые устройством или вылетающие из-под него предметы. Не допускайте приближения посторонних лиц, особенно детей и домашних животных к рабочей зоне ближе чем на 15 м



Вращающиеся вентиляторы. Не приближайтесь к отверстиям во время работы устройства.



Следует надевать средства защиты органов слуха



Используйте средства защиты органов зрения



Не подвергайте инструмент воздействию дождя и не используйте в условиях повышенной влажности.



Выключите устройство: перед проведением чистки или обслуживания извлеките шнур питания из розетки



При повреждении или порезе кабеля питания или перед техническим обслуживанием отключите кабель питания от сетевой розетки.



Настоящий инструмент отвечает всем официальным стандартам страны ЕС, в которой он был приобретен.



Инструмент класса II, двойная изоляция

Отработанная электротехническая продукция должна уничтожаться вместе с бытовыми отходами.



Утилизируйте, если имеется специальное техническое оборудование.

По вопросам утилизации проконсультируйтесь с местным органом власти или предприятием розничной торговли.



Гарантированный уровень звуковой мощности 108 дБ



Режим воздуходувки



Режим всасывания



Украинский знак стандартизации

Знак Евразийского Соответствия Сертификат Соответствия No. TC RU C-DE.

AE11.B.04155



Срок действия Сертификата Соответствия по 08.11.2020
Некоммерческая организация Учреждение сертификации и экспертизы «Сертэкс»
109044 РФ, город Москва, 3-й Крутицкий переулоч, дом 11

УСЛОВНЫЕ ОБОЗНАЧЕНИЯ В ДАННОМ РУКОВОДСТВЕ.



Подключение к сетевой розетке



Отсоединение от сетевой розетки



Примечание



Осторожно

Следующие сигнальные слова и значения предназначены, чтобы объяснить уровни риска, связанного с этим изделием.

⚠ ОПАСНО

Указывает неизбежно опасную ситуацию, которая, если не избежать, кончится смертельным или серьезным ущербом.

⚠ ОСТОРОЖНО

Указывает потенциально опасную ситуацию, которая, если не избежать, может кончатся смертельным или серьезным ущербом.

⚠ ПРЕДОСТЕРЕЖЕНИЕ

Указывает потенциально опасную ситуацию, которая, если не избежать, может кончатся малым или уменьшенным ущербом.

ПРЕДОСТЕРЕЖЕНИЕ

Употребляется без предупреждающего знака

Указывает на ситуацию, которая может привести к повреждению имущества.

ТРАНСПОРТИРОВКА:

Категорически не допускается падение и любые механические воздействия на упаковку при транспортировке.

При разгрузке/погрузке не допускается использование любого вида техники, работающей по принципу зажима упаковки.

ХРАНЕНИЕ:

Необходимо хранить в сухом месте.

Необходимо хранить вдали от источников повышенных температур и воздействия солнечных лучей.

При хранении необходимо избегать резкого перепада температур.

Хранение без упаковки не допускается.

СРОК СЛУЖБЫ ИЗДЕЛИЯ:

Срок службы изделия составляет 5 лет.

Не рекомендуется к эксплуатации по истечении 5 лет хранения с даты изготовления без предварительной проверки.

Дата изготовления (код даты) отштампован на поверхности корпуса изделия.

Пример:

W17 Y2015, где Y2015 - год изготовления

W17 – неделя изготовления

Определить месяц изготовления можно согласно приведенной ниже таблице, на примере 2015 года.

Обратите внимание! Количество недель в месяце различается от года в год.

| МЕСЯЦ | ЯНВАРЬ | ФЕВРАЛЬ | МАРТ | АПРЕЛЬ | МАЙ | ИЮНЬ | ИЮЛЬ | АВГУСТ | СЕНТЯБРЬ | ОКТЯБРЬ | НОЯБРЬ | ДЕКАБРЬ | Год |
|--------|--------|---------|------|--------|-----|------|------|--------|----------|---------|--------|---------|------|
| Неделя | 01 | 05 | 09 | 14 | 18 | 22 | 27 | 31 | 36 | 40 | 44 | 49 | 2015 |
| | 02 | 06 | 10 | 15 | 19 | 23 | 28 | 32 | 37 | 41 | 45 | 50 | |
| | 03 | 07 | 11 | 16 | 20 | 24 | 29 | 33 | 38 | 42 | 46 | 51 | |
| | 04 | 08 | 12 | 17 | 21 | 25 | 30 | 34 | 39 | 43 | 47 | 52 | |
| | 05 | 09 | 13 | 18 | 22 | 26 | 31 | 35 | 40 | 44 | 48 | 53 | |
| | | | 14 | | | 27 | | | | | | | |



W przypadku elektrycznej dmuchawy/ odkurzacza zwrócono szczególną uwagę na zapewnienie bezpieczeństwa, wysokiej wydajności oraz niezawodności.

PRZEZNACZENIE

Produkt jest przeznaczony do użytku wyłącznie na zewnątrz pomieszczeń.

Produkt ten nie jest przeznaczony do użytkowania przez dzieci lub osoby o ograniczonych zdolnościach fizycznych, umysłowych lub sensorycznych.

Produkt jest przeznaczony do wydmuchiwania lekkich śmieci, w tym liści, trawy i innych odpadów ogrodowych. Jego przeznaczeniem jest odkurzanie i lekkie mulczowanie, zgodnie z powyższym opisem, jak również zbieranie ich do worka zbiorczego. Urządzenie nie jest przeznaczone do zasysania/odkurzania wody ani innych płynów.

▲ OSTRZEŻENIE

Podczas używania tego urządzenia należy przestrzegać odpowiednich zasad bezpieczeństwa. Ze względu na bezpieczeństwo użytkownika oraz osób postronnych, użytkownik musi w pełni zrozumieć te instrukcje przed rozpoczęciem używania produktu. Niniejszą instrukcję należy przechowywać w bezpiecznym miejscu do późniejszego użytku.

▲ OSTRZEŻENIE

Produkt ten nie jest przeznaczony do użytkowania przez dzieci lub osoby o ograniczonych zdolnościach fizycznych, umysłowych lub sensorycznych. Należy dopilnować, aby dzieci nie bawiły się produktem.

OGÓLNE OSTRZEŻENIA DOTYCZĄCE BEZPIECZEŃSTWA

SZKOLENIE

- Przeczytać uważnie wszystkie instrukcje. Należy zapoznać się z przyrządami sterowania oraz zasadami prawidłowej

obsługi produktu.

- Nie wolno pozwalać używać tego produktu dzieciom lub osobom o ograniczonych zdolnościach fizycznych, sensorycznych lub umysłowych ani osobom, które nie przeczytały tych instrukcji. Przepisy lokalne mogą ograniczać dopuszczalny wiek operatora.
- Należy pamiętać, że operator lub użytkownik jest odpowiedzialny za spowodowanie wypadku lub zagrożenia bezpieczeństwa osób i mienia.
- Osoby postronne, dzieci i zwierzęta muszą znajdować się w odległości przynajmniej 15 metrów od miejsca pracy. Jeśli na obszarze znajduje się inna osoba, należy zatrzymać produkt.
- Nigdy nie wolno używać produktu, gdy użytkownik jest zmęczony lub pod wpływem alkoholu, narkotyków lub leków.

ZASADY BEZPIECZEŃSTWA DOTYCZĄCE OBSŁUGI URZĄDZEŃ ELEKTRYCZNYCH

- Wtyczka musi pasować do gniazda elektrycznego. Nie wolno modyfikować wtyczek w żaden sposób. Nie wolno używać żadnych przejściówek do podłączania urządzeń posiadających przewód zasilania z uziemieniem. Stosowanie oryginalnych wtyczek i dopasowanych gniazd sieciowych zmniejsza ryzyko porażenia prądem.
- Unikać możliwości przypadkowego uruchomienia urządzenia. Przed podłączeniem produktu do źródła zasilania zawsze należy sprawdzać, czy przełącznik znajduje się w położeniu wyłączenia (Off). Nie wolno przenosić podłączonego do prądu produktu, trzymając palec na wyłączniku.
- Unikać kontaktu ciała z powierzchniami uziemionymi lub podłączonymi do bieguna zerowego, np. rury, instalacje grzewcze i chłodnicze. Kontakt ciała z masą lub uziemieniem zwiększa ryzyko porażenia prądem.
- Nie narażać tego produktu na działanie deszczu lub wody. Woda dostająca się do urządzenia stwarza zagrożenie porażenia



prądem.

- Urządzenie powinno być zasilane przez wyłącznik różnicowo-prądowy (RCD), o prądzie zadziałania nie większym niż 30 mA.
- Przed każdym użyciem należy sprawdzić, czy przewód zasilający nie jest uszkodzony. Uszkodzone należy niezwłocznie wymienić. Uszkodzone należy niezwłocznie wymienić. Zawsze należy rozwijać zwinięty przewód zasilający podczas użycia, ponieważ zwinięte przewody mogą się przegrzać.
- Jeśli konieczne jest użycie przedłużacza, należy upewnić się, że nadaje się on do stosowania na zewnątrz pomieszczeń oraz że ma parametry (moc podłączonych urządzeń) umożliwiające podłączenie danego urządzenia. Przedłużacz powinien mieć oznaczenie „H05 RN F” lub „H05 VV F”. Przed każdym użyciem należy sprawdzić, czy przedłużacz nie jest uszkodzony. Przedłużacz zawsze należy rozwijać podczas użytkowania, ponieważ zwinięte kable mogą ulec przegrzaniu. Nie wolno naprawiać uszkodzonych przedłużaczy. Należy wymienić je na produkt o takich samych parametrach.
- Upewnić się, że przewód zasilania jest ułożony w taki sposób, że nie ma ryzyka potknięcia się o niego, pociągnięcia ani innego narażenia na uszkodzenie lub nadmierne napięcie.
- Nie podnosić ani nie przenosić produktu za przewód elektryczny.
- Nie ciągnąć za przewód zasilania w celu wyjęcia wtyczki z gniazda.
- Przewód zasilania trzymać z dala od źródeł ciepła, oleju i ostrych krawędzi.
- Zawsze należy kierować kabel do tyłu, z dala od produktu.
- Należy upewnić się, że produkt jest zasilany odpowiednim napięciem. Napięcie zasilania tego produktu podano na tabliczce znamionowej. Nie podłączać urządzenia do zasilania prądem AC o napięciu innym niż znamionowe.
- Upewnić się, że przelącznik znajduje się w położeniu Off (Wyt.) przed odłączeniem

urządzenia od zasilania.

PRZYGOTOWANIE

- W niektórych regionach obowiązują przepisy ograniczające używanie produktu w przypadku określonych działań. Informacje na ten temat można uzyskać w lokalnych urzędach.
- Podczas obsługi produktu zawsze należy nosić odpowiednie obuwie oraz długie spodnie. Nie wolno obsługiwać urządzenia będąc boso, lub mając założone lekkie obuwie typu sandały. Należy unikać noszenia luźnej odzieży lub ubrań ze zwisającymi sznurkami lub ozdobami, ponieważ mogą zostać one pochwycone przez ruchome części.
- Nie należy nosić luźnej odzieży lub biżuterii, która może być wciągnięta do wlotu powietrza.
- Długie włosy należy związać, aby znajdowały się powyżej ramion i aby nie zostały pochwycone przez maszynę.
- Podczas obsługi produktu przez cały czas należy stosować pełne zabezpieczenie słuchu. Produkt jest bardzo głośny i może dojść do trwałego uszkodzenia słuchu, jeśli nie będą ściśle przestrzegane środki ostrożności mające na celu ograniczenie narażenia przez zredukowanie poziomu hałasu lub stosowanie środków ochrony słuchu.
- Podczas obsługi produktu przez cały czas należy stosować pełne zabezpieczenie oczu. Producent zdecydowanie zaleca stosowanie pełnej maski twarzowej lub pełnych gogli. Standardowe okulary lub okulary przeciwsłoneczne nie zapewniają wymaganego zabezpieczenia. Obiekty w każdej chwili mogą być odrzucone z dużą szybkością przez wydajny nadmuch powietrza i mogą odbić się od twardej powierzchni, uderzając operatora.
- Przed użyciem należy sprawdzić, czy wszystkie przyrządy sterowania oraz zabezpieczenia działają prawidłowo. Nie należy używać produktu, jeśli wyłącznik („offr”) nie umożliwia wyłączenia silnika.



- Przed każdym użyciem zawsze należy sprawdzić wizualnie, czy elementy rozdrabniające, śruby elementów rozdrabniających oraz inne mocowania są dobrze zamocowane (jeśli występują), czy obudowa nie jest uszkodzona oraz czy osłony i zabezpieczenia są prawidłowo zamontowane.
 - Jeśli etykiety są uszkodzone lub nieczytelne, należy zwrócić produkt do punktu serwisowego w celu wymiany etykiet.
 - Nigdy nie wolno używać tego produktu z uszkodzonymi osłonami lub zabezpieczeniami lub bez zabezpieczeń, np. bez założonej osłony.
 - Wszelkie otwory wentylacyjne należy utrzymywać w stanie wolnym od zanieczyszczeń.
 - Przed wydmuchiwanym/wciąganiem powietrza należy wzruszyć śmieci grabiami i miotłą.
 - Oczyszczyć miejsce pracy każdorazowo przed rozpoczęciem pracy. Należy usunąć wszelkie obiekty, takie jak kamienie, szkło, gwoździe, drut itp. ponieważ mogą być one odrzucone przez sprężone powietrze.
 - Produktu można używać wyłącznie na stabilnej i równej powierzchni.
- uszkodzenia lub zużycia kabla zasilania.
 - Z maszyny można korzystać wyłącznie w rozsądnych godzinach, a nie wcześniej rano lub późno w nocy, zakłócając spokój innych ludzi.
 - Nigdy nie wolno używać produktu w wybuchowej atmosferze.
 - Należy unikać używania produktu w złych warunkach pogodowych, szczególnie jeśli występuje ryzyko wyładowań atmosferycznych.
 - Nie pracować w słabym oświetleniu. Operator musi dobrze widzieć miejsce pracy, aby móc zidentyfikować potencjalne zagrożenia.
 - Stosowanie środków ochrony słuchu zmniejsza słyszalność ostrzeżeń (alarmów, okrzyków). Należy zwracać większą uwagę na to, co dzieje się w miejscu pracy.
 - Nie wolno dopuścić do dekoncentracji i zawsze należy skupiać się na wykonywanej czynności. Należy uważnie zastanowić się oraz uwzględnić efekt swoich działań.
 - Praca podobnych narzędzi w pobliżu zwiększa ryzyko urazu słuchu oraz wtargnięcia innej osoby na miejsce pracy.
 - Stać stabilnie, zachowując równowagę. Nie sięgać zbyt daleko. Sięganie zbyt daleko grozi utratą równowagi.
 - Na zboczach należy zawsze stać w sposób pewny. Podczas pracy należy chodzić, nie wolno biegać.
 - Wszystkie kończyny należy trzymać z dala od ruchomych elementów urządzenia. Obracające się łopaty wirnika mogą spowodować poważne zranienie. Należy zatrzymać produkt i przed otwarciem pokrywy wentylatora, montażem lub wymianą rur, otwarciem lub wyjęciem worka z odpadami należy upewnić się, że ostrza przestały się obracać.
 - Nie uruchamiać urządzenia bez założonych odpowiednich przystawek. Gdy urządzenie jest używane jako dmuchawa, zawsze należy zakładać rury dmuchawy i zamknąć osłonę wentylatora. Podczas pracy w trybie odkurzacza, muszą być założone

OSTRZEŻENIE

Przed użyciem produktu w trybie odkurzacza należy złożyć górną i dolną rurę odkurzacza, jak pokazano na stronie 165. Jest to tylko jednorazowa czynność. Nigdy nie wolno używać odkurzacza z zamontowaną samą górną rurą odkurzacza. Ryzyko urazów ciała jest zdecydowanie większe, jeśli to ostrzeżenie zostanie zignorowane.

SPOSÓB UŻYCIA

- W przypadku uszkodzenia przewodu zasilania podczas pracy, należy natychmiast wyjąć wtyczkę z gniazda zasilania. **Nie wolno dotykać kabla przed odłączeniem go od źródła zasilania.** Nie używać urządzenia w przypadku



rury ssawne i pojemnik na śmieci.

- Nie należy modyfikować maszyny w żaden sposób ani używać części i akcesoriów, które nie są zalecane przez producenta.

⚠ OSTRZEŻENIE

W przypadku upuszczenia produktu, narażenia jej na silne uderzenie lub w przypadku wystąpienia nietypowych wibracji należy natychmiast zatrzymać produkt i sprawdzić, czy nie ma oznak uszkodzenia lub ustalić przyczynę wibracji. Wszelkie uszkodzone części muszą być odpowiednio naprawione lub wymienione w autoryzowanym punkcie serwisowym.

- Aby ograniczyć ryzyko urazów ciała związanych z kontaktem z obracającymi się częściami, zawsze należy zatrzymać produkt, odłączyć go od źródła zasilania i sprawdzić, czy wszystkie ruchome części zatrzymały się:
 - przed czyszczeniem lub usuwaniem zablokowanego materiału
 - pozostawiając produkt bez nadzoru
 - przed montażem lub demontażem osprzętu
 - przed sprawdzeniem, konserwacją lub obsługą produktu
 - aby sprawdzić produkt pod kątem uszkodzeń po uderzeniu w inny obiekt
 - jeśli produkt zacznie wibrować w nietypowy sposób (należy natychmiast przeprowadzić kontrolę).

⚠ OSTRZEŻENIE

Dmuchała/odkurzacz może być wyposażony w uprząż. Należy starannie dopasować uprząż, aby umożliwiła ona komfortowe wsparcie produktu.

Należy sprawdzić, w jaki sposób należy obsługiwać mechanizm szybkiego zwalniania i przeciwżyć używaniu go przed uruchomieniem maszyny. Prawidłowe użycie może zapobiec poważnym obrażeniom ciała w razie nagłej sytuacji. Nigdy nie należy zakładać dodatkowej odzieży na uprząż, ponieważ spowodowałoby to ograniczenie dostępu do mechanizmu szybkiego zwalniania.

OSTRZEŻENIA DOTYCZĄCE BEZPIECZEŃSTWA PRACY Z DMUCHAWĄ

- W przypadku wytwarzania dużej ilości kurzu, aby zapobiec jego wdychaniu, należy stosować maskę przeciwpyłową.
- Nie wolno kierować dyszy dmuchawy w kierunku osób postronnych lub zwierząt.
- Nigdy nie wolno wkładać obiektów do rur dmuchawy.
- Nie uruchamiać urządzenia w pobliżu otwartych okien.
- W przypadku dużego zapylenia należy lekko zwilżyć powierzchnię.
- Należy używać szerokiej dyszy, tak aby strumień powietrza mógł być prowadzony blisko ziemi.
- Nie umieszczać dmuchawy na luźnym gruzie lub w jego pobliżu. Gruz może zostać wciągnięty przez otwory powietrza dolotowego, co może spowodować uszkodzenie urządzenia.

STRZEŻENIA DOTYCZĄCE BEZPIECZEŃSTWA PRACY Z ODKURZACZEM

▲ OSTRZEŻENIE

Nigdy nie wolno używać odkurzacza z zamontowaną samą górną rurą odkurzacza. Ryzyko urazów ciała jest zdecydowanie większe, jeśli to ostrzeżenie zostanie zignorowane.

- Nie wolno uruchamiać odkurzacza bez zamontowanego worka próżniowego. Latające odpady mogą spowodować poważne obrażenia ciała. Przed uruchomieniem urządzenia należy upewnić się, że worek próżniowy jest całkowicie zapięty.
- Przesuwać odkurzacza od jednej do drugiej strony, wzdłuż zewnętrznej krawędzi śmieci. Aby uniknąć zablokowania, nie należy wkładać rury odkurzania bezpośrednio do stosu odpadów.
- Przytrzymać silnik powyżej wlotu rury próżniowej.
- Podczas pracy na zbieżności, rura ssawna powinna być skierowana w dół.
- Aby uniknąć poważnych obrażeń ciała operatora lub uszkodzenia urządzenia, nie należy usiłować wciągać kamieni, zbitego szkła, butelek lub innych podobnych przedmiotów.
- Unikać sytuacji grozących wciągnięciem ognia lub żaru do pojemnika na śmieci. Nie obsługiwać urządzenia w pobliżu źródeł otwartego ognia. Nie odkurzać gorącego popiołu z kominków, grillów, ognisk itp. Nie odkurzać niedopałków papierosów lub cygar o ile nie ostygły one całkowicie.

TRANSPORT I PRZECHOWYWANIE

- Przed schowaniem lub transportem produktu należy zatrzymać go, odłączyć od źródła zasilania i odczekać, aż ostygnie.
- Usunąć z produktu wszelkie zanieczyszczenia. Należy przechowywać urządzenie w chłodnym, suchym i dobrze wentylowanym miejscu, które jest

niedostępne dla dzieci. Nie chowajcie jej w pobliżu czynników żrących, takich jak ogrodowe produkty chemiczne czy sole odmrażające. Nie przechowywać na zewnątrz.

- W przypadku transportu produktu należy zabezpieczyć go przed przemieszczaniem się lub upadkiem, aby nie dopuścić do obrażeń ciała lub uszkodzenia urządzenia.

KONSERWACJA

▲ OSTRZEŻENIE

Należy stosować wyłącznie oryginalne części zamienne, akcesoria oraz przystawki producenta. W przeciwnym razie może dojść do obrażeń ciała, niskiej wydajności oraz do unieważnienia gwarancji.

▲ OSTRZEŻENIE

Serwisowanie wymaga wyjątkowej staranności i wiedzy. Może być wykonywane wyłącznie przez wykwalifikowany personel serwisowy. W celu naprawy zaleca się oddać kosiarkę do najbliższego autoryzowanego punktu serwisowego. Do napraw używać wyłącznie identycznych zamienników.

- Możesz wykonywać czynności regulacyjne i naprawcze opisane w tej instrukcji obsługi. W przypadku innych napraw należy skontaktować się autoryzowanym punktem serwisowym.
- Po każdym użyciu należy wyczyścić produkt miękką, suchą szmatką.
- Systematycznie sprawdzać, czy wszystkie nakrętki, wkręty i śruby są dobrze dokręcone, aby upewnić się, że produkt jest w bezpiecznym stanie. Każdą uszkodzoną część należy odpowiednio naprawić lub wymienić w autoryzowanym punkcie serwisowym.
- Nigdy nie wolno odłączać funkcji zabezpieczających.

RYZIKO ZWIĄZANE Z UŻYTKOWANIEM:

Nawet jeśli produkt jest używany zgodnie z zaleceniami, nadal nie jest możliwe wyeliminowanie określonych czynników ryzyka. Następujące zagrożenia mogą wystąpić podczas używania urządzenia i operator powinien zwracać szczególną uwagę na poniższe punkty:

- Urazy ciała spowodowane przez wibracje. Zawsze należy używać do określonego zadania odpowiednich narzędzi Korzystać z przeznaczonych do tego uchwytów i stosować się do zaleceń dotyczących czasu pracy i narażenia.
- Narażenie na hałas może spowodować utratę słuchu. Należy nosić środki ochrony uszu oraz ograniczyć poziom narażenia.
- Występuje ryzyko obrażeń ciała na skutek uderzenia przez objekty wyrzucane z rury nadmuchu lub wydmuchu, jeśli worek nie jest zamocowany lub jest uszkodzony. Stosować przez cały czas odpowiednie środki ochrony oczu.

OGRANICZENIE RYZYKA

Badania dowodzą, że wibracje powodowane przez narzędzia ręczne mogą wywoływać u niektórych osób objawy syndromu Raynauda. Typowe objawy to mrowienie, drętwienie i blednięcie palców, widoczne zwykle po wystawieniu na działanie zimna. Uważa się, że czynniki dziedziczne, wystawienie na działanie zimna i wilgoci, dieta, palenie papierosów i przyjęte zwyczaje przyczyniają się do rozwoju tych objawów. Istnieją środki zaradcze, które może podjąć operator narzędzia, aby zmniejszyć efekt wibracji:

- Zadbaj w niskich temperaturach o ciepłotę własnego ciała, zakładając odpowiednie ubranie. Podczas obsługi produktu należy nosić rękawice, aby dłonie i nadgarstki były ciepłe. Wiadomo, że niskie temperatury są główną przyczyną powstawania objawu Raynauda.
- Podczas przerw w pracy należy wykonywać ćwiczenia poprawiające krążenie krwi..
- Podczas pracy robić częste przerwy.

Ograniczyć ekspozycję w ciągu dnia.

W razie doświadczenia dowolnego z wymienionych objawów, należy niezwłocznie zaprzestać użytkowania tego urządzenia i skontaktować się z lekarzem.

⚠ OSTRZEŻENIE

Długotrwałe użytkowanie narzędzia może spowodować obrażenia ciała lub nasilić dolegliwości zdrowotne. W przypadku używania narzędzia przed dłuższy czas należy pamiętać o regularnych przerwach.

ZAPOZNAJ SIĘ ZE SWOIM PRODUKTEM

Patrz str. 164.

1. Osłona wentylatora
2. Górna rura odkurzenia
3. Dolna rura odkurzenia
4. Kółka prowadzące
5. Dysza szybkoobrotowa
6. Dolna rura nadmuchu
7. Górna rura nadmuchu
8. Worek zbiorczy
9. Adapter worka
10. Dźwignia wyboru trybu dmuchawy/ odkurzacza
11. Przedni uchwyt
12. Przełącznik prędkości
13. Tylny uchwyt
14. Przełącznik wł./wył.

SYMBOLE PRODUKTU



Należy przeczytać i zrozumieć wszystkie instrukcje przed rozpoczęciem obsługi produktu oraz przestrzegać wszystkich ostrzeżeń i instrukcji dotyczących bezpieczeństwa.



Uwaga na odrzucone przedmioty. Wszystkie osoby postronne, a szczególnie dzieci i zwierzęta, muszą znajdować się w odległości przynajmniej 15 metrów od miejsca pracy.



Obracające się wentylatory. Nie należy zbliżać rąk ani nóg do otworów podczas pracy produktu.



Nosić środki ochrony słuchu



Zakładać środki ochrony wzroku



Nie wystawiać urządzenia na działanie deszczu ani nie używać w miejscach o dużej wilgotności.



Wyłączyć: odłączyć wtyczkę od źródła zasilania przed czyszczeniem lub konserwacją.



W przypadku stwierdzenia uszkodzenia przewodu zasilania i przed rozpoczęciem czynności konserwacyjnych niezwłocznie wyjąć wtyczkę z gniazda zasilania



Narzędzie to spełnia wymogi wszystkich norm reglamentacji kraju UE, w którym było ono zakupione.



Narzędzie klasy II, podwójna izolacja



Zużyte produkty elektryczne nie powinny być utylizowane z odpadami domowymi. Prosimy poddawać recyklingowi w odpowiednich miejscach. Informacje o właściwych metodach recyklingu można uzyskać u władz lokalnych lub sprzedawcy.



Gwarantowany poziom mocy akustycznej wynosi 108 dB



Tryb dmuchawy



Tryb odkurzania



Ukraiński znak zgodności



Znak zgodności EurAsian

SYMBOLE W TYM PODRĘCZNIKU



Podłączyć do gniazda zasilania



Odłączyć z gniazda zasilania



Objaśnienie



Ostrzeżenie

Poniższe symbole i nazwy które im nadano, pozwalają wyjaśnić różne poziomy ryzyka związanego z używaniem tego narzędzia.

⚠ NIEBEZPIECZEŃSTWO

Wskazuje na realne zagrożenie, które może spowodować śmierć lub poważne zranienie, jeżeli się nie uniknie tego niebezpieczeństwa.

⚠ OSTRZEŻENIE

Wskazuje na potencjalne zagrożenie, które może spowodować śmierć lub poważne zranienie, jeżeli się nie uniknie tego niebezpieczeństwa.

⚠ UWAGA

Wskazuje na potencjalne zagrożenie, które może spowodować mniejsze lub bardziej poważne zranienie, jeżeli się nie uniknie tego niebezpieczeństwa.

UWAGA

Bez symbolu ostrzeżenia
Sytuacja, która może grozić uszkodzeniem mienia.

Bezpečnost, výkon a spolehlivost byli hlavní prioritou při návrhu vašeho elektrického foukače/vysavače.

ZAMÝŠLENÉ POUŽITÍ

Tento výrobek je určen pouze pro venkovní používání.

Tento nástroj není určen pro používání osobami, včetně dětí, pokud jsou jejich fyzické, pohybové nebo mentální schopnosti sníženy.

Nástroje je určen pro odfukování lehkých materiálů, včetně listí, trávy nebo jiného odpadu ze zahrad. Je určen pro vysávání a mulčování lehkých materiálů uvedených výše a sbírání do sběrného vaku. Není určen pro nasávání nebo vysávání vody nebo jiných kapalin.

▲ VAROVÁNÍ

Při používání výrobku musí být dodrženy bezpečnostní předpisy. Pro vaši vlastní bezpečnost a přítomných osob je nutné si přečíst a plně pochopit tyto pokyny před použitím výrobku. Tyto pokyny uschovejte pro příští použití.

▲ VAROVÁNÍ

Tento nástroj není určen pro používání osobami, včetně dětí, pokud jsou jejich fyzické, pohybové nebo mentální schopnosti sníženy. Dohlédněte, aby si děti se spotřebičem nehrály.

VŠEOBECNÁ BEZPEČNOSTNÍ VAROVÁNÍ

ZAŠKOLENÍ

- Návod si pečlivě přečtete. Seznamte se s ovládáním a řádným používáním nástroje.
- Produkt není určen pro používání osobami, včetně dětí se sníženými tělesnými, smyslovými nebo duševními schopnostmi nebo s nedostatkem zkušeností a znalostí, pokud neprošly školením ohledně používání, čištění či údržby. Místní předpisy mohou omezovat dobu obsluhy.

- Uživatel nebo obsluha tohoto zahradnického nástroje je zodpovědná za nehody nebo nebezpečí způsobená na jiné osobě nebo jejich majetku.
- Všechny přihlížející, zvláště děti a zvířata udržujte 15 m mimo pracovní oblasti. Zastavte výrobek, pokud někdo vstoupí do pracovního prostoru výrobku.
- Výrobek nepoužívejte, pokud jste unavení, nemocní nebo pod vlivem drog, alkoholu či léků.

ELEKTRICKÁ BEZPEČNOST

- Elektrické zástrčky musí být shodné s elektrickou zásuvkou. Nepokoušejte se zástrčku jakýmkoliv způsobem upravovat. Nepoužívejte žádný adaptér zástrček se zemněným (uzemněným) elektricky poháněným nástrojem. Neupravené zástrčky a shodné zásuvky snižují nebezpečí elektrického úrazu.
- Zabraňte náhodnému spuštění. Vždy zkontrolujte, že je před zapojením výrobku do síťové zásuvky spínač v poloze Off (VYPNUTO). Nenoste zapojených výrobek s prstem na spínači.
- Předcházejte tělesnému kontaktu s uzemněnými nebo zemněnými povrchy, například trubkami, radiátory, sporáky a lednicemi. Je zde zvýšené nebezpečí zásahu elektrickým proudem, pokud je vaše tělo zemněno nebo uzemněno.
- Nevystavujte tento přístroj dešti nebo vlhkým podmínkám. Voda vnikající do zařízení zvyšuje nebezpečí elektrického úrazu.
- Elektrické zařízení musí být napájeno přes proudový chránič s reziduálním proudem nepřesahujícím 30 mA.
- Před každým použitím zkontrolujte napájecí kabel na poškození. Poškozené kabely ihned vyměňte. Během používání kabel plně rozviňte, smotaný kabel se může přehřívat.
- Pokud potřebujete použít prodlužovací kabel, ujistěte se, že je vhodný pro venkovní použití a má dostatečnou proudovou kapacitu pro napájení nástroje.

Prodlužovací kabel by měl být označen buď „H05 RN F“ nebo „H05 VV F“. Před každým použitím vizuálně prohlédněte prodlužovací kabel na poškození. Během používání prodlužovací kabel plně rozviňte, smotaný kabel se může přehřívat. Poškozené napájecí kabely se nesmí opravovat, vždy vyměňte za stejný typ.

- Zkontrolujte, zda je napájecí kabel umístěn tak, aby se po něm nešlapalo a aby nemohlo dojít k jeho skřípnutí nebo jinému způsobu poškození či stlačení.
- Nikdy výrobek nezvedejte ani nepřenašejte uchopením za elektrický kabel.
- Nikdy netahejte za napájecí kabel, chcete-li jej odpojit od elektrické sítě.
- Dávejte pozor, aby se napájecí kabel nedostal do kontaktu s horkem, olejem nebo ostrými hranami.
- Vždy kabel směřujte směrem dozadu za výrobek.
- Zkontrolujte, zda je napětí napájecí soustavy vhodné pro výrobek. Štítek s názvem produktu udává pracovní napětí zařízení. Nikdy nepřipojujte produkt ke střídavému napětí, které se liší od tohoto napětí.
- Před odpojením od napájení se ujistěte, že je vypínač v poloze Off (Vyp.).

PŘÍPRAVA

- Místní předpisy mohou omezovat použití výrobku. Ověřte si u svého orgánu místní správy toto nařízení.
- Když s nástrojem pracujete, noste vždy pevnou obuv a dlouhé kalhoty. Se zařízením nepracujte, pokud máte obuty sandály s otevřenou špičkou, nebo pokud jste bosí. Zamezte nošení volných oděvů, nebo které mají vlající šňůrky nebo pásky; mohou se zachytit do pohyblivých částí.
- Nenoste volné oblečení nebo šperky, mohou se zachytit do nasávání vzduchu.
- Dlouhé vlasy si svažte nad rameny, aby se nemohly zaplést do pohyblivých částí.
- Při práci s nástrojem vždy používejte ochranu sluchu. Výrobek je velmi hlučný a

může nastálo ovlivnit sluch při vystavení, omezujte hluk a noste ochranu sluchu, i když to není dáno.

- Při práci s nástrojem vždy používejte ochranu zraku. Výrobce důrazně doporučuje používat celoobličejovou masku nebo uzavřené ochranné brýle. Dioptrické ani sluneční brýle nejsou vhodnou ochranou. Objekty mohou být odmršťovány vysokou rychlostí silným proudem vzduchu a mohou se odrazet od pevných povrchů směrem k obsluze.
- Před každým použitím se ujistěte, že všechny ovladače a jištění řádně fungují. Nástroj nepoužívejte, pokud přepínač „nevypíná“ (off) motor.
- Před použitím vždy vizuálně zkontrolujte, že drtící prostředky, šrouby drtícího prostředku a jiné spojovací prvky (pokud se montují) jsou zajištěny, kryt není poškozen a že kryty a rukojeti jsou správně na místě.
- Odevzdejte nejbližšímu servisnímu středisku k výměně poškozených či nečitelných štítků.
- Nikdy neprovozujte nástroj s poškozenými chrániči nebo štíty nebo bez bezpečnostních zařízení, například lapačem úlomků.
- Udržujte všechny otvory pro chlazení vzduchem prosté smetí.
- Používejte hrábě a košťata pro uvolnění smetí před foukání / vysáváním.
- Před každým použitím si vyčistěte pracovní oblast. Odstraňte všechny předměty, například kameny, rozbité sklo, dráty nebo strunu, které se mohou vymrštit velmi silným proudem vzduchu.
- Používejte pouze na pevné, rovné ploše.

⚠ VAROVÁNÍ

Před použitím výrobku v režimu vysávání je nutné smontovat horní a spodní vysávací trubice dle obrázku na straně 165. Toto je pouze jedna operace. Nikdy nepoužívejte vysavač pouze s horní trubicí vysavače. Riziko zranění se významně zvyšuje, pokud nedodržíte toto varování.



POUŽITÍ

- Pokud se kabel zničí během používání, odpojte kabel ihned z elektrické zásuvky. **Nedotýkejte se kabelu před odpojením z elektrické zásuvky.** Nepoužívejte nástroj, když je kabel poškozen nebo ve špatném stavu.
- Nástroj používejte pouze ve vhodnou denní dobu - ne brzy ráno nebo pozdě večer, neboť lidé mohou být rušeni.
- Nikdy nepoužívejte ve výbušném ovzduší.
- Nepožívejte stroj při špatném počasí, zejména, hrozí-li bouřky.
- Neprovazujte při slabém osvětlení. Obsluha musí mít čistý výhled na pracovní oblast k identifikaci potenciálních nebezpečí.
- Uvědomte si, že použití ochrany sluchu snižuje vaši schopnost slyšet varování (poplachy nebo výkřiky). Obsluha si musí být tohoto vědoma a platí speciální upozornění, aby si všímala událostí v jeho pracovní oblasti.
- Nerozptylujte se a vždy se koncentrujte na to, co děláte. Přemýšlejte o své práci a pečlivě berte v úvahu vliv svých činností.
- Obsluha podobných nástrojů zvyšuje jak nebezpečí poranění sluchu, tak osob vstupujících do zóny práce.
- Udržujte bezpečné postavení a rovnováhu. Nepřeceňujte se. Přeceňování může způsobit ztrátu rovnováhy.
- Vždy na svazích zabezpečte své pevné postavení. Chodte, nikdy neběhejte.
- Udržujte všechny části těla mimo pohyblivé součásti. Rotující lopatky hnacího kola mohou způsobit vážné poranění. Zastavte výrobek a ujistěte se, že jsou lopatky hnacího kola zastaveny před otevřením krytu ventilátoru nebo při instalaci/výměně trubice, otvírání či odebírání sběrného vaku.
- Nikdy neuvádějte nástroj do chodu bez řádně připevněných doplňků. Když nástroj používáte jako fukar, vždy nainstalujte trubice fukaru a zavřete kryt ventilátoru. Když nástroj používáte jako vysavač, vždy nainstalujte trubice vysavače a sběrný vak.
- Nástroj nijak neupravujte nebo nepoužívejte

příslušenství, jež nejsou doporučena výrobcem.

⚠ VAROVÁNÍ

Pokud začne po pádu, silných nárazech nástroj nenormálně vibrovat, zastavte nástroj a ihned zjistěte příčinu vibrací a rozsah škod. Pokud je nějaká část poškozena, musí se nechat řádně opravit nebo vyměnit pověřeným servisním střediskem.

- Pro snížení nebezpečí spojených s dotykem pohyblivých dílů vždy zastavte motor, odpojte od zdroje energie a ujistěte se, že se všechny rotační díly zastavily:
 - před čištěním nebo odstraněním ucpávky,
 - je-li ponechán výrobek bez dozoru
 - před demontáží a montáží příslušenství,
 - před kontrolou, čištěním nebo prací na nástroji,
 - po nárazu cizího předmětu prohlédněte výrobek na poškození
 - pokud stroj začne abnormálně vibrovat (ihned zkontrolujte)

⚠ VAROVÁNÍ

Váš fukar / vysavač lze dodat s popruhy. Popruhy řádně seřídte tak, aby pomáhaly rozdělovat váhu nástroje.

Vyhleďte si jak obsluhovat rychlospojku a naučte se ji používat před první obsluhou nástroje. Její správné používání může zabránit v nouzi vážným poraněním. Nikdy nenoste doplňující oděv přes popruhy nebo jinak neomezujte přístup k rychlospojce.

BEZPEČNOSTNÍ VAROVÁNÍ K FUKARU

- V prašných prostředích noste respirátor pro snížení nebezpečí poranění spojených s vdechováním prachu.
- Trysku fukaru nikdy nesměřujte na osoby ani domácí zvířata.
- Nikdy neumísťujte předměty dovnitř trubice fukaru.



- Neprovozujte přístroj v blízkosti otevřených oken.
- V prašných podmínkách povrch lehce navlhčete.
- Používejte trysku fukaru plně nataženou, takže proud vzduchu může pracovat blízko země.
- Neumísťujte fukar na smetí nebo blízko rozházeného smetí. Smetí se může dostat do vstupních otvorů, což má za následek možné poškození přístroje.

BEZPEČNOSTNÍ VAROVÁNÍ K VYSAVAČI

⚠ VAROVÁNÍ

Nikdy nepoužívejte vysavač pouze s horní trubici vysavače. Riziko zranění se významně zvyšuje, pokud nedodržíte toto varování.

- Nepoužívejte vysavač bez namontovaného sběrného vaku; létající materiál může způsobit vážné poranění. Ujistěte se, že je sběrný vak zapnut a uzavřen před spuštěním nástroje.
- Pohybuje vysavačem ze strany na stranu podél vnějšího okraje materiálu k odklizení. Abyste zabránili ucpání nevkładějte trubici vysavače přímo do hromady materiálu k odklizení.
- Motor udržujte výše než vstupní konec trubice vysavače.
- Pokaždé, když pracujete na svahu, směřujte trubici vysavače dolů po svahu.
- Abyste zabránili vážnému poranění obsluhy nebo poškození nástroje nevysávejte kameny, rozbité sklo, lahve nebo obdobné předměty.
- Vyhněte se situacím, při kterých by se mohl oheň dotýkat sběrného vaku. Nepoužívejte v blízkosti otevřeného ohně. Nevysávejte horký popel z ohnišť, roštů, atd. Nevysávejte dokouřené doutníky nebo cigarety, dokud popel zcela nezchladne.

TRANSPORT A SKLADOVÁNÍ

- Před skladováním nebo transportem výrobek vždy zastavte, odpojte od napájení a nechte vychladnout.
- Odstraňte z výrobku všechny cizí materiál. Ukládejte v chladných, suchých a dobře větraných prostorech, které nejsou přístupné dětem. Nářadí neuskladňujte v blízkosti žíravých látek, jako například v blízkosti zahrádkářských nebo zahradnických chemických přípravků nebo soli na zimní sypání komunikací. Neskladujte mimo budovu.
- Při transportu výrobku zajistěte proti pohybum nebo pádu, abyste zabránili poranění osob nebo poškození výrobku.

ÚDRŽBA

⚠ VAROVÁNÍ

Používejte pouze originální příslušenství, doplňky a náhradní díly výrobce. Zanedbání může zapříčinit možné poranění, slabý výkon a může dojít ke ztrátě záruky.

⚠ VAROVÁNÍ

Údržba vyžaduje extrémní péči a znalosti a měla by být prováděna pouze kvalifikovaným servisním technikem. Pro údržbu nebo servis doporučujeme výrobek vrátit do nejbližšího pověřeného opravárenského střediska. Pokud opravujete, používejte pouze stejné náhradní díly.

- Můžete provádět v návodu k obsluze uvedené opravy a seřizení. Další opravy se smí provádět pouze u pověřených servisních prodejců.
- Po každém použití setřete nástroj měkkým a suchým hadříkem.
- Zkontrolujte všechny šrouby, matice v častých intervalech na řádné utažení, aby se zajistilo, že výrobek bude pracovat v bezpečných pracovních podmínkách. Jakýkoliv poškozený díl je nutné správně opravit nebo nechat vyměnit v autorizovaném servisním středisku.

- Nikdy se nepokoušejte přemostit blokovací funkci krytu.

ZBYTKOVÁ RIZIKA

Dokonce, i když se výrobek provozuje jak je předepsáno, je stále nemožné zcela eliminovat veškeré zbytkové rizikové faktory. Následující nebezpečí mohou nastat při používání; vyhýbejte se:

- Poranění způsobené vibracemi. Pro danou práci vždy používejte správný nástroj. Navržené rukojeti a dodržujte pracovní dobu a expozici.
- Vystavování hluku může způsobit poškození sluchu. Noste ochranu sluchu a omezte vystavení.
- Nebezpečí poranění odletujícími předměty z fukaru nebo výfuku vysavače, pokud není vak upevněn či je poškozen. Vždy noste adekvátní ochranu zraku.

SNÍŽENÍ RIZIKA

Bylo zjištěno, že vibrace z ručních pracovních nástrojů mohou u některých osob přispívat ke stavu tzv. Raynaud's Syndrome (Raynaudovu syndromu). Mezi jeho příznaky patří brnění, necitlivost a zbledení prstů, patrné obvykle po pobytu v chladu. Vědci se domnívají, že k rozvinutí těchto příznaků přispívají dědičné faktory, pobyt v chladu a vlhku, strava, kouření a pracovní návyky. Uživatel může omezit případné působení vibrací použitím vhodných opatření:

- Za chladného počasí se teple oblečte. Při práci s výrobkem si navlékněte rukavice, abyste udrželi ruce a zápěstí v teple. Bylo zjištěno, že chladné počasí je hlavním faktorem přispívajícím k Raynaud's Syndrome (Raynaudovu syndromu).
- Během práce si v pravidelných intervalech zacvičte, abyste zvýšili krevní oběh.
- Zařazujte časté pracovní přestávky. Omezte dobu práce za den.

Jakmile pocítíte některý z výše uvedených příznaků tohoto syndromu, okamžitě přerušete práci a vyhledejte lékaře.

VAROVÁNÍ

Poranění mohou být způsobena, či zhoršena, prodlouženým používáním nástroje. Když používáte jakýkoliv nástroj delší dobu, dělejte pravidelné přestávky.

POZNEJTE SVŮJ NÁSTROJ

Viz strana 164.

1. Kryt ventilátoru
2. Horní trubice vysavače
3. Spodní trubice vysavače
4. Vodicí kola
5. Vysokorychlostní tryska
6. Spodní trubice fukaru
7. Horní trubice fukaru
8. Sběrný vak
9. Adaptér vaku
10. Volicí páka režimu fukar/vysavač
11. Přední rukojeť
12. Volič rychlosti
13. Zadní rukojeť
14. Spoušť (ZAP/VYP)

SYMBOLY NA VÝROBKU



Řádně si návod přečtěte, porozumějte veškerým pokynům a dodržujte všechny bezpečnostní pokyny a bezpečnostní varování.



Dávejte pozor na odmrštěné nebo odletující předměty. Všechny přihlížející, zvláště děti a zvířata udržujte ve vzdálenosti alespoň 15 m od pracovní oblasti.



Rotující ventilátory. Mějte ruce a nohy mimo otvory, když nástroj běží.



Noste ochranu sluchu



Noste ochranu očí



Nevystavujte dešti nebo nepoužívejte ve vlhkých podmínkách.



Vypnutí: před čištěním nebo údržbou odpojte zástrčku ze zásuvky



Vyndejte ihned zástrčku z elektrické zásuvky, jakmile zjistíte poškození nebo před údržbou.



Toto náradí je v souladu se všemi normami a předpisy platnými v zemi EU, ve které bylo zakoupeno.



Zařízení třídy II, dvojitě izolováno



Odpad elektrických výrobků se nesmí likvidovat v domovním odpadu. Recyklujte prosím na sběrných místech. Ptejte se u místních úřadů nebo prodejce na postup při recyklaci.



Zaručená hladina akustického výkonu je 108 dB.



Režim foukání



Režim vysávání



Ukrajinská značka shody



Euroasijská značka shody

SYMBOLY V NÁVODU



Zapojení do elektrické zásuvky



Odpojení od elektrické sítě



Poznámka



Varování

Následující signální slova a významy jsou vhodné pro vysvětlení úrovně nebezpečí spojených s tímto výrobkem.

⚠ NEBEZPEČÍ

Označuje bezprostředně rizikovou situaci, které je třeba předejít, jinak bude jejím následkem smrt nebo vážné zranění.

⚠ VAROVÁNÍ

Označuje možnou rizikovou situaci, které je třeba předejít, jinak jejím následkem může být smrt nebo vážné zranění.

⚠ VAROVÁNÍ

Označuje možnou rizikovou situaci, které je třeba předejít, jinak jejím následkem může být smrt nebo vážné zranění.

VAROVÁNÍ

Bez symbolu bezpečnostní výstrahy

Určuje situaci, která může mít za následek vážné poškození.

Az elektromos fűvő-/szívógép kifejlesztésekor a biztonságot, a teljesítményt és a megbízhatóságot tartottuk szem előtt.

RENDELTETÉSSZERŰ HASZNÁLAT

A termék kizárólag a szabadban használható. Ezt a terméket nem használhatják gyerekek és korlátozott fizikai, érzékelési vagy mentális képességekkel rendelkező személyek.

A termék könnyű hulladék, például levelek, fű vagy más kerti hulladék elfújására szolgál. Emellett a fenti leírt könnyű hulladék felszívására és aprítására, valamint hulladékzsákban való összegyűjtésére is használható. Nem használható víz vagy más folyadék felszívására vagy porszívózására.

▲ FIGYELMEZTETÉS

A termék használatakor a biztonsági szabályokat be kell tartani. A saját és mások biztonsága érdekében a termék használata előtt el kell olvasnia és teljesen meg kell értenie ezt az útmutatót. Tartsa meg a kézikönyvet, hátha a későbbiekben szüksége lehet rá.

▲ FIGYELMEZTETÉS

Ezt a terméket nem használhatják gyerekek és korlátozott fizikai, érzékelési vagy mentális képességekkel rendelkező személyek. A gyerekekre oda kell figyelni, nehogy játsszanak a termékkel.

ÁLTALÁNOS BIZTONSÁGI FIGYELMEZTETÉSEK

GYAKORLÁS

- Figyelmesen olvassa el az utasításokat. Legyen tisztában a termék kezelőszerveivel és helyes használatával.
- Ne hagyja, hogy gyerekek, csökkent fizikai, érzékelési vagy értelmi képességgel rendelkező személyek, vagy akiknek nincs meg a tapasztalatuk és tudásuk ehhez, vagy az utasításokat nem ismerő személyek működtessék, tisztítsák vagy karbantartsák a terméket. A helyi előírások

korlátozhatják a kezelő életkorát.

- Jegyezze meg, hogy a kezelő vagy a felhasználó felelős a más embereknek vagy tulajdonuknak okozott veszélyekért vagy balesetekért.
- A nézelődőket, gyerekeket és a háziállatokat tartsa 15 m távolságban a munkaterülettől. Állítsa le a terméket, ha bárki belép a területre.
- Soha ne használja a terméket, ha fáradt, beteg, alkohol, tudatmódosítók, illetve gyógyszerek hatása alatt áll.

ELEKTROMOS BIZTONSÁG

- A dugasznak illeszkednie kell az aljzathoz. Semmilyen módon ne módosítsa a dugaszt. A földelt elektromos gépekhez ne használjon adapter dugaszt. A nem módosított és illeszkedő dugasz csökkenti az áramütés kockázatát.
- Kerülje el a véletlen bekapcsolást. A termék elektromos hálózatba való csatlakoztatása előtt mindig ellenőrizze, hogy a kapcsoló kikapcsolt állásban van. Az elektromos hálózatba kapcsolt terméket ne szállítsa úgy, hogy az ujjá a kapcsolón van.
- Kerülje az érintkezést földelt felületekkel, mint például csövekkel, radiátorokkal és hűtőkkel. Megnöveli az áramütés kockázatát, ha a teste földeltté válik.
- Ne tegye ki a terméket esőnek vagy nedves környezet hatásának. A készülékbe bejutó víz növeli az áramütés kockázatát.
- A készüléket egy 30 mA-nél nem nagyobb kioldóáramú áram-védőkapcsolóval (RCD) kell felszerelni.
- Minden használat előtt sérülés tekintetében vizsgálja át a tápkábelt. Sérülés esetén azonnal cserélje ki. Használatkor mindig tekerje szét a tápkábelt, a feltekert kábelek túlhevülhetnek.
- Ha hosszabbító kábelt kell használnia, ügyeljen arra, hogy az kültéri használatra alkalmas és a gép meghajtásához elegendő teljesítményű legyen. A hosszabbító kábelnek „H05 RN F” vagy „H05 VV F” jelöléssel kell rendelkeznie.

Sérülés tekintetében minden használat előtt vizsgálja meg a hosszabbító kábelt. Használatkor mindig tekerje szét a hosszabbító kábelt, mert a feltekert kábelek túlhevülhetnek. A sérült hosszabbító kábeleket tilos megjavítani, azokat azonos típusúra kell kicserélni.

- Ügyeljen rá, hogy a tápkábel úgy legyen elvezetve, hogy arra ne lépjenek rá, ne botoljanak el benne, és más módon se károsítsák vagy feszítsék meg.
- Ne fogja meg és ne szállítsa a terméket az elektromos kábelnél fogva.
- A hálózatról való leválasztásakor soha ne a tápkábelt húzza.
- Hőtől, olajtól és éles szélektől tartsa távol a tápkábelt.
- A kábelt mindig a termék mögött vezesse el.
- Ellenőrizze, hogy a hálózati feszültség megfelelő a termékhez. A termék működési feszültsége az adattáblán van feltüntetve. A terméket ne csatlakoztassa olyan váltóáramú feszültséghez, amely különbözik ettől a feszültségtől.
- Ügyeljen rá, hogy áramtalanítás előtt a kapcsolót mindig állítsa kikapcsolt állásba.

ELŐKÉSZÜLET

- Egyes régiókban olyan előírások érvényesek, amelyek korlátozzák a termék bizonyos műveletekre való használatát. További információért forduljon a helyi önkormányzathoz.
- A termék működtetése közben mindig megfelelő lábbelit és hosszú nadrágot viseljen. Ne használja a gépet mezítláb vagy nyitott szandálban. Kerülje a bő ruha viseletét, vagy amelyből zsinórok vagy madzagok lógnak ki; beakadhatnak a mozgó részekbe.
- Ne viseljen laza ruházatot vagy ékszereket, amelyek bekerülhetnek a légbemeneti nyílásba.
- Ha hosszú a haja, azt a vállvonal felett rögzítse, nehogy beakadjon valamilyen mozgó alkatrészbe.

- A termék használata közben mindig viseljen teljes fülvédőt. Ez a gép nagyon hangos, és maradandó halláskárosodást eredményezhet, ha a kitétség korlátozására, a zaj csökkentésére és a fülvédő használatára vonatkozó előírások nincsenek szigorúan betartva.
- A termék használata közben mindig viseljen teljes szemvédőt. A gyártó kifejezetten javasolja a teljes arcmaszk vagy teljesen zárt védőszemüveg használatát. A normál szemüveg vagy a napszemüvegek nem nyújtanak megfelelő védelmet. Az erőteljes légáramlás bármikor nagy sebességgel röppíthet el tárgyakat, amelyek a kemény felületekről visszapattnak a kezelő felé.
- Minden használat előtt ellenőrizze, hogy az összes kezelőszerv és biztonsági eszköz megfelelően működik. Ne használja a gépet, ha a főkapcsoló nem állítja le a motort.
- Minden használat előtt vizsgálja át vizuálisan a gépet, és ellenőrizze az aprító eszközök, az aprító eszközök csavarjainak és más kötőelemeknek a rögzítését (ha lehetséges), a burkolat sértetlenségét, és hogy a védőburkolatok és fogantyúk megfelelően a helyükön vannak.
- A sérült vagy olvashatatlan címkék cseréjéhez vigye vissza egy hivatalos szervizközpontba.
- Soha ne működtesse a terméket hibás védőburkolatokkal vagy védőlemezekkel, illetve biztonsági berendezések, például felhelyezett hulladékgyűjtő nélkül.
- A hűtőlevegő bemeneteit tartsa lerakódástól mentesen.
- Fűvás / szívás előtt gereblye és seprű segítségével lazítsa fel a hulladékot.
- A használat előtt tisztítsa meg a munkaterületet. Távolítsa el minden tárgyat, úgymint köveket, törött üvegeket, szegeket, drótdarabokat és szálakat, amelyeket a nagysebességű levegő jelentős távolságra fújhat el.
- A terméket csak szilárd, vízszintes felületen

működtesse.

▲ FIGYELMEZTETÉS

A termék szívó üzemmódban való használata előtt a 165. oldalon látható módon össze kell szerelnie az alsó és felső szívócsöveket. Ez egy egyszeri művelet. Ne működtesse a gépet szívó üzemmódban, ha csak a felső szívócső van felszerelve. A személyi sérülés kockázata jelentősen megnő, ha nem tartja be ezt a figyelmeztetést.

HASZNÁLAT

- Ha használat közben a tápkábel megsérült, azonnal húzza ki a kábelt az elektromos hálózati aljzatból. **Az elektromos hálózatról való leválasztás előtt ne érjen a kábelhez.** Ne használja a gépet, ha a tápkábel károsodott vagy elhasználódott.
- Csak a nappali órákban használja a gépet – ne korán reggel vagy késő este, amikor megzavarhatja mások nyugalmát.
- Soha ne működtesse a terméket robbanásveszélyes környezetben.
- Kerülje a termék használatát rossz időjárási feltételek mellett, különösen villámlás esetén.
- Ne használja a gépet gyenge megvilágítás esetén. A kezelőnek tiszta rálátással kell rendelkeznie a munkaterületre, hogy azonosíthassa a potenciális veszélyeket.
- Fülvédő viseletkor csak korlátozottan hallja a figyelmeztetéseket (riasztást vagy kiáltást). A kezelőnek jobban oda kell figyelnie arra, hogy mi folyik a munkaterületen.
- Ne zaklassa fel magát, és mindig arra koncentráljon, amit csinál. Körültekintően mérlegeljen, és vegye figyelembe a tettei hatásait.
- Hasonló gépek egymás közelében történő használata növeli a halláskárosodás veszélyét, valamint annak veszélyét, hogy más személyek lépnek be az Ön munkaterületére.
- Stabilan álljon és vegyen fel megfelelő

egyensúlyt. Ne hajoljon ki túlságosan. A túlzott kihajlás egyensúlyvesztést eredményezhet.

- Mindig biztosan támaszkodjon meg a lejtőkön. Gyalogoljon, ne fusson.
- A testrészeit tartsa távol a mozgó alkatrészekről. A forgó propeller lapátjai komoly sérülést okozhatnak. Állítsa le a gépet, és győződjön meg róla, hogy a propeller lapátjai nem forognak, mielőtt kinyitná a ventilátor burkolatát, felszerelné vagy kicserélné a csöveket, kinyitná vagy eltávolítaná a hulladéktartó zsákokat.
- Soha ne működtesse a gépet megfelelően felszerelt tartozékok nélkül. Fűvógépként használva mindig szerelje fel a fűvócsöveket és zárja be a ventilátor védőburkolatát. Szívógépként való használatkor mindig szerelje fel a szívócsöveket és a szívózsákokat.
- Semmilyen módon ne módosítsa a gépet vagy használjon a gyártó által nem ajánlott alkatrészeket és tartozékokat.

▲ FIGYELMEZTETÉS

Ha a gép leesett, erős ütést kapott vagy rendellenesen kezd vibrálni, azonnal állítsa le a gépet, és vizsgálja át sérülések tekintetében vagy azonosítsa a vibráció okát. Minden sérülést hivatalos szervizközpontban kell megjavíttatni vagy kicseréltetni.

- A forgó alkatrészekkel való érintkezés okozta sérülések veszélyének csökkentése érdekében mindig állítsa le a gépet, válassza le a hálózatról, és ellenőrizze, hogy minden mozgó rész megállt:
 - tisztítás vagy eltömődés megszüntetése előtt
 - a termék felügyelet nélkül hagyása esetén
 - mielőtt felszerelné vagy eltávolítaná a tartozékokat
 - ellenőrzés, karbantartás vagy a gépen végzett bármilyen művelet megkezdése előtt

- egy idegen tárgy eltalálása után sérüléseket keresve vizsgálja át a terméket
- ha a gép szokatlanul kezd rezegni (ellenőrizze azonnal).

▲ FIGYELMEZTETÉS

Előfordulhat, hogy fúvó-/szívógép egy hevederrel van szállítva. Pontosan állítsa be a hevedert, hogy kényelmesen segítse a termék súlyának megtámasztását.

Keresse meg a gyorskioldó mechanizmust, és gyakorolja be a használatát, mielőtt elkezdené használni a gépet. A helyes használat megakadályozhatja a súlyos sérüléseket vészhelyzetben. Ne viseljen további ruházatot a hevederen felül, és ne korlátozza más módon a gyorskioldó mechanizmushoz való hozzáférést.

FÚVÓGÉP BIZTONSÁGI FIGYELMEZTETÉSEK

- Poros körülmények között viseljen arcmaszkot, hogy csökkentse a por beszívásából eredő sérülések veszélyét.
- Ne irányítsa a fúvógépet közvetlenül emberekre vagy háziállatokra.
- Soha ne tegyen semmilyen tárgyat a fúvócsövek belsejébe.
- Ne működtesse a gépet nyitott ablak közelében.
- Poros körülmények között enyhén nedvesítse be a felületet.
- A teljes fúvógépcső-hosszabbítót használja, hogy a légáram csak közvetlenül a talaj felett jusson ki a csőből.
- Ne tegye a fúvógépet laza hulladék tetejére vagy mellé. A hulladék bekerülhet a légbeömlő nyílásaiba, ami a berendezés súlyos károsodását eredményezheti.

A SZÍVÁSRA VONATKOZÓ BIZTONSÁGI FIGYELMEZTETÉSEK

▲ FIGYELMEZTETÉS

Ne működtesse a gépet szívó üzemmódban, ha csak a felső szívócső van felszerelve. A személyi sérülés kockázata jelentősen megnő, ha nem tartja be ezt a figyelmeztetést.

- Ne működtesse a gépet szívó üzemmódban, ha nincs felszerelve a szívózsák; a kirepülő hulladékok súlyos sérülést okozhatnak. A használat megkezdése előtt ellenőrizze, hogy a szívózsák teljesen be van zipzározva és be van zárva.
- Mozgassa a lombszívót jobbról balra a hulladék külső széle mentén. Az eltömődést elkerülendő ne tegye közvetlenül a hulladékrakásba a szívócsövet.
- Magasabban tartsa a motort, mint a szívócső bemeneti vége.
- Leejtőn történő munkavégzés esetén mindig lefelé irányítsa a szívócsövet.
- A kezelő súlyos sérülésének és a gép károsodásának elkerülése érdekében ne próbáljon felszívni köveket, törött üveget, palackokat vagy hasonló tárgyakat.
- Kerülje az olyan szituációkat, ahol a szívózsák meggyulladhat. Ne használja nyílt láng közelében. Ne szívja a géppel a tűzhelyeken, tábortüzeknél, hússütőkben, stb., visszamaradt forró hamut. Ne szívjon a géppel eldobott szivarokat, cigarettákat, csak ha a parázs már teljesen kihűlt.

SZÁLLÍTÁS ÉS TÁROLÁS

- Szállítás vagy tárolás előtt állítsa le a terméket, csatlakoztassa le a hálózatról és hagyja lehűlni a gépet.
- Minden idegen anyagtól tisztítsa meg a terméket. Hűvös, száraz és jól szellőztetett, gyerekektől elzárt helyiségben tárolja. Ne tárolja olyan oxidálószeres közelében, mint pl. kerti munkáknál használatos vegyszerek vagy jégmentesítő sók. Ne tárolja a szabadban.

- Szállításkor rögzítse a terméket elmozdulás és leesés ellen, hogy elkerülje a sérüléseket és a termék sérülését.

KARBANTARTÁS

▲ FIGYELMEZTETÉS

Csak a gyártó eredeti cserealkatrészeit, tartozékait és szerelékeit használja. Ennek figyelmen kívül hagyása gyenge motorteljesítményt, esetleges sérülést és a jóállás elvesztését okozhatja.

▲ FIGYELMEZTETÉS

szervizelés különös figyelmet és hozzáértést igényel, és csak szakképzett szerelő végezheti el. Javasoljuk, hogy a szervizeléskor a terméket vigye a legközelebbi hivatalos szervizközpontba javítás céljából. Szervizeléskor csak azonos cserealkatrészeket használjon.

- A használati útmutatóban leírt beállításokat és javításokat Ön is elvégezheti. Az egyéb javításokhoz vegye fel a kapcsolatot a hivatalos szervizzel.
- Minden egyes használat után egy puha, száraz ruhával tisztítsa meg a terméket.
- Gyakori időközönként ellenőrizze a csavaranyák, csavarok és fejescsavarok megfelelő meghúzását, hogy a termék biztonságos üzemi állapotban legyen. A sérült alkatrészeket egy hivatalos szervizközpontban kell megjavíttatni vagy kicseréltetni.
- Ne kísérelje meg kiiktatni a védőrekesz funkciót.

FENNMARADÓ KOCKÁZAT

Még a termék rendeltetésszerű használata esetén sem lehet teljesen kiküszöbölni minden kockázati tényezőt. A gép használata során a következő veszélyek merülhetnek fel, és a kezelőnek különösen oda kell figyelnie az alábbiak elkerülésére:

- A vibráció sérüléseket okozhat. Uvijek koristite pravi alat za posao. Koristite

označenu kopču i ograničite radno vrijeme i izloženost.

- A zajnak való kitettség halláskárosodást okozhat. Viseljen hallásvédőt és korlátozza a zajnak való kitettséget.
- Sérülést okozhatnak a fűvocső légárama által elfújott vagy a porszívóból kiáramló levegője miatt kirepülő tárgyak, ha a zsák nincs felhelyezve vagy sérült. Mindig viseljen megfelelő szemvédőt.

KOCKÁZATCSÖKKENTÉS

Arról számoltak be, hogy a kéziszerszámok használata során fellépő vibráció bizonyos személyeknél hozzájárulhat az úgynevezett Raynaud-szindróma (Raynaud's Syndrome) nevű állapot kialakulásához. A tünetei lehetnek: az ujjak zsibbadása, elfehéredése, szűrások érzése, amelyek hidegnek kitéve gyakran felerősödnek. Az öröklődő tényezők, a hidegnek kitettség és verejtékezés, a diéta, a dohányzás és munka közben alkalmazott fogások valószínűleg mind hozzájárulhatnak ezen tünetek megjelenéséhez. A vibráció hatásainak csökkentése érdekében a kezelőnek be kell tartani az alábbi óvintézkedéseket:

- Hideg időben tartsa melegen a testét. A termék használatakor viseljen kesztyűt a kéz és a csukló melegen tartásához. Arról számoltak be, hogy a hideg időjárásnak fontos szerepe van a Raynaud-szindróma kialakulásában.
- Bizonyos időtartamú használat után mindig végezzen gyakorlatokat a vérkeringés javításához.
- Gyakran tartson munkaszünetet. Korlátozza a napi munkaidőt.

Ha ezen állapot bármelyik tünetét tapasztalja, azonnal hagyja abba a munkát, és tájékoztassa az orvosát a tünetekről.

▲ FIGYELMEZTETÉS

Injuries may be caused, or aggravated, by prolonged use of a tool. Ha a gépet hosszú időn át kell használnia, tartson gyakran szünetet.

ISMERJE MEG A TERMÉKET

Lásd 164. oldal.

1. Ventilátor burkolat
2. Felső szívócső
3. Alsó szívócső
4. Vezetőkeretek
5. Nagyfordulatú fűvőfej
6. Alsó fűvőcső
7. Felső fűvőcső
8. Szívózsák
9. Zsák adapter
10. Fűvő/szívó üzemmód választókar
11. Elülső fogantyú
12. Fordulatszám választókapcsoló
13. Hátsó fogantyú
14. Be-/kikapcsoló kioldó

SZIMBÓLUMOK A TERMÉKEN



A termék használata előtt olvassa el és értse meg a kezelési útmutatóban leírtakat, és tartsa be az összes figyelmeztető és biztonsági utasítást.



Figyeljen a kivetett vagy repülő tárgyakra. Az összes nézelődő, különösen a gyerekek és a háziállatok, legyenek legalább 15 m-es távolságra a használati területtől.



Forgó ventilátorok. A termék működése közben a kezeit és a lábát tartsa távol a nyílásoktól.



Viseljen fülvédőt



Viseljen védőszemüveget



Ne tegye ki esőnek, és ne használja nedves környezetben.



Kikapcsolás: tisztítás vagy karbantartás előtt húzza ki a dugaszt a hálózathoz



Karbantartás előtt vagy sérülése, illetve átvágása esetén azonnal húzza ki a tápkábelt az elektromos hálózathoz.



Ez a szerszám minden, a vásárlás európai uniós országában hatályos szabványnak megfelel.



Class II gép, kettős szigetelés



A kiselejtett elektromos termékeket nem szabad a háztartási hulladékkal együtt kidobni. Ezeket újra kell hasznosítani, ha van rá lehetőség. Az újrahasznosítással kapcsolatban érdeklődjön a helyi önkormányzatnál vagy a termék forgalmazójánál.



A garantiált hangteljesítményszint 108 dB.



Fűvő üzemmód



Porszívó üzemmód



Ukrainai megfelelőségi nyilatkozat



Eurázsiai megfelelőségi jelzés

A KÉZIKÖNYVBEN HASZNÁLT SZIMBÓLUMOK



Csatlakoztassa egy elektromos hálózati aljzathoz



Húzza ki az elektromos hálózati aljzathoz



Megjegyzés



Figyelem

A következő jelölőszavak és jelentések arra szolgálnak, hogy megmagyarázzák a termékkel kapcsolatos veszélyességi szinteket.

⚠ VESZÉLY

Egy bekövetkező veszélyes helyzetet jelez, ami, ha nem előzik meg, halált vagy komoly sérülést eredményezhet.

⚠ FIGYELMEZTETÉS

Egy potenciálisan bekövetkező veszélyes helyzetet jelez, amit, ha nem előznek meg, halált vagy komoly sérülést eredményezhet.

⚠ FIGYELEMFELHÍVÁS

Egy potenciálisan veszélyes helyzetet jelez, ami, ha nem előzik meg, kisebb vagy mérsékelt sérülést eredményezhet.

FIGYELEMFELHÍVÁS

Biztonsági figyelmeztető szimbólum nélkül
Egy olyan helyzetet jelez, ami anyagi kárt eredményezhet.

Au fost acordate priorități maxime asupra siguranței, performanței și fiabilității în proiectarea aparatului dvs. de suflat/aspiratorului electric.

UTILIZARE PREVĂZUTĂ

Acest produs este proiectat doar pentru folosirea în mediul exterior.

Produsul nu este destinat a fi folosit de către copii sau persoane cu capacități fizice, mintale sau senzoriale reduse.

Produsul este proiectat să sufle resturile ușoare precum frunzele, iarba și alte resturi din grădină. Este proiectat să aspire resturi ușoare de compost așa cum este descris mai sus și să le depună în sacul de colectare. Nu a fost proiectat pentru absorbția și aspirarea apei sau a altor lichide.

⚠️ AVERTISMENT

Atunci când utilizează produsul, normele de siguranță trebuie să fie respectate. Pentru siguranța dvs și a trecătorilor, trebuie să citiți și să înțelegeți pe deplin aceste instrucțiuni înainte de a opera produsul. Vă rugăm să păstrați instrucțiunile într-un loc sigur pentru utilizare ulterioară.

⚠️ AVERTISMENT

Produsul nu este destinat a fi folosit de către copii sau persoane cu capacități fizice, mintale sau senzoriale reduse. Copiii trebuie să fie supravegheați adecvat pentru a vă asigura că nu se joacă cu produsul.

AVERTISMENTE GENERALE PRIVIND SIGURANȚA

INSTRUIRE

- Citiți instrucțiunile cu atenție. Familiarizați-vă cu comenzile și folosirea corectă a produsului.
- Nu lăsați niciodată copiii, persoanele cu capacități fizice, senzoriale sau mintale reduse sau cu lipsă de experiență și cunoștințe sau persoanele nefamiliarizate cu aceste instrucțiuni să folosească

produsul. Reglementările locale pot restricționa vârsta operatorului.

- Rețineți că operatorul sau utilizatorul este responsabil pentru accidentele sau pericolele ce pot avea loc asupra altor persoane sau proprietății lor.
- Țineți trecătorii, copiii și animalele de companie la 15 metri depărtare de zona de operare. Opriti produsul dacă cineva intră în zonă.
- Nu folosiți niciodată produsul când sunteți obosit, bolnav sau sub influența alcoolului, drogurilor sau medicamentelor.

SIGURANȚĂ ELECTRICĂ

- Ștecherile trebuie să se potrivească cu prizele. Nu modificați niciodată ștecărul în nici un fel. Nu folosiți niciodată adaptoare de ștecăr cu uneltele electrice cu împământare. Ștecărele nemodificate și prizele potrivite reduc riscul de electrocutare.
- Evitați pornirile involuntare. Verificați întotdeauna că întrerupătorul este în poziția Oprit înainte de conectarea produsului la priza electrică. Nu transportați un produs alimentat la priză având degetul pe butonul de pornire.
- Evitați contactul corpului cu suprafețele conectate la împământare, precum țevi, radiatoare, reșouri, mașini de gătit și frigidere. Există un risc crescut de electrocutare când corpul dumneavoastră are contact cu împământarea.
- Nu expuneți produsul la ploaie sau condiții de umiditate. Pătrunderea apei în aparat va crește riscul electrocutării.
- Energia electrică trebuie să fie furnizată printr-un dispozitiv pentru curent rezidual (RCD) cu un curent de declanșare de nu mai mult de 30 mA.
- Înainte de fiecare folosire, verificați de defecte cablul de alimentare. În caz de deteriorare înlocuiți imediat. Desfășurați întotdeauna cablul de alimentare, cablurile înfășurate pot să se supraîncalzească.
- Dacă e nevoie să folosiți un cablu prelungitor asigurați-vă că este



corespunzător pentru uzul în exterior și are o valoare nominală a curentului suficientă să vă alimenteze aparatul. Cablul prelungitor trebuie să fie marcat fie "H05 RN F", fie "H05 VV F". Verificați cablul prelungitor să nu fie deteriorat înainte de fiecare folosire. Desfășurați întotdeauna cablul prelungitor în timpul folosirii întrucât cablurile nedesfășurate se pot supraîncălzi. Cablurile prelungitoare deteriorate nu trebuie reparate, ele trebuie înlocuite cu un model echivalent.

- Asigurați-vă că cablul de alimentare este poziționat astfel încât să nu călcați pe el, să nu vă împiedicați de el sau să nu fie expus la deteriorare sau strivire.
- Nu ridicați sau transportați produsul de cablul electric.
- Nu trageți niciodată de cablul de alimentare pentru a deconecta de la sursa de alimentare.
- Păstrați cablul departe de căldură, ulei sau margini ascuțite.
- Direcționați întotdeauna cablul în spate ferit de produs.
- Asigurați-vă că tensiunea este corectă pentru produsul Dvs. O etichetă de pe produs indică tensiunea unității. Nu conectați produsul la o tensiune de curent alternativ care diferă de această tensiune.
- Asigurați-vă că comutatorul este în poziția Off (Oprit) înainte de deconectarea de la sursa de alimentare.

PREGĂTIRE

- Unele regiuni au reglementări care restricționează utilizarea produsului la unele operațiuni. Pentru sfaturi întrebați autoritățile dvs. locale.
- În timpul operării produsului purtați întotdeauna încălțăminte rezistentă și pantaloni lungi. Nu operați mașina când sunteți desculți sau purtați sandale deschise. Evitați purtarea de haine largi sau care au cordoane sau șireturi etc; ele pot fi prinse în părțile în mișcare ale aparatului.
- Nu purtați haine largi sau bijuterii ce pot fi

atrase de admisia de aer.

- Prindeți părul lung deasupra umerilor pentru a preveni prinderea lui de părțile în mișcare.
- Purtați protecție completă pentru auz tot timpul când operați acest produs. Produsul este extrem de zgomotos și poate rezulta în vătămare permanentă a auzului dacă nu sunt urmate cu strictețe instrucțiunile privind limita expunerii, reducerea zgomotului și purtarea de protecție pentru auz.
- Purtați protecție completă pentru ochi tot timpul când operați acest produs. Producătorul recomandă cu hotărâre folosirea unei măști complete pentru față sau ochelari de protecție cu apărători laterale. Ochelarii normali sau cei de soare nu reprezintă o protecție corespunzătoare. Obiectele pot fi aruncate cu o viteză mare de către jetul puternic de aer în orice moment și pot să ricoșeze din suprafețele tari înspre operator.
- Asigurați-vă că înainte de fiecare folosire toate funcțiile de control și dispozitivele de siguranță funcționează corect. Nu folosiți produsul dacă întrerupătorul "oprit" nu oprește motorul.
- Înainte de fiecare folosire, inspectați vizual pentru a vedea dacă mijloacelor de mărunțire, șuruburile mijloacelor de mărunțire și alte șuruburi sunt strânse fix (dacă este aplicabil), dacă nu e deteriorată carcasa și dacă apărătorile și mânerul sunt corect la locul lor.
- Returnați produsul la un service autorizat pentru a înlocui etichetele deteriorate sau ilizibile.
- Nu operați niciodată produsul cu apărătorile sau dispozitivele de protecție defecte, sau fără ele, de exemplu fără colectorul de resturi la locul său.
- Țineți toate orificiile de intrare a aerului de răcire departe de moloz.
- Folosiți greble sau măhuri pentru a slăbi resturile înainte de operațiunea de suflare/aspirare.
- Eliberați zona de lucru înainte de fiecare



utilizare. Îndepărtați toate obiectele precum pietre, sticlă spartă, cuie, fire electrice sau fire ce pot fi aruncate la o distanță considerabilă de către aerul cu viteză mare.

- Operați produsul doar pe o suprafață fixă și dreaptă.

⚠ AVERTISMENT

Înainte de a folosi produsul în modul aspirator trebuie să asamblați tuburile superioare și inferioare împreună așa cum este arătat la pagina 165. Aceasta este o operațiune singulară. Nu operați niciodată în modul aspirator montat doar cu tubul superior de aspirare. Riscul de vătămare personală este crescut semnificativ dacă nu urmați aceste avertizări.

UTILIZARE

- În cazul în care cablul este deteriorat în timpul utilizării, deconectați cablul de la priză imediat. **Nu atingeți cablul electric înainte de deconectarea de la priza electrică.** Nu utilizați mașina în cazul în care cablul este deteriorat sau uzat.
- Operați mașina doar la ore rezonabile - nu dimineața devreme sau seara târziu când lumea ar putea fi deranjată.
- Nu operați niciodată produsul într-un mediu exploziv.
- Evitați folosirea produsului în condiții de vreme rea în special când există risc de fulgere.
- Nu utilizați în condiții de iluminare necorespunzătoare. Operatorul necesită o panoramă clară a zonei de lucru pentru identificarea potențialelor pericole.
- Utilizarea antifoanelor reduce capacitatea de auzi avertismente (alarme sau strigăte). Operatorul trebuie să fie foarte atent la ceea ce se întâmplă în zona de lucru.
- Nu fiți niciodată cu atenția distrasă și concentrați-vă întotdeauna asupra ceea ce faceți. Gândiți-vă și luați în considerare cu atenție efectul acțiunilor dvs.
- Operarea de aparate similare în vecinătate crește atât riscul unei deteriorări a auzului

cât și posibilitatea ca alte persoane să intre în zona dvs. de lucru.

- Mențineți sprijin ferm pe picioare și echilibru. Nu vă aplecați excesiv. Aplecarea excesivă poate cauza pierderea echilibrului.
- Trebuie să stați întotdeauna într-o poziție stabilă pe pante. Mergeți. Nu alergați niciodată.
- Țineți toate părțile corpului la distanță de orice piesă în mișcare. Lamele rotorului în mișcare pot cauza rănirea gravă. Opriți produsul și asigurați-vă că lamele cu pale s-au oprit înainte de a deschide capacul ventilatorului, de instalarea sau schimbarea tuburilor, de deschiderea sau îndepărtarea sacului cu resturi.
- Nu operați unitatea fără ca echipamentul corespunzător să fie instalate. Atunci când e folosit ca suflantă, instalați întotdeauna tuburile de suflat și închideți capacul ventilatorului. Atunci când este utilizată ca aspirator, instalați tuburile de aspirare și punga de aspirare.
- Nu modificați mașina în niciun fel sau să folosiți părți și accesorii ce nu sunt recomandate de către producător.

⚠ AVERTISMENT

Dacă produsul este scăpat, suferă un impact dur sau începe să vibreze anormal, opriți imediat produsul și inspectați dacă este deteriorat sau identificați cauza vibrației. Orice deteriorare trebuie reparată corespunzător sau înlocuită la un centru service autorizat.

- Pentru a reduce riscul vătămării asociat cu contactul cu părțile în rotire, opriți întotdeauna produsul, deconectați-l de la priză și asigurați-vă că părțile în mișcare s-au oprit complet.
 - Înaintea curățării sau deblocării înfundării
 - când lăsați produsul nesupravegheat
 - Înaintea instalării sau îndepărtării accesoriilor
 - Înaintea verificării, efectuării întreținerii

sau utilizării produsului

- pentru a inspecta produsul dacă e deteriorat după ce a lovit un obiect străin.
- dacă produsul începe să vibreze anormal (verificați imediat)

⚠ AVERTISMENT

Aparatul dvs de suflat/aspirat ar putea fi furnizat cu centură. Reglați cu atenție hamul pentru a vă ajuta confortabil să susțineți greutatea produsului.

Identificați mecanismul de eliberare rapidă și faceți câteva probe înainte de a folosi aparatul. Folosirea corespunzătoare poate preveni vătămarea gravă în cazul unei urgențe. Nu purtați niciodată haine suplimentare peste centură sau în altfel să restricționați accesul la mecanismul de eliberare rapidă.

AVERTIZĂRI DE SIGURANȚĂ A APARATULUI DE SUFLAT.

- În condiții de prezență a prafului, purtați o mască facială prevăzută cu filtru pentru a reduce riscurile asociate cu inhalarea prafului.
- Nu direcționați duza suflantei către persoane sau animale.
- Nu așezați niciodată obiecte în interiorul furtunelor aparatului de suflat.
- Nu folosiți mașina lângă ferestrele deschise.
- Umeziți ușor suprafețele în condiții de praf.
- Folosiți prelungitorul duzelor de suflat pentru ca fluxul de aer să lucreze aproape de sol.
- Nu așezați aparatul de suflat pe sau în vecinătatea resturilor desprinse. Resturile ar putea fi aspirate în orificiul de admisie rezultând în posibila deteriorare a aparatului.

AVERTIZĂRI DE SIGURANȚĂ A APSPIRATORULUI

⚠ AVERTISMENT

Nu operați niciodată în modul aspirator montat doar cu tubul superior de aspirare. Riscul de vătămare personală este crescut semnificativ dacă nu urmați aceste avertizări.

- Nu operați aspiratorul fără a avea instalat sacul de colectare, resturile aruncate pot cauza vătămare serioasă. Asigurați-vă că sacul de aspirare este perfect închis înainte de operare.
- Mutați aspiratorul dintr-o parte în alta în afara marginilor resturilor. Pentru a evita înfundarea, nu plasați tubul de aspirare direct în grămada de resturi.
- Țineți motorul mai sus decât capătul de admisie a tubului de aspirare.
- Îndreptați întotdeauna tubul de aspirare înspre partea inferioară a dealului atunci când lucrați pe o pantă.
- Pentru evitarea vătămării grave a operatorului sau a deteriorării aparatului, nu încercați să aspirați pietre, sticlă spartă, sticle sau alte obiecte similare.
- Evitați situațiile care ar putea provoca aprinderea pungii de aspirare. Nu operați aparatul în apropierea unei flăcări deschise. Nu aspirați cenușă caldă din șemineuri, grătare, vreascuri etc. Nu aspirați resturi de țigară în cazul în care cenușa nu este complet răcită.

TRANSPORTAREA ȘI DEPOZITAREA

- Opriți produsul, deconectați-l de la priză și lăsați-l să se răcească înainte de a-l depozita sau transporta.
- Curățați toate materialele străine din produs. Depozitați-l într-un loc răcoros, uscat și bine aerisit ce este inaccesibil copiilor. Nu-l depozitați în apropiere de agenți corozivi cum ar fi produși chimici de grădinărit sau săruri antigel. Nu depozitați în aer liber.

EN
FR
DE
ES
IT
NL
PT
DA
SV
FI
NO
RU
CS
PL
HU
RO
LV
LT
ET
HR
SL
SK
BG
UK
TR

- Pentru transportare, fixați produsul împotriva mișcării sau căderii pentru a preveni vătămarea persoanelor sau deteriorarea produsului.

ÎNTREȚINEREA

⚠️ AVERTISMENT

Folosiți doar piese de schimb, accesorii și atasamente originale ale producătorului. Neurmarea acestora poate cauza posibilă vătămare, slaba funcționare și ar putea anula garanția.

⚠️ AVERTISMENT

Service-ul necesită atenție și cunoștințe deosebite și trebuie îndeplinit doar de către un tehnician service calificat. Pentru service sugerăm să returnați produsul la cel mai apropiat centru service autorizat pentru efectuarea reparațiilor. Când se efectuează service-ul folosiți doar piese de schimb identice.

- Puteți face reglaje și reparații descrise în acest manual de instrucțiuni. Pentru alte reparații, contactați agentul service autorizat.
- După fiecare folosire curățați produsul cu o cârpă moale și uscată.
- Verificați toate piulițele, suruburile la intervale frecvente de timp ca să fie corespunzător strânse pentru a vă asigura că produsul este în stare de lucru în siguranță. Orice piesă deteriorată trebuie să fie reparată în mod corespunzător sau înlocuită de un service autorizat.
- Nu încercați niciodată să vă întindeți peste caracteristica de interblocare a apărătorii.

RISCURI REZIDUALE

Chiar dacă produsul este folosit așa cum a fost prescris, este totuși imposibil să se elimine complet anumiți factori de risc reziduali. Următoarele pericole pot apărea în timpul folosirii și operatorul trebuie să acorde atenție specială pentru a evita următoarele:

- Vătămare cauzată de vibrație. Folosiți întotdeauna aparatul potrivit pentru sarcină. Folosiți mânerele prevăzute și restricționați timpul de lucru și expunerea.
- Expunerea la zgomot poate cauza vătămarea auzului. Purtați protecție pentru auz și limitați expunerea.
- Vătămarea cauzată de obiectele aruncate de fluxul de aer al furtunului de suflat sau a evacuării aspiratorului dacă sacul nu este prins sau este deteriorat. Purtați protecție pentru ochi adecvată tot timpul.

REDUCEREA RISCULUI

S-a raportat faptul că vibrațiile produse de uneltele manuale pot contribui, la anumite persoane, la o afecțiune denumită Sindromul Raynaud. Simptomele pot include furnicături, amorțeală și albirea degetelor, care apare, de obicei, după expunerea la frig. Factori ereditari, expunerea la frig și umiditate, dieta, fumatul și practicile de muncă contribuie la dezvoltarea acestor simptome. Există măsurători care pot fi efectuate de către operator pentru a reduce efectele de vibrațiilor:

- Păstrați-vă temperatura corporală ridicată pe vreme rece. Când operați produsul purtați mănuși pentru a menține calde mâinile și încheieturile. S-a constatat că vremea rece este un factor major care contribuie la sindromul Raynaud.
- După fiecare perioadă de operare, trebuie făcute exerciții pentru a crește circulația sângelui.
- Trebuie făcute pauze la intervale de timp regulate. Limitați expunerea zilnică.

Dacă sunt experimentate oricare dintre simptomele acestei afecțiuni, trebuie întreruptă utilizarea și consultat un medic.

⚠️ AVERTISMENT

Pot fi cauzate sau agravate vătămările de la folosirea prelungită a aparatului. Atunci când folosiți o sculă pentru perioade prelungite, asigurați-vă că luați pauze regulate.

CUNOAȘTEȚI-VĂ PRODUSUL

Vezi pagina 164.

1. Apărătoare ventilator
2. Tub de aspirare superior
3. Tub de aspirare inferior
4. Roți de ghidare
5. Duză de mare viteză
6. Tub de suflat inferior
7. Tub de suflat superior
8. Sac aspirator
9. Adaptor pentru sac
10. Manetă de selectare mod suflantă/ aspirator
11. Mâner anterior
12. Selector de viteză
13. Mânerul principal
14. Trăgaci pornire/oprire

SIMBOLURILE DE PE PRODUS.



Citiți și înțelegeți toate instrucțiunile înainte operării produsului, urmați toate avertizările și instrucțiunile de siguranță.



Ferțiți-vă de obiecte proiectate sau în zbor. Țineți toți trecătorii, în special copiii și animalele de companie la cel puțin 15 metri de zona de operare.



Ventilatoare în rotire Țineți mâinile și picioarele în afara deschizăturilor cât timp produsul este în funcțiune.



Purtați protecție pentru urechi



Purtați întotdeauna ochelari de protecție



Nu expuneți la ploaie sau umezeală.



Opriiți și deconectați de la priză înainte de curățare sau întreținere.



Deconectați fișa de la rețeaua de alimentare cu electricitate imediat înainte de realiza operații de întreținere sau în cazul în care cablul este deteriorat sau tăiat.



Acest aparat este conform cu ansamblul normelor reglementare din țara din UE în care a fost cumpărat.



Aparat clasa II, izolație dublă.



Deșeurile produselor electrice nu trebuie scum înlăturate împreună cu deșeurile casnice. Vă rugăm reciclați acolo unde există facilități. Verificați la autoritatea dvs locală sau la vânzător pentru sfaturi privind reciclarea.



Nivelul garantat de putere al sunetului este de 108 dB



Mod suflantă



Mod aspirator



Semn de conformitate ucrainean



Marcaj de conformitate EurAsian

SIMBOLURI DIN ACEST MANUAL



Conectarea la priză



Deconectați de la priză



Observație



Avertisment

următoarele cuvinte simbol și înțelesul lor au intenția de a explica nivelele de risc asociate cu acest produs.

⚠ PERICOL

Indică o situație periculoasă iminentă, care dacă nu este evitată va cauza decesul sau vătămarea gravă.

⚠ AVERTISMENT

Indică o situație periculoasă iminentă, care dacă nu este evitată poate rezulta în deces sau vătămare gravă.

⚠ ATENȚIE

Indică o situație potențial periculoasă, care dacă nu este evitată poate cauza vătămarea moderată sau ușoară.

ATENȚIE

Fără a simbolul de alertă privind siguranța
Indică o situație care poate duce la pagube materiale.

Izstrādājot šo elektrisko pūtēju/sūcēju, īpaša uzmanība veltīta drošībai, veiktspējai un uzticamībai.

PAREDZĒTAIS LIETOJUMS

Šī ierīce paredzēta izmantošanai tikai ārpus telpām.

Ierīce nav paredzēta bērniem vai cilvēkiem ar samazinātām fiziskām, garīgām spējām vai maņu kustību traucējumiem.

Ierīce ir paredzēta, lai pūstu vieglus priekšmetus, piemēram, lapas, zāli un citus dārza atkritumus. Ar to ir paredzēts iesūkt un viegli mulčēt grūzus, kā tas ir iepriekš norādīts un savākt to visu savākšanas maisā. Tas nav paredzēts ūdens vai citu šķidrumu sūkšanai.

▲ BRĪDINĀJUMS

Izmantojot ierīci, izpildiet drošības noteikumus. Jūsu un tuvāk stāvošo cilvēku drošībai, pirms ierīces lietošanas jums ir jāizlasa un pilnībā jāsaprot šīs ierīces instrukcijas. Lūdzu, glabājiet noteikumus drošā vietā vēlākai izmantošanai.

▲ BRĪDINĀJUMS

Ierīce nav paredzēta bērniem vai cilvēkiem ar samazinātām fiziskām, garīgām spējām vai maņu kustību traucējumiem. Nepieciešams pienācīgi uzmanīties bērņus, lai nodrošinātu, ka tie nespēlējās ar ierīci.

VISPĀRĪGIE DROŠĪBAS BRĪDINĀJUMI

APMĀCĪBA

- Uzmanīgi izlasiet norādījumus. Iepazīstieties ar ierīces vadīšanu un pareizu lietošanu.
- Nekad neļaujiet bērniem, cilvēkiem ar samazinātām fiziskajām spējām, maņu vai garīgiem traucējumiem, vai cilvēkiem ar pieredzes un zināšanu trūkumu, vai cilvēkiem, kuri nav iepazinušies ar instrukcijām, izmantot šo ierīci. Vietas jstatymai gali apriboti jrengimo operatoriaus amžiu.
- Turēkite omenyje, kad operatorius arba

varতোজাযা atsakingas už nelaimingus atsitikimus arba kitiems asmenims ar jų turtui sukeltą pavojų.

- Pārliecinieties, ka tuvumā stāvošie bērni un dzīvnieki ir 15 m attālumā no jūsu darbošanās vietas. Ja kāds ienāk zonā, apturiet precī.
- Nekad neizmantojiet produktu, kad esat noguris, slims vai alkohola, narkotiku vai medikamentu iespaidā.

ELEKTRODROŠĪBA

- Kontaktdakšai ir jābūt tādai pašai kā elektrības izejai. Nekad nepārveidojiet kontaktdakšu. Sazemētiem elektroinstrumentiem nelietojiet pārejas ligzdas. Nepārveidotas kontaktdakšas un atbilstošas kontaktligzdas samazinās elektriskā trieciena risku.
- Izvairieties no nejaušas iedarbināšanas. Pirms pievienojiet iekārtu pie elektrības, vienmēr pārbaudiet, vai ieslēgšanas slēdzis atrodas pozīcijā izslēgts. Nepārnēsiet pieslēgtu izstrādājumu, turot pirkstu uz slēdža.
- Nepieļaujiet ķermeņa kontaktu ar sazemētām virsmām, piemēram, caurulēm, radiatoriem, pavardiem un saldētavām. Ja jūsu ķermenis ir sazemēts, pastāv palielināts elektriskā trieciena risks.
- Nepakļaujiet precī lietum vai slapjiem apstākļiem. Ūdenim iekļūstot iekārtā, palielināsies risks saņemt elektriskās strāvas triecienu.
- Elektriskā enerģija jāpiegādā caur strāvas noplūdes automātslēdzi (RCD) ar atslēgšanas strāvu, kas nepārsniedz 30 mA.
- Pirms katras lietošanas reizes pārbaudiet, vai strāvas vads nav bojāts. Bojājumu gadījumā nekavējoties nomainiet. Lietošanas laikā vienmēr attiniet strāvas vadu, satīti vadi var pārkarst.
- Ja jums ir nepieciešamība lietot pagarinātāja vadu, pārliecinieties, ka tas ir derīgs lietošanai ārā un, ka tam ir atbilstoša jauda, lai spētu ar elektrību nodrošinātu jūsu darbarīku. Pagarinātājauklai ir jābūt

apzīmētai ar "H05 RN F" vai "H05 VV F" Pirms katras lietošanas, pārbaudiet pagarinātāja vadu, vai tā nav bojāta. Izmantošanas laikā, pilnībā attiniet pagarinātāja vadu, jo satīti pagarinātāja vadi var pārkarst. Bojātu vada pagarinātāju nedrīkst labot, to jānomaina pret līdzvērtīgu.

- Pārliedzieties, ka elektrības vads ir novietots tā, lai neuzkāptu, nepakļuptu uz tā, vai citādi to nepakļautu bojājumam vai slodzei.
- Nekad nepaceliet un nenesiet izstrādājumu aiz elektriskā kabeļa.
- Atvienojot no enerģijas avota, nekad nevelciet aiz elektriskā vada.
- Turiet elektrības vadu prom no siltuma avota, eļļas un asām šķautnēm.
- Kabeli vienmēr turiet aiz ierīces.
- Pārliedzieties, ka spriegums atbilst jūsu precei. Ierīces spriegums norādīts uz iekārtas nosaukuma plāksnītes. Nekad nepievienojiet ierīci cita sprieguma vērtības maiņspriegumam.
- Pirms atvienošanas no enerģijas avota pārliedzieties, vai slēdzis ir izslēgtā (Off) stāvoklī.

SAGATAVOŠANA

- Dažos reģionos pastāv noteikumi, kas ierobežo darbības, kurām produkts ir izmantojams. Vērsieties pie atbildīgajām amatpersonām pēc padoma.
- Izmantojot ierīci, vienmēr lietojiet atbilstošus apavus un garās bikses. Neestrādājiet ar iekārtu, ja jums ir basas kājas vai vaļējas sandales. Lietojiet pieguļošu apģērbu vai apģērbu no kura nekas nekarājas; citādi, tie var tikt ierauti zargriezī.
- Nevelciet brīvu apģērbu vai juvelierizstrādājumus, kas var tikt ierauti gaisa ieejā.
- Nostipriniet garus matus tā, lai tie ir virs plecu līmeņa, lai novērstu sapīšanos kustīgajās daļās.
- Ierīces izmantošanas laikā, vienmēr lietojiet ausu aizsargu. Ierīce ir ļoti skaļa, un, ja netiek pilnībā ievēroti norādījumi

par iedarbības ierobežošanu, trokšņa samazināšanu un dzirdes aizsarglīdzekļu lietošanu, var rasties neatgriezeniski dzirdes bojājumi.

- Ierīces izmantošanas laikā, vienmēr lietojiet pilnu acu aizsargu. Ražotāji obligāti iesaka lietot pilnu sejas masku vai pilnībā noslēgtas aizsargbrilles. Parastās brilles vai saulesbrilles nevar tikt izmantotas aizsardzībai. Jebkurā brīdī gaisa strūkļas var izraisīt priekšmetu lidošanu lielā ātrumā, kā rezultātā tie var atlēkt no cietas virsmas un trāpīt strādniekam.
- Pirms katras lietošanas reizes pārliedzieties, ka visas kontroles un drošības sistēmas ir darba kārtībā. Neizmantojiet ierīci, ja izslēgšanas slēdzis neapstādina motoru.
- Pirms katras lietošanas, vienmēr vizuāli pārbaudiet, lai redzētu, ka smalcināšanas līdzekļi, to skrūves un citi stiprinājumi ir nostiprināti (ja piemērojams), apvalks ir nebojāts, aizsargi un rokturi ir pareizi nostiprināti vietā.
- Ja jāaizstāj sabojātas vai nesalasāmas uzlīmes, dodieties uz pilnvarotu servisa centru.
- Nekad neizmantojiet ierīci ar bojātiem aizsargiem vai vairogiem vai arī bez drošības ierīcēm, piemēram, grūžu savācēja.
- Dzesēšanas gaisa ieejas atveres nedrīkst būt aizsērējušas.
- Izmantojiet grābekļus un slotas, lai uzirdinātu darba virsmu pirms pūšanas/sūkšanas.
- Pirms katras izmantošanas atfīriet darba zonu. No darba zonas aizvāciet tādus priekšmetus kā akmeņus, stikla lauskas, naglas, vadus, vai auklas, un citus priekšmetus, kas saskarsmē ar liela ātruma gaisa plūsmu var tikt tālu aizpūsti.
- Darbiniet precīzi tikai uz cietas, līdzenas virsmas.

▲ BRĪDINĀJUMS

Pirms izmantojot iesūkšanas režīmu, jums ir jāsavieno augšējā un apakšējā iesūkšanas caurule, kā tas ir norādīts 165. lappusē. Šī ir tikai vienreizēja darbība. Nekad neizmantojiet iesūkšanas režīmu tikai ar pielāgotu augšējo iesūkšanas cauruli. Ja jūs neievērojat šos brīdinājumus, personiskas traumas risks ļoti palielinās.

EKSPLOATĀCIJA

- Ja vads lietošanas laikā tiek sabojāts, nekavējoties atvienojiet to no barošanas avota. **Neaiztieciet vadu pirms neesat atvienojis elektrību.** Nelietojiet iekārtu, ja tās vads ir bojāts vai nodilis.
- Lietojiet ierīci saprātīgās dienas daļās – nelietojiet to agri no rīta vai vēlā naktī, kad jūs varat traucēt citiem cilvēkiem.
- Nelietojiet ierīci apstākļos, kur tā var uzsprāgt.
- Nelietojiet ierīci sliktos laika apstākļos, it īpaši, kad pastāv zibens riski.
- Nelietojiet sliktā apgaismojumā. Lietotājam jābūt pilnai redzamībai pār darba zonu, lai spētu identificēt iespējamus draudus.
- Dzirdes aizsargu lietošana mazinās jūsu spēju dzirdēt brīdinājumus (bļāvienus vai skaņas signālus). Operatoram jāpievērš sevišķa uzmanība tam, kas notiek darba zonā.
- Vienmēr koncentrējieties uz to, ko jūs šobrīd darāt. Rūpīgi pārdomājiet un apsveriet savas darbības.
- Līdzīgas ierīces izmantošana tuvumā palielina gan risku sabojāt dzirdi, gan iespēju, ka otrs cilvēks ieies jūsu darba zonā.
- Visada tvirtai stovēkite ir išlaikykite pusiausvyrā. Nepersitempkite. Persitempē galite prarasti pusiausvyrā.
- Slīpumā kājas vienmēr turiet stabilā pozīcijā. Ejiet, nekādā gadījumā neskrieniet.
- Turiet visas ķermeņa daļas tālu no visām kustīgajām detaļām. Rotējošas darbrata

lāpstiņas var radīt nopietnas traumas. Pirms ventilatora vāka atvēršanas, cauruļu uzstādīšanas vai nomainīšanas, gruzu maisu atvēršanas vai noņemšanas, apturiet ierīci un pārliecinieties, ka darbrata asmeņi ir beiguši griezties.

- Nedarbiniet iekārtu, ja nav uzstādīts pareizais aprīkojums. Ja izmantojiet kā pūtēju, vienmēr uzstādiet pūšanas cauruli un aizveriet ventilatora aizsargu. Ja iekārtu izmanto kā sūcēju, obligāti uzstādiet sūkšanas caurules un savākšanas maisu.
- Nepārveidojiet ierīci un nelietojiet detaļas un aksesuārus, kurus nav ieteicies ražotājs.

▲ BRĪDINĀJUMS

Ja ierīce tiek nomesta, tā ir saskārusies ar smagu triecienu vai tā sāk nevaldāmi vibrēt, nekavējoties izslēdziet ierīci un centieties atrast bojājumu vai arī cēloni šādai vibrācijai. Jebkāda tehniska apkope ir jāveic tikai autorizētos tehniskās apkopes centros.

- Lai samazinātu risku savainoties ar ierīces rotējošajām daļām, vienmēr apstādiniet ierīci, atvienojiet to no elektrības, un pārliecinieties, ka visas tās kustīgās daļas ir pilnībā apstājušās:
 - pirms tīrīšanas vai šķēršļu izciršanas
 - kad atstājat ierīci bez uzraudzības
 - pirms pievienojat vai noņemat piestiprinājumus
 - pirms ierīces pārbaudīšanas, apkopes vai darbināšanas
 - lai pārbaudītu preces bojājumus pēc sadursmes ar kādu priekšmetu
 - ja iekārta sāk neparasti vibrēt (pārbaudiet nekavējoties)

▲ BRĪDINĀJUMS

Jūsu pūtējam/sūcējam komplektā var būt arī turētājs. Uzmanīgi uzstādiet drošības jostas, lai palīdzētu ērti atbalstīt ierīces svaru.

Identificējiet ātrās atbrīvošanas mehānismu un iemācieties to lietot pirms jūs esat sācis lietot šo ierīci. Šī mehānisma pareiza izmantošana var pasargāt jūs no ievainojumiem ārkārtas gadījumos. Nekad nevelciet citu apģērbu virs turētāja vai jebkādā citā veidā apgrūtiniet piekļuvi ātrās atlaišanas mehānismam.

PŪTĒJA DROŠĪBAS BRĪDINĀJUMI

- Putekļainos apstākļos valkājiet sejas filtra masku, lai mazinātu traumu riskus saistībā ar putekļu ieelpošanu.
- Nevērsiet pūtēja sprauslu cilvēku vai dzīvnieku virzienā.
- Nekādā gadījumā nelieciet priekšmetus pūtēja caurulēs.
- Nedarbiniet mašīnu atvērtu logu tuvumā.
- Putekļainos apstākļos viegli samitriniet virsmas.
- Lietojiet pilnu pūtēja uzgaļa pagarinājumu tā, lai gaisa plūsma var strādāt tuvu zemei.
- Nenovietojiet ierīci uz vai tuvumā priekšmetiem. Tie var tikt iesūkti gaisa padavē un sabojāt ierīci.

SŪCĒJA DROŠĪBAS BRĪDINĀJUMI

▲ BRĪDINĀJUMS

Nekad neizmantojiet iesūkšanas režīmu tikai ar pielāgotu augšējo iesūkšanas cauruli. Ja jūs neievērojat šos brīdinājumus, personiskas traumas risks ļoti palielinās.

- Nelietojiet sūcēju, ja tam nav pievienota sūcēja somiņa; lidojoši ieži var radīt nopietnus ievainojumus. Pārlicinieties, ka sūcēja somiņa ir pilnīgi aizvērta, pirms ierīces lietošanas.
- Kustīniet sūcēju no vienas puses uz otru. Lai novērstu aizsērējumu, nelieciet

iesūkšanas cauruli iekšā grūžu kaudzē.

- Turiet motoru augstāk par iesūkšanas caurules ieeju.
- Kad strādājat slīpumā, pastāvīgi turiet sūkšanas cauruli pavērstu uz leju.
- Lai izvairītos no ievainojumiem vai bojājumiem, nemēģiniet uzsūkt tādas priekšmetus kā akmeņi, stikla lauskas, pudeles, u.c. līdzīgus priekšmetus.
- Izvairieties no situācijām, kurās savākšanas maiss varētu aizdegties. Nestrādājiet liesmu tuvumā. Nesūciet siltus pelnus no ugunsкура, šašliku ceptuvēm, žagaru kaudzēm utt. Nesūciet cigāru vai cigarešu izsmēkus, ja tie nav pilnībā atdzisuši.

TRANSPORTĒŠANA UN UZGLABĀŠANA

- Pirms ierīces noglabāšanas vai pārvešanas, izslēdziet to, atvienojiet to no elektrības un ļaujiet tai atdzist.
- Notīriet visus svešķermeņus no izstrādājuma. Uzglabājiet to vēsā, sausā un labi vēdinātā vietā, kurai nevar piekļūt bērni. Neglabājiet to vietā, kur tuvumā atrodas korozīvas vielas, piemēram dārza darbos izmantojamas ķīmikālijas vai atsaldēšanai domāta sāls. Neuzglabājiet ārpus telpām.
- Transportējot nostipriniet ierīci, lai tā nekustētos un neapgāztos, jo tas var izraisīt miesas bojājumus un ierīces bojājumus.

APKOPE

▲ BRĪDINĀJUMS

Lietojiet tikai oriģinālās ražotāja rezerves daļas, piederumus un uzgaļus. Pretējā gadījumā var tikt radīti ievainojumi un parādīts sliktis sniegums, kā arī var tikt anulēta garantija.

▲ BRĪDINĀJUMS

Aptarnavimā atlikti būtina itin atidzīai, tādēļ rekomendojame, kad tehniņē apžiūrā vykdytū kvalifikuotas specialistas. Techninei apžiūrai atlikti patariame gražinti prietaisā j artimiausjā įgaliot ā paslaugū teikimo tarnyb ā. Sugedusias detales keiskite tik originaliomis detalēmis.

- Daudzus šajā lietotāja rokasgrāmatā aprakstītos regulēšanas un remontdarbus varat veikt pats. Lai veiktu citus remontdarbus, sazinieties ar pilnvarotu servisa darbinieku.
- Pēc katras lietošanas reizes notīriet precī ar mīkstu, sausu drāniņu.
- Regulāri pārbaudiet visus uzgriežņus, stiprinājumus un skrūves, lai pārliecinātos, ka tās ir cieši pievilktas un izstrādājums ir drošā darba stāvoklī. Jebkura bojāta detaļa jānodod remontam vai nomainīgai pilnvarotā apkopes centrā.
- Nekad nemēģiniet ignorēt aizsarga noslēdzes sistēmu.

OBJEKTĪVIE RISKI

Pat ka prece ir lietotā kā noteikts, nav iespējams pilnībā novērst noteiktus riska faktorus. Lietošanas laikā var rasties šādas bīstamas situācijas, un lietotājam ir jāpievērš pastiprināta uzmanība, lai tās novērstu:

- Vibrācijas radīts ievainojums. Vienmēr izmantojiet pareizos rīkus tiem paredzētajam darbam. Izmantojiet norādītos rokturus un ierobežojiet laiku, cik ilgi izmantojat ierīci.
- Saskarsme ar troksni var radīt dzirdes traucējumus. Valkājiet ausu aizsargu un ierobežojiet saskarsmi.
- Ja somiņa nav kārtīgi pievienota, vai tā ir bojāta, tad pastāv risks gūt ievainojumus no lidojošiem priekšmetiem, no pūtēja caurules gaisa plūsmas vai sūcēja izvades. Vienmēr izmantojiet atbilstošu acu aizsargu.

RISKA SAMAZINĀŠANA

Ir ticis ziņots, ka vibrācijas no rokas instrumentiem atsevišķos cilvēkos var veicināt kaiti, ko sauc par Reino sindromu. Simptomi var ietvert pirkstu tīnkšķēšanu, nejutīgumu un nobālēšanu, parasti aukstā laikā. Tiek uzskatīts, ka tradicionālie faktori, aukstums un mitrums, uzturs, smēķēšana un darba prakse sekmē šo simptomu attīstību. Operators var veikt pasākumus, lai iespējami samazinātu vibrācijas efektu:

- Aukstā laikā ķermenim jābūt siltam. Kad darbināt precī valkājiet cimdus, lai rokas un plaukstu locītavas būtu siltas. Ir pētījumi, ka auksts laiks ir galvenais faktors, kas veicina Reino sindromu.
- Ik pēc laika apturiet darbu un veiciet vingrinājumus, kas uzlabo asins cirkulāciju.
- Strādājot jābūt biežiem pārtraukumiem. Ierobežojiet iedarbības ilgumu dienā.

Ja jūs izjūtat kādu no šiem simptomiem, nekavējoties apturiet ierīces lietošanu un sazinieties ar ārstu par šiem simptomiem.

▲ BRĪDINĀJUMS

Ilgstoša preces lietošana var radīt ievainojumus vai pasliktināt jau esošos. Ilgstoši lietojot jebkuru instrumentu, pārliecinieties, ka tiek veikti regulāri pārtraukumi.

PAZĪSTIET SAVU IERĪCI

Skatīt 164. lappusi

1. Ventilatora aizsargs
2. Augšējā iesūkšanas caurule.
3. Apakšējā iesūkšanas caurule.
4. Papildus riteņi
5. Liela ātruma sprausla
6. Apakšējā pūšanas caurule.
7. Augšējā pūšanas caurule.
8. Iesūkšanas soma.
9. Somas adapters
10. Pūšanas/vakuuma režīma pārslēgšanas svira
11. Priekšējais rokturis
12. Ātruma pārslēgs
13. Aizmugurējais rokturis
14. Iesl./izsl. sprūds

UZ PRECES ESOŠIE SIMBOLI



Pirms preces darbināšanas izlasiet un izprotiet visus norādījumus, ievērojiet visus brīdinājumus un drošības norādījumus.



Sargieties no izmestiem vai lidojošiem priekšmetiem.

Rūpējieties, lai visi tuvumā stāvošie, īpaši bērni un dzīvnieki atrastos vismaz 15 m attālumā no darba zonas



Rotējoši ventilatori. Kamēr ierīce darbojas, turiet rokas un kājas prom no spraugām.



Lietojiet dzirdes aizsargus



Valkājiet acu aizsargaprīkojumu



Nepakļaujiet lietum vai mitriem apstākļiem.



Izslēdziet: pirms tīrīšanas un apkopes, atvienojiet kontaktdakšu no elektrības.



Pirms apkopes veikšanas vai gadījumā, ja kabelis ir bojāts vai sagriezts, nekavējoties atvienojiet kontaktdakšu no elektroīkla.



Darbarīks atbilst visām normām ES valstī, kurā tas ir iegādāts.



2. klases instruments, dubulta izolācija



Izlietotie elektroprodukti nedrīkst tikt izmesti kopā ar mājsaimniecības atkritumiem. Lūdzu, nododiet tos attiecīgajās atk ār tolas izmantošanas vietās. Sazinieties ar savu vietējo varas pārstāvi vai izplatītāju, lai noskaidrotu, kur iespējama atkārtota pārstrāde.



Garantētais skaņas jaudas līmenis ir 108 dB.



Pūšanas režīms



Iesūkšanas režīms



Ukrainas apstiprinājuma zīme



EurAsian atbilstības marķējums

SIMBOLI ŠAJĀ ROKASGRĀMATĀ



Pievienojiet enerģijas avotam



Atvienojiet no enerģijas avota



Piezīme



Brīdinājums

Lai izskaidrotu risku, kas saistīti ar izstrādājumu, līmeni, paredzēti šādi norādījuma vārdi un jēdzieni.

⚠ BĪSTAMI

Norāda draudošo bīstamo situāciju, kas, ja no tās neizvairās, var novest pie nāves vai nopietnas traumas.

⚠ BRĪDINĀJUMS

Norāda potenciālo bīstamo situāciju, kas, ja no tās neizvairās, var novest pie nāves vai nopietnas traumas.

⚠ UZMANĪBU

Norāda potenciālo bīstamo situāciju, kas, ja no tās neizvairās, var novest pie nelielas vai vidējas traumas.

UZMANĪBU

Bez drošības brīdinājuma apzīmējuma Norāda uz situāciju, kas var radīt īpašuma bojājumus.

Projektuojant elektrinę pūstuvę / dulkių siurbį, didžiausias prioritetas suteiktas saugai, eksploatacinėms savybėms ir patikimumui.

NAUDOJIMO PASKIRTIS

Grandininis pjūklas skirtas pjauti tik lauke.

Krūmapjovės negali naudoti vaikai ar asmenys su fiziniais, psichiniais ar jutiminiais sutrikimais.

Prietaisas skirtas nupūsti lengvas sąnašas, įskaitant lapus, žolę ir kitas sodininkystės šiukšles. Ji skirta siurbti ir lengvai mulčiuoti sąnašas, kaip aprašyta anksčiau, bei jas sukrauti į surinkimo maišą. Šiuo prietaisu negalima įtraukti ar siurbti vandens bei kitų skysčių.

▲ ĮSPĖJIMAS

Būtina laikytis saugos reikalavimų naudojantis šiuo produktu. Savo bei aplinkinių saugumui turite perskaityti ir gerai suprasti šias instrukcijas, tik tuomet naudoti krūmapjovę. Išsaugokite šią instrukciją ateičiai.

▲ ĮSPĖJIMAS

Krūmapjovės negali naudoti vaikai ar asmenys su fiziniais, psichiniais ar jutiminiais sutrikimais. Vaikus reikia tinkamai prižiūrėti, kad jie nežaistų su krūmapjove.

BENDRIEJI SAUGOS ĮSPĖJIMAI

APMOKYMAS

- Atidžiai perskaitykite instrukcijas. Gerai žinoti apie valdiklius ir tinkamą krūmapjovės naudojimą.
- Jokiu būdu neleiskite naudoti krūmapjovės vaikams, asmenims su fiziniais, jutiminiais ar psichiniais sutrikimais, ar žmonėms, neturintiems reikiamos patirties ir žinių, arba nesusipažinusiems su šiomis instrukcijomis. Vietos įstatymai gali apriboti įrengimo operatoriaus amžių.
- Turėkite omenyje, kad operatorius arba vartotojas yra atsakingas už nelaimingus atsitikimus arba kitiems asmenims ar jų

turtui sukeltą pavojų.

- Pašaliniai asmenys, vaikai ir gyvūnai turi būti 15 m atstumu nuo genėjimo vietos. Į apdirbamą plotą įėjus pašaliniam asmeniui, gaminį reikia sustabdyti.
- Gaminio jokiu būdu negalima naudoti pavargus, sergant ar apsvaigus nuo alkoholio, narkotinių medžiagų ar vaistų.

ELEKTROS SAUGA

- Maitinimo kištukai turi atitikti lizdą. Niekada nekeiskite kištuko. Su įžemintais (įžeminimo) elektriniais įrankiais niekada nenaudokite kištukų adapterių. Nepakeisti kištukai ir atitinkantys lizdai sumažina elektros smūgio pavojų.
- Saugokitės, kad jis netyčia neužsivestų. Prieš jungiant krūmapjovę į maitinimo šaltinį, būtinai patikrinti, ar jungiklis išjungtas. Nenešioti gaminio su prijungtu laidu laikydami pirštą ant jungiklio.
- Stenkitės nesiliesti prie įžemintų ar įžeminimo paviršių (vamzdžių, radiatorių, grandinių / viryklių, šaldytuvų). Įžemintus savo kūną, padidės elektros smūgio pavojus.
- Gaminio negalima naudoti ar laikyti lietuje ar drėgmėje. Į įrenginį patekęs vanduo padidina elektros smūgio pavojų.
- Elektros maitinimas turi būti paduodamas per prietaisą su srovės atjungimo (RCD), kurio išsijungimo srovės riba neturi būti didesnė, nei 30 mA.
- Kiekvieną kartą prieš naudojant įrenginį, būtina patikrinti, ar nepažeistas maitinimo laidas. Pažeistą laidą būtina nedelsiant pakeisti. Naudojant, maitinimo laidą reikia išvynioti: susukti į ritę laidai gali perkaisti.
- Jei reikia naudoti pailginimo laidą, patikrinkite, ar jis tinkamas naudoti lauko sąlygomis ir ar jo srovės parametrai tinkami įrankio maitinimui. Pailginimo laidas turi būti paženklintas „H05 RN F“ arba „H05 VV F“. Prieš kiekvieną naudojimą patikrinkite, ar pailginimo laidas nepakenktas. Naudojant, būtinai išvynioti pailginimo laido ritę, nes susukti pailginimo laidai gali perkaisti. Pažeistų pailginimo laidų nereikia taisyti:

juos reikia keisti tolygaus tipo laidais.

- Įsitikinkite, kad maitinimo laidas būtų tokioje padėtyje, kad ant jo niekas neužliptų, neužkliūtų ar kaip nors kitaip neapgadintų.
- Niekada nekelkite ir neneškite gaminio už elektros laido.
- Niekada netraukite už maitinimo laido norėdami prietaisą išjungti iš maitinimo.
- Saugokite maitinimo laidą nuo karščio, alyvos ir aštrių briaunų.
- Būtinai nukreipti laidą į krūmaprovės galinę dalį.
- Elektros įtampa turi atitikti gaminio parametrus. Pavadinimo plokštelėje ant produkto nurodoma prietaiso įtampa. Niekada nejunkite produkto prie AC įtampos šaltinio, kurio skirtinga įtampa.
- Patikrinkite, ar jungiklis yra išjungimo (Off) padėtyje prieš išjungdami prietaisą iš maitinimo lizdo.

PARUOŠIMAS

- Kai kuriuose regionuose šio gaminio naudojimą tam tikriems darbams apriboja galiojantys įstatymai. Kreipkitės patarimo į vietos įstaigą.
- Naudodami krūmaprovę, būtinai dėvėkite tinkamą avalynę ir mūvėkite kelnes ilgomis klešnėmis. Nedirbkite su šiuo prietaisu neapsiaavę arba avėdami atvirus sandalus. Stengtis nedėvėti dukšlių drabužių, arba rūbų su kabančiais raišteliais ar kaklaraiščiu: juos gali įtraukti judamosios dalys.
- Nedėvėkite dukšlių drabužių ar papuošalų, kurie gali būti įtraukti į oro įleidimo angą.
- Ilgus plaukus reikia susėti virš pečių lygio, kad neįsipainiotų į judančias dalis.
- Naudodami šią krūmaprovę, visada dėvėkite klausos apsaugą. Šis prietaisas veikia ypatingai triukšmingai, todėl griežtai nesilaikant atasrgumo priemonių (t.y. riboti buvimą sveikatai žalingoje aplinkoje, sumažinti triukšmą ir dėvėti ausų apsaugos priemonės), galima nepagydomai pakenkti klausai.
- Naudodami šią krūmaprovę, visada

dėvėkite pilną akių apsaugą. Gamintojas primygtinai rekomenduoja dėvėti viso veido kaukę ar prigludusius apsauginius akinius. Įprasti ar saulės akiniai nėra tinkama apsaugos priemonė. Galingas oro srautas bet kada gali išstūsti objektus dideliu greičiu ir jie gali atšokę rikošetu sužeisti operatorių.

- Prieš kiekvieną naudojimą patikrinkite, ar tinkamai veikia visi valdikliai ir saugos įtaisai. Nenaudokite krūmaprovės, jeigu išjungimo jungikliu nepavyksta sustabdyti variklio.
- Prieš naudojant, būtina visada apžiūrėti gaminį, patikrinant, ar smulkinimo įtaisai, jų varžtai ir kiti tvirtinimo elementai (jei taikomi) gerai suveržti, korpusas nepažeistas ir apsauginiai įtaisai bei rankenėlės tinkamai įmontuotos.
- Pakenktas ar neįskaitomas etiketes pateikite įgaliojajam techninio aptarnavimo centrui, kad pakeistų naujomis.
- Jokiu būdu nenaudokite krūmaprovės, jeigu apsauginiai įtaisai ar skydeliai pakenkti, arba be apsauginių įtaisų, pavyzdžiui, jei nėra sąnašų surinkimo įtaiso.
- Stebėkite, kad oro vėsinimo įsiurbimo angos neužsikistų atliekomis.
- Prieš nupūsdami oru / siurbdami, iš grėblių ir šluotų išvalykite sąnašas.
- Prieš pradėdami darbą sutvarkykite darbo vietą. Pašalinkite visus daiktus, tokius kaip akmenys, stiklo duženos, vinys, vielos ar virvės, kurie gali būti toli nupūsti greito oro srauto.
- Gaminį reikia naudoti pastačius ant tvirto, lygaus paviršiaus.

▲ ĮSPĖJIMAS

Prieš naudodami krūmaprovę lapų siurblio režimu, privalote kartu sumontuoti viršutinį ir apatinį siurbimo vamzdį, kaip pavaizduota 165 psl. Tai tik vienkartinis veiksmas. Jokiu būdu nenaudokite siurbimo įtaiso, jeigu sumontuotas tik viršutinis siurbimo vamzdis. Nesilaikant šio įspėjimo, gerokai padidėja traumų pavojus.

EKSPLOATAVIMAS

- Jei naudojimosi metu laidas pažeidžiamas, iš karto ištraukite jį iš maitinimo lizdo. **Nelieskite laido, jei jis neatjungtas nuo maitinimo šaltinio.** Jei laidas pažeistas ar nusidėvėjęs, prietaiso nenaudokite.
- Naudokite prietaisą tik priimtinomis valandomis - ne anksti ryte ar vėlai vakare, kai jo skleidžiamas triukšmas gali drumsti žmonių ramybę.
- Jokiu būdu nenaudokite prietaiso sprogioje aplinkoje.
- Stengtis nenaudoti krūmapjovės blogomis oro sąlygomis, ypač, kai yra žaibavimo pavojus.
- Dirbkite gerai apšviestoje aplinkoje. Kad pastebėtų galimus pavojus, prietaisu dirbančiam asmeniui turi būti sudarytos gero matomumo sąlygos.
- Klausos apsaugos priemonių naudojimas sumažina įspėjamųjų garsų (ryksmų arba pavojaus signalų) girdėjimo galimybę. Operatorius turi atkreipti ypatingą dėmesį, kas vyksta darbo vietoje.
- Nesiblaškykite ir būkite susikaupę, kai genite. Būkite budrūs ir rūpestingai apgalvokite savo veiksmus bei jų pasekmes.
- Netoliese naudojant panašius prietaisus padidėja pavojus pakenkti klausą ir galimybė kitiems asmenims patekti į darbo zoną.
- Visada tvirtai stovėkite ir išlaikykite pusiausvyrą. Nepersitempkite. Persitempę galite prarasti pusiausvyrą.
- Nuolat atkreipkite dėmesį į stabilią stovėseną nuolaidžiose vietose. Visada eikite, niekada nebėkite.
- Stovėkite toliau nuo visų judančių įrankio detalių. Besisukantys diskinių rato peiliukai gali sukelti sunkius sužeidimus. Sustabdykite krūmapjovę ir patikrinkite, ar sparnuotės (siurbliaračio) geležtės sustoję: tik tuomet atidarykite ventiliatoriaus dangtį, montuokite ar keiskite vamzdžius, atidarykite ar išimkite šoną maišą.
- Niekada nenaudokite įrankio be pritvirtintų

tinkamų detalių. Naudojant įrankį kaip lapų nupūtimo įtaisą, būtinai sumontuokite pūtimo vamzdžius ir uždarykite ventiliatoriaus dangtį. Kai įrankį naudojate siurblio režimu, visada pritvirtinkite siurblio vamzdžius ir maišą.

- Niekais nemonifikuokite prietaiso ir nemontuokite dalių bei priedų, kurias naudoti nepataria gamintojas.

⚠ ĮSPĖJIMAS

Numetus krūmapjovę, jai stipriai susitrenkus ar pradėjus neįprastai vibruoti, ją reikia nedelsiant sustabdyti ir patikrinti, ar nepakenkta arba nustatyti vibravimo priežastį. Pakenktos dalys turi būti tinkamai sutaisytos arba pakeistos įgaliotame techninio aptarnavimo centre.

- Kad pavojus prisiliesti prie sukamųjų dalių būtų kuo mažesnis, būtinai sustabdykite krūmapjovę, atjunkite iš maitinimo šaltinio ir patikrinkite, ar visos judamosios dalys visiškai sustoję:
 - prieš valant ar išimant susidariusį kamštį
 - kai paliekate krūmapjovę be priežiūros
 - prieš montuojant ar nuimant įtaisus
 - prieš tikrinant, prižiūrint ar naudojant krūmapjovę
 - gaminiui atsitrenkus į pašalinį daiktą, reikia apžiūrėti, ar gaminys neapgadintas
 - Prietaisui pradėjus neįprastai vibruoti (kuo skubiau patikrinkite).

⚠ ĮSPĖJIMAS

Prie nupūtimo oru / siurbimo prietaiso gali būti pridėta papildoma atrama. Rūpestingai sureguliuokite saugos diržus, kad jie patogiai padėtų atremti krūmapjovės svorį.

Nustatykite greito atleidimo mechanizmą ir pasipraktikuokite, kaip juo naudotis prieš pradėdami genėti. Teisingai naudojant šį įtaisą, galima apsisaugoti nuo sužeidimų įvykius avarijai. Jokiu būdu nemūvėkite palaidų drabužių virš papildomos atramos ar kitaip nekliudykite spartaus atpalaidavimo mechanizmo.

NUPŪTIMO ORU PRIETAISO SAUGOS ĮSPĖJIMAI

- Esant dulkėms, dėvėkite kaukę nuo dulkių, kad dulkių įkvėpus sumažintumėte pavojų sveikatai.
- Pūstuvo antgalio nenukreipkite į žmones ar gyvūnus.
- Jokiu būdu nedėkite daiktų į nupūtimo oru prietaiso vamzdžius.
- Šio prietaiso nenaudokite prie atvirų langų.
- Kai valote dulkėtas vietas, šiek tiek sudrėkinkite valomus paviršius.
- Kad oro srautą būtų galima pūsti arti žemės, iki galo ištempkite orpūtės antgalio kotą.
- Nenustatykite orpūtės ant palaidų sąnašų arba netoliese jų. Prietaisas gali įtraukti sąnašas į įsiurbimo angą ir dėl to sugesti.

SIURBIMO PRIETAISO SAUGOS ĮSPĖJIMAI

⚠ ĮSPĖJIMAS

Jokiu būdu nenaudokite siurbimo įtaiso, jeigu sumontuotas tik viršutinis siurbimo vamzdis. Nesilaikant šio įspėjimo, gerokai padidėja traumų pavojus.

- Nenaudokite siurbimo prietaiso, jeigu nesumontuotas sąnašų maišelis: ore pasklidusios sąnašos gali rimtai sužaloti. Prieš pradėdami darbą, patikrinkite, ar siurblio nešvarumų maišelis gerai uždarytas.
- Stumkite siurbį iš vienos pusės į kitą pagal sąnašų kraštą. Kad įtaisas neužsikimštų, nedėkite siurbimo vamzdžio tiesiai ant sąnašų krūvos.
- Variklį laikykite aukščiau už siurbimo vamzdžio įleidimo galą.
- Dirbdami ant kalvos, siurblio vamzdį visada laikykite nukreipę žemyn kalvos atžvilgiu.
- Kad nesusižeistų prietaisu dirbantis asmuo ir nepakenktų paties prietaiso, negalima siurbti akmenų, stiklo duženių, butelių ar pan. daiktų.
- Venkite situacijų, kad siurblio maišas

nesiliestų prie ugnies. Įrankio nenaudokite šalia atviros liepsnos. Nesiurbkite šiltų pelenų nuo židinio, lauko griliaus (angl. barbecue), sušluotos krūvos ir t. t. Nesiurbkite numestų cigarų ar cigarečių, išskyrus tuos atvejus, kai nuorūkos yra visiškai užgesintos.

GABENIMAS IR LAIKYMAS

- Prieš padėdami į sandėlį ar gabendami, sustabdykite krūmaplovę, atjunkite iš maitinimo tinklo ir palikite atvėsti.
- Nuo įrankio nuvalykite visas pašalines medžiagas. Laikykite vėsioje, sausoje, gerai vėdinamoje ir vaikams nepasiekiamoje vietoje. Nelaikykite jo arti nuo tokių koroziją sukeliančių reagentų kaip cheminės sodininkystės medžiagos arba druskos, naudojamos prieš apledėjimą. Nelaikykite lauke.
- Paruošiant gabenimui, gaminį reikia pritvirtinti, kad nejudėtų ir nenukrsitų, nes priešingu atveju jis gali sužaloti žmones arba sugesti pats.

PRIEŽIŪRA

⚠ ĮSPĖJIMAS

Keitimui naudokite tik originalias gamintojo atsargines dalis. Neoriginalios dalys gali būti sužeidimų ir įrenginio blogo veikimo priežastis, ir dėl to gali būti anuluotas garantinis pažymėjimas.

▲ ĮSPĖJIMAS

Aptarnavimą atlikti būtina itin atidžiai, todėl rekomenduojame, kad techninę apžiūrą vykdytų kvalifikuotas specialistas. Techninei apžiūrai atlikti patariame grąžinti prietaisą į artimiausią įgaliotą paslaugų teikimo tarnybą. Sugedusias detales keiskite tik originaliomis detalėmis.

- Prietaisą galite reguliuoti ir remontuoti, kaip aprašyta šiame naudotojo vadove. Dėl kitų remonto darbų kreipkitės į įgaliotą techninio aptarnavimo centrą.
- Po kiekvieno naudojimo, išvalykite įrenginį sausu švelnaus audinio gabalėliu.
- Dažnai tikrinkite visas varžles, varžtus ir sraigtus, ar jie tvirtai laikosi ir ar gaminys yra saugios darbo būklės stovyje. Bet kurią apgadintą detalę leidžiama remontuoti arba keisti tik autorizuotame aptarnavimo centre.
- Jokių būdu negalima bandyti panaikinti apsauginio įtaiso blokavimo funkcijos.

ŠALUTINIAI PAVOJAI

Net naudojant gaminį pagal nurodymus, neįmanoma visiškai atmesti visų pavojaus veiksnių. Gali kilti toliau nurodyti pavojai, todėl operatorius turi būti itin dėmesingas, kad išvengtų šių dalykų:

- Vibracijos sukeltas sužalojimas. Kiekvieną darbą atlikite jam skirtu įrankiu. Naudokite atitinkamas rankenas ir ribokite darbo bei buvimo sveikatai žalingoje aplinkoje laiką.
- Ilgai būnant triukšme, galima pakenkti klausai. Dėvėkite akių apsaugą ir ribokite poveikio trukmę.
- Jeigu sąnašų maišelis neįdėtas arba pakenktas, orpūtės vamzdzio oro srovės pakelti daiktai gali sužeisti. Visada dėvėkite tinkamą akių apsaugą.

RIZIKOS MAŽINIMAS

Turime pranešimų, kad vibracija nuo ranka laikomų įrankių kai kuriems asmenims gali turėti neigiamos įtakos vystantis Raynaud sindromui. Šios ligos požymiai yra pirštų

dilgčiojimas, nutirpimas ir pabalimas, paprastai pasireiškiantis nuo šalčio. Šie simptomai vystosi dėl paveldimų veiksnių, nesisaugant nuo šalčio ir drėgmės, dėl mitybos, rūkymo ir darbo praktikos. Operatorius gali imtis šių priemonių, kurios gali sumažinti vibracijos poveikį:

- Apsirenkite kuo šilčiau šaltu oru. Naudojant gaminį, reikia mūvėti pirštines, kad plaštakos ir riešai neatšaltų. Turime pranešimų, kad Raynaud sindromas labiausiai vystosi nuo šalto oro sąlygų.
- po darbo kiekvieną kartą pasportuokite, kad pagerėtų kraujo apytaka;
- dažnai darykite darbo pertraukas. Apribokite darbo laikotarpį per dieną.

Jei jums pasireiškia kokie nors šios būklės simptomai, nedelsdami nutraukite darbą ir kreipkitės į gydytoją.

▲ ĮSPĖJIMAS

Ilgiau naudojant, įrankis kelia sužeidimų pavojų ir apsunkina darbą. Ilgiau naudojant įrankius, reikia reguliariai daryti pertraukas.

PAŽINKITE SAVO GRANDININĮ PJŪKLĄ

Zr. 164 psl.

1. Ventilatoriaus dangtis
2. Viršutinis siurbimo vamzdis
3. Apatinis siurbimo vamzdis
4. Kreipiamieji ratukai
5. Didelio greičio antgalis
6. Apatinis pūtimo vamzdis
7. Viršutinis pūtimo vamzdis
8. Siurbimo įtaiso maišas
9. Blogas adapteris
10. Pūtimo / siurblio režimo parinkimo svirtis
11. Priekinė rankena
12. Greičio parinkimo įtaisas
13. Galinė rankena
14. Įjungimo/išjungimo spragtukas

SIMBOLIAI ANT ĮRENGINIO



Prieš naudodami įrenginį, atidžiai perskaitykite instrukcijas, laikykitės įspėjimų ir saugos nurodymų.



Saugokitės išmetamų arba skrendančių objektų. Visi pašaliniai asmenys, ypač vaikai ir naminiai gyvūnai, turi būti ne arčiau kaip 15 m nuo darbo vietos.



Sukamieji ventiliatoriai. Kai krūmapjovė veikia, laikykite rankas ir kojas atokiai nuo angų.



Wear ear protection



Dėvėkite apsauginius akinius



Nenaudoti lyjant ar esant drėgnoms sąlygoms.



Išjunkite: prieš pradėdami priežiūros ar valymo darbus, ištraukite kištuką iš maitinimo lizdo.



Prieš atlikdami priežiūros darbus arba jei laidas pažeistas ar įpjautas, nedelsiant ištraukite kištuką iš maitinimo šaltinio.



Šis prietaisas atitinka visas reglamentuotas normas ES šalies, kur jis buvo nupirktas.



II klasės įrankis, dviguba izoliacija



Elektrinių produktų atliekos neturi būti metamos kartu su namų ūkio atliekomis. Prašome perdirbkite jas ten, kur yra tokios perdirbimo bazės. Dėl perdirbimo patarimo kreipkitės į savo vietinę savivaldybę ar pardavėją.



Garantuojama garso galia yra 108 dB



Pūtiko režimas



Siurbimo režimas



Ukrainos atitikties ženklas



„EurAsian“ atitikties ženklas

SIMBOLIAI VADOVE



Pajunkite į maitinimo lizdą



Išjunkite iš maitinimo lizdo



Pastaba



Įspėjimas!

Šie signaliniai žodžiai yra skirti nurodyti su prietaiso naudojimu susijusio pavojaus lygį.

⚠ PAVOJUS

Reiškia ypač pavojingą padėtį, kurios neišvengus bus patirti sunkūs ar net mirtini sužeidimai.

⚠ ĮSPĖJIMAS

Reiškia potencialiai pavojingą situaciją, kurios neišvengus galimi sunkūs ar net mirtini sužeidimai.

⚠ ATSARGIAI

Reiškia potencialiai pavojingą situaciją, kurios neišvengus galimi lengvi ar vidutinio sunkumo sužeidimai.

ATSARGIAI

Be įspėjamųjų simbolių
Reiškia nuosavybės žalos tikimybę.

Elektrilise puhuri/konstruktsiooni peaesmärgiks on toote ohutus, tootlikkus ja töökindlus.

OTSTARBEKOHANE KASUTAMINE

See toode on ette nähtud kasutamiseks vaid väljaspool ruume.

Seade ei ole ette nähtud kasutamiseks laste või nende isikute poolt, kellel on piiratud füüsilised, vaimsed või sensoorsed võimed.

Seade on ette nähtud kasutamiseks vaid kerge prahi ärapuhumiseks, näiteks lehed, rohi ja muu aiandusprügi. Allpool mainitud prahi imemiseks, multšimiseks ja kogumiseks prügikotti. See seade ei ole ette nähtud vee ja muude vedelike väljaimamiseks ega äraimamiseks.

⚠ HOIATUS

Seadme kasutamisel tuleb järgida ohutusreegleid. Teie ja kõrvalseisjatele ohutuse tagamiseks lugege käesolevad juhised enne seadme kasutamist läbi. Hoidke juhend edaspidiseks kasutamiseks alles.

⚠ HOIATUS

Seade ei ole ette nähtud kasutamiseks laste või nende isikute poolt, kellel on piiratud füüsilised, vaimsed või sensoorsed võimed. Lastele tuleb piisavalt valvata, et nad seadmega ei mängiks.

OHUTUSE ÜLDEESKIRJAD

VÄLJAÕPE

- Lugege juhised hoolikalt läbi. Õppige tundma kõiki seadme juhtseadiseid ja kasutusnõudeid.
- Ärge lubage lapsi ega piiratud füüsiliste, sensoorsete ja vaimsete võimetega inimesi ega kogemuste ja teadmisteta ning käesolevate juhistega mittetutvunud inimesi seadet kasutada. Kohalikud regulatsioonid võivad seada kasutaja vanusele piiranguid.
- Pidage meeles, et operaator või kasutaja on vastutav õnnetuste või ohuolukordade

eest, mis võivad puudutada teisi inimesi või nende vara.

- Hoidke kõik kõrvalseisjad, lapsed ja lemmikloomad tööalalt vähemalt 15 meetri kaugusele. Kui keegi tööpiirkonda siseneb, siis seisake kultivaator.
- Ärge kasutage kultivaatorit väsinuna või haigena ega siis, kui olete uimastite, alkoholi või ravimite mõju all.

ELEKTRIOHUTUS

- Toitepistikud peavad pistikupessa sobima. Ärge püüdke pistiku konstruktsiooni mingil moel muuta. Ärge ühendage maanduskontaktiga (kordusmaandusega) elektritööriistu elektrivõrku läbi vahepistikmike. Pistiku ja pistikupesa konstruktsiooni muutmise korral tekib elektrilöögi oht.
- Vältige soovimatut käivitumist. Enne toitejuhtme ühendamist veenduge alati, et toitelüliti on väljalülitatud asendis. Ärge kandke toitega ühendatud toodet sõrme lülitil hoides.
- Hoiduge kehalisest kontaktist maandatud pindadega, näiteks torud, radiaatorid, elektripliidid ja külmikud. Kehaosade maandamisel suureneb elektrilöögi saamise oht.
- Ärge jätke kultivaatorit vihma kätte või märga kohta. Vee sattumisel seadme sisemusse suureneb elektrilöögi saamise oht.
- Elektriline tööriist tuleb ühendada vooluvõrku läbi rikkevoolu-kaitselülitit (RCD), mille rakendumisvoolu tugevus on maksimaalselt 30 mA.
- Enne iga kasutuskorda kontrollige toitejuhe üle vigastuste suhtes. Kui see on vigastatud, asendage viivitamatult. Kerige toitejuhe alati lahti, sest kokku keeratud juhe võib üle kuumeneda.
- Kui teil on vaja kasutada pikendusjuhet, veenduge et see on välistingimuste jaoks sobiv ja teie tööriista jaoks piisava ristlõikega. Pikenduskaablitel peab olema markeering "H05 RN F" või "H05 VV F". Kontrollige pikendusjuhet enne iga

kasutamist vigastuste suhtes. Kerige pikendusjuhe alati lahti, sest kokku keeratud juhe võib üle kuumeneda. Ärge hakake vigastatud pikendusjuhet parandama, vaid asendage teise sobivat tüüpi juhtmega.

- Veenduge, et toitejuhe asetseb nii, et sellele ei saa astuda, komistada või seda mingil muul viisil vigastada või pingestada.
- Ärge kunagi tõstke või kandke toodet juhtmest hoides.
- Ärge kunagi ühendage toitejuhet lahti sellest tõmmates.
- Hoidke toitejuhe eemal kuumusest, õlist ja teravatest servadest.
- Juhtige kaabel endast tahapoole, seadmest eemale.
- Veenduge, et võrgupinge vastab seadmepel kasutatavale pingele. Toote tehasesildil on näidatud kasutatav pinge voltides. Ärge mingil juhul ühendage seadet AC-võrku, millel on sellest erinev pinge.
- Enne toitejuhtme lahtiühendamist veenduge, et lüliti on asendis "OFF".

ETTEVALMISTUSTOIMINGUD

- Mõnedes piirkondades on seadused, mis piiravad toote kasutamist teatud tööde tegemiseks. Lisateavet saate kohalikust omavalitsusest.
- Kandke seadmega töötamisel kinniseid jalanõusid ja pikki pükse. Ärge kasutage seadet paljajalu ega kandke töötamise ajal lahtisi sandaale. Vältige selliste riiete kandmist, mis on lödvad või millel on paelad või sidemed; need võivad haakuda liikuvate osade külge.
- Ärge kandke lõtvu riietusesemed või ehteid, mida võidakse tõmmata õhu sissevõtuavasse.
- Kinnitage pikad juuksed õlgadest kõrgemale, et vältida nende takerdumist liikuvate osade vahele.
- Kandke selle seadme kasutamisel alati kuulmiskaitseid ja kaitseprille. See seade on väga mürrarikas ja kui täpselt ei järgita ettenähtud piiranguid müraga kokkupuute

ja müravähenduse osas või ei kasutata kuulmiskaitsevahendeid, võib põhjustada püsiva kuulmiskahjustuse.

- Kandke selle seadme kasutamise ajal alati silmakaitsevahendeid. Tootja soovib kasutada igal juhul näomaski või külgkaitsega silmamaski. Tavalised kaitseprillid või päikesepillid ei ole nõuetekohased kaitsevahendid. Objektid võivad võimsa õhujoo toimel suurel kiirusel igal hetkel välja lennata ja võivad kõvadelt pindadelt põrkuda operaatori suunas.
- Enne seadme kasutamise alustamist veenduge, et kõik juht- ja ohutusseadised töötavad nõuetekohaselt. Kui mootor nupule OFF vajutamisel välja ei lülitu, ärge seadet kasutage.
- Iga kord enne seadme kasutamist vaadake üle, et lõikenoad, lõikenugade poldid ja muud kinnitid on nõuetekohaselt pingutatud (kui on kasutatavad), korpus on vigastamata ning kaitsekatted ja käepidemed on kindlalt oma kohtadel.
- Pöörduge vigastatud ja loetamatute kleebiste asendamiseks volitatud hoolduskeskuse poole.
- Ärge kasutage seadet, mille kaitseid või katted on vigastatud või ilma kaitseseadisteta, näiteks ilma prahikogurita.
- Hoidke jahutusõhu pilud prahist puhtad.
- Enne puhumise või imemise alustamist kasutage reha ja harja.
- Enne töö alustamist tuleb tööpiirkond alati korrastada. Eemaldage tööpiirkonnast kõik esemed, nagu kivid, klaasikillud, naelad, juhtmed või nõõrid, mis võivad suure õhuvoolu tõttu kaugele välja paiskuda.
- Kasutage seadet ainult tugeval ja tasasel pinnal.

⚠ HOIATUS

Enne seadme kasutamist imemisrežiimis pange kokku ülemine ja alumine imitoru nagu näidatud joonisel 165. See on ühekordne toiming. Ärge kunagi kasutage imemist kui on paigaldatud vaid ülemine imitoru. Kehavigastuse oht suureneb märgatavalt kui seda hoiatust eiratakse.

KASUTAMINE

- Kui juhe saab töötamise ajal vigastada, siis ühendage see kohe lahti. **Ärge puudutage toitejuhet enne, kui see on vooluvõrgust lahti ühendatud.** Kui juhe on vigastada saanud, siis ärge seadet kasutage.
- Töötage masinaga ainult mõistlikul kellaajal, mitte aga varahommikul, hilisõhtul või öösel, kui see võib teisi inimesi häirida.
- Ärge kunagi kasutage seadet plahvatusohtlikus keskkonnas.
- Vältige seadme kasutamist halva ilmaga, eriti siis kui on äikese oht.
- Ärge kasutage seadet halva valgustatuse korral. Töötajal peab tööpiirkonnale olema selge väljavaade, et tuvastada võimalikud ohud.
- Kuulmiskaitsevahendid takistavad häälihoiatuste (hüüded ja helisignaalid) kuulmist. Operaator peab seda arvesse võtma ja pöörama täiendavat tähelepanu sellele, mis toimub tema töökohal.
- Ärge laske oma tähelepanu töötamisel kõrvale juhtida ja keskenduge ainult oma tegevusele. Mõelge toimingud hoolikalt läbi ja kaalutlege oma toimingute mõjusid.
- Mitme sarnase seadme töötamisel samas piirkonnas suurendab kuulmiskahjustuse riski töötajal ja inimestel, kes tööpiirkonda sisenevad.
- Hoidke kindlat jalgade asendit ja tasakaalu. Ärge kummardage. Kummardamine võib põhjustada tasakaalu kadumist.
- Kallakul töötamisel tagage endale kindel jalgealune. Töötamisel kõndige, ärge kunagi jookske.
- Hoidke kõik kehaosad liikuvatest osadest

eemal. Pöörleva tiiviku labad võivad põhjustada raske kehavigastuse. Enne imiava katte avamist, torude paigaldamist/vahetamist või prahikoti eemaldamist seisake seade ja veenduge, et tiiviku labad on seiskunud.

- Ärge mingil juhul püüdke käivitada seadet ilma, et töötarvikud on nõuetekohaselt paigaldatud. Puhurina kasutamisel paigaldage puhumistorud ja sulgege imiava kaas. Kui seade töötab imemisrežiimis, imuri kasutamisel paigaldage alati imitorud ja kogumiskott.
- Ärge püüdke seadme konstruktsiooni mingil viisil muuta ega kasutage varuosi või tarvikud, mis pole tootja poolt soovitatud.

⚠ HOIATUS

Kui seade on maha kukkunud, saanud tugeva löögi või hakkab ebanormaalselt vibreerima, seisake seade viivitamatult ja kontrollige see üle vigastuste suhtes. Kõik vigastused tuleb lasta volitatud hooldustöökojas parandada või asendada.

- Pöörlevate osadega kokkupuutumisest tingitud kehavigastuste vähendamiseks seisake seade, ühendage toide lahti ja veenduge liikuvate osade seiskumises.
 - enne puhastamist ja ummistuse kõrvaldamist
 - seadme jätmise järelevalveta
 - enne tarvikute paigaldamist ja eemaldamist
 - enne seadme kontrollimist, hooldamist ja sellega töötamist.
 - et seade vigastuste suhtes üle vaadata pärast mingilt objektilt saadud lööki
 - kui muruniiduk hakkab ebanormaalselt vibreerima (kontrollige viivitamatult).

EN
FR
DE
ES
IT
NL
PT
DA
SV
FI
NO
RU
CS
HU
RO
LV
LT
ET
HR
SL
SK
BG
UK
TR

⚠ HOIATUS

Puhuri/imuri tarnekomplektis võivad olla rakmed. Reguleerige rakmed enda jaoks hoolikalt välja, nii et need hoiavad seadet üleval.

Tehke kindlaks, kuidas kasutada kiirvabastusmehhanismi ja proovige seda enne kasutamise alustamist. Selle õige kasutamine võimaldab ära hoida hädaolukorras tekkida võiva raske kehavigastuse. Ärge mingil juhul kandke rakmete peal riietusesemeid, muidu piirate juurdepääsu kiirvabastusmehhanismile.

PUHURI OHUTUSJUHISED

- Tolmustes tingimustes töötamisel kandke respiraatorit, et vähendada tolmu sissehingamisest põhjustatud tervisekahjustusi.
- Ärge mingil juhul suunake puhuri otsakut inimeste või lemmikloomade suunas.
- Ärge pange mingeid esemeid puhuri toru sisse.
- Ärge kasutage seadet avatud akende läheduses.
- Tolmuses kohas niisutage pindasid.
- Pikendage puhuri toru sellise pikkuseni, mille puhul saate õhku puhuda maapinna lähedal.
- Ärge suunake puhurit vahetult lahtise prahi peale või selle lähedusse. Praht võidakse imeda ventilaatori sissetõmbeavadesse ja see võib põhjustada seadme vigastumise.

IMURI OHUTUSJUHISED

⚠ HOIATUS

Ärge kunagi kasutage imemist kui on paigaldatud vaid ülemine imitoru. Kehavigastuse oht suureneb märgatavalt kui seda hoiatust eiratakse.

- Ärge kasutage seadet imemiseks kui kogumiskott on paigaldamata, sest lendav prügi võib põhjustada kehavigastusi. Enne seadme käivitamist kontrollige, et

kogumiskoti tõmbelukk on täielikult kinni tõmmatud.

- Liigutage imurit küljelt-küljele piki prahihunniku välisserva. Ummistumise vältimiseks ärge pange imitoru vahetult prahihunniku sisse.
- Hoidke mootorit kõrgemal kui imitoru sisendots.
- Kallakul töötamisel hoidke imitoru alati languse suunas.
- Kasutajale kehavigastuste ja seadme vigastuste vältimiseks ärge püüdke sisse imeda kive, klaasikilde, pudeleid ega teisi sarnaseid esemeid.
- Vältige olukordi, kus kogumiskott võib süttida. Ärge kasutage seadet lahtise leegi läheduses. Ärge kasutage seadet tuha eemaldamiseks kaminast, grillahjust, lõkkeasemelt jne. Ärge imege mahavatud sigarette enne kui tuhk on täielikult maha jahtunud.

TRANSPORTIMINE JA HOIUSTAMINE

- Enne hoiule panekut või teisaldamist seisake seade, ühendage lahti toide ja laske jahtuda.
- Puhastage seade kõikidest võõrkehadest. Hoidke kuivas ja hästi ventileeritud kohas, mis on lastele juurdepääsmatu. Hoidke kettsaagi eemal söövitavatest ainetest nagu aiakemikaalid ja jäätõrjevahendid. Ärge hoiustage õues.
- Vedamise ajal tõkestage trimmer liikuma hakkamise ja alla kukkumise vastu, et vältida kehavigastusi ja osade kahjustamist.

HOOLDUS

⚠ HOIATUS

Kasutage ainult tootja originaalvaruosi, tarvikuid ja tööorganeid. Selle nõude eiramine võib põhjustada, kehavigastuse, tootluse languse ja teile antud garantii tühistamise.

⚠ HOIATUS

Hooldamine nõuab ülimalt korrashoidu ja teadmisi ning tuleks teostada ainult kvalifitseeritud hooldustehnikute poolt. Hoolduseks soovitakse me viia toote remontimiseks lähimasse või lit atud teeninduskeskusesse. Kui hooldate, kasutage ainult identseid varuosi.

- Lubatud on teha ainult selles kasutusjuhendis kirjeldatud reguleerimis- ja parandustoiminguid. Muude remonditööde tegemiseks võtke ühendust volitatud hooldajaga.
- Pühkige trimmer pärast iga kasutuskorda pehme kuiva lapiga puhtaks.
- Kontrollige kõiki mutreid, polte ja kruvisid sagedaste intervallidega õige pinguloleku suhtes, et vevnduda toote ohutus töökorras olemises. Vigastatud osad tuleb lasta pädeval hooldajal parandada või asendada.
- Ärge mingil juhul püüdke alistada kaitseblokeerimist.

JÄÄKRISKID

Isegi siis, kui kultivaatorit kasutatakse kirjeldatud viisil, ei ole võimalik kõrvaldada kõiki jääkriskide mõjureid. Töötamise ajal võivad tekkida järgmised ohud, millele operaator peab pöörama erilist tähelepanu.

- Vibratsioonist põhjustatud kehavigastus. Kasutage töötamiseks õiget seadet. Kasutage ettenähtud käepidemeid, piirake tööaega ja kokkupuudet vibratsiooniga.
- Tugev müra võib põhjustada kuulmiskahjustuse. Kandke kuulmiskaitsevahendeid ja piirake müraga kokkupuudet.
- Kui kogumiskott ei ole paigaldatud või on katki, võivad väljapaiskuvad esemed põhjustada kehavigastusi. Kandke alati nõuetekohaseid silmakaitsevahendeid.

RISKI ALANDAMINE

Teadaolevalt võib käsitööriistade kasutamine põhjustada mõnedel inimestel seisundit,

mida nimetatakse Raynaud' sündroomiks. Sümptomidena võib ilmned sõrmede tuimus ja valkjaks muutumine, mis tavaliselt ilmneb külmas töötamisel. Nende sümptomite puhul tuleb hoiduda külmast ja niiskusest, dieedist ning suitsetamisest ja kasutada õigeid töövõtteid. Vibratsiooni mõju vähendamiseks tuleb rakendada järgmisi abinõusid.

- Külma ilmaga hoidke oma keha soe. Kandke kindaid, et hoida oma käed ja randmed soojad. Uuringud näitavad, et Raynaud's Syndrome ilmneb põhiliselt külma ilmaga.
- Pärast külmas töötamist tehke harjutusi, et verevarustust kiirendada.
- Tehke regulaarselt töövaheaegsid. Piirake tööperioodi pikkust.

Kui ilmnevad haigustunnused, lõpetage kohe töö ja pöörduge arsti poole.

⚠ HOIATUS

Seadme pikaajalisel kasutamisel võite saada kehavigastusi ja varasemad vigastused võivad süveneda. Seadme kasutamisel pika aja jooksul tuleb teha korralisi vaheaegsid.

ÕPPIGE OMA TOODET TUNDMA

Vt leht 164.

1. Ventilaatori kate
2. Ülemine imitoru
3. Alumine imitoru
4. Juhtrattad
5. Öhu kiirendusdüüs
6. Alumine puhuritoru
7. Ülemine puhuritoru
8. Kogumiskott
9. Koti adapter
10. Puhumis-/imemisrežiimi valimishoob
11. Eesmine käepide
12. Kiiruse valiku lüliti
13. Tagumine käepide
14. „Sisse/Välja“-päästik

MASINAL OLEVAD SÜMBOLID



Enne seadmega töö alustamist lugege kõik juhised hoolikalt läbi ja pidage kinni hoiatustest ja ohutusega seotud juhistest.



Hoiduge ülespaisatud ja lendavate esemete eest. Hoidke kõik kõrvalseisjad, eriti lapsed ja lemmikloomad tööalalt vähemalt 15 meetri kaugusele.



Pöörlevad ventilaatorid. Kui seade töötab, siis hoidke oma käed ja jalad avast eemale.



Kandke kuulmiskaitsevahendeid



Kandke silmakaitsevahendeid



Ärge jätke vihma kätte või kasutage niiskes kohas.



Lülitage välja - enne seadme puhastamist või hooldamist võtke pistik pistikupesast välja.



Kui seadme toitejuhe on vigastatud või sellel on sisselõige, siis ühendage pistik vooluvõrgust enne parandamist kohe lahti.



Vastab kõigile eeskirjadele EL-i liikmesriigis, kus toode on ostetud.



Tööriista klass II, topeltisolatsiooniga



Mittekasutatavaid elektritooteid ei tohi visata olmejäätmete hulka. Vaid tuleb viia vastavasse kogumispunkti. Vajadusel küsige sellekohast nõu oma edasimüüjalt või vastavalt kohaliku omavalitsuse institutsioonilt.



Garanteeritud helivõimsuse tase on 108 dB



Puhumisrežiim



Imemisrežiim



Ukraina vastavusmäärgis



Euraasia vastavusmärk

KASUTUSJUHENDI SÜMBOLID



Ühendage pistikupesassa



Võtke pistikupesast välja



Märkus



Hoiatus

Järgnevad märguandesõnad ja tähendused on mõeldud selle toote kasutamise seotud riskitasemete kirjeldamiseks.

⚠ OHT.

Viitab kohe tekkivale ohtlikule situatsioonile, mis, kui ei väldita, lõpeb surma või tõsise vigastusega.

⚠ HOIATUS

Viitab võimalikule ohtlikule situatsioonile, mis, kui ei väldita, võib lõppeda surma või tõsise vigastusega.

⚠ ETTEVAATUST

Viitab võimalikule ohtlikule situatsioonile, mis, kui ei väldita, võib lõppeda väiksemate või keskmiste vigastusega.

ETTEVAATUST

Ilma hoiatussümbolita
Osutab olukorrale, mis võib põhjustada varakahju.

U razvoju ove električne pihalice/usašaivača dati su maksimalni prioriteti sigurnosti, performansama i pouzdanosti.

NAMJENA

Uređaj je namijenjen samo za korištenje na otvorenom.

Ovaj proizvod nije namijenjen za korištenje od strane djece ili osoba sa smanjenim fizičkim, psihičkim ili mentalnim mogućnostima.

Proizvod je namijenjen za ispuhivanje lakih ostataka uključujući lišće, travu i druge vrtno otpatke. Namijenjen je za usisavanje i prikupljanje ostataka kao što je gore navedeno, u vrećicu za prikupljanje. Nije namijenjen za usisavanje ili vakuumiranje vode ili drugih tekućina.

⚠ UPOZORENJE

Prilikom korištenja proizvoda moraju se slijediti sigurnosna pravila. Radi vaše i sigurnosti ostalih promatrača, prije rada s proizvodom pažljivo i potpuno pročitajte ove upute. Molimo vas da čuvate ove upute radi kasnijeg korištenja.

⚠ UPOZORENJE

Ovaj proizvod nije namijenjen za korištenje od strane djece ili osoba sa smanjenim fizičkim, psihičkim ili mentalnim mogućnostima. Djecu je potrebno odgovarajuće nadzirati kako bi se osiguralo da se ne igraju s proizvodom.

OPĆA SIGURNOSNA PRAVILA

OBUKA

- Pažljivo pročitajte upute. Upoznajte se s upravljačkim elementima i pravilnim korištenjem proizvoda.
- Nikada ne dopustite djeci, osobe smanjenih tjelesnih, osjetilnih ili mentalnih mogućnosti ili osoba koje ne raspolažu iskustvom ili osobama koj nisu upoznate s ovim uputama da koriste proizvod. Moguće je da lokalni propisi propisuju starosnu dob rukovatelja.

- Imajte na umu da je rukovatelj ili korisnik odgovoran za nezgode ili opasnosti koje nastanu drugim osobama ili njihovoj imovini.
- Držite promatrače, djecu i kućne ljubimce 15 m dalje od područja rada. Zaustavite proizvod ako bilo tko uđe u područje rada.
- Nemojte raditi s proizvodom kad ste umorni, bolesni ili pod utjecajem alkohola, droga ili lijekova.

ELEKTRIČNA SIGURNOST

- Utikači moraju odgovarati utičnici. Nikada nemojte modificirati utikače ni na koji način. Nemojte koristiti nikakve adapter utikače s uzemljenim električnim alatima. Originalni utikači i odgovarajuće utičnice smanjuju opasnost od strujnog udara.
- Izbjegavajte nehotično pokretanje alatke. Prije uključivanja proizvoda u napajanje uvijek provjerite da li je prekidač u položaju OFF (Isključeno). Ne nosite proizvod priključen na struju s prstom na prekidaču.
- Izbjegavajte kontakt tijela s uzemljenim površinama poput cijevi, radijatora, štednjaka i hladnjaka. Ako je vaše tijelo uzemljeno, povećava se opasnost od strujnog udara.
- Nemojte proizvod izlagati kiši ili vlažnim uvjetima. Ulazak vode u uređaj povećava opasnost od strujnog udara.
- Napajanje treba biti putem FID sklopke (RCD uređaj) s proradnom strujom ne većom do 30 mA.
- Prije svakog korištenja, provjerite kabel za napajanje na oštećenje. Ako su oštećeni odmah ih zamijenite. Uvijek odmotajte kabel za napajanje tijekom korištenja, namotani kabel može se ugrijati.
- Ako trebate koristiti produžni kabel, osigurajte da je prikladan za korištenje na otvorenom i da ima dovoljan kapacitet za napajanje alata. Produžni kabel treba imati oznaku „H05 RN F“ ili „H05 VV F“. Prije svakog korištenja provjerite na oštećenja produžnog kabela. Uvijek odmotajte produžni kabel tijekom korištenja, namotani kabel može se ugrijati. Oštećene

produžne kabele ne treba popravljati, treba ih zamijeniti s odgovarajućim tipom.

- Provjerite je li kabel za napajanje pravilno pozicioniran tako da se na njega ne može stati, zapeti ili drugim predmetima oštetiti ili naprezati.
- Nikada ne podižite ili nosite proizvod za električni kabel.
- Nikada ne povlačite za kabel kako biste ga odspojili iz napajanja.
- Držite kabel za napajanje podalje od topline, ulja i oštrih rubova.
- Uvijek usmjerite kabel u stražnji dio proizvoda.
- Provjerite da li je točno napajanje za vaš proizvod. Nazivna pločica na proizvodu naznačuje napon jedinice. Nikada ne priključujte proizvod na AC napon koji se razlikuje od ovog napona.
- Prije isključivanja iz napajanja provjerite je li prekidač u položaju Off (isključeno).

PRIPREMA

- Neke regije imaju pravila koja ograničavaju korištenje proizvoda za neke radove. Provjerite kod lokalnih tijela za savjet.
- Tijekom rada s proizvodom uvijek nosite zaštitnu obuću i duge hlače. Nemojte raditi bosu ili u otvorenim sandalima. Izbjegavajte nositi odjeću koja je labava ili s nje visi konop ili kravata, oni se mogu zahvatiti u pokretne dijelove.
- Nemojte nositi labavu odjeću ili nakit koji može biti povučen u otvor za zrak.
- Osigurajte dugu kosu na način da je iznad razine ramena kako biste spriječili zahvaćanje u pokretne dijelove.
- Cijelo vrijeme dok radite s proizvodom nosite zaštitu za oči. Ovaj proizvod je bučan i može dovesti do trajnog oštećenja sluha ako se ne pridržavate mjera opreza za izlaganje, smanjenje buke i nošenja zaštite za sluh.
- Cijelo vrijeme nosite potpunu zaštitu za oči. Proizvođač izričito predlaže masku na cijelom licu ili potpuno zatvorene naočale. Obične naočale ili sunčane naočale

nisu adekvatna zaštita. Predmeti mogu biti odbačeni velikom brzinom snažnim mlazom zraka i mogu se odbiti od tvrde površine prema operateru.

- Osigurajte prije svakog korištenja da svi upravljački elementi i sigurnosni uređaji pravilno funkcioniraju. Ne koristite proizvod ako sklopka „isključeno“ ne zaustavlja motor.
- Prije korištenja, uvijek vizualno provjerite kako biste vidjeli da su vijci mehanizma za usitnjavanje i drugi pričvrtni elementi pritegnuti (ako postoje), da kućište nije oštećeno i da su štitnici i ručke na mjestu.
- Za zamjenu oštećenih ili nečitljivih naljepnica vratite ih u ovlaštenu servisnu centar.
- Nikada nemojte raditi s proizvodom s oštećenim pokrovima ili štitnicima, ili bez sigurnosnih uređaja, npr. postavljenog sakupljača krhovina.
- Održavajte sve ulaze za zrak čistim od krhovina.
- Koristite grablje i metle kako biste popustili ostatke prije ispuhivanja/usisavanja.
- Prije svakog korištenja očistite radno područje. Uklonite sve predmete kao što su kamenje, slomljeno staklo, čavli, žica ili konopi koji mogu biti odbačeni uslijed velike brzine.
- Radite s proizvodom samo na čvrstoj, ravnoj površini.

⚠ UPOZORENJE

Prije korištenja proizvoda u načinu rada usisavača morate sklopiti gornju i donju vakuumsku cijev zajedno, kao što je prikazano na stranici 165. Ovo je samo jedna radnja. Nikada ne radite s usisavačem samo s postavljenom cijevi za usisavanje. Opasnost od osobnih ozljeda izričito je povećana ako se ne slijedi ovo upozorenje.

UPORABA

- Ako se kabel ošteti tijekom korištenja, odmah ga odspojite iz napajanja. **Nemojte dodirivati kabel prije nego ga isključite**

iz napajanja. Nemojte koristiti uređaj ako je kabel oštećen ili istrošen.

- Radite s uređajem na napajanje u razumne sate – ne rano ujutro ili kasno navečer kada možete uznemiravati ljude.
- Nikada ne radite s proizvodom u eksplozivnoj atmosferi.
- Izbjegavajte korištenje proizvoda u lošim vremenskim uvjetima, posebice ako postoji opasnost od udara munje.
- Nemojte raditi u slabom osvjetljenju. Operateru treba jasan pogled radnog područja kako bi identificirao potencijalne opasnosti.
- Korištenje zaštite za sluh smanjuje vašu mogućnost da čujete upozorenja (viku ili alarme). Rukovatelj mora obratiti posebnu pozornost na to što se događa u radnom području.
- Pazite da vas se ne ometa i uvijek budite koncentrirani na to što radite. Razmislite i imajte na umu efekt vaših radnji.
- Rad u blizini sličnim alatom dovodi do opasnosti povreda sluha i mogućim ulaskom drugih osoba u radno područje.
- Zauzmite čvrst stav i ravnotežu. Ne sežite preko određene granice. Sezanje preko određene granice može imati za posljedicu gubitak ravnoteže.
- Uvijek se čvrsto uprite na kosinama. Hodajte, nemojte trčati.
- Držite sve dijelove tijela dalje od svih pokretnih dijelova. Rotirajuće oštrice propelera mogu izazvati ozbiljne ozljede. Zaustavite proizvod i provjerite da li su se prestale okretati oštrice propelera prije otvaranja vratašca ventilatora, montaže/izmjene cijevi, otvaranja ili uklanjanja vrećica za otpatke.
- Nikada nemojte pogoniti uređaj bez pravilno priključene opreme. Prilikom korištenja puhalice uvijek montirajte cijev puhalice i zatvorite poklopac ventilatora. Prilikom korištenja usisavača uvijek montirajte cijev usisavača i vrećicu usisavača.
- Nemojte modificirati uređaj ni na koji način ili koristiti dijelove ili dodatni pribor koje nije

preporučio proizvođač.

⚠ UPOZORENJE

Ako je proizvod ispao, pretrpio težak udar ili abnormalno vibrira, odmah zaustavite proizvod i provjerite na oštećenje ili identificirajte uzrok vibracija. Svaki oštećeni dio trebao bi pravilno popraviti ili zamijeniti ovlaštenu servisni centar.

- Za samnjenje opasnosti od povreda povezanih s dodirrom rotirajućih dijelova, uvijek zaustavite proizvod, odspojite napajanje i provjerite da su svi pokretni dijelovi zaustavljeni prije:
 - prije čišćenja i odblokiravanja
 - kada ostavljate proizvod bez nadzora
 - prije ugradnje ili uklanjanja priključaka
 - prije provjere, održavanja ili rada na uređaju
 - za provjeru uređaja nakon odbacivanja nepoznatog predmeta
 - ako uređaj počne abnormalno vibrirati (odmah provjerite)

⚠ UPOZORENJE

Vaša puhalica/usisavač može imati kopču. Pažljivo podesite kopču rad komfora u pomoći podrške težine proizvoda.

Pronađite brzi mehanizam za otpuštanje i vježbajte korištenje prije nego počnete koristiti uređaj. Njegovo pravilno korištenje sprječava ozbiljne povrede u slučaju nužde. Nikada ne nosite dodatnu odjeću preko kopče ili na drugi način ne ograničavajte pristup mehanizmu za brzo otpuštanje.

SIGURNOSNA UPOZORENJA VEZANO ZA PUHALICU

- U prašnjavim uvjetima nosite masku za lice s filtrom kako biste smanjili opasnost od ozljeda vezanih uz udisanje prašine.
- Nemojte usmjeravati mlaznicu puhalice u smjeru ljudi ili kućnih ljubimaca.
- Nikada ne postavljajte predmete unutar cijevi puhalice.

- Nemojte raditi s uređajem pored otvorenih prozora.
- Neznatno navlažite površine u prašnjavim uvjetima.
- Koristite produžetak mlaznice za jako puhanje kako bi mlaz zraka radio bliže tla.
- Ne postavljajte puhalicu na vrh ili pored hrpe krhotina. Krhotine mogu biti usisane u ulazni otvor za ventilaciju dovodeći do mogućeg oštećenja jedinice.

SIGURNOSNA UPOZORENJA VEZANO ZA USISAVAČ

▲ UPOZORENJE

Nikada ne radite s usisavačem samo s postavljenom cijevi za usisavanje. Opasnost od osobnih ozljeda izričito je povećana ako se ne slijedi ovo upozorenje.

- Nemojte raditi sa usisavačem bez montiranog sklopa vrećice usisavača; leteće krhotine mogu dovesti do ozbiljnih ozljeda. Prije nego pokrenete uređaj osigurajte da je vrećica usisavača potpuno zatvorena.
- Pomičite usisavač s jedne strane na drugu uzduž vanjskog ruba gomile ostataka. Nemojte postavljati cijev usisavača izravno na gomilu ostataka kako biste izbjegli začepljenje.
- Držite motor u višljem položaju od ruba ulaza cijevi usisavača.
- Prilikom rada na kosini uvijek držite cijev usisavača usmjerenu nizbrdo.
- Kako biste izbjegli ozljede operatera ili oštećenje jedinice ne pokušavajte usisati kamenje, slomljeno staklo, boce ili druge slične predmete.
- Izbjegavajte situacije u kojima vrećica usisavača može biti zahvaćena plamenom. Nemojte raditi blizu otvorenog plamena. Nemojte usisavati topao pepeo iz kamina, roštilja itd. Nemojte usisavati odbačene cigare ili cigarete osim ako žar nije potpuno hladan.

PRIJEVOZ I SKLADIŠTENJE

- Zaustavite proizvoda, odspojite napajanje i omogućite mu da se ohladi prije skladištenja ili prijevoza.
- Očistite svaki strani materijal s uređaja. Skladištite ga na suhom i dobro ventiliranom mjestu koje nije pristupačno djeci. Nemojte ju ostavljati u blizini korozivnih agenasa kao ni vrtnih kemijskih proizvoda i soli za odmrzavanje. Ne ostavljajte na otvorenom.
- Za prijevoz, osigurajte uređaj protiv pomicanja ili pada kako biste spriječili povrede osoba ili oštećenja na uređaju.

ODRŽAVANJE

▲ UPOZORENJE

Koristite samo originalne zamjenske dijelove, dodatni pribor i priključke od proizvođača. Nepoštivanje ovih uputa može dovesti do mogućih ozljeda, loše učinkovitosti i može dovesti do poništenja jamstva.

▲ UPOZORENJE

Servisiranje iziskuje krajnju pažnju i znanje i treba da ga vrši samo kvalificirani serviser. Za servisiranje mi vam preporučamo da odnesete proizvod u najbliži ov lašteni servisni cent ar radi opravke. Prilikom servisiranja koristiti identične zamjenske dijelove.

- Možete izvršiti podešavanja i popravke koji su opisani u ovom priručniku. Za druge popravke, obratite se ovlaštenom servisnom agentu.
- Nakon svakog korištenja proizvod obrišite sa suhom mekom krpom.
- Često provjeravajte sve matice i zavrtnje da li su dobro pritegnuti kako biste bili sigurni da je proizvod u sigurnom radnom stanju. Svaki oštećeni dio trebao bi pravilno popraviti ili zamijeniti ovlašteni servisni centar.
- Nikada ne pokušavajte premostiti funkciju unutarnje brave štitnika.

OSTALE OPASNOSTI:

Čak i kad je proizvod korišten kao što je prethodno opisano, još uvijek nije moguće potpuno isključiti ostale čimbenike opasnosti. Može doći do sljedećih opasnosti prilikom korištenja i operater mora obratiti posebnu pozornost kako bi izbjegao sljedeće:

- Ozljede uzrokovane vibracijom. Uvijek koristite pravi alat za posao. Koristite označenu kopču i ograničite radno vrijeme i izloženost.
- Izlaganje buci može izazvati povredu sluha. Nosite zaštitu za sluh i ograničite izloženost.
- Može doći do povrede od letećih predmeta iz cijevi protoka cijevi puhalice ili ispusta usisavača ako vrećica nije postavljena ili je oštećena. Cijelo vrijeme nosite odgovarajuća sredstva za zaštitu očiju.

SMANJENJE OPASNOSTI

Prijavljeno je da vibracije alata koje se drži u ruci kod određenih pojedinaca mogu doprinijeti stanju pod nazivom Raynaud's Syndrome. Simptomi mogu uključivati trnce, ukočenost i bjelinu prstiju, obično uočljivo po izlaganju hladnoći. Smatra se da nasljedne osobine, izlaganje hladnoći i vlazi, dijeta, pušenje i radni postupci pridonose razvoju ovih simptoma. Postoje mjere koje operator može poduzeti kako bi smanjio moguće učinke vibracije:

- Održavajte svoje tijelo toplim u hladnim vremenskim uvjetima. Kad radite s proizvodom nosite rukavice kako biste ruke i zglobove održavali toplima. Prijavljeno je da je hladnoća glavni čimbenik koji doprinosi Raynaud's Syndrome.
- Nakon svakog perioda rada vježbajte kako biste povećali cirkulaciju krvi.
- Uzimajte česte stanke u radu. Ograničite količinu izlaganja po danu.

Ako osjetite neke od simptoma ovog stanja, odmah prekinite korištenje i obratite se svome liječniku vezano uz ove simptome.

⚠ UPOZORENJE

Povrede mogu biti uzrokovane ili zadobivene produljenim korištenjem alata. Kada koristite bilo koji alat dulje vremena, osigurajte da uzimate povremene stanke.

UPOZNAJTE SVOJ PROIZVOD

Pogledajte stranicu 164.

1. Poklopac ventilatora
2. Gornja cijev usisavača
3. Donja cijev usisavača
4. Kotačići vodilice
5. Mlaznica velike brzine
6. Donja cijev puhalice
7. Gornja cijev puhalice
8. Vrećica usisavača
9. Vrećica za adapter
10. Poluga za odabir načina rada puhalice/usisavača
11. Prednja ručka
12. Birač brzine
13. Stražnja ručica
14. Sklopka za uklj./isklj.

SIMBOLI NA PROIZVODU



Pročitajte i razumite sve upute prije rada s proizvodom, slijedite sva upozorenja i sigurnosne upute.



Čuvajte se odbačenih ili letećih predmeta. Držite sve promatrače naročito djecu i kućne ljubimce, na udaljenosti najmanje 15 m od radnog područja.



Rotirajući ventilatori. Držite ruke i stopala izvan otvora dok uređaj radi.



Nosite zaštitu za sluh



Nosite sredstva za zaštitu očiju



Ne izlažite kiši ili vlažnim uvjetima.



Sklopka za OFF (isključivanje): uklonite utikač napajanja prije čišćenja ili održavanja



Ako je kabel oštećen ili prerezan odmah uklonite utikač iz utičnice prije održavanja.



Ovaj alat usklađen je sa svim normama i propisima zemlje Europske unije u kojoj je kupljen.



Alat II razreda s dvostrukom izolacijom



Otpadni električni proizvodi ne treba da se odlažu s otpadom iz domaćinstva. Molimo da reciklirate gdje je to moguće. Potražite savjet od lokalnih vlasti ili prodavca kako reciklirati.



Jamčena razina zvučne snage 108 dB.



Način rada puhanjem



Način rada usisavanja



Ukrajinska oznaka za sukladnost



EurAsian znak konformnosti

SIMBOLI U OVOM PRIRUČNIKU



Priključite u utičnicu za napajanje



Isključite iz utičnice za napajanje



Napomena



Upozorenje

Slijedeće riječi upozorenja i značenja imaju namjeru da objasne nivo rizika u vezi s ovim proizvodom.

⚠ OPASNOST

Ukazuje na neposrednu opasnu situaciju, koja, ukoliko se ne izbjegne, može rezultirati smrću ili opasnim povredama

⚠ UPOZORENJE

Ukazuje na moguću opasnu situaciju, koja, ukoliko se ne izbjegne, može rezultirati smrću ili opasnim povredama

⚠ UPOZORENJE

Ukazuje na moguću opasnu situaciju, koja, ukoliko se ne izbjegne, može rezultirati manjim ili blažim povredama

UPOZORENJE

Bez sigurnosnog simbola upozorenja
Naznačuje situaciju koja može rezultirati oštećenjem imovine.



Varnost, učinkovitost in zanesljivost so bile pri načrtovanju vašega električnega razpihovalnika/sesalnika ključnega pomena.

NAMEN UPORABE

Izdelek je namenjen izključno zunanji uporabi. Izdelek ni namenjen za uporabo s strani otrok ali oseb z zmanjšanimi fizičnimi, duševnimi ali senzoričnimi zmožnostmi.

Izdelek je namenjen za pihanje lahkih smeti vključno z listjem, travo in drugimi vrtnimi odpadki. Namenjen je za sesanje in rahlo nastiljanje ostankov, kot je opisano zgoraj. Vse odloži v zbiralno vrečo. Ni zasnovan za črpanje in sesanje vode ali drugih tekočin.

⚠ OPOZORILO

Med uporabo stroja upoštevajte varnostna navodila. Preden začnete uporabljati izdelek, morate za vašo varnost in varnost prisotnih v celoti prebrati in razumeti ta navodila. Prosimo, shranite ta navodila za kasnejšo rabo.

⚠ OPOZORILO

Izdelek ni namenjen za uporabo s strani otrok ali oseb z zmanjšanimi fizičnimi, duševnimi ali senzoričnimi zmožnostmi. Otroke nenehno primerno nadzorujte, da se ne bodo igrali z napravo.

SPLOŠNA VARNOSTNA OPOZORILA

URJENJE

- Pazljivo preberite navodila. Seznanite se s krmilnimi elementi in pravilno uporabo izdelka.
- Nikoli ne dovolite otrokom, osebam z zmanjšanimi fizičnimi, senzoričnimi ali mentalnimi zmožnostmi ali osebam s pomanjkanjem izkušenj ali znanja ter osebam, ki niso seznanjene s temi navodili, da uporabljajo izdelek. Lokalni predpisi se morda nanašajo tudi na minimalno starost upravitelja.
- Pomnite, da je upravitelj oz. uporabnik odgovoren za nesreče ali nevarnosti, ki se

prijetijo ostalim ljudem ali njihovi lastnini.

- Prisotni, otroci in živali naj bodo vsaj 15 m oddaljeni od delovnega območja. Ugasnite izdelek, če kdo vstopi v območje.
- Izdelka nikoli ne uporabljajte, če ste utrujeni, bolni ali pod vplivom alkohola, drog ali zdravil.

ELEKTRIČNA VARNOST

- Vtiči električnih orodij se morajo prilegati vtičnicam. Vtiča nikoli in na noben način ne smete spreminjati. Z ozemljenimi električnimi orodji ne uporabljajte adapterjev vtiča. Nespremenjeni vtiči in ustrezne vtičnice zmanjšajo tveganje električnega udara.
- Izogibajte se nenamernemu zaganjanju naprave. Preden izdelek priklopite na napajanje, preverite če je stikalo v položaju OFF (IZKLOP). Ne nosite vklopljenega izdelka s prstom na stikalu.
- Izogibajte se telesnemu stiku z ozemljenimi površinami, kot so cevi, radiatorji, kuhalniki in hladilniki. Če je vaše telo ozemljeno, obstaja povečano tveganje električnega udara.
- Izdelka ne izpostavljajte dežju ali vlagi. Voda, ki vstopi v napravo, zviša tveganje za električni udar.
- Napajanje naprave mora imeti napravo za rezidualni tok (RCD), tok naj ne presega 30 mA.
- Pred vsako uporabo preverite, če je napajalni kabel poškodovan. Če so poškodovani, jih takoj zamenjajte. Kadar izdelek uporabljate, vedno odvijte napajalni kabel; zaviti kabli se lahko pregrejejo.
- Če morate uporabiti električni podaljšek, zagotovite, da je primeren za zunanjo uporabo in je zadostno zmogljiv za napajanje vašega orodja. Električni podaljšek mora biti označen z oznako »H05 RN F« ali »H05 VV F«. Pred vsako uporabo preverite, ali je električni podaljšek poškodovan. Kadar izdelek uporabljate, vedno odvijte električni podaljšek, saj se lahko oviti kabli pregrejejo. Poškodovane podaljševalne kable ne smete popravljati,



temveč jih zamenjajte s kablom enakovredne vrste.

- Prepričajte se, da je napajalni kabel napeljan tako, da nanj nič ali nihče ne more pasti, stopiti, se obenj spotakniti ali ga kakorkoli poškodovati.
- Izdelka nikoli ne dvigujte in ne prenašajte za električni kabel.
- Ko odstranjujete vtikač iz vtičnice, nikoli ne vlecite za napajalni kabel.
- Kabel držite proč od vročine, olja ali ostrih robov.
- Električni kabel vedno usmerite stran od zadnjega dela izdelka.
- Prepričajte se, da napetost ustreza vašemu izdelku. Imenska ploščica na izdelku prikazuje napetost naprave. Nikoli ne priklaplajte izdelka na izmenično napetost, drugačno od navedene.
- Prepričajte se, da je stikalo v položaju OFF (IZKLOP), preden izključite napajanje.

PRIPRAVA

- V nekaterih regijah predpisi omejujejo uporabo izdelka na določene namene. Za nasvet se obrnite na lokalne oblasti.
- Med upravljanjem izdelka vedno nosite ustrezno obutev in dolge hlače. Naprave ne uporabljajte, če ste bos ali nosite odprte sandale. Izogibajte se nošenju ohlapnih oblačil ali oblačil z odstopajočimi dodatki, saj se lahko ujamejo med premične dele.
- Ne nosite ohlapnih oblačil ali nakita, ki bi se lahko ujel v dovod zraka.
- Dolge lase si spnite nad rameni in tako preprečite njihovo ujetje v premikajoče se dele.
- Med celotnim upravljanjem izdelka vedno nosite popolno zaščito za ušesa. Ta naprava je izredno hrupna in lahko povzroči trajne poškodbe sluha, če ne upoštevate previdnostnih ukrepov glede omejitve izpostavljenosti, zmanjšanja hrupa in nošenja zaščite za sluh.
- Med celotnim upravljanjem tega izdelka vedno nosite popolno zaščito za oči. Proizvajalec močno priporoča ščitnik za

celotni obraz in popolnoma zaprta očala. Navadna očala ali sončna očala niso zadostna zaščita. Močan zračni vrtelec lahko kadarkoli zelo hitro vrže predmete, ki se lahko od trde površine odbijejo proti uporabniku.

- Pred vsako uporabo zagotovite, da vse kontrole in varnostne naprave delujejo pravilno. Izdelka ne uporabljajte, če stikalo za izklop ne zaustavi motorja.
- Pred vsako uporabo vedno preverite, da so sredstva za drobljenje, vijaki sredstev za drobljenje in druga zapenjala zavarovana (če so nameščena), ohišje nepoškodovano in varovala ter ročaji na ustreznem mestu.
- Poškodovane ali nečitljive nalepke naj zamenjajo v pooblaščenem servisnem centru.
- Nikoli ne upravljajte izdelka s poškodovanimi varovali ali zaščitami, brez varovalnih naprav kot na primer brez nameščenega zbiralca ostankov.
- Poskrbite, da bodo odprtine za zračenje čiste.
- Pred uporabo puhalnika/sesalnika z grabljami zrahljajte sprijeti material.
- Pred vsako uporabo temeljito očistite območje obratovanja. Odstranite vse predmete, kot so skale, razlomljeno steklo, žebliji, žice ali dele vrvi, ki bi med delovanjem lahko odleteli.
- Z izdelkom upravljajte samo na trdni, ravni površini.

⚠ OPOZORILO

Preden uporabite izdelek v načinu za sesanje, morate sestaviti zgornje in spodnje sesalne cevi, kot je prikazano na strani 165. To je enkratno delovanje. Nikoli na upravljajte sesalnika samo z nameščeno zgornjo sesalno cevjo. Tveganje za telesno poškodbo je močno povečano, če ne upoštevate teh opozoril.

DELOVANJE

- Če se kabel med uporabo poškoduje, ga takoj odklopite iz električne vtičnice. **Ne**

dotikajte se kabla, preden ne prekinete napajanja z elektriko. Če opazite, da je napajalni kabel poškodovan ali obrabljen, naprave ne uporabljajte.

- Napravo uporabljajte le ob primernih urah – ne zgodaj zjutraj ali pozno zvečer, ko bi lahko koga motili.
- Naprave nikoli ne uporabljajte v eksplozivnem ozračju.
- Izogibajte se uporabi izdelka v slabih vremenskih pogojih, še posebej, če obstaja nevarnost strele.
- S cepilnikom ne upravljajte pri slabi osvetljavi. Upravljavec mora imeti jasen pregled nad delovnim območjem, da lahko prepozna morebitne nevarnosti.
- Zaščita za sluh zmanjša vašo sposobnost, da slišite opozorila (alarme ali klice). Upravljavec mora še bolj paziti na dogajanje v okolici.
- Med obratovanjem bodite osredotočeni na delo in se ne dajte motiti. Dobro premislite o svojih dejanjih pretehtajte njihove posledice.
- Uporaba podobnih orodij v bližini poveča nevarnost za poškodbe sluha in nevarnost, da druge osebe vstopijo v vaše delovno območje.
- Pazite na ravnotežje in ne pretiravajte. Nesiahajte priliš daleko. Pretiravanje lahko povzroči izgubo ravnotežja.
- Pri uporabi na pobočjih vedno pazite na ravnotežje. Vedno hodite, nikoli ne tecite.
- Dele telesa držite proč od premikajočih se delov. Vrteči se kraki rotorja lahko povzročijo hude poškodbe. Ustavite izdelek in se prepričajte, da se kraki rotorja ne vrtijo več, preden odprete pokrivalo ventilatorja, nameščate oz. menjavate cevi, odprete ali odstranite vrečo za ostanke.
- Naprave nikoli ne vklopite brez nameščene ustrezne opreme. Ko napravo uporabljate kot puhalnik, vedno namestite cevi za puhalnik in zaprite pokrivalo ventilatorja. Ko jo uporabljate kot sesalnik, vedno namestite cevi in vrečo za sesalnik.
- Na noben način ne spreminjajte naprave

ter ne uporabljajte delov in dodatkov, ki jih ne priporoča proizvajalec.

▲ OPOZORILO

Če izdelek pade, močno trči ali začne nenormalno vibrirati, ga nemudoma zaustavite in preverite, ali je poškodovan oziroma poiščite vzrok vibriranja. Vsakršno poškodbo mora ustrezno popraviti ali zamenjati pooblaščen servisni center.

- Da bi zmanjšali tveganje poškodb zaradi stika z vrtljivimi deli, vedno ustavite izdelek, prekinite glavno napajanje in se prepričajte, da so se vrtljivi deli ustavili:
 - pred čiščenjem ali odstranjevanjem blokade
 - ko pustite izdelek brez nadzora
 - pred nameščanjem ali odstranjevanjem pripomočkov
 - pred preverjanjem in vzdrževanjem izdelka ali delom na njem
 - Ob trčenju s tujim objektom pregledajte izdelek za morebitne poškodbe.
 - če izdelek začne nenormalno vibrirati (preverite nemudoma).

▲ OPOZORILO

Puhalniku/sesalniku je lahko priložen trak. Previdno prilagodite jermen, da vam bo na udoben način pomagal podpirati težo izdelka. Preden začnete uporabljati napravo, poiščite hitri odpenjalni mehanizem in vadite njegovo uporabo. Pravilna uporaba lahko prepreči hude telesne poškodbe v nujnem primeru. Nikoli ne nosite oblačil prek traka za nošenje ali kako drugače omejite dostop do mehanizma za hitro sprostitvev.

VARNOSTNA OPOZORIILA ZA PUHALNIK

- V okolju z veliko prahu uporabljajte obrazni filter, saj tako zmanjšate tveganje za poškodbe, ki bi nastale zaradi vdihavanja prahu.
- Šobe puhalnika ne usmerjajte proti ljudem ali živalim.

- V cevi puhalnika nikoli ne dajajte predmetov.
- Naprave ne uporabljajte blizu odprtih oken.
- V prašnih pogojih površine nekoliko navlažite
- Uporabite podaljšek šobe puhalnika, tako da lahko zračni curek deluje zelo blizu tlom.
- Puhalnika ne postavljajte na vrh ali poleg odpadkov. Odpadke bi lahko povleklo v vhodno prezračevalno cev puhalnika, zaradi česar se enota lahko poškoduje.

VARNOSTNA OPOZORILA ZA SESALNIK

⚠ OPOZORILO

Nikoli na upravljajte sesalnika samo z nameščeno zgornjo sesalno cevjo. Tveganje za telesno poškodbo je močno povečano, če ne upoštevate teh opozoril.

- Sesalnika ne uporabljajte brez nameščenega sklopa vrečke za sesalnik. Leteči drobcji lahko povzročijo hude poškodbe. Prepričajte se, da je vrečka popolnoma zaprta, preden napravo vključite.
- Sesalnik premikajte od strani do strani ob zunanjem robu odpadkov. Da ne bi prišlo do zamašitve, cevi sesalnika ne potisnite direktno v kup odpadkov.
- Motor držite višje kot del sesalne cevi, kjer se dovaja zrak.
- Pri delu na bregu cevi vedno usmerjajte navzdol proti nižjemu delu brega.
- Da bi se izognili hudim poškodbam upravljavca ali naprave, ne sesajte kamnov, zlomljenega stekla, steklenic ali drugih podobnih predmetov.
- Izogibajte se situacijam, v katerih bi se vrečka za sesalnik lahko vnela. Naprave ne uporabljajte blizu odprtega ognja. Ne sesajte vročega pepela iz ognjišč, žarov, kresov itd. Prav tako ne sesajte odvrženih cigare in cigaret, razen če so ogorki popolnoma hladni.

TRANSPORT IN SHRANJEVANJE

- Ustavite izdelek, odklopite ga od glavnega napajanja in počakajte, da se ohladi, preden ga shranite ali prenašate.
- Očistite vse tujke z izdelka. Shranite jo na suhem in dobro prezračenem mestu, ki ni na dosegu otrok. Hranite proč od jedkih sredstev, kot so kemikalije za vrtnarjenje in soli za odmrzovanje. Ne shranjujte na prostem.
- Za transport zavarujte izdelek pred premiki ali padci, da preprečite poškodbe oseb ali izdelka.

VZDRŽEVANJE

⚠ OPOZORILO

Uporabljajte le originalne rezervne dele in dodatke, ki jih priporoča proizvajalec. V nasprotnem primeru naprava lahko slabo deluje, povzroči poškodbe, garancija pa ne velja več.

⚠ OPOZORILO

Servisiranje zahteva posebno pozornost in znanje in naj jo zato opravlja samo izurjeni servisni tehnik. Servisiranje in popravila izdelka vam priporočamo pri vašem najbližjem pooblaščenem servisnem centru. Pri servisiranju uporabljajte le identične nadomestne dele.

- Opravljati smete le nastavitve in popravila, ki so opisana v teh navodilih za uporabo. Za ostala popravila se obrnite na pooblaščenega serviserja.
- Po vsaki uporabi izdelek očistite z mehko in suho krpo.
- Pogosto preverjajte, ali so vse matice in vijaki dobro priviti in tako zagotovite varno delovno stanje izdelka. Vsak poškodovani del mora ustrezno popraviti ali zamenjati pooblaščen servisni center.
- Ne poskušajte zaobiti zaporne značilnosti varovala.

REZIDUALNA TVEGANJA:

Tudi če izdelek uporabljate tako, kot je predpisano, še vedno ne moremo izključiti določenih preostalih dejavnikov tveganja. Med uporabo se lahko pojavijo naslednje nevarnosti, upravljavec pa naj bo pozoren na sledeče:

- Poškodbe zaradi vibracij. Vedno uporabljajte pravo orodje za opravilo. Uporabite ustrezne ročaje in omejite delovni čas in izpostavljenost.
- Izpostavljenost hrupu lahko povzroči poškodbo sluha. Nosite zaščito za sluh in omejite izpostavljenost.
- Pride lahko do poškodb zaradi delcev, ki odletijo iz pihalne cevi ali oddušne cevi sesalnika, če vreča ni nameščena ali je poškodovana. Vedno nosite ustrezno zaščito za vid.

ZMANJŠANJE TVEGANJA

Ugotovljeno je bilo, da lahko pri nekaterih posameznikih vibracije ročnih orodij povzročijo Raynaudov sindrom. Simptomi so lahko mravljinca, otrplost in pobledele prsti, kar je običajno vidno, kadar je oseba izpostavljena mrazu. Dedni dejavniki, izpostavljenost mrazu in vlagi, dieta, kajenje in delovne navade naj bi pripomogle k razvoju teh simptomov. Za zmanjšanje učinkov vibracij lahko upravljavec upošteva naslednja navodila:

- Poskrbite, da bo vaše telo na mrazu toplo. Med upravljanjem nosite rokavice in tako ohranite toploto vaših dlani in zapestij. Kot poročajo, je mraz glavni dejavnik, ki prispeva k Raynaudovemu sindromu.
- Po vsakem obdobju upravljanja naprave telovadite in tako pospešite krvni obtok.
- Pogosto si vzemite odmor. Omejite dnevno količino izpostavljenosti.

Če zaznavate kakršne koli simptome takšnega stanja, takoj prenehajte z uporabo naprave in se o simptomih posvetujte z zdravnikom.

⚠ OPOZORILO

Daljša uporaba orodja lahko privede do poškodb ali pa so poškodbe lahko hujše. Kadar orodje uporabljate dalj časa, si večkrat vzemite odmor.

SPOZNAJTE SVOJ IZDELEK

Glejte stran 164

1. Pokrivalo za ventilator
2. Zgornja cev sesalnika
3. Spodnja sesalna cev
4. Krmiljena kolesa
5. Visokohitrostna šoba
6. Spodnja pihalna cev
7. Zgornja cev pihalnika
8. Vrečka za sesalnik
9. Priključek za vrečo
10. Ročica za izbiro načina pihalnika/sesalnika
11. Sprednji ročaj
12. Izbirnik hitrosti
13. Zadnji ročaj
14. Sprožilnik za vklop/izklop

SIMBOLI NA IZDELKU



Pred uporabo izdelka morate prebrati in razumeti vsa navodila, upoštevati vsa opozorila in varnostne napotke.



Pazite na izvržene ali leteče predmete. Prisotni (še posebej otroci in živali) naj bodo med obratovanjem oddaljeni vsaj 15 m od delovnega območja.



Vrteči ventilator. Medtem ko je izdelek v teku, imejte roke in noge izven odprtín.



Nosite zaščito za ušesa



Nosite zaščito za oči



Ne izpostavljajte ga dežju ali vlagi.



Izključeno: pred čiščenjem ali vzdrževanjem odstranite vtič iz glavnega napajanja



Pred vzdrževanjem oziroma če je kabel poškodovan ali prerezan, takoj izvlecite vtič iz glavnega omrežja.



Ustreza vsem predpisanim standardom v državi članici EU, kjer je bil kupljen izdelek.



Orodje razreda II, dvojna izolacija



Odpadne električne izdelke odlagajte skupaj z ostalimi gospodinjskimi odpadki. Reciklažo opravljajte na predpisanih mestih. Za reciklažni nasvet se obrnite na lokalne oblasti.



Zajamčena raven hrupa je 108 dB.



Način puhalnika



Način sesalnika



Ukrajinska oznaka za skladnost



EurAsian oznaka o skladnosti

SIMBOLI V TEM PRIROČNIKU



Priključite v vtičnico



Izključite iz vtičnice



Opomba



Opozorilo

Sledeče signalne besede in pomeni naj bi pojasnili ravni tveganja, ki so povezane s tem izdelkom.

NEVARNOST

Označuje neizbežno tvegano stanje, ki če se ji ne izognete lahko povzroči smrt ali resno poškodbo.

OPOZORILO

Označuje morebitno tvegano stanje, ki če se ji ne izognete lahko povzroči smrt ali resno poškodbo.

POZOR

Označuje morebitno tvegano stanje, ki če se mu ne izognete lahko povzroči manjšo ali srednje resno poškodbo.

POZOR

Brez simbola za varnostno opozorilo Prikazuje situacijo, ki lahko povzroči materialno škodo.



Na dosiahnutie jednoduchej obsluhy a prevádzky boli pri navrhovaní tohto elektrického dúchadla/vysávača najvyššou prioritou bezpečnosť, výkon a spoľahlivosť.

ÚČEL POUŽITIA

Tento produkt je určený len pre použitie v exteriéri.

Produkt nie je určený na použitie deťmi alebo osobami so zníženými fyzickými, duševnými alebo zmyslovými schopnosťami.

Tento produkt je určený na odfukovanie ľahkej sutiny, ako sú listy, tráva a iní záhradné zvyšky. Je určený na vysávanie a jemné mulčovanie sutiny, ako je popísané vyššie, a jej zberu do zberného vaku. Nie je určený na vysávanie vody a iných kvapalín.

⚠ VAROVANIE

Pri používaní tohto produktu sa musia dodržiavať bezpečnostné zásady. Pre vašu vlastnú bezpečnosť a bezpečnosť okolostojacich osôb si pred použitím produktu musíte prečítať tento návod a porozumieť všetkým jeho pokynom. Odložte si tento návod na neskoršie použitie.

⚠ VAROVANIE

Produkt nie je určený na použitie deťmi alebo osobami so zníženými fyzickými, duševnými alebo zmyslovými schopnosťami. Deti musia byť pod primeraným dozorom, aby sa nemohli s produktom hrať.

VŠEOBECNÉ BEZPEČNOSTNÉ VÝSTRAHY

ŠKOLENIE

- Pozorne si prečítajte pokyny. Oboznámte sa s ovládacími prvkami a správnu obsluhu produktu.
- Nikdy nedovoľte deťom, osobám so zníženými fyzickými, duševnými alebo zmyslovými schopnosťami alebo s nedostatočnými skúsenosťami a znalosťami alebo osobám, ktoré nie sú oboznámené s týmto návodom, používať

produkt. Miestne platné predpisy môžu obmedzovať dobu použitia kosačky.

- Užívateľ alebo obsluha stroja sú zodpovední za nehody alebo škody na majetku a za nebezpečenstvo vzniknuté pri prevádzke stroja.
- Okolostojace osoby, deti a domáce zvieratá, musia stáť min. 15 m od pracovného priestoru. Ak nejaká osoba vstúpi do pracovného priestoru, zastavte produkt.
- Nikdy nepoužívajte produkt, keď ste unavení, chorí alebo pod vplyvom, alkoholu, drog alebo liekov.

ELEKTRICKÁ BEZPEČNOSŤ

- Elektrické zástrčky musia zodpovedať zásuvke. Zástrčku nikdy žiadnym spôsobom neupravujte. S uzemnenými mechanickými nástrojmi nepoužívajte rozdvojné zásuvky. Použitím neupravovaných zástrčiek a zodpovedajúcich zásuviek sa znižuje riziko úrazu elektrickým prúdom.
- Dbajte na to, aby nedochádzalo k neúmyselnému spusteniu. Pred zapojením produktu do elektrickej siete vždy skontrolujte, či je spínač vo vypnutej polohe (OFF). Neprenášajte zapojený produkt s prstom nachádzajúcim sa na spínači.
- Vyhýbajte sa telesnému kontaktu s uzemnenými povrchmi, napríklad rúrami, radiátormi, sporákmi a chladničkami. Ak je vaše telo uzemnené, hrozí vysoké riziko úrazu elektrickým prúdom.
- Nevystavujte produkt dažďu ani mokrému prostrediu. Voda, ktorá vnikne do zariadenia, zvyšuje riziko úrazu elektrickým prúdom.
- Elektrické napájanie musí byť privádzané cez zariadenie pre zvyškový prúd s vypínacím prúdom maximálne 30 mA.
- Pred použitím skontrolujte napájací kábel, či nie je poškodený. V prípade poškodenie ihneď vymeňte. Pri použití vždy odviňte napájací kábel, lebo zvinuté káble sa môžu prehrievať.
- Ak potrebujete použiť predlžovací kábel,



skontrolujte, či je vhodný na použitie v exteriéri a má a dostatočnú nominálnu prúdovú kapacitu na napájanie nástroja. Predlžovací kábel musí mať označenie „H05 RN F“ alebo „H05 VV F“. Pred každým použitím skontrolujte predlžovací kábel, či nedošlo k poškodeniu. Pri použití vždy odviňte predlžovací kábel, lebo zvinuté káble sa môžu prehrievať. Poškodené predlžovacie káble sa nesmú opravovať, ale vymeniť za ekvivalentný typ.

- Dbajte na to, aby bol napájací kábel umiestnený tak, aby naň nikto nestúpil, nezakopol oň, ani ho inak nepoškodil alebo nenamáhal.
- Produkt nikdy nezdvíhajte ani neprenášajte za elektrický kábel.
- Nástroj nikdy neodpájajte z elektrickej siete ťahaním za napájací kábel.
- Napájací kábel nedávajte do blízkosti tepla, oleja alebo ostrých okrajov.
- Kábel vždy smerujte dozadu smerom od produktu.
- Skontrolujte, či je napätie správne pre váš produkt. Firemný štítok na produkte uvádza napätie jednotky. Zariadenie nikdy nepripájajte k striedavému napätiu inému, ako je uvedené napätie.
- Pred odpojením z elektrickej siete skontrolujte, či je spínač vo vypnutej polohe.

PRÍPRAVA

- Niektoré regióny majú nariadenia, ktoré obmedzujú použitie produktu na určité operácie. Poradte sa s miestnym úradom.
- Pri práci s produktom vždy používajte pevnú obuv a dlhé nohavice. Nepoužívajte nástroj bosí alebo v otvorených sandáloch. Nenoste odev, ktorý je voľný alebo má voľne visiace šnúrky či pútko – môžu sa zachytiť do pohybujúcich sa dielov.
- Nenoste voľný odev, ani šperky, ktoré by sa mohli vťahnuť do prívodu vzduchu.
- Dlhé vlasy zaistíte, aby boli nad úrovňou pliec a nedošlo tak k ich zamotaniu do pohyblivých dielov.

- Pri práci s produktom neustále používajte ochranu sluchu. Tento produkt je veľmi hlučný a v prípade, že striktné nedodržíte pokyny, ktoré by zamedzili vystaveniu hluku, znížili hluk alebo nebudete používať ochranu sluchu, môže dôjsť k poškodeniu sluchu.
- Pri práci s produktom neustále používajte kompletnú ochranu zraku. Výrobca dôrazne odporúča celotvárovú masku alebo úplne uzavreté ochranné okuliare. Štandardné okuliare alebo slnečné okuliare nie sú primeranou ochranou. Siný prúd vzduchu môže kedykoľvek spôsobiť vymrštenie predmetov vysokou rýchlosťou a tieto sa môžu odraziť od pevných povrchov smerom k obsluhujúcemu.
- Pred každým použitím skontrolujte, či všetky ovládacie prvky a bezpečnostné zariadenia fungujú správne. Produkt nepoužívajte, ak hlavný spínač nevypína motor.
- Pred každým použitím vizuálne skontrolujte, drviace zariadenia, maticové skrutky drviaceho zariadenia a ostatné upínadlá sú zaistené (kde je to použiteľné), kryt je nepoškodený a či ochranné kryty a rukoväte sú na svojom mieste.
- Výmenu poškodených alebo nečitateľných štítkov vykonajú v autorizovanom servisnom centre.
- Nikdy nepracujte so zariadením, ktoré má poškodené ochranné vodidlá alebo kryty alebo nemá nasadené bezpečnostné zariadenia, napríklad zberač sutiny.
- Zo všetkých otvorov na chladiaci vzduch odstraňujte úlomky.
- Na uvoľnenie sutiny pred fúkaním či vysávaním použite hrable a metly.
- Pred každým použitím vyčistite pracovisko. Odstráňte všetky objekty ako kamene, rozbité sklo, klince, drôty alebo pružiny, ktoré by sa mohli vymrštiť do značnej vzdialenosti následkom vysokej rýchlosti vzduchu.
- S produktom pracujte len na pevnom a rovnom povrchu.

⚠ VAROVANIE

Pred použitím produktu v nasávacom režime musíte zmontovať hornú a dolnú nasávaciu rúrku dokopy, podľa obrázka na strane 165. Toto je jednorazová operácia. Nikdy nepracujte s vysávačom len s nasadenou hornou nasávacou trubicou. Pri nedodržaní tohto varovania výrazne vzrastá riziko osobného poranenia.

PREVÁDZKA

- Ak sa kábel pri používaní poškodí, okamžite ho odpojte z elektrickej siete. **Pred odpojením napájania sa nedotýkajte kábla.** Nástroj nepoužívajte, ak je kábel poškodený alebo opotrebovaný.
- So zariadením pracujte len v rozumných hodinách – nie skoro ráno alebo neskoro večer, kedy by to mohlo rušiť ostatných ľudí.
- Nikdy nepracujte so zariadením vo výbušnej atmosfére.
- Nepoužívajte produkt v zlom počasí, najmä ak existuje riziko vzniku bleskov.
- Nepracujte pri nedostatočnom osvetlení. Obsluhujúci musí mať jasný výhľad na pracovný priestor, aby mohol identifikovať potenciálne nebezpečenstvo.
- Použitie ochrany sluchu znižuje schopnosť počuť zvukové výstrahy (výkriky alebo alarmy). Operátor musí dávať zvlášť pozor, čo sa deje v pracovnej oblasti.
- Nenechajte sa rozptýliť a vždy sa sústreďte na to, čo práve robíte. Dôkladne si premyslite a zvážte účinky vašich činov.
- Pri používaní podobných nástrojov v blízkosti sa zvyšuje riziko poranenia sluchu a potenciál pre ostatné osoby, ktoré vstúpia do pracovného priestoru.
- Udržujte bezpečný postoj a rovnováhu. Nepreceňujte sa. Preceňovanie sa môže spôsobiť stratu rovnováhy.
- Na svahoch vždy dbajte na pevnú oporu nôh. Chodte krokom, nikdy nebežte.
- Žiadnu časť tela nedávajte do blízkosti žiadnej pohybujúcej sa časti. Rotujúce

lopatky kolesa môžu zapríčiniť vážne zranenie. Predtým, ako otvoríte dverka kryt ventilátora, budete inštalovať či vymieňať rúrky, otvárať či odstraňovať vrecko na sutinu, vždy zastavte produkt a skontrolujte, či sa ostria lopatkového kolesa zastavili.

- Nikdy neprevádzkujte jednotku bez vhodne pripojeného príslušenstva. Pri používaní vo funkcii dúchadla vždy nainštalujte rúrky dúchadla a zatvorte kryt ventilátora. Keď sa zariadenie používa ako vysávač, vždy namontujte trubicu a vrecko.
- Zariadenie žiadnym spôsobom neupravujte ani nepoužívajte diely či príslušenstvo, ktoré neodporúča výrobca.

⚠ VAROVANIE

Ak produkt spadne, utrpí silný náraz alebo začne neštandardne vibrovať, okamžite ho zastavte a skontrolujte, či nedošlo k poškodeniu alebo zistíte príčinu vibrácií. Akékoľvek poškodenie sa musí náležite opraviť alebo vymeniť v autorizovanom servisnom centre.

- Na zníženie rizika poranenia následkom kontaktu s rotujúcimi dielmi pred nasledujúcimi činnosťami vždy zastavte produkt, odpojte ho od elektrickej siete a skontrolujte, či sa všetky pohybujúce úplne zastavili:
 - pred čistením alebo odstránením upchatia
 - pri ponechaní produktu bez dozoru
 - Pred montážou alebo demontážou nástavcov
 - pred kontrolou, údržbou alebo prácou na produkte
 - skontrolovať poškodenie produktu po zasiahnutí cudzím predmetom
 - ak zariadenie začne neštandardne vibrovať (ihneď skontrolujte)

⚠ VARO VANIE

Dúchadlo/vysávač môže byť vybavený postrojom. Dôkladne nastavte postroj tak, aby vám pohodlne pomáhal pri nosení hmotnosti produktu.

Oboznámte sa s činnosťou mechanizmu rýchleho uvoľnenia a vyskúšajte si jeho používanie predtým, ako začnete používať zariadenie. Jeho správne použitie môže zabrániť vážnemu poraneniu v prípade ohrozenia. Nikdy nenoste na postroji ďalší odev ani nijako inak neobmedzujte prístup k mechanizmu rýchleho uvoľnenia.

BEZPEČNOSTNÉ VÝSTRAHY PRE DÚCHADLO

- Noste ochrannú tvárovú masku v prašných podmienkach, aby ste znížili riziko zranenia spojené s vdýchnutím prachu.
- Nesmerujte trysku dúchadla smerom na ľudí alebo zvieratá.
- Do rúrok dúchadla nikdy nevkladajte žiadne predmety.
- Nepoužívajte zariadenie v blízkosti otvorených okien.
- V prašnom prostredí mierne navlhčite povrchy.
- Použite nástavec so širokou dýzou dúchadla, aby prúd vzduchu mohol zaberat' v blízkosti zeme.
- Nepokladajte dúchadlo na voľnú sutinu ani do jej blízkosti. Do nasávacieho otvoru sa môže vsať sutina, čo by pravdepodobne spôsobilo poškodenie zariadenia.

BEZPEČNOSTNÉ VÝSTRAHY PRE VYSÁVAČ

⚠ VARO VANIE

Nikdy nepracujte s vysávačom len s nasadenou hornou nasávacou trubicou. Pri nedodržaní tohto varovania výrazne vzrastá riziko osobného poranenia.

- Nepoužívajte vysávač bez namontovanej jednotky vrecka vysávača – odlietavajúca

sutina by mohla spôsobiť vážne poranenie. Pred prácou skontrolujte, či je vrečko vysávača úplne zapísované.

- Pohybuje vysávačom zo strany na stranu pozdĺž vonkajšieho okraja sutiny. Aby nedošlo k upchatiu, neprikladajte trubicu vysávača priamo ku kope sutiny.
- Motor držte vyššie ako vstupný koniec trubice vysávača.
- Vždy držte trubicu vysávača smerom dole, keď pracujete na svahu.
- Aby nedošlo k vážnemu poraneniu obsluhujúcej osoby alebo poškodeniu zariadenia, nenasávajte kamene, rozbité sklo, fľaše či iné podobné predmety.
- Vyhýbajte sa situáciám, kde by sa vrečko vysávača mohlo zapáliť. Nepracujte v blízkosti otvoreného ohňa. Nevysávajte teplý popol z kozubov, zvyšky z grilu, z krovín atď. Nevysávajte odhodnené cigary alebo cigarety, až kým ich popol úplne nevychladne.

PREPRAVA A SKLADOVANIE

- Pred uskladnením alebo prepravou zastavte zariadenie, odpojte ho od elektrickej siete a nechajte ho vychladnúť.
- Odstráňte zo zariadenia všetky cudzie materiály. Odložte ho na suché a dobre vetrané miesto, na ktoré nemajú prístup deti. Náradie neuskladňujte v blízkosti žieravých látok, ako napríklad v blízkosti záhradníckych chemických prípravkov alebo solí na zimný posyp komunikácií. Neskladujte v exteriéri.
- Pri preprave zaistite produkt pred pohybom alebo pádom, aby nedošlo k poraneniu osôb alebo poškodeniu produktu.

ÚDRŽBA

⚠ VARO VANIE

Používajte len originálne náhradné diely, príslušenstvo a nástavce výrobcu. V opačnom prípade môže dôjsť k možnému poraneniu, nedostatočnému výkonu a strate platnosti záruky.

VAROVANIE

Údržba vyžaduje extrémnu starostlivosť a znalosti, a musí byť prevádzaná výhradne v autorizovanom servise. Z dôvodu servisu vám odporúčame vrátiť výrobok do najbližšieho autorizovaného servisného centra na opravu. Ak výrobok opravujete, používajte iba rovnaké originálne náhradné diely.

- Môžete vykonávať úpravy a opravy popísané v tejto príručke. Pri ostatných opravách sa obráťte na autorizovaného servisného zástupcu.
- Po každom použití vyčistite produkt mäkkou suchou tkaninou.
- Skontrolujte všetky skrutky, matice v častých intervaloch či sú riadne utiahnuté, aby sa zaistila bezpečná prevádzka produktu. Akýkoľvek poškodený diel sa musí náležite opraviť alebo vymeniť v autorizovanom servisnom centre.
- Nikdy sa nepokúšajte vyradiť funkciu poistky na kryte.

ZVÝŠKOVÉ RIZIKÁ:

Aj keď sa nástroj používa podľa predpisu, nie je možné eliminovať určité zvyškové rizikové faktory. Pri použití vznikajú nasledujúce riziká a obsluhujúca osoba musí venovať zvláštnu pozornosť, aby nedošlo k nasledovnému:

- Zranenie spôsobené vibráciami. Vždy používajte vhodný nástroj pre danú úlohu. Používajte určené rukoväte a obmedzte pracovný čas a mieru rizika.
- Vystavovanie hluku môže spôsobiť poranenie sluchu. Používajte ochranu sluchu a obmedzte expozíciu.
- Nebezpečenstvo odletujúcich predmetov z prúdu vzduchu výstupnej rúrky alebo výfuku vysávača, ak vrecko nie je nasadené alebo je poškodené. Neustále používajte primeranú ochranu zraku.

OBMEDZENIE RIZIKA

Boli hlásené prípady, kedy vibrácie z ručných nástrojov u niektorých osôb prispeli

k stavu nazývanému Raynaudov syndróm. K symptómom patria: trpnutie, znecitlivenie a blednutie prstov, zvyčajne zjavné po vystavení zime. Je známe, že k vývoju týchto symptómov prispievajú: dedičné faktory, vystavovanie zime a vlhkosti, diéta, fajčenie a pracovné návyky. Opatrenia, ktoré môže vykonať obsluhujúca osoba na možné zníženie účinkov vibrácií:

- V studenom počasí udržiavajte svoje telo v teple. Pri práci s produktom noste rukavice, aby ste mali ruky a zápästia v teple. Boli hlásené prípady, kedy hlavným faktorom prispievajúcim k Raynaudovmu syndrómu bolo studené počasie.
- Po každom určitom časovom úseku prevádzky cvičte, aby ste zlepšili krvný obeh.
- Počas práce si doprajte časté prestávky. Obmedzte počet vystavení za deň.

Ak zistíte ktorýkoľvek zo symptómov tohto stavu, okamžite prerušte používanie zariadenia, navštívte svojho lekára a povedzte mu o symptómoch.

VAROVANIE

Pri dlhodobom alebo zvýšenom používaní môže dôjsť k zraneniam. Pri používaní nástroja príliš dlhé obdobia si vždy doprajte pravidelné prestávky.

OBOZNÁMTE SA S VAŠÍM PRODUKTOM

Pozrite stranu 164.

1. Kryt ventilátora
2. Horná nasávací trubica
3. Spodná nasávací trubica
4. Vodiace kolieska
5. Vysokorychlostná dýza
6. Spodná vyfukovacia trubica
7. Horná vyfukovacia trubica
8. Vrecko vysávača
9. Adaptér na vak
10. Voliaca páčka režim dýchadla/vysávača
11. Predná rukoväť
12. Volič rýchlosti
13. Zadná rukoväť
14. Hlavný spínač

SYMBOLY NA PRODUKTE



Pred použitím produktu si s porozumením prečítajte všetky pokyny a dodržiavajte výstražné a bezpečnostné upozornenia.



Pozor na vymrštené alebo odletujúce objekty. Všetky okolostojace osoby (najmä deti a domáce zvieratá) musia stáť minimálne 15 m od miesta práce



Rotujúce ventilátory. Nedávajte ruky ani nohy do otvorov, keď je produkt spustený.



Používajte chrániče sluchu



Používajte chrániče zraku



Nevystavujte dažďu ani nepoužívajte vo vlhkom prostredí.



Vypnutie: pred čistením alebo údržbou odpojte zástrčku z elektrickej siete



Ak sa kábel poškodí alebo pretrhne, bezprostredne pred vykonaním údržby odpojte zástrčku z elektrickej siete.



Vyhovuje všetkým regulačným normám v krajine EÚ, v ktorej bol výrobok zakúpený.



Nástroj triedy II, dvojité izolácia



Opotrebované elektrické zariadenia by ste nemali odhadzovať do domového odpadu. Prosíme o recykláciu ak je možné. Kontaktujte miestne úrady, alebo predajcu pre viac informácií ohľadom ekologického spracovania.



Garantovaná hladina akustického výkonu je 108 dB



Režim dúchadla



Režim vysávania



Ukrajinské označenie zhody



Euroázijská značka zhody

SYMBOLY V TOMTO NÁVODE



Pripojte do elektrickej zásuvky



Odpojte z elektrickej zásuvky



Poznámka



Varovanie

Nasledujúce značky a významy vysvetľujú úroveň rizika spojeným s výrobkom.

⚠ NEBEZPEČENSTVO

Označuje bezprostredne nebezpečnú situáciu, ktorá môže vyústiť v smrť, alebo vážne zranenie.

⚠ VAROVANIE

Označuje potenciálne nebezpečnú situáciu, ktorá môže vyústiť v smrť, alebo vážne zranenie.

⚠ VÝSTRAHA

Označuje potenciálne nebezpečnú situáciu, ktorá môže vyústiť v ľahké, alebo stredne ťažké zranenie.

VÝSTRAHA

Bez symbolu bezpečnostného alarmu Označuje situáciu, ktorá môže zapríčiniť poškodenie majetku.



Безопасността, производителността и надеждността са аспектите, на които е отделен най-голям приоритет при проектирането на вашата електрическа машина за обдуване/засмукване.

ПРЕДНАЗНАЧЕНИЕ

Продуктът е предназначен за използване само на открито.

Продуктът не е предназначен за използване от деца или от лица с намалени физически, сетивни или умствени способности.

Продуктът е предназначен за издухване на леки отпадъци, включително листа, трева и други градински отпадъци. Той е предназначен за засмукване и мулчиране на малки отпадъци, които се събират в чувала, както е описано по-горе. За отпадъци. Той не е създаден за всмукване или засмукване на вода или други течности.

⚠ ПРЕДУПРЕЖДЕНИЕ

При използване на продукта трябва да се спазват правилата за безопасност. За осигуряване на вашата безопасност и тази на страничните наблюдатели трябва да прочетете тези инструкции, преди да работите с продукта. Съхранявайте ръководството за експлоатация на сигурно място, за да можете да го ползвате и по-късно.

⚠ ПРЕДУПРЕЖДЕНИЕ

Продуктът не е предназначен за използване от деца или от лица с намалени физически, сетивни или умствени способности. Децата трябва да бъдат внимателно надзиравани, за да се гарантира, че не си играят с продукта.

ОБЩИ ПРЕДУПРЕЖДЕНИЯ ЗА БЕЗОПАСНОСТ

ОБУЧЕНИЕ

■ Прочете инструкциите внимателно. Запознайте се с контролите за управление и правилното използване

на продукта.

- Никога не позволявайте продуктът да бъде използван от: деца; лица с намалени физически, сетивни или умствени способности; лица без необходимите опит и знания; лица, които не са запознати с настоящите инструкции. Местните наредби могат да налагат ограничения за възрастта на оператора.
- Трябва да знаете, че операторът или потребителят е отговорен за причиняването на злополуки или щети на други лица или имущество.
- Дръжте всички странични наблюдатели, деца и домашни животни на разстояние поне 15 метра от работната зона. Спрете продукта, ако някой навлезе в работната зона.
- Никога не използвайте продукта, ако сте уморени, болни или под влиянието на алкохол, наркотични вещества или лекарства.

ЕЛЕКТРИЧЕСКА БЕЗОПАСНОСТ

- Щепселът на инструмента трябва да е съвместим с контакта. В никакъв случай не внасяйте изменения в конструкцията на щепсела. Когато работите със занулени електрически инструменти, не използвайте адаптери за щепсела. Използването на оригиналните щепсели и контакти намалява риска от токов удар.
- Избягвайте неволно стартиране. Винаги проверявайте дали превключвателят е на позиция OFF („Изключено“), преди да включите продукта в захранването. Не носете включен продукт, докато пръстът ви е на бутона.
- Избягвайте допир със заземени повърхности, като тръби, радиатори, печки и хладилници. Когато тялото ви е заземено, рискът от възникване на токов удар е по-голям.
- Не излагайте продукта на дъжд или влажни условия. Проникването на вода в уреда повишава риска от токов удар.





- Уредът трябва да бъде захранван чрез прекъсвач за защитно изключване, пропускащ ток не повече от 30 mA.
- Преди употреба огледайте захранващия кабел за повреди. При откриване на повреда незабавно го заменете. Винаги развивайте захранващия кабел преди употреба; навитите кабели могат да прегреят.
- Ако е необходимо да използвате удължаващ кабел, проверете дали той е подходящ за работа на открито или дали захранващият му капацитет е достатъчен за захранване на вашия инструмент. Удължаващият кабел трябва да има маркировка „H05 RN F” или „H05 VV F”. Проверявайте удължаващия кабел за повреди преди всяка употреба. Винаги развивайте удължаващия кабел при работа, защото неразвитите кабели могат да прегреят. Повредените удължителни кабели не трябва да се поправят, а да се сменят с такива от еквивалентен тип.
- Внимавайте захранващия кабел да не е на места, където може да бъде настъпен, прегазен или изложен по друг начин на повреда или напрежение.
- Никога не вдигайте и не носете продукта за електрическия кабел.
- Никога не дърпайте захранващия кабел, за да изключите инструмента от електричеството.
- Дръжте захранващия кабел далече от топлина, масло и остри предмети.
- Винаги насочвайте кабела към задната част на продукта и възможно по-далече от него.
- Уверете се, че използваното напрежение е правилно за вашия продукт. На табелката с характеристиките на продукта, можете да видите напрежението му. Никога не свързвайте уреда към променлив ток с различно от посоченото напрежение.
- Уверете се, че ключът е в позиция „Off” (Изкл.), преди изключите от

електрозахранването.

ПОДГОТОВКА

- В някои региони има разпоредби, ограничаващи използването на продукта до определени операции. За съвети се обръщайте към местните власти.
- Когато използвате продукта, винаги носете здрави затворени обувки и дълъг панталон. Не използвайте инструмента, ако сте боси или носите отворени сандали. Избягвайте да носите широки дрехи или такива с висящи краища или връзки; те могат да се заплетат в движещите се части.
- Не носете широки дрехи или украшения, които могат да бъдат захванати във входящия вентилационен отвор.
- Дългата коса трябва да бъде прибрана на ниво над раменете, за да се избегне нейното заплитане в движещите се части.
- При работа с продукта винаги носете защитни средства за слуха. Продуктът е изключително шумен и може да предизвика трайни увреждания на слуха, ако не спазвате инструкциите за ограничаване на употребата, намаляване на шума и носене на антифони.
- При работа с продукта винаги носете всички необходими защитни средства за очите. Производителят силно препоръчва използването на маска за цяло лице или на защитни очила, които са плътно прилепнали до очите. Обикновените или слънчевите очила не представляват надеждна защита. Мощната въздушна струя може да предизвика отхвърчането на предмети с висока скорост, като те могат да рикошират от твърди повърхности към оператора.
- Преди всяка употреба проверявайте дали всички контроли и устройства за безопасност функционират правилно. Не използвайте продукта, ако превключвателят “OFF” (“Изключване”)



не спира мотора.

- Преди всяко използване на машината винаги проверявайте визуално дали механизмите за раздробяване, болтовете и другите скрепителни елементи са поставени стабилно (ако това е приложимо), дали корпусът е невредим и дали предпазителите и ръкохватките са поставени на своите места.
- Занесете в оторизиран сервизен център, ако е необходима замяна на повредени или нечетливи етикети.
- Никога не използвайте продукта с повредени предпазители или странични екрани, както и без необходимите защитни устройства, например без монтиран чувал за отпадъци.
- Дръжте всички охлаждащи вентилационни отвори чисти от отпадъци.
- Използвайте гребла и метли, за да разчистите отпадъците преди обдухване/засмукване.
- Винаги почиствайте работното пространство, преди да използвате уреда. Премахвайте всички предмети като камъни, счупени стъкла, пирони, жици или телове, които могат да отхвъркнат на значително разстояние от силната въздушна струя.
- Работете с продукта само върху стабилни и равни повърхности.

▲ ПРЕДУПРЕЖДЕНИЕ

Преди да използвате продукта в режим на засмукване, трябва да сглобите горната и долната засмукваща тръба, както е показано на страница 165. Това действие се извършва само еднократно. Никога не работете с уреда за засмукване, ако е монтирана само горната засмукваща тръба. Рискът от физически наранявания се увеличава значително, ако не спазвате това предупреждение.

РАБОТА

- Ако кабелът се повреди по време на работа, внимателно издърпайте кабела от електричеството. **Не докосвайте кабела, преди да сте изключили захранването.** Не използвайте инструмента, ако кабелът е повреден или износен.
- Работете с машината само в подходящо за това време - извън ранните сутрешни и късните вечерни часове, когато е възможно да пречите на други хора.
- Никога не работете с уреда в експлозивна среда.
- Избягвайте да използвате продукта при лоши метеорологични условия, особено ако има риск от мълнии.
- Не използвайте тази машина при слабо осветление. Операторът трябва да има чиста видимост върху работното пространство, за да идентифицира потенциални опасности.
- При използване на антифони ще се намали способността да чувате предупреждения (подвиквания или аларми). Операторът трябва да е особено внимателен за това, което се случва в работната зона.
- Не се разсейвайте и бъдете винаги концентрирани върху това, което правите. Внимателно обмисляйте възможните резултати от вашите действия.
- Ако наблизко се работи с подобни уреди, това увеличава както риска от увреждане на слуха, така и вероятността други хора да навлязат във вашето работно пространство.
- Заемайте стабилна позиция и пазете баланс. Не се протягайте, за да работите на трудно достижими места. Протягането може да доведе до загуба на равновесие.
- Винаги стъпвайте внимателно и стабилно на стръмни повърхности. Вървете, никога не тичайте, когато косите.

- Дръжте движещите се части на разстояние от тялото си. Въртящата се перка на ротора може да нанесе тежки контузии. Спрете продукта и изчакайте перките на ротора да спрат да се въртят, преди да отворите решетката на вентилатора, да монтирате/смените тръбите или да отворите/свалите чувала за отпадъци.
- В никакъв случай не стартирайте машината, ако не е напълно оборудвана. Когато използвате уреда в режим на обдухване, тръбите за обдухване трябва да са монтирани, а решетката на вентилатора – затворена. Когато използвате машината в режим на засмукване, всмукателните тръби и торбата за отпадъци трябва да са монтирани.
- Не модифицирайте машината по никакъв начин и не използвайте части и принадлежности, които не са препоръчани от производителя.

▲ ПРЕДУПРЕЖДЕНИЕ

Ако продуктът бъде изпуснат, претърпи силен удар или започне да вибрира неестествено, незабавно изключете продукта и проверете за повреди или се опитайте да идентифицирате причината за вибрирането. Поправките и замените на части при повреда трябва да се извършват от оторизиран сервизен център.

- За да намалите опасността от нараняване при контакт с движещите се части, винаги спирайте продукта, изключвайте го от захранването и изчаквайте всички движещи се части напълно да спрат движението си:
 - преди почистване или отстраняване на запушвания
 - когато оставяте продукта без надзор
 - преди монтиране или демантиране на допълнителни приставки
 - преди проверка, поддръжка или работа по продукта

- за да инспектирате продукта за повреди след сблъсък с всякакъв външен предмет
- ако уредът започне да вибрира неестествено (проверете незабавно)

▲ ПРЕДУПРЕЖДЕНИЕ

Възможно е вашата машина за обдухване/засмукване да е снабдена с ремък за закачане. Внимателно регулирайте презрамката, така че да ви е удобно, докато поддържате тежестта на продукта.

Запознайте се с механизма за бързо освобождаване и упражнявайте използването му, преди да започнете да работите с машината. Правилното използване на този механизъм може да предотврати сериозно нараняване при възникване на извънредна ситуация. Никога не носете допълнително облекло над ремъка за закачане, защото така се блокира достъпът до механизма за бързо освобождаване.

ПРЕДУПРЕЖДЕНИЯ ЗА БЕЗОПАСНОСТ В РЕЖИМ НА ОБДУХВАНЕ

- При работа в прашни условия носете филтърна маска, за да се намали опасността от заболявания на дихателните пътища в следствие на вдишването на прах.
- Не насочвайте дюзата за обдухване срещу хора или животни.
- Никога не поставяйте предмети вътре в обдухващите тръби.
- Не работете с машината в близост до отворени прозорци.
- Навлажнявайте леко повърхностите при работа в прашни условия.
- Използвайте удължения накрайник за пълно обдухване, така че въздушният поток да преминава близко до земята.
- Не поставяйте машината върху или в близост до свободно хвърчащи отпадъци. Възможно е входящият вентилационен отвор да засмуче

отпадъците и те да повредят машината.

ПРЕДУПРЕЖДЕНИЯ ЗА БЕЗОПАСНОСТ В РЕЖИМ НА ЗАСМУКВАНЕ

▲ ПРЕДУПРЕЖДЕНИЕ

Никога не работете с уреда за засмукване, ако е монтирана само горната засмукваща тръба. Рискът от физически наранявания се увеличава значително, ако не спазвате това предупреждение.

- Не използвайте машината в режим на засмукване, без да сте монтирали торбата за отпадъци; летящите отломки могат да причинят тежки наранявания. Преди работа с уреда се уверете, че торбата за отпадъци е затворена и ципът ѝ е закопчан.
- В режим на засмукване предвижвайте машината от край до край, започвайки от външния край на пространството за почистване. За да избегнете запушване на засмукващата тръба, не я насочвайте директно към купчината с отпадъци.
- Дръжте мотора по-високо от входящия отвор на засмукващата тръба.
- Когато почиствате наклонена повърхност, дръжте всмукателната тръба насочена надолу.
- За да избегнете нараняване на оператора или повреда на машината, не засмуквайте камъни, счупени стъкла, бутилки или други подобни предмети.
- Вземете всички необходими мерки, за да избегнете запалването на торбата за отпадъци. Не използвайте тази машина в близост до открит огън. Не засмуквайте гореща пепел от камини, скари за барбекю, купчини със сухи растения и др. подобни. Не засмуквайте фасове от цигари или пури, освен ако не сте убедени, че са напълно изгаснали.

ТРАНСПОРТИРАНЕ И СЪХРАНЕНИЕ

- Спрете продукта, изключете го от захранването и го изчакайте да се

охлади, преди да го транспортирате или приборете за съхранение.

- Почистете продукта от всички чужди частици. Съхранявайте я на хладно, сухо и добре проветрявано място, което е недостъпно за деца. Не го оставяйте в близост до корозивни материали като градински химикали или соли за размразяване. Не съхранявайте на открито.
- Когато транспортирате продукта, го обезопасете така, че да не може да се движи или да падне, защото това може да доведе до евентуални наранявания на хора или повреди по продукта.

ПОДДРЪЖКА

▲ ПРЕДУПРЕЖДЕНИЕ

Използвайте само оригинални резервни части, аксесоари и приставки от производителя. В противен случай може да се влоши работата на инструмента или да получите тежки контузии, а гаранцията ви ще стане невалидна.

▲ ПРЕДУПРЕЖДЕНИЕ

Сервизното обслужване изисква изключително внимание и специфични познания и следва да бъде извършвано само от квалифициран техник. За сервизно обслужване и поправка препоръчваме да занесете продукта до най-близкия упълномощен цен се рвизен цен тър. При ремонт използвайте само идентични резервни части.

- Можете да правите настройки и поправки, описани в това ръководство на потребителя. За други поправки се свържете с агент на упълномощения сервиз.
- Всеки път след употреба почиствайте продукта с мека и суха кърпа.
- Периодично проверявайте дали всички гайки, болтове и винтове са правилно затегнати, за да сте сигурни, че продуктът е в изправност. Всяка повредена част

трябва да бъде поправена или заменена от упълномощен сервизен център.

- Никога не се опитвайте да дезактивирате блокиращата функция на предпазителя.

НЕПРЕДВИДЕНИ РИСКОВЕ.

Дори когато продуктът се използва по предназначение, е невъзможно напълно да се ограничи влиянието на определени рискови фактори. Рисковете, описани по-долу, може да възникнат по време на употреба и операторът трябва да внимава за избягването на следното:

- Нараняване, причинено от вибрация. Винаги използвайте подходящия инструмент за съответната дейност и предназначенията за целта ръкохватки. Като ограничавате времето на работа и излагането на рискове.
- Излагането на шум може да доведе до увреждане на слуха. Носете антифони и ограничете излагането.
- Ако чувалът за отпадъци не е прикрепен добре или е повреден, могат да възникнат наранявания в резултат на летящи предмети от въздушната струя при обдухване или от отходната струя при засмукване. По всяко време носете подходящи защитни средства за очите.

ΜΕΙΩΣΗ ΚΙΝΔΥΝΟΥ

Известно е, че вибрациите, произведени от ръчни инструменти може да предизвикат у някои индивиди заболяване, наречено Синдром на Рейнолд (Raynaud's Syndrome). Симптомите може да включват изтръпване, схващане и изbledняване на пръстите, обикновено се забелязват при излагане на студ. Смята се, че наследствените фактори, излагането на студ и влага, диетите, пушенето и някои работни навици допринасят за развитието на тези симптоми. Могат да се вземат някои мерки, които могат да се предприемат от оператора, за да се намалят ефектите от вибрациите:

- Поддържайте телесната температура в студено време. Когато работите

с продукта, носете ръкавици, за да поддържате ръцете и китките си топли. Според изследванията главният фактор, допринасящ за развитието на Raynaud's Syndrome, е студеното време.

- Правете упражнения за активизиране на кръвообращението след всеки работен цикъл.
- Редовно излизайте в почивка. Ограничете излагането на вибрации на ден.

При поява на някои от симптомите на това заболяване, незабавно прекратете употребата на инструмента и посетете лекар.

⚠ ПРЕДУПРЕЖДЕНИЕ

Продължителното използване на инструмента може да доведе до наранявания или влошаване. При използване на инструмента за продължителни периоди от време правете чести почивки.

ОПОЗНАЙТЕ ВАШИЯ ПРОДУКТ

Вж. страница 164.

1. Решетка на вентилатора
2. Горна засмукваща тръба
3. Долна засмукваща тръба
4. Направляващи колелета
5. Високоскоростна дюза
6. Долна обдухваща тръба
7. Горна обдухваща тръба
8. Торба за отпадъци
9. Адаптер на чувала
10. Лостче за превключване между режим на обдухване/засмукване
11. Предна ръкохватка
12. Регулатор на скоростта
13. Задна ръкохватка
14. Спусък за включване/изключване

СИМВОЛИ НА ПРОДУКТА



Прочетете и осмислете всички указания, преди да започнете работа с продукта; спазвайте всички предупреждения и инструкции за безопасност.



Внимавайте за изхвърлени или летящи обекти. Не допускате странични наблюдатели, особено деца и домашни животни, на по-малко от 15 м от работната зона.



Въртящи се перки. Дръжте крайниците си далече от отворите, докато продуктът работи.



Носете антифони



Носете защитни средства за очи



Не излагайте на дъжд и на влажни условия.



Изключване: изключвайте щепсела от захранването, преди да извършвате дейности по поддръжка и почистване

Ако кабелът е повреден или срязан, както и непосредствено преди профилактика, изключете щепсела от електрическата мрежа.

Тази машина е в съответствие с нормативната уредба на държавата от ЕС, където е била закупена.



Инструмент от клас II, двойна изолация

Електрическите уреди не трябва да се изхвърлят заедно с битовите отпадъци.



Рециклирайте, където има възможност. Обърнете се за съвет по рециклирането към местните власти или разпространителите.



Гарантираното ниво на шум е 108 dB.



Режим на обдухване



Режим на засмукване



Украински знак за съответствие



EurAsian знак за съответствие

СИМВОЛИ В НАСТОЯЩОТО РЪКОВОДСТВО



Свържете към електрически контакт.



Изключете от електрическия контакт



Забележка



Предупреждение

Следните сигнални думи и значенията им са предназначени да обяснят нивата на опасност, свързани с този продукт.

⚠ ОПАСНОСТ

Указва неминуемо опасна ситуация, която ако не бъде избегната, ще доведе до сериозни наранявания или смърт.

⚠ ПРЕДУПРЕЖДЕНИЕ

Указва потенциално опасна ситуация, която ако не бъде избегната, може да доведе до сериозни наранявания или смърт.

⚠ ВНИМАНИЕ

Указва потенциално опасна ситуация, която ако не бъде избегната, може да доведе до дребни или средни наранявания.

ВНИМАНИЕ

Без предупредителен символ за безопасност

Указва ситуация, която може да доведе до имуществени щети.

В дизайні електричної повітродувки/вакууматора вищий пріоритет наданий безпеці, продуктивності і надійності.

ПРИЗНАЧЕННЯ

Цей продукт призначений тільки для використання на відкритому повітрі.

Продукт не призначений для використання дітьми або особами з обмеженими фізичними, розумовими або сенсорними можливостями.

Продукт призначений для видування і прибирання легкого сміття в тому числі листя, трави та іншого садового непотрібу. Він призначений для вакуумування та невеликого мульчування сміття, та збирання його в мішок. Продукт не призначений, щоб всмоктувати або пилососити воду або інші рідини.

⚠ ПОПЕРЕДЖЕННЯ

При використанні продукту, потрібно дотримуватися правил безпеки. Для вашої власної безпеки та безпеки перехожих, ви повинні прочитати і повністю зрозуміти ці інструкції перед експлуатацією виробу. Будь ласка, збережіть інструкції з безпеки для подальшого використання.

⚠ ПОПЕРЕДЖЕННЯ

Продукт не призначений для використання дітьми або особами з обмеженими фізичними, розумовими або сенсорними можливостями. Потрібно належним чином стежити за дітьми, щоб вони не грали з машиною.

ЗАГАЛЬНІ ЗАХОДИ БЕЗПЕКИ

ПІДГОТОВКА

- Уважно прочитайте інструкцію. Добре ознайомтеся з органами управління та правильним використанням машини.
- Ніколи не дозволяйте дітям, особам з обмеженими фізичними, сенсорними або розумовими здібностями або нестачею досвіду і знань, або незнайомим з

тезами інструкції використовувати продукт. Місцеве законодавство може обмежувати вік оператора.

- Майте на увазі, що оператор або користувач несе відповідальність за нещасні випадки або пошкодження спричинені іншим особам або їх майну.
- Тримайте перехожих, дітей і домашніх тварин на відстані 15м від місця експлуатації. Зупиніть машину, якщо хто-небудь входить в зону.
- Не використовуйте цю машину, якщо ви втомилися, хворі, або під впливом алкоголю, наркотиків або ліків.

ЕЛЕКТРОБЕЗПЕКА

- Вилка живлення електроінструменту повинна відповідати розетці. Ніколи не змінюйте вилку. Не використовуйте ніякі вилки-перехідники з заземленими (замкнутими на землю) електроінструментами. Не змінені вилки та відповідні розетки зменшують ризик ураження електричним струмом.
- Запобігайте випадкового запуску. Перед під'єднанням виробу до електроживлення завжди перевіряйте, щоб перемикач був вимкнений. Не переносьте під'єднаний до електроживлення виріб, тримаючи палець на перемикачі.
- Уникайте контакту тіла з заземленими поверхнями, такими як труби, радіатори, плити та холодильники. Існує підвищений ризик ураження електричним струмом, якщо ваше тіло заземлене.
- Не піддавайте електроінструменти впливу дощу або вологих умов. Вода, що потрапила в електроінструмент збільшує ризик ураження електричним струмом.
- Електроживлення має подаватися через пристрій захисного вимикання (ПЗВ) зі струмом вимикання не більше 30 мА.
- Перед кожним використанням перевіряйте шнур живлення на наявність пошкоджень. Якщо він пошкоджений, замініть негайно. Завжди розкрутити подовжувач при використанні, бо



закручені шнури можуть перегрітися.

- Якщо вам потрібно використовувати подовжувач переконайтеся, що він підходить для використання на відкритому повітрі і має поточний рейтинг потужності достатньо для забезпечення вашого продукту. Подовжувач повинен бути відзначений "H05 RN-F" або "H05 VVF". Перевірте подовжувач перед кожним використанням на ушкодження. Завжди розкрутити подовжувач при використанні, бо закручені шнури можуть перегрітися. Пошкоджені подовжувачі не повинні бути відремontовані; вони повинні бути замінені еквівалентним типом.
- Переконайтеся, що шнур живлення розташований таким чином, що він не може бути пошкоджений ріжучими засобами, ви неможете спіткнутися чи інакше пошкодити його.
- Ніколи не піднімайте та не переносьте виріб за електричний кабель.
- Ніколи не тягніть за шнур живлення, щоб від'єднати виріб від електроживлення.
- Тримайте шнур живлення далеко від тепла, масла і гострих країв.
- Завжди спрямовуйте кабель назад від пристрою.
- Переконайтеся, що напруга відповідає виробу. Напруга виробу вказана на паспортній табличці. Ніколи не під'єднуйте виріб до змін. струму з напругою, які відрізняється від вказаної.
- Перед від'єднанням електроживлення переконайтеся, що перемикач вимкнений.

ПІДГОТОВКА

- У деяких регіонах існують правила, що обмежують використання продукту для деяких операцій. Перевірте з вашим місцевим органом влади для консультацій
- Під час роботи з продуктом, завжди носіть міцне взуття і довгі штани. Не експлуатуйте машину босоніж або у відкритих сандалях. Уникайте носіння

вільно одягу або який має висячі шнури або зв'язки; вони можуть потрапити в рухомі частини.

- Не одягайте вільний одяг або ювелірні прикраси, які можуть бути втягнуті у повітроприймальний отвір.
- Зафіксуйте довге волосся вище рівня плеча, щоб запобігти заплутуванню в будь-яких рухомих частинах.
- Носіть захист органів слуху у весь час, працюючи з продуктом. Продукт дуже шумний і якщо інструкції про обмеження впливу, зниження рівня шуму і захисту органів слуху, не виконуються, це може призвести до безповоротної травми слуху.
- Носіть захист для очей увесь час під час роботи з продуктом. Виробник настійно рекомендує повну маску для обличчя або повністю закриті окуляри. Нормальні окуляри або сонцезахисні окуляри не є адекватним захистом. Об'єкти можуть бути кинуті на високій швидкості потужним струменем повітря в будь-який час і можуть відскочити від жорстких поверхонь до оператора.
- Перед кожним використанням переконайтеся, що всі елементи керування і безпеки функціонують правильно. Не використовуйте машину, якщо вимикач "ВИМК" не зупиняє машину.
- Перед кожним використанням завжди візуально перевіряйте, щоб засоби подрібнення, болти засобів подрібнення та інші кріпильні деталі (якщо вони є) були зафіксовані, корпус не був пошкоджений та захисні пристрої і ручки були на своєму місці.
- Принесіть продукт в авторизований сервісний центр для заміни пошкоджених або нечитасмих етикеток.
- Ніколи не працюйте з продуктом з дефектним захистом або щитками, або без захисних пристроїв, таких як колектор сміття, на місці."
- Тримайте всі повітрозабірники

| |
|-----------|
| EN |
| FR |
| DE |
| ES |
| IT |
| NL |
| PT |
| DA |
| SV |
| FI |
| NO |
| RU |
| PL |
| CS |
| HU |
| RO |
| LV |
| LT |
| ET |
| HR |
| SL |
| SK |
| BG |
| UK |
| TR |



оохолодження вільними від сміття.

- Використовуйте граблі та мітли, щоб полегшити сміття, перш ніж видувати / пилососити.
- Очистіть робочу зону перед кожним використанням. Видаліть всі предмети, такі як камені, розбите скло, цвяхи, дроти або мотузки, які можуть бути відкинуті на значну відстань потужним струменем повітря.
- Використовуйте виріб тільки на твердій, рівній поверхні.

▲ ПОПЕРЕДЖЕННЯ

Перед використанням виробу в режимі вакуумування необхідно з'єднати верхню і нижню вакуумну трубку, як показано на стор 165. Це однократна операція. Ніколи не використовуйте пилосос з встановленою тільки верхньою вакуумною трубкою. Якщо не слідувати цьому попередженню, ризик травми значно підвищується.

ФУНКЦІОНУВАННЯ

- Якщо шнур пошкоджений під час використання, негайно вийміть шнур живлення з мережі. **Не торкайтеся шнура перед відключенням від подачі.** Не використовуйте продукт, якщо шнур пошкоджений або зношений.
- Використовуйте продукт тільки в розумні години - не рано вранці або пізно вночі, коли люди можуть бути стривожені.
- Не використовуйте виріб у вибухонебезпечній атмосфері.
- Уникайте використання продукту в поганих погодних умовах, особливо, коли є ризик удару блискавки.
- Не використовуйте при поганому освітленні. Оператор потрібне чіткий огляд робочої області, щоб визначити потенційні небезпеки.
- Використання захисту органів слуху знижує здатність чути попередження (крики або сигнали тривоги). Оператор повинен звернути особливу увагу на те,

що відбувається в робочій зоні.

- Не відволікайтеся, і завжди концентруйтеся на завданні. Ретельно продумуйте та розраховуйте ефект ваших дій.
- Операції з аналогічними інструментами неподалік збільшує ризик травми слуху і можливість потрапляння інших осіб у робочу зону.
- Тримайте міцну опору і рівновагу. Не тягніться. Намагання дотягнутися можуть призвести до втрати рівноваги.
- Завжди будьте впевнені в опорі на схилах. Ходіть, ніколи не бігайте.
- Тримайте всі частини вашого тіла подалі від рухомої частини. Обертання лез робочого колеса може призвести до серйозних травм. Перед тим, як відкривати кришку вентилятора, встановлювати або замінювати трубки, або відкривати або видаляти сміттевий мішок, вимкніть виріб та переконайтеся, що лопаті імPELLера зупинилися.
- Ніколи не запускайте продукт без встановленого належного обладнання. При використанні в якості воздуходувки, завжди установіть труби повітродувки і закрийте вакуумні двері. При використанні в якості пилососа, завжди установлюйте обидві вакуумні трубки і мішок колектора сміття.
- Не змінюйте машину будь-яким чином та не використовуйте деталі та приладдя, не рекомендовані виробником.

▲ ПОПЕРЕДЖЕННЯ

Якщо продукт впав, постраждав від важкого впливу або починає вібрувати, негайно зупиніть обладнання та перевірте на наявність пошкоджень або визначте причину вібрації. Будь-яке пошкодження має бути правильно відремонтовано або замінено в авторизованому сервісному центрі.

- Щоб знизити ризик отримання травми, пов'язаної з контактом з обертовими

частинами, завжди зупиніть продукт, роз'єднуйте від джерела живлення, переконайтеся, що всі рухомі частини зупинилися:

- перед чищенням або перед усуненням забивання
- коли залишаєте продукт без нагляду
- перед встановленням або зняттям приладдя
- перед перевіркою, обслуговуванням, або роботою над продуктом
- для перевірки виробу на наявність пошкоджень після ударів по стороннім предметам
- якщо машина починає аномально вібрувати (перевірте відразу)

⚠ ПОПЕРЕДЖЕННЯ

Повітродувка/вакууматор може постачатися з ременем. Ретельно відрегулюйте ремінь, який допоможе вам утримати вагу виробу.

Ідентифікуйте механізм швидкого вивільнення та попрактикуйтеся у його використанні, перш ніж почати використовувати продукт. Його правильне використання може запобігти серйозним травмам в разі виникнення надзвичайної ситуації. Ніколи не носіть додатковий одяг зверху ременів або інакшим чином не обмежуйте доступ до механізму швидкого вивільнення.

ТЕХНІКА БЕЗПЕКИ ПРИ РОБОТІ З ПОВІТРОДУВКОЮ

- Носіть фільтруючу маску для обличчя в запиленних умовах, щоб знизити ризик травми, пов'язаної з вдиханням пилу.
- Не спрямовуйте сопло повітродувки в напрямку людей або домашніх тварин.
- Ніколи не вставляйте предмети всередину труб повітродувки.
- Не використовуйте виріб поблизу відкритих вікон.
- Злегка змочіть поверхню в запиленних умовах.

- Використовуйте повне розширення сопла воздуходувки так, щоб потік повітря міг працювати близько до землі і ефективно.
- Не ставте вентилятор на верху або поблизу уламків та сміття. Сміття може всмоктатися в повітрозабірник, в результаті чого можливе пошкодження виробу.

ТЕХНІКА БЕЗПЕКИ ПРИ РОБОТІ ВАКУУМАТОРА

⚠ ПОПЕРЕДЖЕННЯ

Ніколи не використовуйте пилосос з встановленою тільки верхньою вакуумною трубкою. Якщо не слідувати цьому попередженню, ризик травми значно підвищується.

- Не використовуйте пилосос без встановленого мішка колектора сміття; летючі уламки можуть призвести до серйозних травм. Перед роботою переконайтеся, що вакуумний мішок повністю застібнутий блискавкою.
- Переміщайте пилосос з боку в бік уздовж зовнішнього краю сміття. Щоб уникнути засмічення, не встановлюйте вакуумну трубку прямо в купу сміття.
- Утримуйте двигун вище, ніж вхідний кінець вакуумної трубки.
- При роботі на схилі завжди направляйте вакуумну трубку вниз.
- Щоб уникнути серйозної травми оператора або пошкодження виробу, не намагайтеся пилососити камені, бите скло, пляшки, або схожі об'єкти.
- Уникайте ситуацій, які можуть призвести до пожежі у мішку колектора сміття. Не використовуйте поблизу відкритого вогню. Не пилососьте теплу золу з камінів і шашличні. Не пилососьте кинуті сигари або сигарети, якщо попіл повністю не охолонув.

ТРАНСПОРТУВАННЯ ТА ЗБЕРІГАННЯ

- Зупиніть продукт, роз'єднуйте від джерела живлення і дозволять охолонути перед зберіганням або транспортуванням.
- Очистіть всі сторонні матеріали з продукту. Зберігайте його в сухому прохолодному і добре провітрюваному місці, недоступному для дітей. Зберігати подалі від агресивних агентів, таких як садові хімікати і солей проти обледеніння. Не зберігайте на відкритому повітрі.
- Для транспортування, забезпечіть машину від руху або падіння, щоб запобігти травми людей або пошкодження машини.

ОБСЛУГОВУВАННЯ

⚠ ПОПЕРЕДЖЕННЯ

Використовуйте тільки оригінальні запасні частини, аксесуари та обладнання від виробника. Невиконання цієї вимоги може привести до можливої травми, поганої продуктивності та може привести до втрати гарантії.

⚠ ПОПЕРЕДЖЕННЯ

Обслуговування вимагає крайньої обережності і знання і повинно бути виконане тільки кваліфікованим фахівцем. Для обслуговування, ми пропонуємо вам повернути продукт в найближчий авторизований сервісний центр для ремонту. При обслуговуванні використовуйте тільки ідентичні запасні частини.

- Ви можете зробити регулювання та ремонт, описані в цьому посібнику користувача. Для інших ремонтних робіт, зверніться до авторизованого сервісного агента.
- Після кожного використання, очистіть виріб м'якою сухою тканиною.
- Перевірте всі гайки, болти і гвинти після короткого проміжка часу на правильну

герметичність, щоб забезпечити продукт у безпечному робочому стані. Будь-яка пошкоджена деталь, має бути правильно відремонтована або замінена в авторизованому сервісному центрі.

- Ніколи не намагайтеся подолати блокування захисного пристрою.

ЗАЛИШКОВІ РИЗИКИ

Навіть коли продукт використовується як написано, залишається неможливим повністю усунути деякі залишкові чинники ризику. Наступні небезпеки можуть виникнути і оператор повинен звернути особливу увагу, щоб уникнути наступного:

- Травми, викликані вібрацією Завжди використовуйте правильний інструмент для роботи. Використовуйте призначені ручки і обмежіть час роботи і вплив.
- Вплив шуму може призвести до пошкодження слуху. Користуйтеся засобами захисту слуху і обмежіть вплив.
- Можна отримати травми від об'єктів, що літають від подуву повітряного потоку трубки або вакуумного вихлопу, якщо сумка для збирання сміття не встановлена або пошкоджена. Увесь час носить захист для очей.

ЗНИЖЕННЯ РИЗИКУ

Відомі випадки, коли вібрація від ручних інструментів сприяє появі так званого синдрому Рейно. Симптоми можуть включати поколювання, оніміння і збліднення пальців, як правило, очевидні при впливі холоду. Спадкові фактори, вплив холоду і вогкості, дієта, куріння і робоча практика, всі ці чинники роблять свій внесок у розвиток цих симптомів. Ці заходи можуть бути прийняті оператором, щоб можливо зменшити вплив вібрації:

- Тримайте тіло в теплі в холодну погоду. При експлуатації приладу, одягайте рукавички, щоб тримати руки і зап'ястя у теплі. Повідомлялося, що холодна погода є основним чинником, що сприяє синдрому Рейно.

- Після кожного періоду роботи, здійсніть вправи для підвищення кровообігу.
- Робіть часті перерви в роботі. Зробіть обмеження кількості впливу на день.

Якщо ви відчуваєте будь-які з симптомів цього стану, негайно припиніть використання і зверніться до лікаря з ціми симптомами.

⚠ ПОПЕРЕДЖЕННЯ

Тривале використання інструменту може викликати або посилити травми. При використанні інструменту протягом тривалого періоду, робіть регулярні перерви.

ЗНАЙТЕ СВІЙ ПРОДУКТ.

Дивіться сторінку 164.

1. Кришка вентилятора
2. Верхня вакуумна трубка
3. Нижня вакуумна трубка
4. Направляючі колеса
5. Сопло високої швидкості
6. Нижня видувача труба
7. Верхня видувача труба
8. Вакуумний мішок
9. Адаптер сумки
10. Важіль вибору режиму повітродувка / пилосос
11. Передня ручка
12. Перемикач швидкості
13. Задня ручка
14. Тригер Увімкнено/Вимкнено

СИМВОЛИ НА ПРОДУКТІ



Читайте і зрозумійте всі інструкції перед експлуатацією виробу, дотримуйтесь всіх вказівок і попереджень з техніки безпеки.



Остерігайтеся кинутих або літаючих об'єктів. Тримайте всіх перехожих, особливо дітей і домашніх тварин, принаймні 15 м від робочої зони.



Ротаційні вентилятори. Тримайте руки і ноги подалі від отворів у той час як продукт працює.



Носіть захист слуху



Носіть захист для очей



Не піддавайте впливу дощу або вологих умов.



Перед чищенням або технічним обслуговуванням вимкніть пристрій та від'єднайте вилку від розетки



Перед технічним обслуговуванням, або якщо кабель пошкоджений або перерізаний, негайно від'єднайте вилку від розетки.



Відповідає всім нормативним стандартам в країнах ЄС, де виріб було придбано.



Інструмент II класу, подвійна ізоляція



Відходи електротехнічної продукції не слід викидати разом із побутовими відходами. Будь ласка, переробляйте там, де наявне устаткування. Перевірте з вашим місцевим органом влади або продавцем для консультації з приводу переробки.



Гарантований рівень
звукової потужності 108 дБ.



Режим повітродувки



Режим пилососа



Український знак
відповідності



Євразійський знак
відповідності

СИМВОЛИ В ЦЬОМУ КЕРІВНИЦТВІ



Підключення до електричної
розетки.



Відключення від електричної
розетки.



Примітка



Попередження

Наступні сигнальні слова і змісти призначені для пояснення рівнів ризику, пов'язаних з продуктом.

НЕБЕЗПЕКА

Вказує на неминуче небезпечну ситуацію, яка, якщо її не уникнути, може призвести до смерті або серйозних травм.

ПОПЕРЕДЖЕННЯ

Вказує на потенційно небезпечну ситуацію, яка, якщо її не уникнути, може призвести до смерті або серйозних травм.

ПОПЕРЕДЖЕННЯ

Вказує на потенційно небезпечну ситуацію, яка, якщо її не уникнути, може призвести до середньої або легкої травми.

ПОПЕРЕДЖЕННЯ

Без попереджуючих символів
Вказує на ситуацію, яка може призвести до пошкодження майна.

Elektrikli yaprak toplama/üfleme makinenizin tasarımında güvenlik, performans ve güvenilirliğe en yüksek öncelik verilmiştir.

KULLANIM AMACI

Bu ürün sadece açık alanda kullanıma yöneliktir.

Bu ürün çocuklar veya fiziksel, zihinsel veya duyuşsal becerileri kısıtlı kişiler tarafından kullanıma uygun değildir.

Bu ürün yaprak, ot ve diğer bahçe süprüntüleri de dahil hafif artıkları üfleterek temizlemeye yöneliktir. Birikintileri toplayıp hafifçe malçlamaya ve toplama torbasında biriktirmeye yöneliktir. Suyu veya diğer sıvıları emmek veya toplamak için tasarlanmamıştır.

⚠ UYARI

Bu ürünü kullanırken güvenlik kurallarına uyulmalıdır. Kendi güvenliğiniz ve çevrenizdeki kişilerin güvenliği için ürünü kullanmadan önce bu talimatları tamamen okumalı ve anlamalısınız. Lütfen bu talimatları daha sonra kullanmak üzere güvenli bir yerde saklayın.

⚠ UYARI

Bu ürün çocuklar veya fiziksel, zihinsel veya duyuşsal becerileri kısıtlı kişiler tarafından kullanıma uygun değildir. Ürünle oynamadıklarından emin olmak için çocuklara uygun şekilde nezaret edilmelidir.

GENEL GÜVENLİK UYARILARI

EĞİTİM

- Talimatları dikkatlice okuyun. Ürünün kontrollerini ve nasıl doğru şekilde kullanılacağını öğrenin.
- Hiçbir zaman çocukların, fiziksel, duyuşsal veya zihinsel becerileri kısıtlı veya tecrübesiz ve bilgisi yetersiz kişilerin veya bu talimatları bilmeyen insanların bu ürünü kullanmasına izin vermeyin. Yerel yönetmelikler kullanıcının yaşına kısıtlama getirebilir.
- Kazalardan ve diğer insanlara veya mallarına zarar verebilecek tehlikelerden kullanıcının sorumlu olduğunu unutmayın.
- Çevrenizdeki kişileri, çocukları ve evcil

hayvanları çalışma alanından 15 m uzaklaştırın. Eğer herhangi biri bu alana girse ürünü durdurun.

- Ürünü hiçbir zaman yorgunken, hastayken veya alkol, uyuşturucu veya ilaç etkisi altındayken kullanmayın.

ELEKTRİKSEL GÜVENLİK

- Elektrik fişleri prize uygun olmalıdır. Fişi hiçbir zaman hiçbir şekilde değiştirmeyin. Topraklı elektrikli aletlerle birlikte herhangi bir adaptörlü fiş kullanmayın. Üzerinde değişiklik yapılmayan fişler ve uygun prizler elektrik çarpması riskini azaltır.
- Kazara çalıştırılmasını önleyin. Ürünü güç kaynağına takmadan önce her zaman anahtarın Kapalı konumda olduğunu kontrol edin. Fişe takılı bir ürünü parmağınız anahtarın üzerindeyken taşımayın.
- Vücudunuzla borular, radyatörler, kuzine ve buzdolabı gibi topraklı ürünlere temas etmekten kaçının. Vücudunuz topraklarsa yüksek elektrik çarpması riski mevcuttur.
- Ürünü yağmura veya ıslak koşullara maruz bırakmayın. Cihaz su girmesi elektrik çarpması riskini artırır.
- Elektrik gücü 30 mA'yı geçmeyen trip akımına sahip bir artık akım cihazı (RCD) ile sağlanmalıdır.
- Her kullanım öncesinde güç kablosunu hasara karşı kontrol edin. Zarar görmüşse derhal değiştirin. Kullanım sırasında güç kablosunu her zaman açın; sarılmış kablolar aşırı ısınabilir.
- Bir uzatma kablosu kullanmanız gerekirse açık alanda kullanıma uygun olduğundan ve aletinizi beslemek için yeterli akım kapasitesi derecesine sahip olduğundan emin olun. Uzatma kablosu "H05 RN F" veya "H05 VV F" olarak işaretlenmiş olmalıdır. Her kullanım öncesi uzatma kablosunu hasara karşı kontrol edin. Sarılmış kablolar aşırı ısınabileceğinden kullanım sırasında uzatma kablosunu her zaman açın. Zarar görmüş uzatma kabloları onarılmamalıdır, muadiliyle değiştirilmesi gerekir.
- Güç kablosunun üzerine basmayacağınız, takılıp düşmeyeceğiniz veya başka bir hasara veya strese maruz kalmayacağı şekilde yerleştirildiğinden emin olun.
- Ürünü hiçbir zaman elektrik kablosundan kaldırmayın veya taşımayın.

- Hiçbir zaman güç kaynağından ayırmak için güç kablosundan çekmeyin.
- Güç kablosunu ısı, yağ ve keskin kenarlı nesnelere uzak tutun.
- Kabloyu her zaman üründen uzağa, arkaya doğru yerleştirin.
- Voltajın ürününüz için doğru olduğundan emin olun. Ürün üzerinde bulunan bir isim levhası ünitenin voltajını gösterir. Ürünü hiçbir zaman bu voltajdan farklı bir AC voltajına bağlamayın.
- Güç kaynağından ayırmadan önce anahtarın Kapalı konumunda olduğundan emin olun.

HAZIRLIK

- Bazı bölgeler ürünün bazı çalışmalarda kullanımına kısıtlamaya getiren yönetmeliklere sahiptir. Tavsiye için bölgenizdeki yetkili merciyeye başvurun.
- Ürünü kullanırken her zaman dayanıklı ayakkabılar ve uzun pantolon giyin. Ürünü çıplak ayakla veya üstü açık terlik giyerken kullanmayın. Üzerinize bol olan veya iplerin veya bağcıkların sarktığı kıyafetler giymekten kaçının; hareketli parçalara yakalanabilirler.
- Hava girişinin içine çekilebilecek bol kıyafetler giymeyin veya takı takmayın.
- Saçlarınız uzunsa hareketli parçalara dolaşmasını önlemek için omuz seviyesinin üzerinde toplayın.
- Ürünü kullanırken her zaman kulak tıkacı takın. Bu ürün son derece gürültüldür ve eğer maruz kalma sürenizi sınırlandırma, gürültüyü azaltma ve kulak tıkacı takma önlemlerine sıkı bir şekilde uyulmazsa kalıcı işitme kaybına neden olabilir.
- Bu ürünü kullanırken her zaman siperli koruyucu gözlük takın. Üretici tam yüz maskesinin veya tamamen kapalı gözlüklerin kullanılmasını şiddetle önermektedir. Normal gözlükler veya güneş gözlükleri uygun koruma sağlamaz. Güçlü hava jeti nedeniyle nesnelere her zaman yüksek hızda fırlayabilir ve sert yüzeylerden kullanıcıya doğru sekebilir.
- Her kullanım öncesi tüm kontrollerin ve güvenlik cihazlarının doğru şekilde çalıştığından emin olun. Eğer “kapalı” anahtarı ürünü durdurmuyorsa ürünü kullanmayın.
- Her kullanım öncesi öğütme araçları, öğütme araçlarının cıvataları ve diğer tespit elemanlarının (varsa) sıkı olduğunu, gövdenin hasar görmediğini ve korumaların ve kolların yerine doğru şekilde oturduğunu her zaman görsel olarak kontrol edin.
- Zarar görmüş veya okunmaz durumdaki etiketleri değiştirmek için yetkili bir servis merkezine gönderin.
- Ürünü hiçbir zaman kusurlu korumalar veya siperlerle birlikte veya güvenlik cihazları, örneğin artık toplayıcı, yerinde değilken kullanmayın.
- Tüm soğuk hava girişlerini birikintiden temizleyin.
- Üflemeden/toplamadan önce birikintiyi gevşetmek için tırmık ve süpürge kullanın.
- Her kullanım öncesi çalışma alanını temizleyin. Yüksek hızlı hava nedeniyle oldukça uzak mesafelere üflenebilecek taş, kırık cam, çivi, tel veya ip gibi tüm nesnelere temizleyin.
- Ürünü sadece sağlam, düz bir yüzey üzerinde kullanın.

⚠ UYARI

Ürünü toplama modunda kullanmadan önce üst ve alt vakum boruları sayfa 165’de gösterildiği gibi birlikte monte etmelisiniz. Bu tek seferlik bir çalışmadır. Toplama modunu hiçbir zaman sadece üst vakum borusu takılı hâlde kullanmayın. Bu uyarıya uymazsanız fiziksel yaralanma riski son derece yüksektir.

KULLANIM

- Eğer kablo kullanım sırasında zarar görürse kabloyu derhal güç kaynağından ayırın. **Güç kaynağını ayırmadan önce kabloya dokunmayın.** Eğer kablo zarar görmüş veya aşınmışsa ürünü kullanmayın.
- Ürünü sadece makul saatlerde kullanın – insanların rahatsız olabileceği sabah çok erken veya gece geç saatlerde kullanmayın.
- Ürünü hiçbir zaman patlayıcı atmosferde kullanmayın.
- Ürünü kötü hava koşullarında, özellikle yıldırım düşme riski varken kullanmaktan kaçının.

- Kötü aydınlatmalı koşullarda kullanmayın. Kullanıcının potansiyel tehlikeleri belirlemesi için çalışma alanını net olarak görmesi gerekir.
- Kulak tıkacı kullanımı uyarıları (sesler veya aralmlar) duyma kabiliyetinizi azaltır. Kullanıcı çalışma alanında yapılan işe ekstra dikkat etmelidir.
- Dikkatinizi dağıtacak şeylerden kaçının ve yaptığınız işe konsantre olun. Eylemlerinizin sonuçlarını düşünün ve dikkatli bir şekilde değerlendirin.
- Yakında benzer aletler kullanmak hem işitme kaybı riskini hem de diğer insanların çalıştığı alana girme riskini artırır.
- Yere sağlam basın ve dengede durun. Yukarıya doğru erişmeye çalışmayın. Yukarıya erişmeye çalışmak dengeyi kaybetmenize neden olabilir.
- Eğimli yerlerde yere her zaman sağlam bastığınızdan emin olun. Yürüyün, hiçbir zaman koşmayın.
- Vücudunuzun tüm uzuvlarını hareketli parçalardan uzak tutun. Dönen pervane kanatları ciddi yaralanmalara neden olabilir. Ürünü durdurun ve fan kapağını açmadan, boruları değiştirmeden veya artık torbasını açmadan veya çıkarmadan önce pervane kanatlarının dönmesinin durduğundan emin olun.
- Ürünü hiçbir zaman uygun ekipmanlar takılmadan çalıştırmayın. Bir üfleme makinesi olarak kullanıldığında her zaman üfleme borularını takın ve fan kapağını kapatın. Bir toplama makinesi olarak kullanıldığında her zaman vakum borularını ve vakum torbasını takın.
- Üründe herhangi bir değişiklik yapmayın veya üretici tarafından önerilmeyen parçalar ve aksesuarlar kullanmayın.

⚠ UYARI

Eğer ürün düşerse, ağır darbe alırsa veya anormal şekilde titremeye başlarsa ürünü derhal durdurun ve hasara karşı inceleyin veya titreşimin nedenini belirleyin. Her tür hasar yetkili servis merkezi tarafından uygun şekilde onarılmalı veya değiştirilmelidir.

- Döner parçalara temastan kaynaklanan yaralanma riskini azaltmak için aşağıdaki durumlarda her zaman ürünü durdurun,

şebeke gücünden ayırın ve tüm hareketli parçaların durduğundan emin olun:

- temizlik yapmadan veya bir tıkanıklığı açmadan önce
- ürün gözetimsiz bırakıldığında
- ek parçaları takmadan veya sökmeden önce
- ürünü kontrol etmeden, bakım veya başka bir çalışma yapmadan önce
- yabancı bir nesne çarptıktan sonra ürünü hasara karşı incelemek için
- eğer ürünler anormal şekilde titremeye başlarsa (derhal inceleyin)

⚠ UYARI

Toplam/üfleme makineniz bir kayış tertibatı ile birlikte sağlanabilir. Kayış tertibatını ürünün ağırlığını desteklemenizde rahatça yardımcı olacak şekilde ayarlayın.

Hızlı serbest bırakma mekanizmasını tanıyın ve ürünü kullanmaya başlamadan önce bunu kullanarak pratik yapın. Doğru şekilde kullanılması acil bir durumda ciddi yaralanmaları önleyebilir. Hiçbir zaman kayış tertibatının üzerine ek kıyafet giymeyin, aksi hâlde hızlı serbest bırakma mekanizmasına erişim kısıtlanabilir.

ÜFLEYİCİ GÜVENLİK UYARILARI

- Tozlu koşullarda tozun solunmasıyla ilişkili yaralanma riskini azaltmak için filtreli bir yüz maskesi takın.
- Üfleme düzesini insanlara veya evcil hayvanlara doğru tutmayın.
- Üfleme borularının içine hiçbir zaman hiçbir nesne koymayın.
- Ürünü açık pencerelerin vb. yanında kullanmayın.
- Tozlu koşullarda yüzeyleri hafifçe nemlendirin.
- Hava akışının yere yakın şekilde çalışması için üfleme düzesini yam uzatarak kullanın.
- Üfleme düzesini gevşek birikintinin üzerine veya yakınına koymayın. Birikinti hava girişinden emilebilir ve olası ürün hasarına neden olabilir.

VAKUM GÜVENLİK UYARILARI

⚠ UYARI

Toplama modunu hiçbir zaman sadece üst vakum borusu takılı hâlde kullanmayın. Bu uyarıya uymazsanız fiziksel yaralanma riski son derece yüksektir.

- Vakumu vakum torbası tertibatı takılı değilken kullanmayın; fırlayan birikintiler ciddi yaralanmalara neden olabilir. Vakum torbasının fermuarının tamamen çekildiğinden veya kullanmadan önce kapatıldığından emin olun.
- Vakumu birikintinin dış kenarı boyunca yandan yana doğru hareket ettirin. Tıkanmasını önlemek için vakum borusunu doğrudan birikinti yığınının içine yerleştirmeyin.
- Motoru vakum borusunun giriş ucundan daha yukarıda tutun.
- Bir yamaç üzerinde çalışırken vakum borusunu her zaman bayır aşağı doğru tutun.
- Kullanıcıda ciddi yaralanmaları veya ürün hasarını önlemek için taş, kırık cam, şişe veya diğer benzer nesnelere toplamaya çalışmayın.
- Vakum torbasında yangına neden olabilecek durumları önleyin. Açık alevin yakınında kullanmayın. Yanan yerdeki, mangaldaki vb. sıcak külleri toplamayın. Kül tamamen soğuyana kadar atılan sigaraları toplamayın.

TAŞIMA VE DEPOLAMA

- Ürünü durdurun, şebeke gücünden ayırın ve depolamadan veya taşımadan önce soğumasını bekleyin.
- Üründeki tüm yabancı maddeleri temizleyin. Çocukların erişemeyeceği serin, kuru ve iyi havalandırılan bir yerde depolayın. Bahçe kimyasalları ve buz çözücü tuzlar gibi korozif maddelerden uzak tutun. Açık alanda depolamayın.
- Taşınacağı zaman insanların yaralanmasını veya ürünün zarar görmesini önlemek amacıyla ürünü hareket etmemesi veya düşmemesi için sabitleyin.

BAKİM

⚠ UYARI

Sadece orijinal üreticinin yedek parçalarını, aksesuarlarını ve ek parçalarını kullanın. Aksi hâlde olası yaralanmalara, zayıf performansla neden olabilir ve garantinizi geçersiz kılabilir.

⚠ UYARI

Servis çalışması en yüksek düzeyde dikkat ve bilgi gerektirir ve sadece nitelikli bir servis teknisyeni tarafından yapılmalıdır. Servis için ürünün onarım amacıyla size en yakın yetkili servis merkezi'ne göndermenizi öneriyoruz. Servis yapılırken sadece aynı yedek parçaları kullanın.

- Burada açıklanan ayar ve onarım çalışmalarını yapabilirsiniz. Diğer onarımlar için yetkili servis temsilcisini arayın.
- Her kullanım sonrası ürünü yumuşak ve kuru bir bezle temizleyin.
- Ürünün güvenli çalışma durumunda olduğundan emin olmak için tüm somunların, civataların ve vidaların doğru sıklıkta sık aralıklarla takıldığını kontrol edin. Hasarlı her tür parça yetkili servis merkezi tarafından uygun şekilde onarılmalı veya değiştirilmelidir.
- Korumanın geçmeli kilit özelliğini hiçbir zaman geçersiz kılmaya çalışmayın.

ARTIK RİSKLER

Ürün belirtilen şekilde kullanıldığında bile belirli artık risk faktörlerini tamamen ortadan kaldırmak mümkün değildir. Kullanım sırasında aşağıdaki tehlikeler ortaya çıkabilir ve kullanıcının aşağıdaki durumları önlemek için özellikle dikkatli olması gerekir:

- Titreşim nedeniyle yaralanma. İş için her zaman doğru aleti kullanın. Belirtilen kulpları kullanın ve çalışma ve maruz kalma süresini sınırlandırın.
- Gürültüye maruz kalma nedeniyle işitme kaybı meydana gelebilir. Kulak tıkacı takın ve maruz kalma süresini sınırlandırın.
- Eğer torba takılmamışsa veya zarar görmüşse üfleme borusu hava akımı veya vakum egzozundan fırlayan nesnelere nedeniyle yaralanma. Her zaman uygun

kulak tıkacı takın.

RİSK AZALTMA

El aletlerinden kaynaklanan titreşimlerin belirli kişilerde Raynaud Sendromu adı verilen bir durumu etkilediği bildirilmiştir. Semptomlar içerisinde parmaklarda genellikle soğuğa maruz kaldığında açığa çıkan karıncalanma, hissizlik ve ağrı yer bulunabilir. Kalıtsal faktörler, soğuğa ve neme maruz kalma, diyet, sigara içme ve çalışma uygulamalarının hepsinin bu semptomların gelişimini etkilediği düşünülmektedir. Titreşim etkilerini azaltmak için kullanıcı tarafından alınabilecek önlemler vardır:

- Soğuk havada vücut ısınızın koruyun. Ürünü kullanırken ellerinizi ve bileklerinizi sıcak tutmak için eldiven giyin. Soğuk havanın Raynaud Sendromu'nu etkileyen önemli bir faktör olduğu bildirilmiştir.
- Her kullanım süresinden sonra kan dolaşımını artırmak için egzersiz yapın.
- Sık çalışma molası verin. Günlük maruz kalma miktarını sınırlayın.

Eğer bu durumla ilgili herhangi bir semptom görürseniz çalışmayı derhal bırakın ve doktorunuza başvurun.

⚠ UYARI

Ürünün uzun süre kullanılması nedeniyle yaralanmalar meydana gelebilir veya kötüleşebilir. Herhangi bir alet uzun süre kullanıldığında düzenli molalar verdiğinizden emin olun.

ÜRÜNÜNÜZÜ TANIYIN

Bkz. sayfa 164.

1. Fan kapağı
2. Üst vakum borusu
3. Alt vakum borusu
4. Kılavuz tekerlekler
5. Yüksek hızlı düze
6. Alt üfleme borusu
7. Üst üfleme borusu
8. Vakum torbası
9. Torba bağlantı elemanı
10. Üfleme/toplama modu seçim kolu
11. Ön Kulp
12. Hız seçici
13. Arka Kulp
14. Açma/Kapama tetiği

ÜRÜN ÜZERİNDEKİ SEMBOLLER



Ürünü kullanmadan önce tüm talimatları okuyun ve anlayın, tüm uyarılara ve güvenlik talimatlarına uyun.



Fırlayan ve sıçrayan nesnelere dikkat edin. Üçüncü şahısları, özellikle çocukları ve evcil hayvanları çalışma alanından en az 15 m uzakta tutun.



Döner fanlar. Ellerinizi ve ayaklarınızı ürün çalışırken açık kısımlardan uzak tutun.



Kulak tıkacı takın.



Koruyucu gözlük takın.



Ürünü yağmura veya nemli koşullara maruz bırakmayın.



Kapatın: temizlemeden veya bakım yapmadan önce fişi şebeke gücünden ayırın



Bakım çalışmasından önce veya kablo hasar görmüşse veya kesilmişse fişi şebeke gücünden derhal ayırın.



Ürünün satın alındığı AB ülkesindeki tüm düzenleyici standartlara uygundur.



Sınıf II alet, çift yalıtımlı



Atık elektrikli ürünler evsel atıklarla birlikte atılmamalıdır. Lütfen tesislerin mevcut olduğu yerlerde geri dönüştürün. Geri dönüşüm tavsiyesi için bölgenizdeki yetkili mercie veya satıcıya başvurun.



Güvenceli ses gücü seviyesi bu etikette 108 dB olarak gösterilmektedir.



Üfleme modu



Toplama modu



Ukrayna uygunluk işareti.



EurAsian Uygunluk İşareti

BU KILAVUZDAKİ SEMBOLLER



Elektrik fişine bağlayın.



Elektrik fişinden ayırın.



Not



Uyari

Aşağıdaki işaret sözcükler ve anlamları bu ürünle ilişkili risk seviyelerinin açıklanmasına yöneliktir.

⚠ TEHLİKE

Önlenmemesi durumunda ölüm veya ciddi yaralanma ile sonuçlanacak ciddi tehlike içeren bir durumu gösterir.

⚠ UYARI

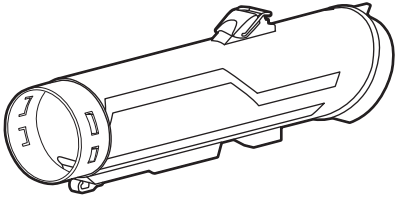
Önlenmemesi durumunda ölüm veya ciddi yaralanma ile sonuçlanabilecek potansiyel olarak tehlikeli bir durumu gösterir.

⚠ İKAZ

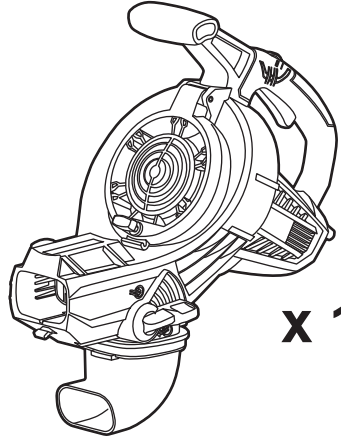
Önlenmemesi durumunda önemsiz veya orta derece yaralanma ile sonuçlanabilecek potansiyel olarak tehlikeli bir durumu gösterir.

İKAZ

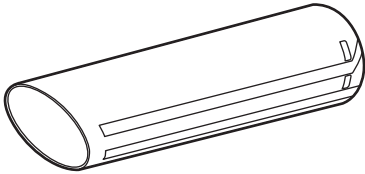
Güvenlik uyarısı sembolü olmadığında Maddi hasarla sonuçlanabilecek bir durumu gösterir.



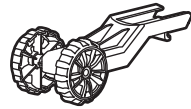
x 1



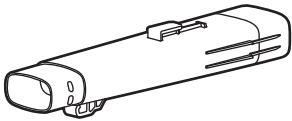
x 1



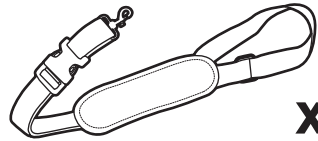
x 1



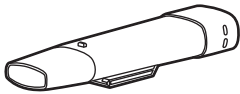
x 1



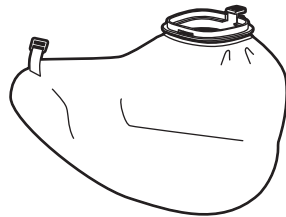
x 1



x 1



x 1



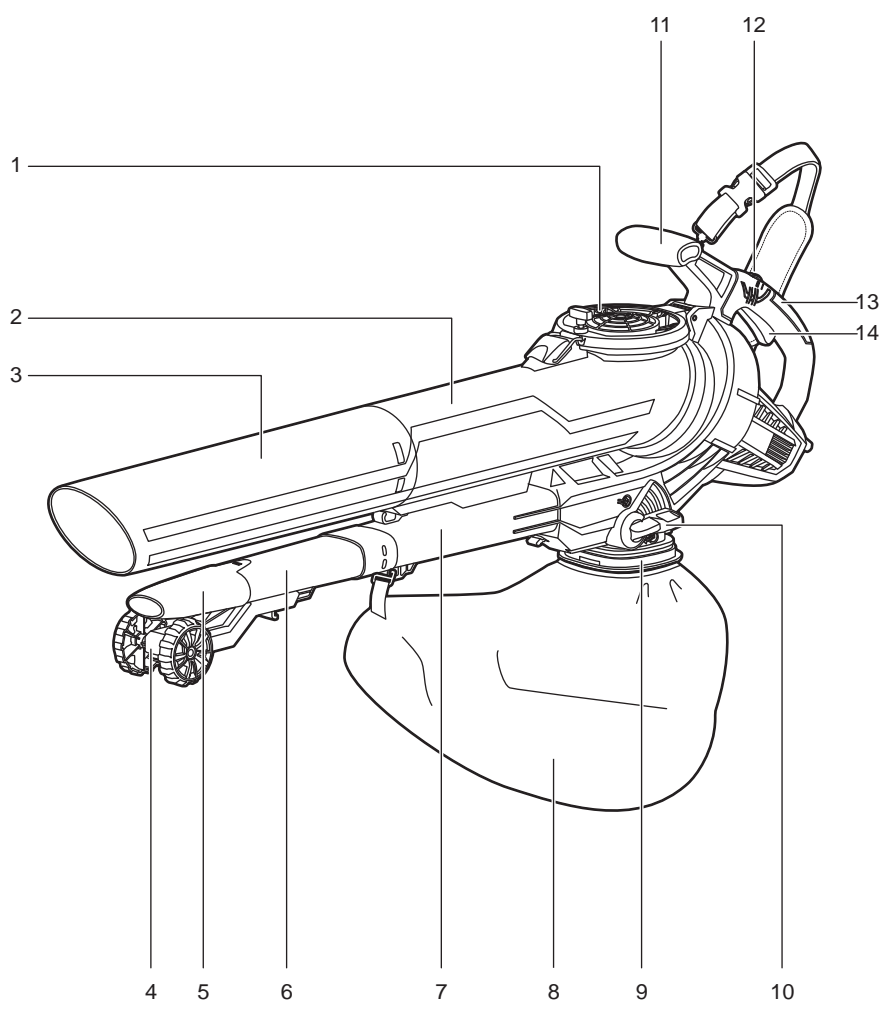
x 1

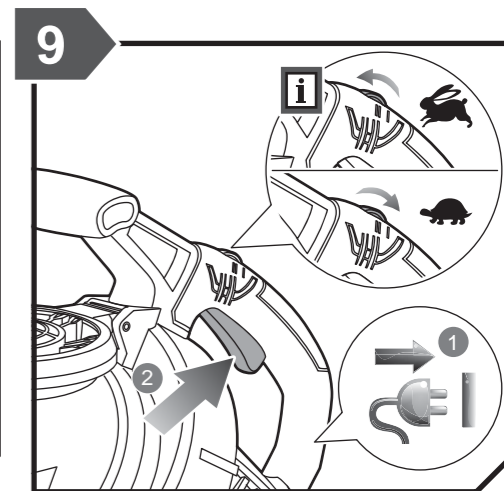
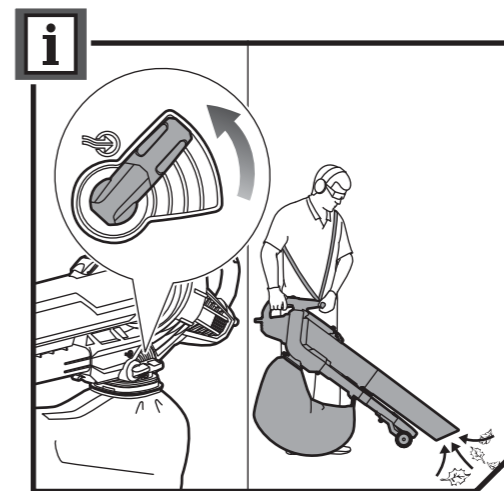
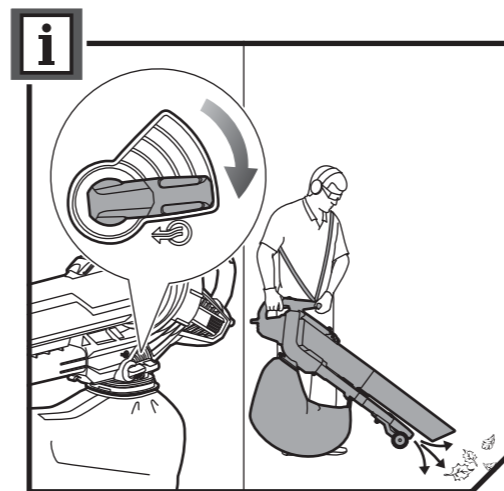
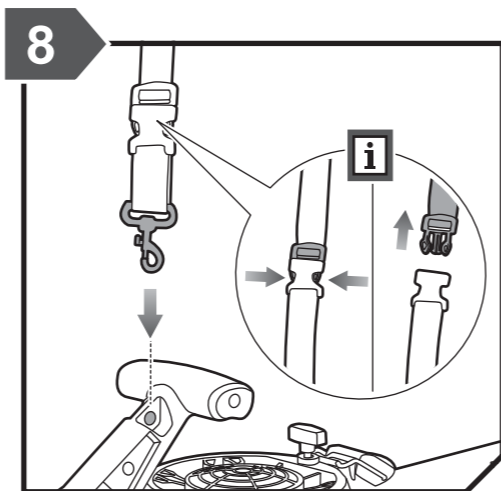
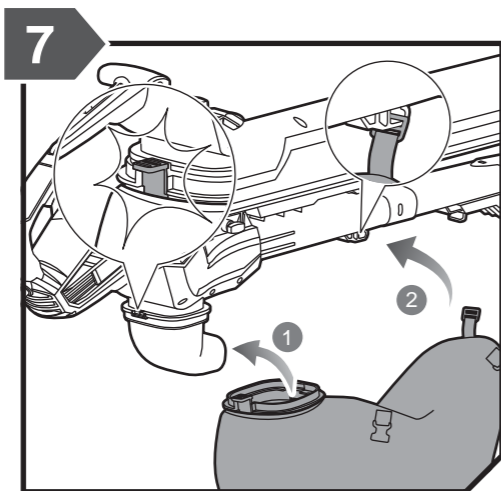
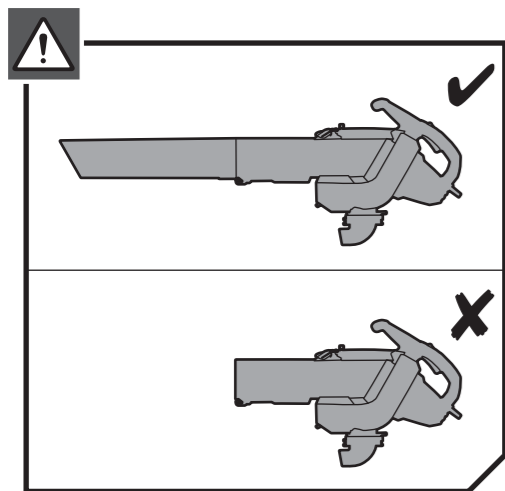
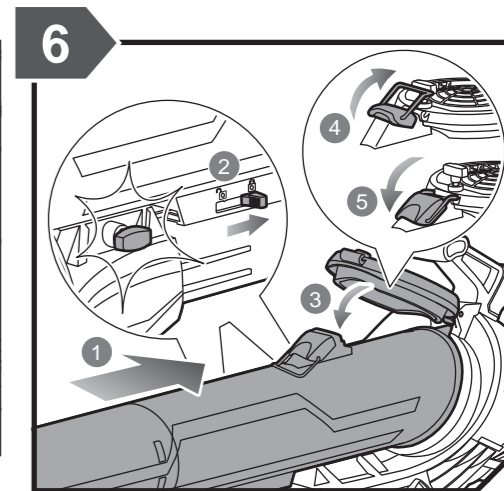
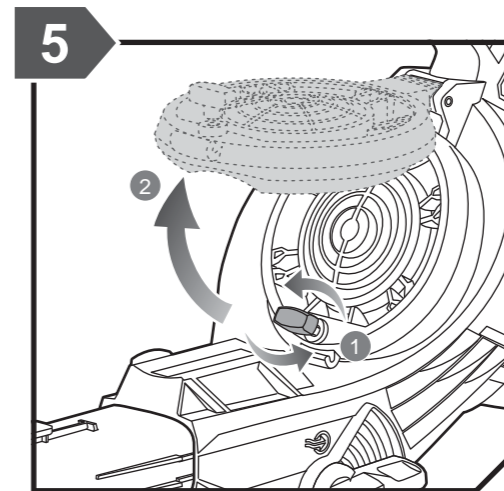
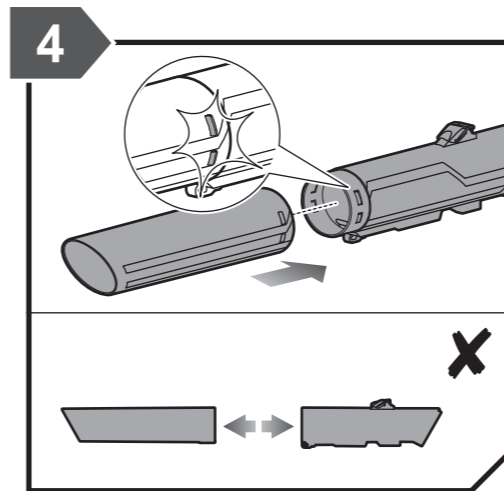
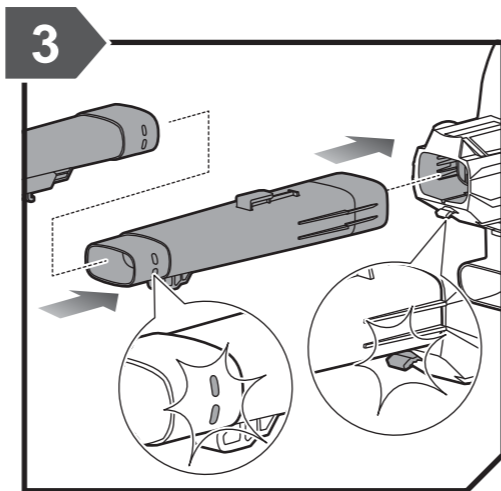
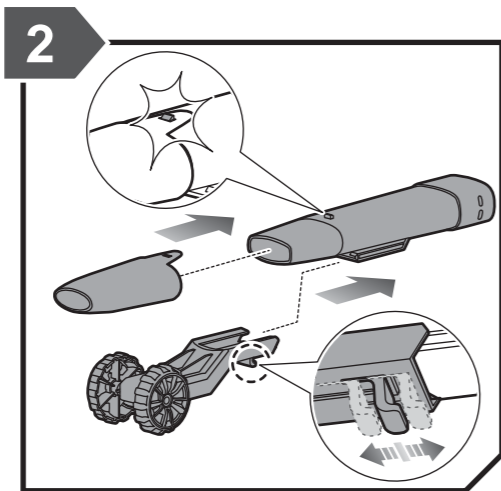
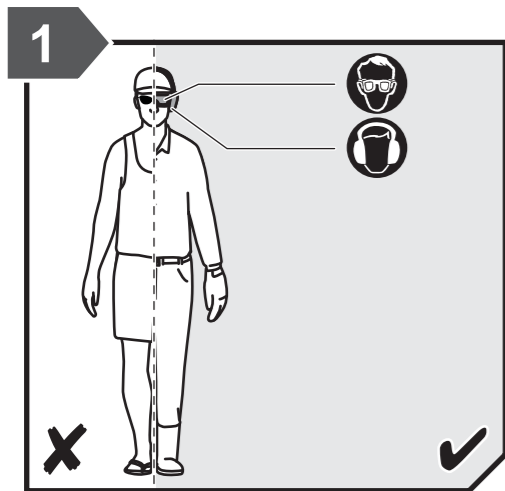


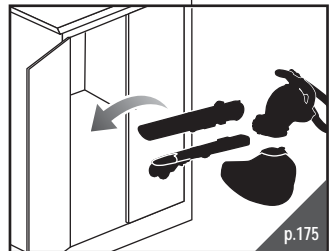
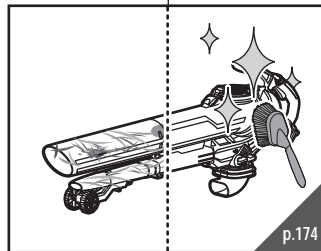
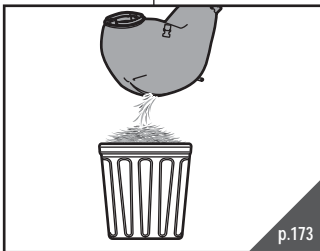
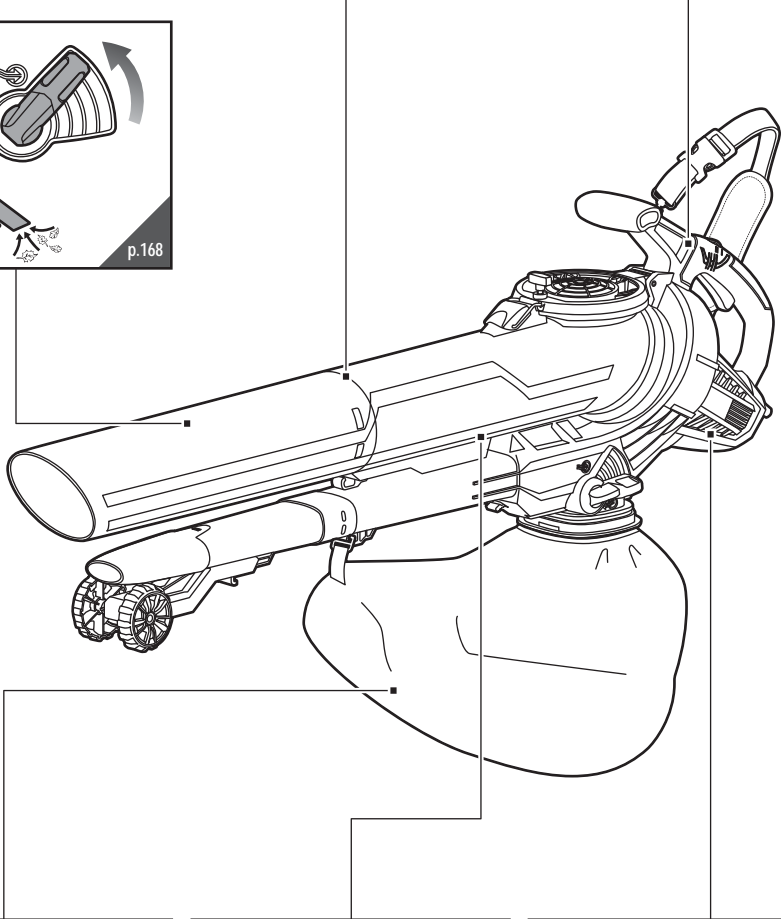
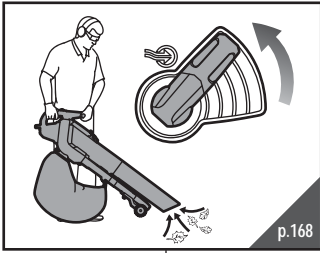
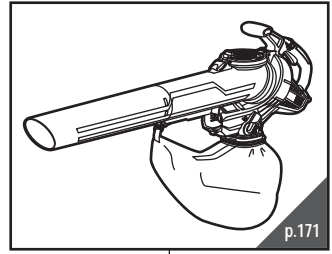
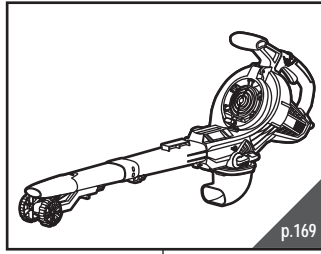
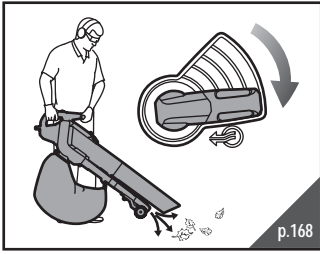
x 1

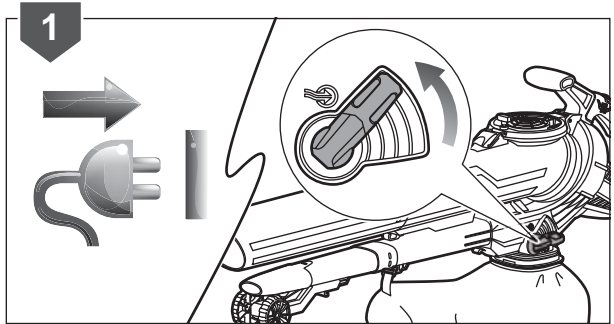
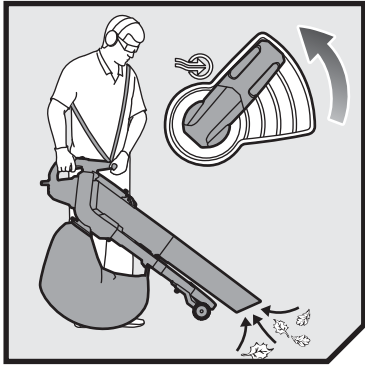
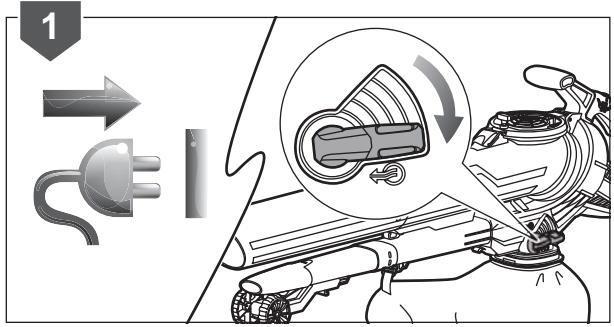
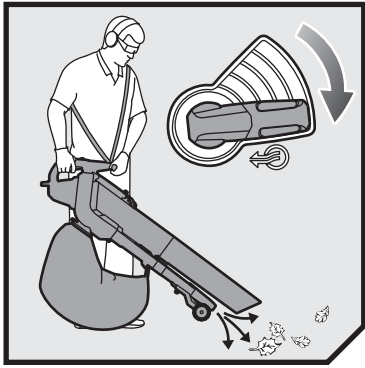


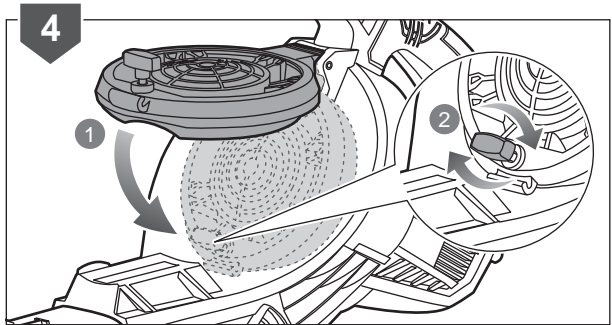
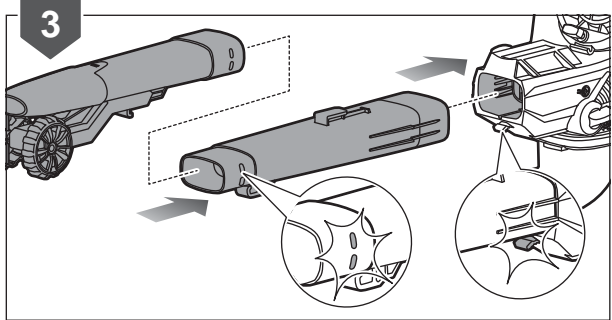
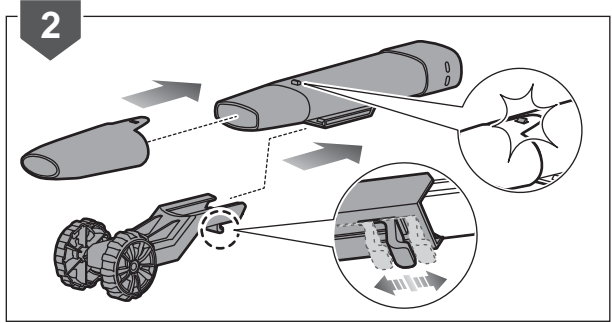
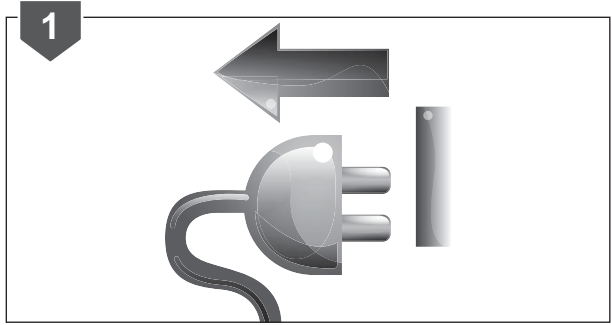
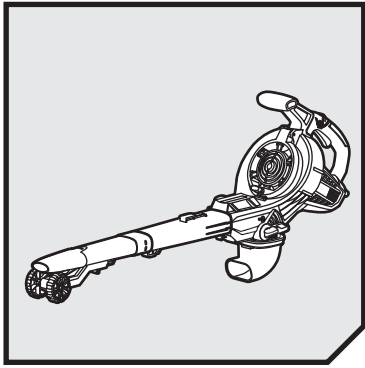
x 1

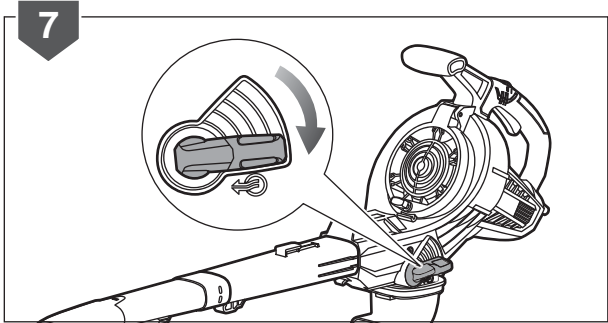
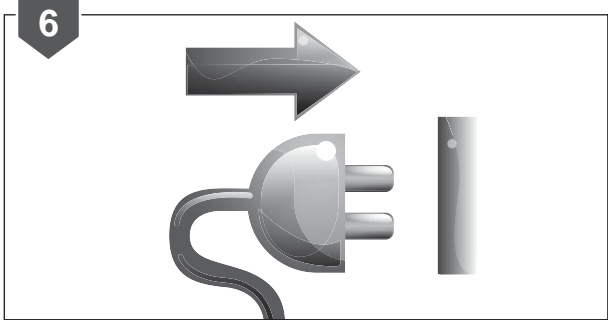
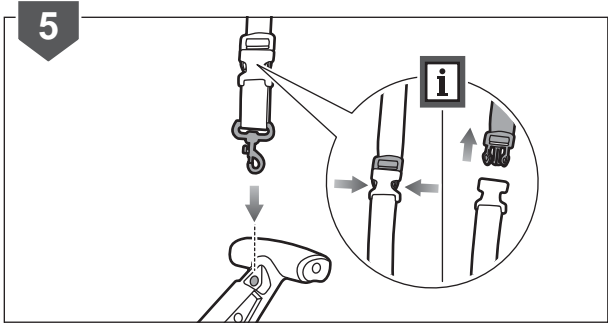


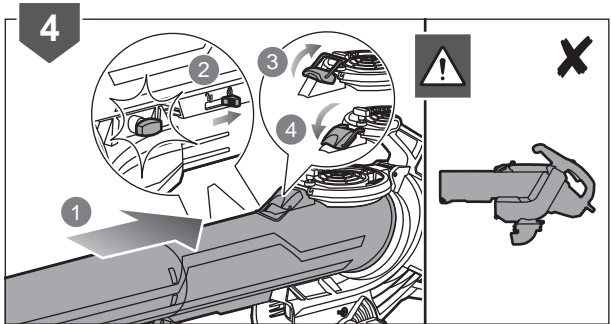
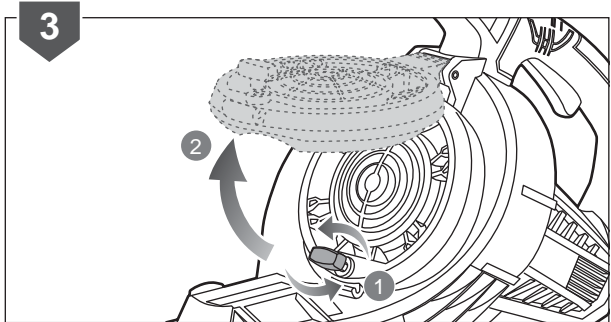
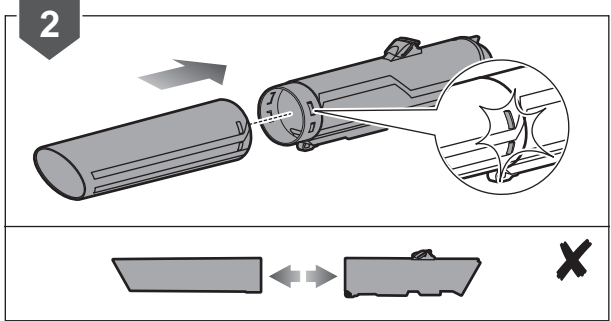
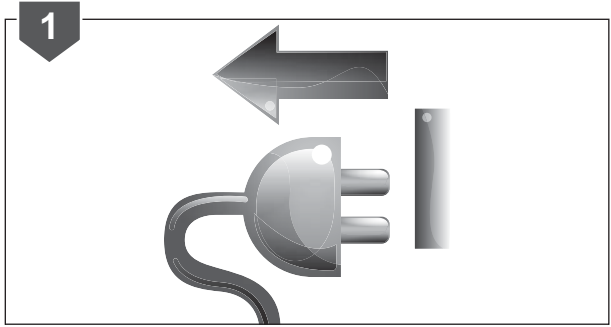
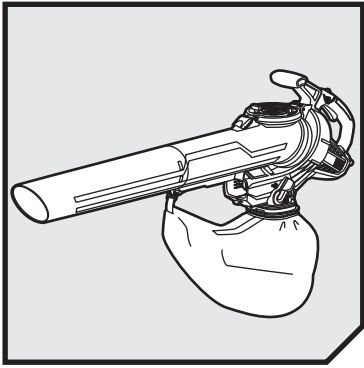


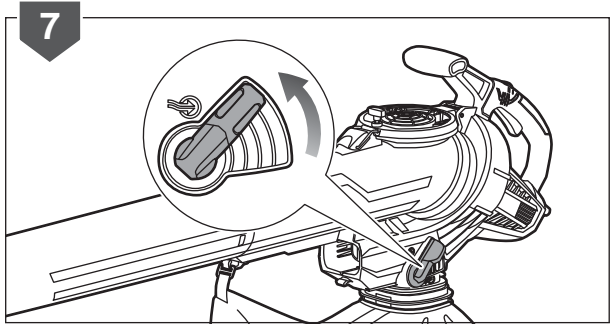
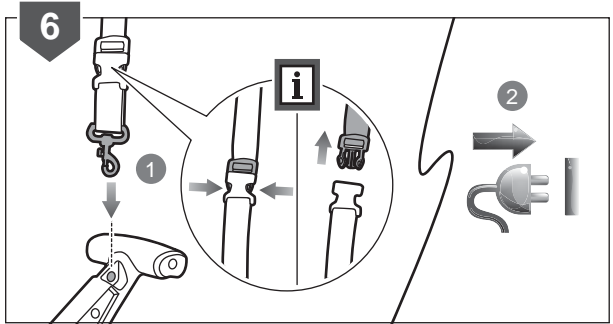
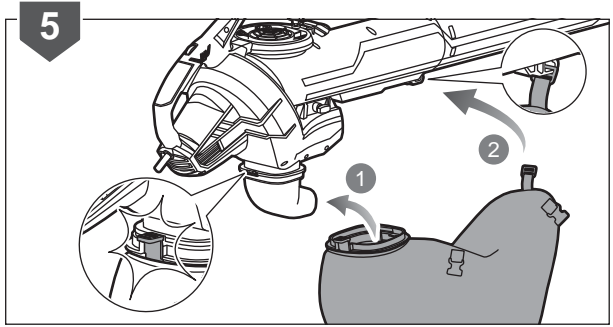


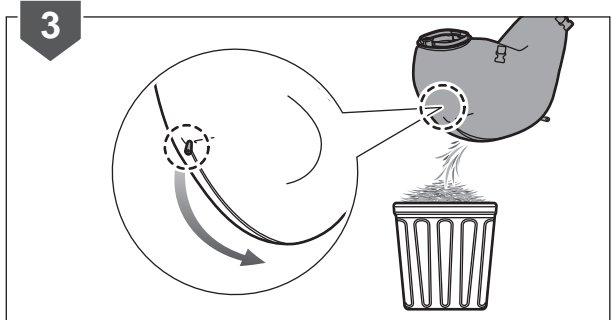
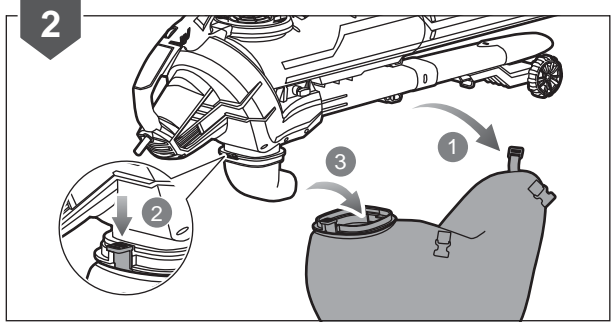
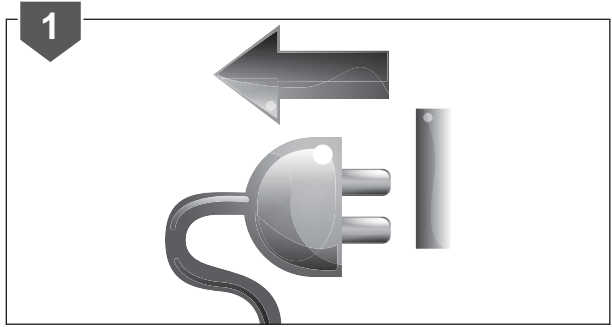
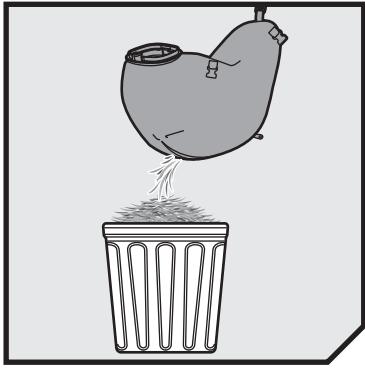


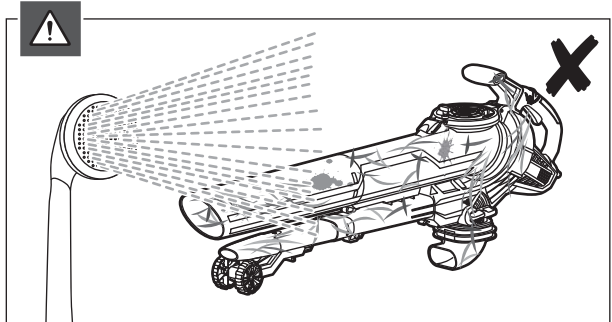
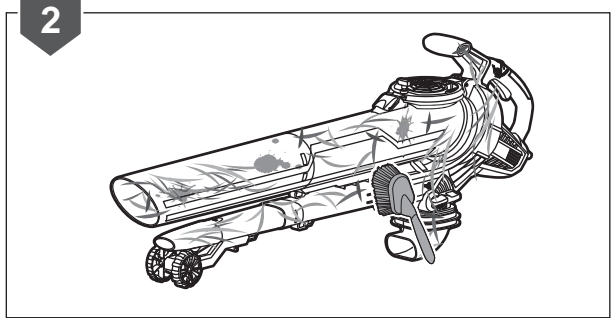
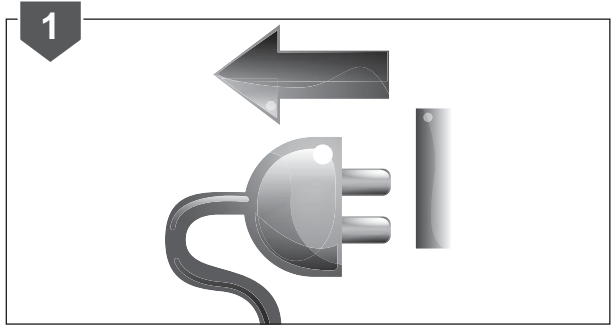
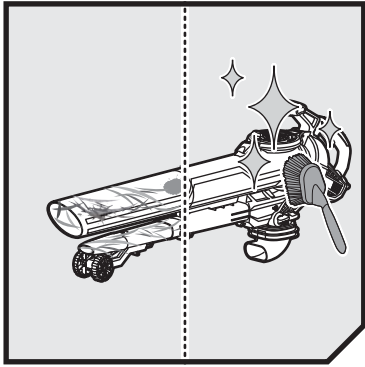


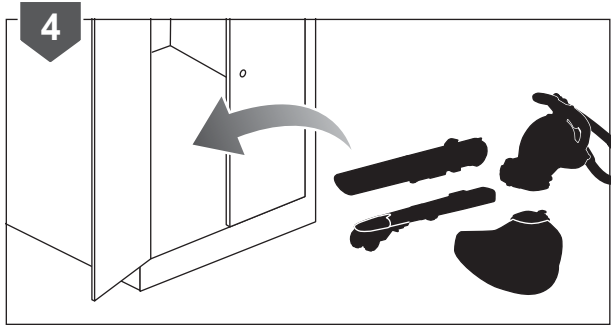
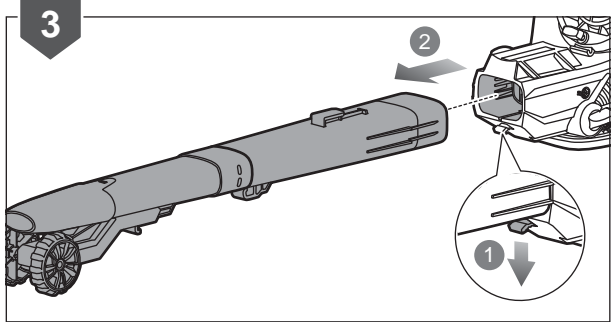
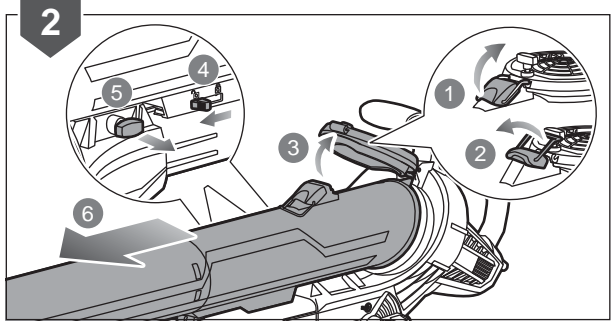
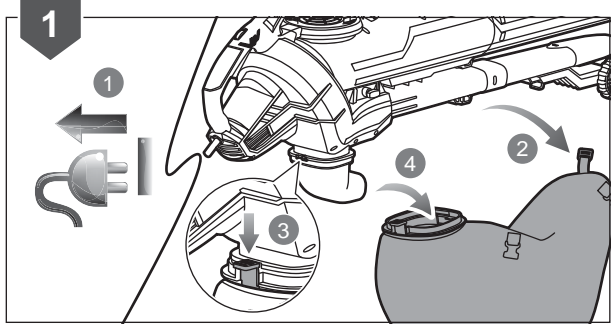
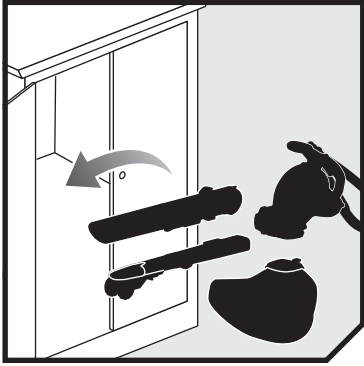














| English | Français | Deutsch | Español | Italiano | Nederlands | Português |
|---|--|---|---|---|---|--|
| Specifications | Caractéristiques techniques | Technische Daten | Características técnicas | Caratteristiche tecniche | Technische gegevens | Características técnicas |
| Electric Blower/ Vacuum | Aspirateur/souffleur électrique | Elektrischer Bläser/ Sauger | Aspirador/soplador eléctrico | Soffiatore/aspiratore elettrico | Elektrische blazer/ zuiger | Aspirador/soprador eléctrico |
| Model | Modèle | Modell | Modelo | Modello | Model | Modelo |
| Rated power | Puissance nominale | Nennleistung | Potencia nominal | Potenza nominale | Nominaal vermogen | Potência nominal |
| Rated voltage | Tension nominale | Nennspannung | Tensión nominal | Voltaggio nominale | Toegekende spanning | Tensão nominal |
| Insulation | Isolation | Isolierung | Aislamiento | Isolamento | Isolatie | Isolamento |
| Air velocity | Vitesse du flux d'air | Luftgeschwindigkeit | Velocidad del aire | Velocità aria | Luchtdebiet | Velocidade do Ar |
| Air volume | Volume d'air | Luftvolumen | Volumen del aire | Volume aria | Luchtvolume | Volume de Ar |
| Mulching ratio | Taux de broyage | Mulchverhältnis | Relación de desmenuzado | Rapporto di triturazione | Mulchingverhouding | Rácio de mistura |
| Weight | Poids | Gewicht | Peso | Peso | Gewicht | Peso |
| Blower/vacuum mode | Mode souffleur/ aspirateur | Bläser/Sauger- Modus | Modo aspirador/ soplador | Modalità soffiatore/ aspiratore | Blazer-/ vacuümmodus | Modo aspirador/ soprador |
| Blower mode | Mode souffleur | Gebälsebetrieb | Modo soplador | Modalità soffiatore | Blaasmodus | Modo soprador |
| Vacuum mode | Mode aspirateur | Saugbetrieb | Modo aspirador | Modalità aspiratore | Vacuümmodus | Modo aspirador |
| Vibration level (in accordance with annex BB of 50636-2- 100:2014) | Niveau de vibrations (selon l'Annexe BB de 50636-2-100:2014) | Vibrationsgrad (gemäß Anhang BB der 50636-2- 100:2014) | Nivel de vibración (de conformidad con el Anexo BB de la norma 50636-2- 100:2014) | Livello di vibrazioni (secondo quanto stabilito dallo standard 50636-2-100:2014 nell'Allegato BB.) | Trillingsniveau (in overeenstemming met bijlage BB van 50636-2-100:2014) | Nível de vibração (em conformidade com o Anexo BB da norma 50636-2-100:2014) |
| Rear handle | Poignée arrière | Hinterer Haltegriff | Mango trasero | Manico posteriore | Achterste handvat | Pega traseira |
| Front handle | Poignée avant | Vorderer Haltegriff | Mango delantero | Manico anteriore | Voorste handvat | Pega frontal |
| Uncertainty of measurement | Incertitude de la mesure | Unsicherheit der Messung | Incertidumbre de medición | Incertezza delle misurazioni | Onzekerheid bij meting | Incerteza de medições |
| A-weighted emission sound pressure level at operator's position (in accordance with annex CC of 50636-2- 100:2014) | Niveau de pression sonore pondéré A au niveau de l'opérateur (selon l'Annexe CC de 50636-2-100:2014) | A-bewerteter Schalldruckpegel an der Position des Benutzers (gemäß Anhang CC der 50636-2- 100:2014) | Nivel de presión sonora ponderado A en la posición del operario (de conformidad con el Anexo CC de la norma 50636-2- 100:2014) | Livello di pressione sonora ponderata A alla posizione dell'operatore (secondo quanto stabilito dallo standard 50636-2-100:2014 nell'Allegato CC.) | A-gewogen geluidsdrumniveau bij positie van gebruiker (in overeenstemming met bijlage CC van 50636-2-100:2014) | Nível de pressão sonora ponderada A na posição do operador (em conformidade com o Anexo CC da norma 50636-2-100:2014) |
| Blower mode | Mode souffleur | Gebälsebetrieb | Modo soplador | Modalità soffiatore | Blaasmodus | Modo soprador |
| Vacuum mode | Mode aspirateur | Saugbetrieb | Modo aspirador | Modalità aspiratore | Vacuümmodus | Modo aspirador |
| Uncertainty of measurement | Incertitude de la mesure | Unsicherheit der Messung | Incertidumbre de medición | Incertezza delle misurazioni | Onzekerheid bij meting | Incerteza de medições |
| A-weighted sound power level (in accordance with annex CC of 50636-2- 100:2014) | Niveau de puissance sonore pondéré-A (selon l'Annexe CC de 50636-2-100:2014) | A-bewerteter Schalleistungspegel (gemäß Anhang CC der 50636-2- 100:2014) | Nivel de potencia acústica ponderada en A (de conformidad con el Anexo CC de la norma 50636-2- 100:2014) | Livello di potenza sonora pesato A (secondo quanto stabilito dallo standard 50636-2-100:2014 nell'Allegato CC.) | A-gewogen geluidsniveau (in overeenstemming met bijlage CC van 50636-2-100:2014) | Nível de potência sonora ponderada A (em conformidade com o Anexo CC da norma 50636-2-100:2014) |
| Blower mode | Mode souffleur | Gebälsebetrieb | Modo soplador | Modalità soffiatore | Blaasmodus | Modo soprador |
| Uncertainty of measurement | Incertitude de la mesure | Unsicherheit der Messung | Incertidumbre de medición | Incertezza della misurazione | Onzekerheid bij meting | Incerteza de medições |
| Vacuum mode | Mode aspirateur | Saugbetrieb | Modo aspirador | Modalità aspiratore | Vacuümmodus | Modo aspirador |
| Uncertainty of measurement | Incertitude de la mesure | Unsicherheit der Messung | Incertidumbre de medición | Incertezza della misurazione | Onzekerheid bij meting | Incerteza de medições |

| Replacement part | Pièce de rechange | Ersatzteil | Pieza de repuesto | Ricambio | Vervangonderdeel | Peça de substituição |
|------------------|-------------------|------------|-------------------|-----------|------------------|----------------------|
| Bag | Sac | Beutel | Bolsa | Sacchetto | Zak | Bolsa/Saco |





| Dansk | Svenska | Suomi | Norsk | Русский | |
|--|---|---|--|--|---------------------|
| Tekniske specifikationer | Tekniska data | Tekniset tiedot | Tekniske egenskaper | Технические характеристики | |
| Elektrisk blæser/suger | Elektrisk blåsare/sugare | Sähkökäyttöinen puhallin-imuri | Elektrisk løvblæser/støvsuger | Электрическая воздуходувка/пылесос | |
| Model | Modell | Malli | Modell | Модель | RBV3000CESV-01 |
| Mærkeeffekt | Klassad effekt | Nimellisteho | Nominell effekt | Номинальная мощность | 3 000 W |
| Mærkespænding | Spänning | Nimellissännite | Nominell spenning | Номинальное напряжение | 230 - 240 V ~ 50 Hz |
| Isolering | Isolering | Eristys | Isolasjon | Изоляция | Class II |
| Lufthastighed | Lufthastighet | Ilman nopeus | Lufthastighet | Скорость воздушного потока | 375 km/h |
| Luftvolumen | Luftvolym | Ilmamäärä | Luftvolum | Объем воздуха | 16 m³/min |
| Bløklipforhold | Mullningsgrad | Levityssuhde | Kvernekapasitet | Соотношение мульчирования | 16:1 |
| Vægt | Vikt | Paino | Vekt | Вес | |
| Blæse-/sugemodus | Blås-/sugläge | Puhallin/imuritila | Blæse/sugemodus | Режим воздуходувки/пылесоса | 5,1 kg |
| Blæsemodus | Blåsarläge | Puhallintila | Viftemodus | Режим воздуходувки | 4,1 kg |
| Sugemodus | Vakuumläge | Imuritila | Vakuumeringsmodus | Режим всасывания | 4,7 kg |
| Vibrationsniveau (i henhold til bilag BB til 50636-2-100:2014) | Vibrationsnivå (i enlighet med 50636-2-100:2014 Annex BB) | Tärinätaiso (50636-2-100:2014 -standardin liitteen BB mukaan) | Vibrasjonsnivå (i henhold til Tillegg BB av 50636-2-100:2014) | Уровень вибрации (согласно Приложению ВВ стандарта 50636-2-100:2014) | |
| Baghåndtag | Bakre handtag | Takakädensija | Bakre håndtak | Задняя ручка | 6,8 m/s² |
| Forhåndtag | Framre handtag | Etukädensija | Fremre håndtak | Передняя ручка | 4,0 m/s² |
| Målingsusikkerhed | Osäkerhet för mått | Mittausten epä tarkkuus | Usikkerhet ved måling | Погрешность измерения | 1,5 m/s² |
| A-vægtet lydtryksniveau ved operatørens position (i henhold til bilag CC til 50636-2-100:2014) | A-viktad ljudtrycksnivå vid operatörsplats (i enlighet med 50636-2-100:2014 Annex CC) | A-painotettu käyttäjäan kohdistuva äänenpainetaso (50636-2-100:2014 -standardin liitteen CC mukaan) | Støynivåvektning ved operatørens posisjon (i henhold til Tillegg CC av 50636-2-100:2014) | Амплитудно-взвешенный уровень звукового давления в рабочем месте оператора (согласно Приложению СС стандарта 50636-2-100:2014) | |
| Blæsemodus | Blåsarläge | Puhallintila | Viftemodus | Режим воздуходувки | 98,3 dB(A) |
| Sugemodus | Vakuumläge | Imuritila | Vakuumeringsmodus | Режим всасывания | 95,3 dB(A) |
| Målingsusikkerhed | Osäkerhet för mått | Mittausten epä tarkkuus | Usikkerhet ved måling | Погрешность измерения | 2,5 dB |
| A-vægtet lydeffektniveau (i henhold til bilag CC til 50636-2-100:2014) | A-vägd ljudeffektnivå (i enlighet med 50636-2-100:2014 Annex CC) | A-painotettu äänenteho (50636-2-100:2014 -standardin liitteen CC mukaan) | A-vektet lydeffektnivå (i henhold til Tillegg CC av 50636-2-100:2014) | Уровень А-взвешенной звуковой мощности (согласно Приложению СС стандарта 50636-2-100:2014) | |
| Blæsemodus | Blåsarläge | Puhallintila | Viftemodus | Режим воздуходувки | 106,6 dB(A) |
| Målingsusikkerhed | Osäkerhet i mätningar | Mittausten epä tarkkuus | Usikkerhet ved måling | Погрешность измерения | 1,7 dB |
| Sugemodus | Vakuumläge | Imuritila | Vakuumeringsmodus | Режим всасывания | 104,5 dB(A) |
| Målingsusikkerhed | Osäkerhet i mätningar | Mittausten epä tarkkuus | Usikkerhet ved måling | Погрешность измерения | 1,4 dB |

| | | | | | |
|------------|----------------|----------|----------------|-------------------|--------|
| Reservedel | Ersättningsdel | Varaosat | Erstatningsdel | Заменяемые детали | |
| Pose | Påse | Pussi | Bag | Мешок | RAC359 |





| Polski | Čeština | Magyar | Română | Latviski | Lietuviškai | Eesti |
|---|---|--|--|---|---|--|
| Parametry techniczne | Technické údaje | Műszaki adatok | Caracteristici tehnice | Specifikācijas | Techninės sąlygos | Techninės sąlygos |
| Elektryczna dmuchawa/odkurzacz | Elektrický fukar/ vysavač | Elektromos lombfűvő/ lombszívó | Aspirator/suflantă electrică | Elektriskais pūtējs/ sūcējs | Elektrinis lapų nupūtimo / siurbimo įtaisas | Elektriline puhur/īmūr |
| Model | Model | Típus | Model | Modelis | Modelis | Mudel |
| Moc znamionowa | Jmenovitý výkon | Névleges teljesítmény | Puterea nominală | Nominālā jauda | Nominali galia | Nimivõimsus |
| Napięcie znamionowe | Jmenovitě napětí | Névleges feszültség | Tensiunea nominală | Nominālais spriegums | Nominali įtampa | Nimipinge |
| Izolacja | Izolace | Szigetelés | Izolare | Izolācija | Izoliacija | Isolatsioon |
| Prędkość powietrza | Rychlost vzduchu | Levegő sebessége | Vitezá aer | Gaisa ātrums | oro greitis | Õhu kiirus |
| Objętość powietrza | Objem vzduchu | Levegőtérfogat | Volum de aer | Gaisa plūsma | Oro kiekis | Õhu vooluhulk |
| Współczynnik mulczowania | Mulčovací poměr | Mulcsozási arány | Proporție compost | Mulčēšanas koeficients | Mulčiavimo santykis | Multšimise aste |
| Masa | Hmotnost | Tömeg | Greutate | Svars | Svoris | Mass |
| Tryb dmuchawy/ odkurzacza | Režim fukar/ vysavač | Fűvős/szívás üzemmód | Mod suflantă/ aspirare | Pūšanas/sūkšanas režīms | Nupūtimo / siurbimo režimas | Puhuri-/īmurežim |
| Tryb dmuchawy | Režim foukání | Fűvő üzemmód | Mod suflantă | Pūtēja režīms | Pūtko režimas | Puhumisrežim |
| Tryb ssania | Režim vysávání | Porszívó üzemmód | Mod aspirator | iesūcēja režīms | Dulkių režimas siurblio | Imemisrežim |
| Poziom drgań (zgodnie z aneksem BB normy 50636-2-100:2014) | Úroveň vibrací (v souladu s přílohou BB normy 50636-2-100:2014) | Vibrációs szint (az 50636-2-100:2014 BB. függelékének megfelelően) | Nivelul vibrațiilor (în conformitate cu Anexa BB a 50636-2-100:2014) | Vibrācijas līmenis (saskaņā ar 50636-2-100:2014 pielikumu BB) | Vibracijos lygis (pagal 50636-2-100:2014 BB priedą) | Vibratsioonitase (vastavalt standardi 50636-2-100:2014 lisale BB) |
| Uchwyt tylny | Zadní rukojeť | Hátső fogantyú | Mâner posterior | Aizmugurējais rokturis | Galinė rankena | Tagumine käepide |
| Uchwyt przedni | Přední rukojeť | Elülső fogantyú | Mâner anterior | Priekšējais rokturis | Priekinė rankena | Eesmine käepide |
| Niepewność pomiaru | Nejistota měření | Mérés bizonytalansága | Nesiguranța măsurătorii | Mērījuma nenoteiktība | Matavimo paklaida | Mõõtmismääramatus |
| Poziom ciśnienia akustycznego w pozycji operatora (zgodnie z aneksem CC normy 50636-2-100:2014) | Hladina akustického tlaku vážená funkcí A v poloze obsluhy (v souladu s přílohou CC normy 50636-2-100:2014) | A-súlyozott hangnyomásszint a kezelő helyén (az 50636-2-100:2014 CC. függelékének megfelelően) | Un nivel de presiune al sunetului mai tare la poziția operatorului. (în conformitate cu Anexa CC a 50636-2-100:2014) | Lietotāja pozīcijā ir ar A novērtēts skaņas spiediena līmenis. (saskaņā ar 50636-2-100:2014 pielikumu CC) | A lygio svorinis garso slėgis operatoriaus padėtyje. (pagal FprEN 60335-2-100:2013 CC priedą) | A-kaalutud müraemissiooni rõhu tase operaatori töökojal (vastavalt standardi 50636-2-100:2014 lisale CC) |
| Tryb dmuchawy | Režim foukání | Fűvő üzemmód | Mod suflantă | Pūtēja režīms | Pūtko režimas | Puhumisrežim |
| Tryb ssania | Režim vysávání | Porszívó üzemmód | Mod aspirator | iesūcēja režīms | Dulkių siurblio režimas | Imemisrežim |
| Niepewność pomiaru | Nejistota měření | Mérés bizonytalansága | Nesiguranța măsurătorii | Mērījuma nenoteiktība | Matavimo paklaida | Mõõtmismääramatus |
| A-ważony poziom natężenia hałasu (zgodnie z aneksem CC normy 50636-2-100:2014) | Hladina akustického výkonu vážená funkcí A (v souladu s přílohou CC normy 50636-2-100:2014) | A-súlyozott hangteljesítményszint (az 50636-2-100:2014 CC. függelékének megfelelően) | Nivel de putere acustică ponderată A (în conformitate cu Anexa CC a 50636-2-100:2014) | A-līmeņa skaņas jaudas līmenis (saskaņā ar 50636-2-100:2014 pielikumu CC) | A svertinis garso galios lygis (pagal FprEN 60335-2-100:2013 CC priedą) | A-kaalutud helivõimsuse tase (vastavalt standardi 50636-2-100:2014 lisale CC) |
| Tryb dmuchawy | Režim foukání | Fűvő üzemmód | Mod suflantă | Pūtēja režīms | Pūtko režimas | Puhumisrežim |
| Niepewność pomiaru | Nejistota měření | Mérés bizonytalansága | Incertitudine a măsurării. | Mērījuma mainīgums | Matmenų paklaida | Mõõtmismääramatus |
| Tryb ssania | Režim vysávání | Porszívó üzemmód | Mod aspirator | iesūcēja režīms | Dulkių siurblio režimas | Imemisrežim |
| Niepewność pomiaru | Nejistota měření | Mérés bizonytalansága | Incertitudine a măsurării. | Mērījuma mainīgums | Matmenų paklaida | Mõõtmismääramatus |

| | | | | | | |
|-----------------|--------------|----------------|-------------------|---------------|-----------------|----------|
| Części zamienne | Náhradní díl | Cserealkatrész | Piesă/e de schimb | Rezerves daļa | Atsarginė dalis | varuosad |
| Worek | Vak | Táska | Sac | Maiss | Maišas | Kott |





| Hrvatski | Slovensko | Slovenčina | България | Українська | Türkçe | |
|--|--|---|---|--|---|------------------------|
| Tehničke karakteristike | Tehnični podatki | Špecifikácie | Спецификации на продукта | Технічні характеристики продукту | Ürün teknik özellikleri | |
| Električna puhalica/ usisavač | Električni puhalnik/ sesalnik | Elektrické dúchadlo/ vysávač | Електрически уред за обдуване/ засмукване | Електрична повітродувка / вакуумна | Elektrikli Yaprak Toplama/Üfi eme Makinesi | |
| Model | Model | Modelis | Модел | Модель | Model | RBV3000CESV-01 |
| Nazivna snaga | Nazivna moć | Menovitý výkon | Номинална мощност | Номинална потужність | Nominal güç | 3 000 W |
| Nazivni napon | Nazivna napetost | Menovité napätie | Номинален волтаж | Номинална напруга | Nominal voltaj | 230 - 240 V ~ 50 Hz |
| Izolacija | Izolacija | Izolácia | Изоляция | відособлення | Yalıtım | Class II |
| Brzina zraka | Hitrost zraka | Rýchlosť vzduchu | Скорост на въздушната струя | Швидкість повітря | Hava hızı | 375 km/h |
| Količina zraka | Prostornina zraka | Objem vzduchu | Въздушен обем | Об'єм повітря | Hava hacmi | 16 m ³ /min |
| Omjer usisa | Razmerje drobljenja | Pomer mulčovanja | Коефициент на мулчиране | Коефіцієнт мульчування | Malçlama oranı | 16:1 |
| Težina | Teža | Hmotnosť | Тегло | Вага | Ağırlık | |
| Način rada puhalica/ usisavač | Način puhalnika/ sesalnika | Režim dúchadlo/ vysávač | Режим на обдуване/ засмукване | Режим повітродувка / пилосос | Üfleme/toplama modu | 5,1 kg |
| Način puhanjem | Način puhalnika | Režim dúchadla | Режим обдуване | Режим повітродувки | Üfleme modu | 4,1 kg |
| Način usisavanja | Način sesalnika | Režim vysávania | Режим засмукване | Режим пилососа | Toplama modu | 4,7 kg |
| Razina vibracije (u skladu s Dodatkom BB od 50636-2-100:2014) | Raven vibracij (v skladu s priloženo BB standarda 50636-2-100:2014) | Úroveň vibrácií (v súlade s dodatkom BB normy 50636-2-100:2014) | Ниво на вибрация (съобразно приложение BB на 50636-2-100:2014) | Рівень вібрації (відповідно до 50636-2-100:2014 Annex BB) | Titreşim seviyesi (50636-2-100:2014, Ek BB uyarınca) | |
| Stražnja ručica | Zadnji ročaj | Zadná rukoväť | Задна ръкохватка | Задня ручка | Arka Kulp | 6,8 m/s ² |
| Prednja ručka | Sprednji ročaj | Predná rukoväť | Предна ръкохватка | Передня ручка | Ön Kulp | 4,0 m/s ² |
| Neodređenost mjerenja | Negotovost meritve | Nespoľahlivosť meraní | Несигурност на измерването | Невизначеність вимірювання | Ölçüm bilinmiyor | 1,5 m/s ² |
| A-ponderirana razina zvučnog tlaka u položaju operatera (u skladu s Dodatkom CC od 50636-2-100:2014) | A-izmerjena raven zvočnega tlaka pri položaju upravljalca (v skladu s priloženo CC standarda 50636-2-100:2014) | Vážená A hladina akustického tlaku na pozícií obsluhujúcej osoby. (v súlade s dodatkom CC normy 50636-2-100:2014) | Равнище А на нивото на шумовото налягане на мястото на оператора. (съобразно приложение CC на 50636-2-100:2014) | А-звжаний рівень звукового тиску на робочому місці оператора (відповідно до 50636-2-100:2014 Annex CC) | Kullanıcı konumunda A ağırlıklı emisyon ses basıncı seviyesi (50636-2-100:2014, Ek CC uyarınca) | |
| Način rada puhanjem | Način puhalnika | Režim dúchadla | Режим на обдуване | Режим повітродувки | Üfi eme modu | 98,3 dB(A) |
| Način rada usisavanja | Način sesalnika | Režim vysávania | Режим на засмукване | Режим пилососа | Toplama modu | 95,3 dB(A) |
| Neodređenost mjerenja | Negotovost meritve | Nespoľahlivosť meraní | Несигурност на измерването | Невизначеність вимірювання | Ölçüm bilinmiyor | 2,5 dB |
| Ponderirana razina zvučne snage (u skladu s Dodatkom CC od 50636-2-100:2014) | A-izmerjena raven zvočne moći (v skladu s priloženo CC standarda 50636-2-100:2014) | Vážená A hladina akustického výkonu (v súlade s dodatkom CC normy 50636-2-100:2014) | Ниво на силата на шума с равнище А (съобразно приложение CC на 50636-2-100:2014) | А-звжаний рівень звукової потужності (відповідно до 50636-2-100:2014 Annex CC) | A ağırlıklı ses gücü seviyesi (EN 50636-2-100:2014, Ek CC uyarınca) | |
| Način rada puhanjem | Način puhalnika | Režim dúchadla | Режим на обдуване | Режим повітродувки | Üfleme modu | 106,6 dB(A) |
| Neodređenost mjerenja | Negotovost meritev | Nespoľahlivosť meraní | Несигурност на измерването | Невизначеність вимірювання | Ölçüm bilinmiyor | 1,7 dB |
| Način rada usisavanja | Način sesalnika | Režim vysávania | Режим на засмукване | Режим пилососа | Toplama modu | 104,5 dB(A) |
| Neodređenost mjerenja | Negotovost meritev | Nespoľahlivosť meraní | Несигурност на измерването | Невизначеність вимірювання | Ölçüm bilinmiyor | 1,4 dB |
| Zamjenski dijelovi | Nadomestni deli | Náhradné diely | Резервна част | Змінна частина | Yedek parça | |
| Vrećica | Vreća | Vak | Чувал | Сумка | Torba | RAC359 |



EN GUARANTEE

In addition to any statutory rights resulting from the purchase, this product is covered by a guarantee as stated below.

1. The guarantee period is 24 months for consumers and commences on the date when the product was purchased. This date has to be documented by an invoice or other proof of purchase. The product is designed and dedicated to consumer and private use only. So there is no guarantee provided in case of professional or commercial use.
2. There is, in some cases (i.e. promotion, range of tools), a possibility to extend the warranty period over the period described above using the registration on the www.ryobitools.eu website. The eligibility of the tool is clearly displayed in stores and/or on packaging. The end user needs to register his/her newly-acquired tools online within 8 days from the date of purchase. The end user may register for the extended warranty in his country of residence if listed on the online registration form where this option is valid. Furthermore, end users must give their consent to the storage of the data which are required to enter online and they have to accept the terms and conditions. The registration confirmation receipt, which is sent out by e-mail, and the original invoice showing the date of purchase will serve as proof of the extended warranty. Your statutory rights remain unaffected.
3. The guarantee covers all defects of the product during the warranty period due to defaults in workmanship or material at the purchase date. The guarantee is limited to repair and/or replacement and does not include any other obligations including but not limited to incidental or consequential damages. The warranty is not valid if the product has been misused, used contrary to the instruction manual, or being incorrectly connected. This guarantee does not apply to
 - any damage to the product that is the result of improper maintenance
 - any product that has been altered or modified
 - any product where original identification (trade mark, serial number) markings have been defaced, altered or removed
 - any damage caused by non-observance of the instruction manual
 - any non CE product
 - any product which has been attempted to be repaired by an non-qualified professional or without prior authorization by Techtronic Industries
 - any product connected to improper power supply (amps, voltage, frequency)
 - any product used with inappropriate fuel mixture (fuel, oil, percentage of oil)
 - any damage caused by external influences (chemical, physical, shocks) or foreign substances
 - normal wear and tear of spare parts
 - inappropriate use, overloading of the tool
 - use of non-approved accessories or parts
 - carburettor after 6 months, carburettor adjustments after 6 months
 - components (parts and accessories) subject to natural wear and tear, including but not limited to bump knobs, drive belts, clutch, blades of hedge trimmers or lawn mowers, harness, cable throttle, carbon brushes, power cord, tines, felt washers, hitch pins, blower fans, blower and vacuum tubes, vacuum bag and straps, guide bars, saw chains, hoses, connector fittings, spray nozzles, wheels, spray wands, inner reels, outer spools, cutting lines, spark plugs, air filters, gas filters, mulching blades, etc.
4. For servicing, the product must be sent or presented to a RYOBI authorized service station listed for each country in the following list of service station addresses. In some countries your local RYOBI dealer undertakes to send the product to the RYOBI service organisation. When sending a product to a RYOBI service station, the product should be safely packed without any dangerous contents such as petrol, marked with sender's address and accompanied by a short description of the fault.
5. A repair/replacement under this guarantee is free of charge. It does not constitute an extension or a new start of the guarantee period. Exchanged parts or tools become our property. In some countries delivery charges or postage will have to be paid by the sender.
6. This guarantee is valid in the European Community, Switzerland, Iceland, Norway, Liechtenstein, Turkey and Russia. Outside these areas, please contact your authorized RYOBI dealer to determine if another warranty applies.

AUTHORISED SERVICE CENTRE

To find an authorised service centre near you, visit <http://uk.ryobitools.eu/header/service-and-support/service-agents>.

FR GARANTIE

En plus des droits statutaires liés à l'achat, ce produit est couvert par une garantie telle que décrite ci-dessous.

1. La durée de la garantie accordée au consommateur est de 24 mois à partir de la date d'achat. Cette date doit être authentifiée par une facture ou tout autre preuve d'achat. Le produit a été conçu en vue d'une utilisation strictement privée. Aucune garantie ne s'applique donc en cas d'utilisation professionnelle ou commerciale.
2. Il existe, dans certains cas (par exemple promotion, gamme d'outils), une possibilité d'étendre la période de garantie au-delà de la période précédemment décrite en utilisant le formulaire d'enregistrement présent sur le site Internet www.ryobitools.eu. L'éligibilité d'un outil est clairement affichée dans les points de vente et/ou sur l'emballage. L'utilisateur final doit enregistrer son/ses outil(s) nouvellement acheté(s) en ligne dans les 8 jours qui suivent la date d'achat. L'utilisateur a la possibilité de s'enregistrer pour l'extension de garantie dans son pays de résidence si celui-ci est listé dans le formulaire d'enregistrement en ligne où cette option est valide. L'utilisateur final doit donner son consentement pour l'enregistrement des données requises pour accéder au site et doit accepter les termes et conditions. La confirmation d'enregistrement, envoyée par courrier électronique, ainsi que la facture originale mentionnant la date d'achat serviront de preuve de l'extension de garantie. Vos droits statutaires restent inchangés.
3. La garantie couvre les défauts des pièces et de main d'oeuvre du produit pendant la période de garantie à partir de la date d'achat. La garantie n'inclut aucune autre obligation, tel que, mais sans s'y limiter, les dommages accessoires ou indirects. La garantie est non valable en cas de mauvaise utilisation du produit, d'utilisation contraire aux instructions du mode d'emploi, ou en cas de branchement incorrect. Cette garantie ne s'applique pas pour :
 - tout dommage au produit résultant d'un mauvais entretien
 - tout produit ayant été altéré ou modifié
 - tout produit dont les marquages originaux d'identification (marque, numéro de série) ont été dégradés, altérés ou retirés
 - tout dommage causé par le non-respect des instructions du mode d'emploi
 - tout produit non CE
 - tout produit ayant subi une tentative de réparation par du personnel non qualifié ou sans autorisation préalable de Techtronic Industries
 - tout produit raccordé à une alimentation secteur non conforme (ampérage, voltage, fréquence)
 - tout produit utilisé avec un mélange inapproprié (essence, huile, pourcentage d'huile)
 - tout dommage causé par des influences extérieures (chimiques, physiques, chocs) ou par des substances étrangères
 - l'usure normale des pièces consommables
 - une utilisation inappropriée, une surcharge de l'outil
 - l'utilisation de pièces ou accessoires non agréés
 - les carburateurs après plus de 6 mois à compter de la date d'achat, également les réglages du carburateur après plus de 6 mois à compter de la date d'achat
 - les composants (pièces et accessoires) sujets à une usure naturelle, incluant de façon non exhaustive les têtes de fil à frapper, les courroies de transmission, les embrayages, les lames des taille-haies ou des tondeuses à gazon, les harnais, les câbles d'accélérateur, les charbons, les cordons d'alimentation, les fraises de cultivateurs, les rondelles feutre, les goupilles de fraise, les turbines et lame de broyage des souffleurs, les tubes de soufflage et d'aspiration des souffleurs, les sacs de souffleurs et leurs lanières, les guides-chaîne, les chaînes de tronçonneuses, les tuyaux et raccords, les buses et lances de nettoyeurs haute pression, les roues, les recharges de fil des têtes de coupe, les têtes de coupe, le fil de coupe, les bougies d'allumage, les filtres à air, les filtres à essence, etc.
4. Si le produit doit être réparé, envoyez-le à un service après-vente agréé RYOBI dont vous trouverez ci-dessous la liste pour chaque pays. Dans certains pays, votre revendeur RYOBI se chargera d'envoyer le produit à un centre de réparation RYOBI. Lorsque vous envoyez un produit à un service après-vente RYOBI, celui-ci doit être correctement emballé, sans contenir aucun produit dangereux tel que de l'essence, et vous devez indiquer votre adresse ainsi qu'une courte description du problème.
5. Une réparation / un remplacement sous garantie est gratuit(e). Ceci ne constituera pas une extension de garantie ni un nouveau départ de la période de garantie. Les pièces ou les outils remplacés deviennent notre propriété. Dans certains pays, les frais de port devront être assumés par l'expéditeur.
6. Cette garantie est valable au sein de l'Europe, de la Suisse, de l'Islande, de la Norvège, du Liechtenstein, de la Turquie, de la Russie. En dehors de ces zones, veuillez contacter votre distributeur agréé RYOBI pour déterminer si une autre garantie s'applique.

SERVICE APRÈS-VENTE AGRÉÉ

Pour trouver le service après-vente agréé le plus proche, rendez-vous sur <http://fr.ryobitools.eu/header/service-and-support/service-agents>.

DE GARANTIE

Zusätzlich zu den aufgrund des Kaufs entstehenden gesetzlichen Rechten, ist dieses Produkt von der unten aufgeführten Garantie abgedeckt.

- Die Garantiezeit für Endverbraucher beträgt 24 Monate für und beginnt ab dem Kaufdatum des Produktes. Dieses Datum muss durch eine Rechnung oder einen anderen Kaufbeleg dokumentiert sein. Das Produkt ist ausschließlich für den Privatgebrauch entwickelt und bestimmt. Deshalb wird keine Garantie im Fall von professionellem oder kommerziellem Einsatz angeboten.
- In einigen Fällen (z.B. Promotion, auf eine bestimmte Produktpalette oder auf bestimmte Produkte begrenzt) besteht die Möglichkeit die Garantiezeit über den oben genannten Zeitraum, durch Registrierung auf der Webseite www.ryobitools.eu, zu verlängern. Der verlängerte Garantieanspruch für ein bestimmtes Produkt wird deutlich in den Geschäften und/oder auf der Verpackung des Produktes gezeigt. Der Endverbraucher muss seine neu gekauften Produkte innerhalb von 8 Tagen ab Kaufdatum registrieren. Der Endverbraucher kann sich für die erweiterte Garantie im Land seines permanenten Wohnsitzes registrieren, wenn diese Möglichkeit in dem Online-Formular gegeben ist. Des weiteren müssen die Endverbraucher ihr Einverständnis zur Speicherung der online angegebenen Daten geben und die Geschäftsbedingungen annehmen. Die per E-Mail verschickte Bestätigung der Registrierung und die Originalrechnung mit Kaufdatum dienen als Nachweis für die verlängerte Garantie. Ihre gesetzlichen Rechte bleiben unangetastet.
- Die Garantie deckt während der Garantiezeit ab Kaufdatum alle Produktmängel aufgrund von Material- oder Herstellungsmängeln ab. Diese Garantie ist auf Reparatur und/oder Ersatz beschränkt und enthält keine weiter Verpflichtungen einschließlich aber nicht beschränkt auf beiläufige oder resultierende Schäden. Die Garantie ist nicht gültig, wenn das Produkt missbräuchlich oder entgegen der Bedienungsanleitung benutzt, oder falsch angeschlossen wurde. Diese Garantie gilt nicht für:
 - Jegliche Schäden die an dem Produkt aufgrund falscher Wartung entstehen.
 - Jedes Produkt das verändert oder modifiziert wurde.
 - Jedes Produkt an dem die originale Identifizierung (Markenzeichen, Seriennummer) verunstaltet, verändert oder entfernt wurden.
 - Jede Beschädigung die durch Nichtbeachtung der Bedienungsanleitung verursacht wurde.
 - Jedes Produkt ohne CE Zeichen.
 - Jedes Produkt das von einer unqualifizierten Person oder ohne vorherige Genehmigung von Techtronic Industries versucht wurde zu reparieren.
 - Jedes Produkt das an eine falsche Stromversorgung (Ampere, Spannung, Frequenz) angeschlossen wurde.
 - Jedes Produkt das mit einer falschen Treibstoffmischung (Treibstoff, Öl, Prozentanteil von Öl) betrieben wurde.
 - Jede Beschädigung die von äußeren Einflüssen (chemisch, physisch, Stöße) oder fremden Substanzen verursacht wurde.
 - Normaler Verschleiß und Abnutzung von Ersatzteilen.
 - Zweckwidrige Benutzung, Überlastung des Werkzeugs.
 - Benutzung von nicht zugelassenem Zubehör oder Teilen.
 - Den Vergaser nach 6 Monaten, die Vergasereinstellung nach 6 Monaten.
 - Teile (Teile und Zubehörteile) die normalem Verschleiß unterliegen, einschließlich aber nicht beschränkt auf Fadenköpfe, Antriebsriemen, Kupplungen, Klängen von Heckenschneidern oder Rasenmähern, Gurtzeug, Gaszügen, Kohlebürsten, Netzkabel, Zinken, Filzunterlegscheiben, Anhangsstifte, Gebläse, Gebläse- und Saugschläuche, Saugbeutel und Riemen, Führungsschienen, Sägeketten, Schläuche, Anschlüsse, Sprühdüsen, Räder, Sprühdüsen, innere Rollen, äußere Spulen, Schneidfäden, Zündkerzen, Luftfilter, Treibstofffilter, Mulchmesser usw.
- Zur Wartung muss das Produkt eingeschickt werden oder einem für jedes Land in der folgenden Liste aufgeführten autorisierten RYOBI Kundendienst gebracht werden. In einigen Ländern schickt Ihr örtlicher RYOBI Händler das Produkt an den RYOBI Kundendienst. Wenn ein Produkt an den RYOBI Kundendienst geschickt wird, sollte es sicher verpackt werden, ohne gefährlichen Inhalt, wie Treibstoff, mit der Absenderadresse versehen sein und eine kurze Beschreibung des Fehlers enthalten.
- Reparatur/Ersatz unter dieser Garantie sind kostenfrei. Das stellt keine Verlängerung oder Neustart der Garantiezeit dar. Ausgewechselte Teile oder Werkzeuge treten in unseren Besitz über. In einigen Ländern müssen Lieferkosten oder Postgebühren von dem Absender getragen werden.
- Diese Garantie gilt in der Europäische Gemeinschaft, Schweiz, Island, Norwegen, Liechtenstein, Türkei und Russland. Bitte kontaktieren Sie Ihren autorisierten RYOBI-Händler, um herauszufinden ob eine andere Gewährleistung außerhalb dieser Gebiete gültig ist.

AUTORISIERTER KUNDENDIENST

Besuchen Sie <http://de.ryobitools.eu/header/service-and-support/service-agents>, um einen autorisierten Kundendienst in Ihrer Nähe zu finden.

ES GARANTÍA

Además de cualquier derecho estatutario derivado de la compra, este producto está cubierto con la siguiente garantía.

- El período de garantía es de 24 meses para los consumidores y comienza a partir de la fecha de compra del producto. Esta fecha debe demostrarse con una factura u otra prueba de compra. El producto está diseñado y destinado al consumidor y únicamente para uso privado. Por tanto, no se ofrece ninguna garantía en caso de uso profesional o comercial.
- En algunos casos (como promociones o un conjunto de herramientas) existe la posibilidad de ampliar el período de garantía hasta el período descrito anteriormente mediante el registro en el sitio web www.ryobitools.eu. La elegibilidad de la herramienta se muestra claramente en las tiendas o en el embalaje. El usuario final debe registrar sus herramientas recién adquiridas en línea en los 8 días siguientes a la fecha de compra. El usuario final podrá registrarse para ampliar la garantía en su país de residencia si éste aparece en el formulario de registro en línea en que esta opción es válida. Además, los usuarios finales deben dar su consentimiento para que se guarden los datos que se solicitan para entrar en línea y aceptar los términos y condiciones. El recibo de la confirmación de registro, que se enviará por correo electrónico, y la factura original que muestre la fecha de compra servirán como prueba de la ampliación de la garantía. Sus derechos estatutarios permanecerán intactos.
- La garantía cubre, durante el período de garantía, todos los defectos del producto que se deban a fallos de la mano de obra o a fallos del material en la fecha de compra. La garantía tiene un límite de reparación o sustitución y no incluye ninguna otra obligación se deba a, aunque sin limitarse a ello, daños accidentales o incidentales. La garantía no es válida si se ha hecho un uso inadecuado del producto, si no se ha usado siguiendo el manual de instrucciones o si se ha conectado incorrectamente. Esta garantía no se aplica a:
 - cualquier daño del producto derivado de un mantenimiento inadecuado
 - cualquier producto que haya sido alterado o modificado
 - cualquier producto en el que las marcas de identificación originales (marca comercial, número de serie) hayan sido borradas, modificadas o eliminadas
 - cualquier daño causado por el incumplimiento del manual de instrucciones
 - cualquier producto que no sea CE
 - cualquier producto que haya intentado reparar un profesional no cualificado o sin una autorización previa de Techtronic Industries
 - cualquier producto conectado a un suministro eléctrico inadecuado (amperios, tensión, frecuencia)
 - cualquier producto utilizado con una mezcla de combustible inadecuada (combustible, aceite, porcentaje de aceite)
 - cualquier daño causado por influencias externas (de productos químicos, daños físicos, descarga eléctrica) o sustancias extrañas
 - desgaste o rotura normal de las piezas de repuesto
 - uso inadecuado, sobrecarga de la herramienta
 - uso de accesorios o piezas no homologados
 - carburador después de 6 meses, ajustes del carburador después de 6 meses
 - componentes (piezas y accesorios) sujetos a un desgaste o rotura natural, incluyendo, aunque sin limitarse a ello, las perillas de las bombas, correas de transmisión, embrague, cuchillas de cortasetos o cortacéspedes, arnés, acelerador, escobillas de carbón, cable de alimentación, horquillas, arandelas de fieltro, pasadores de enganche, ventiladores, tubos de ventilador y de vacío, correas y bolsas de vacío, barras de guía, sierras de cadena, mangueras, accesorios de conexión, boquillas pulverizadoras, ruedas, varas rioradoras, carretes interiores y exteriores, hilos de corte, bujías, filtros de aire, filtros de gas, cuchillas de trituración, etc.
- Para el servicio, el producto debe enviarse o entregarse en un punto de servicio técnico autorizado RYOBI enumerado para cada país en la siguiente lista de direcciones de servicio técnico. En algunos países su distribuidor local RYOBI se encarga de enviar el producto a la organización del servicio de RYOBI. Al enviar un producto a un punto de servicio técnico RYOBI, el producto debe embalarse de forma segura sin que contenga ninguna sustancia peligrosa como petróleo, debe llevar la dirección del remitente e ir acompañado de una breve descripción del fallo.
- Una reparación/sustitución dentro de esta garantía se realiza de forma gratuita. No constituye una ampliación ni un reinicio del período de garantía. Las piezas o herramientas que se cambian pasan a ser de nuestra propiedad. En algunos países los gastos de envío o del franqueo deberá pagarlos el remitente.
- Esta garantía es válida en la Comunidad Europea, Suiza, Islandia, Noruega, Liechtenstein, Turquía y Rusia. Fuera de estas zonas, póngase en contacto con su distribuidor autorizado RYOBI para determinar si se aplica otra garantía.

SERVICIO TÉCNICO AUTORIZADO

Para encontrar el servicio técnico autorizado más cercano, visite <http://uk.ryobitools.eu/header/service-and-support/service-agents>.



IT GARANZIA

Oltre ai legittimi diritti derivanti dall'acquisto del prodotto, quest'ultimo è coperto da garanzia come indicato nei seguenti punti.

1. Il periodo di garanzia per il consumatore è di 24 mesi ed ha inizio dalla data in cui il prodotto è stato acquistato. Questa data deve essere documentata da una ricevuta o da altra prova d'acquisto. Il prodotto è stato disegnato e progettato solo per l'utilizzo privato del consumatore. La garanzia viene invalidata in caso di utilizzo professionale o commerciale.
2. In alcuni casi (per esempio promozioni e gamme di prodotti) esiste la possibilità di estendere il periodo di garanzia oltre il periodo indicato sopra registrandosi sul sito web www.ryobitools.eu. L'idoneità del prodotto a rievolvere tale estensione viene indicata chiaramente nei punti vendita e/o sull'imballo. L'utente finale deve registrare il suo prodotto appena acquistato online entro 8 giorni dalla data d'acquisto. L'utente finale può accedere all'offerta nel suo paese quando la stessa è valida e qualora si sia registrato online. Inoltre, gli utenti finali devono dare il proprio consenso all'archiviazione dei dati che si inseriscono online indicando che i termini e le condizioni sono stati accettati. La ricezione della conferma della registrazione verrà inviata via email e la fattura originale indicante la data d'acquisto verrà utilizzata come prova della garanzia estesa. I diritti legittimi dell'utente rimarranno invariati.
3. La garanzia copre tutti i difetti di fabbricazione del prodotto durante il periodo di garanzia a causa di guasti di fabbricazione o di materiale alla data di acquisto. La garanzia è limitata alla riparazione e/o alla sostituzione e non include altri obblighi compreso ma non limitato a danni incidentali o consequenziali. La garanzia non è valida se il prodotto non è stato utilizzato come indicato nel manuale di istruzioni o se è stato collegato in maniera non corretta. La garanzia non si applica a:
 - qualsiasi danno al prodotto che sia il risultato di una scorretta manutenzione
 - qualsiasi prodotto che sia stato alterato o modificato
 - qualsiasi prodotto sul quale l'identificazione originale (marchio registrato, numero di serie) sia stata resa illegibile, sia stata danneggiata o alterata
 - qualsiasi danno causato dalla non osservanza del manuale d'istruzioni
 - qualsiasi prodotto non contrassegnato con il marchio CE
 - qualsiasi prodotto che una persona non qualificata abbia tentato di riparare o che si è tentato di riparare senza l'autorizzazione delle Techtronisianoc Industries
 - qualsiasi prodotto collegato a un'alimentazione non corretta (per amp, voltaggio, frequenza)
 - qualsiasi prodotto utilizzato con la miscela scorretta di carburante (carburante, olio, percentuale d'olio)
 - qualsiasi danno causato da agenti esterni (chimici, fisici o shock) o da sostanze estranee
 - normale usura di parti di ricambio
 - utilizzo non appropriato, sovraccaricamento di utensili
 - utilizzo non approvato di accessori o parti
 - carburatore dopo 6 mesi, regolazioni al carburatore dopo 6 mesi
 - componenti (parti e accessori) soggetti alla normale usura, compreso ma non limitato a manopole di avviamento a spinta, cinghie di trasmissione, frizione, lame di sfondatori o tagliaerba, cablaggio, cavo dell'acceleratore, spazzole al carbonio, cavi dell'alimentazione, lancette, rondelle in feltro, perni di aggancio, ventole del soffiatore, tubi del soffiatore e dell'aspirapolvere, sacchetti e cinghie dell'aspirapolvere, barre di guida, catene della motosega, tubi, raccordi del commutatore, ugelli a spruzzo, ruote, bacchette a spruzzo, bobine interne, bobine esterne, fili di taglio, candele, filtri dell'aria, filtri del gas, lame di triturazione, ecc.
4. Per servizi di manutenzione, il prodotto dovrà essere mandato o presentato presso un punto di servizio clienti autorizzato RYOBI indicato nella seguente lista. In alcune nazioni il rivenditore RYOBI si occuperà di inviare il prodotto al più vicino servizio clienti Ryobi. Quando si invia un prodotto a un servizio clienti RYOBI, il prodotto dovrà essere correttamente imballato senza eventuali contenuti pericolosi quali carburanti, e contrassegnato con l'indirizzo della persona che lo ha inviato e accompagnato da una breve descrizione del problema riscontrato.
5. Si garantisce una riparazione/sostituzione gratuita quando il prodotto è coperto da garanzia. Questa sostituzione o riparazione non costituisce una estensione o un nuovo inizio di un periodo di garanzia. Le parti o l'utensile cambiati sono di proprietà della ditta. In alcune nazioni i costi di consegna o invio dovranno essere pagati dalla persona che spedisce.
6. Questa garanzia è valida all'interno della Comunità Europea, in Svizzera, Islanda, Norvegia, Liechtenstein, Turchia e Russia. Al di fuori di queste aree, si prega di contattare il proprio gestore autorizzato RYOBI per determinare se si applica un'altra garanzia.

CENTRO SERVIZI AUTORIZZATO

Per individuare il più vicino centro servizi autorizzato, visitare il sito <http://uk.ryobitools.eu/header/service-and-support/service-agents>.

NL GARANTIE

Bovenop de statutaire rechten als gevolg van de aankoop, wordt dit product gedekt door een garantie, zoals deze hieronder wordt beschreven.

1. De garantietermijn bedraagt 24 maanden voor consumenten en begint vanaf de datum waarop het product werd aangekocht. Deze datum moet worden gedocumenteerd door een factuur of ander aankoopbewijs. Het product is uitsluitend ontworpen en bedoeld voor particuliere gebruikers. De garantie vervalt bij professioneel of commercieel gebruik.
2. In enkele gevallen (vb. promotie, gereedschapsaanbod) bestaat er een mogelijkheid om de garantietermijn te verlengen met dezelfde periode als deze hierboven beschreven met behulp van de registratie op de website www.ryobitools.eu. Of het product al of niet in aanmerking komt, is duidelijk aangegeven in winkels en/of de verpakking. De eindgebruiker dient zijn/haar nieuw werktuig binnen de 8 dagen na de aankoopdatum online registreren. De eindgebruiker kan zich aanmelden voor de uitgebreide garantie in zijn verblijfsland als dit op het online registratieformulier is opgenomen wanneer deze optie geldig is. Bovendien moet de eindgebruiker zijn toestemming geven om informatie te gebruiken die nodig is om toegang te krijgen tot de website en dient de algemene voorwaarden te accepteren. Het ontvangstbewijs van dit registratieformulier, dat via e-mail wordt verzonden, en de originele factuur die de aankoopdatum vermeldt dienen als bewijs van de uitgebreide garantie. Uw statutaire rechten blijven onveranderd.
3. De garantie dekt alle defecten van het product gedurende de garantietermijn als gevolg van fouten in het werk of materiaal op de aankoopdatum. De garantie is beperkt tot de reparatie en/of vervanging en omvat geen andere verplichtingen waaronder, maar niet beperkt tot, incidentele of gevolgschade. De garantie is niet geldig als het product werd misbruikt, in tegenspraak met de gebruiksaanwijzing werd gebruikt of foutief werd verbonden. Deze garantie geldt niet voor:
 - schade aan het product als gevolg van foutief onderhoud
 - als het product op enigerlei wijze werd gewijzigd
 - als originele markeringen ter identificatie (handelsmerk, serienummer) van het product werden verwijderd of gewijzigd
 - voor schade als gevolg van het niet in acht nemen van deze gebruiksaanwijzing
 - een niet EC-product
 - een product, waaraan een niet-gekwalificeerde vakman reparaties uitvoerde of waaraan reparaties werden uitgevoerd zonder voorafgaande toestemming van Techtronic Industries
 - een product dat werd aangesloten aan een foutieve krachtbron (amps, spanning, frequentie)
 - een product dat met een ongeschikt brandstofmengsel (brandstof, olie, oliepercentage) werd gebruikt
 - schade veroorzaakt door externe invloeden (chemische, fysieke schokken) of vreemde stoffen
 - normale slijtage van reserve-onderdelen
 - foutief gebruik, overbelasting van het werktuig
 - gebruik van niet-goedgekeurde accessoires of onderdelen
 - de carburator na 6 maanden, carburatorafstellingen na 6 maanden
 - componenten (onderdelen en accessoires) die onderworpen zijn aan slijtage, met inbegrip van, maar niet beperkt tot stookknoppen, aandrijfriemen, koppeling, snijbladen van heggentrimmers of grasmaaimachines, harnassen, versnellingskabels, koolborstels, stroomsnoeren, tanden, viltrennen, trekpenen, ventilatoren, blazer- en vacuümbuizen, stofzuigzakken en -riemen, geleiders, zaagkettingen, slangen, connectoren, sproeimodellen, wielen, sproeiërs, inwendige spoelen, uitwendige spoelen, maaijlijnen, bougies, luchtfilters, gasfilters, struikruimbladen, etc.
4. Voor onderhoud moet het product naar een geautoriseerd RYOBI-onderhoudsstation worden gestuurd of gebracht. Een lijst met de adressen van deze stations per land is hier opgenomen. In bepaalde landen verzendt uw plaatselijke RYOBI-verdeler het product naar de RYOBI-onderhoudsorganisatie. Als een product naar een RYOBI-onderhoudsstation wordt gezonden, moet het product veilig zijn verpakt zonder gevaarlijke inhoud, zoals benzine, met aanduiding van het adres van de verzender en met inbegrip van een korte beschrijving van de fout.
5. Een reparatie/vervanging onder deze garantie is gratis. Dit heeft geen gevolgen voor de duur van deze garantie of betekent niet dat de garantie wordt verlengd of opnieuw begint. Vervangen onderdelen of werktuigen worden onze eigendom. In bepaalde landen moeten verzendings- of leveringskosten door de verzender worden betaald.
6. Deze garantie is geldig in de Europese Unie, Zwitserland, IJsland, Noorwegen, Liechtenstein, Turkije en Rusland. Buiten deze landen neemt u contact op met uw geautoriseerde RYOBI-verdeler om te bepalen of er een andere garantie geldt is.

GEAUTORISEERD ONDERHOUDSCENTRUM

Om een geautoriseerd onderhoudscentrum in uw buurt te vinden, surf u naar <http://uk.ryobitools.eu/header/service-and-support/service-agents>.



PT GARANTIA

Além de qualquer direito estatutário derivado da compra, este produto está coberto com a seguinte garantia.

- O período de garantia é de 24 meses para os consumidores e começa a partir da data de compra do produto. Esta data deve ser comprovada com uma factura ou outra prova de compra. O produto foi desenhado e destinado ao consumidor e apenas para uso privado. Portanto, não se oferece qualquer garantia em caso de uso profissional ou comercial.
- Em alguns casos (como promoções ou um conjunto de ferramentas) existe a possibilidade de ampliar o período de garantia até ao período descrito anteriormente através do registo no website www.ryobitools.eu. A elegibilidade da ferramenta mostra-se claramente nas lojas ou na embalagem. O utilizador final deve registar as suas ferramentas recém-adquiridas on-line nos 8 dias seguintes à data de compra. O utilizador final poderá registar-se para ampliar a garantia no seu país de residência se este aparecer no formulário de registo on-line em que esta opção é válida. Além disso, os utilizadores finais devem dar o seu consentimento para se guardarem os dados que se solicitam para entrar on-line e aceitar os termos e condições. A confirmação de registo, que será enviada por correio electrónico, e a factura original que mostre a data de compra servirão como prova da ampliação da garantia. Os seus direitos estatutários permanecerão intactos.
- A garantia cobre, durante o período de garantia, todos os defeitos do produto que se devam a falhas da mão-de-obra ou a falhas do material na data de compra. A garantia tem um limite de reparação ou substituição e não inclui qualquer outra obrigação que se deva a, embora sem se limitar a tal, danos acidentais ou incidentais. A garantia não é válida se se fez um uso inadequado do produto, se não se usou seguindo o manual de instruções ou se foi ligado incorrectamente. Esta garantia não se aplica a:
 - qualquer dado do produto derivado de uma manutenção inadequada
 - qualquer produto que tenha sido alterado ou modificado
 - qualquer produto em que as marcas de identificação originais (marca comercial, número de série) tenham sido apagadas, modificadas ou eliminadas
 - qualquer dano causado por incumprimento do manual de instruções
 - qualquer produto que não seja CE
 - qualquer produto que um profissional não qualificado tenha tentado reparar ou sem uma autorização prévia de Techtronic Industries
 - qualquer produto ligado a um fornecimento eléctrico inadequado (amperios, tensão, frequência)
 - qualquer produto utilizado com uma mistura de combustível inadequada (combustível, óleo, percentagem de óleo)
 - qualquer dano causado por influências externas (de produtos químicos, danos físicos, descarga eléctrica) ou substâncias estranhas
 - desgaste ou ruptura normal das peças de substituição
 - uso inadequado, sobrecarga da ferramenta
 - uso de acessórios ou peças não homologadas
 - carburador após 6 meses, ajustes do carburador após 6 meses
 - componentes (peças e acessórios) sujeitos a um desgaste ou ruptura natural, incluindo, embora sem se limitar a tal, os botões de embate, correias de transmissão, embraiagem, lâminas de corta-arbustos ou corta-relvas, ameses, acelerador, escovas de carvão, cabo de alimentação, forquilhas, anilhas de feltro, passadores de gancho, ventiladores, tubos de ventilador e de vácuo, correias e bolsas de vácuo, barras de guia, serras de cadeia, mangueiras, acessórios de ligação, boquilhas pulverizadoras, rodas, varas borrifadoras, carretes interiores e exteriores, fios de corte, velas, filtros de ar, filtros de gás, lâminas de trituração, etc.
- Para o serviço, o produto deve ser enviado ou entregue num ponto de serviço técnico autorizado RYOBI enumerado para cada país na seguinte lista de moradas de serviço técnico. Em alguns países o seu distribuidor local RYOBI encarrega-se de enviar o produto para a organização do serviço de RYOBI. Ao enviar um produto a um ponto de serviço técnico RYOBI, o produto deve ser embalado de forma segura sem que contenha qualquer substância perigosa como petróleo, deve levar a morada do remetente e ir acompanhado de uma breve descrição da falha.
- Uma reparação/substituição dentro desta garantia realiza-se de forma gratuita. Não constitui uma ampliação nem um reinício do período de garantia. As peças ou ferramentas que se alterem passam a ser da nossa propriedade. Em alguns países os gastos de envio ou da franquia deverá pagá-los o remetente.
- Esta garantia é válida na Comunidade Europeia, Suíça, Islândia, Noruega, Liechtenstein, Turquia e Rússia. Fora destas zonas, entre em contacto com o seu distribuidor autorizado RYOBI para determinar se se aplica outra garantia.

CENTRO DE ASSISTÊNCIA AUTORIZADO

Para encontrar um centro de assistência autorizado próximo de si, visite <http://uk.ryobitools.eu/header/service-and-support/service-agents>.

DA GARANTI

Ud over de lovbestemte rettigheder ved køb, er dette produkt dækket af en garanti som angivet nedenfor.

- Garantien er 24 måneder for forbrugerne og træder i kraft den dato, hvor produktet bliver købt. Denne dato skal dokumenteres af en faktura eller andet købsbevis. Produktet er designet og beregnet til privat brug. Så der er ingen garanti i tilfælde af erhvervs-mæssig brug.
- Der er i visse tilfælde (f.eks. kampagner eller udvalgt produkter) mulighed for at forlænge garantien i perioden beskrevet ovenfor ved at registrere produktet på www.ryobitools.dk. Berettigelsen af produktet vises tydeligt i butikker og / eller på emballagen. Slutbrugeren skal registrere hans/hendes nyhvervede produkter online indenfor 8 dage fra købsdatoen. Slutbrugeren kan tilmelde sig den udvidede garanti i sit bopælsland, hvis det er opført på den online tilmeldingsformular. Desuden skal slutbrugere give deres samtykke til lagring af de data, der er nødvendige for at komme ind på nettet, og de er nødt til at acceptere vilkår og betingelser. Kvittingen på modtagelsen af registrering, som udsendes via e-mail, og den originale faktura, der angiver købsdatoen, fungerer som bevis på den udvidede garanti. Dine lovbestemte rettigheder forblive uændret.
- Garantien dækker alle fejl ved produktet i løbet af garantiperioden, som kan føres tilbage til fabrikkens- eller materialefejl på købsdatoen. Garantien begrænser sig til reparation og/eller udskidning og omfatter ikke andre forpligtelser inklusiv, men ikke begrænset til, skader eller følgeskader. Garantien er ikke gyldig, hvis produktet har været udsat for misbrug, anvendelse i strid med brugsanvisningen eller har været tilsluttet forkert. Denne garanti dækker ikke:
 - Enhver skade på produktet som følge af ukorrekt vedligeholdelse
 - Ethvert produkt, som er blevet ændret eller modificeret
 - Ethvert produkt, hvor de originale identifikationsmærker (varemærke, serienummer) er blevet ødelagt, ændret eller fjernet
 - Enhver skade, der skyldes manglende overholdelse af brugsanvisningen
 - Ethvert produkt uden CE-mærkning
 - Ethvert produkt, som har været udsat for forsøg på reparation af en uautoriseret fagmand eller uden accept fra Techtronic Industries
 - Ethvert produkt, der har været sluttet til forkert strømforsyning (ampere, spænding, frekvens)
 - Ethvert produkt, der har været anvendt med forkert brændstofblanding (brændstof, olie, olieforhold)
 - Enhver skade, der skyldes udefra kommende påvirkninger (kemisk, fysisk, stød) eller fremmedlegemer
 - Normal slitage på reservedele
 - Forkert anvendelse, overbelastning af produktet
 - Brug af ikke-godkendt tilbehør eller (reserve)dele
 - Karburator efter 6 måneder, karburatorjusteringer efter 6 måneder
 - komponenter (dele og tilbehør), der har været udsat for naturlig slitage, inklusive, men ikke begrænset til, afstandsknopper, drivremme, kobling, klinger på hækkeklippere eller plæneklippere, seler, gaskabel, kulbørster, strømforsyningskabel, knive, filtknive, låsestifte, blæseventilatorer, blæse- og indsuigningsrør, sugepose og stropper, styresværd, savkæder, slanger, tilslutningsfittings, sprøjtedyser, hjul, sprøjtetave, indvendige hjul, udvendige spoler, skæretråd, tændrør, luftfilter, gasfilter, bioklip-klinger, mv.
- Til servicering skal produktet indleveres til eller forevises et autoriseret RYOBI serviceværksted for det pågældende land. I nogle lande vil din lokale RYOBI-forhandler sende produktet til RYOBI's serviceorganisation. Når et produkt indleveres til et RYOBI serviceværksted, skal det emballeres forsvarligt uden farligt indhold (som f.eks. benzin), være forsynet med afsenderadresse og ledsaget af en kort beskrivelse af fejlen.
- Reparation/udskifning i henhold til denne garanti er gratis. Den medfører ikke forlængelse eller ny start af garantiperioden. Udskiftede dele eller værktøjer overgår til vores ejendom. I nogle lande skal leveringsomkostninger eller porto betales af afsenderen.
- Denne garanti er gyldig i EU, Schweiz, Island, Norge, Liechtenstein, Tyrkiet og Rusland. Uden for disse områder bedes man venligst kontakte sin autoriserede RYOBI-forhandler for at få opklaret, om evt. andre garantier er gældende.

AUTORISERED SERVICE/VERKSTEDER

Find nærmeste autoriserede serviceværksted på <http://dk.ryobitools.eu/header/service-and-support/service-agents>.

SV GARANTI

Förutom de lagstadgade rättigheter som följer köpet omfattas denna produkt av en garanti som anges nedan.

- Garantitiden är 24 månader för konsumenter och börjar den dag då produkten köptes. Detta datum måste kunna dokumenteras av en faktura eller annat inköpsbevis. Produkten är utformad och avsedd för konsumenter och ska endast användas för privat bruk. Det innebär att ingen garanti lämnas vid yrkesmässig eller kommersiell användning.
- I vissa fall (t.ex. marknadsföring, sortiment av verktyg), finns det en möjlighet att förlänga garantitiden under den period som beskrivs ovan genom registrering på hemsidan www.ryobitools.eu. De verktyg det gäller för framgår tydligt i butikker och/eller på förpackningen. Slut användaren måste registrera sitt nyinköpta verktyg på nätet inom 8 dagar från inköpsdatum. Slut användaren kan registrera sig för den utökade garantitiden i sitt hemland om det framgår av registreringsformuläret online där detta alternativ är giltigt. Dessutom måste slut användarna ge sitt samtycke till lagring av de uppgifter som krävs för att komma in på nätet och de måste godkänna villkoren. Registreringens mottagningsbevis som skickas ut via e-post och den ursprungliga fakturan som visar inköpsdatum fungerar som bevis på förlängd garantitid. Dina lagstadgade rättigheter påverkas inte.
- Garantin täcker alla fel på produkten under garantitiden som beror på fel i utförande eller material vid inköpsdatumet. Garantin är begränsad till reparation och/eller utbyte och inkluderar inte några andra åtaganden, inklusive men inte begränsat till oförutsedda skador eller följdskador. Garantin gäller inte om produkten har använts på fel sätt, använts på ett sätt som inte följer användarhandboken eller som har anslutits på ett felaktigt sätt. Denna garanti gäller inte för:
 - skador på produkten som beror på felaktigt underhåll
 - om produkten har ändrats eller modifierats
 - en produkt där den ursprungliga identifieringen (varumärke, serienummer) har förstörts, ändrats eller tagits bort
 - skador som orsakas av att användarhandboken inte har följts
 - alla produkter som inte följer CE-bestämmelser
 - en produkt som en icke-kvalificerad yrkesperson eller en person som inte har behörighet från Technronic Industries har försökt att reparera
 - en produkt som ansluts till eluttaget (ampere, spänning, frekvens) på fel sätt
 - en produkt som används med olämplig bränsleblandning (bränsle, olja, procent av olja)
 - skador som orsakas av yttre påverkan (kemiska, fysikaliska, stötar) eller främmande ämnen
 - normalt slitage av reservdelar
 - felaktig användning, överbelastning av verktyget
 - användning av icke-godkända tillbehör eller delar
 - förgasare efter 6 månader, justering av förgasare efter 6 månader
 - komponenter (delar och tillbehör) med förbehåll för normalt slitage, inklusive men inte begränsat till stötknappar, drivremmar, koppling, blad av häcksaxar eller gräsklippare, sele, kabelhållare, kolborstar, nätkabel, pinnar, filtbrickor, hitchkopplingar, blåsfåtkar, fläkt- och vakuumpör, vakuumpåse och remmar, ledskenor, sågkedjor, slangar, anslutningar, sprutmunstycken, hjul, sprayanordningar, inre spolar, yttre spolar, skärande linjer, tändstift, luftfilter, gasfilter, marktäckningsblad, osv.
- För service, måste produkten skickas eller presenteras till en RYOBI-godkänd servicestation som anges för varje land i följande lista med adresser. I vissa länder ombesörjer den lokala RYOBI-återförsäljaren att skicka produkten till RYOBI-serviceorganisationen. När en produkt skickas till en RYOBI-servicestation, ska produkten förpackas på ett säkert sätt utan farligt innehåll som bensin, märkt med avsändarens adress tillsammans med en kort som beskriver felet.
- En reparation/utbyte som sker under denna garanti är gratis. Den utgör inte en förlängning eller en ny start på garantitiden. Utbyts delar eller verktyg blir vår egendom. I vissa länder måste leveranskostnader eller porto betalas av avsändaren.
- Denna garanti gäller i EU, Schweiz, Island, Norge, Liechtenstein, Turkiet och Ryssland. Utanför dessa områden ska du kontakta din auktoriserade RYOBI-återförsäljare för att avgöra om en annan garanti gäller.

AUKTORISERAT SERVICECENTER

Du hittar närmaste auktoriserade servicecenter genom att gå till <http://uk.ryobitools.eu/header/service-and-support/service-agents>.

FI TAKUU

Hankinnasta kuitioivien laillisten oikeuksien lisäksi tätä tuotetta hallitsee alla kuvattu takuu.

- Takuukausi on 24 kuukautta kuluttajille ja alkaa tuotteen ostopäivästä. Tämän päivän on oltava merkitty kuittiin tai muuhun todisteseen hankinnasta. Tämä tuote on suunniteltu ja tarkoitettu ainoastaan kuluttajien yksityiskäyttöön. Ammatti- ja kaupalliseen käyttöön ei näin ollen ole takuuta.
- Joissain tapauksissa (kuten tarjous, laitesarja) takuukautta voidaan pidentää kuvattua kautta pidemmäksi rekisteröimällä tuote osoitteessa www.ryobitools.eu. Takuun pidentymismahdollisuus ilmoitetaan selkeästi kaupassa jätai pakkauksessa. Loppukäyttäjän on rekisteröitävä uusi laitteensa online 8 päivän sisällä sen hankkimisesta. Loppukäyttäjän voi rekisteröityä saadakseen jatkettun takuun asuinmaassaan, jos se mainitaan online-rekisteröintilomakkeessa. Lisäksi, loppukäyttäjän on annettava suostumuksensa tallentaa syötetyt tiedot online, ja hänen on hyväksyttävä ehdot. Sähköpostitse lähetettävä rekisteröintivahvistus ja alkuperäinen kuitti, josta ilmenee hankintapäivä, toimivat todistena takuun jatkamisesta. Lailliset oikeudet eivät muutu.
- Takuu kattaa tapauksissa kaikki tuotteen viat, jotka johtuvat valmistus- tai materiaaliavista hankintapäivänä. Takuu rajoittuu korjaukseen ja/ tai vaihtoon eikä sisällä mitään muita velvoitteita, mukaan lukien mm. satunnaiset ja seuraamukselliset vauriot. Takuu ei ole voimassa, jos tuotetta on väärinkäytetty tai käytetty käyttöoppaan vastaisesti tai se on kytketty virheellisesti. Takuu ei kata seuraavia:
 - tuotteelle koituneet vahingot, jotka johtuvat virheellisestä ylläpidosta
 - tuote, jota on muunneltu
 - tuote, jossa alkuperäiset tunnisteet (tavaramerkki, sarjanumero) ovat turmeltuneet tai niitä on muutettu tai ne on poistettu
 - käyttöoppaan laiminlyönnistä johtuvat vauriot
 - ei-EC-tuotteet
 - tuotteet, jolla on yrittänyt korjata ei-pätevä asentaja tai jonka korjaukselle ei ole saatu Technronic Industriesiltä hyväksyntää etukäteen
 - tuotteet, jotka on kytketty vääränlaiseen virtalähteeseen (virta, jännite, taajuus)
 - tuote, jossa on käytetty virheellistä polttoaineseosta (polttoaine, öljy, öhlyn osuus)
 - vauriot, jotka johtuvat ulkoisista syistä (kemikaalit, fyysiset tekijät, iskut) tai vieraista aineista
 - normaali varaosien kuluminen
 - virheellinen käyttö, laitteen ylikuormitus
 - muiden kuin hyväksytyjen lisävarusteiden ja osien käyttö
 - kaasutin 6 kuukauden jälkeen, kaasuttimen säätö 6 kuukauden jälkeen
 - komponentit (osat ja lisävarusteet), joihin kohdistuu luonnollista kulumista, mukaan lukien mm. napautuspuit, vetohihnat, kytin, pensastrimmerien ja ruohonleikkurien terät, valjaat, kaapelikaasutin, hiilijarhat, virtajohto, piikit, huopavälilevyt, sokat, puhallimet, puhallin- ja imuputket, polynimurin pussit ja hihnat, terälevyt, teräketjut, letkut, liittimet, suuttimet, pyörät, suihkuputket, sisäkelat, ulkoiset kelat, leikkusuimat, sytytystulpat, ilmansuodattimet, polttoainesuodattimet, silppuriterät jne.
- Huollon saaminen edellyttää, että tämä tuote lähetetään tai viedään RYOBI:n valtuuttamaan huoltoon, jotka luetaan maittain seuraavassa huoltojen osoiteluettelossa. Joissain maissa paikallinen RYOBI-jälleenmyyjä hoitaa tuotteen lähettämisen RYOBI-huoltoon. Kun tuote lähetetään RYOBI-huoltoon, se on pakattava turvallisesti ilman mitään vaarallista sisältöä, kuten bensiniä, siihen on merkittävä lähettäjän osoite ja sen mukana on lähetettävä vian kuvaus.
- Tämän takuun puitteissa tapahtuva korjaaminen/vaihto on ilmaista. Se ei merkitse takuujakson jatkamista tai uuden kauden alkua. Vaihdetuista osista ja laitteista tulee meidän omaisuuttamme. Joissain maissa lähettäjän on maksettava toimituskulut tai postimaksu.
- Tämä takuu on voimassa Euroopan Yhteisössä, Sveitsissä, Islannissa, Norjassa, Liechtensteinissa, Turkissa ja Venäjällä. Jos olet näiden alueiden ulkopuolella, ota yhteys valtuutettuun RYOBI-jälleenmyyjään, joka voi kertoa, onko joku muu takuu voimassa.

VALTUUTETTU HUOLTO

Valitse lähimmän valtuutetun huollon sivulta <http://fi.ryobitools.eu/header/service-and-support/service-agents>.

NO GARANTI

I tillegg til enhver lovbestemt rettighet som følge av dette kjøpet er dette produktet dekket av en garanti som beskrevet nedenfor.

- Garantitiden er 24 måneder for forbrukere, og starter på produktets kjøpsdato. Denne datoen må dokumenteres av faktura eller annet kjøpsbevis. Produktet er konstruert og beregnet på forbrukere og kun privat bruk. Det gis ingen garanti ved profesjonell eller kommersiell bruk.
- Det er, i noen tilfeller, (dvs. markedsføring, serie av verktøy), mulig å utvide garantien ut over den perioden som er nevnt ovenfor ved bruk av registrering på nettstedet www.ryobitools.eu/Verktoys_garantiberegtelse vises klart i butikkene og/eller på emballasjen. Sluttbruker må registrere sitt nylig innkjøpte verktøy på nettet innen 8 dager etter kjøpsdatoen. Sluttbruker kan registrere seg for utvidet garanti i det landet hvor vedkommende bor hvis dette landet er ført opp på nettregistreringsskjemaet hvor dette alternativet er gyldig. Sluttbruker må også gi sin tillatelse til lagring av de data som er påkrevet å registrere på nettet, og må akseptere vilkår og betingelser. Registreringsbekreftelesen, som sendes som epost, og den originale kvitteringen som viser kjøpsdatoen, vil gjelde som bevis på den utvidede garantien. Dine lovbestemte rettigheter vil fortsatt gjelde.
- Garantien gjelder alle defekter på produktet i garantitiden som følge av feil på arbeid eller materialer på kjøpsdatoen. Garantien er begrenset til reparasjon og/eller utskifting av produktet, og inkluderer ingen annen forpliktelse, inklusive men ikke begrenset til tilfældige eller direkte eller indirekte følgeskader. Garantien gjelder ikke dersom produktet er misbrukt, brukt i strid med brukermanualens instruksjoner eller vært feilaktig tilkoblet. Denne garantien gjelder ikke:
 - enhver skade på produktet som følge av utilstrekkelig vedlikehold
 - et produkt som er endret eller modifisert
 - ethvert produkt hvor original identifikasjonsmerke (varemerke, serienummer) er tildekket, endret eller fjernet
 - enhver skade som følge av at instruksjoner i brukermanualen ikke er fulgt
 - ethvert ikke-CE-produkt
 - ethvert produkt som er forsøkt reparert av en ukvalifisert person, eller uten forutgående tillatelse av Techntron Industries
 - ethvert produkt som er tilkoblet uriktig strømkilde (ampere, spenning, frekvens)
 - ethvert produkt som er brukt med feil drivstoffblanding (drivstoff, olje, prosentvis andel olje)
 - enhver skade forårsaket av eksterne påvirkninger (kjemiske, fysiske eller slag) eller fremmede substanser
 - normal slitasje på reservedeler
 - feilaktig bruk, overbelastning av verktøyet
 - bruk av ikke godkjent tilbehør eller reservedeler
 - forgasser etter 6 måneder, forgasserjusteringer etter 6 måneder
 - komponenter (deler og tilbehør) gjenstand for naturlig slitasje, inklusive men ikke begrenset til dunkeknotter, drivreimer, clutch, kniver på hekklippere eller gressklippere, seler, gasswire, karbonborster, elektriske ledninger, tenner, filtpakninger, skaftpinner, blåseviser, blåse- og sugeslanger, oppsamlingsposer, motorsagsverd, sagkjeder, slanger, tilkoblingsdeler, spraytøysver, hjul, spraytestaver, innvendige ruller, utvendige spoler, klippesnorer, tennplugg, luffiltere, gassfiltere, oppkappingsblader, etc.
- For ettersyn og reparasjoner må produktet leveres til et RYOBI-autorisert servicesenter før opp for det enkelte land i følgende liste av servicesentersadresser. I noen land vil din lokale RYOBI-forhandler sørge for å sende produktet til RYOBI's serviceorganisasjon. Når et produkt sendes til en RYOBI servicesentersom må produktet være forsvarlig emballert uten farlig innhold som bensin, merket med senders navn og adresse og medsendt en kort beskrivelse av feilen.
- En reparasjon/utskifting i henhold til denne garantien er gratis. Den representerer ikke en forlengelse av garantiperioden eller en ny start på garantiperioden. Utskiftede deler eller verktøy blir vår eiendom. I noen land vil leveringskostnader eller porto måtte betales av sender.
- Denne garantien er gyldig i EU, Sveits, Island, Norge, Liechtenstein, Tyrkia og Russland. Utenfor disse områdene ber vi om at du kontakter en autorisert Ryobi-forhandler for å finne ut om en annen garanti gjelder.

AUTORISERT SERVICESENTER

For å finne et autorisert servicesenter i nærheten, gå til <http://no.ryobitools.eu/header/service-and-support/service-agents>.

RU ГАРАНТИЯ

В дополнение к законным правам, вытекающим из факта покупки, на данный продукт распространяются следующие гарантийные обязательства.

- Гарантийный период составляет 24 месяца для покупателей и начинается с даты приобретения продукта. Дата приобретения подтверждается документально товарным чеком или другим доказательством покупки. Данный продукт предназначен для использования только в личных целях. Гарантия не предоставляется в случае профессионального или коммерческого использования данного продукта.
- В некоторых случаях (например, при продвижении продукта, приобретении некоторых видов инструментов) возможно продление гарантийного срока при регистрации продукта на веб-сайте www.ryobitools.eu. Применительно к продукту разъясняется в магазинах при продаже и/или на упаковке продукта. Конечному пользователю следует зарегистрировать вновь приобретенный инструмент через Интернет в течение 8 дней с даты покупки. Конечный пользователь может зарегистрировать продукт для получения расширенной гарантии в стране проживания, если данная возможность предоставляется интернет-формой регистрации. Также, конечный пользователь должен дать свое согласие на хранение данных, требуемых при заполнении формы через Интернет, и принять условия соглашения. Уведомление о подтверждении регистрации, отправляемое по электронной почте, и оригинальный товарный чек с датой покупки служат доказательством расширенной гарантии. Законные права потребителя при этом остаются в силе.
- Данная гарантия распространяется на все дефекты продукта, связанные с производственным браком или браком материалов в момент приобретения, в течение гарантийного периода. Данная гарантия ограничивается ремонтом и/или заменой и не включает другие обязательства, в том числе, связанные с побочным или повременным ущербом. Гарантия недействительна в случае ненадлежащего использования, использования с нарушением инструкций руководства по эксплуатации или неправильного подключения продукта. Гарантия недействительна, если:
 - повреждение продукта вызвано ненадлежащим техническим обслуживанием
 - продукт подвергся изменениям или был модифицирован
 - оригинальная маркировка (товарный знак, заводской номер) неудобночитаема, изменена или удалена
 - повреждение вызвано несоблюдением инструкций данного руководства
 - отсутствует маркировка CE
 - была попытка отремонтировать продукт неквалифицированным лицом или без предварительного согласования с компанией Techntron Industries
 - продукт подключался к ненадлежащему источнику питания (ненадлежащая сила тока, напряжение, частота)
 - продукт использовался с недопустимой топливной смесью (топливо, масло, процент содержания масла)
 - повреждение вызвано внешним воздействием (химические, физические, удары) или посторонними веществами
 - это связано с нормальным износом заменяемых деталей
 - это связано с ненадлежащим использованием, перегрузкой инструмента
 - это связано с использованием нереккомендованных принадлежностей или деталей
 - карбюратор использовался свыше 6 месяцев, регулировка карбюратора после 6 месяцев
 - компоненты (детали и принадлежности) подверженные естественному износу, в том числе, колпачки, приводные ремни, муфта, режущие полотна шапалерных ножиц или газонокосилок, крепежные ремни, тросик дроссельной заслонки, угольные щетки, кабель питания, фрезы, фетровые прокладки, шпильки, крыльчатки, выпускные и всасывающие трубки, мешок для мусора и ремешки, пыльные шины, пыльные щели, шланги, соединительные фитинги, распылительные насадки, колеса, распылители, внутренние бобины, внешние бобины, режущие струны, свечи зажигания, воздушные фильтры, газовые фильтры, механизмы для мульчирования и т.п.
- Для проведения технического обслуживания продукт следует представить в официальный центр технического обслуживания компании RYOBI в соответствии со списком по каждой стране. В некоторых странах дилерам компании RYOBI потребуются пересылка продукта в соответствующий сервисный центр компании RYOBI. При отправке продукта в центр технического обслуживания RYOBI, продукт следует упаковать надлежащим образом без содержания любых опасных веществ (таких как бензин) с указанием адреса отправителя и кратким описанием неисправности.
- Ремонт/замена продукта по условиям данной гарантии осуществляются бесплатно. В данном случае не предусмотрено продление срока гарантии или начало нового гарантийного периода. Заменяемые детали или инструмент становятся собственностью компании. В некоторых странах оплата доставки и почтовые расходы ложатся на отправителя.
- Данная гарантия действительна в странах ЕС, Швейцарии, Исландии, Норвегии, Лихтенштейне, Турции и России. Для получения информации о применении данной гарантии в других регионах обращайтесь к официальному дилеру компании RYOBI.

УПОЛНОМОЧЕННЫЙ СЕРВИСНЫЙ ЦЕНТР

Чтобы найти ближайший уполномоченный сервисный центр, обратитесь к веб-сайту <http://uk.ryobitools.eu/header/service-and-support/service-agents>.

PL GWARANCJA

Oprócz wszelkich praw ustawowych wynikających z zakupu, ten produkt jest objęty gwarancją jak podano poniżej.

- Okres gwarancji wynosi 24 miesiące dla konsumentów i rozpoczyna się w dniu, w którym produkt został zakupiony. Ta data musi być udokumentowana przez fakturę lub inny dowód zakupu. Produkt został zaprojektowany i jest przeznaczony wyłącznie do użytku konsumenckiego i prywatnego. W związku z tym gwarancja nie jest udzielana w przypadku zastosowań profesjonalnych i komercyjnych.
- Nie ma, w niektórych przypadkach (promocja tj. zakres narzędzi), możliwość przedłużenia okresu gwarancji w okresie opisanym powyżej przy rejestracji na stronie internetowej www.ryobitools.eu. Kwalifikowalność narzędzia jest wyraźnie określona w sklepach oraz/lub na opakowaniu. Użytkownik końcowy musi zarejestrować swoje nowe zakupione narzędzia online w ciągu 8 dni od daty zakupu. Użytkownik końcowy może zarejestrować się w celu rozszerzenia gwarancji w swoim kraju zamieszkania, jeśli jest on wymieniony w formularzu rejestracji online, kiedy ta opcja jest ważna. Ponadto użytkownicy końcowi muszą wyrazić zgodę na przechowywanie danych, które są wymagane do zalogowania online oraz muszą zaakceptować regulamin. Otrzymanie potwierdzenia rejestracji, które jest wysyłane na adres e-mail oraz oryginalna faktura z podaną datą zakupu będą służyć jako dowód przedłużonej gwarancji. Twoje prawa ustawowe pozostają nienaruszone.
- Gwarancja obejmuje wszystkie wady produktu w okresie gwarancyjnym, spowodowane usterekami w wykonaniu lub materiale w chwili nabycia. Gwarancja jest ograniczona do naprawy oraz/lub wymiany i nie obejmuje żadnych innych obowiązków w tym m.in. odpowiedzialności za szkody przypadkowe lub wtórne. Gwarancja nie jest ważna, jeśli produkt był użytkowany w niewłaściwy sposób, był wykorzystywany w sposób niezgodny z instrukcją obsługi lub był nieprawidłowo podłączony. Ta gwarancja nie obejmuje:
 - uszkodzenia produktu, które jest wynikiem nieprawidłowej konserwacji
 - produktu, który został przerobiony lub zmodyfikowany
 - produktu, w którym zniekształcono, zmieniono lub usunięto oryginalne oznaczenia (nazwę handlową, numer seryjny)
 - uszkodzeń spowodowanych nieprzebraniem instrukcji obsługi produktu bez certyfikatu CE
 - produktu, który był naprawiany przez niewykwalifikowaną osobę lub bez uprzedniej autoryzacji firmy Techtronic Industries
 - produktu podłączonego do nieprawidłowego źródła zasilania (napięcie, napięcie, czystość)
 - produktu używanego z nieprawidłową mieszanką paliwa (paliwo, olej, zawartość procentowa oleju)
 - uszkodzeń spowodowanych przez czynniki zewnętrzne (chemiczne, fizyczne, uderzenia) lub obce substancje
 - normalnego zużycia części zamiennych
 - niewłaściwego użytkowania, przecięcia narzędzia
 - stosowania niezatwierdzonych akcesoriów lub części
 - gaźnika po 6 miesiącach, regulacji gaźnika po 6 miesiącach
 - elementów (części i akcesoriów) podlegających naturalnemu zużyciu, m.in. gałek odbojnikowych, pasów napędowych, sprężki, ostrej nożyc do żywoptłów lub kosiariek, uprząży, przepustnicy, szczołek węglowych, przewodu zasilającego, zębów, podkładek filcowych, sworzní zaczepu, wentylatorów dmuchawy, przewodów dmuchawy i podciśnieniowych, worków próżniowych i pasków, prowadnic, łańcuchów pilarki, przewodów, mocowań złączy, dyszy rozpylających, kółek, lancy rozpylających kat., dmuchawy, dmuchawy i nury próżniowe, torebki próżniowe i paski, prowadnice, bębnowe wewnętrznych, szpulki zewnętrznych, żyłki tnącej, świec zapłonowych, filtrów powietrza, filtrów gazu, ostrej do ściółkowania itp.
- W celu serwisowania produkt należy wysłać lub okazać w autoryzowanym centrum serwisowym RYOBI wymienionym dla każdego kraju na poniższej liście adresów stacji serwisowych. W niektórych krajach lokalny dealer firmy RYOBI zobowiązuje się wysłać produkt do centrum serwisowego firmy RYOBI. W przypadku wysyłki produktu do centrum serwisowego RYOBI, produkt należy dobrze zapakować, bez umieszczenia żadnych niebezpiecznych rzeczy, tj. paliwa i oznaczyć adresem nadawcy oraz krótkim opisem usterek.
- Naprawa/wymiana w ramach tej gwarancji jest bezpłatna. Nie stanowi to przedłużenia lub nowego rozpoczęcia okresu gwarancji. Wymieniane części lub narzędzia stają się naszą własnością. W niektórych krajach koszty wysyłki lub pocztowe będą musiały być opłacone przez nadawcę.
- Ta gwarancja obowiązuje na terytorium Wspólnoty Europejskiej, Szwajcarii, Islandii, Norwegii, Liechtenstein, Turcji i Rosji. Poza tymi obszarami należy skontaktować się z autoryzowanym dealerem RYOBI aby sprawdzić, czy dostępna jest jeszcze inna gwarancja.

AUTORYZOWANY PUNKT SERWISOWY

Najbliższy autoryzowany punkt serwisowy można wyszukać w witrynie internetowej <http://uk.ryobitools.eu/header/service-and-support/service-agents>.

CS ZÁRUKA

Navíc k zákonným právům, které vznikají nákupem, je k výrobku poskytována záruka.

- Záruka je období 24 měsíců pro spotřebitele a začíná běžet datem nákupu produktu. Toto datum musí být zadokumentováno fakturou nebo jiným důkazem o koupi. Tento výrobek je určen a vyhrazen jen pro domácí a soukromé používání. Záruka se tedy nepoužije pro profesionální ani komerční používání.
- Existuje, v některých případech (tj. propagace, určité nástroje), možnost prodloužení doby záruky nad výše uvedené období pomocí registrace na stránkách www.ryobitools.eu. Vhodnost nástroje je jasně vyobrazena v prodejních a/nebo na obalu. Koncový uživatel musí zaregistrovat své nové pořízené nástroje online během 8 dní od data nákupu. Koncový uživatel se může zaregistrovat k prodloužení doby záruky v zemi jeho trvalého bydliště, pokud je uvedeno v online registračním formuláři, kde je tato možnost platná. Navíc musí koncový uživatel poskytnout souhlas s uchováním údajů, které jsou zapotřebí do online registru a musí přijmout podmínky smlouvy. Přijetí potvrzení o registraci, odeslané e-mailem, a originální faktura udávající datum nákupu slouží jako důkaz prodloužené záruky. Vaše zákonná práva zůstávají nedotčena.
- Záruka pokrývá veškeré vady produktu během záruky způsobené vadami při zpracování nebo v materiálu v době nákupu. Záruka se omezuje na opravu a/nebo výměnu a nezahrnuje žádné jiné závazky včetně, ale ne omezeně na souvisící nebo následné škody. Záruka neplatí, pokud, pokud se produkt nesprávně používal, používal v rozporu s návodem nebo byl nesprávně zapojen. Záruku nelze uplatnit v následujících případech:
 - jakákoliv škoda na výrobku v důsledku nesprávné údržby
 - jakýkoliv výrobek byl pozměněn či modifikován
 - jakýkoliv výrobek, kde byly původní identifikační značky (obchodní značka, výrobní číslo) odstraněny, pozměněny či modifikovány
 - jakákoliv škoda způsobená nedodržováním návodu k obsluze
 - výrobek nemá značku CE
 - každý výrobek, kde došlo k pokusu jej opravit nekvalifikovanou osobou nebo bez předchozího souhlasu společnosti Techtronic Industries
 - každý výrobek byl připojen nesprávnému napájení (proud, napětí, frekvence)
 - každý výrobek, který se používal s nesprávnou palivovou směsí (palivo, olej, podíl oleje)
 - veškeré škody byly způsobeny externími vlivy (chemické, fyzické, nárazy) či cizími látkami
 - běžné opotřebení a spotřební náhradní díly
 - nevhodné používání, přetěžování nástroje
 - použití neschválených doplňků nebo dílů
 - karburátor po 6 měsících, seřízení karburátoru po 6 měsících
 - komponenty (díly a doplňky) podléhající běžnému opotřebení, včetně, ale ne omezeně, nárazových tlačítek, hnacích řemenů, spojky, nožů plotostříhu či sekaček trávy, postroje, lanka škrtící klapky, uhlíkových kartáčů, napájecího kabelu, plechů, plstěných podložek, závlaček, ventilátorů fukaru, hadic fukaru a vysavače, vaku vysavače a popruhu, vodičích lišt, pilových řetězů, hadic, spojovacích tvarovek, rozprašovačích trysek, kol, stříkaček trubice, vnitřních, vnějších cívek, sekacích strun, zapalovačích svíček, vzduchových filtrů, spalňových filtrů, umíčovacích nožů atd.
- Pro servis výrobku je třeba zaslat nebo předložit pověřenému servisnímu středisku RYOBI dle seznamu adres servisních středisek. V některých zemích váš místní prodejce RYOBI provádí odeslání výrobku servisní organizaci RYOBI. Při zasílání výrobku servisnímu středisku RYOBI by se měl výrobek bezpečně zabalit bez nebezpečného obsahu jako benzin, označit adresu odesílatele a přiložit list krátkým popisem vady.
- Oprava/výměna během záruky je bezplatná. Neznamená prodloužení ani začátek nového záručního období. Vyměněné díly či nástroje se stávají naším vlastnictvím. V některých zemích doručení či poštovné platí odesílatele.
- Záruka je platná v Evropské unii, Švýcarsku, Islandu, Norsku, Lichtenštejnsku, Turecku a Rusku. U ostatních oblastí prosím kontaktujte pověřeného prodejce RYOBI pro upřesnění, zda platí jiná záruka.

POVĚŘENÉ SERVISNÍ STŘEDISKO

Pro natezení nejbližšího pověřeného servisního střediska navštivte <http://uk.ryobitools.eu/header/service-and-support/service-agents>.

HU GARANCIA

A vásárlással összefüggő esetleges törvény adta jogok mellett a termékre az alábbiakban részletezett garancia vonatkozik.

1. A garancia időtartama a fogyasztók számára 24 hónap, ami a termék megvásárlásának napjától számítódik. Ezt a dátumot számlával vagy a vásárlást igazoló más dokumentummal kell igazolni. A terméket kizárólag a vevő által, személyes célokra való használatra tervezték és készítették. Ezért a garancia nem vonatkozik a profik általi vagy üzleti célokra való használatra.
2. Egyes esetekben (pl. promóció, bizonyos termékcsaládok) lehetőség van a garancia időtartamának a fent leírt garanciaperióduson túli meghosszabbítására a www.ryobitools.eu webhelyen történő regisztrációval. Az, hogy egy adott gép jogosult-e erre, egyértelműen fel van tüntetve a boltokban és/vagy a csomagoláson. A végfelhasználónak a vásárlás napjától számított 8 napon belül regisztrálnia kell az újonnan beszerzett gépet. A végfelhasználó a kiterjesztett garanciáért a lakóhelye szerinti országban regisztrálhat, ha az szerepel az online regisztrációs űrlapon. Emellett a végfelhasználónak hozzá kell járulnia az online bejelentéshez szükséges adatai tárolásához és el kell fogadnia a szerződési feltételeket. A regisztráció e-mailedben küldött visszaigazolása, valamint a vásárlást igazoló eredeti számla szolgálják a kiterjesztett garancia érvényesítésére. A törvény adta jogai nem sérülnek.
3. A garancia a garancia időtartama alatt a termék összes olyan hibájára kiterjed, amelyek a vásárlás napján is fennálló gyártási vagy anyaghiba miatt következnek be. A garancia javításra és/vagy cserére korlátozódik, és nem tartalmaz további kötelezettséget, beleértve, de nem kizárólag a véletlenszerű vagy következetes károkra vonatkozó kötelezettségeket sem. A garancia nem érvényes a termék helytelen használatára, a használati utasításban leírtakkal ellentétes használatára vagy hibás csatlakoztatás esetén. A garancia nem vonatkozik a következőkre:
 - a termék helytelen karbantartásból eredő esetleges károsodásokra
 - átalakított vagy módosított termékekre
 - olyan termékre, melyen az eredeti azonosító jelöléseket (védjegy, sorozatszám) megrongálták, átalakították vagy eltávolították
 - a használati utasítás be nem tartásával összefüggő károkra
 - a CE minősítéssel nem rendelkező termékekre
 - a nem képzett szakember által vagy a Technronic Industries előzetes jóváhagyása nélküli javított termékekre
 - a nem megfelelő tápforrásokhoz (áramerősség, feszültség, frekvencia) csatlakoztatott termékre
 - a nem megfelelő üzemanyag-keverékkel (üzemanyag, olaj, olajárány) használt termékre
 - külső hatások (vizigyi, fizikai, ütés) vagy idegen anyagok által okozott károsodásokra
 - a cserealkatrészek normál kopására és elhasználódására
 - helytelen használatra, a szerszám túlterhelésére
 - nem jóváhagyott tartozékok vagy alkatrészek használatára
 - a karburátorra 6 hónap elteltével, a karburátor beállításaira 6 hónap elteltével
 - Természetes elhasználódásnak és kopásnak kitett összetevőkre (alkatrészek és tartozékok), beleértve de nem kizárólag az ütközőgombokra, hajtószíjakra, tengelykapcsolóra, sóvényvágó vagy fűnyíró késeire, vezetékkelekre, gázkábelekre, szénkefékre, tápkábeleire, kapákra, nemez alátétkarikákra, sasszegekre, fűvágó ventilátoraira, fűvő és vákuumszivőkra, szívószálókra és szíjakra, láncvezetőkre, fűrészláncokra, tömlőkre, csatlakozókra, szűrőfejekre, kerekre, lándsákra, belső orsókra, külső orsókra, vágószálakra, gyújtógyertyákra, légszűrőkre, üzemanyagszűrőkre, tömörítő kapákra stb.
4. A szervizeléshez a terméket el kell küldeni vagy be kell mutatni valamelyik hivatalos RYOBI szervizközpontban, melyek elérhetősége az egyes országokban az alábbiakban van megadva. Egyes országokban a RYOBI kereskedő vállalja, hogy elküldi a terméket a RYOBI szervizbe. A terméknek a RYOBI szervizelőmásra való küldésekor a termék biztonságosan be kell csomagolni, mindenféle veszélyes anyagot, pl. üzemanyagot el kell távolítani belőle, meg kell adni a feladó címét és a hiba rövid leírását.
5. A garancia keretében végzett javítás/cseréje ingyenes. Ugyanakkor ez nem jelenti a garancia időtartamának kiterjesztését vagy új garanciaperiódus kezdetét. A kicserélt alkatrészek vagy szerszámgépek a mi tulajdonunkban maradnak. Egyes országokban a szállítási vagy a postaköltségeket a feladó fizeti.
6. Ez a garancia az Európai Közösségekben, Svájcban, Izlandon, Norvégiában, Liechtensteinben, Törökországban és Oroszországban érvényes. Ezen területeken kívül az érvényes garancia-feltételeket illetően lépjen kapcsolatba a hivatalos RYOBI forgalmazóval.

HIVATALOS SZERVIZKÖZPONT

A legközelebbi hivatalos szervizközpont megtalálásához látogasson el a <http://uk.ryobitools.eu/header/service-and-support/service-agents>.

RO GARANȚIE

În plus față de alte drepturi statutare rezultând din achiziție, produsul este acoperit de o garanție ca cea menționată mai jos.

1. Perioada de garanție este de 24 de luni pentru consumatori și începe de la data la care produsul a fost achiziționat. Această dată trebuie să fie dovedită de o factură sau altă dovadă de cumpărare. Produsul este proiectat și dedicat pentru consumatori și doar pentru uz privat. Ca urmare nu există nicio garanție asigurată în caz de folosire profesională sau comercială.
2. Există, în anumite cazuri (de ex. promoții, game de produse) o posibilitate de a prelungi perioada de garanție peste perioada descrisă mai sus folosind înregistrarea pe site-ul www.ryobitools.eu. Eligibilitatea aparatului este afișată clar în magazine și/sau ambalaj. Utilizatorul final se poate înregistra pentru o garanție extinsă în țara sa de reședință dacă e listată pe formularul de înregistrare online acolo unde opțiunea este validă. Mai mult, utilizatorii finali trebuie să-și dea consimțământul cu privire la păstrarea datelor ce sunt cerute a fi introduse online și trebuie să accepte termenii și condițiile. Notificarea de confirmare a înregistrării, ce este trimisă prin email, și factura originală ce arată data achiziționării vor servi ca dovadă a garanției extinse. Drepturile dvs statutare rămând neafectate.
3. Garanția acoperă toate defectele produsului în timpul perioadei de garanție cauzate de defecte din procesul de producție sau ale materialului la data achiziționării. Garanția este limitată la reparație și/sau înlocuire și nu include alte obligații incluzând dar nelimitându-se la pagube incidentale sau secundare. Garanția nu este validă dacă produsul a fost folosit greșit, folosit contrar instrucțiunilor din manual sau a fost conectat incorect. Această garanție nu se aplică la:
 - orice defecțiune a produsului ca rezultat a întreținerii necorespunzătoare
 - orice produs ce a fost schimbat sau modificat
 - orice produs unde marcajul original de identificare (marcă comercială, număr serie) a fost deteriorat, schimbat sau modificat
 - orice defecțiune cauzată de nerespectarea manualului de instrucțiuni
 - orice produs non CE
 - orice produs care a fost încercat să fie reparat de către o persoană necalificată sau fără autorizare în prealabil de către Technronic Industries
 - orice produs conectat necorespunzător la sursa de curent (amperi, voltaj, frecvență)
 - orice produs folosit cu amestec necorespunzător de combustibil (combustibil, ulei, procentaj de ulei)
 - orice defecțiune cauzată de influențe externe (chimice, fizice, șocuri) sau substanțe străine
 - uzura normală a pieselor de schimb
 - folosire necorespunzătoare, suprasolicitare a sculei
 - folosire de accesorii și părți neaprobate
 - carburator după 6 luni, reglări ale carburatorului după 6 luni
 - componente (părți și accesorii) subiect a uzurii naturale, incluzând dar nelimitându-se la butoane rotative, curele de distribuție, ambreiaj, lame ale aparatelor de bordurat și tuns iarba, hamuri, cabluri de accelerație, perii de carbon, cabluri electrice, dinți ale furcii, șaibe de păsli, ventilatoare și tuburi de absorbție, sac vacuum și chingi, bare de ghidare, ferăstraie cu lanț, furture, fitinguri de conectare, vergele de pulverizat, duze de pulverizat, roți, vergele de pulverizat, bobine interioare, bobine exterioare, fire pentru tăiat, buji, filtre de aer, filtre de gaz, lame protectoare, etc
4. Pentru service, produsul trebuie să fie trimis sau prezentat la un punct service RYOBI autorizat listat pentru fiecare țară în următoarea listă cu adrese ale punctelor service. În anumite țări reprezentantul dvs local RYOBI se angajează să trimită produsul la un punct de service RYOBI. Atunci când se trimite un produs la un punct service RYOBI, produsul trebuie să fie împachetat cu grijă fără a conține produse periculoase precum benzină, marcat cu adresa expeditorului și însoțit de o scurtă descriere a defecțiunii.
5. Repararea/înlocuirea în timpul garanției este fără niciun cost. Nu constituie o prelungire sau un nou început a perioadei de garanție. Părțile sau aparatele schimbate devin proprietatea noastră. În anumite țări taxele de expediere trebuie să fie plătite de către expeditor.
6. Garanția este valabilă în Uniunea Europeană, Elveția, Islanda, Norvegia, Lichtenstein, Turcia și Rusia. În afara acestor zone, vă rugăm contactați reprezentantul dvs local autorizat RYOBI pentru a determina dacă se aplică altă garanție.

CENTRU DE SERVICE AUTORIZAT

Pentru a găsi un centru de service autorizat lângă dvs., vizitați <http://uk.ryobitools.eu/header/service-and-support/service-agents>.

LV GARANTĪJA

Papildus visām likumā paredzētajām tiesībām saistībā ar iegādi šim izstrādājumam ir turpinājuma izklāstīta garantija.

1. Garantijas periods patērētājiem ir 24 mēneši, un tas sākas izstrādājuma iegādes dienā. Šim datumam ir jābūt dokumentētām rēķinā vai citā iegādi apliecinošā dokumentā. Šis izstrādājums ir izgatavots un paredzēts vienīgi patērētājam un privātai lietošanai. Profesionālais vai komerciālais lietošanas gadījumā garantija nav spēkā.
2. Atsevišķos gadījumos (piem., akcija, vairāki instrumenti) pastāv iespēja pagarināt garantijas periodu virs šeit minētā perioda, reģistrējot to www.ryobitools.eu vietnē. Instrumenta pielietojums ir skaidri norādīts veikalos un/vai uz iepakojuma. Lietotājiem ir jāreģistrē savī jauniegūtie instrumenti tiešsaistē 8 dienu laikā no iegādes datuma. Lietotājs var reģistrēties pagarinātajai garantijai savā dzīvesvietas valstī, ja tā ir norādīta tiešsaistes reģistrācijas veidlapā, kur pieejama šī iespēja. Turklāt lietotājiem ir jāievada dati tiešsaistē, jādod piekrišana šo datus uzglabāšanai un jāpiekrīt noteikumiem. Saņemtais reģistrācijas apstiprinājums, kas izsūtīts pa e-pastu, un rēķina oriģināls, kurā redzams iegādes datums, ir pagarinātās garantijas pierādījums. Jūsu likumā paredzētās tiesības netiek ietekmētas.
3. Garantija attiecas uz visiem izstrādājuma bojājumiem, kas radušies garantijas perioda laikā iegādes dienā esošo izgatavošanas vai materiāla defektu dēļ. Garantija ir ierobežota līdz remontam un/vai nomaīgai un neietver citus pienākumus, ieskaitot, bet neaprobežojoties ar nejausiem vai netiesīmiem zaudējumiem. Garantija nav spēkā, ja izstrādājums ir liets nepareizi vai neievērojot rokasgrāmatas norādījumus vai ticis nepareizi savienots. Garantija netiecas uz:
 - izstrādājuma bojājumiem, kas radušies nepareizas apkopes dēļ;
 - izstrādājumiem, kas tikusi pielāgoti vai pārveidoti;
 - izstrādājumiem, kuru oriģinālais identifikācijas marķējums (preču zīme, sērijas numurs) ticis sabojāts, pārveidots vai noņemts;
 - bojājumiem, kurus izraisījuši rokasgrāmatas norādījumu neievērošana;
 - izstrādājumiem bez CE marķējuma;
 - izstrādājumiem, kurus ir mēģinājis remontēt nekvalificēts speciālists vai kuri remontēti bez Techronic Industries atļaujas;
 - izstrādājumiem, kas tikusi pievienoti neatbilstošai energopadevei (apmēri, spriegums, frekvence);
 - izstrādājumiem, kuros izmantots nepareizs degvielas maisījums (degviela, eļļa, eļļas daudzums);
 - bojājumiem, kurus izraisījuši ārēja iedarbība (ķīmiska, fiziska, triecieni) vai svešas vielas;
 - normālu detaļu nolietojumu un nodilumu;
 - instrumenta nepareizu lietošanu, pārslozdi;
 - neapstiprinātu detaļu un piederumu lietošanu;
 - karburatoru pēc 6 mēnešiem, karburatora regulējumiem pēc 6 mēnešiem;
 - komponentiem (detaļām un piederumiem), kas ir pakļauti dabiskam nodilumam un nolietojumam, ietvert, bet neaprobežojoties ar darbināšanas pogām, piedziņas siksnām, dzīvzoga trimeru un zāles plāvēju asmeņiem, plecu turētāju, kabeļa droseli, ogļekļa sukām, elektrības vadu, tapām, filca starplikām, sakabes tapām, pūtēja ventilatoriem, pūtēja un vakuuma caurulēm, vakuuma maisiem un lencēm, virzošajiem stieņiem, zāga ķēdēm, šļūtenēm, savienotāja stiprinājumiem, smidzināšanas sprauslām, riteņiem, smidzināšanas nūjām, iekšējiem rulljiem, ārējām spolēm, griešanas auklām, aizdedzes svečēm, gaisa filtriem, gāzes filtriem, mulčēšanas asmeņiem u. c.;
4. Ja nepieciešams veikt remontu, izstrādājums jānosūta vai jānodod RYOBI pilnvarotam servisa centram, kas norādīts pie attiecīgās valsts servisa centru adrešu sarakstā. Atsevišķās valstīs vietējais RYOBI dīleris uzņemas nosūtīt izstrādājumu RYOBI servisa organizācijai. Nosūtīt izstrādājumu RYOBI servisa centram, izstrādājumiem jābūt droši iepakotam bez bīstama satura, piemēram, degvielas, marķētam ar sūtītāja adresi un kopā ar īsu aprakstu par defektu.
5. Remonts/nomaīga šīs garantijas ietvaros ir bez maksas. Tas nepagarina un neuzsāk jaunu garantijas periodu. Nomainītās detaļas un instrumenti nonāk mūsu īpašumā. Atsevišķās valstīs piegādes maksa un pasta izdevumi jāsedz sūtītājam.
6. Šī garantija ir derīga Eiropas Kopienā, Šveicē, Islandē, Norvēģijā, Līhtenšteinā, Turcijā un Krievijā, Ārpus šiem reģioniem, lūdzu, sazinieties ar savu pilnvaroto RYOBI dīleri, lai noskaidrotu, vai ir spēkā cita garantija.

AUTORIZĒTS APKALPOŠANAS CENTRS

Lai atrastu tuvāko autorizēto apkalpošanas centru, apmeklējiet <http://uk.ryobitools.eu/header/service-and-support/service-agents>.

LT GARANTĪJA

Be įstatymais nustatyty teisių, įgyjamų nusipirkus šį produktą, produktui taikoma toliau nurodyta garantija.

1. Pirkėjams galiojantis garantinis periodas yra 24 mėnesiai ir prasideda nuo produkto pirkimo datos. Data turi būti nurodyta sąskaitoje-faktūroje arba kitame pirkimą įrodančiame dokumente. Produktas sukurtas ir skirtas tik naudotojui ir tik asmeniniam naudojimui. Todėl garantija netaikoma produktą naudojančiam profesionaliam ar komerciniam tikslais.
2. Kai kuriais atvejais yra galimybė pratęsti garantinį laikotarpį iki toliau nurodyto laikotarpio, prieš tai užsiregistravus www.ryobitools.eu svetainėje. Įrankio tinkamumo aiškiai parodytas parduotuvėse ir (arba) ant pakuotės. Galutinis naudotojas turi užregistruoti savo naujai įsigytus įrankius internetu per 8 dienas nuo jų pirkimo datos. Galutinis naudotojas gali užsiregistruoti dėl garantijos pratęsimo savo šalyje, jei ši pateikta registracijos internetu formoje, kurioje galimas šis pasirinkimas. Be to, galutiniai naudotojai privalo duoti savo sutikimą laikyti duomenis, kuriuos reikia įvesti internete, ir jie turi sutikti su sąlygomis ir nuostatomis. Registracijos patvirtinimo pranešimas, išsiunčiamas el. paštu, ir originali sąskaita faktūra, kurioje nurodyta pirkimo data, įrodo pratęstą garantiją. Jūsų įstatymuose nustatyti teisėms nebus pakenkta.
3. Garantiniu laikotarpiu garantija taikoma visiems produkto trūkumams, atsiradusiems dėl prastos darbo kokybės arba prastu produkto medžiagų pirkimo dieną. Garantija taikoma tik taisymsi ir (arba) pakeltimi ir joje nenumatyti jokie kiti įsipareigojimai, įskaitant, bet neapsiribojant atsitiktine ar susijusia žala. Garantija negalioja produktą netinkamai naudojant, priešingai vadove nurodytoms instrukcijoms, arba netinkamai prijungus. Garantija netaikoma šiais atvejais:
 - produktui padaryti žalai netinkamai atliekant produkto techninę priežiūrą;
 - pakeistam arba modifikuotam produktui;
 - bet kokiems produktams, kurių originalios identifikacijos (prekės ženklas, serijos numeris) žymės buvo sugadintos, pakeistos ar pašalintos;
 - bet kokiai žalai, patirtai nesaikant naudojimo vadovo;
 - bet kokiam CE nepaženklintam produktui;
 - bet kokiam produktui, kurį bandė taisyti nekvalifikuotas specialistas, arba iš anksto negavus „Techronic Industries“ leidimo;
 - bet kokiam produktui, įjungtam į netinkamą maitinimo tinklą (amperai, įtampa, dažnis);
 - bet kokiam produktui, naudojamam su netinkamu degalų mišiniu (degalai, alyva, alyvos procentinis kiekis);
 - bet kokiai žalai, kilusiai dėl išorinio poveikio (cheminis, fizinis poveikis, smūgiai) arba pašalinių medžiagų;
 - įprastam atsarginių dalių dėvėjimuisi;
 - produktą netinkamai naudojant arba jį perkrovus;
 - naudojant nepatvirtintus priedus arba dalis;
 - karbiuratoriu po 6 mėnesių, karbiuratoriaus reguliavimui po 6 mėnesių;
 - komponentams (daliims ir priedams), kurie dėvisi savaime, įskaitant, bet neapsiribojant iškiliais mygtukais, diržinėmis pavaromis, sankaba, gyvatvorės žirklių arba vejos pjovimo mašinų asmenimis, diržais, kabele droseliu, anglies šepetėliais, maitinimo laidu, virbams, veltinio poveržlėmis, traukimo kaiščiais, pūtimo ventilatoriais, pūstuvu ir siurblio vamzdžiais, siurblio maišeliu ir dirželiais, kreipiamaisiais strypais, pjūklų grandinėmis, žarnelėmis, jungtimis, purkštukais, ratais, purškimo lazdelemis, vidiniais suktuvais, išorinėmis ritėmis, smulktuvais, uždegimo žvakėmis, oro filtrais, dujų filtrais, mulčiavimo asmenimis ir t. t.;
4. Norint atlikti techninį aptarnavimą, produktą reikia nusiųsti arba pristatyti į vieną iš RYOBI įgaliotų techninio aptarnavimo punktų, esančių kiekvienoje šalyje toliau pateiktame aptarnavimo punktų adrešų sąraše. Kai kuriose šalyse jūsų vietinis RYOBI pardavėjas gali nusiųsti produktą į RYOBI techninio aptarnavimo punktą. Siunčiant produktą į RYOBI techninio aptarnavimo punktą, produktą reikia saugiai supakuoti, prieš tai iš jo pašalinus pavojingas medžiagas, pavyzdžiui, benzina, nurodyti siuntėjo adresą ir pridėti trumpą gedimo aprašymą.
5. Pagal šią garantiją taisymo ar keitimo darbai atliekami nemokamai. Garantijoje nenumatytas garantijos pratęsimas ar naujo garantinio laikotarpio pradėjimas. Pakeistos dalys arba įrankiai tampa mūsų nuosavybe. Kai kuriose šalyse pristatymo ar siuntimo paštu išlaidas turi padengti siuntėjas.
6. Ši garantija taikoma Europos bendrijoje, Šveicarijoje, Islandijoje, Norvegijoje, Lichtenšteine, Turkiijoje ir Rusijoje. Kitose šalyse kreipkitės į savo įgaliotą RYOBI pardavėją, norėdami sužinoti, ar taikoma kita garantija.

ĮGALIOTAS TECHINIS PRIEŽIŪROS CENTRAS

Jei norite surasti įgaliotą techninės priežiūros centrą netoli Jūsų, apsilankykite interneto svetainėje <http://uk.ryobitools.eu/header/service-and-support/service-agents>.

ET GARANTIID

Lisaks ostu puhul kaasnevate seadusjärgsete õiguste lehtib tootele allpool esitatud tingimustega garantiid.

- Ostja poolt ostetud tootele on kehtestatud garantiiperiood 24 kuud ja see hakkab kehtima toote ostmise kuupäeval. See kuupäev on märgitud arvele või muule ostu tõendavale dokumendile. Toode on ette nähtud ostjale ainult isiklikuks kasutamiseks. Kui toodet kasutatakse ametialasel või äriühtel eesmärgidel, siis garantiid ei kehti.
- Mõnel juhul (nt reklaam, seadmehi seeria) on võimalik pikendada garantiiperioodi pikemaks ajaks kui ülal mainitud, kui kasutatakse registreerimist veebisaidil www.ryobitools.eu kaudu. Registreerimise tingimused on välja pandud kauplustesse ja/või on pakendil. Lõppkasutaja peab oma uued tüüristad veebis registreerima 8 päeva jooksul alates ostukuupäevast. Lõppkasutaja võib registreerida end pikendatud garantiis oma asukohamaal, kui see on esitatud veebis registreerimise loendil, seal kus see vaik on olemas. Peale selle, lõppkasutajad peavad andma nõusoleku enda andmete salvestamiseks, mida vajatakse veebi siseneamiseks ja nõustuma esitatud tingimustega. Pikendatud garantiid kehtivust tõendab e-postiga saadetud registreerimise kinnitusteade ja algupärane arve, millel on ostukuupäev. Teie seadusjärgsed õigused jäävad mõjutamata.
- Garantiid kehtib kõikidele ostukuupäevast kehtima hakkaval garantiiperioodil ilmnendud rikete suhtes, mis on tingitud töötlemis- või materjalivigadest. Garantiid on piiratud remondi ja/või asendamisega ja ei sisalda muid kohustusi, kuid mitte ainult, kaasneva või tuleneva kahju eest. Garantiid ei kehti, kui toodet on väärkasutatud, kasutusjuhendis nimetatud otstarbele mittevastavalt kasutatud või toode on ebaõigesti ühendatud. See garantiid ei rakendu järgmistel juhtudel:
 - tootel on mingi vigastus, mis on põhjustatud ebaõigest kasutamisest,
 - toodet on mingil viisil ümber ehitatud või muudetud,
 - toote algupärane tuvastusmarkering (kaubamärk, seerianumber) on kahjustatud, ümber tehtud või eemaldatud,
 - tootel on mingi vigastus, mis on tingitud kasutusjuhendi mittejälgimisest,
 - toode ei ole CE-märgisega,
 - toodet on püüdnud parandada ebaõiged spetsialistid või seda on tehtud ilma Techtron Industries volitusteta,
 - toode on ühendatud selleks mitteetantud elektritoitevõrguga (väär voolu tugevus, pinge või sagedus),
 - tootes on kasutatud mitteetantud kütusesegu (kütus, õli, väär õli vahetork),
 - tootel on vigastus välistõmõjudest (keemilised või füüsilised mõjud või löögid),
 - toote varuosadel ilmneb tavapärane kulumine,
 - toodet on ebaõigesti kasutatud või üle koormatud,
 - tootel on kasutatud mitteetantud tarvikuid või osi,
 - toote karburaator pärast 6 kuu möödumist, toote karburaatori säätet pärast 6 kuu möödumist,
 - toote koostesadel (osad ja tarvikud) ilmneb tavapärane kulumine järgmistel detailidel (kuid mitte ainult): etteandenupid, ajamirihmad, sidur, hekiõikuri või muruniiduki terad, rakmed, gaasitross, süsinikharijad, toitejuhe, piid, viitiseid, vedruühitvid, puhumisventilaatorid, puhuri ja imuri torud, imisüsteemi kotid ja ribad, juhtvardad, saeketid, voolikud, ühendusliitmikud, düüsid, rattad, pihustustorud, siseturmid, välispoolid, lõikeõhvid, süüteküünlad, õhufiltrid, gaasifiltrid, multšimisterad jne.
- Hooldamiseks tuleb toode saata või tuua mõnda RYOBI volitatud hoolduspunkti, mis on esitatud loendis iga riigi jaoks ja milles on hoolduspunkti aadressid. Mõnes riigis kohustub RYOBI edasimüüja saatma toote RYOBI hooldusasutusse. Kui toode saadetakse RYOBI hooldusasutusse, tuleb toode turvaliselt ära pakkida ilma, et sellesse jääks ohtlikku sisu, näiteks bensiin ja pakendile tuleb märkida saatja aadress ja riike lühikirjeldus.
- Selle garantiid alusel tehtud remont/asendus on tasuta. Sellega ei kaasne garantiiperioodi pikenedmine või uue garantiiperioodi algus. Asendatud osad ja tüüristad jäävad meie omandusse. Mõnes riigis tuleb saate- või postikulud tasuda saatja poolt.
- See garantiid kehtib Euroopa Liidus, Šveitsis, Islandil, Norras, Liechtensteinis, Ungaris ja Venemaal. Väljaspool neid riike võtke ühendust Ryobi volitatud edasimüüjaga, et teada saada teistsuguste garantiid kehtivust.

VOLITATUD HOOLDUSKESKUS

Oma volitatud hoolduskeskuse leiate veebisaidil <http://uk.ryobitools.eu/header/service-and-support/service-agents>.

HR JAMSTVO

U dodatku svih zakonskih prava koja proizlaze kao rezultat kupnje, ova proizvod pokriven je jamstvom kao što je utvrđeno u nastavku.

- Jamstveno razdoblje je 24 mjeseca za korisnike, a započinje na datum kupnje proizvoda. Ovaj datum treba biti dokumentiran računom ili nekim drugim dokazom o kupnji. Proizvod je dizajniran i namijenjen samo za korisnike i osobno korištenje. Stoga nema omogućenog jamstava u slučaju profesionalnog ili komercijalnog korištenja.
- U nekim slučajevima (primjerice promocije, paleta alata) postoji mogućnost produženog jamstvenog razdoblja preko grege navedenog razdoblja korištenjem registracije na web mjestu www.ryobitools.eu. Sukladnost alata jesno je prikazana u trgovini i/ili na pakiranju. Krajnji korisnik treba registrirati svoje novo pribavljene alate na mreži unutar 8 dana od datuma kupnje. Krajnji korisnik može se registrirati za produženo trajanje jamstava u svojoj zemlji stanovanja ako je navedena na mrežnom obrascu za registraciju gdje je ova opcija valjana. Nadalje, krajnji korisnici moraju dati svoje odobrenje za spremanje podataka koji su potrebni za unos na mreži i moraju prihvatiti uvjete i odredbe. Primatku potvrde o registraciji, koja se šalje e-poštom i originalni račun koji prikazuje datum kupnje služe kao dokaz produženog jamstava. Vaša zakonska prava ostaju nepromijenjena.
- Jamstvo pokriva sve kvarove proizvoda tijekom jamstvenog razdoblja zbog pogreški u izradi ili materijalu na datum kupnje. Jamstvo je ograničeno na popravak i/ili zamjenu i ne uključuje nikakve druge obveze uključujući no ne ograničavajući se na slučajne ili posljedice štete. Jamstvo nije valjano ako je proizvod pogrešno korišten, korišten suprotno od korisničkog priručnika ili je nepravilno priključen. Ovo jamstvo se ne primjenjuje na:
 - svako oštećenje proizvoda koje je rezultat nepravilnog održavanja
 - svaki proizvod koji je izmijenjen ili modificiran
 - svaki proizvod gdje su originalne identifikacijske oznake (zaštitni znak, serijski broj) izbrisane, zamijenjene ili uklonjene
 - svako oštećenje uzrokovano neprikladnim korištenjem priružnika
 - svaki proizvod koji nije CE
 - svaki proizvod koji je pokušao popraviti neovlašten profesionalac ili bez prethodnog odobrenja od strane Techtron Industries
 - svaki proizvod priključen na nepravilno napajanje energijom (amperi, napon, frekvencija)
 - Svaki proizvod korišten s neodgovarajućom mješavinom (gorivo, ulje, postotak ulja)
 - svako oštećenje uzrokovano vanjskim utjecajima (kemijsko, fiziko, udar) ili stranim stvarima
 - normalno trošenje i habanje rezervnih dijelova
 - nepravilno korištenje, preopterećenje alata
 - korištenje neodobrenog dodatnog pribora ili dijelova
 - rasplinjača nakon 6 mjeseci, podešavanje rasplinjača nakon 6 mjeseci
 - komponente (dijelovi i dodatni pribor) koji su predmet prirodno trošenja i habanja, uključujući no ne ograničavajući se na gumbce za otpuštanje, pogonske remene, spojku, oštrice trimera za grmlje ili kosilicu, kope, sajle gasa, ugljene četke, kabele za napajanje, noževe, podloške, ztkice za zgubnu vezu, ventilatore puhalice, cijevi za ispuhivanje i usisavanje, vakuumske vrećice i trake, vodilice, lance pile, crijeva, priključene elemente, mlaznice za raspršivanje, kotače, kopljica za raspršivanje, unutarne kolute, vanjske kaleme, fiksavoje, svječice, filtre za zrak, filtre za plin, oštrice za usitnjavanje itd.
- Za servisiranje, proizvod se mora poslati ili predati ovlaštenoj stanici za servis tvrtke RYOBI navedenoj za svaku zemlju u sljedećem popisu adresa stanica za servis. U nekim zemljama vaša lokalni RYOBI zastupnik obavezan je poslati proizvod u servisnu organizaciju tvrtke RYOBI. Prilikom slanja proizvoda u stanicu za servis tvrtke RYOBI, proizvod treba biti sigurno pakiran bez ikakvog opasnog sadržaja poput benzina, s označenom adresom pošiljatelja i pripadajućim kratkim opisom pogreške.
- Popravak/zamjena pod ovim jamstvom se ne naplaćuje. Ne produžuje zakonsko ili ne započinje novo jamstveno razdoblje. Zamijenjeni dijelovi ili alati postaju naše vlasništvo. U nekim zemljama pošiljatelj plaća poštarinu.
- Ovo jamstvo je valjano u Europskoj zajednici, Švicarskoj, Islandu, Norveškoj, Lichtenštajnu, Turskoj i Rusiji. Izvan ovih područja molimo vas da kontaktirate vašeg ovlaštenog zastupnika RYOBI kako biste odredili ako se primjenjuje druga jamstva.

OVLAŠTENI SERVISNI CENTAR

Za pronalaženje ovlaštenog servisnog centra pored vas posjetite <http://uk.ryobitools.eu/header/service-and-support/service-agents>.

SL GARANCIJA

Poleg kakršnih koli zakonskih pravic, ki jih pridobite z nakupom, za ta izdelek velja tudi garancija, kot je opisano spodaj.

- Garancijsko obdobje je 24 mesecev za potrošnike in se začne z datumom nakupa. Ta datum mora biti dokumentiran z računom ali drugim dokazilom o nakupu. Izdelek je namenjen in posevčen le potrošniški in zasebni uporabi. Zato garancija ne velja za profesionalno ali komercialno uporabo.
- V nekaterih primerih (npr. promocija, obseg orodij) obstaja možnost podaljšanja garancijskega obdobja prek zgoraj opisanega obdobja, kar je mogoče storiti z registracijo na spletnem mestu www.ryobitools.eu. Namen orodja je jasno označen v trgovinah in/ali na embalaži. Končni uporabnik mora svoje novo orodje registrirati prek spleta v 8 dneh od datuma nakupa. Končni uporabnik se lahko registrira za podaljšano garancijo v svoji državi, kjer ima stalno prebivališče, če je država vključena na seznam v obrazcu za registracijo, kjer je ta možnost veljavna. Poleg tega mora končni uporabnik odobriti shranjevanje podatkov, ki so potrebni za spletni vstop, in morajo sprejeti pogoje in določila. Potrdilo o registraciji, ki se pošlje po e-pošti, ter originalni račun, na katerem je naveden datum nakupa, veljata kot dokazilo o podaljšani garanciji. Vaše zakonske pravice ostanejo nespremenjene.
- Garancija krjše vse okvare izdelka med garancijskim obdobjem zaradi napak v izdelavi ali materialu na datum nakupa. Garancija je omejena na popravilo/zamenjavo in ne vključuje drugih obveznosti, med drugim ne vključuje obveznosti zaradi nenamerne ali posledične škode. Garancija ni veljavna, če je bil izdelek zlorabljen, uporabljen v nasprotju z navodili za uporabo ali nepravilno priključen. Garancija ne velja:
 - za kakršno koli poškodbo izdelka, ki je posledica neprimernega vzdrževanja,
 - če je bil izdelek spremenjen ali modificiran,
 - če so originalne identifikacijske oznake (blagovna znamka, serijska številka) na izdelku poškodovane, spremenjene ali odstranjene,
 - če je do poškodbe prišlo zaradi neupoštevanja navodil za uporabo,
 - za katere koli izdelke, ki niso skladni z oznako CE,
 - če je izdelek poskusil opraviti neusposobljen strokovnjak ali brez predhodne odobritve družbe Techtronic Industries,
 - če je bil izdelek priključen na neustrezno električno omrežje (jakost, napetost, frekvenca),
 - če je bil izdelek uporabljen z neustrezno mešanico goriva (gorivo, olje, odstotek olja),
 - če je do poškodbe prišlo zaradi zunanjih vplivov (kemični, fizični, udarci) ali tujih snovi,
 - za normalno obrabo nadomestnih delov,
 - neustrezne uporabe, preobremenitve orodja,
 - uporabe neodobrenih dodatkov ali delov,
 - za uplinjač po 6 mesecih, prilagoditve uplinjača po 6 mesecih,
 - za sestavne dele (dele in dodatke), ki so podvrženi normalni obrabi, med drugim za vzmetne gume, pogonske jermene, sklopko, rezila obrezovalnikov ali kosilnic, nosilni trak, kabelske dušilke, karbonskih krtačk, napajalnega kabla, zobovje, polstene podložke, varnostne zatiče, ventilatorje, puhalne in sesalne cevi, sesalne vreče in trakove, vodila, verige za žage, gibljive cevi, nastavke priključkov, pršilne šobe, kolesa, pršilne palice, notranje kolute, zunanja vretena, rezalne nitke, vžigalne svečke, zračne filtre, plinske filtre, drobilna rezila itd.,
- Za servisiranje je treba izdelek poslati ali prinesiti v pooblaščen servisni center RYOBI, ki je za vsako državo naveden na naslednjem seznamu z naslovi servisnih centrov. V nekaterih državah pošiljanje izdelka servisnemu centru RYOBI prevzame lokalni trgovec z izdelki RYOBI. Za pošiljanje servisnemu centru RYOBI mora biti izdelek varno zapakiran, brez kakršnih koli nevarnih snovi, npr. gorivo, označen z naslovom pošiljatelja, priložen pa mora biti kratek opis napake.
- Popravilo/nadomestilo v sklopu te garancije je brezplačno. Ne pomeni podaljšanja ali novega začetka garancijskega obdobja. Zamenjani deli ali orodja postanejo naša last. V nekaterih državah mora stroške pošiljanja ali dostave poravnati pošiljatelj.
- Ta garancija je veljavna v Evropski skupnosti, Švici, na Islandiji, Norveškem, v Liechtensteinu, Turčiji in Rusiji. Izven teh področij stopite v stik s pooblaščenim trgovcem RYOBI, da ugotovite, ali velja katera druga garancija.

POOBLAŠČEN SERVISNI CENTER

Pooblaščen servisni center blizu vas poiščite na <http://uk.ryobitools.eu/header/service-and-support/service-agents>.

SK ZÁRUKA

Okrem zákonných práv vyplývajúcich zo zakúpenia je tento produkt pokrytý zárukou, ako je uvedené nižšie.

- Záručná doba pre spotrebiteľov je 24 mesiacov a začína dňom zakúpenia produktu. Tento dátum musí byť zdokumentovaný faktúrou alebo iným dokladom o kúpe. Tento produkt je navrhnutý a určený len na potrebné a osobné použitie. Takže v prípade profesionálneho alebo komerčného použitia neplatí žiadna záruka.
- V niektorých prípadoch (napr. reklamná akcia, rad produktov) existuje možnosť predĺženia záručnej doby nad dobu uvedenú vyššie pomocou registrácie na webovej stránke www.ryobitools.eu. Spôsobilosť nástroja je zreteľne zobrazená v obchodoch a ha obale. Koncový používateľ si musí zaregistrovať svoje novonadobudnuté nástroje online do 8 dní odo dňa zakúpenia. Koncový používateľ sa môže zaregistrovať za účelom získania predĺženej záruky vo svojej krajine, ak je uvedená v online registračnom formulári, kde je táto možnosť platná. Okrem toho musia koncoví používatelia poskytnúť súhlas k uloženiu údajov, ktoré sa zadávajú online a musia súhlasiť so zmluvnými podmienkami. Doklad s potvrdením o registrácii, ktorý posielame prostredníctvom e-mailu a originál faktúry s uvedeným dátumom zakúpenia slúžia ako dôkaz predĺženej záruky. Vaše zákonné práva ostávajú nedotknuté.
- Táto záruka pokrýva všetky poruchy produktu počas záručnej doby, ktoré vznikli následkom nedostatkov vo vypracovaní alebo materiáli v deň zakúpenia. Táto záruka je omezená na opravu alebo výmenu a nezahŕňa ďalšie povinnosti, napríklad vedľajšie alebo následné škody. Táto záruka je neplatná, ak bol produkt požívaný nesprávne, používaný v rozpore s návodom na použitie alebo nesprávne pripojený. Táto záruka sa nevzťahuje na:
 - akékoľvek poškodenie produktu, ku ktorému došlo následkom nesprávnej údržby
 - akýkoľvek produkt, ktorý bol pozmenený alebo upravený
 - akýkoľvek produkt, na ktorom boli poškodené pozmenené alebo odstránené originálne identifikačné znaky (obchodná známka, sériové číslo)
 - akékoľvek poškodenie spôsobené následkom neododržania návodu na použitie
 - akýkoľvek produkt iný ako CE
 - akýkoľvek produkt, o ktorého opravu sa pokúšal nekvalifikovaný odborník alebo v prípade opravy bez predchádzajúceho oprávnenia od spoločnosti Techtronic Industries
 - akýkoľvek produkt pripojený k nesprávnejmu napájaciemu zdroju (prúd, napätie, frekvencia)
 - akýkoľvek produkt použitý v nevhodnou palivovou zmesou (palivo, olej, percento oleja)
 - akékoľvek poškodenie spôsobené vonkajšími vplyvmi (chemické, fyzické, nárazy) alebo cudzími látkami
 - bežné opotrebenie náhradných dielov
 - nesprávne používanie a pretážovanie nástroja
 - používanie neschváleného príslušenstva alebo dielov
 - karburátor po 6 mesiacoch, úpravy karburátora po 6 mesiacoch
 - komponenty (diely a príslušenstvo), ktoré podliehajú prirodzenému opotrebeniu, napríklad pružinové tlačidlá, hnacie remene, spojka, ostria strihača živého plotu alebo kosačky trávy, postroj, ťahadlo škrťacej klapky, uhlikové kefky, napájaci kábel, končeky, plstené podložky, kolký s háčikom, ventilátory dýchadla, rúrky dýchadla a vysávača, vrecko a remene vysávača, vodiace lišty, pilové reťaze, hadice, konektorové armatúry, rozprašovače trysky, koleska, striekacie tyče, vnútorné navijaky, vonkajšie cievy, rezné drôty, zapalovače sviečky, vzduchové filtre, benzínové filtre, mulčovacie ostria a pod.
- Na servis sa musí produkt odoslať alebo predložiť autorizovanému servisnému centru RYOBI uvedenému pre každú krajinu v nasledujúcom zozname adres servisných stanic. V niektorých krajinách pošle produkt do servisnej organizácie RYOBI váš miestny predajca produktov RYOBI. Pri odoslaní produktu do servisnej stanice RYOBI musí byť produkt bezpečne zabalený bez akéhokoľvek nebezpečného obsahu, napríklad paliva, označený adresou odosielateľa a musí byť k nemu priložený krátky popis poruchy.
- Oprava či výmena v rámci tejto záruky je bezplatná. Nevplyvja z nej predĺženie či nový začiatok záručnej doby. Vymenené diely alebo nástroje sa stávajú našim majetkom. V niektorých krajinách doručovací poplatok alebo poštovné platí odosielateľ.
- Táto záruka je platná v Európskej únii, Švajčiarsku, na Islande, v Nórsku, Lichtenštajnsku, Turecku a Rusku. Mimo týchto oblastí kontaktujte autorizovaného predajcu spoločnosti Ryobi, u ktorého zisľíte, či platí nejaká iná záruka.

AUTORIZOVANÉ SERVISNÉ CENTRUM

Ak chcete nájsť najbližšie autorizované servisné centrum, navštívte stránku <http://uk.ryobitools.eu/header/service-and-support/service-agents>.

BG ГАРАНЦИЯ

В допълнение към законоустановените права, произтичащи от покупката, този продукт е обхванат от гаранция, както е изложено по-долу.

- Гаранционният срок е 24 месеца за клиенти и започва да тече от деня на закупуване на продукта. Тази дата трябва да се докаже с фактура или друго доказателство за покупка. Продуктът е изработен и предназначен само за потребителска и лична употреба. Следователно не се дава гаранция в случай на използване от професионалисти или с търговска цел.
- В някои случаи (като промоция, гама инструменти) съществува възможност за удължаване на гаранционния срок след изтичането на описания тук чрез регистрация на уеб сайта www.yobitools.eu. Дали инструментът отговаря на условията за такова удължаване, ясно показано в магазини и/или върху опаковката. Крайният потребител трябва да регистрира своите новопридобити инструменти онлайн в рамките на 8 дни от датата на покупка. Крайният потребител може да се регистрира за удължена гаранция в държавата си на пребиваване, ако е посочена във формуляра за онлайн регистрация като място, където тази опция е валидна. Освен това крайните потребители трябва да дадат съгласието си за съхранение на данните, които са задължителни за ползване онлайн, и трябва да приемат общите условия. Полученото потвърждение за регистрация, изпратено по имейл, и оригиналната фактура, показваща датата на покупка, ще служат като доказателство за удължаване гаранция. Законоустановените Ви права остават незаосенати.
- Гаранцията покрива всички дефекти на продукта по време на гаранционния срок, които се дължат на проблеми в изработката или материалите към момента на покупката. Гаранцията е ограничена до ремонт и/или замяна и не включва други задължения, включително, но не само, случайни или закономерни щети. Гаранцията е невалидна, ако продуктът е използван неправилно или в противоречие с ръководството с инструкции, както и ако е свързан неправилно. Тази гаранция не важи за:
 - щети по продукта в резултат на неправилна профилировка;
 - продукти, които са били изменени или модифицирани;
 - продукт, при който оригиналните маркировки за идентификация (търговска марка, серийн номер) са изтрети, променени или премахнати;
 - повреда, причинена от неспазване на ръководството с инструкции;
 - продукт без CE маркировка;
 - продукт, за който е направен опит за ремонт от невалифициран специалист или без предварително разрешение от Techtronic Industries;
 - продукт, свързан към неподходящо електрохранване (ампераж, волтаж, честота);
 - продукт, използван с неподходяща горивна смес (гориво, масло, процент масло);
 - щети, причинени от външни влияния (химични, физични, удари) или чужди вещества;
 - нормално износване на резервни части;
 - неподходяща употреба, претоварване на инструмента;
 - използване на неодобрени аксесоари или части;
 - карбуратора след 6 месеца, настройки на карбуратора след 6 месеца;
 - компоненти (част и аксесоари), подложени на естествено износване, включително, но не само, кошчета за тласкане, задвижващи ремъци, съединител, остриета на ножници за жив плет, косачки, самар, кабелен дросел, карбонови четки, захванващ кабел, остриета, фицови шайби, осигурителни цифрове, вентилатори на уреди за обдухване, тръби за обдухване и всмукване, торба за отпадъци и ремъци, водеща шпера, вериги за триони, маркучи, фитинги на конектори, дюзи, копела, пръскалки, вътрешни и външни макари, рещецо влакно, запалителни свещи, въздушни филтри, горивни филтри, остриета за мулчиране и т.н.
- За обслужване продуктът трябва да се изпрати или занесе на оторизиран сервиз на RYOBI, посочен за всяка държава в следния списък с адреси на сервиси. В някои държави местният търговец на RYOBI поема да изпрати продукта до сервизен център на RYOBI. При изпращане на продукт до сервиз на RYOBI продуктът трябва да е опакован безопасно без опасност съдържание, като бензин, да е маркиран с адреса на подателя и придружен от кратко описание на повредата.
- Ремонът или замяната по силата на тази гаранция са безплатни. Те не водят до удължаване или подновяване на гаранционния срок. Сменените части или инструменти стават наша собственост. В някои държави таксите за доставка или изпращане трябва да се платят от подателя.
- Тази гаранция е валидна в Европейската общност, Швейцария, Исландия, Норвегия, Лихтенщайн, Турция и Русия. Извън тези области се свържете с упълномощения търговец на RYOBI, за да се установи дали са приложими други гаранции.

УПЪЛНОМОЩЕН СЕРВИЗЕН ЦЕНТЪР

За да намерите упълномощен сервизен център близо до вас, посетете <http://uk.yobitools.eu/header/service-and-support/service-agents>.

UK ГАРАНТИЯ

На додатък до любих законних прав, що випливають з покупки, цей продукт покривається гарантією, як зазначено нижче.

- Гарантійний термін складає 24 місяці від споживачів і, починається з дати придбання продукту. Ця дата повинна бути задокументована рахунком або іншим документом, що підтверджує покупку. Продукт розроблений і призначений для споживача і тільки для приватного використання. Таким чином, немає ніякої гарантії, у разі професійного або комерційного використання.
- Наведені деякі випадки (наприклад, підтримка, ряд інструментів), можливості розширення гарантійного терміну протягом періоду, описаного вище, з використанням реєстрації на сайті www.yobitools.eu. Придатність інструменту чітко відображається в магазинах та / або на упаковці. Кінцевий користувач повинен зареєструвати його / її ново придбаний інструмент онлайн протягом 8 днів з моменту покупки. Кінцевий користувач може зареєструватися на розширену гарантію у своїй країні проживання, якщо ця країна є в онлайн формі реєстрації, де ця опція діє. Крім того, кінцеві користувачі повинні дати свою згоду на зберігання даних, які необхідні для онлайн входу і вони повинні прийняти терміни та умови. Квитанція підтвердження реєстрації, яка розсилається по електронній пошті, та оригінал рахунку-фактури із зазначенням дати покупки будуть служити доказом розширеної гарантії. Ваші законні права залишаються в силі.
- Гарантія покриває всі дефекти продукту протягом гарантійного періоду, пов'язані з недоліками виготовлення або матеріалу на дату покупки. Гарантія обмежується ремонтом та / або заміною, і не покриває будь-які інші зобов'язання, включаючи, але не обмежуючись випадковими або непрямими збитками. Гарантія не діє, якщо продукт неправильно використовувався всупереч інструкції, або був неправильно підключений. Ця гарантія не поширюється на:
 - будь-яке пошкодження продукту, яке є результатом неправильного технічного обслуговування
 - будь-який продукт, який був модифікований або модифікований
 - будь-який продукт, де оригінальні ідентифікаційні (торгова марка, серийний номер) маркування були зіпсовані, змінені або видалені
 - будь-який збиток, заподіяний в результаті недотримання керівництва з експлуатації
 - будь-який не CE продукт
 - будь-який виріб, який був відремонтований неваліфікованим спеціалістом або без попереднього дозволу Techtronic Industries
 - будь-який продукт підключений до неналежного живлення (підсилювачі, напруга, частота)
 - будь-який збиток, заподіяний зовнішнім впливом (хімічними, фізичними, ударами) або стороннім речовинами
 - передбачене зношення запасних частин
 - неправильне використання, перевантаження інструменту
 - використання незатверджених запасних частин або аксесуарів
 - карбуратор через 6 місяців, коригування карбуратора після 6 місяців
 - аксесоари електроінструменту надані з інструментом або куплені окремо. Такі вироби включають, але не обмежуються гвинтовою викруткою, свердлами, абразивними дисками, наждачним шпером і лезами, бінчим спрямовувачим пристроєм
 - компоненти (частини та аксесоари), схильні до природного зносу, в тому числі, але не обмежуючись щіткою, патроном, шнуром живлення, додатковою рукояткою, шліфувальними пластинами, мішком для пилу, витяжною трубою
- Для обслуговування виріб має бути відправлено або представлено в уповноважений RYOBI центр технічного обслуговування, перерахований для кожної країни в наступному списку адресів технічних центрів. У деяких країнах місцевий дилер RYOBI зобов'язується відправити виріб в сервісній організації RYOBI. При відправці продукту до станції технічного обслуговування RYOBI, продукт повинен бути надійно упакований, без жодного небезпечного вмісту, такого як бензин, відмічений адресною відправника і супроводжуватися коротким описом несправності.
- Ремонт / заміна по гарантії безкоштовні. Це не розширює або не починає новий гарантійний термін. Замінені частини або інструменти стають нашою власністю. У деяких країнах вартість доставки або відсилки повинні бути оплачені відправником.
- Ця гарантія дієсна в Європейському Співтоваристві, Швейцарії, Ісландії, Норвегії, Лихтенштейні, Туреччині та Росії. За межами цих областей, будь ласка, зв'яжіться з офіційним дилером RYOBI, щоб визначити, якщо поширюється інша гарантія

АВТОРИЗОВАНІ СЕРВІСНІ ЦЕНТРИ

Для отримання оновленого переліка авторизованих сервісних центрів, відвідайте <http://uk.yobitools.eu/header/service-and-support/service-agents>

TR GARANTI

Bu satın alma işleminden doğan tüm yasal haklara ek olarak, bu ürün aşağıda açıklanan garanti kapsamındadır.

1. Garanti süresi tüketiciler için 24 aydır ve bu süre ürünün satın alınması ile başlar. Bu tarih fatura veya başka bir satın alma belgesi ile kanıtlanmalıdır. Ürün sadece tüketici ve bireysel kullanım için tasarlanmıştır ve sunulmuştur. Profesyonel veya ticari amaçlı kullanımlarda garanti verilmez.
2. Bazı durumlarda (örn. tanıtım, aletlerin düzenlenmesi), yukarıda belirtilen garanti süresi uzatılabilir. Bunun için www.ryobitools.eu internet sitesindeki kaydı yapmak gerekir. Aletin nitelikleri mağazalarda ve/veya ambalaj üzerinde açıkça belirtilmiştir. Son kullanıcı, aleti satın aldıktan sonra en geç 8 gün içinde aletin kaydını çevrim içi olarak yapmalıdır. Son kullanıcı, garanti uzatma seçeneğinin geçerli olduğu ülkelerden birindeyse kayıt yaptırarak bu fırsattan yararlanabilir. Ayrıca, son kullanıcılar çevrim içi giriş yapmak için gerekli olan verilerin saklanmasına izin vermeli, şartlar ve koşulları kabul etmelidir. E-posta ile gönderilen kayıt onay belgesi ve satın alma tarihini belgeleyen orijinal fatura garantinin uzatılmasını sağlamak için kanıt niteliği taşımaktadır. Yasal haklarınız aynı kalacaktır.
3. Garanti, ürünün satın alma tarihindeki tüm işçilik ve malzeme kusurlarından kaynaklanan tüm sorunları garanti süresi içinde kapsamaktadır. Garanti onarım ve/veya değişim ile sınırlıdır ve sadece istenmeyen arızalar, vb. durumlarda herhangi bir sorumluluk kabul edilmez. Ürünün yanlış kullanılması, kullanım kılavuzuna uygun kullanılmaması veya yanlış bağlantı kurulması durumunda garanti geçerliliğini yitirir. Garanti kapsamı dışındaki durumlar:
 - bakımın yanlış yapılmasından kaynaklanan tüm hasarlar
 - ürünün değiştirilmesi veya düzenlenmesi
 - ürünün orijinal teşhis (ticari sembol, seri numarası) işaretlerinin tahrip olması, değiştirilmesi veya çıkarılması
 - kullanım kılavuzunun dikkate alınmaması nedeniyle oluşan tüm hasarlar
 - ürünün AB ürünü olmaması
 - ürünün kalifiye olmayan bir kişi tarafından veya Techtronic Industries'in izni olmadan onarılmaya çalışılması
 - ürünün yanlış güç desteğine (amper, voltaj, frekans) bağlanması
 - dış etkenler (kimyasal, fiziksel, darbeler) veya yabancı cisimlerden kaynaklanan arızalar
 - yedek parçaların normal aşınması ve yıpranması
 - yanlış kullanım, aletin fazla yüklenmesi
 - onaylanmayan aksesuarların veya parçaların kullanılması
 - karbüratörlü sistemlerde karbüratör ayarlarının 6 ayın ardından yapılması
 - elektronik alet aksesuarlarının alet ile birlikte veya ayrı olarak satın alınması. Akülü vidalama uçları, matkap uçları, aşındırıcı diskler, zımpara kağıdı ve bıçakları, yatay kılavuz gibi parçaların dahil olduğu, ancak bu parçalarla sınırlı olmayan istisnalar
 - karbon fırçalar, kovan, elektrik kablosu, yardımcı kol, kumlama plakası, toz torbası, toz egzoz borusu gibi parçaların bulunduğu, ancak bu parçalarla sınırlı olmayan doğal aşınma ve yıpranmaya maruz kalan bileşenler
4. Tamir işlemi için ürünün, her ülke için listelenmiş olan aşağıdaki servis istasyonu adreslerinde bulunan bir RYOBI yetkili servis istasyonuna gönderilmesi veya verilmesi gerekir. Bazı ülkelerde yerel RYOBI satıcınız ürünü RYOBI servis istasyonuna gönderme işlemini üstlenir. RYOBI servis istasyonuna gönderilen ürün; içinde petrol gibi tehlikeli maddeler olmadan emniyetli bir şekilde paketlenmeli, gönderenin adresini ve sorunun kısa bir açıklamasını içermelidir.
5. Bu garanti kapsamında gerçekleşen bir onarım/değişim ücretsizdir. Bu tarz işlemler garanti süresini uzatmaz veya yeniden başlatmaz. Değiştirilen parçalar veya aletler firmamıza ait olur. Bazı ülkelerde teslimat masrafları veya posta ücreti gönderici tarafından ödenmelidir.
6. Bu garanti Avrupa Birliği, İsviçre, İzlanda, Norveç, Lihtenştayn, Türkiye ve Rusya'da geçerlidir. Bu bölgelerin dışında yer alan müşterilerin diğer garanti seçenekleri için yetkili RYOBI satıcısına danışmaları gerekir.

YETKİLİ SERVİS MERKEZİ

En yakın yetkili servis merkezini öğrenmek için <http://uk.ryobitools.eu/header/service-and-support/service-agents> sitesine girin.

EN EC DECLARATION OF CONFORMITY

Techtronic Industries GmbH
Max-Eyth-Straße 10, 71364 Winnenden, Germany

Herewith we declare that the product

Electric Blower/Vacuum
Brand: Ryobi
Model number: RBV3000CESV-01
Serial number range: 44467301000001 - 44467301999999

is in conformity with the following European Directives and harmonised standards
2006/42/EC, 2014/30/EU, 2000/14/EC, 2005/88/EC, 2011/65/EU,
EN 60335-1:2012+A11:2014, EN 50636-2-100:2014, EN ISO 3744:2010,
EN 55014-1:2006+A1:2009+A2:2011, EN 55014-2:1997+A1:2001+A2:2008,
EN 61000-3-2:2014, EN 61000-3-3:2013, EN 62233:2008, EN 50581:2012

Measured sound power level: 106.6 dB(A)
Guaranteed sound power level: 108 dB(A)
Conformity assessment method to Annex V Directive 2000/14/EC amended by
2005/88/EC.

Andrew John Eyre (BEng, CEng, MIET)
Vice President, Regulatory & Safety
Winnenden, Jun. 20, 2016

Authorised to compile the technical file:
Alexander Krug, Managing Director
Techtronic Industries GmbH
Max-Eyth-Straße 10, 71364 Winnenden, Germany



DE EC KONFORMITÄTSERKLÄRUNG

Techtronic Industries GmbH
Max-Eyth-Straße 10, 71364 Winnenden, Germany

Hiermit erklären wir, dass die Produkte

Elektrischer Bläser/Sauger
Marke: Ryobi
Modellnummer: RBV3000CESV-01
Seriennummernbereich: 44467301000001 - 44467301999999

mit den folgenden europäischen Richtlinien und harmonisierten Normen entspricht
2006/42/EC, 2014/30/EU, 2000/14/EC, 2005/88/EC, 2011/65/EU,
EN 60335-1:2012+A11:2014, EN 50636-2-100:2014, EN ISO 3744:2010,
EN 55014-1:2006+A1:2009+A2:2011, EN 55014-2:1997+A1:2001+A2:2008,
EN 61000-3-2:2014, EN 61000-3-3:2013, EN 62233:2008, EN 50581:2012

Gemessener Schalleistungspegel: 106.6 dB(A)
Garantierter Schalleistungspegel: 108 dB(A)
Konformitätsbeurteilungsmethode zu Anhang V Richtlinie 2000/14/EC wie durch
2005/88/EC.

Andrew John Eyre (BEng, CEng, MIET)
Vizepräsident, Vorschriften und Sicherheit
Winnenden, Jun. 20, 2016

Autorisiert die technische Datei zu erstellen:
Alexander Krug, Geschäftsführer
Techtronic Industries GmbH
Max-Eyth-Straße 10, 71364 Winnenden, Germany



FR DÉCLARATION DE CONFORMITÉ EC

Techtronic Industries GmbH
Max-Eyth-Straße 10, 71364 Winnenden, Germany

Déclarons par la présente que le produit

Aspirateur/souffleur électrique
Marque: Ryobi
Numéro de modèle: RBV3000CESV-01
Étendue des numéros de série: 44467301000001 - 44467301999999

est conforme aux Directives Européennes et Normes Harmonisées suivantes
2006/42/EC, 2014/30/EU, 2000/14/EC, 2005/88/EC, 2011/65/EU,
EN 60335-1:2012+A11:2014, EN 50636-2-100:2014, EN ISO 3744:2010,
EN 55014-1:2006+A1:2009+A2:2011, EN 55014-2:1997+A1:2001+A2:2008,
EN 61000-3-2:2014, EN 61000-3-3:2013, EN 62233:2008, EN 50581:2012

Niveau de puissance sonore mesuré: 106.6 dB(A)
Niveau de puissance sonore garanti: 108 dB(A)
Méthode d'évaluation de conformité de l'annexe V Directive 2000/14/EC modifiée
2005/88/EC.

Andrew John Eyre (BEng, CEng, MIET)
Vice-Président, Réglementation & Sécurité
Winnenden, Jun. 20, 2016

Autorisé à rédiger le dossier technique:
Alexander Krug, Directeur Général
Techtronic Industries GmbH
Max-Eyth-Straße 10, 71364 Winnenden, Germany



ES DECLARACIÓN EC DE CONFORMIDAD

Techtronic Industries GmbH
Max-Eyth-Straße 10, 71364 Winnenden, Germany

Por la presente declaramos que los productos

Aspirador/soplador eléctrico
Marca: Ryobi
Número de modelo: RBV3000CESV-01
Intervalo del número de serie: 44467301000001 - 44467301999999

se encuentra en conformidad con las siguientes Directivas Europeas y normas
armonizadas
2006/42/EC, 2014/30/EU, 2000/14/EC, 2005/88/EC, 2011/65/EU,
EN 60335-1:2012+A11:2014, EN 50636-2-100:2014, EN ISO 3744:2010,
EN 55014-1:2006+A1:2009+A2:2011, EN 55014-2:1997+A1:2001+A2:2008,
EN 61000-3-2:2014, EN 61000-3-3:2013, EN 62233:2008, EN 50581:2012

Nivel de potencia acústica medido: 106.6 dB(A)
Nivel de potencia acústica garantizado: 108 dB(A)
Método de evaluación de conformidad con el anexo V Directiva 2000/14/EC
modificada por la 2005/88/EC.

Andrew John Eyre (BEng, CEng, MIET)
Vicepresidente, Director General de Normativa y Seguridad
Winnenden, Jun. 20, 2016

Autorizado para elaborar la ficha técnica:
Alexander Krug, Administrador Ejecutivo
Techtronic Industries GmbH
Max-Eyth-Straße 10, 71364 Winnenden, Germany





IT DICHIARAZIONE DI CONFORMITÀ EC

Techtronic Industries GmbH
Max-Eyth-Straße 10, 71364 Winnenden, Germany

Si dichiara con la presente che il prodotto

Soffiatore/aspiratore elettrico
Marca: Ryobi
Numero modello: RBV3000CESV-01
Gamma numero seriale: 44467301000001 - 44467301999999

è conforme alle seguenti Direttive Europee e ai seguenti standard armonizzati
2006/42/EC, 2014/30/EU, 2000/14/EC, 2005/88/EC, 2011/65/EU,
EN 60335-1:2012+A11:2014, EN 50636-2-100:2014, EN ISO 3744:2010,
EN 55014-1:2006+A1:2009+A2:2011, EN 55014-2:1997+A1:2001+A2:2008,
EN 61000-3-2:2014, EN 61000-3-3:2013, EN 62233:2008, EN 50581:2012

Livello di potenza acustica misurato: 106,6 dB(A)
Livello di potenza sonora garantita: 108 dB(A)
Metodo di valutazione sulla conformità all'allegato V Direttiva 2000/14/EC
modificata con la 2005/88/EC.

Andrew John Eyre (BEng, CEng, MIET)
Vice-Presidente, Dipartimento Regolazioni & Sicurezza
Winnenden, Jun. 20, 2016

Autorizzato per compilare il file tecnico:
Alexander Krug, Direttore Amministrativo
Techtronic Industries GmbH
Max-Eyth-Straße 10, 71364 Winnenden, Germany

PT DECLARAÇÃO EC DE CONFORMIDADE

Techtronic Industries GmbH
Max-Eyth-Straße 10, 71364 Winnenden, Germany

Pelo presente declaramos que os produtos

Aspirador/soprador eléctrico
Marca: Ryobi
Número do modelo: RBV3000CESV-01
Intervalo do número de série: 44467301000001 - 44467301999999

se encontra em conformidade com as seguintes Directivas Europeias e normas
harmozizadas

2006/42/EC, 2014/30/EU, 2000/14/EC, 2005/88/EC, 2011/65/EU,
EN 60335-1:2012+A11:2014, EN 50636-2-100:2014, EN ISO 3744:2010,
EN 55014-1:2006+A1:2009+A2:2011, EN 55014-2:1997+A1:2001+A2:2008,
EN 61000-3-2:2014, EN 61000-3-3:2013, EN 62233:2008, EN 50581:2012

Nível de potência sonora medido: 106,6 dB(A)
Nível de potência sonora garantido: 108 dB(A)
Método de avaliação de conformidade para o anexo V Directiva 2000/14/EC
alterada por 2005/88/EC.

Andrew John Eyre (BEng, CEng, MIET)
Vice-Presidente, Regulamentação & Segurança
Winnenden, Jun. 20, 2016

Autorizado para compilar o ficheiro técnico:
Alexander Krug, Administrador Executivo
Techtronic Industries GmbH
Max-Eyth-Straße 10, 71364 Winnenden, Germany

NL EC CONFORMITEITSVERKLARING

Techtronic Industries GmbH
Max-Eyth-Straße 10, 71364 Winnenden, Germany

Hierbij verklaren wij dat het product

Elektrische blazer/zuiger
Merk: Ryobi
Modelnummer: RBV3000CESV-01
Serienummerbereik: 44467301000001 - 44467301999999

is in overeenstemming met de volgende Europese Richtlijnen en geharmoniseerde
normen

2006/42/EC, 2014/30/EU, 2000/14/EC, 2005/88/EC, 2011/65/EU,
EN 60335-1:2012+A11:2014, EN 50636-2-100:2014, EN ISO 3744:2010,
EN 55014-1:2006+A1:2009+A2:2011, EN 55014-2:1997+A1:2001+A2:2008,
EN 61000-3-2:2014, EN 61000-3-3:2013, EN 62233:2008, EN 50581:2012

Gemeten geluidsniveau: 106,6 dB(A)
Gegarandeerd geluidsniveau: 108 dB(A)
Evaluatiemethode conformiteit volgens bijlage V Richtlijn 2000/14/EC gewijzigd
door 2005/88/EC.

Andrew John Eyre (BEng, CEng, MIET)
Vice-president, Regelgeving en Veiligheid
Winnenden, Jun. 20, 2016

Afgevaardigde voor het samenstellen van de technische fiche:
Alexander Krug, Directeur
Techtronic Industries GmbH
Max-Eyth-Straße 10, 71364 Winnenden, Germany

DA EC OVERENSSTEMMELSEERKLÆRING

Techtronic Industries GmbH
Max-Eyth-Straße 10, 71364 Winnenden, Germany

Vi erklærer hermed, at produktet

Elektrisk blæser/suger
Brand: Ryobi
Modelnummer: RBV3000CESV-01
Serienummerområde: 44467301000001 - 44467301999999

er i overensstemmelse med følgende EU-direktiver og harmoniserede standarder

2006/42/EC, 2014/30/EU, 2000/14/EC, 2005/88/EC, 2011/65/EU,
EN 60335-1:2012+A11:2014, EN 50636-2-100:2014, EN ISO 3744:2010,
EN 55014-1:2006+A1:2009+A2:2011, EN 55014-2:1997+A1:2001+A2:2008,
EN 61000-3-2:2014, EN 61000-3-3:2013, EN 62233:2008, EN 50581:2012

Målt støjniveau: 106,6 dB(A)
Garanteret støjniveau: 108 dB(A)
Overensstemmelsesvurderingsmetode til bilag V Direktiv 2000/14/EC ændret ved
2005/88/EC.

Andrew John Eyre (BEng, CEng, MIET)
Vicepræsident, Regler og Sikkerhed
Winnenden, Jun. 20, 2016

Bemyndiget til at udarbejde det tekniske kartotek:
Alexander Krug, Administrerende Direktør
Techtronic Industries GmbH
Max-Eyth-Straße 10, 71364 Winnenden, Germany



SV EC-KONFORMITETSDEKLARATION

Techtronic Industries GmbH
Max-Eyth-Straße 10, 71364 Winnenden, Germany

Härmed deklarerar vi att produkterna

Elektrisk blåsare/sugare
Märke: Ryobi
Modellnummer: RBV3000CESV-01
Serienummerintervall: 44467301000001 - 44467301999999

är i enlighet med följande EU-direktiv och harmoniserade standarder
2006/42/EC, 2014/30/EU, 2000/14/EC, 2005/88/EC, 2011/65/EU,
EN 60335-1:2012+A11:2014, EN 50636-2-100:2014, EN ISO 3744:2010,
EN 55014-1:2006+A1:2009+A2:2011, EN 55014-2:1997+A1:2001+A2:2008,
EN 61000-3-2:2014, EN 61000-3-3:2013, EN 62233:2008, EN 50581:2012

Uppmätt ljudeffektnivå: 106,6 dB(A)
Garanterad ljudeffektnivå: 108 dB(A)
Konformitetsbedömning gjord enligt metod i V Direktiv 2000/14/EC samt tillägg
i 2005/88/EC.

Andrew John Eyre (BEng, CEng, MIET)
Vice President, Regelverk och Säkerhet
Winnenden, Jun. 20, 2016



Godkänt att sammanställa den tekniska filen:
Alexander Krug, VD
Techtronic Industries GmbH
Max-Eyth-Straße 10, 71364 Winnenden, Germany

NO EC-SAMSVARERKLÆRING

Techtronic Industries GmbH
Max-Eyth-Straße 10, 71364 Winnenden, Germany

Herved erklærer vi at produktet

Elektrisk løvblåser/støvsuger
Märke: Ryobi
Modellnummer: RBV3000CESV-01
Serienummerserie: 44467301000001 - 44467301999999

er i samsvar med følgende europeiske direktiver og harmoniserte standarder
2006/42/EC, 2014/30/EU, 2000/14/EC, 2005/88/EC, 2011/65/EU,
EN 60335-1:2012+A11:2014, EN 50636-2-100:2014, EN ISO 3744:2010,
EN 55014-1:2006+A1:2009+A2:2011, EN 55014-2:1997+A1:2001+A2:2008,
EN 61000-3-2:2014, EN 61000-3-3:2013, EN 62233:2008, EN 50581:2012

Målt lydeffektnivå: 106,6 dB(A)
Garantert lydeffektnivå: 108 dB(A)
Metode for vurdering av konformitet til Tillegg V Direktiv 2000/14/EC endret ved
2005/88/EC.

Andrew John Eyre (BEng, CEng, MIET)
Visepresident, Forskrifter og Sikkerhet
Winnenden, Jun. 20, 2016



Autorisert til å sette sammen den tekniske filen:
Alexander Krug, Administrerende Direktør
Techtronic Industries GmbH
Max-Eyth-Straße 10, 71364 Winnenden, Germany

FI EC-SÄÄNNÖSTEN NOUDATTAMINEN

Techtronic Industries GmbH
Max-Eyth-Straße 10, 71364 Winnenden, Germany

Ilmoitamme täten, että tuotteet

Sähkökäyttöinen puhallin-imuri
Tuotemerkki: Ryobi
Mallinumero: RBV3000CESV-01
Sarjanumeroalue: 44467301000001 - 44467301999999

noudattaa seuraavia EU-direktiivejä ja harmonoituja standardeja
2006/42/EC, 2014/30/EU, 2000/14/EC, 2005/88/EC, 2011/65/EU,
EN 60335-1:2012+A11:2014, EN 50636-2-100:2014, EN ISO 3744:2010,
EN 55014-1:2006+A1:2009+A2:2011, EN 55014-2:1997+A1:2001+A2:2008,
EN 61000-3-2:2014, EN 61000-3-3:2013, EN 62233:2008, EN 50581:2012

Mitattu ääniteho: 106,6 dB(A)
Taattu ääniteho: 108 dB(A)
Säännösten noudattaminen tarkastettu direktiivin 2000/14/EC liitteen V mukaisesti
muunnettu direktiivillä 2005/88/EC.

Andrew John Eyre (BEng, CEng, MIET)
Varatoimitusjohtaja, Säädöstenmukaisuus ja Turvallisuus
Winnenden, Jun. 20, 2016



Valtuutettu kokoomaan tekninen tiedosto:
Alexander Krug, Toimitusjohtaja
Techtronic Industries GmbH
Max-Eyth-Straße 10, 71364 Winnenden, Germany

RU ЗАЯВЛЕНИЕ О СООТВЕТСТВИИ ТРЕБОВАНИЯМ ЕС

Techtronic Industries GmbH
Max-Eyth-Straße 10, 71364 Winnenden, Germany

Настоящим мы заявляем, что данный продукт

Электрическая воздуходувка/пылесос
Марка: Ryobi
Номер модели: RBV3000CESV-01
Диапазон заводских номеров: 44467301000001 - 44467301999999

соответствует требованиям следующих Директив ЕС и согласованных стандартов
2006/42/EC, 2014/30/EU, 2000/14/EC, 2005/88/EC, 2011/65/EU,
EN 60335-1:2012+A11:2014, EN 50636-2-100:2014, EN ISO 3744:2010,
EN 55014-1:2006+A1:2009+A2:2011, EN 55014-2:1997+A1:2001+A2:2008,
EN 61000-3-2:2014, EN 61000-3-3:2013, EN 62233:2008, EN 50581:2012

Измеренный уровень звуковой мощности: 106,6 dB(A)
Гарантируемый уровень звуковой мощности: 108 dB(A)
Способ оценки соответствия, приложение V к директиве 2000/14/EC с
изменениями 2005/88/EC.

Andrew John Eyre (BEng, CEng, MIET)
Вице-Президент По Технике Безопасности И Стандартам
Winnenden, Jun. 20, 2016



Лицо, ответственное за подготовку технической документации:
Alexander Krug, Директор
Techtronic Industries GmbH
Max-Eyth-Straße 10, 71364 Winnenden, Germany

PL DEKLARACJA ZGODNOŚCI EC

Techtronic Industries GmbH
Max-Eyth-Straße 10, 71364 Winnenden, Germany

Niniejszym deklarujemy, że produkty

Elektryczna dmuchawa/odkurzacz
Marka: Ryobi
Numer modelu: RBV3000CESV-01
Zakres numerów seryjnych: 44467301000001 - 44467301999999

jest zgodny z następującymi dyrektywami europejskimi i zharmonizowanymi normami

2006/42/EC, 2014/30/EU, 2000/14/EC, 2005/88/EC, 2011/65/EU,
EN 60335-1:2012+A11:2014, EN 50636-2-100:2014, EN ISO 3744:2010,
EN 55014-1:2006+A1:2009+A2:2011, EN 55014-2:1997+A1:2001+A2:2008,
EN 61000-3-2:2014, EN 61000-3-3:2013, EN 62233:2008, EN 50581:2012

Zmierzony poziom natężenia hałasu: 106,6 dB(A)
Maksymalny poziom natężenia hałasu: 108 dB(A)
Metoda ocena zgodności zgodnie z aneksem V Dyrektywa 2000/14/EC zmieniona przez dyrektywę 2005/88/EC.

Andrew John Eyre (BEng, CEng, MIET)
Wiceprezes ds. Zgodności Prawnej i Bezpieczeństwa
Winnenden, Jun. 20, 2016

Osoba upoważniona do sporządzenia dokumentu technicznego:
Alexander Krug, Dyrektor Zarządzający
Techtronic Industries GmbH
Max-Eyth-Straße 10, 71364 Winnenden, Germany

HU EC MEGFELELŐSÉGI NYILATKOZAT

Techtronic Industries GmbH
Max-Eyth-Straße 10, 71364 Winnenden, Germany

Ezúton kijelentjük, hogy a termékék

Elektromos lombfúvó/lombszívó
Márka: Ryobi
Típusszám: RBV3000CESV-01
Sorozatszám tartomány: 44467301000001 - 44467301999999

megfelel az alábbi Európai irányelvek és harmonizált szabványok vonatkozó rendelkezéseinek

2006/42/EC, 2014/30/EU, 2000/14/EC, 2005/88/EC, 2011/65/EU,
EN 60335-1:2012+A11:2014, EN 50636-2-100:2014, EN ISO 3744:2010,
EN 55014-1:2006+A1:2009+A2:2011, EN 55014-2:1997+A1:2001+A2:2008,
EN 61000-3-2:2014, EN 61000-3-3:2013, EN 62233:2008, EN 50581:2012

Mért hangteljesítményszint: 106,6 dB(A)
Garantált hangteljesítményszint: 108 dB(A)
A megfelelőségi értékelési eljárás a 2000/14/EC irányelv V. függeléké szerint történt által módosított 2005/88/EC irányelv.

Andrew John Eyre (BEng, CEng, MIET)
Alelnök, Megfelelőségi és Biztonsági Területek
Winnenden, Jun. 20, 2016

A műszaki dokumentáció összeállítására felhatalmazott:
Alexander Krug, Ügyvezető Igazgató
Techtronic Industries GmbH
Max-Eyth-Straße 10, 71364 Winnenden, Germany

CS PROHLÁŠENÍ O SHODĚ EC

Techtronic Industries GmbH
Max-Eyth-Straße 10, 71364 Winnenden, Germany

Tímto prohlašujeme, že výrobky

Elektrický fukar/vysavač
Značka: Ryobi
Číslo modelu: RBV3000CESV-01
Rozsah sériových čísel: 44467301000001 - 44467301999999

že tento výrobek je v souladu s evropskými a harmonizovanými standardy
2006/42/EC, 2014/30/EU, 2000/14/EC, 2005/88/EC, 2011/65/EU,
EN 60335-1:2012+A11:2014, EN 50636-2-100:2014, EN ISO 3744:2010,
EN 55014-1:2006+A1:2009+A2:2011, EN 55014-2:1997+A1:2001+A2:2008,
EN 61000-3-2:2014, EN 61000-3-3:2013, EN 62233:2008, EN 50581:2012

Změřená hladina akustického výkonu: 106,6 dB(A)
Zaručená hladina akustického výkonu: 108 dB(A)
Soulad s metodou určování pro přílohu V směrnice 2000/14/EC upravená 2005/88/EC.

Andrew John Eyre (BEng, CEng, MIET)
Viceprezident, Normy a Bezpečnost
Winnenden, Jun. 20, 2016

Pověření ke kompilaci technického souboru:
Alexander Krug, Generální Ředitel
Techtronic Industries GmbH
Max-Eyth-Straße 10, 71364 Winnenden, Germany

RO DECLARAȚIE DE CONFORMITATE EC

Techtronic Industries GmbH
Max-Eyth-Straße 10, 71364 Winnenden, Germany

Prin prezenta, declarăm că produsele

Aspirator/sulfantă electrică
Marca: Ryobi
Număr serie: RBV3000CESV-01
Gamă număr serie: 44467301000001 - 44467301999999

este în conformitate cu următoarele Directive Europene și standarde armonizate
2006/42/EC, 2014/30/EU, 2000/14/EC, 2005/88/EC, 2011/65/EU,
EN 60335-1:2012+A11:2014, EN 50636-2-100:2014, EN ISO 3744:2010,
EN 55014-1:2006+A1:2009+A2:2011, EN 55014-2:1997+A1:2001+A2:2008,
EN 61000-3-2:2014, EN 61000-3-3:2013, EN 62233:2008, EN 50581:2012

Nivelul măsurat al puterii acustice: 106,6 dB(A)
Nivel garantat al puterii acustice: 108 dB(A)
Metoda de evaluare a conformității cu Anexa V Directiva 2000/14/EC modificată prin 2005/88/EC.

Andrew John Eyre (BEng, CEng, MIET)
Vicepreședintele, Reglementare și Siguranță
Winnenden, Jun. 20, 2016

Autorizat să completeze fișa tehnică:
Alexander Krug, Director General
Techtronic Industries GmbH
Max-Eyth-Straße 10, 71364 Winnenden, Germany

LV EC ATBILSTĪBAS DEKLARĀCIJA

Techtronic Industries GmbH
Max-Eyth-Straße 10, 71364 Winnenden, Germany

Ar šo paziņojam, ka produkti

Elektriskais pūtējs/sūcējs
Zīmols: Ryobi
Modeļa numurs: RBV3000CESV-01
Sērijas numura intervāls: 44467301000001 - 44467301999999

atbilst šādām Eiropas direktīvām un saskaņotajiem standartiem

2006/42/EC, 2014/30/EU, 2000/14/EC, 2005/88/EC, 2011/65/EU,
EN 60335-1:2012+A11:2014, EN 50636-2-100:2014, EN ISO 3744:2010,
EN 55014-1:2006+A1:2009+A2:2011, EN 55014-2:1997+A1:2001+A2:2008,
EN 61000-3-2:2014, EN 61000-3-3:2013, EN 62233:2008, EN 50581:2012

Izmēritās skaņas jaudas līmenis: 106,6 dB(A)

Garantētais skaņas intensitātes līmenis: 108 dB(A)

Atbilstības novērtēšanas metode pielikumam V Direktīvai 2000/14/EC labota 2005/88/EC.

Andrew John Eyre (BEng, CEng, MIET)
Viceprezidents, Darba Drošības Noteikumi
Winnenden, Jun. 20, 2016

Pilnvarots sastādīt tehnisko failu:

Alexander Krug, Izpilddirektors
Techtronic Industries GmbH
Max-Eyth-Straße 10, 71364 Winnenden, Germany

ET EC VASTAVUSDEKLARATSIOON

Techtronic Industries GmbH
Max-Eyth-Straße 10, 71364 Winnenden, Germany

Kinnitame, et see toode

Elektriline puhur/rimur
Mark: Ryobi
Mudeli number: RBV3000CESV-01
Seriianumbri vahemik: 44467301000001 - 44467301999999

vastab järgmistele Euroopa direktiividele ja harmoniseeritud standarditele

2006/42/EC, 2014/30/EU, 2000/14/EC, 2005/88/EC, 2011/65/EU,
EN 60335-1:2012+A11:2014, EN 50636-2-100:2014, EN ISO 3744:2010,
EN 55014-1:2006+A1:2009+A2:2011, EN 55014-2:1997+A1:2001+A2:2008,
EN 61000-3-2:2014, EN 61000-3-3:2013, EN 62233:2008, EN 50581:2012

Möödetud helivõimsuse tase: 106,6 dB(A)

Garanteeritud helivõimsuse tase: 108 dB(A)

Vastavushindamine vastavalt lisale V direktiivis 2000/14/EC muudetud direktiiviga 2005/88/EC.

Andrew John Eyre (BEng, CEng, MIET)
Asepresident Standardiseerimise Ja Ohutuse Alal
Winnenden, Jun. 20, 2016

Tehnilise faili koostamiseks volitatud isik:

Alexander Krug, Tegevdirektor
Techtronic Industries GmbH
Max-Eyth-Straße 10, 71364 Winnenden, Germany

LT EC ATITIKTIKIS DEKLARACIJA

Techtronic Industries GmbH
Max-Eyth-Straße 10, 71364 Winnenden, Germany

Mes pareiškiame, kad šie produktai

Elektrinis lapų pušūtimo / siurbimo įtaisais
Prekės ženklas: Ryobi
Modelio numeris: RBV3000CESV-01
Serijinio numerio diapazonas: 44467301000001 - 44467301999999

pagamintas laikantis toliau nurodytųjų Europos Direktyvų ir darniųjų standartų

2006/42/EC, 2014/30/EU, 2000/14/EC, 2005/88/EC, 2011/65/EU,
EN 60335-1:2012+A11:2014, EN 50636-2-100:2014, EN ISO 3744:2010,
EN 55014-1:2006+A1:2009+A2:2011, EN 55014-2:1997+A1:2001+A2:2008,
EN 61000-3-2:2014, EN 61000-3-3:2013, EN 62233:2008, EN 50581:2012

Išmatuotas akustinis lygis: 106,6 dB(A)

Garantuotas akustinis lygis: 108 dB(A)

Atitikties įvertinimo metodas pagal direktyvos 2000/14/EC, V Priedą su pataisomis 2005/88/EC.

Andrew John Eyre (BEng, CEng, MIET)
Kontrolės Ir Saugos Viceprezidentas
Winnenden, Jun. 20, 2016

Įgaliotas sudaryti techninį failą:

Alexander Krug, Generalinis Direktorius
Techtronic Industries GmbH
Max-Eyth-Straße 10, 71364 Winnenden, Germany

HR EC IZJAVA O USKLADENOSTI

Techtronic Industries GmbH
Max-Eyth-Straße 10, 71364 Winnenden, Germany

Uvime izjavljujemo da su proizvodi

Električna puhalica/usisavač
Marka: Ryobi
Broj modela: RBV3000CESV-01
Raspon serijskog broja: 44467301000001 - 44467301999999

usklađeni sa sljedećim Europskim Direktivama i usklađenim normama

2006/42/EC, 2014/30/EU, 2000/14/EC, 2005/88/EC, 2011/65/EU,
EN 60335-1:2012+A11:2014, EN 50636-2-100:2014, EN ISO 3744:2010,
EN 55014-1:2006+A1:2009+A2:2011, EN 55014-2:1997+A1:2001+A2:2008,
EN 61000-3-2:2014, EN 61000-3-3:2013, EN 62233:2008, EN 50581:2012

Izmjerena razina zvučne snage: 106,6 dB(A)

Jamčena razina zvučne snage: 108 dB(A)

Metoda procjene usklađenosti prema Dodatku V Direktive 2000/14/EC navedeno u 2005/88/EC.

Andrew John Eyre (BEng, CEng, MIET)
Potpredsjednik za Pravila i Sigurnost
Winnenden, Jun. 20, 2016

Ovlašten da sastavi tehničku datoteku:

Alexander Krug, Direktor Upravljanja
Techtronic Industries GmbH
Max-Eyth-Straße 10, 71364 Winnenden, Germany

**SL** IZJAVA EC O SKLADNOSTI

Techtronic Industries GmbH
Max-Eyth-Straße 10, 71364 Winnenden, Germany

Izjavljamo, da je izdelek

Električni puhalnik/sesalnik
Znamka: Ryobi
Številka modela: RBV3000CESV-01
Razpon serijskih števil: 44467301000001 - 44467301999999

v skladu s sledečimi evropskimi direktivami in harmoniziranimi standardi

2006/42/EC, 2014/30/EU, 2000/14/EC, 2005/88/EC, 2011/65/EU,
EN 60335-1:2012+A11:2014, EN 50636-2-100:2014, EN ISO 3744:2010,
EN 55014-1:2006+A1:2009+A2:2011, EN 55014-2:1997+A1:2001+A2:2008,
EN 61000-3-2:2014, EN 61000-3-3:2013, EN 62233:2008, EN 50581:2012

Izmerjena raven zvočne moči: 106,6 dB(A)

Zajamčena raven zvočne moči: 108 dB(A)

Način ugotavljanja skladnosti z aneksom V direktive 2000/14/EC ki je bila spremenjena z 2005/88/EC.

Andrew John Eyre (BEng, CEng, MIET)
Podpredsednik, Zakonodajne In Varnostne Zadeve
Winnenden, Jun. 20, 2016

Pooblaščen oseba za sestavo tehnične dokumentacije:

Alexander Krug, Izvršni Direktor
Techtronic Industries GmbH
Max-Eyth-Straße 10, 71364 Winnenden, Germany

**BG** ЕС ДЕКЛАРАЦИЯ НА ЗА СЪОТВЕТСТВИЕ

Techtronic Industries GmbH
Max-Eyth-Straße 10, 71364 Winnenden, Germany

С настоящето декларираме, че продуктите

Електрически уред за обдухване/засмукване
Марка: Ryobi
Номер на модела: RBV3000CESV-01
Обхват на серийни номера: 44467301000001 - 44467301999999

отговаря на следните директиви на ЕС и хармонизирани стандарти

2006/42/EC, 2014/30/EU, 2000/14/EC, 2005/88/EC, 2011/65/EU,
EN 60335-1:2012+A11:2014, EN 50636-2-100:2014, EN ISO 3744:2010,
EN 55014-1:2006+A1:2009+A2:2011, EN 55014-2:1997+A1:2001+A2:2008,
EN 61000-3-2:2014, EN 61000-3-3:2013, EN 62233:2008, EN 50581:2012

Измерено ниво на шум: 106,6 dB(A)

Гарантирано ниво на шум: 108 dB(A)

Метод за оценяване на съответствието с приложение V Директива 2000/14/EC, изменена от 2005/88/EC.

Andrew John Eyre (BEng, CEng, MIET)
Вицепрезидент, Правни Услуги И Безопасност
Winnenden, Jun. 20, 2016

Упълномощено лице за съставяне на техническия файл:

Alexander Krug, Изпълнителен Директор
Techtronic Industries GmbH
Max-Eyth-Straße 10, 71364 Winnenden, Germany

**SK** PREHLÁSENIE O ZHODE EC

Techtronic Industries GmbH
Max-Eyth-Straße 10, 71364 Winnenden, Germany

Týmto vyhlasujeme, že výrobok

Elektrické dýchadlo/vysávač
Značka: Ryobi
Číslo modelu: RBV3000CESV-01
Rozsah sériových čísiel: 44467301000001 - 44467301999999

je v súlade s nasledujúcimi Európskymi smernicami a harmonizovanými normami

2006/42/EC, 2014/30/EU, 2000/14/EC, 2005/88/EC, 2011/65/EU,
EN 60335-1:2012+A11:2014, EN 50636-2-100:2014, EN ISO 3744:2010,
EN 55014-1:2006+A1:2009+A2:2011, EN 55014-2:1997+A1:2001+A2:2008,
EN 61000-3-2:2014, EN 61000-3-3:2013, EN 62233:2008, EN 50581:2012

Nameraná úroveň hluku: 106,6 dB(A)

Garantovaná úroveň hluku: 108 dB(A)

Spôsob určenia zhody podľa Dodatku V Smernica 2000/14/EC doplnená o 2005/88/EC.

Andrew John Eyre (BEng, CEng, MIET)
Viceprezident, Regulácia a Bezpečnosť
Winnenden, Jun. 20, 2016

Oprávnená osoba na zostavenie technického súboru:

Alexander Krug, Generálny Riaditeľ
Techtronic Industries GmbH
Max-Eyth-Straße 10, 71364 Winnenden, Germany

**UK** ЕС ДЕКЛАРАЦИЯ ПРО ВІДПОВІДНІСТЬ

Techtronic Industries GmbH
Max-Eyth-Straße 10, 71364 Winnenden, Germany

При цьому ми заявляємо, що продукт

Електрична повітрянука/вакуумна
Марка: Ryobi
Номер моделі: RBV3000CESV-01
Діапазон серійного номеру: 44467301000001 - 44467301999999

у відповідності з наступними європейськими директивами та

гармонізованими стандартами:
2006/42/EC, 2014/30/EU, 2000/14/EC, 2005/88/EC, 2011/65/EU,
EN 60335-1:2012+A11:2014, EN 50636-2-100:2014, EN ISO 3744:2010,
EN 55014-1:2006+A1:2009+A2:2011, EN 55014-2:1997+A1:2001+A2:2008,
EN 61000-3-2:2014, EN 61000-3-3:2013, EN 62233:2008, EN 50581:2012

Вимірний рівень звукової потужності: 106,6 dB (A)

Гарантований рівень звукової потужності: 108 dB (A)

Метод оцінки відповідності додаток V Директива 2000/14/EC з поправками, внесеними 2005/88/EC.

Andrew John Eyre (BEng, CEng, MIET)
Віце-президент, регулювання і безпека
Winnenden, Jun. 20, 2016

Дозвіл на складання технічного файла:

Alexander Krug, керуючий Директор
Techtronic Industries GmbH
Max-Eyth-Straße 10, 71364 Winnenden, Germany



TR UYGUNLUK BEYANI

Techtronic Industries GmbH
Max-Eyth-Straße 10, 71364 Winnenden, Germany

İş bu belge ile bu ürünün

Elektrikli Yaprak Toplama/Üfleme Makinesi

Marka: Ryobi

Model numarası: RBV3000CESV-01

Seri numarası aralığı: 44467301000001 - 44467301999999

aşağıdaki Avrupa Direktiflerine ve uyumlaştırılmış standartlara uygun olduğunu beyan ediyorum

2006/42/EC, 2014/30/EU, 2000/14/EC, 2005/88/EC, 2011/65/EU,

EN 60335-1:2012+A11:2014, EN 50636-2-100:2014, EN ISO 3744:2010,


EN 55014-1:2006+A1:2009+A2:2011, EN 55014-2:1997+A1:2001+A2:2008,

EN 61000-3-2:2014, EN 61000-3-3:2013, EN 62233:2008, EN 50581:2012

Ölçülen ses gücü seviyesi 106,6 dB (A)

Güvenceli ses gücü seviyesi: 108 dB (A)

2005/88/AT ile değiştirilen 2000/14/AT Direktifi Ek V uyarınca uygunluk değerlendirilmesi yöntemi



Andrew John Eyre (BEng, CEng, MIET)
Mevzuat ve Güvenlik Başkan Yardımcısı
Winnenden, Jun. 20, 2016

Teknik dosyayı derlemekle yetkili sorumlu:
Alexander Krug, Genel Müdür
Techtronic Industries GmbH
Max-Eyth-Straße 10, 71364 Winnenden, Germany







Techtronic Industries GmbH
Max-Eyth-Straße 10,
71364 Winnenden, Germany