

# Cantilever arm ALK

Cantilever arm made from FLS channel profile



Light pipe fixing



Cable tray on cantilever arm

2b

## Applications

- The ALK cantilever arm allows the economic installation of single pipes or pipelines along the wall.

## Certificates



Fire resistance classification  
R120



MLAR R30

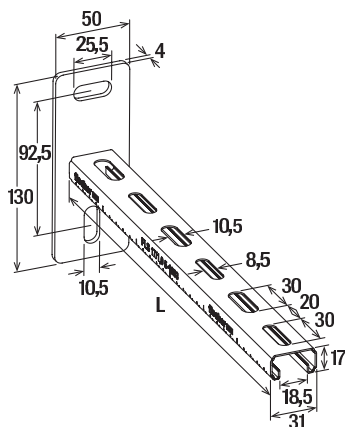
## Advantages/Benefits

- The fire inspection report in line with MLAR/EN1363-1 of the ALK 37 guarantees independently tested functional safety.
- The graduated range of lengths allows an ideal adaptation to the application.
- The console's stable base plate offers a secure hold for a load-bearing construction.
- The base plate's long slots, which are at 90° to one another, allow the console to be easily aligned.

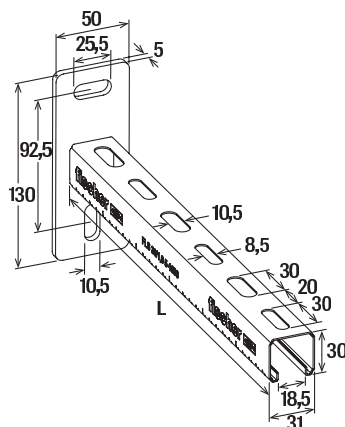
## Properties

- Material Base plate: steel E295 (material no.: 1.0050) acc. to DIN EN 10025-2
- Material Channel: steel S215 G (material no.: 10116 G) acc. to DIN 1623
- Zinc plating: electro zinc-plated, min. 13 µm

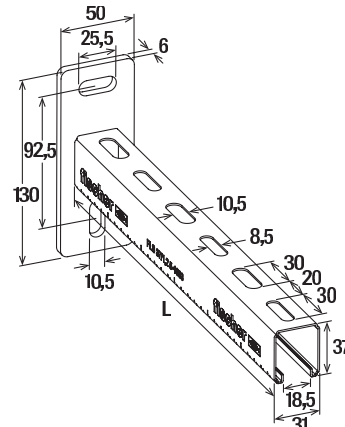
## Technical data



ALK 17



ALK 30



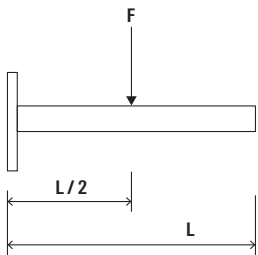
ALK 37

Item	Item No.	Fire test report	Profile	Length L [mm]	Sales unit [pcs]
ALK 17-200	538738	—	17/1,0	200	10
ALK 17-300	538739	—	17/1,0	300	10
ALK 30-200	538740	—	30/1,0	200	10
ALK 30-300	538741	—	30/1,0	300	10
ALK 30-450	538742	—	30/1,0	450	10
ALK 37-300	538743	X	37/1,2	300	10
ALK 37-450	538744	X	37/1,2	450	10
ALK 37-600	538745	X	37/1,2	600	5

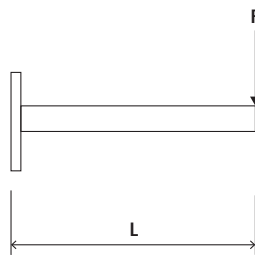
Loads

Item	Item No.	Max. recommended static load load case 1	Max. recommended static load load case 2	Max. recommended static load load case 3
		$F_{rec}$ [kN]	$F_{rec}$ [kN]	$F_{rec}$ [kN]
ALK 17-200	538738	0.49	0.24	0.49
ALK 17-300	538739	0.33	0.12	0.31
ALK 30-200	538740	1.18	0.59	1.18
ALK 30-300	538741	0.79	0.39	0.79
ALK 30-450	538742	0.53	0.22	0.53
ALK 37-300	538743	1.27	0.64	1.27
ALK 37-450	538744	0.86	0.41	0.86
ALK 37-600	538745	0.63	0.24	0.63

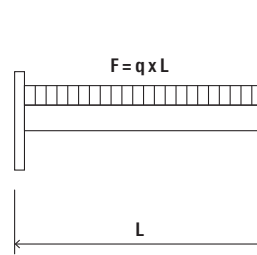
Load case 1



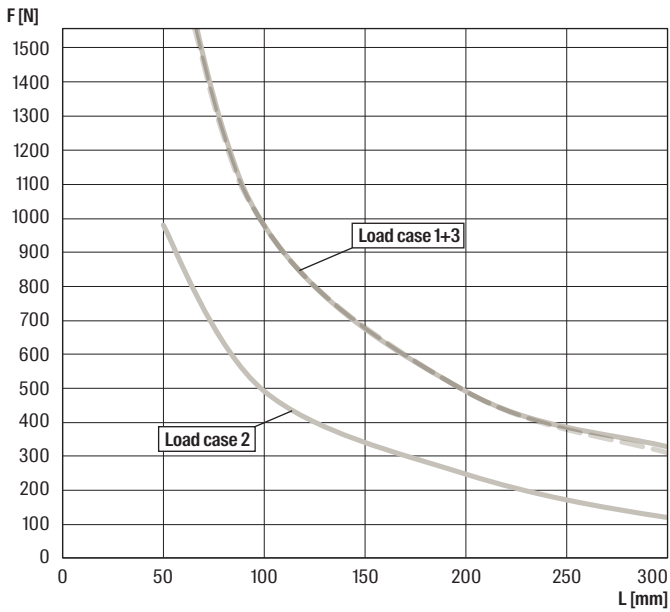
Load case 2



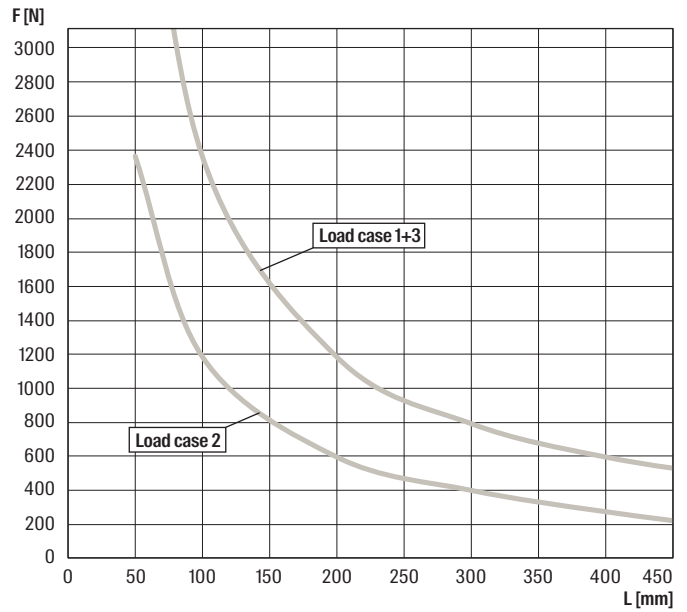
Load case 3



ALK 17/1,0



ALK 30/1,0

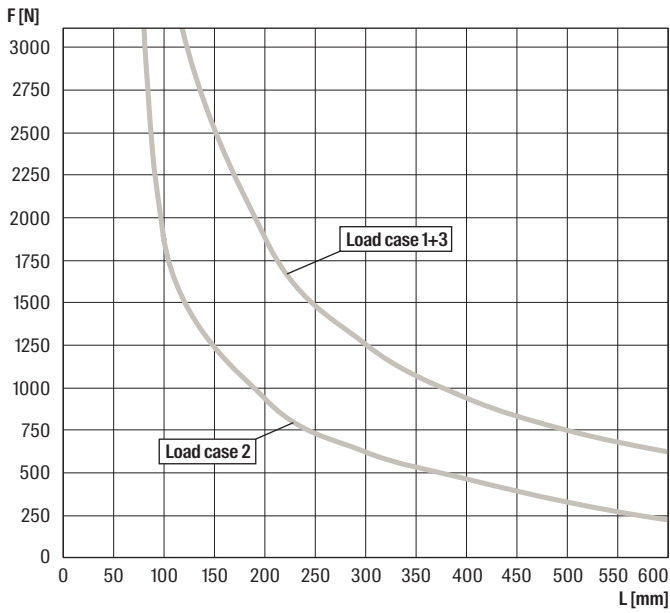


For the load curves, the permissible steel strain  $\delta_{adm.} = 188 \text{ N/mm}^2$  (increased steel strain due to bending) and the maximum deflection under load  $L/150$  are not exceeded. Fixings and screw fastenings must be calculated accordingly.

See also  
Rail rubber insert  
EMS



## FLS 37/1,2



For the load curves, the permissible steel strain  $\delta_{adm} = 188 \text{ N/mm}^2$  (increased steel strain due to bending) and the maximum deflection under load  $L/150$  are not exceeded. Fixings and screw fastenings must be calculated accordingly.

## Technical data



Item	Item No.	For profile	Material	Sales unit
				[pcs]
AK 17	538746	17/1.0	polypropylene	100
AK 30	538747	30/1.0	polypropylene	100
AK 37	538748	37/1.2	polypropylene	50

2b