



482751 Mudbox Angle type

Description

Mudboxes are used in systems which needs to be protected against debris during pipe installation or regular operation. Straight with PN 10 or ANSI 150 drilled flange ends. Sizes DN80 and above all have drain plugs.

Specifications

Flange standard:	ISO 7005-2
Face to face standard:	DIN 87151-1
Bonnet connection:	Bolted
Execution:	Angled



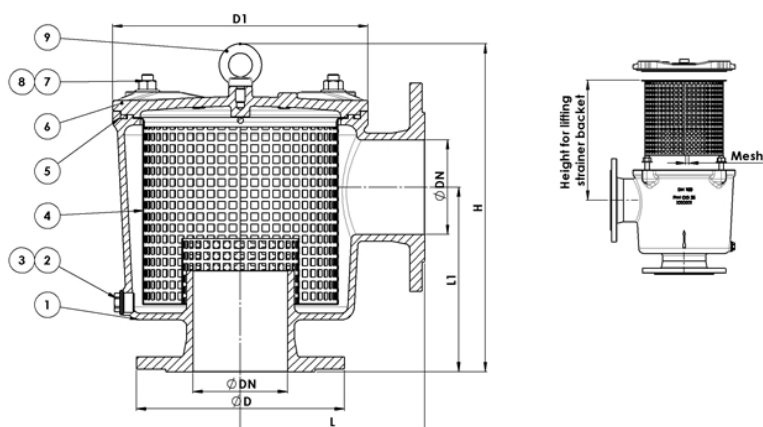
482751 Mudbox product image

Media

Fuel oil, lubricating oil and flammable hydraulic oil. Seawater and freshwater.

Material

No.	Part	Material
1	Body	Cast iron EN-JL1040 (GG25)
2	Washer	Copper
3	Plug	Brass CW607N (Ms58)
4	Strainer	Stainless steel 1.4432 (AISI316L)
5	O-ring	NBR
6	Bonnet	Ductile iron EN-JS1030 (GGG40)
7	Flange nut	Galvanized steel
8	Stud bolt	Galvanized steel
9	Lifting eyebolt	Galvanized steel



482751 Drawing

Strainer with 3mm mesh

DN	Pressure rating	Connection	L	D	D1	L1	H	Height for lifting strainer basket	Weight (kg)	Item no.
40	PN 4	PN 10	125	150	136	125	228	179	8.7	93993
50	PN 4	PN 10	135	165	172	135	241	198	11.7	93994
65	PN 4	PN 10	150	185	190	150	265	231	14.6	93995
80	PN 4	PN 10	175	200	229	175	297	263	19.8	93996
100	PN 4	PN 10	195	220	270	195	347	318	26.4	93997
125	PN 4	PN 10	220	250	302	220	381	365	37.5	93998
150	PN 4	PN 10	270	285	387	270	455	424	53.3	93999
200	PN 4	PN 10	300	340	479	300	523	528	88.8	94000
250	PN 4	PN 10	390	395	479	390	635	655	110.1	94001
300	PN 4	PN 10	450	478	630	450	729	769	169.0	94002

All measurements in mm. Weights are approximations.

Strainer with 5mm mesh

DN	Pressure rating	Connection	L	D	D1	L1	H	Height for lifting strainer basket	Weight (kg)	Item no.
40	PN 4	PN 10	125	150	136	125	228	179	8.7	93983
50	PN 4	PN 10	135	165	172	135	241	198	11.7	93984
65	PN 4	PN 10	150	185	190	150	265	231	14.6	93985
80	PN 4	PN 10	175	200	229	175	297	263	19.8	93986
100	PN 4	PN 10	195	220	270	195	347	318	26.4	93987
125	PN 4	PN 10	220	250	302	220	381	365	37.5	93988
150	PN 4	PN 10	270	285	387	270	455	424	53.3	93989

All measurements in mm. Weights are approximations.



Strainer with 5mm mesh

DN	Pressure rating	Connection	L	D	D1	L1	H	Height for lifting strainer basket	Weight (kg)	Item no.
200	PN 4	PN 10	300	340	479	300	523	528	88.8	93990
250	PN 4	PN 10	390	395	479	390	635	655	110.1	93991
300	PN 4	PN 10	450	478	630	450	729	769	169.0	93992

All measurements in mm. Weights are approximations.

Strainer with 8mm mesh

DN	Pressure rating	Connection	L	D	D1	L1	H	Height for lifting strainer basket	Weight (kg)	Item no.
40	PN 4	PN 10	125	150	136	125	228	179	8.7	94003
50	PN 4	PN 10	135	165	172	135	241	198	11.7	94004
65	PN 4	PN 10	150	185	190	150	265	231	14.6	94005
80	PN 4	PN 10	175	200	229	175	297	263	19.8	94006
100	PN 4	PN 10	195	220	270	195	347	318	26.4	94007
125	PN 4	PN 10	220	250	302	220	381	365	37.5	94008
150	PN 4	PN 10	270	285	387	270	455	424	53.3	94009
200	PN 4	PN 10	300	340	479	300	523	528	88.8	94010
250	PN 4	PN 10	390	395	479	390	635	655	110.1	94011
300	PN 4	PN 10	450	478	630	450	729	769	169.0	94012

All measurements in mm. Weights are approximations.