

MAINTENANCE MANUAL

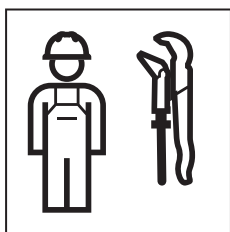
INSTANDHALTUNGSANLEITUNG

MANUEL D'ENTRETIEN

ISTRUZIONI PER LA MANUTENZIONE



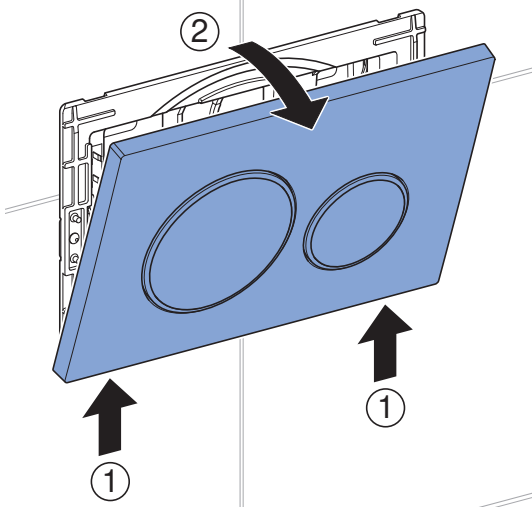
970.323.00.0(02)



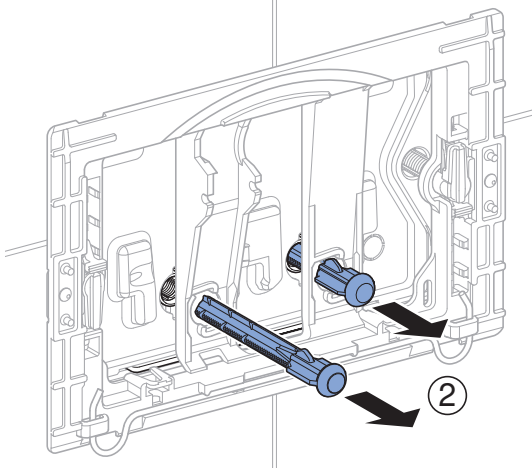
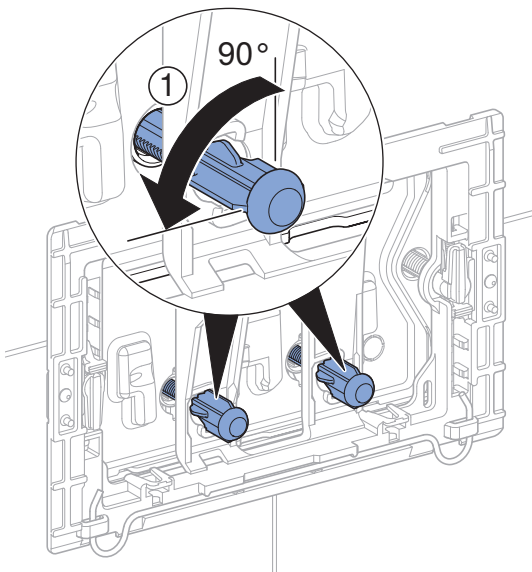


1

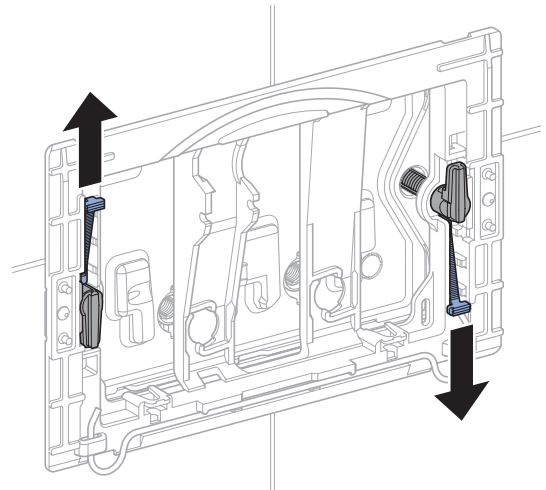
1



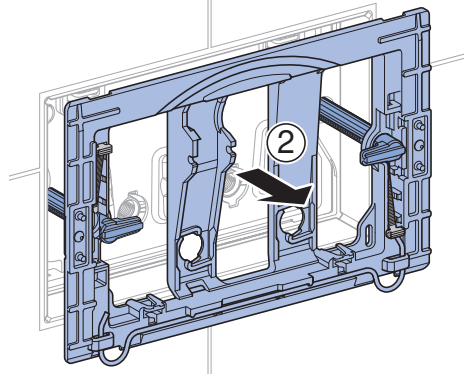
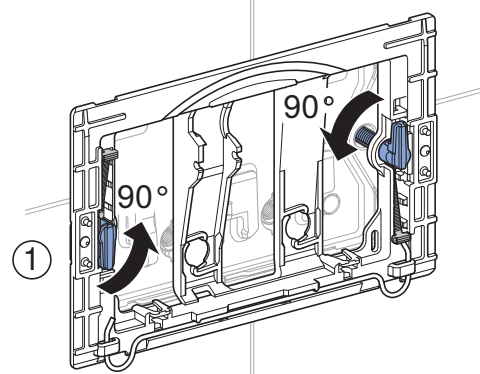
2



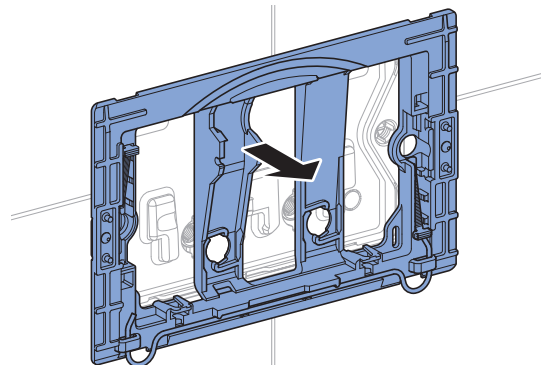
3



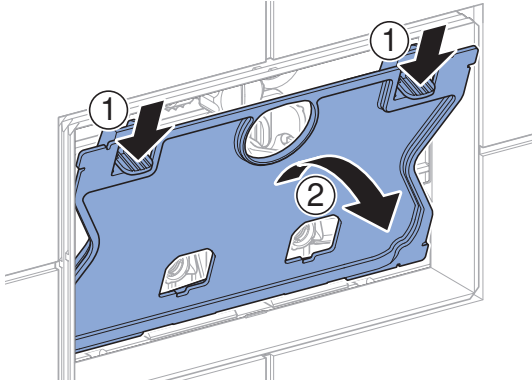
4



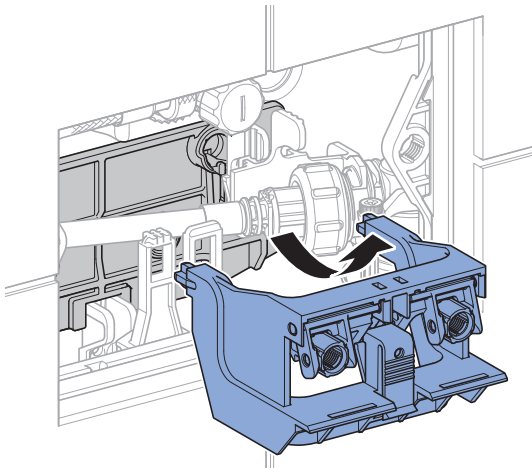
5



6

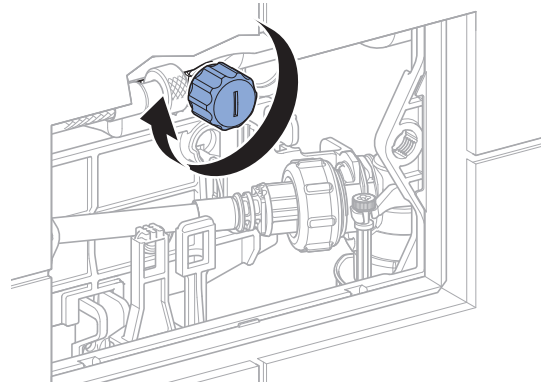


7

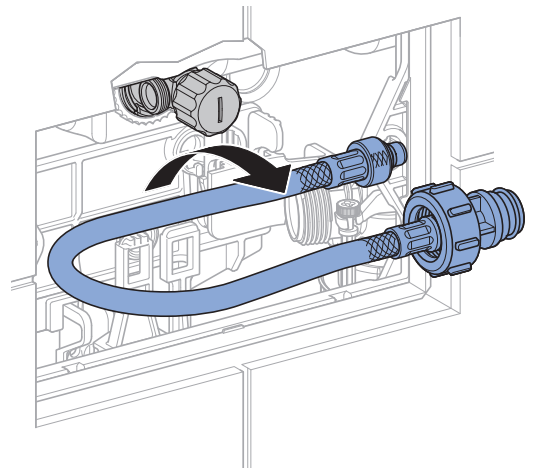


2

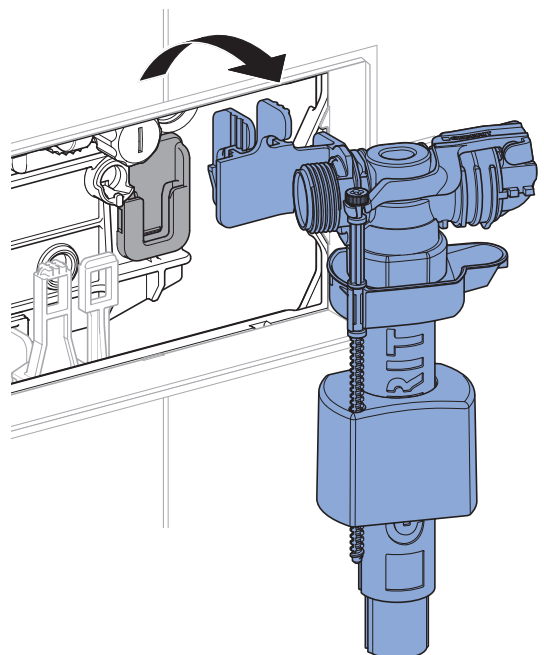
1



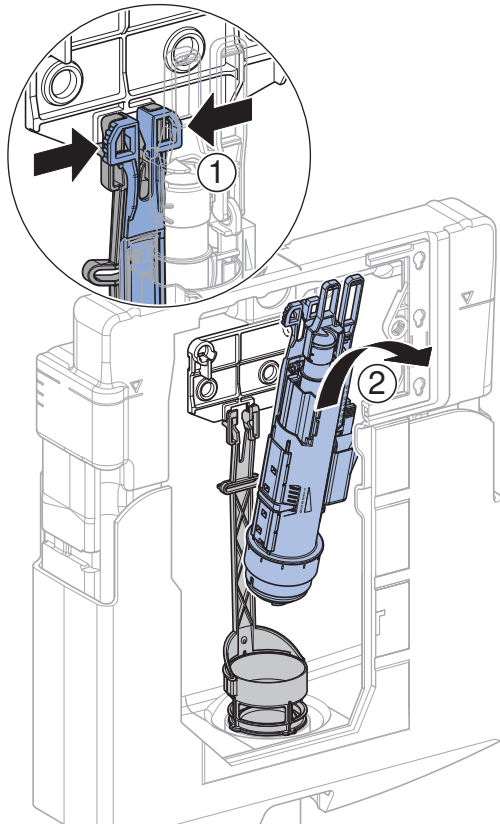
2



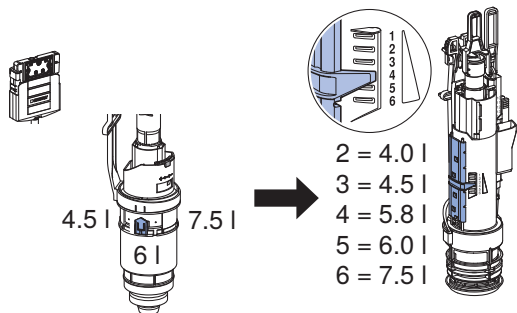
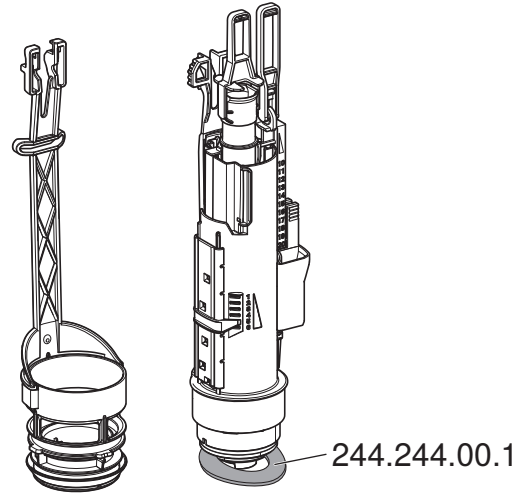
3



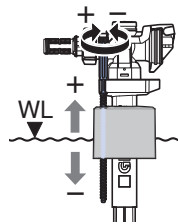
4



5

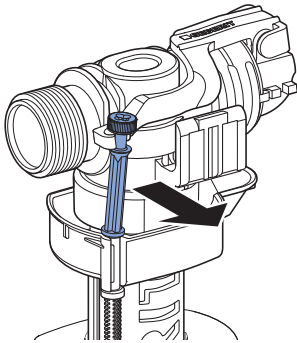


NOTE:
 Not applicable for US
 installations. Flush
 volume modifications shown
 are a violation of US law.
DO NOT ATTEMPT!

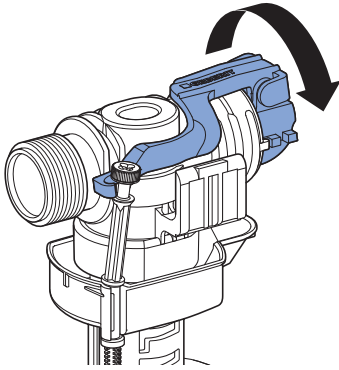


3

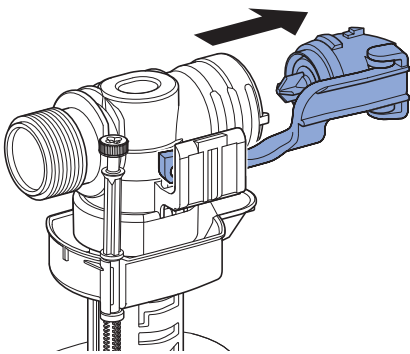
1



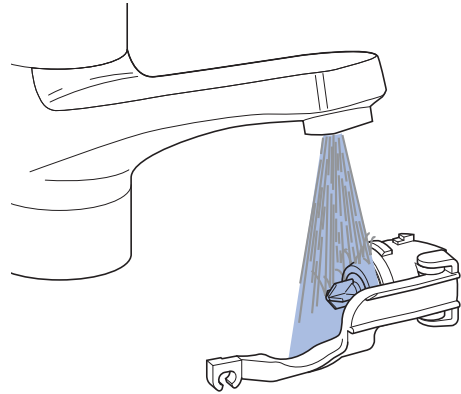
2



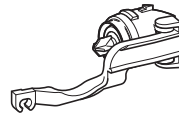
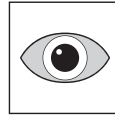
3

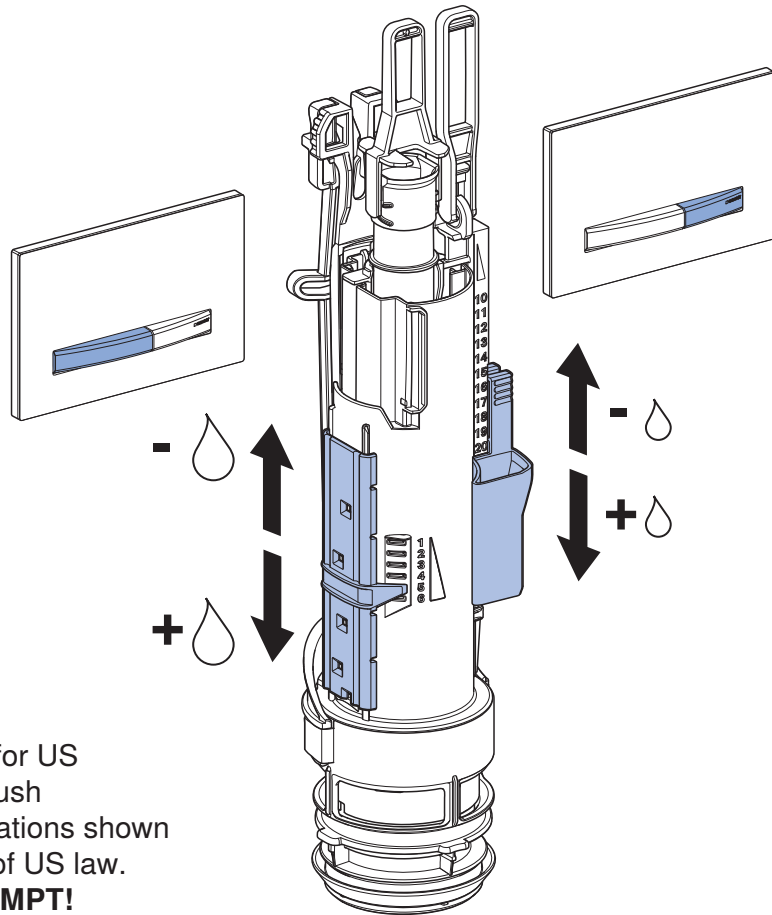


4

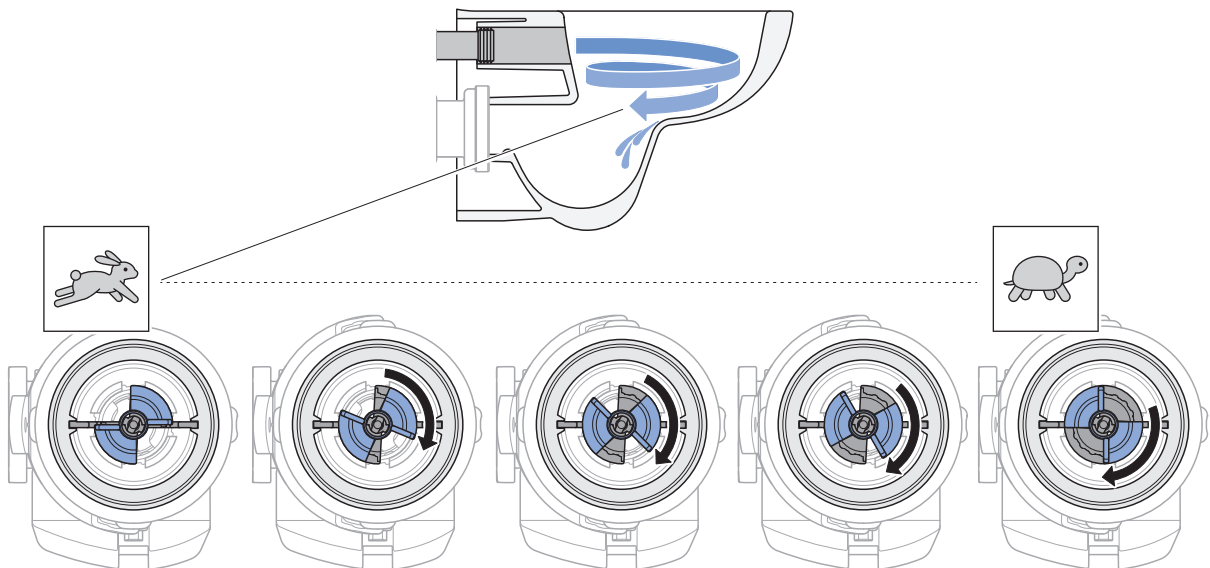


i





NOTE:
Not applicable for US
installations. Flush
volume modifications shown
are a violation of US law.
DO NOT ATTEMPT!





Geberit International AG
Schachenstrasse 77, CH-8645 Jona
documentation@geberit.com
www.geberit.com