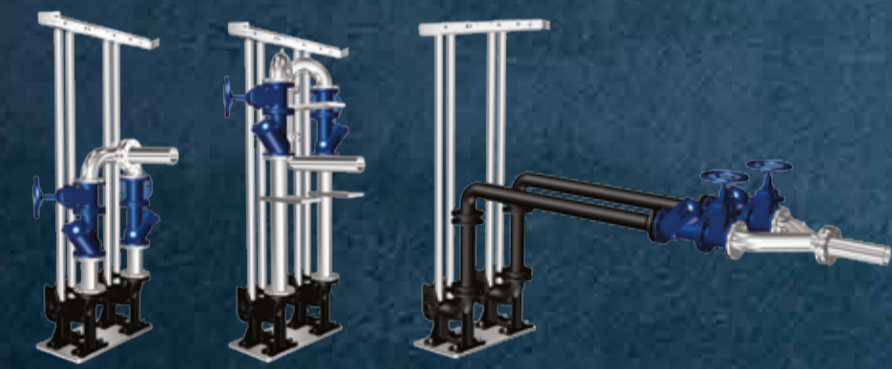


# GRUNDFOS PUMPING STATIONS – A COMPLETE & CE MARKED SYSTEM

| Inlet pipe                 | PS.R.05 | PS.R.08 | PS.R.10 | PS.R.12 | PS.R.17 | PS.G.12 | PS.G.14 | PS.G.16 | PS.G.18 | PS.G.20 | PS.G.22 | PS.G.30 |
|----------------------------|---------|---------|---------|---------|---------|---------|---------|---------|---------|---------|---------|---------|
| <b>Inlet material</b>      |         |         |         |         |         |         |         |         |         |         |         |         |
| PVC (Polyvinyl chloride)   |         |         |         |         |         | X       | X       | X       | X       | X       | X       | X       |
| PE (Polyethylene)          | X       | X       | X       | X       | X       | X       | X       | X       | X       | X       | X       | X       |
| Stainless steel (AISI 304) |         |         |         |         |         | X       | X       | X       | X       | X       | X       | X       |
| <b>Inlet size</b>          |         |         |         |         |         |         |         |         |         |         |         |         |
| DN50/D63                   | X       | X       | X       | X       | X       | X       | X       | X       | X       | X       | X       | X       |
| DN65/D75                   | X       | X       | X       | X       | X       | X       | X       | X       | X       | X       | X       | X       |
| DN80/D90                   | X       | X       | X       | X       | X       | X       | X       | X       | X       | X       | X       | X       |
| DN100/D110                 | X       | X       | X       | X       | X       | X       | X       | X       | X       | X       | X       | X       |
| DN150/D160                 | X       | X       | X       | X       | X       | X       | X       | X       | X       | X       | X       | X       |
| DN200/D200                 | X       | X       | X       | X       | X       | X       | X       | X       | X       | X       | X       | X       |
| DN250/D250                 |         |         |         |         |         | X       | X       | X       | X       | X       | X       | X       |
| DN300/D315                 |         |         |         |         | D315    | X       | X       | X       | X       | X       | X       | X       |
| DN350/D355                 |         |         |         |         |         | X       | X       | X       | X       | X       | X       | X       |
| DN400/D400                 |         |         |         |         |         | X       | X       | X       | X       | X       | X       | X       |
| DN500                      |         |         |         |         |         |         |         |         | X       | X       | X       | X       |
| DN600                      |         |         |         |         |         |         |         |         | X       | X       | X       | X       |
| <b>Inlet screen</b>        |         |         |         |         |         |         |         |         |         |         |         |         |
| Screen basket              |         |         |         |         | X       | X       | X       | X       | X       | X       | X       | X       |
| Baffle plate               |         |         |         |         | X       | X       | X       | X       | X       | X       | X       | X       |

| Pressure pipe                 | PS.R.05 | PS.R.08 | PS.R.10 | PS.R.12 | PS.R.17 | PS.G.12 | PS.G.14 | PS.G.16 | PS.G.18 | PS.G.20 | PS.G.22 | PS.G.30 |
|-------------------------------|---------|---------|---------|---------|---------|---------|---------|---------|---------|---------|---------|---------|
| <b>Pressure pipe material</b> |         |         |         |         |         |         |         |         |         |         |         |         |
| PE                            | X       | X       | X       | X       | X       | X       | X       | X       | X       | X       | X       | X       |
| Stainless steel (AISI 304)    | X       | X       | X       | X       | X       | X       | X       | X       | X       | X       | X       | X       |
| <b>Pressure pipe size</b>     |         |         |         |         |         |         |         |         |         |         |         |         |
| DN32/D40                      | X       |         |         |         |         |         |         |         |         |         |         |         |
| DN40/D50                      |         | X       | X       | X       |         |         |         |         |         |         |         |         |
| DN50/D63                      |         | X       | X       | X       | X       | X       | X       | X       | X       | X       | X       | X       |
| DN65/D75                      |         |         | X       | X       | X       | X       | X       | X       | X       | X       | X       | X       |
| DN80/D90                      |         |         | X       | X       | X       | X       | X       | X       | X       | X       | X       | X       |
| DN100/D110                    |         |         |         | X       |         | X       | X       | X       | X       | X       | X       | X       |
| DN150/D160                    |         |         |         |         |         | X       | X       | X       | X       | X       | X       | X       |
| DN200                         |         |         |         |         |         |         |         |         |         | X       | X       | X       |
| DN250                         |         |         |         |         |         |         |         |         |         |         | X       | X       |
| <b>Extra connection</b>       |         |         |         |         |         |         |         |         |         |         |         |         |
| Plug                          | X       | X       | X       | X       | X       | X       | X       | X       | X       | X       | X       | X       |
| Manometer                     | X       | X       | X       | X       | X       | X       | X       | X       | X       | X       | X       | X       |
| Vacuum breaker                | X       | X       | X       | X       | X       | X       | X       | X       | X       | X       | X       | X       |

| Pipe design                | PS.R.05 | PS.R.08 | PS.R.10 | PS.R.12 | PS.R.17 | PS.G.12 | PS.G.14 | PS.G.16 | PS.G.18 | PS.G.20 | PS.G.22 | PS.G.30 |
|----------------------------|---------|---------|---------|---------|---------|---------|---------|---------|---------|---------|---------|---------|
| Goose neck, common (GC)    | X       | X       | X       | X       | X       | X       | X       | X       | X       | X       | X       | X       |
| Direct outlet, common (DC) |         |         | X       | X       | X       | X       | X       | X       | X       | X       | X       | X       |
| Valve chamber (VC)         |         |         |         | X       | X       | X       | X       | X       | X       | X       | X       | X       |



| Technical specifications: | PS.R.05      | PS.R.08      | PS.R.10      | PS.R.12      | PS.R.17      | PS.G.12      | PS.G.14                          | PS.G.16                          | PS.G.18                          | PS.G.20                          | PS.G.22                          | PS.G.30                          |
|---------------------------|--------------|--------------|--------------|--------------|--------------|--------------|----------------------------------|----------------------------------|----------------------------------|----------------------------------|----------------------------------|----------------------------------|
| Length                    | 2000mm       | 1000-3000mm  | 1000-3000mm  | 2000-3000mm  | 2000-6000mm  | 1500-8000mm  | 1500-8000mm                      | 1500-8000mm                      | 1500-8000mm                      | 1500-8000mm                      | 1500-8000mm                      | 1500-8000mm                      |
| Sump diameter (mm)        | 500          | 800          | 1000         | 1200         | 1700         | 1200         | 1400                             | 1600                             | 1800                             | 2000                             | 2200                             | 3000                             |
| Pit material              | Polyethylene | Polyethylene | Polyethylene | Polyethylene | Polyethylene | Polyethylene | Glass-fibre-reinforced polyester | Glass-fibre-reinforced polyester | Glass-fibre-reinforced polyester | Glass-fibre-reinforced polyester | Glass-fibre-reinforced polyester | Glass-fibre-reinforced polyester |
| Numbers of pumps          | 1            | 1            | 1 or 2       | 1 or 2       | 2            | 2            | 2                                | 2                                | 2                                | 2                                | 2                                | 2 or 3                           |

Note: This page shows our standard program, but we can do much more!

| Connection - Other  | PS.R.05 | PS.R.08 | PS.R.10 | PS.R.12 | PS.R.17 | PS.G.12 | PS.G.14 | PS.G.16 | PS.G.18 | PS.G.20 | PS.G.22 | PS.G.30 |
|---------------------|---------|---------|---------|---------|---------|---------|---------|---------|---------|---------|---------|---------|
| Overflow connection | X       | X       | X       | X       | X       | X       | X       | X       | X       | X       | X       | X       |
| Cover mounted       |         |         |         |         |         |         |         |         | X       | X       | X       | X       |
| Side mounted        | X       | X       | X       | X       | X       | X       | X       | X       | X       | X       | X       | X       |
| Cable connection    | X       | X       | X       | X       | X       | X       | X       | X       | X       | X       | X       | X       |

| Pumps                                    | PS.R.05 | PS.R.08 | PS.R.10 | PS.R.12 | PS.R.17 | PS.G.12 | PS.G.14 | PS.G.16 | PS.G.18 | PS.G.20 | PS.G.22 | PS.G.30 |
|--|---------|---------|---------|---------|---------|---------|---------|---------|---------|---------|---------|---------|
| <b>Pump type</b>                         |         |         |         |         |         |         |         |         |         |         |         |         |
| KP: Unilift KP, Unilift CC               | X       |         |         |         |         |         |         |         |         |         |         |         |
| AP35: Unilift AP12.40, Unilift AP35      |         | X       | X       | X       |         |         |         |         |         |         |         |         |
| AP50: Unilift AP12.50, Unilift AP50      |         | X       | X       | X       |         |         |         |         |         |         |         |         |
| APB: Unilift AP35B, Unilift AP50B        |         | X       | X       | X       |         |         |         |         |         |         |         |         |
| DP/EF: DP (0.6 - 1.5kW), EF              |         | X       | X       | X       | X       | X       | X       | X       | X       | X       | X       | X       |
| DP/SE: DP (2.6kW), SL1.50.65 & SLV.65.65 |         | X       | X       | X       | X       | X       | X       | X       | X       | X       | X       | X       |
| SEG: SEG                                 |         | X       | X       | X       | X       | X       | X       | X       | X       | X       | X       | X       |
| SE/SL                                    |         |         |         |         |         |         |         |         |         |         |         |         |
| 5  |         |         |         |         |         |         |         |         |         |         |         |         |

| Installation type              | PS.R.05 | PS.R.08 | PS.R.10 | PS.R.12 | PS.R.17 | PS.G.12 | PS.G.14 | PS.G.16 | PS.G.18 | PS.G.20 | PS.G.22 | PS.G.30 |
|--------------------------------|---------|---------|---------|---------|---------|---------|---------|---------|---------|---------|---------|---------|
| Free standing                  | X       | X       | X       | X       |         |         |         |         |         |         |         |         |
| Hookup with Auto coupling      |         |         | X       |         |         |         |         |         |         |         |         |         |
| Submersible with auto coupling | X       | X       | X       | X       | X       | X       | X       | X       | X       | X       | X       | X       |

| Cover                                    | PS.R.05 | PS.R.08 | PS.R.10 | PS.R.12 | PS.R.17 | PS.G.12 | PS.G.14 | PS.G.16 | PS.G.18 | PS.G.20 | PS.G.22 | PS.G.30 |
|--|---------|---------|---------|---------|---------|---------|---------|---------|---------|---------|---------|---------|
| Standard cover PE                        | X       | X       | X       | X       |         |         |         |         |         |         |         |         |
| Reduced top with PE cover                |         |         |         |         | X       |         |         |         |         |         |         |         |
| Standard hatch aluminum                  |         |         |         |         | X       | X       | X       | X       | X       | X       | X       | X       |
| Traffic cover cast iron (Class D)        |         |         | X       | X       | X       | X       | X       | X       | X       | X       | X       | X       |
| Traffic cover galvanized steel (Class D) |         |         |         |         |         | X       | X       | X       | X       | X       | X       | X       |
| Traffic cover stainless steel (Class D)  |         |         |         |         |         | X       |         |         |         |         |         |         |
| Safety grid                              |         |         |         |         |         | X       | X       | X       | X       | X       | X       | X       |

| Extra options    | PS.R.05 | PS.R.08 | PS.R.10 | PS.R.12 | PS.R.17 | PS.G.12 | PS.G.14 | PS.G.16 | PS.G.18 | PS.G.20 | PS.G.22 | PS.G.30 |
|------------------|---------|---------|---------|---------|---------|---------|---------|---------|---------|---------|---------|---------|
| Service platform |         |         |         |         |         |         |         | X       | X       | X       | X       | X       |
| Insulation       |         |         |         |         |         | X       | X       | X       | X       | X       | X       | X       |

| Accessories            | PS.R.05 | PS.R.08 | PS.R.10 | PS.R.12 | PS.R.17 | PS.G.12 | PS.G.14 | PS.G.16 | PS.G.18 | PS.G.20 | PS.G.22 | PS.G.30 |
|------------------------|---------|---------|---------|---------|---------|---------|---------|---------|---------|---------|---------|---------|
| Mixer solution         |         |         |         |         |         | X       |         |         |         |         |         |         |
| Cone connection joints | X       | X       | X       | X       | X       | X       | X       | X       | X       | X       | X       | X       |
| Hole saw               | X       | X       | X       | X       | X       | X       |         |         |         |         |         |         |
| Center drill           | X       | X       | X       | X       | X       | X       |         |         |         |         |         |         |
| Commissioning          | X       | X       | X       | X       | X       | X       | X       | X       | X       | X       | X       | X       |

| Technical specification                                | LC(D) 108 | LC(D) 115 | Dedicated |
|--|-----------|-----------|-----------|
| Basic control  | X         | X         |           |
| Advanced control                                       |           |           | X         |
| <b>Control &amp; monitoring</b>                        |           |           |           |
| <b>Level control, alarm and dry running protection</b> |           |           |           |
| Float switches   | X         |           | X         |
| Pressure sensor  |           | X         | X         |
| Other solutions (FPV)                                  |           |           | X         |
| <b>Monitoring</b>                                      |           |           |           |
| Modbus   |           |           | X         |
| GSM/GPRS   |           |           | X         |
| GRM (Grundfos Remote Management)                       |           |           | X         |
| <b>Variable speed</b>                                  |           |           |           |
| CUE frequency converter                                |           |           | X         |
| <b>Accessories</b>                                     |           |           |           |
| Battery backup   | X         | X         | X         |
| Flashing beacon for external alarm                     | X         | X         |           |
| Alarm horn, indoor installation                        | X         | X         |           |
| Combined hour and start counter                        | X         | X         |           |
| Hour counter   | X         | X         |           |
| External mains switch for supply cable                 | X         | X         |           |
| MP204 motor protection per pump                        |           |           | X         |
| System fault light                                     |           |           | X         |
| Pump fault light                                       |           |           | X         |
| Audible alarm 100db                                    |           |           | X         |
| Ampere meter per pump                                  |           |           | X         |
| Voltmeter with phase switch                            |           |           | X         |
| Hour counter in cabinet door                           |           |           | X         |
| Beacon internal  |           |           | X         |
| Phase monitoring                                       |           |           | X         |
| Main switch with neutral                               |           |           | X         |
| Transient voltage protection                           |           |           | X         |
| Lightning protection                                   |           |           | X         |
| Residual-current circuit breaker                       |           |           | X         |
| Auto switch power supply, 45kW                         |           |           | X         |
| Cabinet heater 30W                                     |           |           | X         |
| Panel light 230V with socket                           |           |           | X         |
| Manual reset switch in cabinet door                    |           |           | X         |
| External service plug 3x400V 16A                       |           |           | X         |
| Outdoor cabinet double door                            |           |           | X         |

be  
think  
innovate

GRUNDFOS

be think innovate



To learn more go to:

[www.grundfos.com](http://www.grundfos.com)  
[www.product-selection.grundfos.com](http://www.product-selection.grundfos.com)

The image, text, graphics, logos, and marks contained in this advertisement are registered trademarks owned by Grundfos Holding A/S or Grundfos A/S, Denmark. All rights reserved worldwide. © 2020 Grundfos. All rights reserved.

GRUNDFOS Holding A/S  
 Poul Due Jensen Vej 7  
 DK-8850 Bjerringbro  
 Tel: +45 87 50 14 00  
[www.grundfos.com](http://www.grundfos.com)



be think innovate



# OPTIMISED WASTEWATER SOLUTIONS

All-in-one pumping stations tailored to your needs



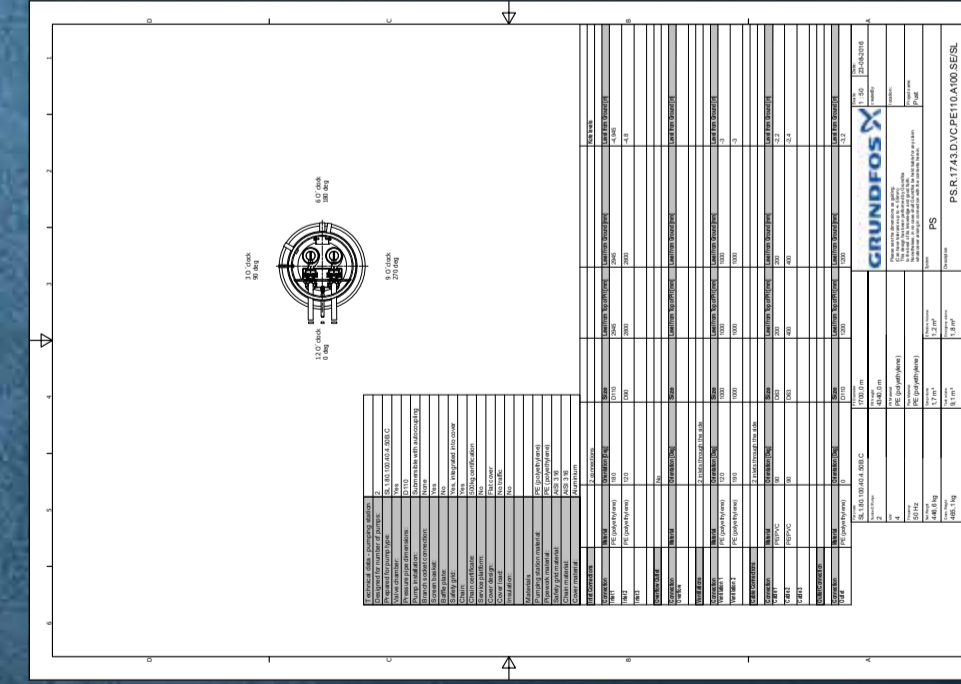
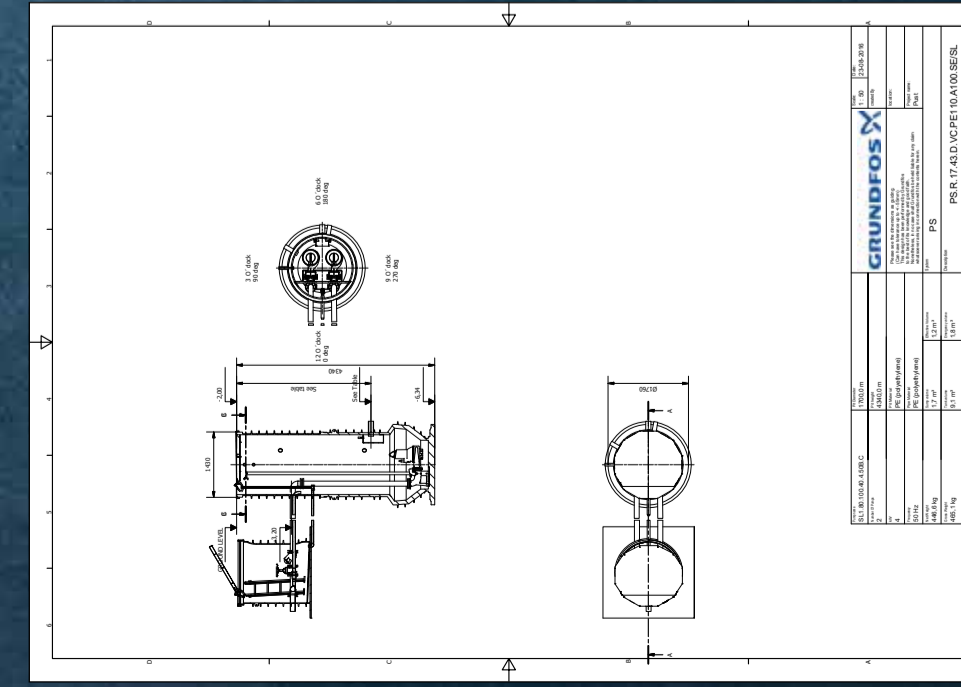
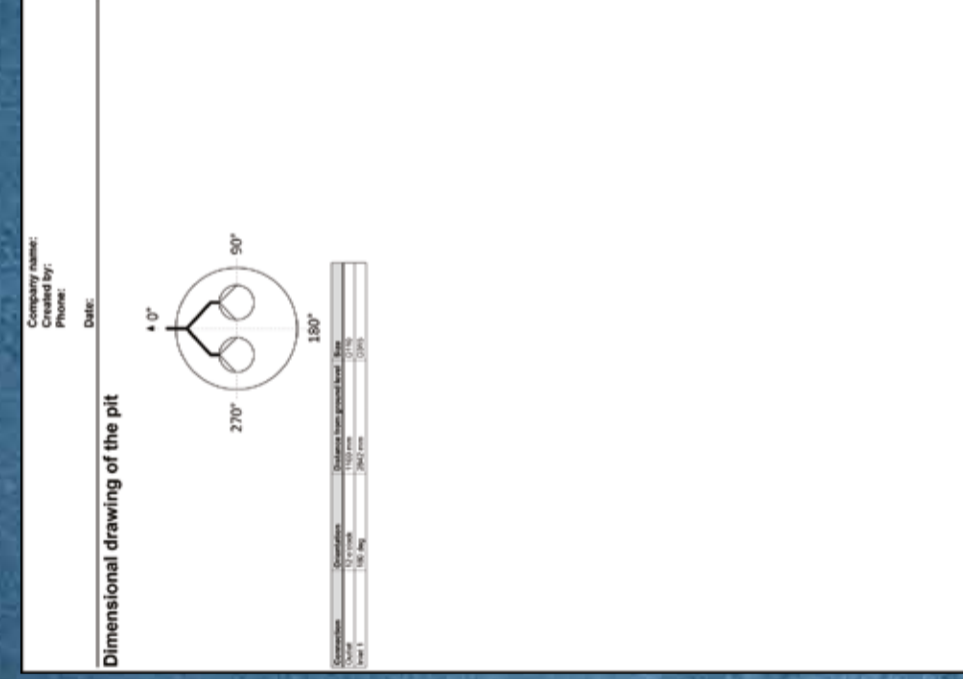
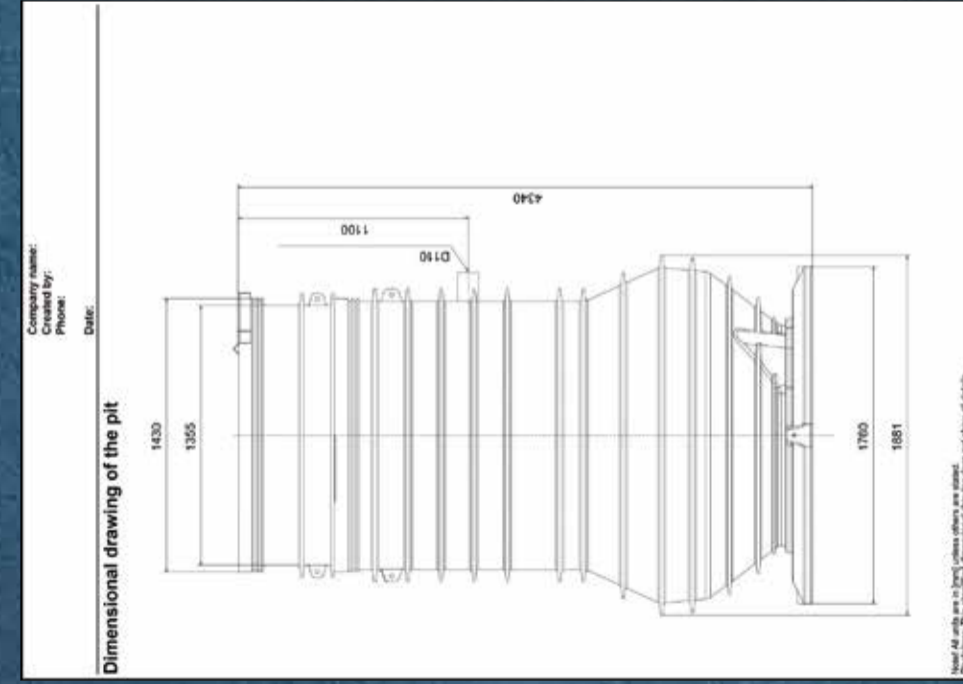
GRUNDFOS PREFABRICATED PUMPING STATIONS

# GRUNDFOS PUMPING STATION CREATOR OFFERS THE COMPLETE PACKAGE

CUSTOMIZED SOLUTION TAILORED TO YOUR SPECIFICATION, INCLUDING SYSTEM CE MARKING - PURE PLUG-AND-PLAY SOLUTION

The full documentation package is generated "on the fly" and includes:

- Drawing documentation, including 3D CAD drawing, 2D dimensional drawing & 2D specification drawing.



All drawings are generated according to your specification and are all available at the end of the configuration. The 2D specification drawing can be generated according to a reference level set by the user. The 2D specification drawing will be sent to the users e-mail within 10min after end configuration.

## DESIGN YOUR PUMPING STATION IN 5 QUICK STEPS:

CUSTOMER SPECIFICATION OR INQUIRY



1 Input your requirements

As a minimum insert the data, marked with red boxes.

1

2 Select a solution

You can always review a result by clicking the magnifying glass.

2

3 Configure & customise

Select pipe design, pipe size, material etc. Basically everything installed in the station.

3

4 Pick your accessories

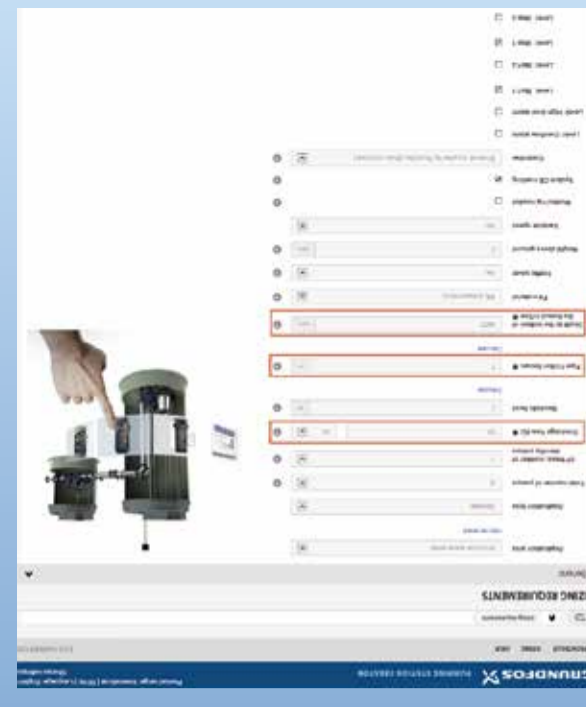
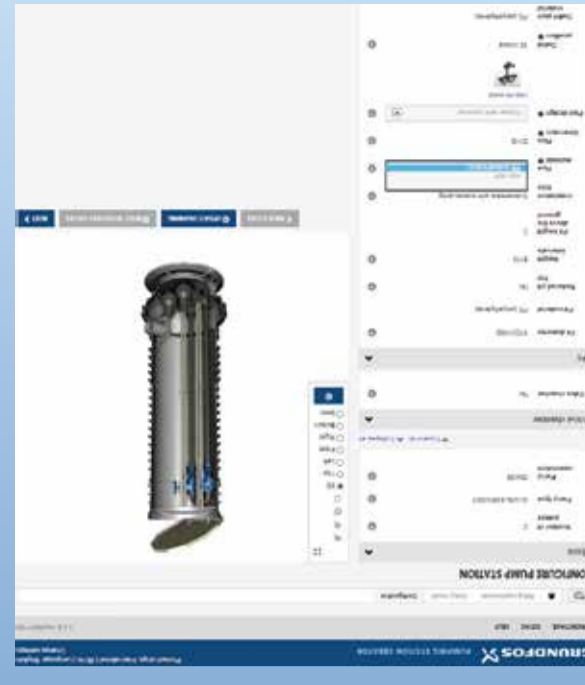
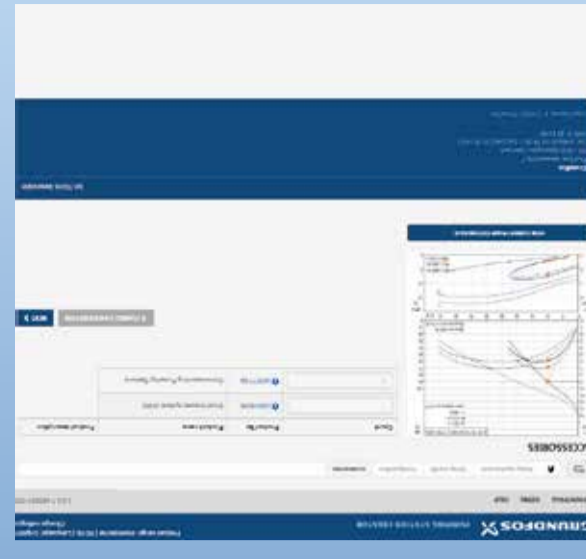
Select the desired accessories, including commissioning.

4

5 Print or E-mail your order

Download 3D CAD, 2D specification drawing and print your report.

5



...beside drawings the documentation include: Configured system description, Tender text, Sizing overview, Suggested level settings, quotation texts and pump curve.

