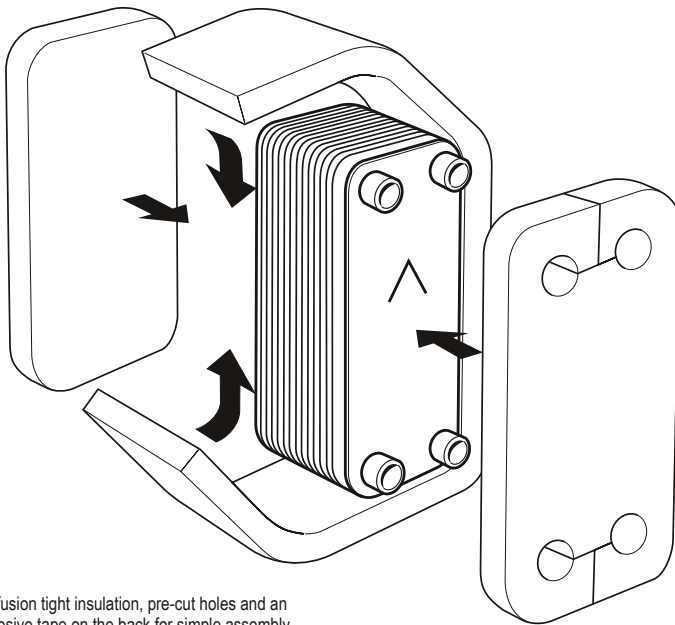


This product sheet describes our insulation for refrigerant applications.

SWEP accessories meet the same high standards as the company's BPHEs. They are produced according to SWEP's specification by rigorously selected suppliers. The high-quality materials are carefully chosen for compatibility, while the accurate dimensions save you time and money on installation. With SWEP accessories you have the assurance that everything will fit and perform the way the design engineers intended.

For more information, please contact your local SWEP representative.



*Diffusion tight insulation, pre-cut holes and an adhesive tape on the back for simple assembly.

Technical data	
Min operating temperature	-40°C
Max operating temperature	105°C
Fire resistance	B1, Tr1, Q2 (ÖNORM B3800)
Insulation material	NBR Foam
Thickness	20 mm

Thermal conductivity	
0°C	0.036 W/mK
10°C	0.037 W/mK
50°C	0.040 W/mK

Size	5/5T	8T	10/10T	12	15	16/26	25/25T	28/80	35	45
Max NoP	60	60	140	140	50	140	140	140	250	250

*Only available in selected 10th NoP (for example 10, 20, 30, etc). NoP = Number of Plates

Size	50	200/200T	56	57	60	65	400/400T	427	649	439/500T
Max NoP	280	250	280	280	60	370	230	280	400	400

*Only available in selected 10th NoP (for example 10, 20, 30, etc). NoP = Number of Plates