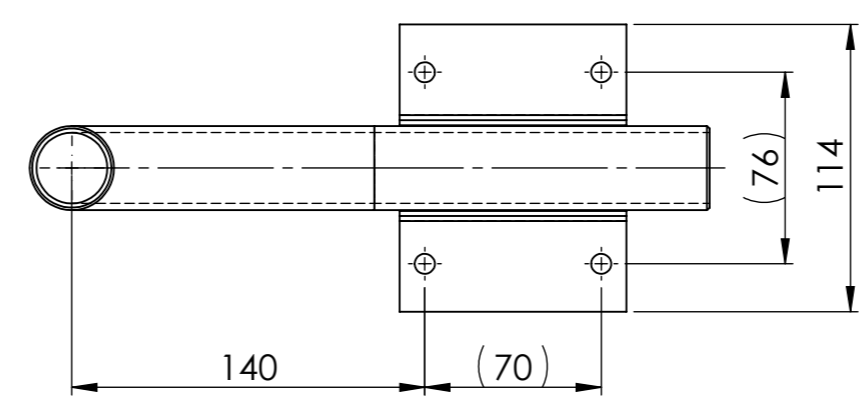


DETAIL B
SCALE 1 : 1



Tolerances according to ISO-2768-m
Welding according to ISO-5817-C

-	New drawing	2015-09-30	FaÅn
Rev.	Description	Date	Sign.

2	2			
1	1			Pipe
Item No.	Drawing No. / Art. No.	Dimension / Material	Description	
Consultant 		Prepared by FaÅn	Approved by DK	Date 2015-09-30
Owner 		Title Wall bracket		Scale 1:3
				General Tolerances ISO 2768-m
				Drawing No.
				Rev. -
				Sheet 1 (1)

This document must not be copied without our written permission, and the contents thereof must not be imparted to a third party nor be used for any unauthorized purpose. Contravention will be prosecuted.