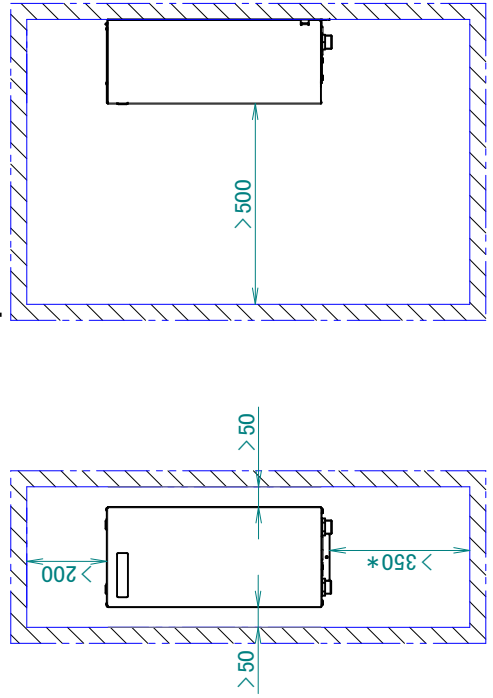
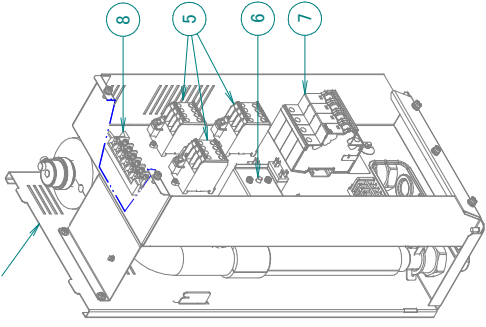


Minimum Installation service space

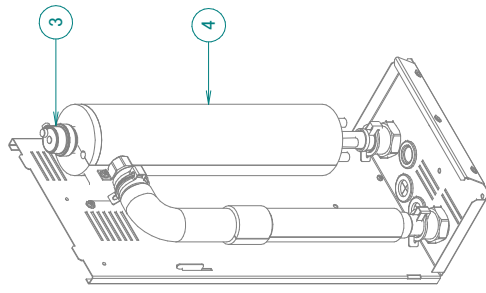
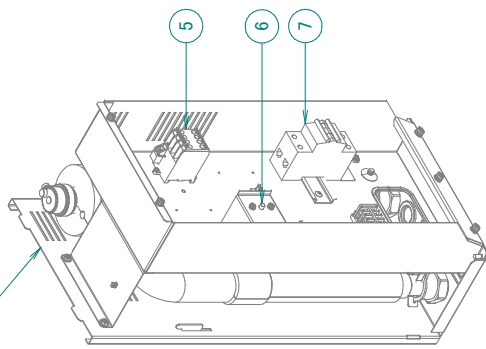


* When installing optional accessories, refer to their respective documentation.

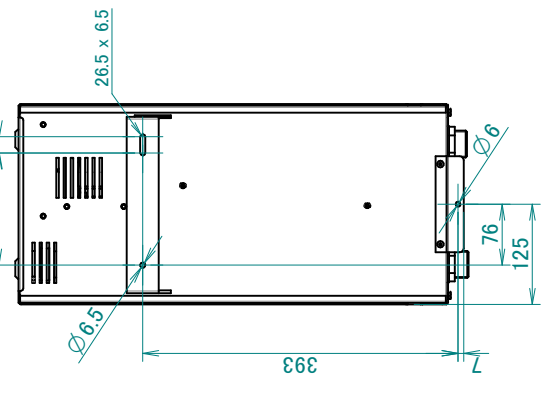
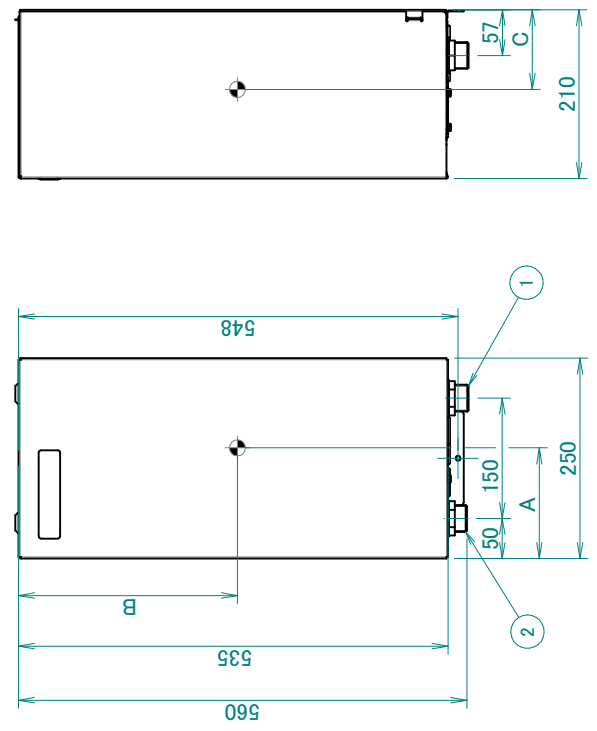
Backup heater configuration (only for .*KMBUHC9W+EKLBUHCB6W.)



Backup heater configuration (only for .*KMBUHC3V.)



- 1 Water in connection ·1" M·
- 2 Water out connection ·1" M·
- 3 Air purge
- 4 Backup heater
- 5 Contactor backup heater
- 6 Thermal cutout
- 7 Backup heater overcurrent fuse
- 8 Terminal block



Centre of gravity

MODEL	A	B	C
*3V3	132	272	103
*9W1/*6W1	138	273	99