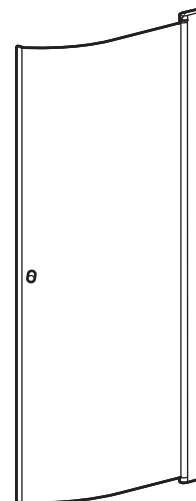
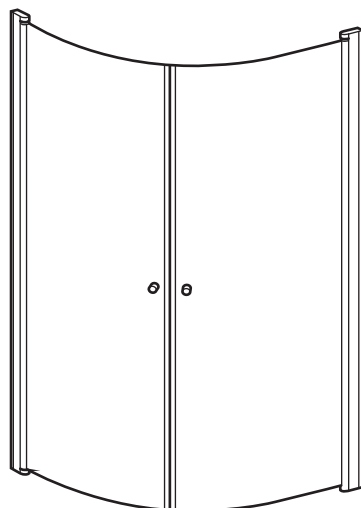
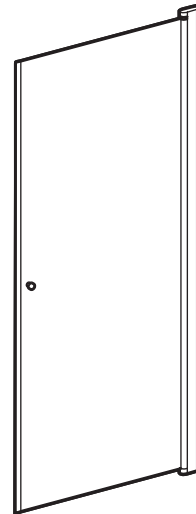
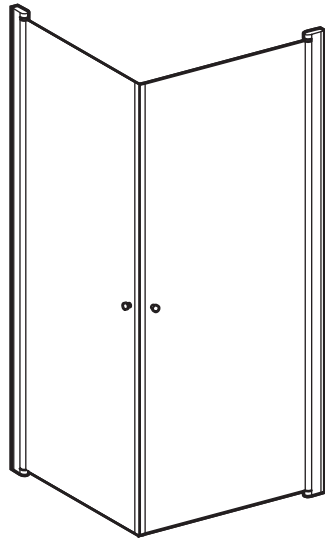
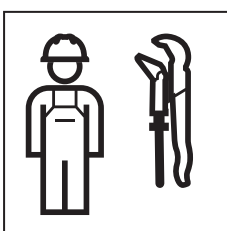


CONTURA *Shower*

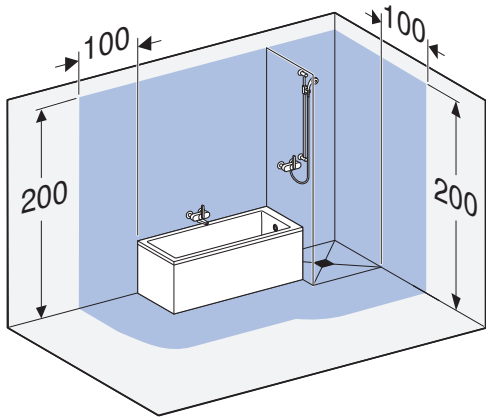


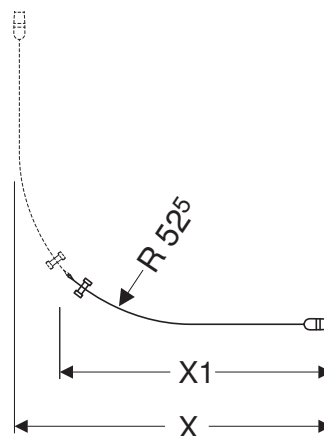
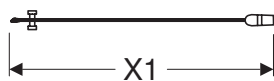
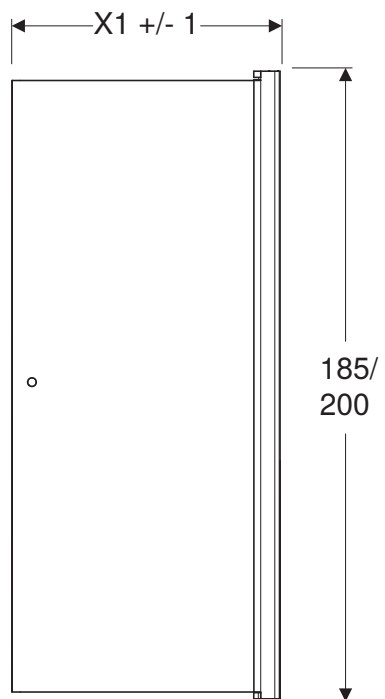
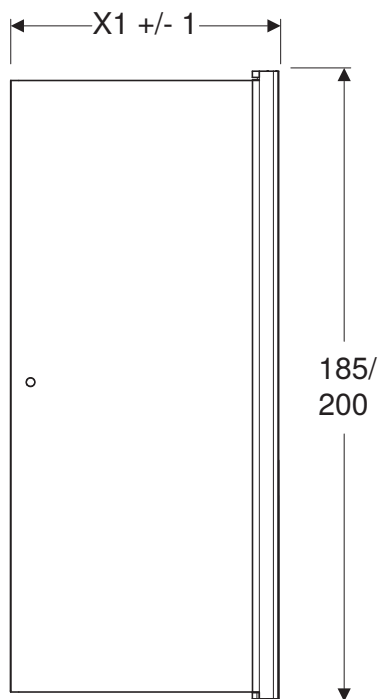
INSTALLATION MANUAL

MONTERINGSANVISNING
MONTERINGSANVISNING
MONTERINGSVEJLEDNING
ASENNUSOHJE



970.790.00.0(04)

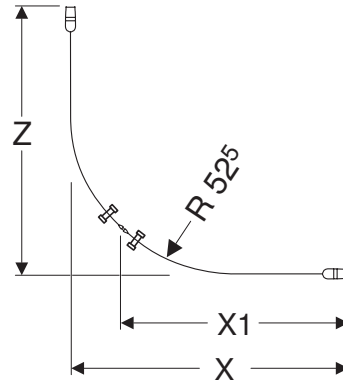
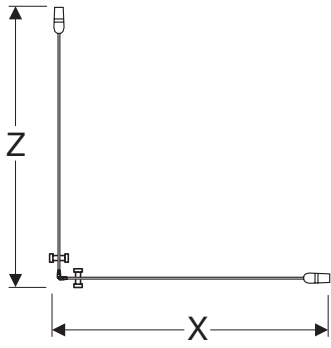
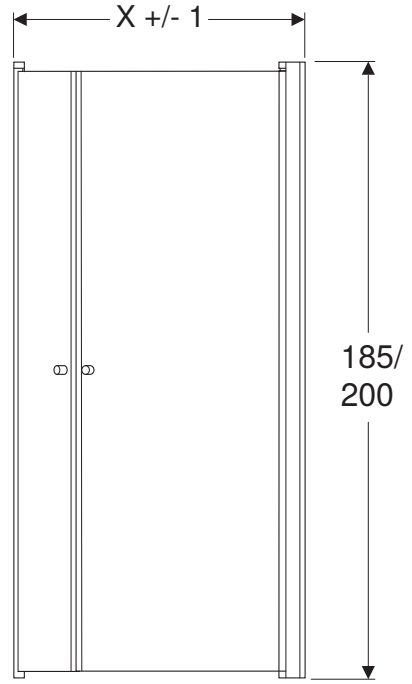
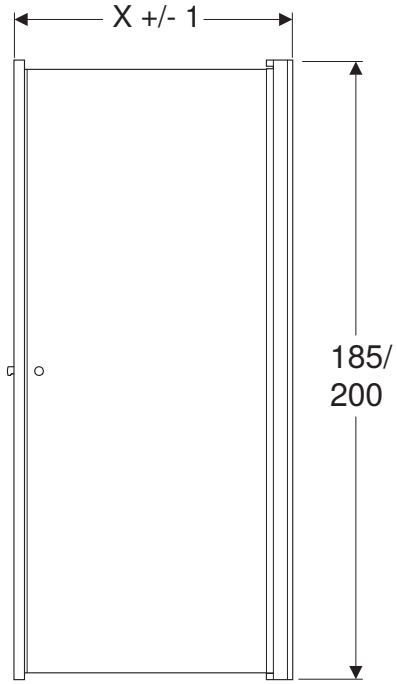




| X | X1 | |
|-----|----|---------|
| 60 | 58 | ± 1 |
| 65 | 63 | ± 1 |
| 70 | 68 | ± 1 |
| 75 | 73 | ± 1 |
| 80 | 78 | ± 1 |
| 85 | 83 | ± 1 |
| 90 | 88 | ± 1 |
| 100 | 98 | ± 1 |

| X | |
|----|---------|
| 80 | ± 1 |
| 90 | ± 1 |

| X1 | |
|--------|---------|
| 63^3 | ± 1 |
| 73^3 | ± 1 |



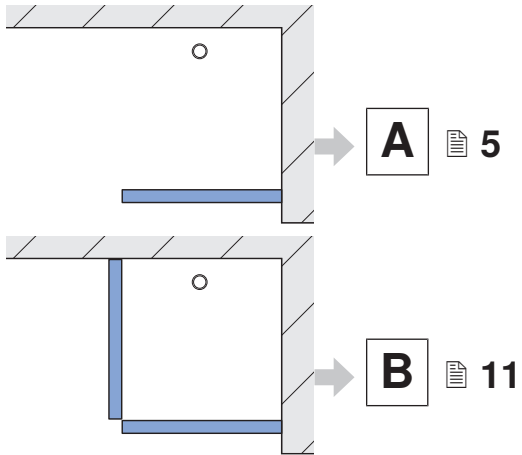
| | |
|----|---------|
| X | |
| 80 | ± 1 |
| 90 | ± 1 |

| | |
|----|---------|
| X | |
| 80 | ± 1 |
| 90 | ± 1 |

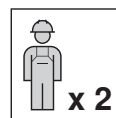
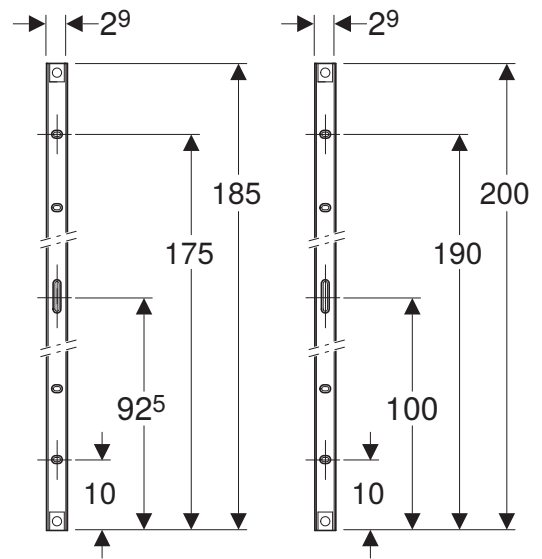
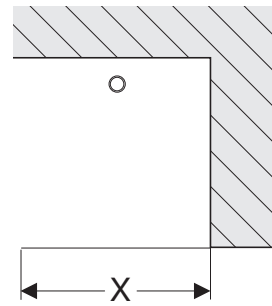
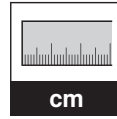
| | |
|-----------------|---------|
| X1 | |
| 63 ³ | ± 1 |
| 73 ³ | ± 1 |

| | |
|----|---------|
| Z | |
| 80 | ± 1 |
| 90 | ± 1 |

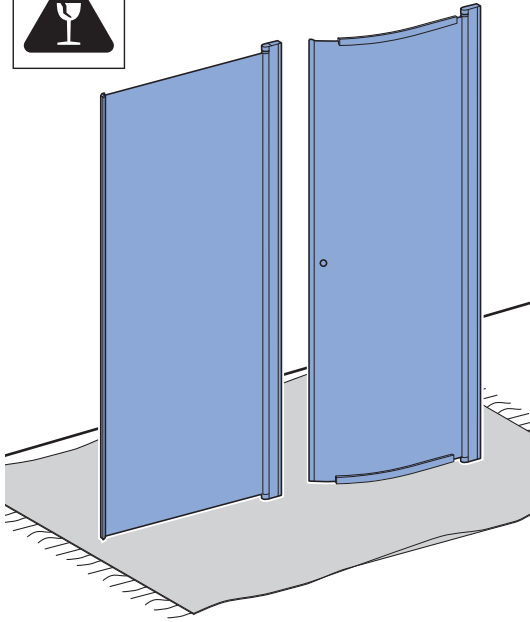
| | |
|----|---------|
| Z | |
| 80 | ± 1 |
| 90 | ± 1 |



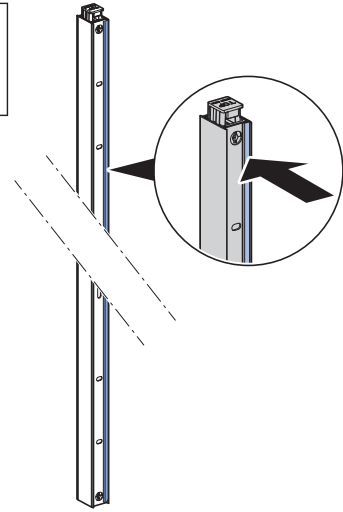
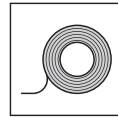
✓



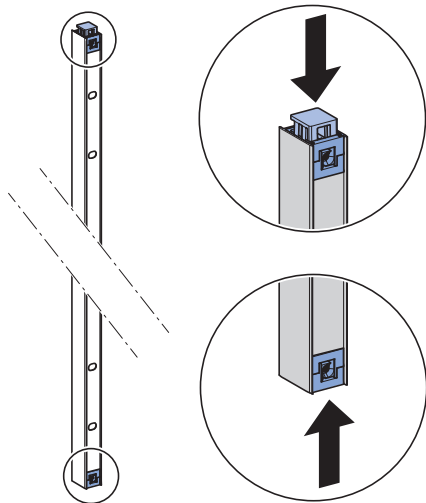
i



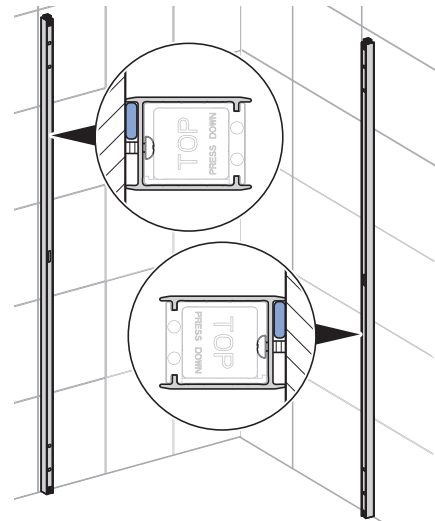
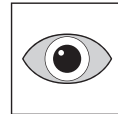
2



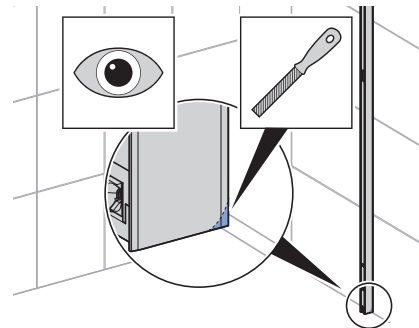
1



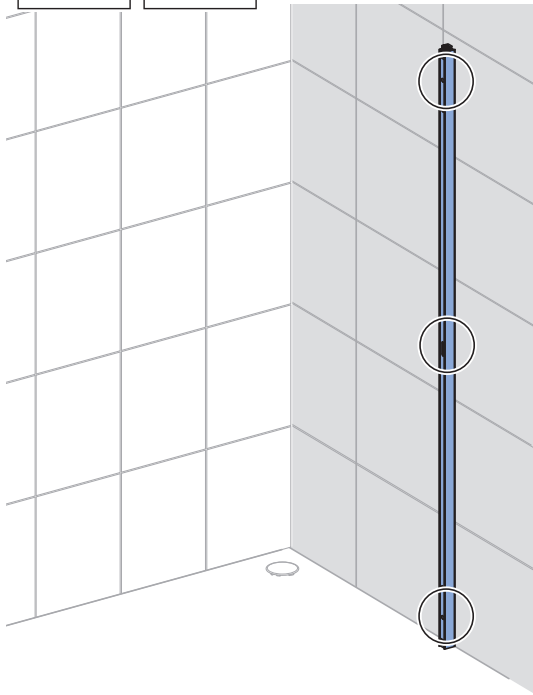
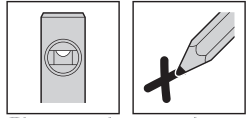
i



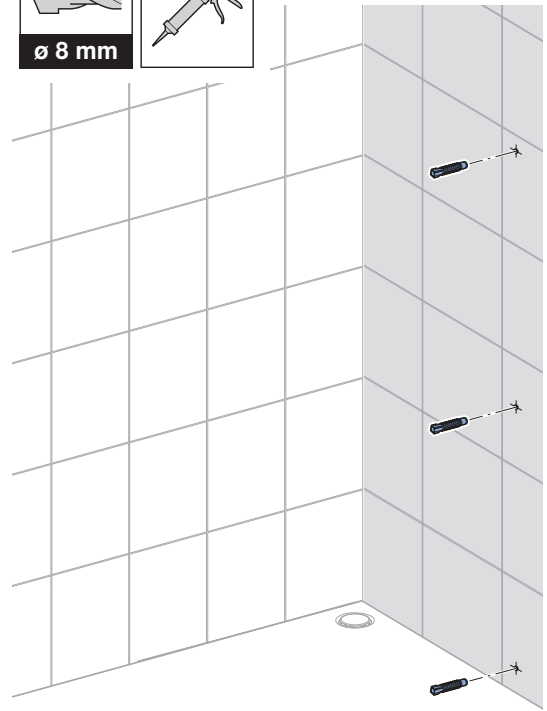
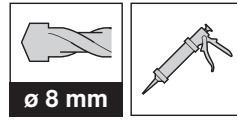
i



3



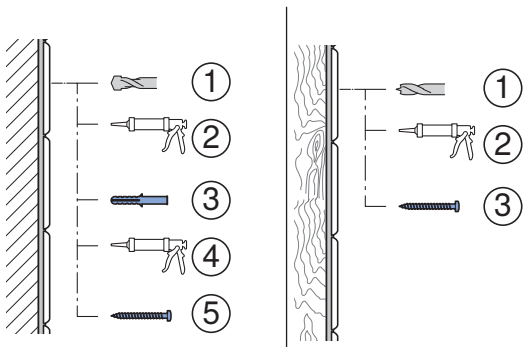
4



i

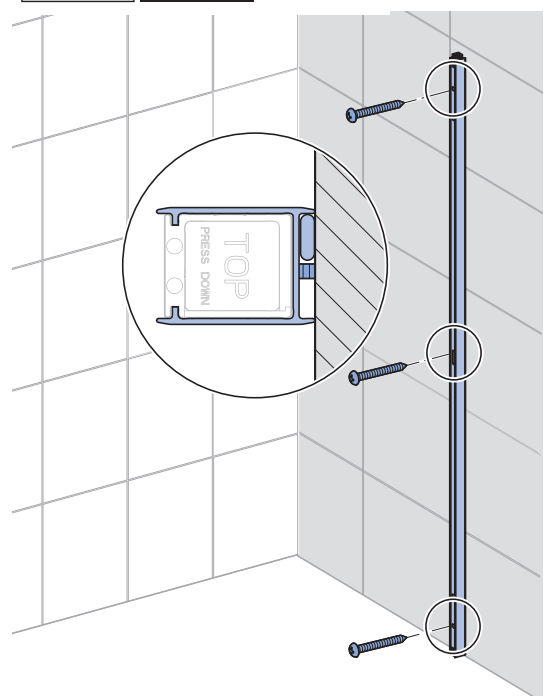
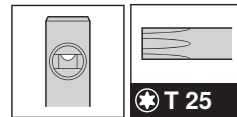


EN 15651-3: Class XS1

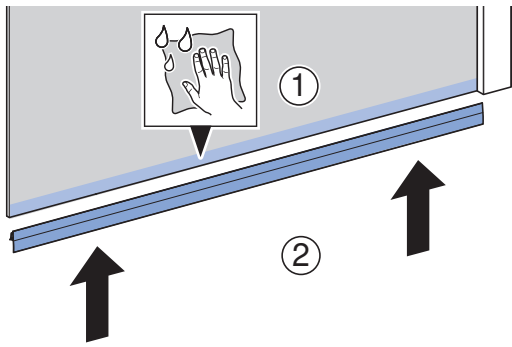
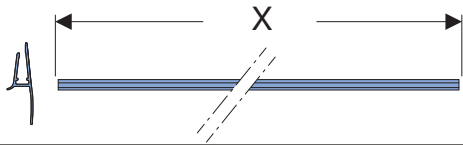
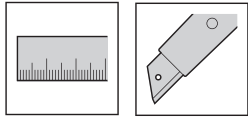
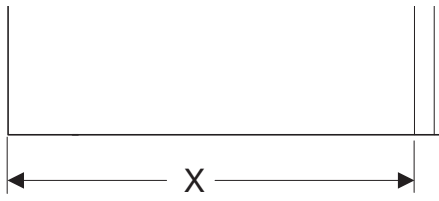


5

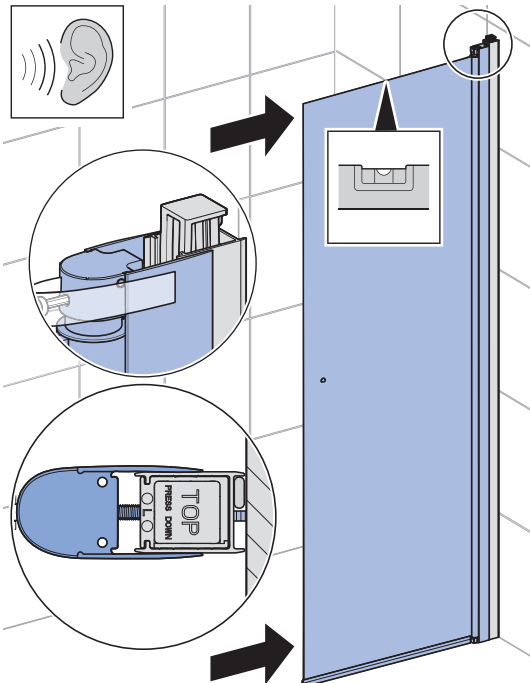
3 x  4.8 x 50 mm



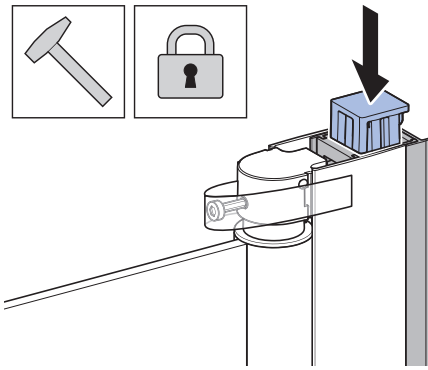
6



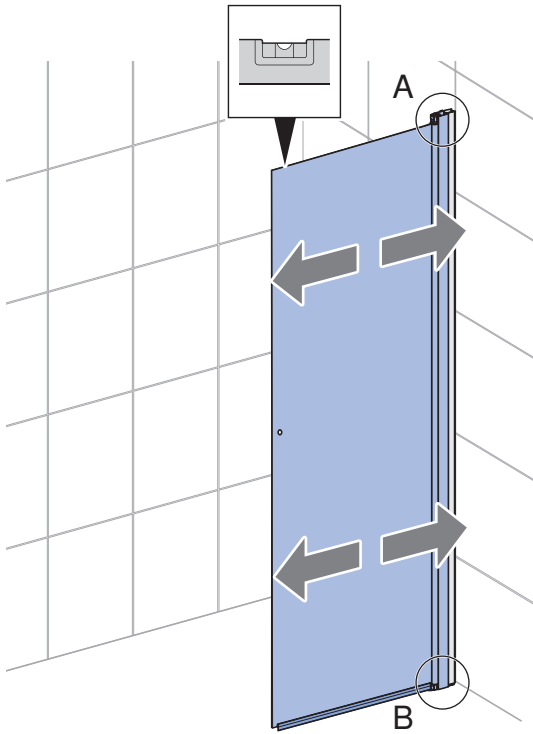
7



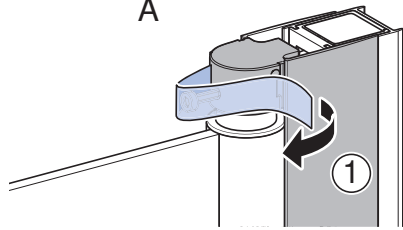
8



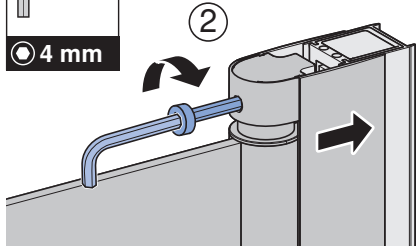
9



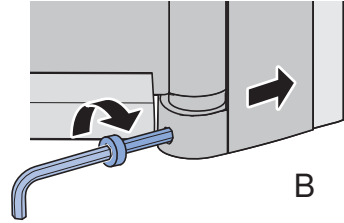
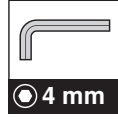
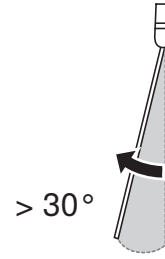
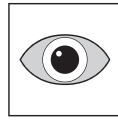
A



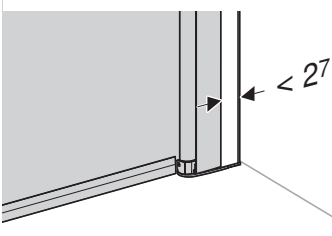
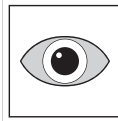
2



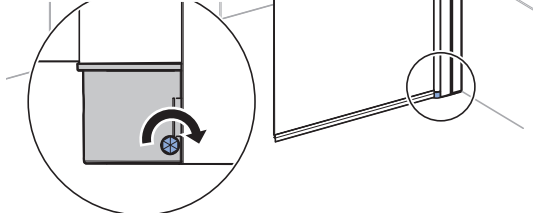
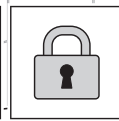
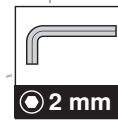
10



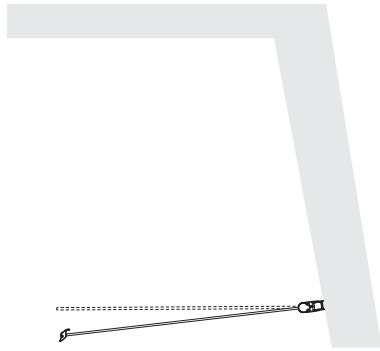
i



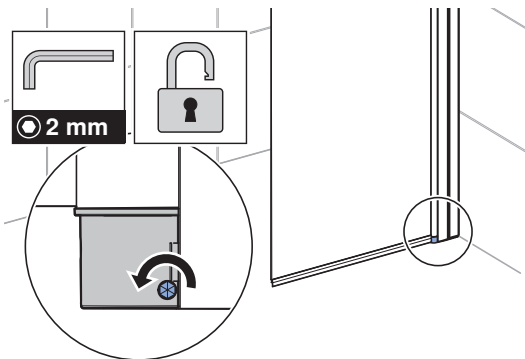
11



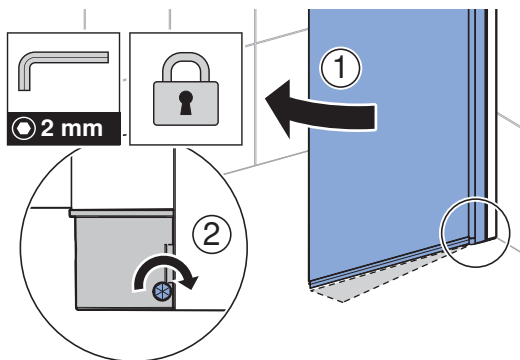
i



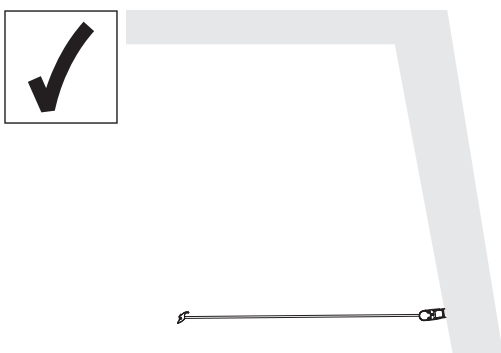
12



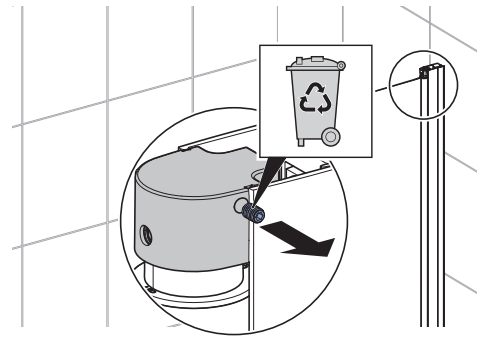
13



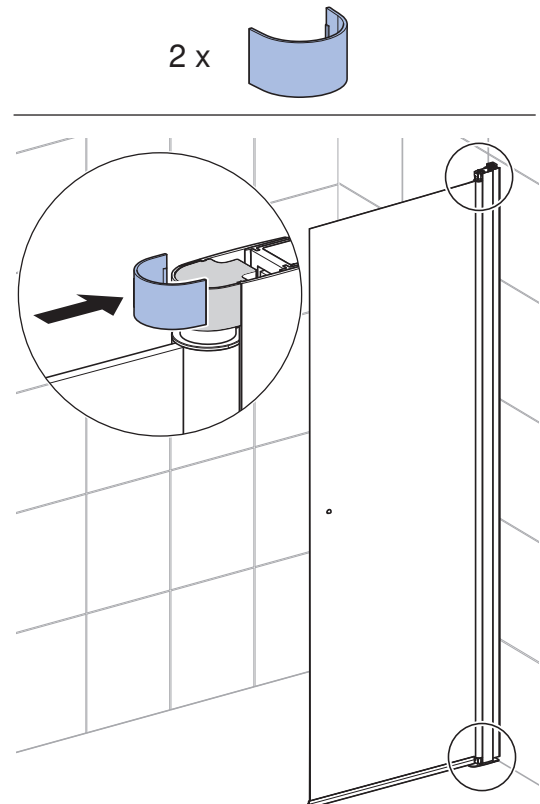
14



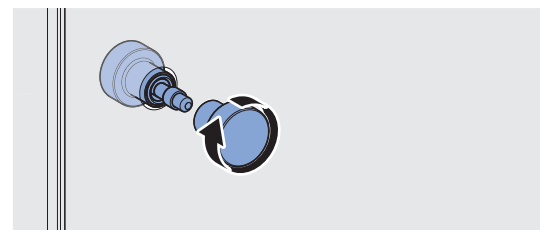
15



16

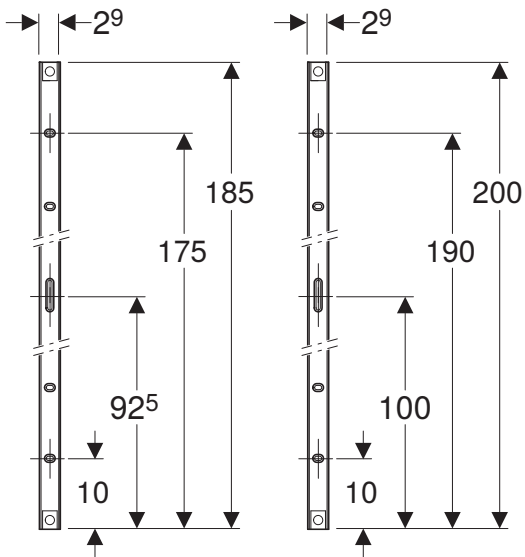
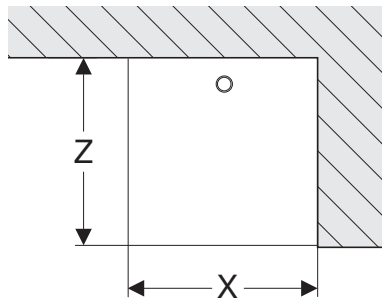
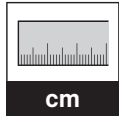


17

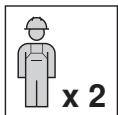


B

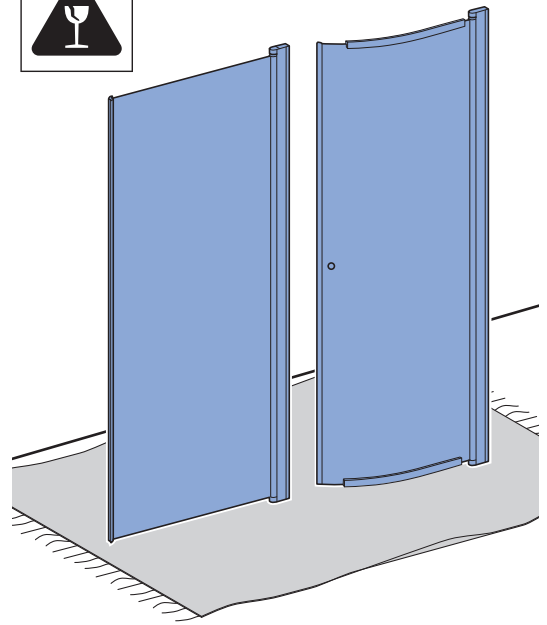
✓



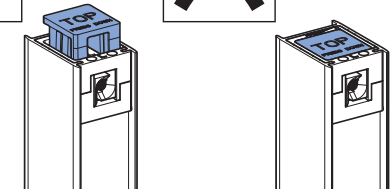
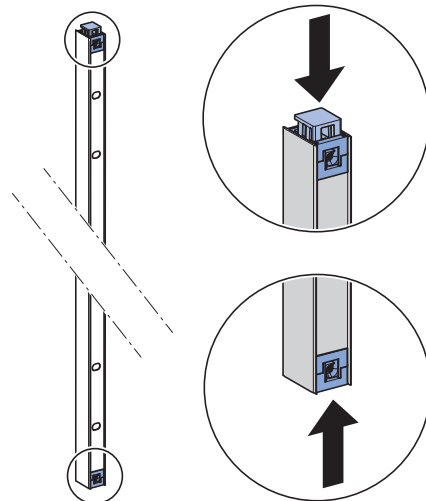
i



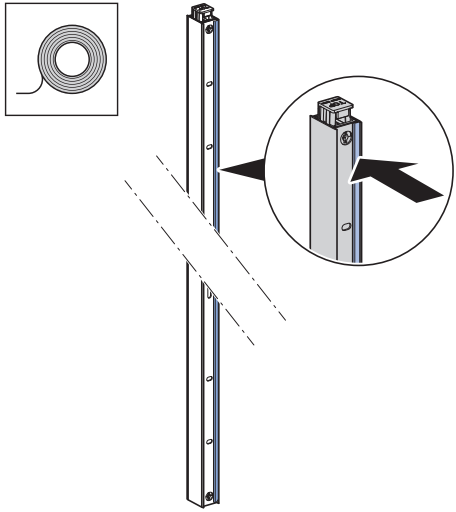
i



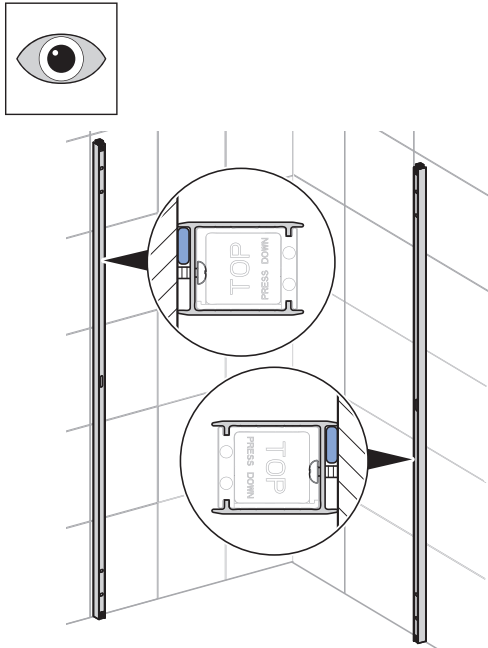
1



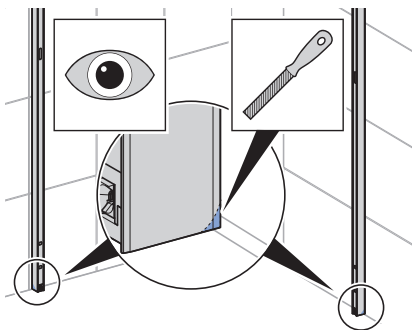
2



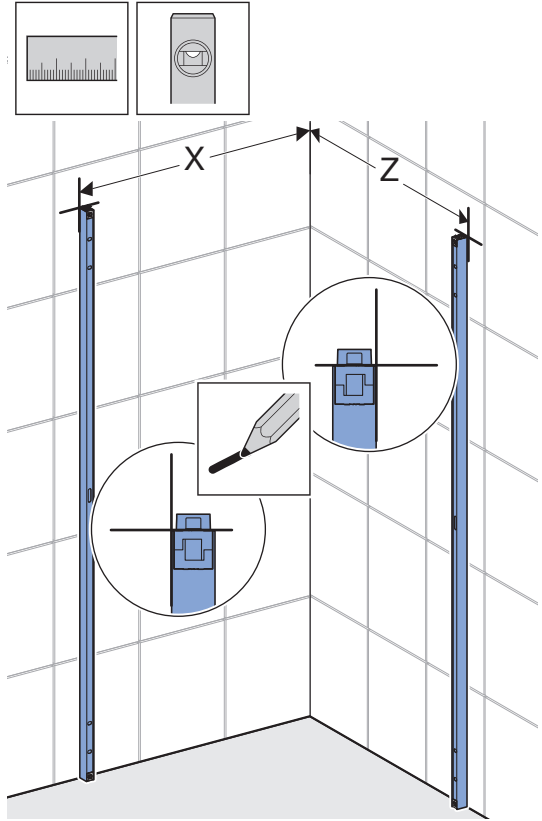
i



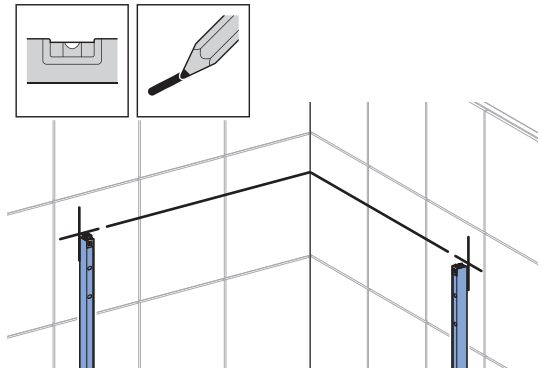
i



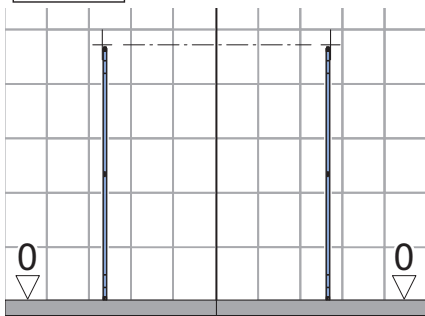
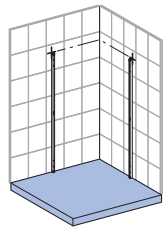
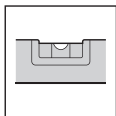
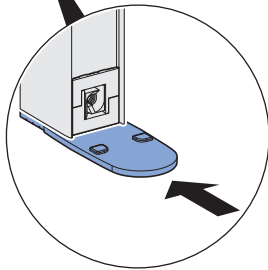
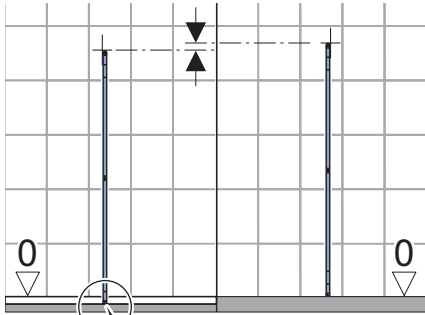
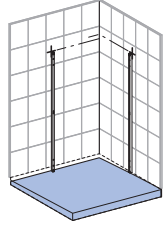
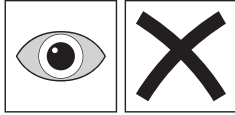
3



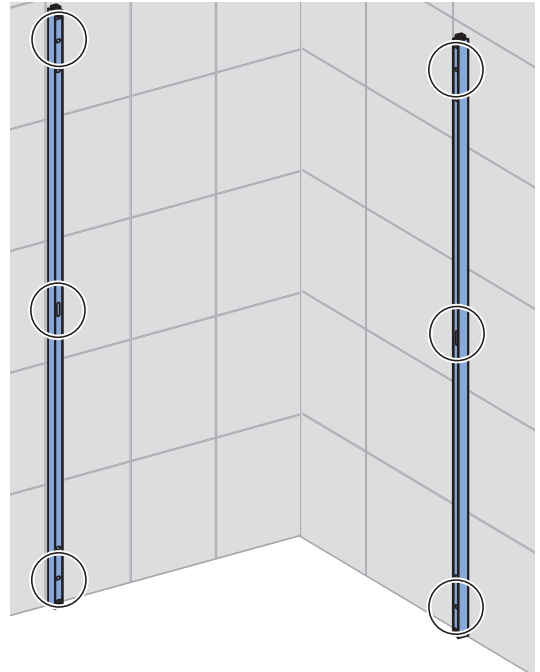
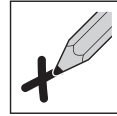
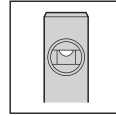
4



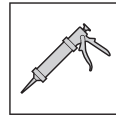
i



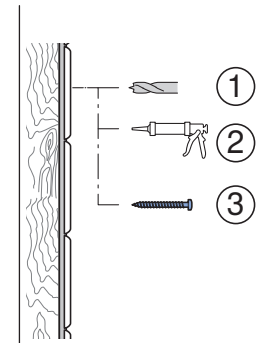
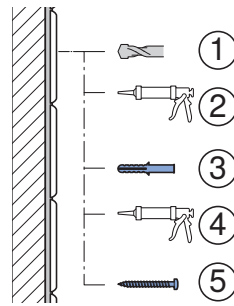
5



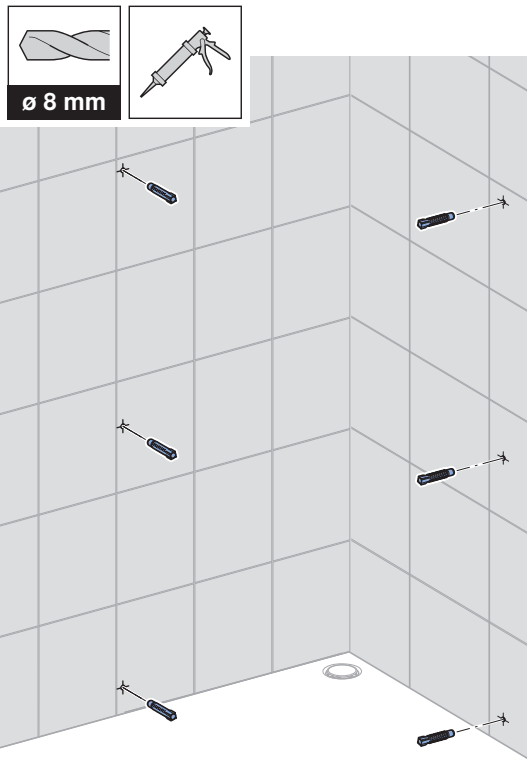
i



EN 15651-3: Class XS1

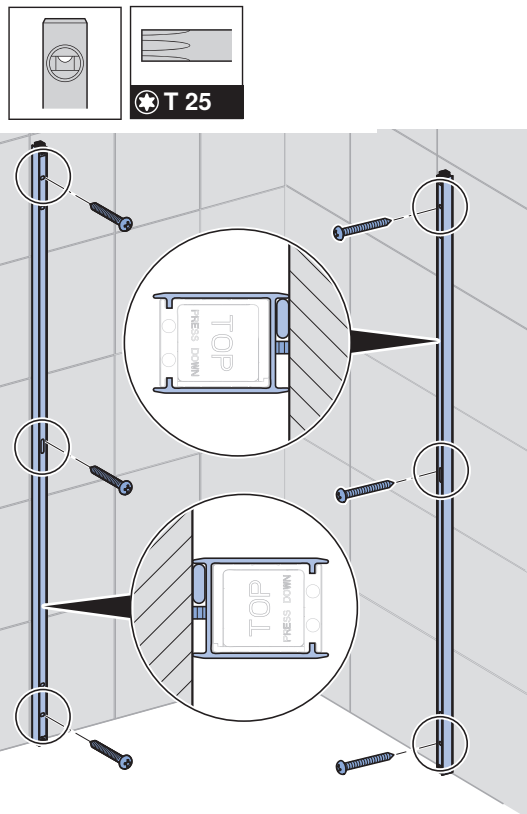


6

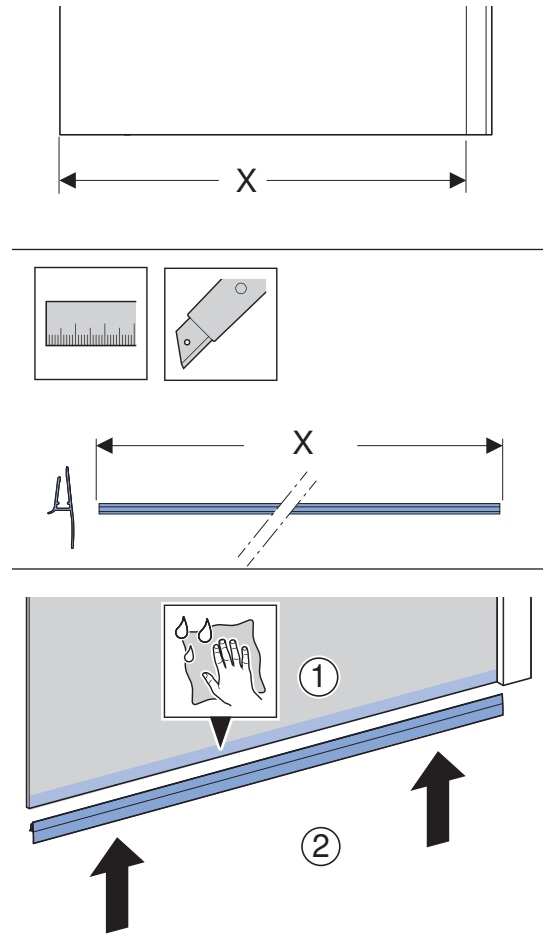


7

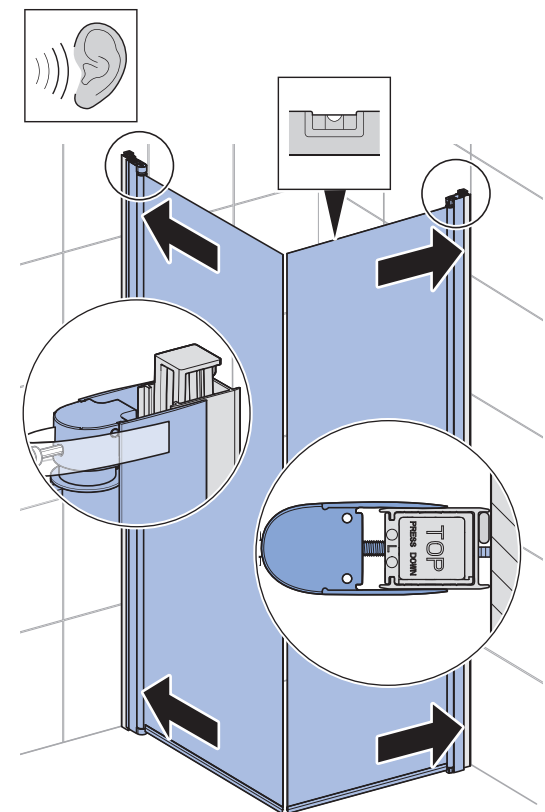
6 x  4.8 x 50 mm



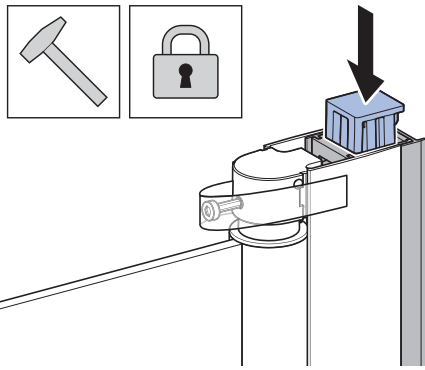
8



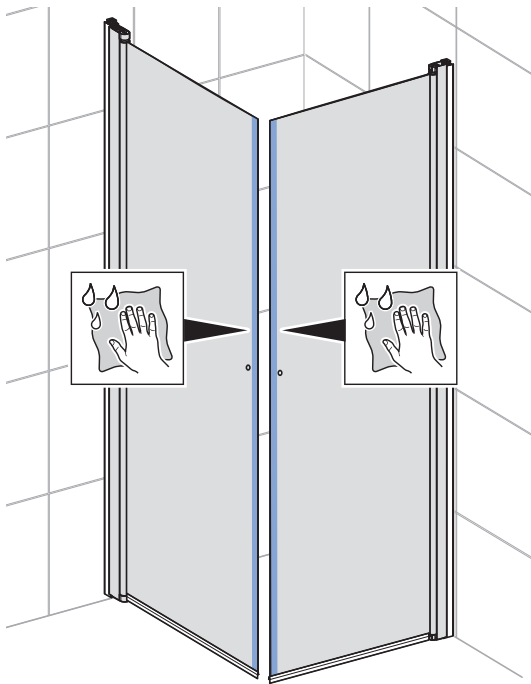
9



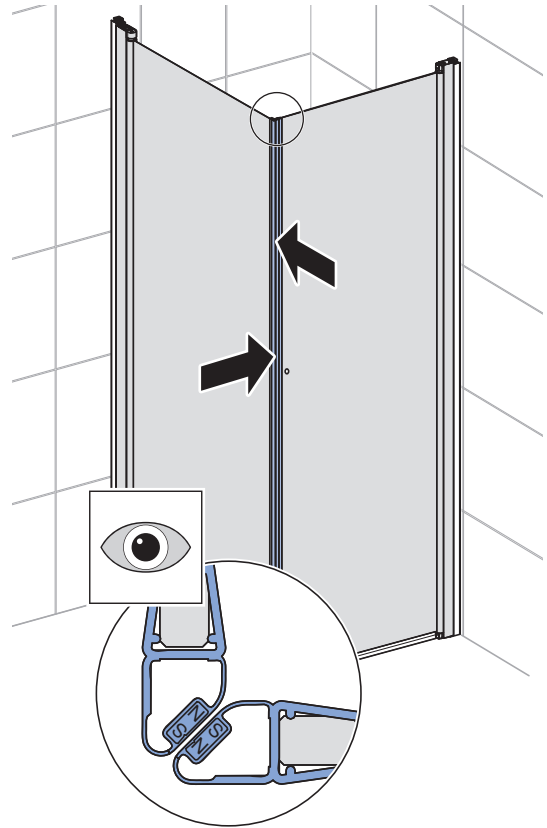
10



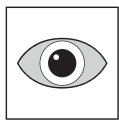
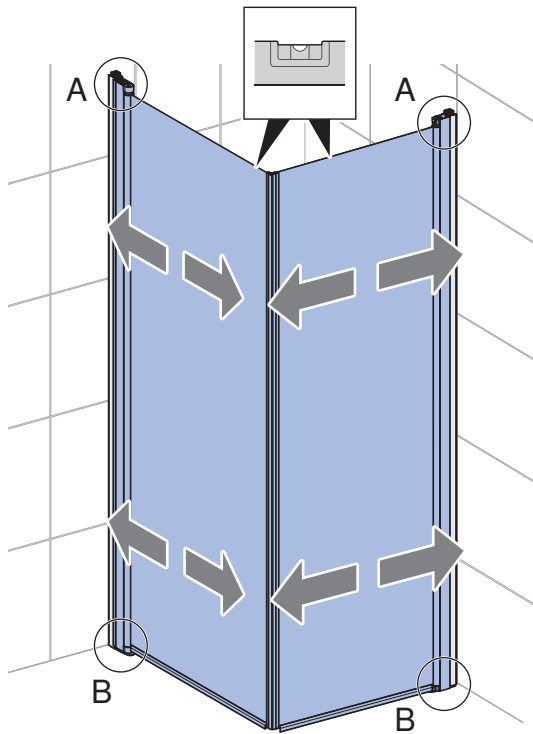
11



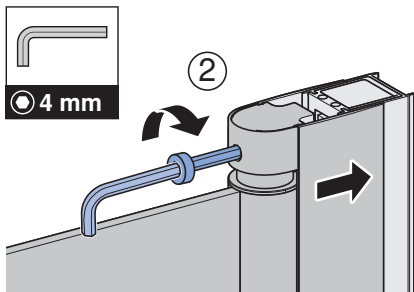
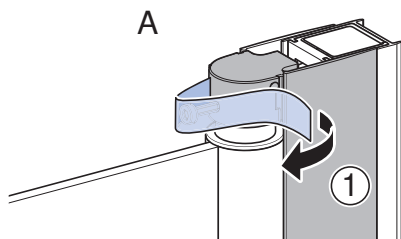
12



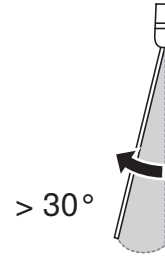
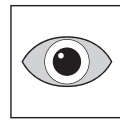
13



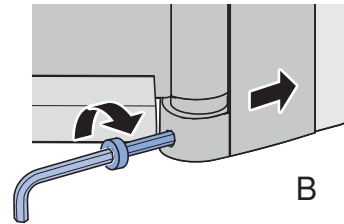
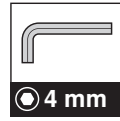
0°



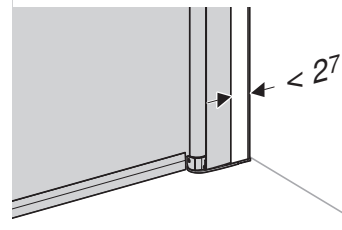
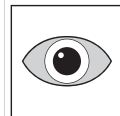
14



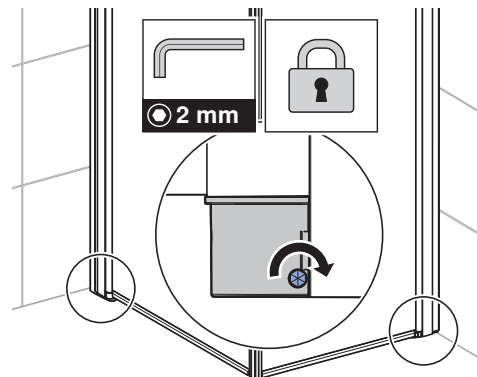
> 30°

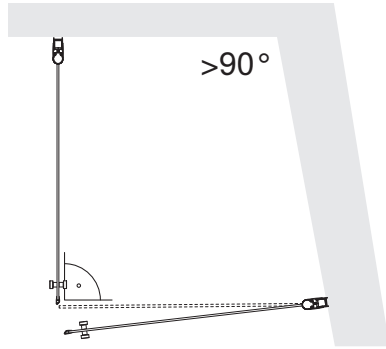


i

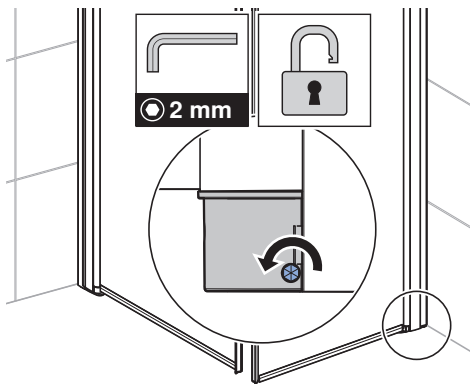


15

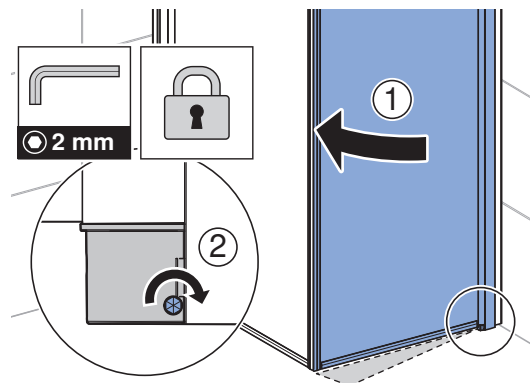




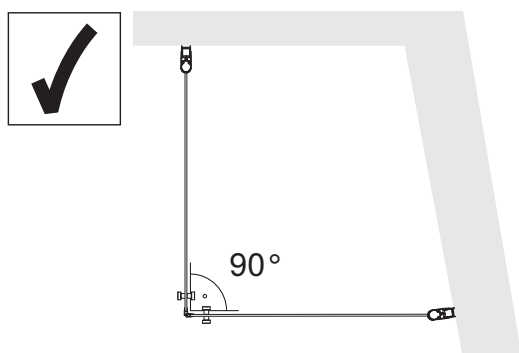
16



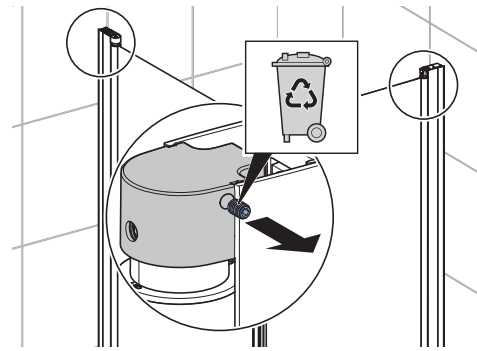
17



18

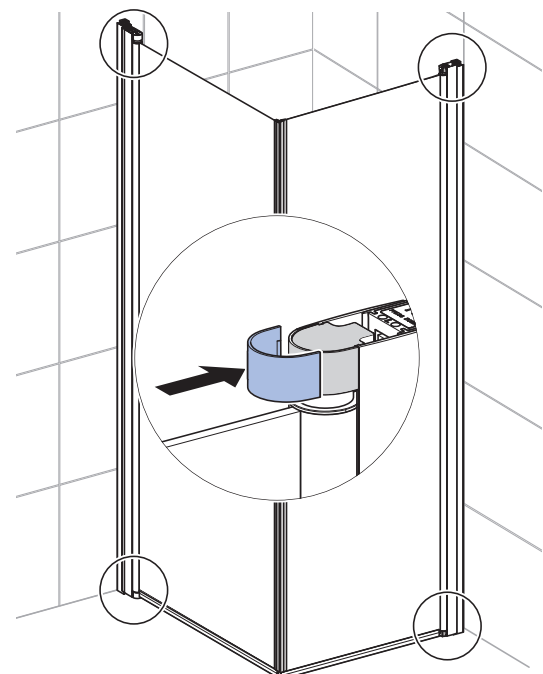
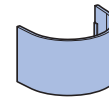


19



20

4 x



21

