

Broil King®

Broil King.

GEM 320
8141-52
8141-53



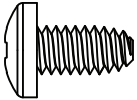

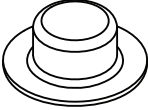
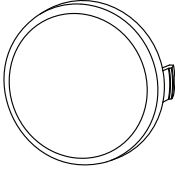
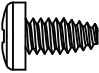
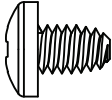
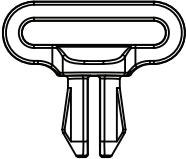
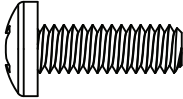
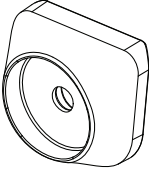
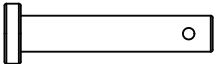


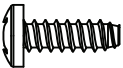
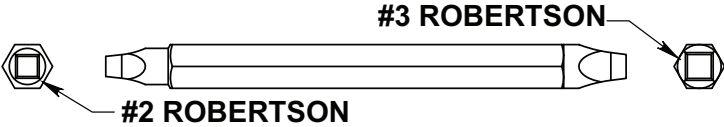
Broil King.

GEM 320
9523-52
9523-53

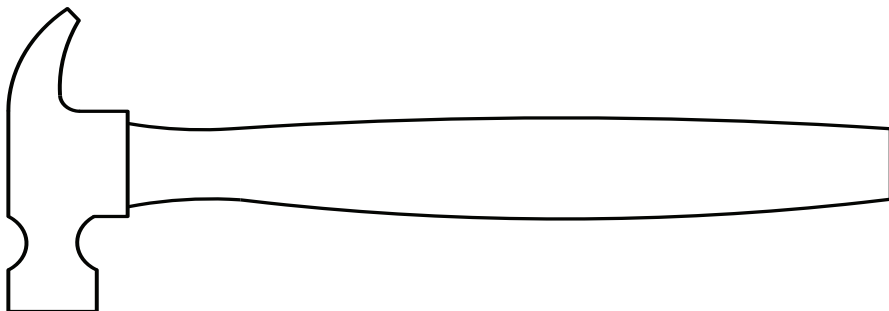


Onward
SINCE 1906
MANUFACTURING COMPANY LIMITED
585 KUMPF DRIVE
WATERLOO, ONTARIO, CANADA
N2V 1K3

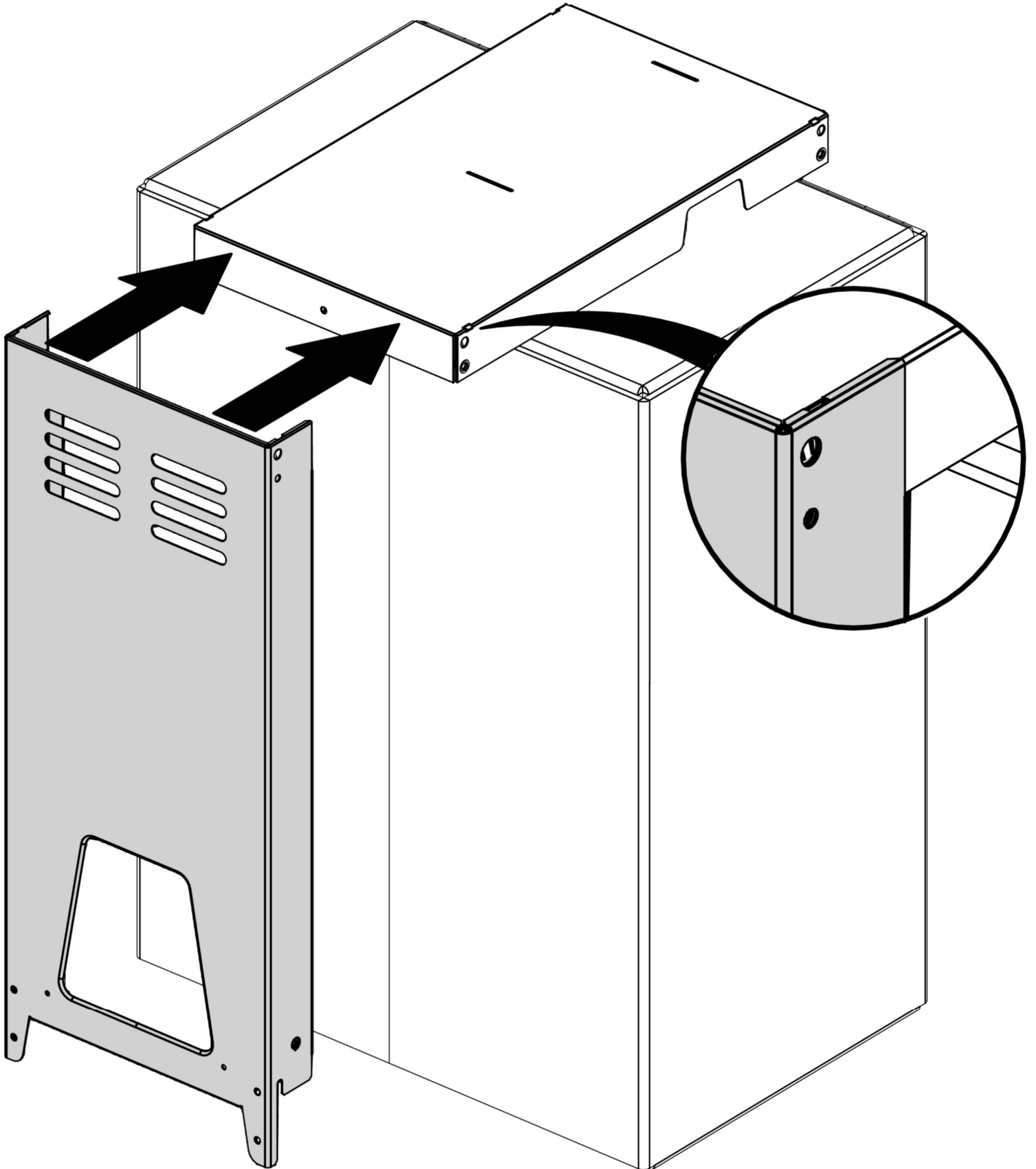
HARDWARE INCLUDED

Y-12865		X4	AAA		X1
S21420		X2	32001-152		X2
Y-29304		X4	Y-12855		X10
Y-12673		X2	Y-12310		X2
34000-336		X2	32300112		X2
S21233		X2	Y-29307		X2
S21124		X4	 <p style="text-align: right;">#3 ROBERTSON</p> <p style="text-align: center;">#2 ROBERTSON</p>		

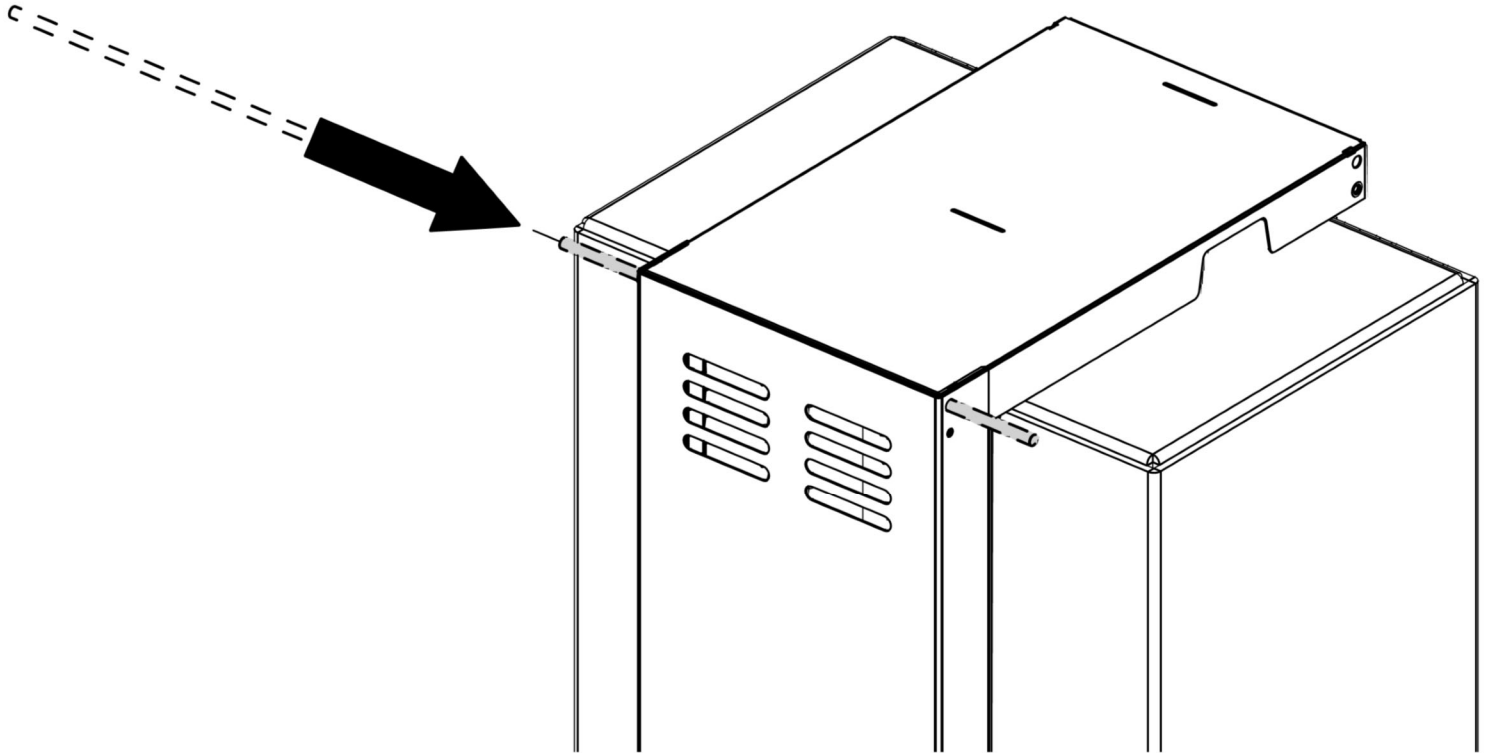
TOOLS REQUIRED



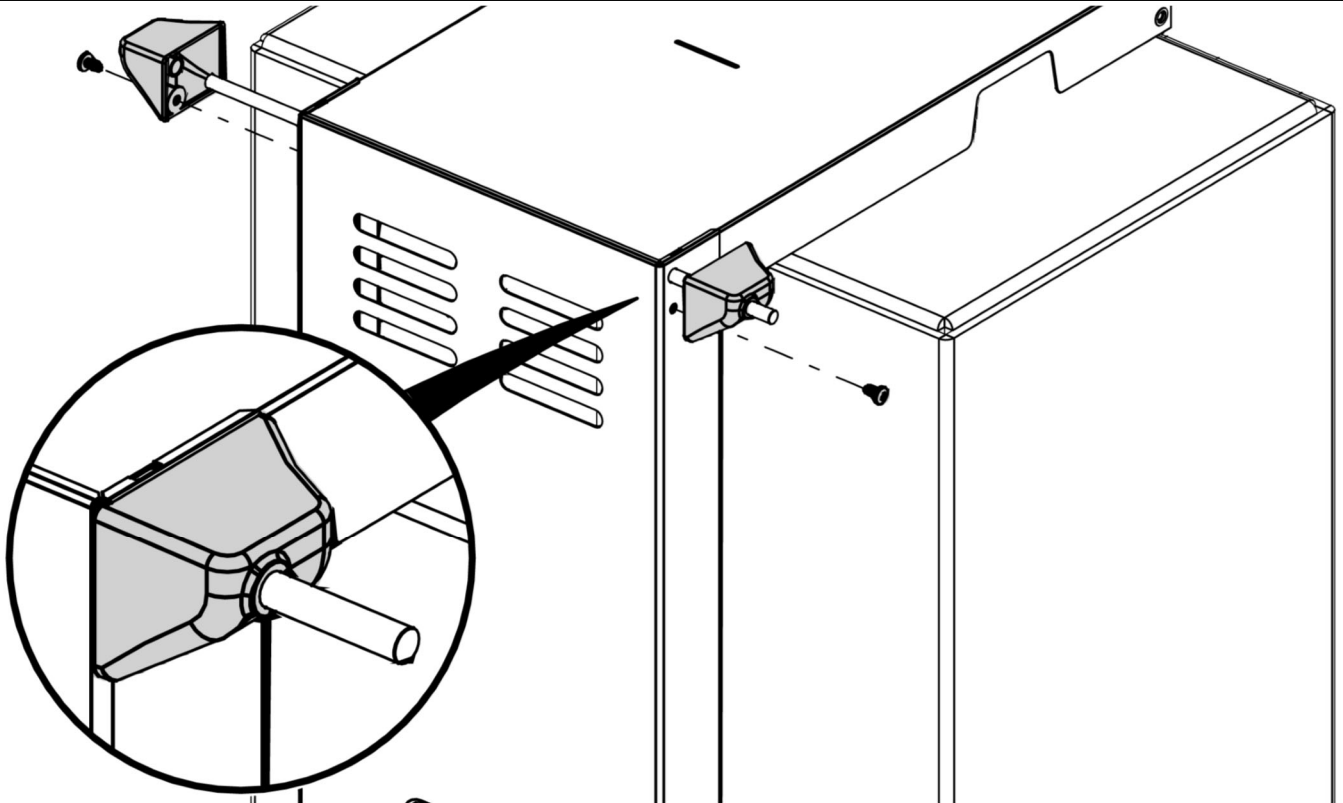
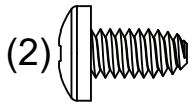
1



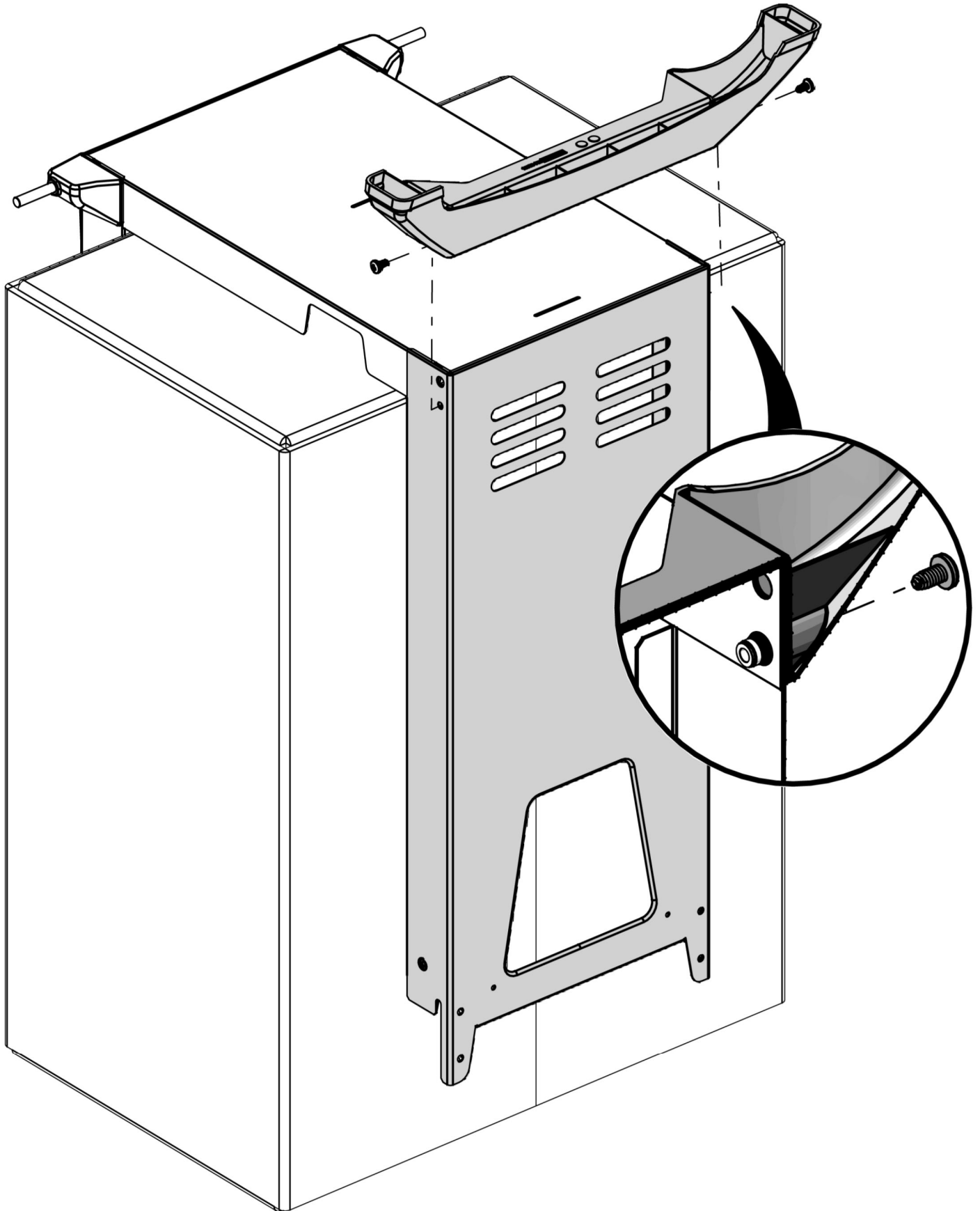
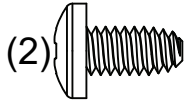
2



3

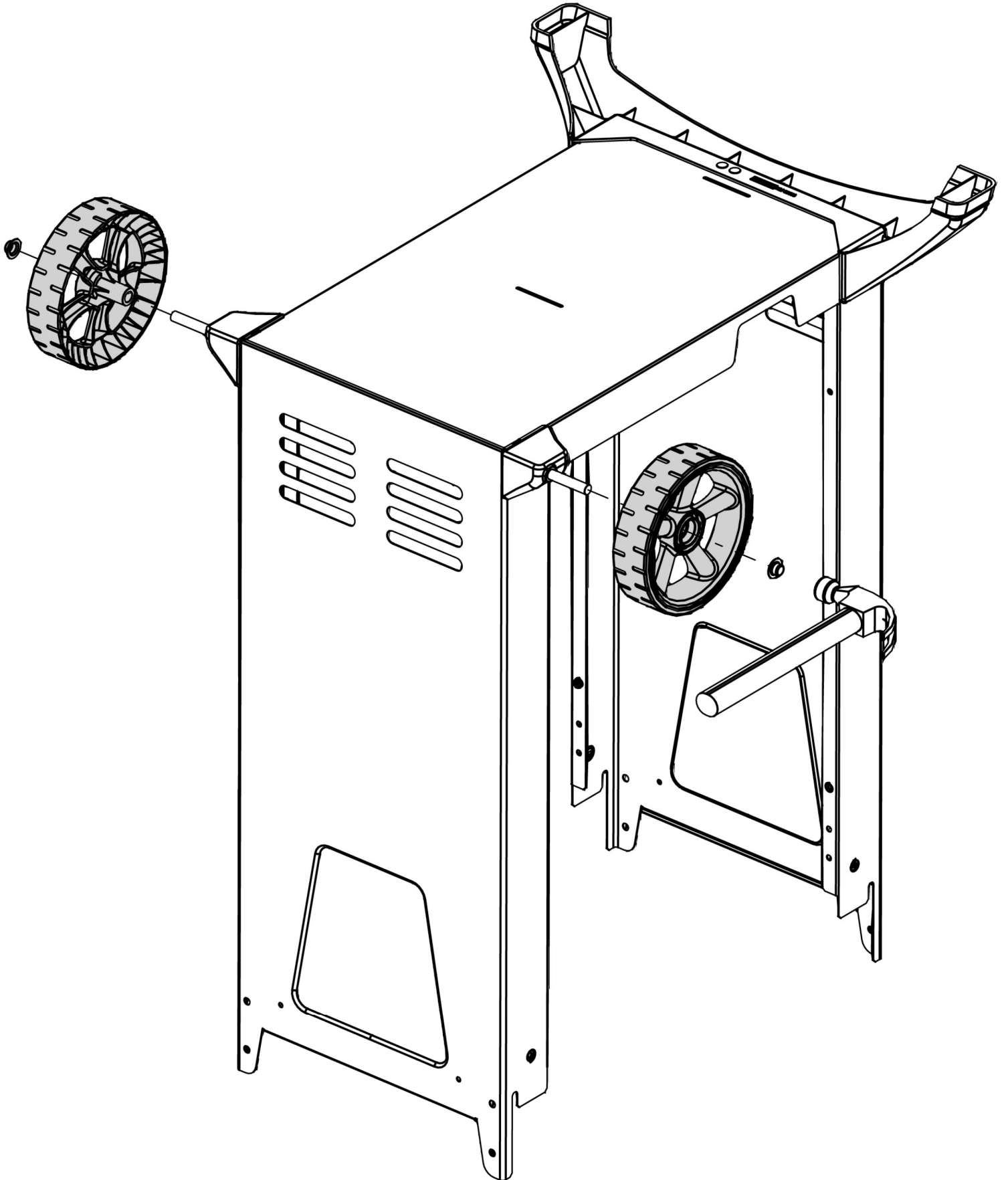
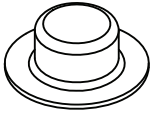


4



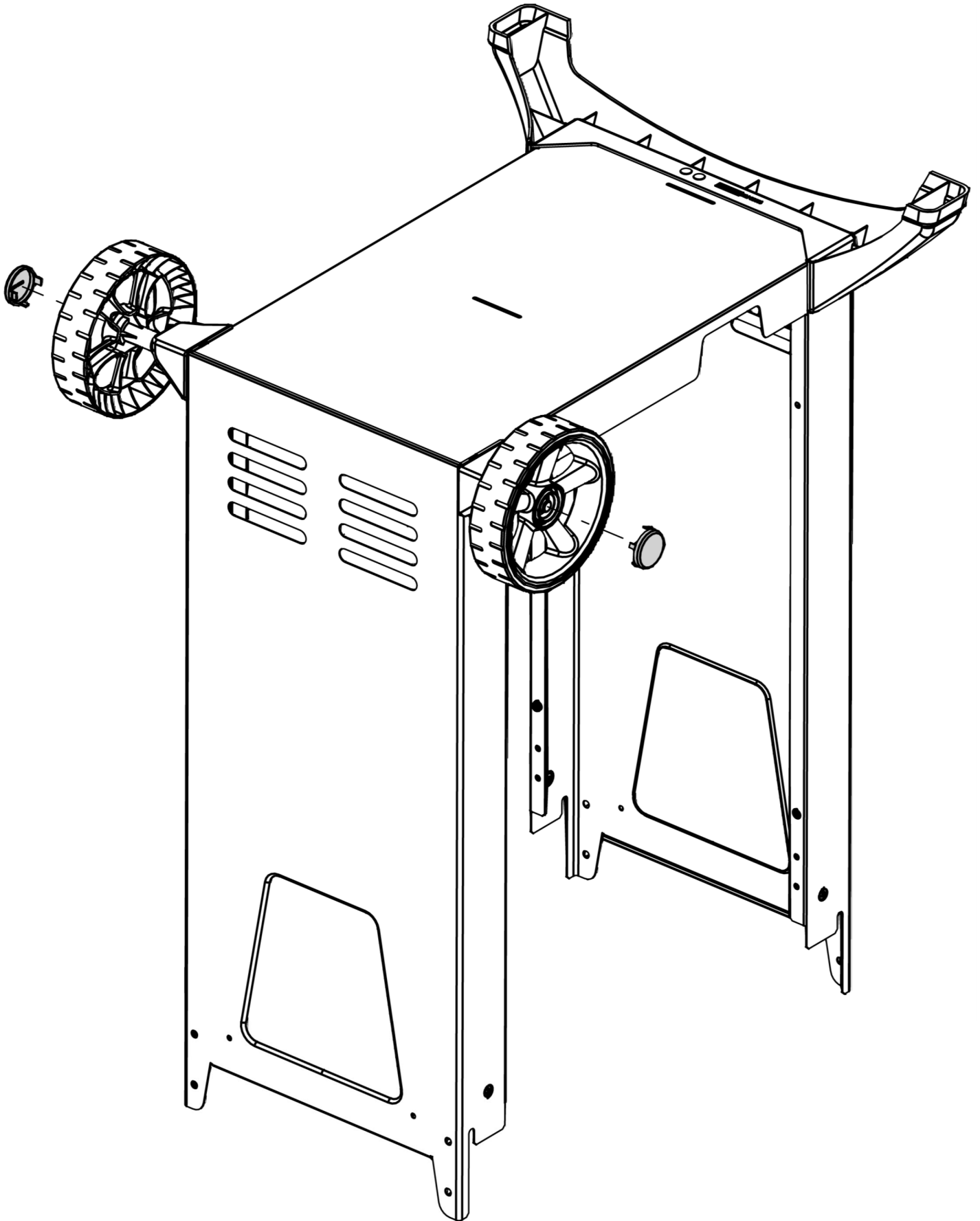
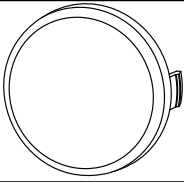
5

(2)

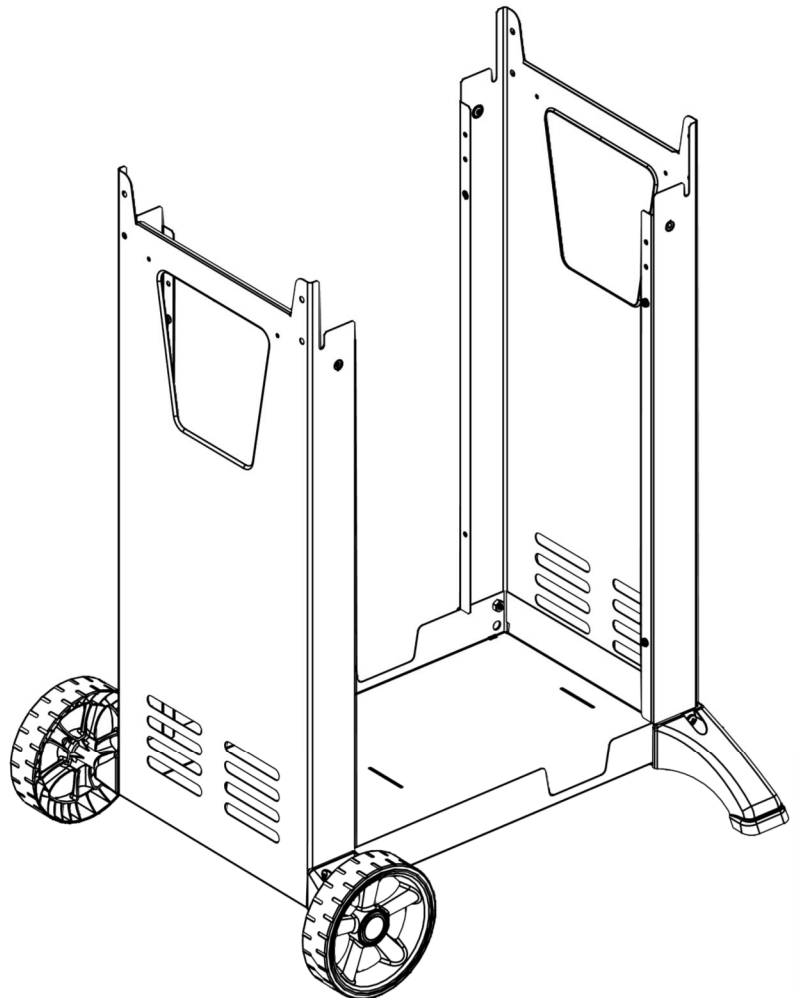
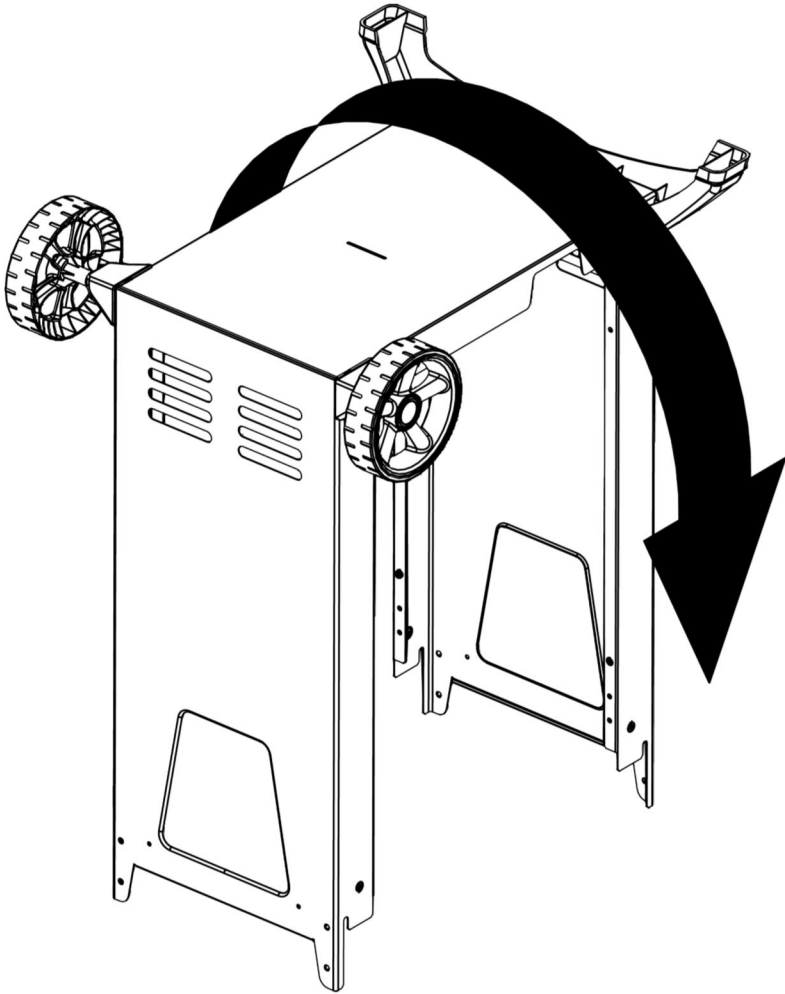


6

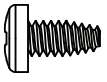
(2)

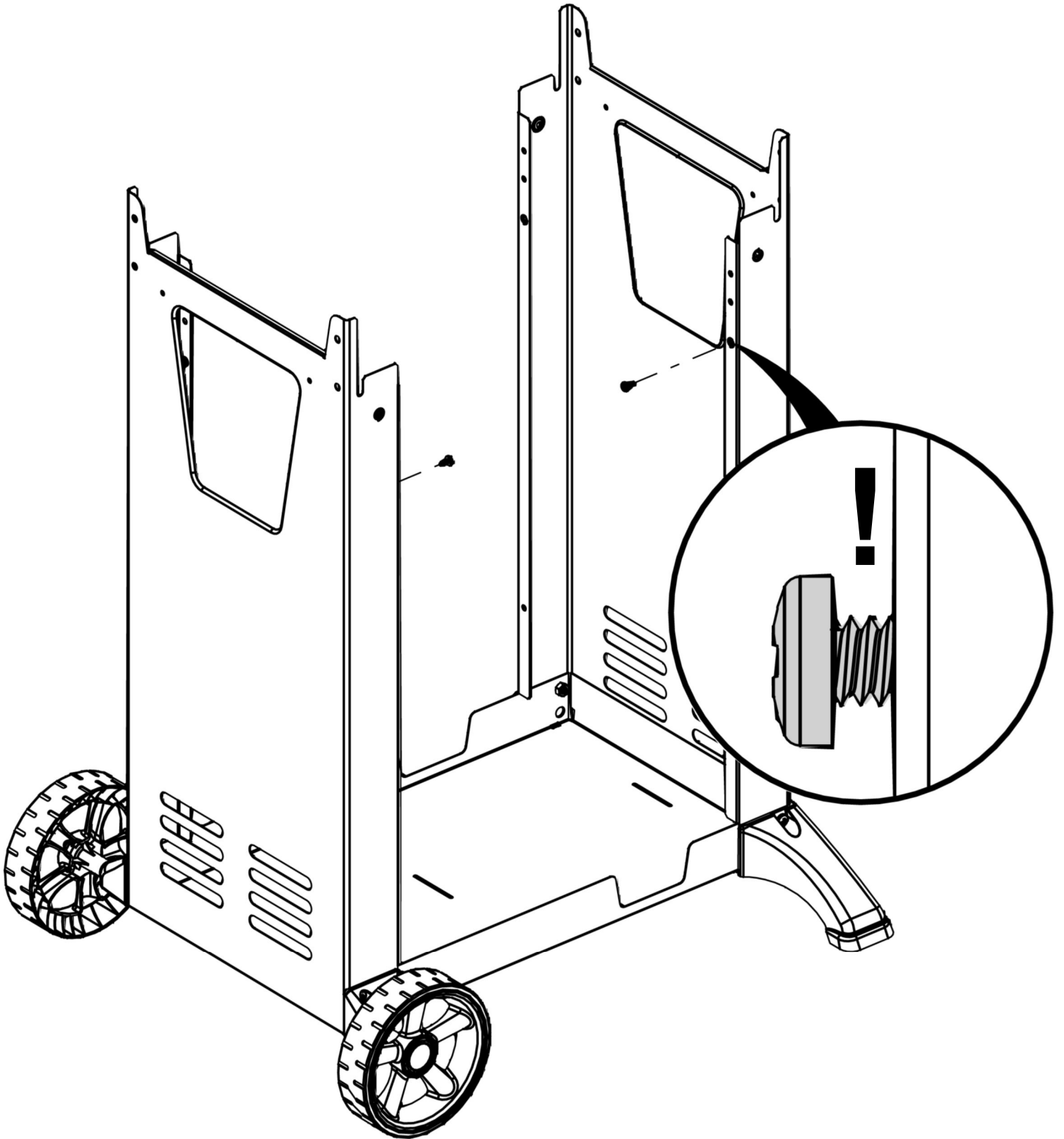


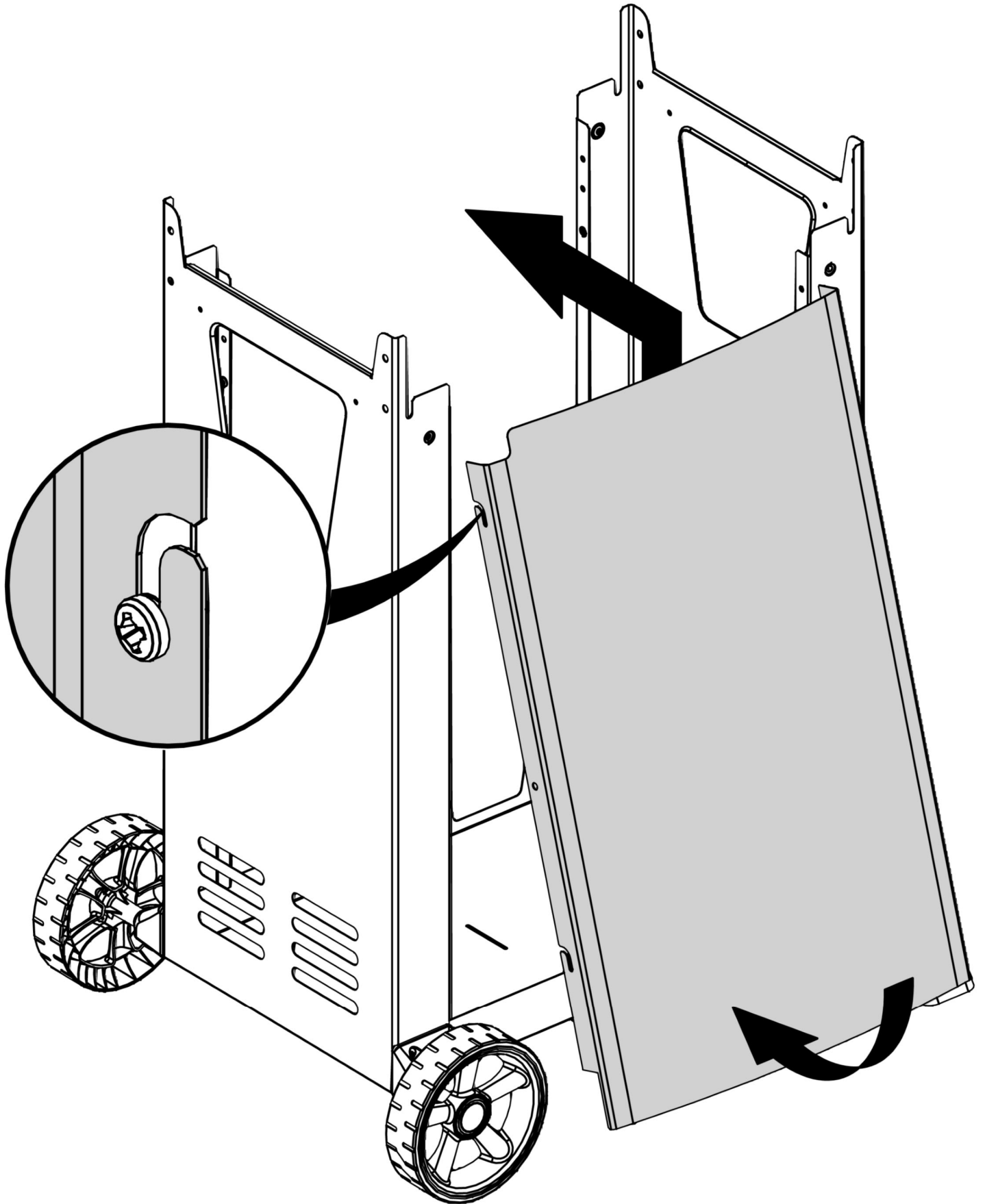
7



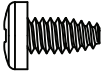
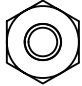
8

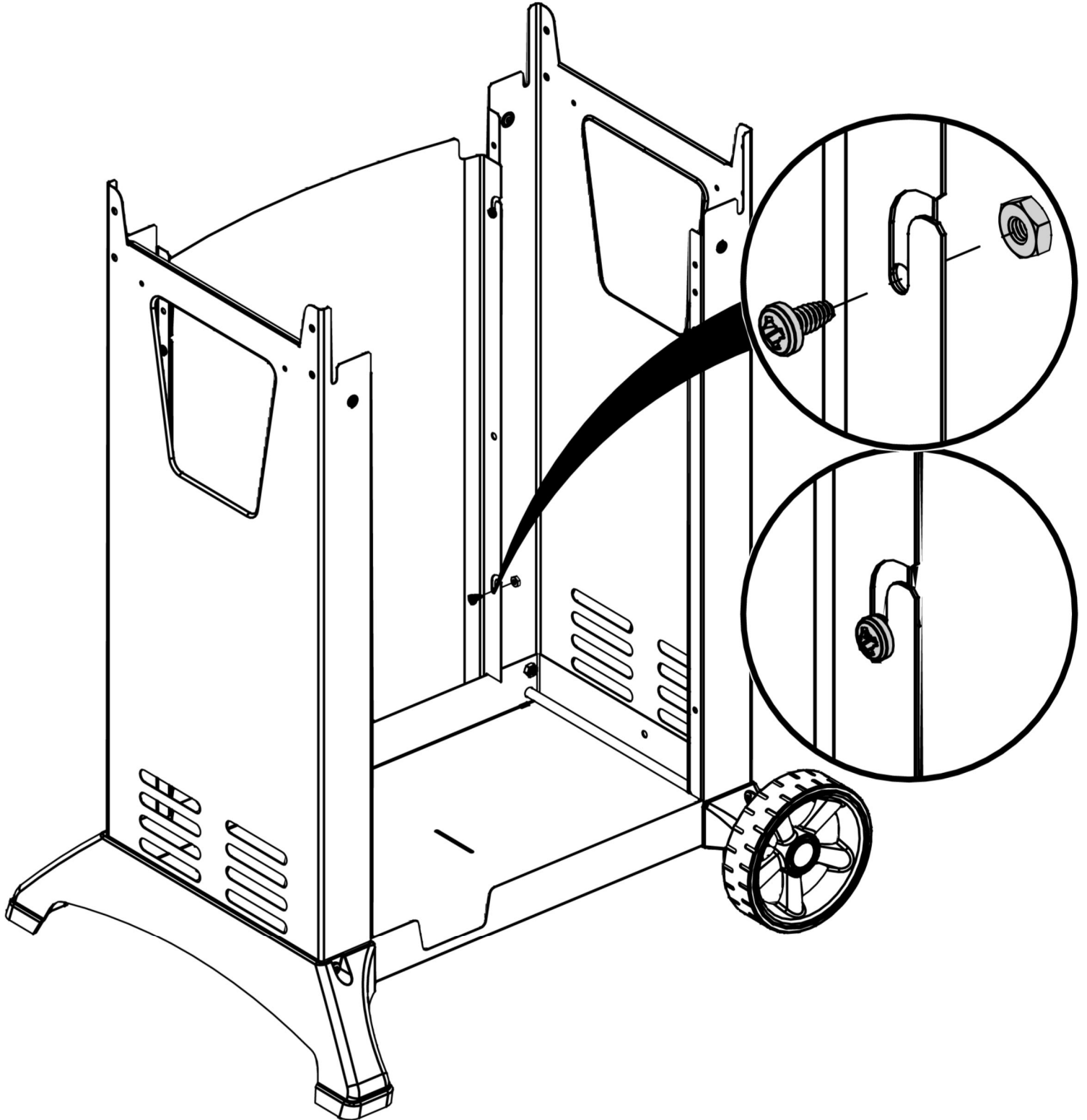
(2) 



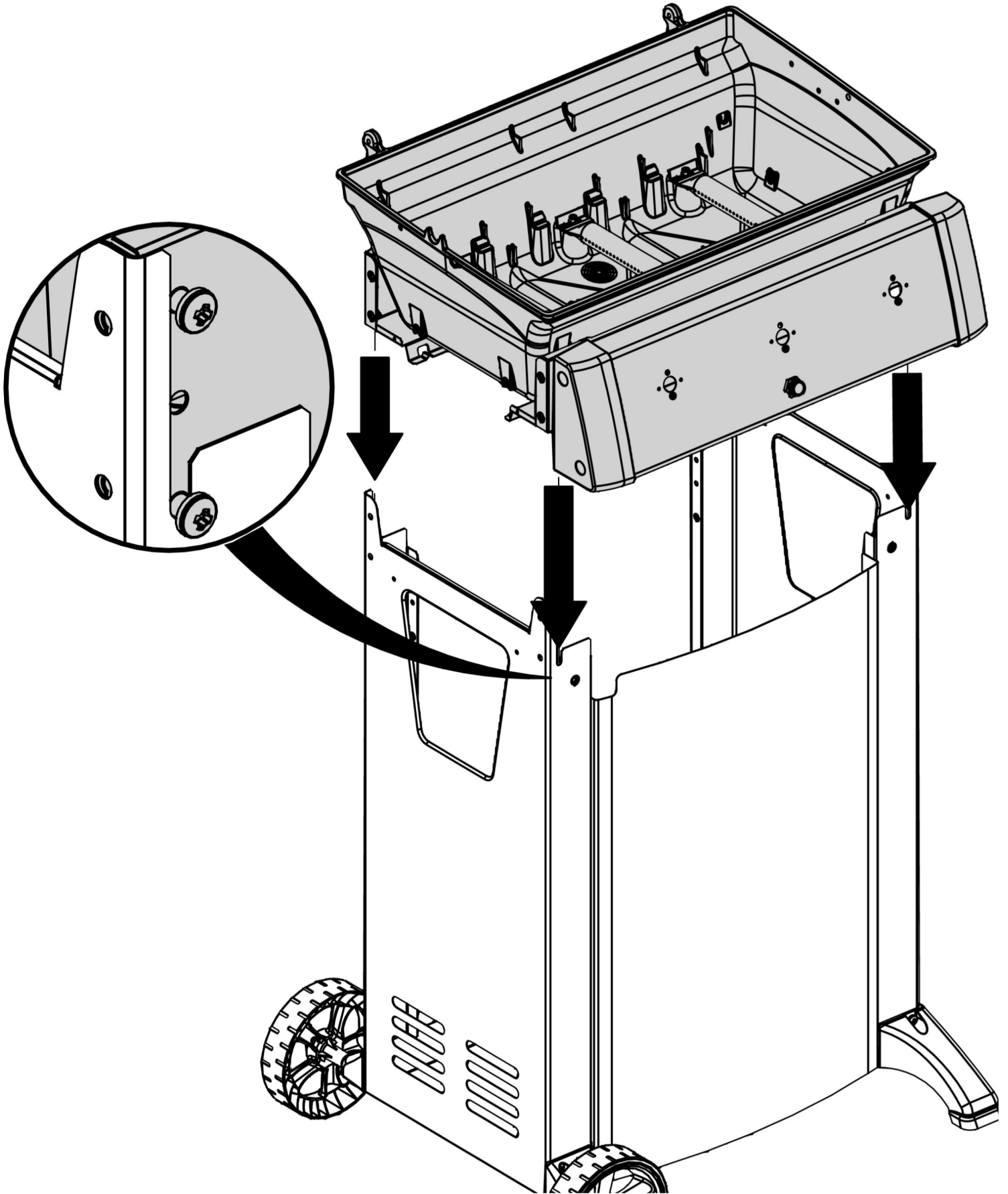


10

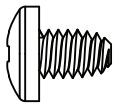

(2)  (2) 

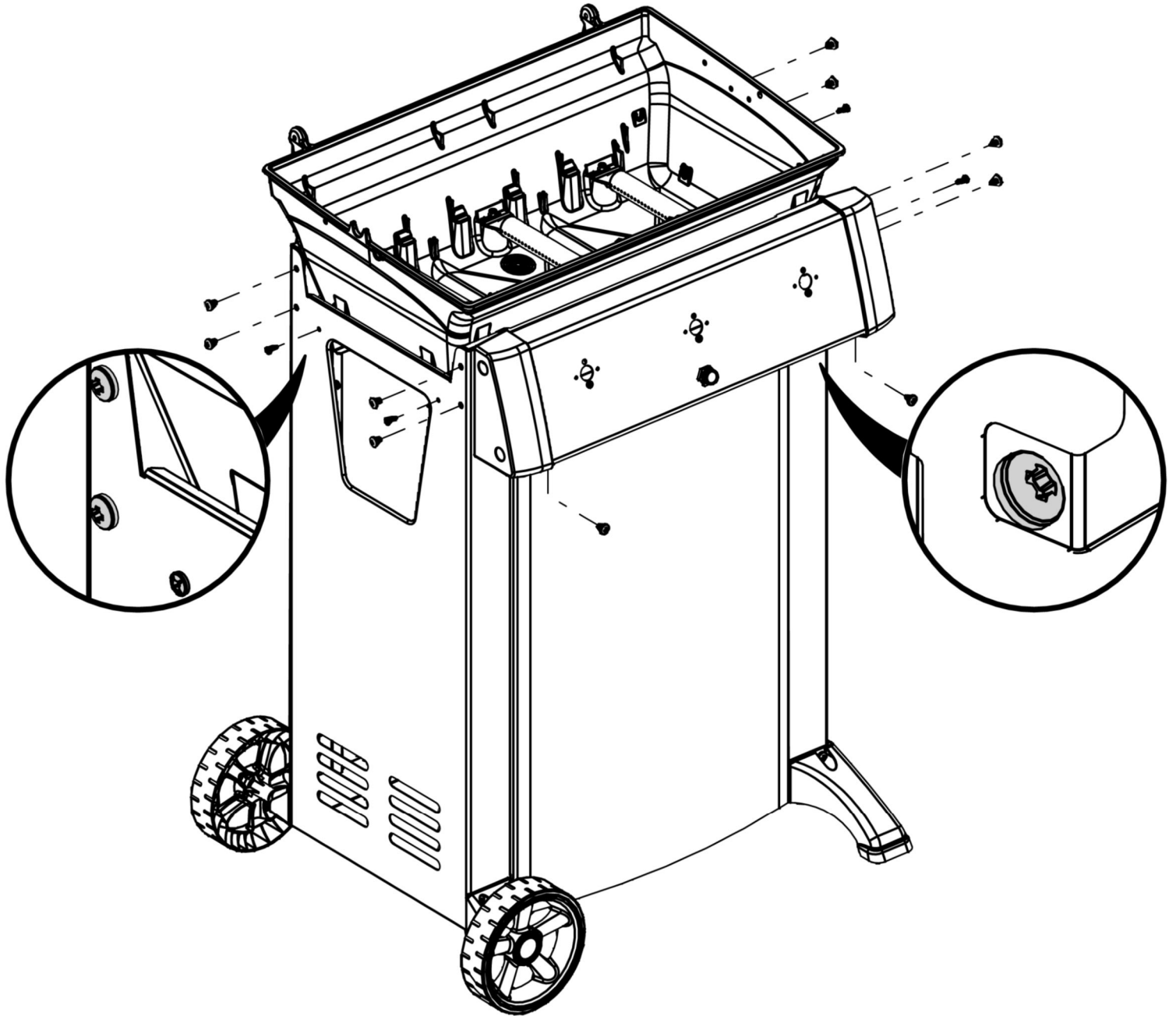


11

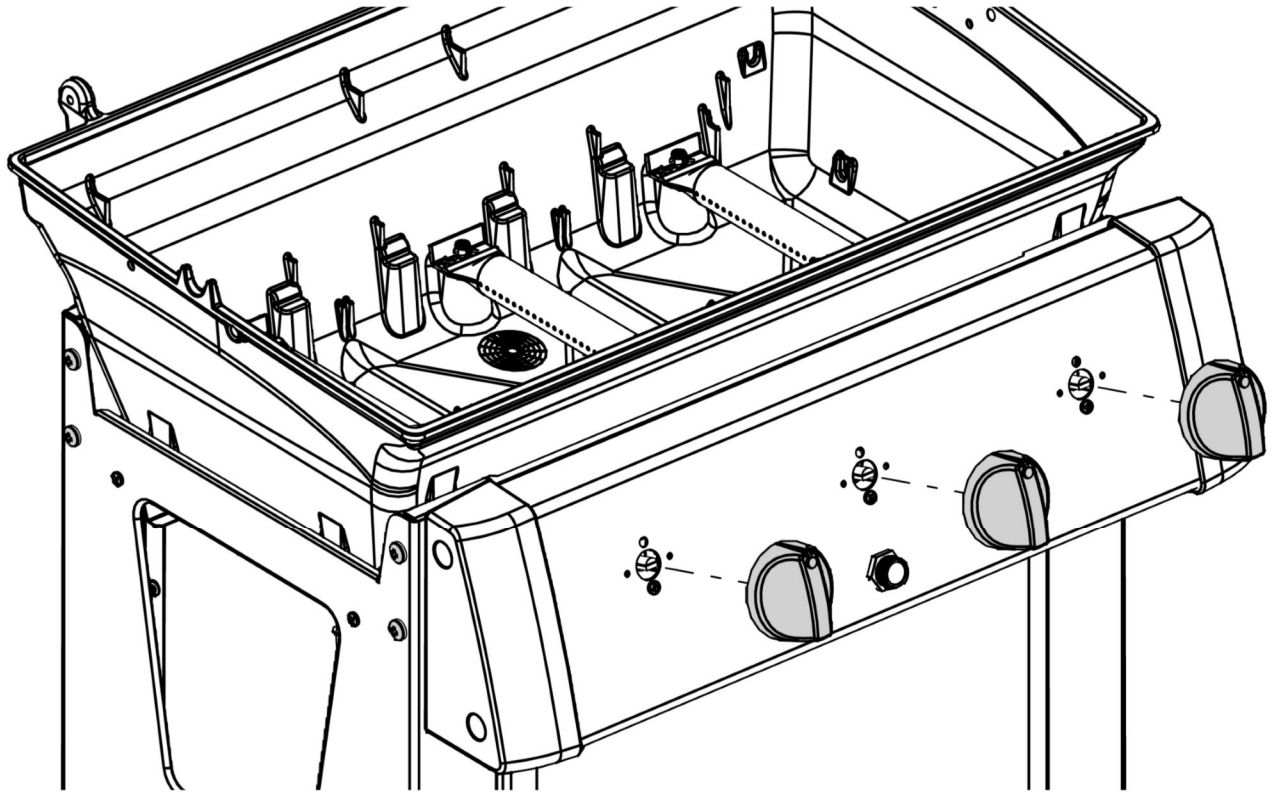


12

(10)  (4) 

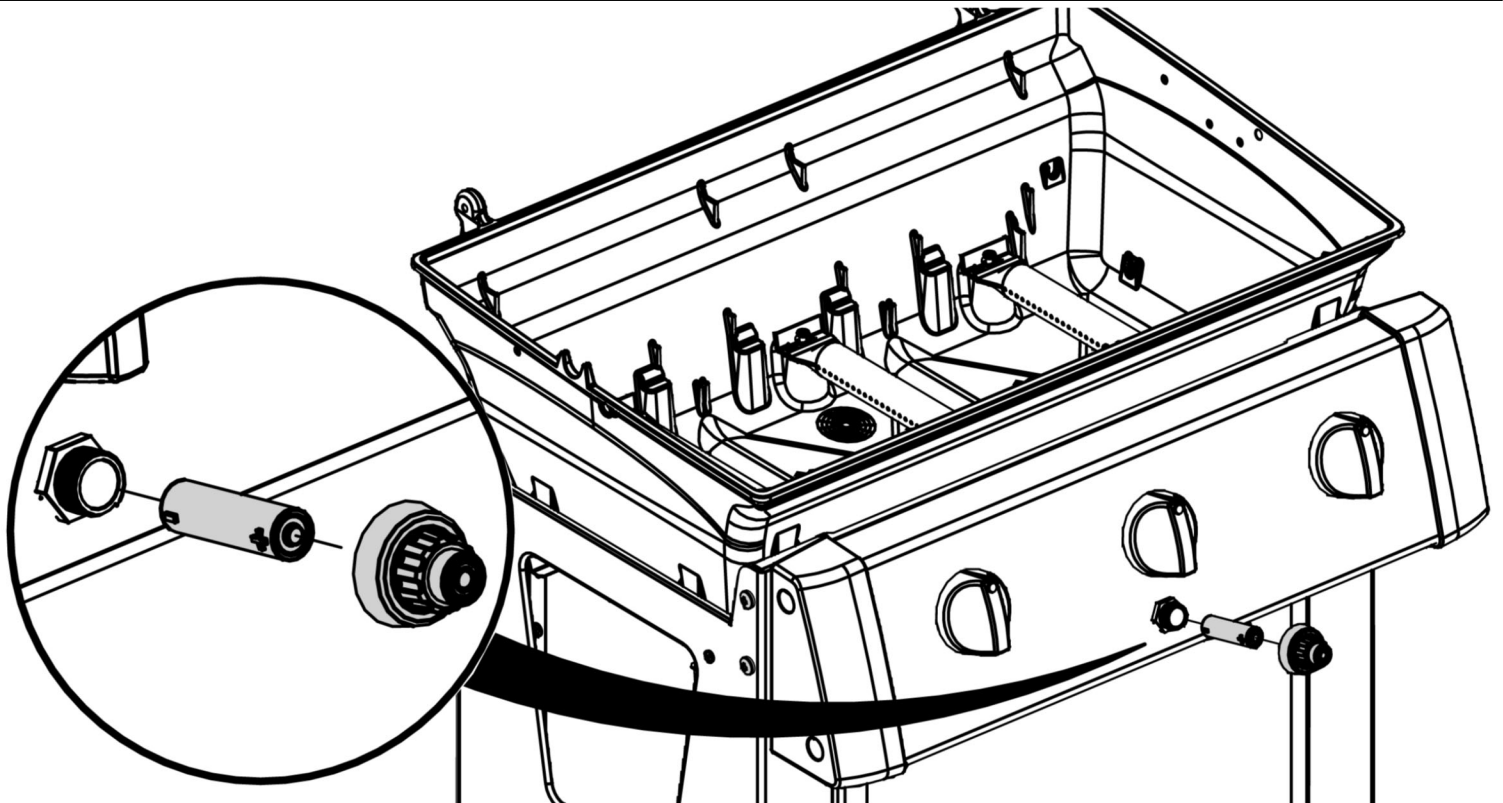
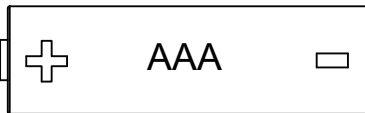


13

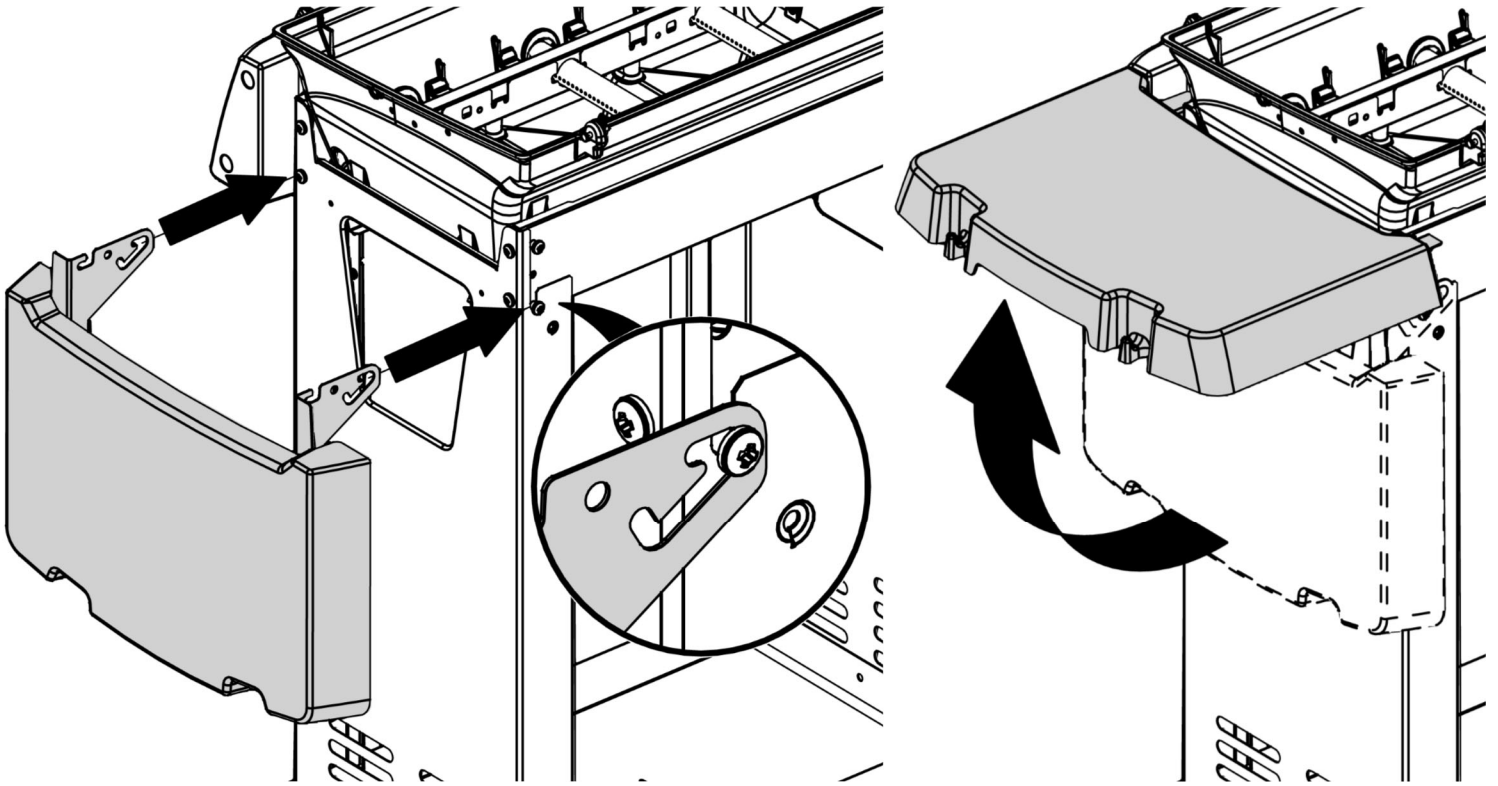


14

(1)

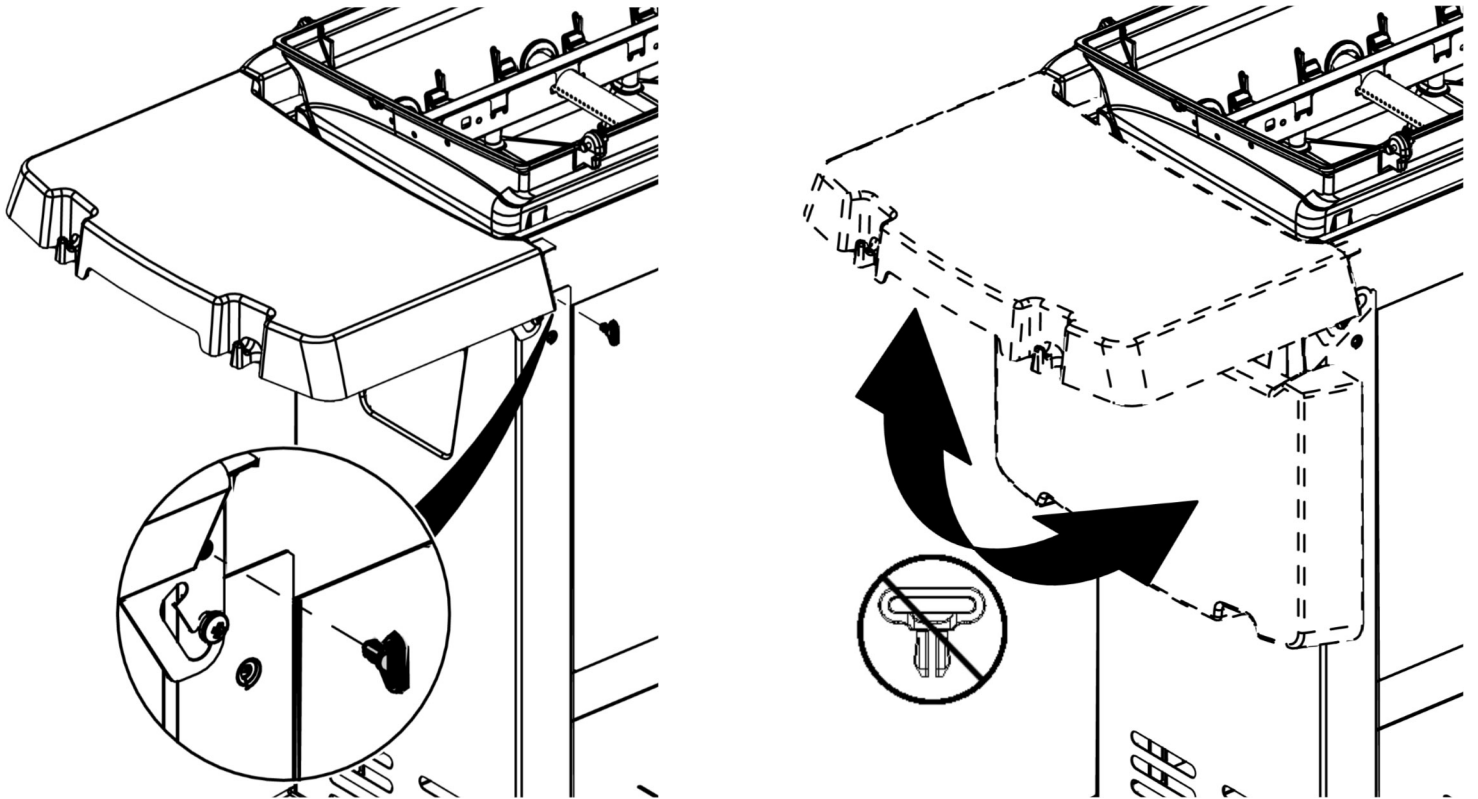
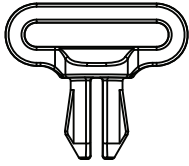


15



16

(2)



17

