

## The nylon plug for all building materials



### BUILDING MATERIALS

- Concrete
- Gypsum plasterboard and gypsum fibreboards
- Vertically perforated brick
- Hollow block made from lightweight concrete
- Cavity floor slabs made of brick, concrete, etc.
- Perforated sand-lime brick
- Solid sand-lime brick
- Natural stone
- Aerated concrete
- Chipboard
- Solid panel made from gypsum
- Solid brick made from lightweight concrete
- Solid brick

### APPROVALS



### ADVANTAGES

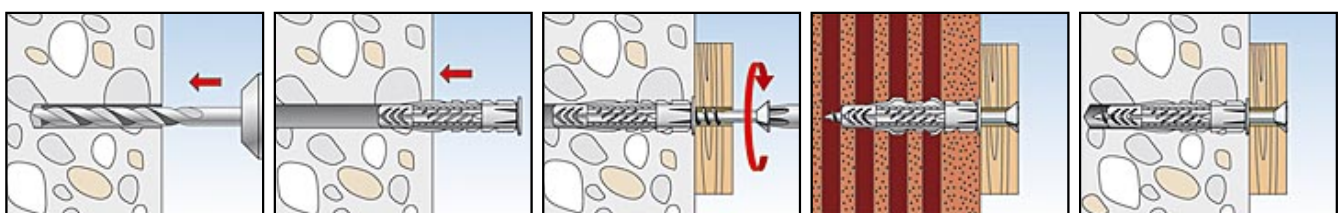
- The universal operating principle (knotting or expanding) allows for use in all solid, hollow and board building materials. Thus the UX is the correct choice for unknown base materials.
- The UX's angled connection ridges allow for optimum screw guidance. Serrated anti-rotation locks prevent rotation in the drill hole. This guarantees the greatest possible installation safety.
- Fixing sets with screws, eye screws and hooks provide the right solution for all applications.

### APPLICATIONS

- Pictures
- Lighting
- Skirting
- Wall cabinets
- Towel rails
- Mirror cabinets
- Curtain rails
- Wash basin fixings
- TV consoles
- Plumbing and heating fixings

### FUNCTIONING

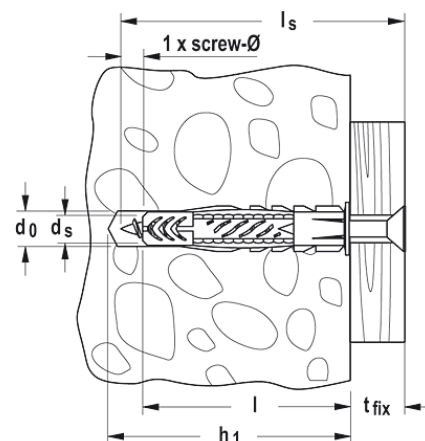
- The UX with rim is suitable for pre-positioned installation; the UX without rim is suitable for push-through installation.
- Turning in the screw causes the UX to expand in the solid building material and to knot within the cavity.
- The required screw length is given by the plug length + fixture thickness + 1 x screw diameter.
- Suitable for wood and chipboard screws, as well as stud screws.
- In the case of board building materials, the threadless part of the screw must not be longer than the fixture, and the UX with rim is to be used.
- The edge distance must be at least one plug length.



## TECHNICAL DATA



Universal plug UX & screw



Article name	Art.-No.	Card contents	Languages on card
UX 5 x 30 RSK	097856	10 x UX 5 x 30 with collar, 10 x chipboard screw 3.5 x 45	D, GB, F, NL, E, I
UX 6 x 35 RSK	077860	10 x UX 6 x 35 with collar, 10 x chipboard screw 4.5 x 60	D, GB, F, NL, E, I
UX 6 x 50 RSK	077861	10 x UX 6 x 50 with collar, 10 x chipboard screw 4.5 x 75	D, GB, F, NL, E, I
UX 6 x 50 SK	077855	10 x UX 6 x 50, 10 x chipboard screw 4.5 x 75	D, GB, F, NL, E, I
UX 8 x 50 RSK	077862	5 x UX 8 x 50 with collar, 5 x chipboard screw 5 x 70	D, GB, F, NL, E, I
UX 8 x 50 SK	077856	5 x UX 8 x 50, 5 x chipboard screw 5 x 70	D, GB, F, NL, E, I
UX 10 x 60 RSK	077863	4 x UX 10 x 60 with collar, 4 x hexagon-head screw 8 x 80	D, GB, F, NL, E, I
UX 10 x 60 SK	077857	4 x UX 10 x 60, 4 x hexagon-head screw 8 x 80	D, GB, F, NL, E, I
UX 12 x 70 SK	077858	2 x UX 12 x 70, 2 x hexagon-head screw 10 x 100	D, GB, F, NL, E, I
UX 14 x 75 SK	077859	2 x UX 14 x 75, 2 x hexagon-head screw 10 x 100	D, GB, F, NL, E, I
UX 6 x 35 RSK	090527	10 x UX 5 x 30 with collar, 10 x chipboard screw 3.5 x 45	DK, S, N, FIN, EST, LV, LT, RUS
UX 6 x 50 RSK	090878	10 x UX 6 x 50 with collar, 10 x chipboard screw 4.5 x 75	DK, S, N, FIN, EST, LV, LT, RUS
UX 6 x 50 RSK	090528	10 x UX 6 x 50 with collar, 10 x chipboard screw 4.5 x 75	DK, S, N, FIN, EST, LV, LT, RUS
UX 6 x 50 SK	090872	10 x UX 6 x 50, 10 x chipboard screw 4.5 x 75	DK, S, N, FIN, EST, LV, LT, RUS
UX 6 x 50 SK	090518	10 x UX 6 x 50, 10 x chipboard screw 4.5 x 75	DK, S, N, FIN, EST, LV, LT, RUS
UX 8 x 50 RSK	090529	5 x UX 8 x 50 with collar, 5 x chipboard screw 5 x 70	DK, S, N, FIN, EST, LV, LT, RUS
UX 8 x 50 SK	090519	5 x UX 8 x 50, 5 x chipboard screw 5 x 70	DK, S, N, FIN, EST, LV, LT, RUS
UX 10 x 60 RSK	090530	4 x UX 10 x 60 with collar, 4 x hexagon-head screw 8 x 80	DK, S, N, FIN, EST, LV, LT, RUS
	090524	4 x UX 10 x 60, 4 x hexagon-head screw 8 x 80	DK, S, N, FIN, EST, LV, LT, RUS
	090525	2 x UX 12 x 70, 2 x hexagon-head screw 10 x 100	DK, S, N, FIN, EST, LV, LT, RUS
UX 5X30 RSK	503808	10 x UX 5 x 30 with collar, 10 x chipboard screw 3.5 x 45	BG, CZ, H, PL, RO, RUS, SK, UA, HR, SLO
UX 6 x 35 RSK	090877	10 x UX 5 x 30 with collar, 10 x chipboard screw 3.5 x 45	BG, CZ, H, PL, RO, RUS, SK, UA, HR, SLO
UX 8 x 50 RSK	090879	5 x UX 8 x 50 with collar, 5 x chipboard screw 5 x 70	BG, CZ, H, PL, RO, RUS, SK, UA, HR, SLO
UX 8 x 50 SK	090873	5 x UX 8 x 50, 5 x chipboard screw 5 x 70	BG, CZ, H, PL, RO, RUS, SK, UA, HR, SLO
UX 10 x 60 RSK	090880	4 x UX 10 x 60 with collar, 4 x hexagon-head screw 8 x 80	BG, CZ, H, PL, RO, RUS, SK, UA, HR, SLO
UX 10 x 60 SK	090874	4 x UX 10 x 60, 4 x hexagon-head screw 8 x 80	BG, CZ, H, PL, RO, RUS, SK, UA, HR, SLO
UX 12 x 70 SK	090875	2 x UX 12 x 70, 2 x hexagon-head screw 10 x 100	BG, CZ, H, PL, RO, RUS, SK, UA, HR, SLO
UX 14 x 75 SK	090876	2 x UX 14 x 75, 2 x hexagon-head screw 10 x 100	BG, CZ, H, PL, RO, RUS, SK, UA, HR, SLO

## LOADS

### Universal plug UX

Highest recommended loads<sup>1)</sup> for a single anchor.

The given loads are valid for wood screws with the specified diameter.

Type		UX5	UX6	UX6 x 50	UX8	UX10	UX12	UX14
Screw diameter	∅ [mm]	4	5	5	6	8	10	12
<b>Recommended loads in the respective base material F<sub>rec</sub><sup>2)</sup></b>								
Concrete	≥ C20/25 [kN]	0,30	0,40	0,60	0,60	1,00	1,50	1,80
Solid brick	≥ Mz 12 [kN]	0,20	0,20	0,30	0,30	0,50	0,70	0,80
Hollow sand lime stone	≥ KSL 12 [kN]	0,30	0,40	0,40	0,50	0,60	0,80	0,80
Vertically perforated brick	≥ Hlz 12 [kN]	0,20	0,20	0,20	0,20	0,20	0,30	0,40
Aerated concrete	≥PB4, PP4 (G4) [kN]	0,15	0,20	0,20	0,30	0,40	0,60	0,70
Gypsum plasterboard	12,5 mm [kN]	0,10	0,10	0,10	0,10	0,10	-	-
Gypsum plasterboard	25 mm [kN]	0,10	0,15	0,15	0,15	0,15	-	-
Gypsum fibreboard	(Fermacell) [kN]	0,20	0,20	0,20	0,20	0,25	-	-
Plaster wall	ρ≥0,9 kg/dm <sup>3</sup> [kN]	-	-	-	0,15	0,35	0,45	0,50

<sup>1)</sup> Includes the safety factor 7.

<sup>2)</sup> Valid for tensile load, shear load and oblique load under any angle.