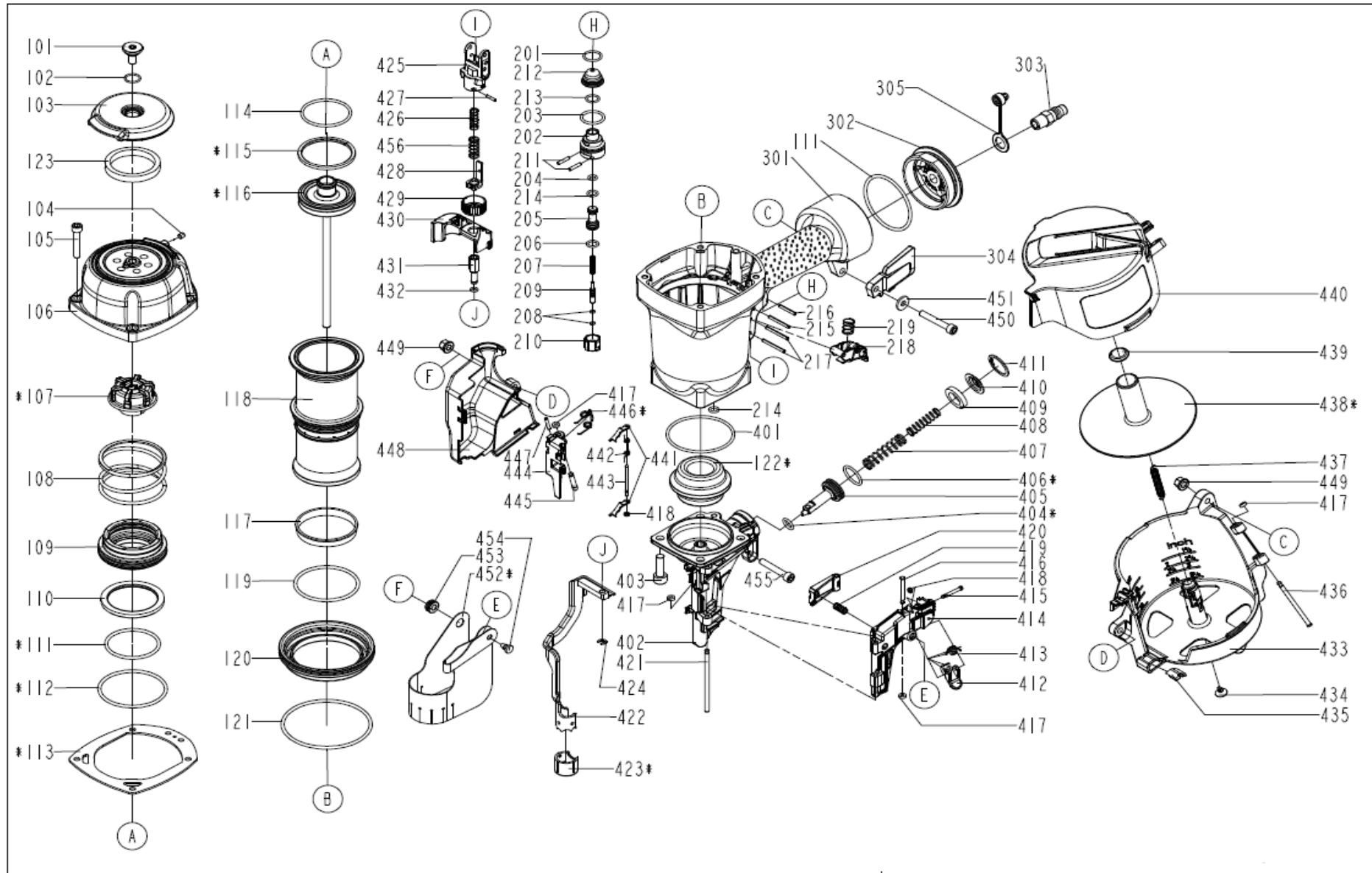


# Coil nailer ESSVE CN 15/90



## Coil nailer ESSVE CN 15/90

Pos	Art. Nr.	Name	Pos	Art. Nr.	Name	Pos	Art. Nr.	Name	Extras		
101		HEX.SOC.HD.BOLT	216		SPIRAL PINS	431		ADJUST ROD			
102		FLAT WASHER	217		SPIRAL PINS	432		O - RING			
103		EXHAUST DEFLECTOR GASKET	218		TRIGGER UNIT	433		MAGAZINE CASE			
104		HEX.SOC.HD.SCREW	219		SPRING	434		SPRING BASE	<b>Service kit</b>		
105		HEX.SOC.HD.BOLT	301		GUN BODY UNIT	435		WASHER			
106		CAP	302		END CAP	436		MAGAZINE SHAFT PIN			
107*		SEAL	303		AIR PLUG	437		PULL SPRING			
108		COMPRESSION SPRING	304		SPRING RETAINER	438*		SPACER			
109		HD.VALVE PISTON	401		O - RING	439		SPRING BASE A			
110		COLLAR	402		NOSE PIECE	440		MAGAZINE COVER			
111*		O - RING	403		HEX.SOC.HD.BOLT	441		NAIL STOP			
112*		O - RING	404*		O - RING	442		STOPPER FINGER SPRING			
113*		CYLINDER CAP SEAL	405		FEED PISTON	443		PIN-NAIL STOP			
114		O - RING	406*		O - RING	444		FEED FINGER			
115*		PISTON RING	407		PUSHER SPRING	445		PIN FEED PISTON			
116*		DRIVER UNIT	408		PUSHER SPRING	446*		FEED FINGER SPRING			
117		CYLINDER RING	409		FEED BUMPER	447		SPIRAL PINS			
118		CYLINDER	410		FEED PISTON CAP	448		SPRING COVER			
119		O - RING	411		C - RING	449		BOLT CAP			
120		CYLINDER SPACER	412		DOOR LATCH	450		HEX.SOC.HD.BOLT			
121		O - RING	413		LATCH SPRING	451		FLAT WASHER			
122*		BUMPER	414		DOOR	452*		MUZZLE PROTECTOR			
124		RUBBER PAD	415		PIN	453		PROTECTOR WASHER			
201		O - RING	416		PIN-NAIL STOP	454		DUST SHIELD PLUG			
202		PLUNGER CAP	417*		PU RETAINER	455		HEX.SOC.HD.BOLT			
203		O - RING	418		URETHANE RETAINER	456		SAFETY SPRING			
204		O - RING	419		SAFETY SPRING						
205		VALVE PLUNGER	420		NAIL STOP						
206		O - RING	421		DOOR SHAFT PIN						
207		SPRING	422		SAFETY A UNIT						
208		O - RING	423*		PROTECTIVE CASING						
209		PLUNGER	424		E - RING						
210		TRIGGER VALVE HEAD	425		SAFETY GUIDE						
211		PIN	426		SAFETY SPRING						
212		COVER-PLUNGER	427		SPRING PIN						
213		O - RING	428		SAFETY B UNIT						
214		O - RING	429		ADJUST AXIE						
215		SPIRAL PINS	430		SAFETY COVER						

