

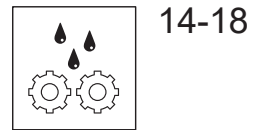
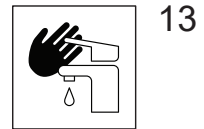


# Oras Vega

Installation and maintenance guide



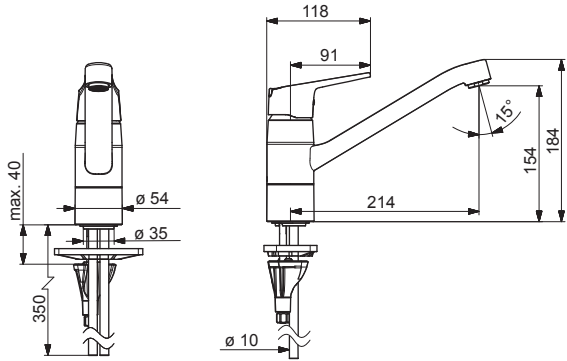






## 1820G

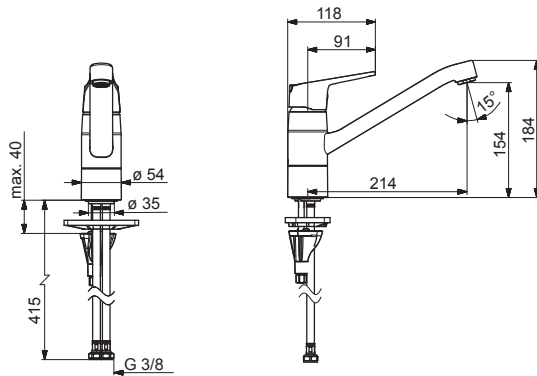
I (ISO 3822)  
 EN 817  
 50 - 1000 kPa  
 0.15 l/s (Eco)  
 0.29 l/s (300 kPa)  
 140 kPa (0.2 l/s)  
 max. +80°C



[mpi.oras.com/1820G](http://mpi.oras.com/1820G)

## 1820FG, 1820FGG

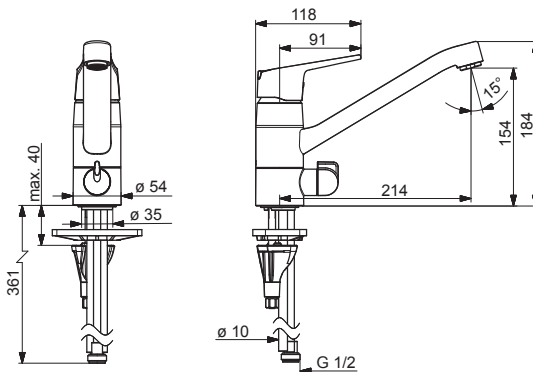
I (ISO 3822)  
 EN 817  
 50 - 1000 kPa  
 0.17 l/s (Eco) 1820FG  
 0.29 l/s (300 kPa) 1820FG  
 150 kPa (0.2 l/s) 1820FG  
 0.11 l/s (Eco) 1820FGG  
 0.14 l/s (300 kPa) 1820FGG  
 145 kPa (0.1 l/s) 1820FGG  
 max. +80°C



[mpi.oras.com/1820FG](http://mpi.oras.com/1820FG)

## 1825G

I (ISO 3822)  
 EN 817  
 50 - 1000 kPa  
 0.15 l/s (Eco)  
 0.29 l/s (300 kPa)  
 145 kPa (0.2 l/s)  
 max. +80°C



[mpi.oras.com/1825G](http://mpi.oras.com/1825G)

## 1825FG, 1825FGG

I (ISO 3822)

EN 817

50 - 1000 kPa

0.17 l/s (Eco)

0.29 l/s (300 kPa)

150 kPa (0.2 l/s)

0.11 l/s (Eco)

0.14 l/s (300 kPa)

145 kPa (0.1 l/s)

max. +80°C

1825FG

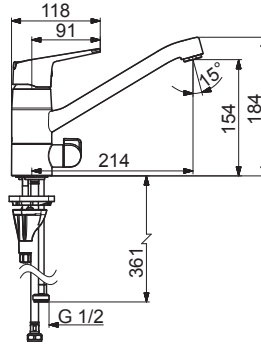
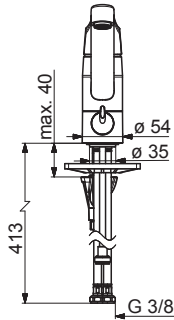
1825FG

1825FG

1825FGG

1825FGG

1825FGG



[mpi.oras.com/1825FG](http://mpi.oras.com/1825FG)

## 1832FG

I (ISO 3822)

EN 817

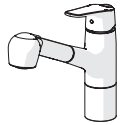
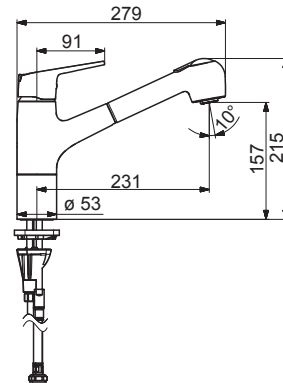
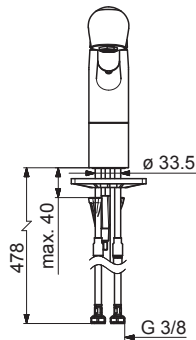
50 - 1000 kPa

0.07 l/s (Eco)

0.16 l/s (300 kPa)

90 kPa (0.1 l/s)

max. +80°C



[mpi.oras.com/1832FG](http://mpi.oras.com/1832FG)

## 1828G

I (ISO 3822)

EN 817

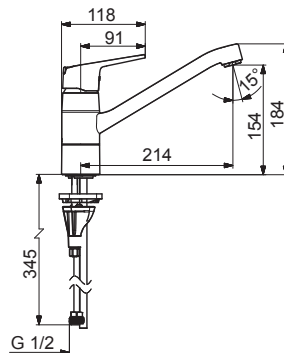
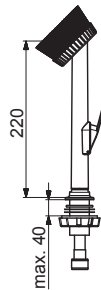
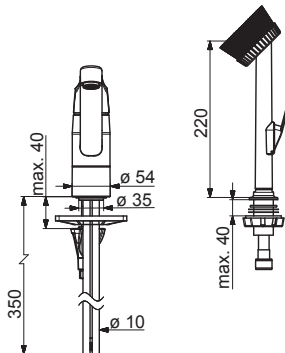
50 - 1000 kPa

0.07 l/s (Eco)

0.17 l/s (300 kPa)

105 kPa (0.1 l/s)

max. +80°C

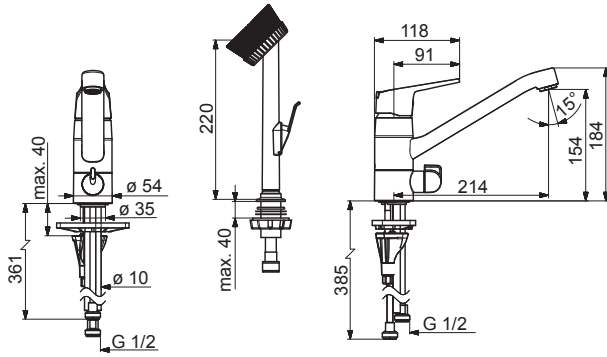


[mpi.oras.com/1828G](http://mpi.oras.com/1828G)



## 1829G

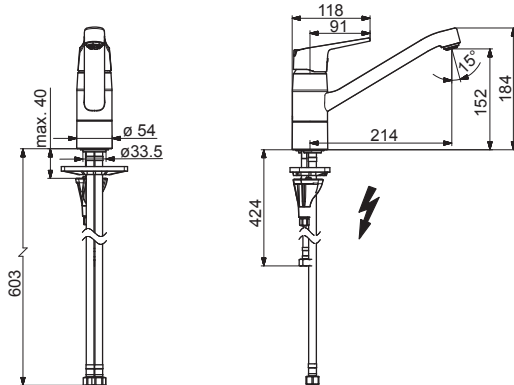
I (ISO 3822)  
 EN 817  
 50 - 1000 kPa  
 0.07 l/s (Eco)  
 0.17 l/s (300 kPa)  
 105 kPa (0.1 l/s)  
 max. +80°C



[mpi.oras.com/1829G](http://mpi.oras.com/1829G)

## 1821FG

I (ISO 3822)  
 EN 817  
 50 - 500 kPa  
 0.08 l/s (300 kPa w/Reducer)  
 max. +80°C



[mpi.oras.com/1821FG](http://mpi.oras.com/1821FG)

## 1838FG , 1838FG-33

I (ISO 3822)

EN 817

50 - 1000 kPa

0.15 l/s (Eco)

1838FG

0.27 l/s (300 kPa)

1838FG

170 kPa (0.2 l/s)

1838FG

0.11 l/s (Eco)

1838FGG

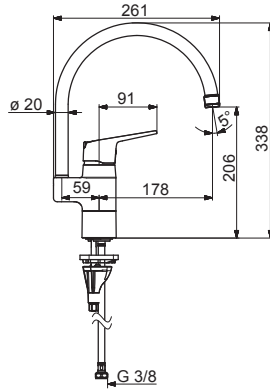
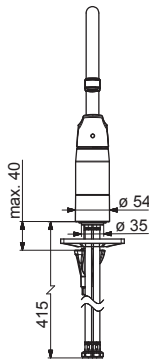
0.14 l/s (300 kPa)

1838FGG

145 kPa (0.1 l/s)

1838FGG

max. +80°C



[mpi.oras.com/1838FG](http://mpi.oras.com/1838FG)

## 1839FG , 1839FG-33 , 1839FGG

I (ISO 3822)

EN 817

50 - 1000 kPa

0.15 l/s (Eco)

1839FG

0.27 l/s (300 kPa)

1839FG

170 kPa (0.2 l/s)

1839FG

0.11 l/s (Eco)

1839FGG

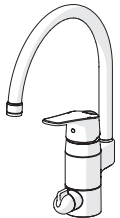
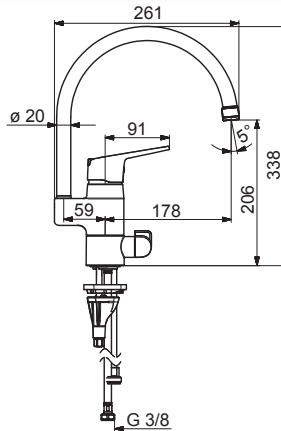
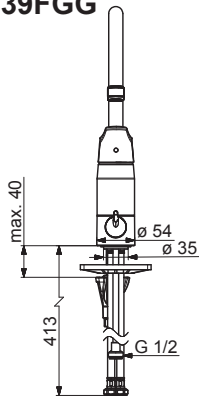
0.14 l/s (300 kPa)

1839FGG

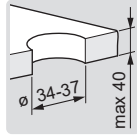
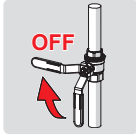
145 kPa (0.1 l/s)

1839FGG

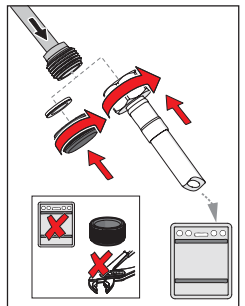
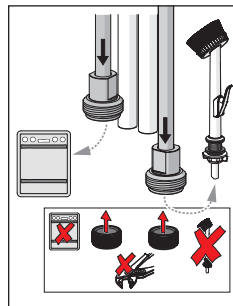
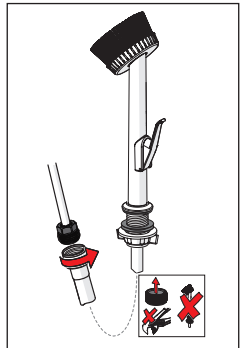
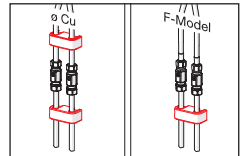
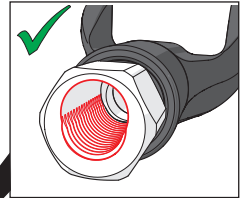
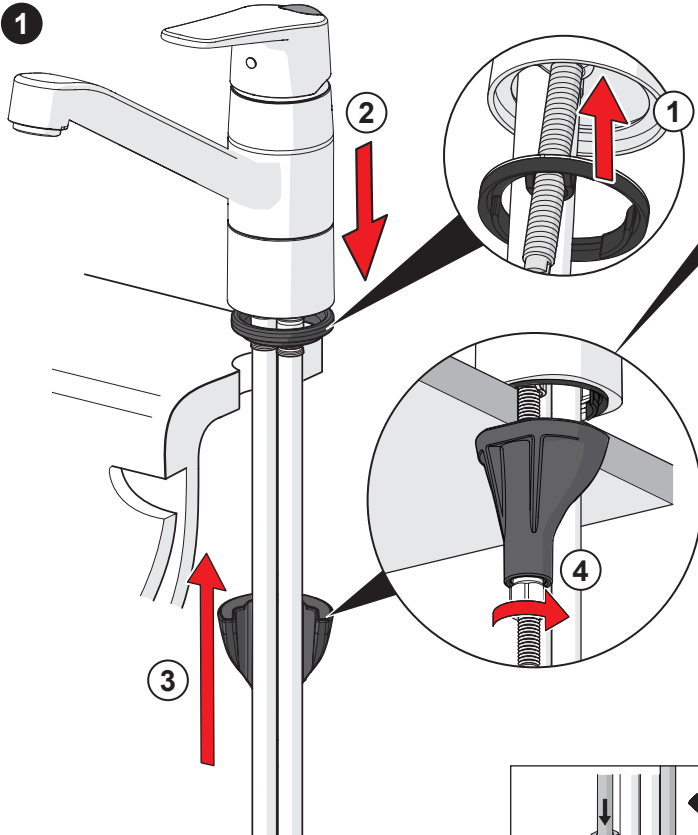
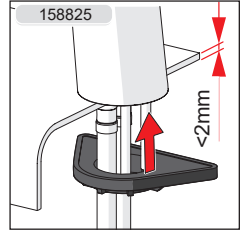
max. +80°C



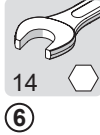
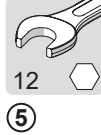
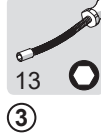
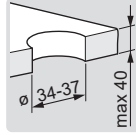
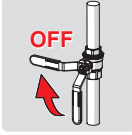
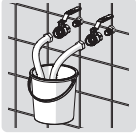
[mpi.oras.com/1839FG](http://mpi.oras.com/1839FG)



max.  
1600 kPa

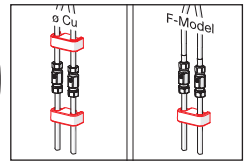
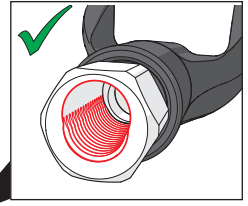
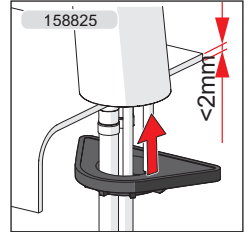
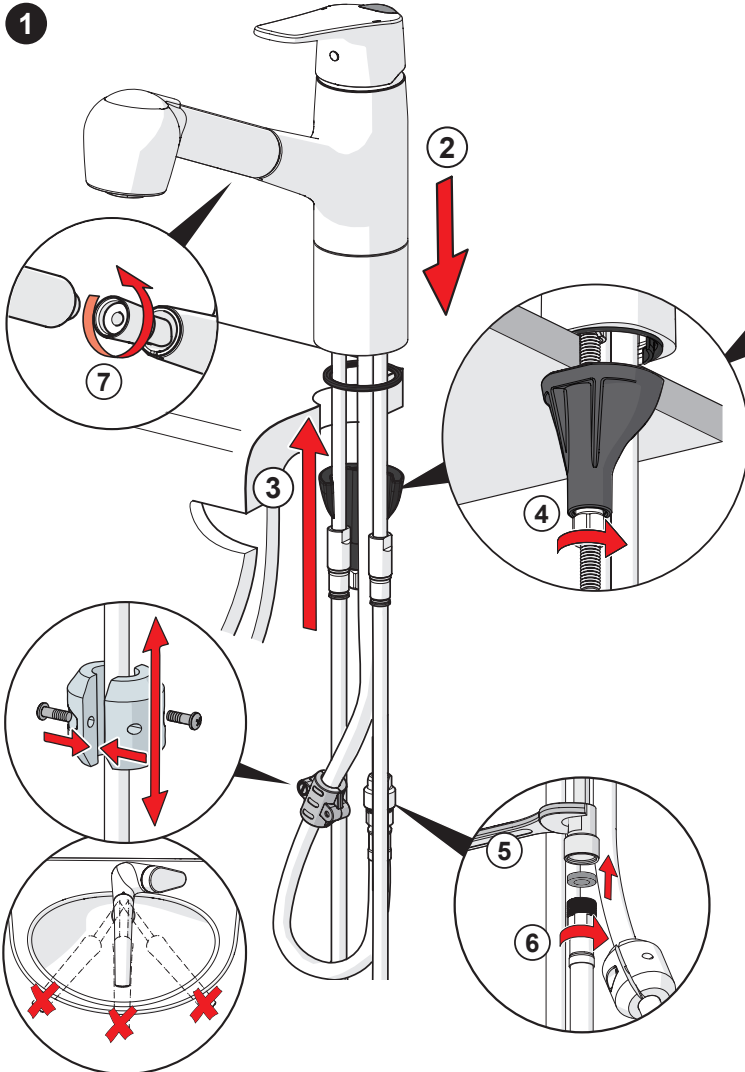






max.  
1600 kPa

1



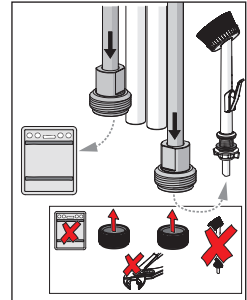
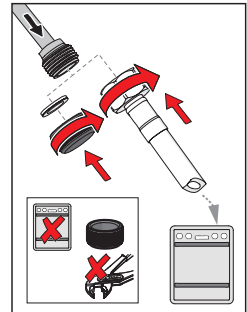
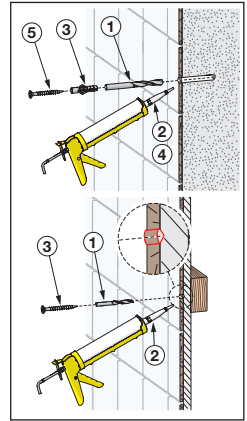
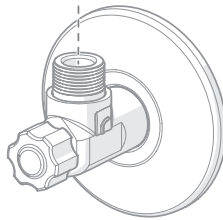
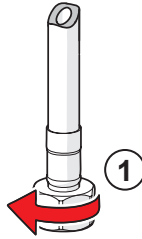
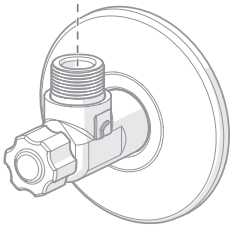
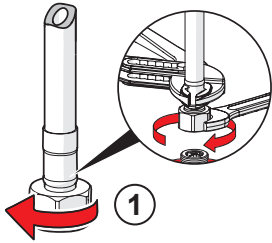


19



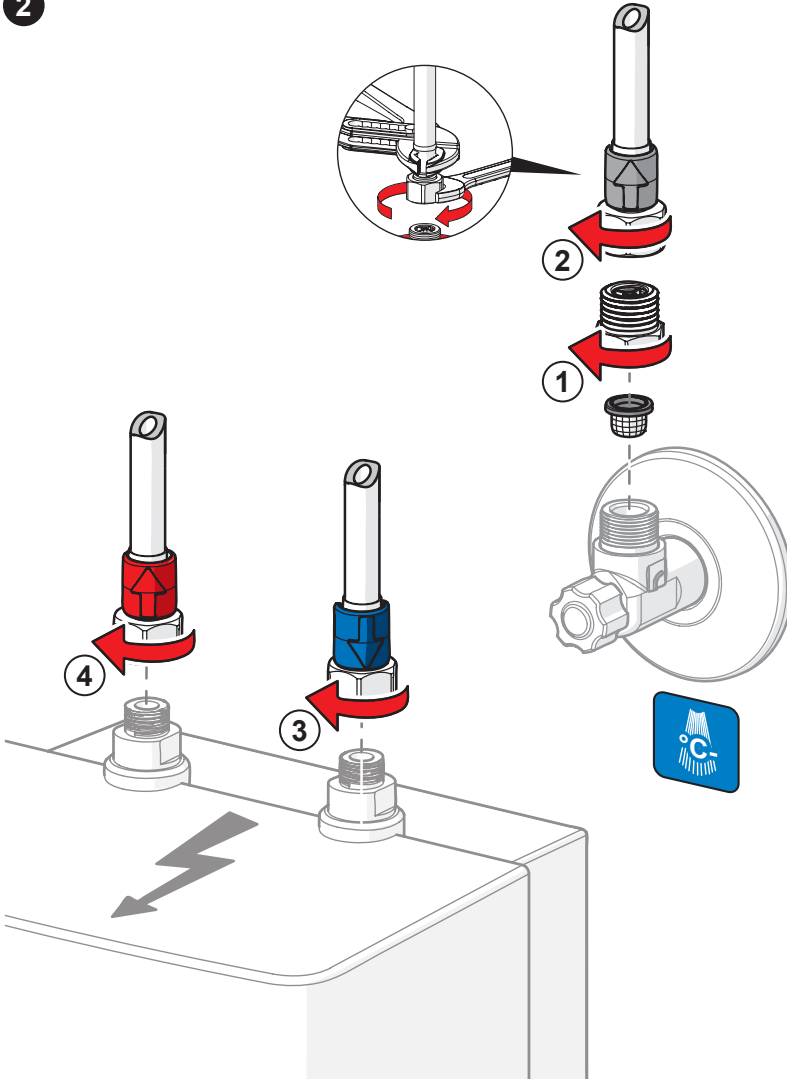
①

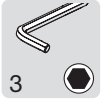
max.  
1600 kPa



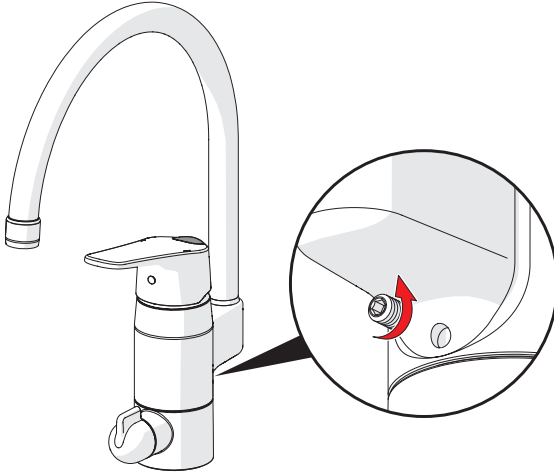


2

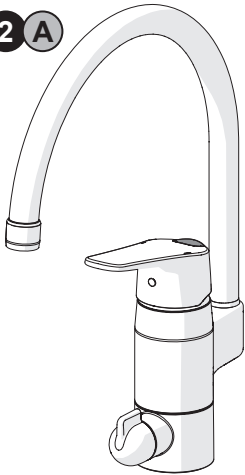




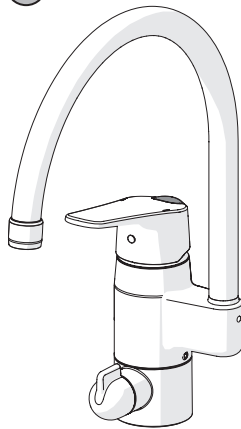
1



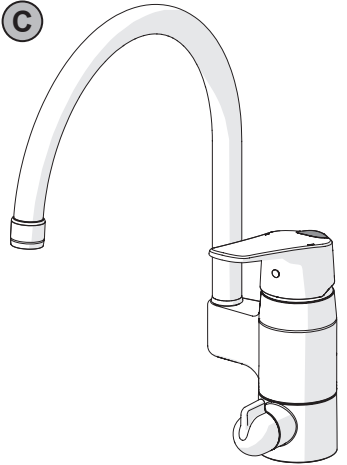
2 A

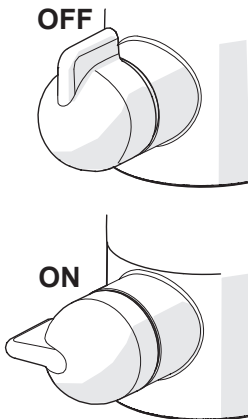
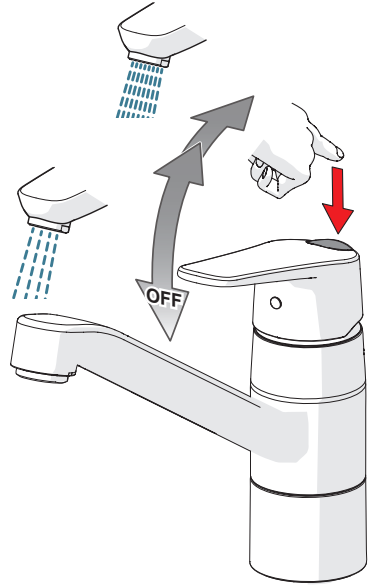
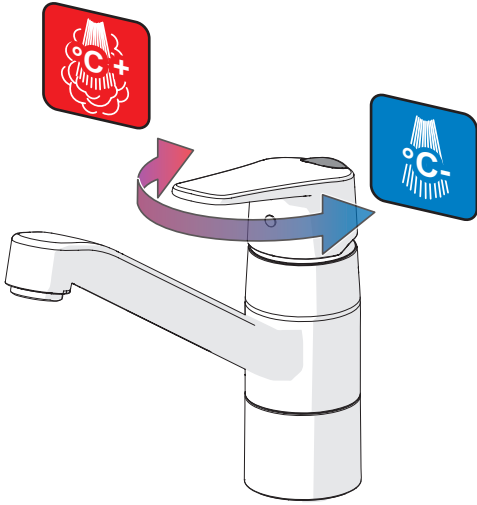


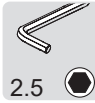
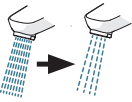
B



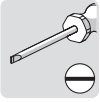
C







2.5

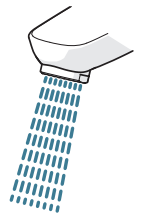
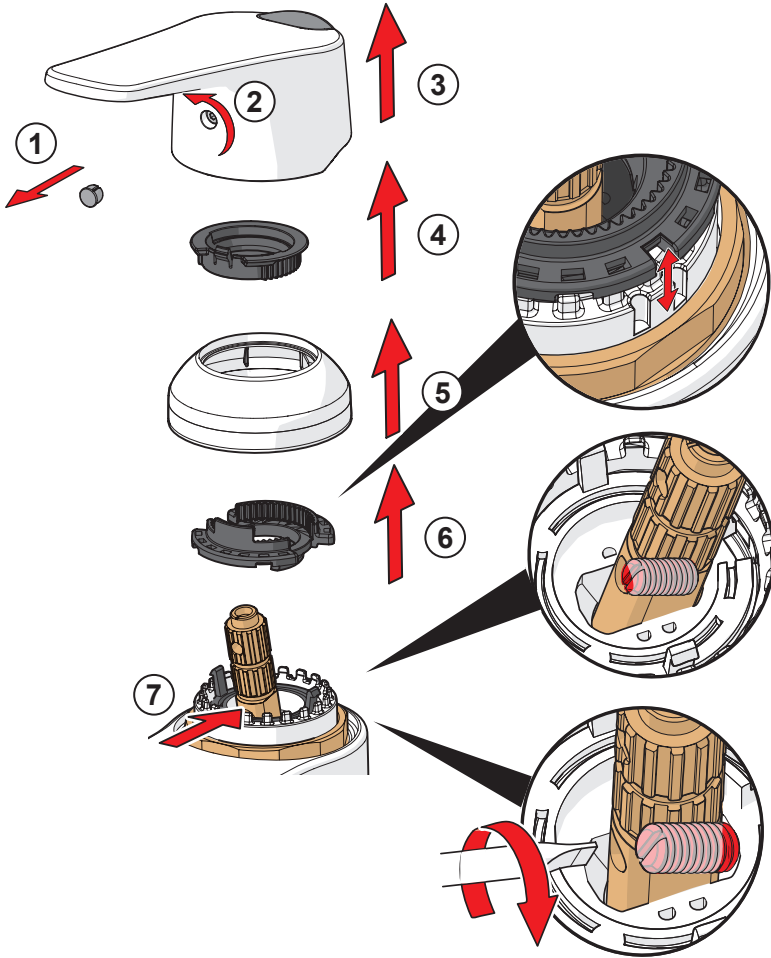


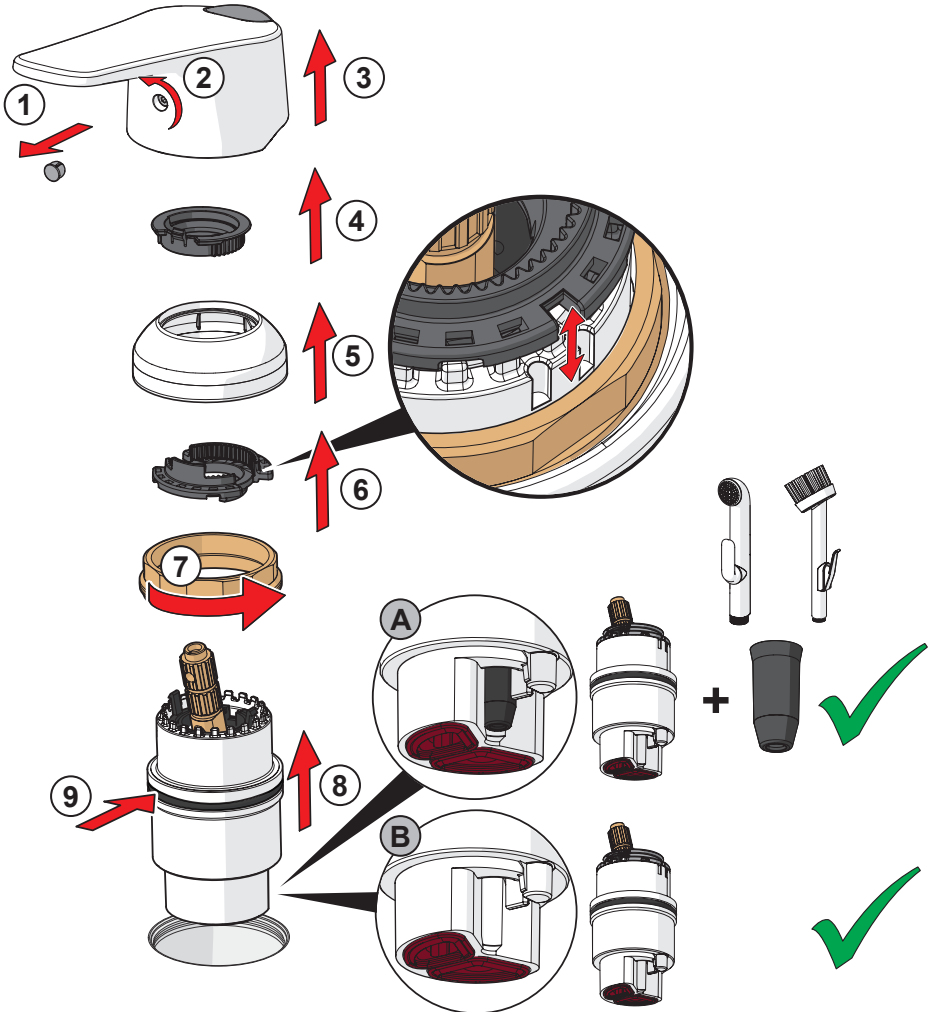
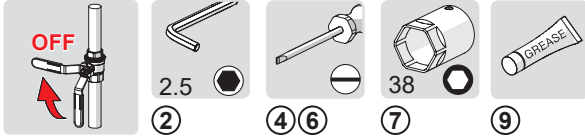
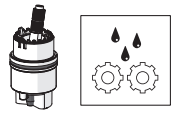
②

③

⑤

⑥







A1



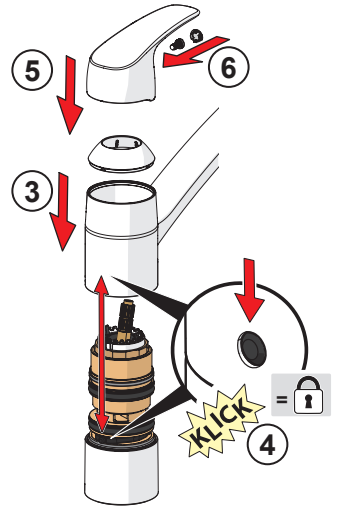
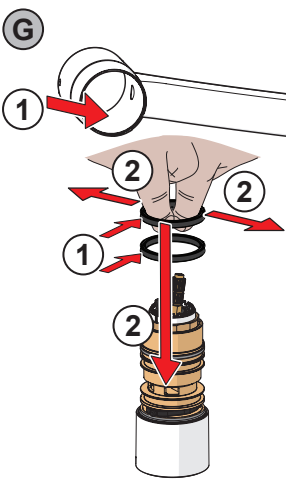
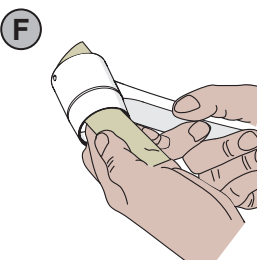
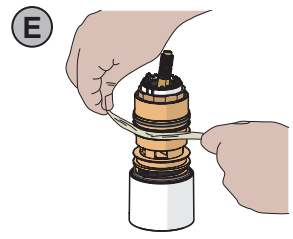
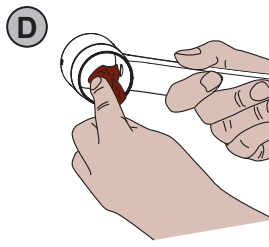
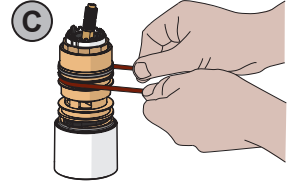
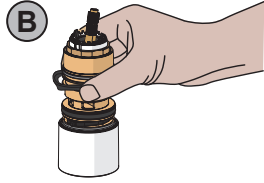
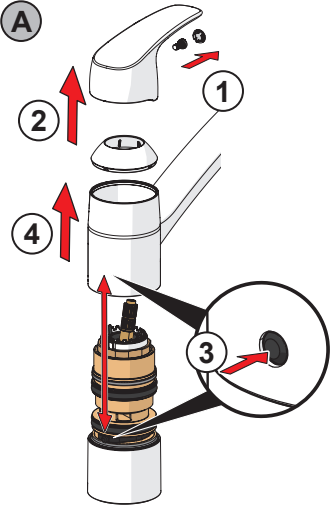
G1



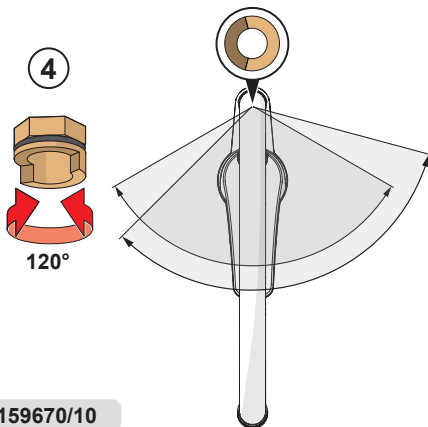
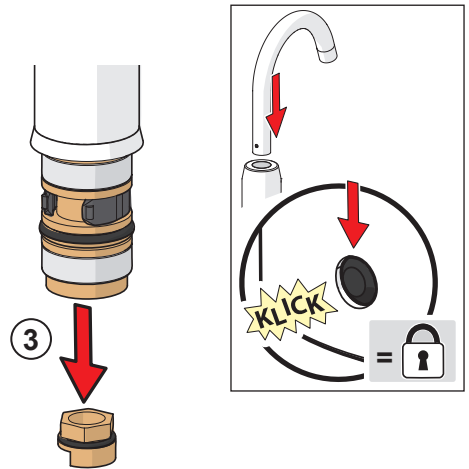
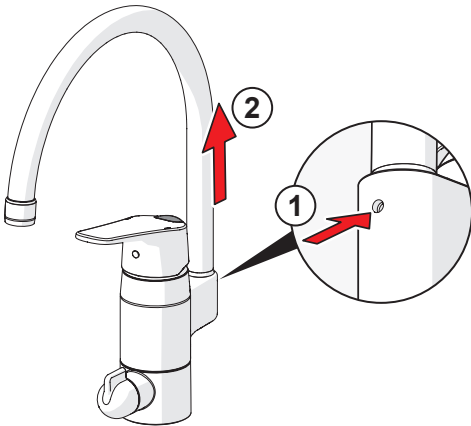
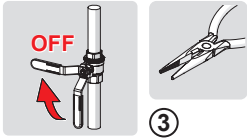
G2



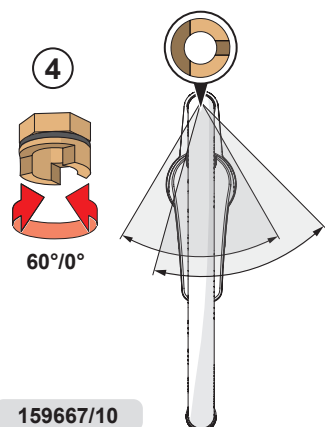
G6



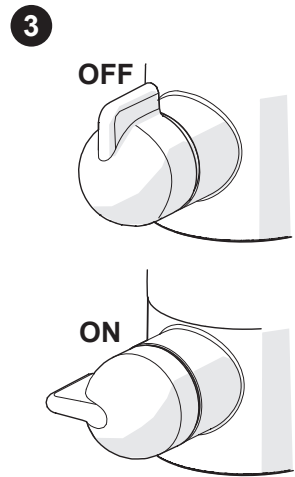
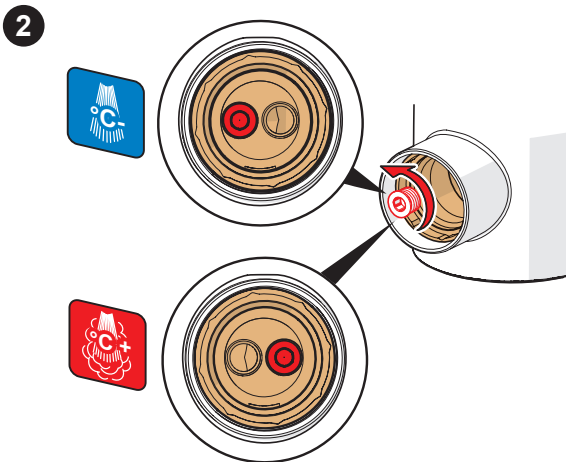
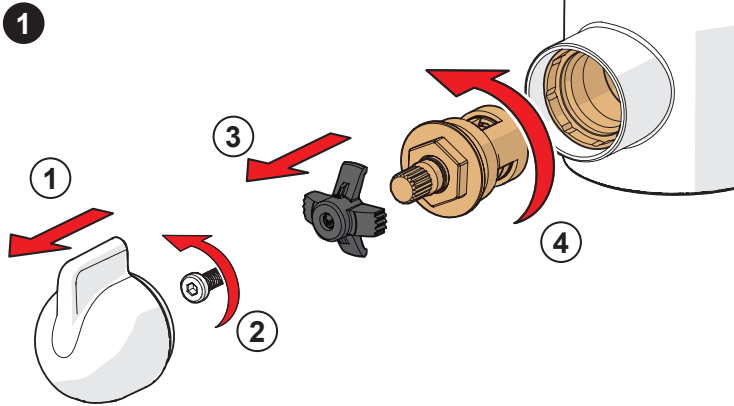
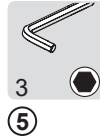
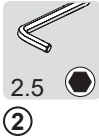
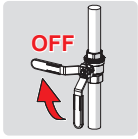
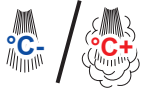


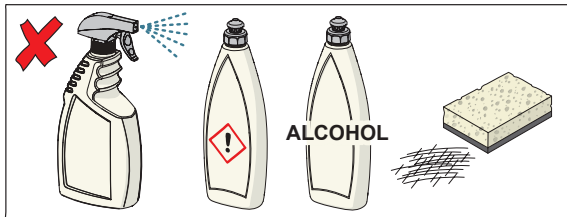
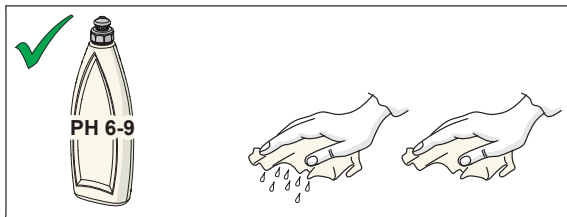
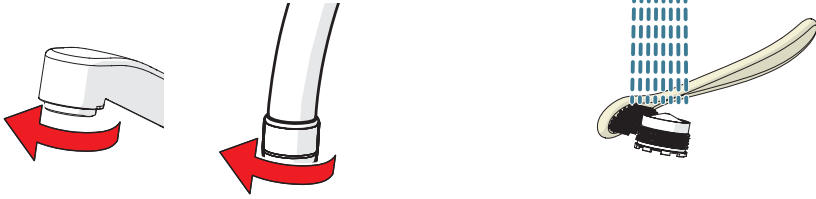
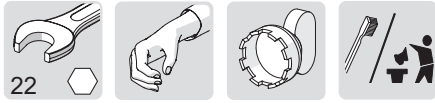


159670/10



159667/10





[cleaning.oras.com](http://cleaning.oras.com)









Oras Group is a powerful European provider of sanitary fittings: the market leader in the Nordics and a leading company in Continental Europe. The company's mission is to make the use of water easy and sustainable and its vision is to become the European leader of advanced sanitary fittings. Oras Group has two strong brands: Oras and Hansa.

The Group's head office is located in Rauma, Finland, and the Group has three manufacturing sites: Kralovice (Czech Republic), Olesno (Poland) and Rauma (Finland). Oras Group employs approximately 1,200 people in twenty countries. Oras Group is owned by Oras Invest, a family company and an industrial owner.

ORAS Ltd  
Isometsäntie 2, P.O. Box 40  
FI-26101 Rauma  
Tel. +358 2 83 161  
Fax +358 2 831 6300  
info.finland@oras.com  
www.oras.com



943405-02-21