

Prevex® EasyClean™

Easy-to-clean water trap for stylish bathrooms.



WATER TRAP
FOR BATHROOMS



PREVEX
ALL ABOUT WATER TRAPS

Prevex® EasyClean™

A patented solution for swift cleaning.

Traditionally, cleaning the water trap has not been an easy nor a pleasant task. However, with Prevex's patented EasyClean water trap, **water trap cleaning has never been this effortless.**

EasyClean is quickly cleaned from above – without unscrewing the water trap and wearing out the seals. Especially hospitals, hotels, and homes that value high standards of hygiene benefit from this innovation.



Easy to clean

20 seconds and you are done – this is how fast you will clean this ground-breaking water trap. No tool is needed, just lift up the water trap by hand.



Pleasant working environment

With EasyClean, you can say goodbye to harmful chemicals, buckets and rags. In addition, your working position is pleasant throughout the cleaning process.



Minimised risks

EasyClean will lower the risk for leakage and water damage, as it does not have to be unscrewed and disassembled for cleaning.



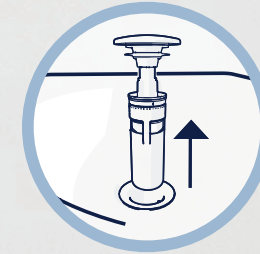
Adjustable

EasyClean is adjustable in height and can be both floor- and wall-mounted. It also fits a lot of different basin types.

All our products meet the European EN-274 standard.  **Developed and produced in Finland.**

Clean the water trap in only 20 seconds!

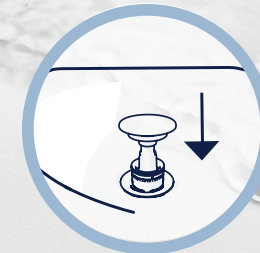
This water trap is super fast and easy to clean, as it is not removed from under the wash basin. Easy cleaning eliminates leakage and water damage.



1 Lift the water trap from the waste outlet.



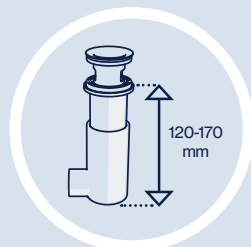
2 Rinse it under running water.



3 Put the water trap back into place.



Technical specifications



Adjustable for heights between 120 and 170 mm.

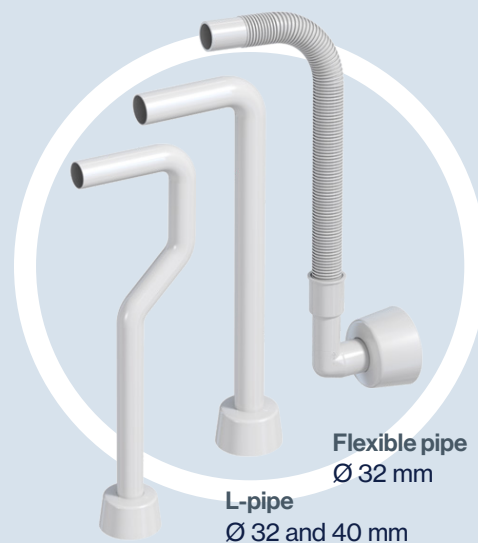


Compatible with 35-55 mm thick basins with integrated overflow.



Overflow kits
Flexible overflow pipe, length: 180-570 mm. Because of this, EasyClean fits in many different sizes of wash basins. Available with many different types of overflow accessories.

EasyClean spacer ring
When the spacer ring is used, EasyClean water trap is compatible with 10-30 mm and 1-5 mm thick basins.



Flexible pipe
Ø 32 mm
L-pipe
Ø 32 and 40 mm

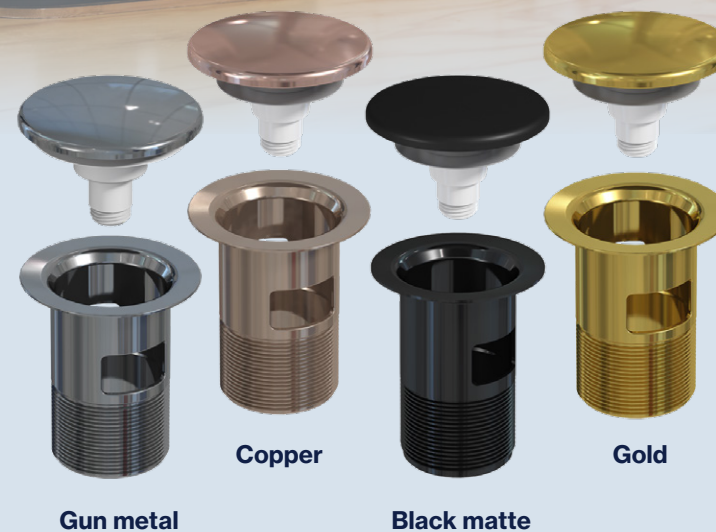
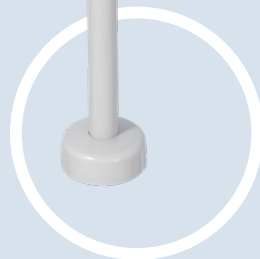
S-pipe
Ø 32 or 40 mm

EasyClean spare parts

Open strainer
Stainless open strainer that includes the water trap part.



Wall and floor mounting
Available in two different versions for either floor or wall mounting.

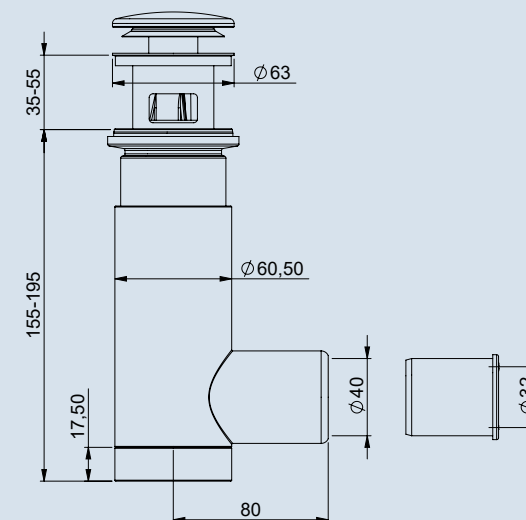


Coloured accessories for trendy bathrooms

Our kits include a pop-up plug and waste valve in uniform colours.



Outlet pipe adapter
40 mm outlet pipe connection, 32 mm with the adapter.



Not equipped with washing machine connection.

Prevex[®]
EasyClean[™]



sales@prevex.com

www.prevex.com

Oy PreveX Ab,
FI-66900 Nykarleby, Finland
Tel. +358 (0)6 781 8000

