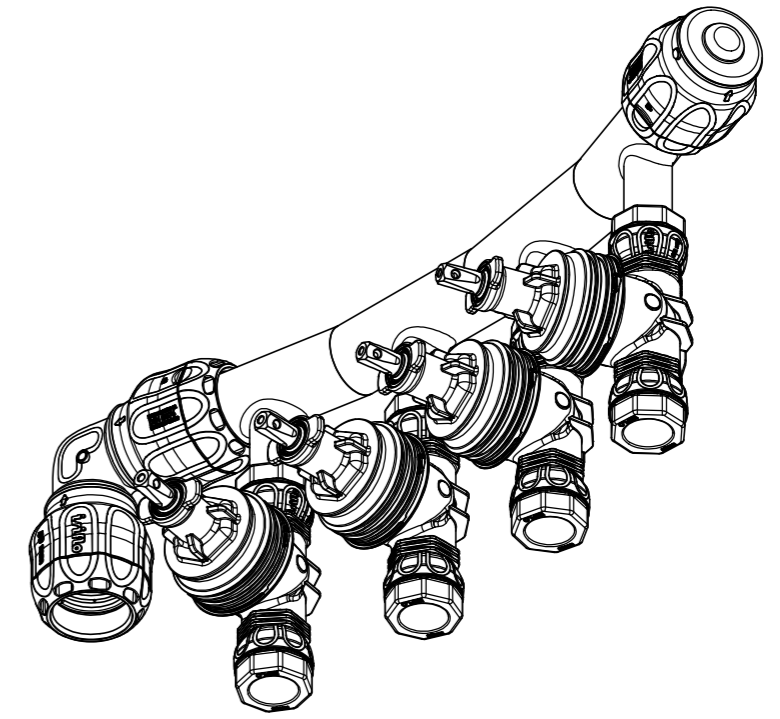
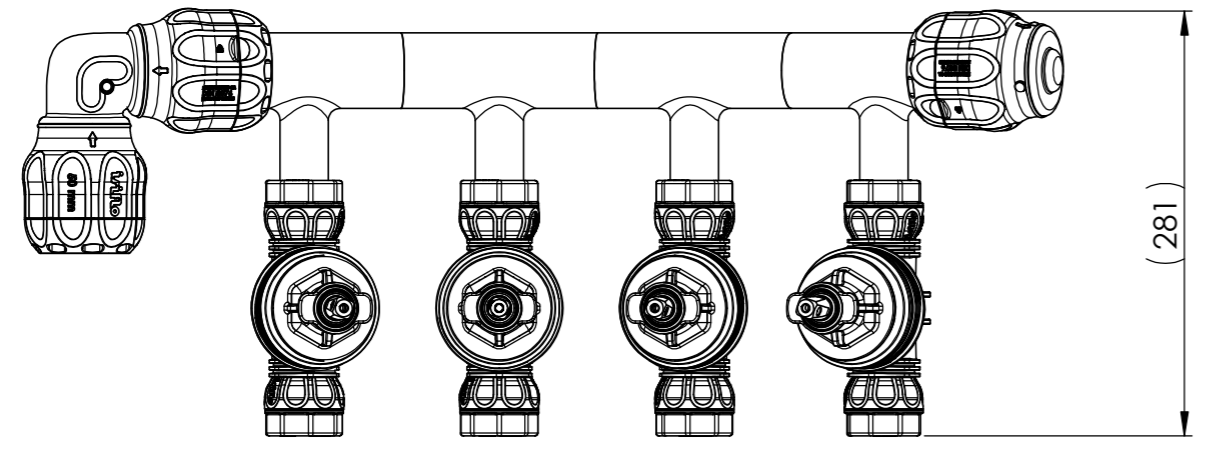
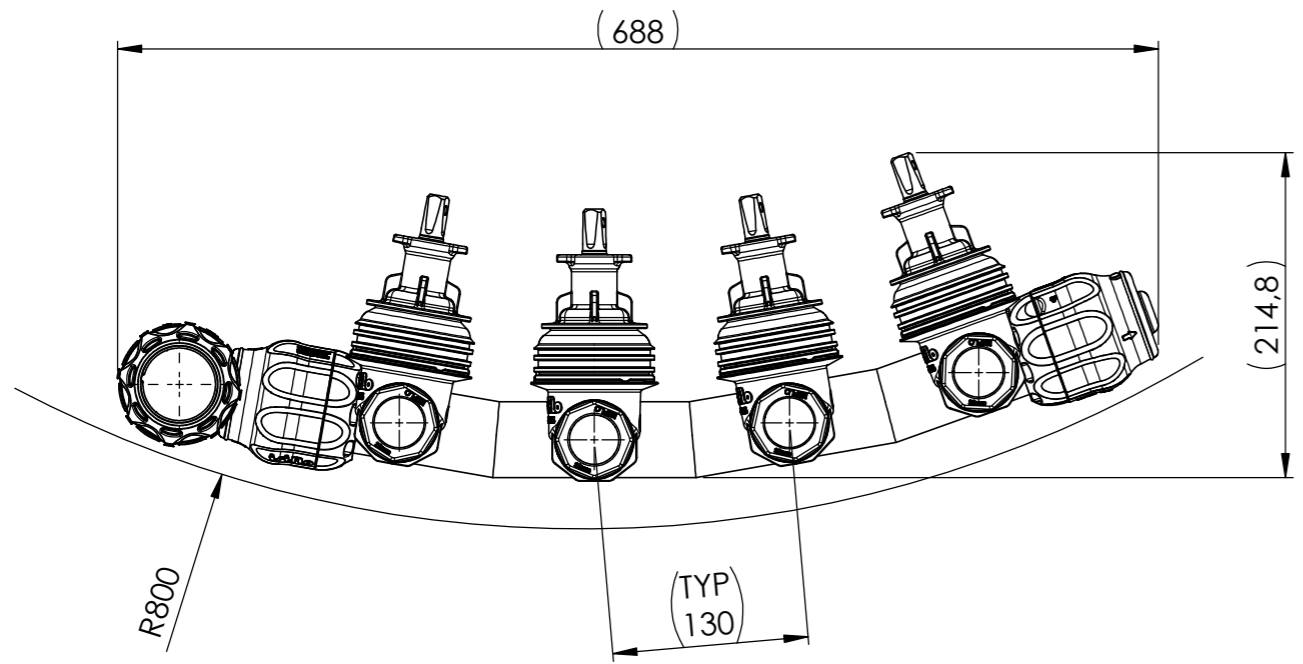




REV.	DESCRIPTION	ECO (Y/N)	REVISION BY / DATE	APPROVED BY / DATE
-	Prototype drawing. Not for production!		JSB / 22.03.04	AMU / 22.03.04



TOTAL WEIGHT ASSEMBLY [g]: 7322.48		NOTE:			
CAD: 	GENERAL TOLERANCE	SCALE	FINISH		
		1:5			
DESIGNER / DATE		Jonas Solhaug Bossum / 22.04.08		ARTICLE / DRAWING NUMBER:	REV.:
PART & DIMENSION:				Type 251 måltegning	
Type 250 Manifold Ø1600 - 4 valves				REFERENCE DRAWING:	A3
PRODUCT GROUP:				SHEET 1 OF 1	
Isiflo ECO LINE					

This drawing is property of ISIFLO AS.  
 The right to use this drawing /  
 description belongs to ISIFLO AS.  
 The drawing must not be copied,  
 distributed or submitted to persons  
 not concerned.