

# Milwaukee®

Nothing but **HEAVY DUTY**®



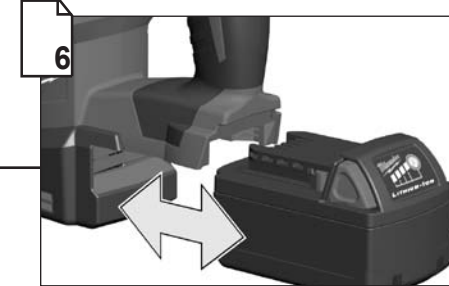
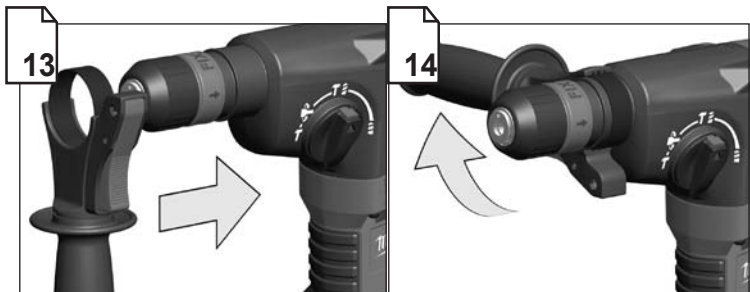
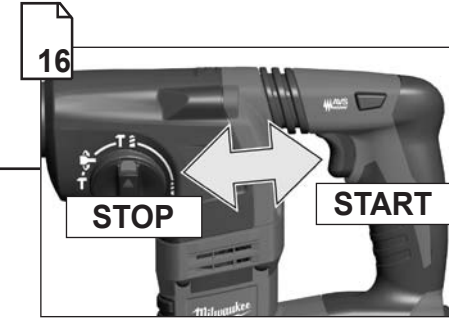
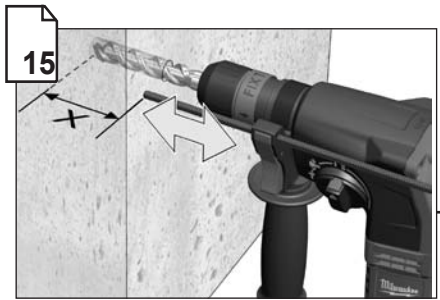
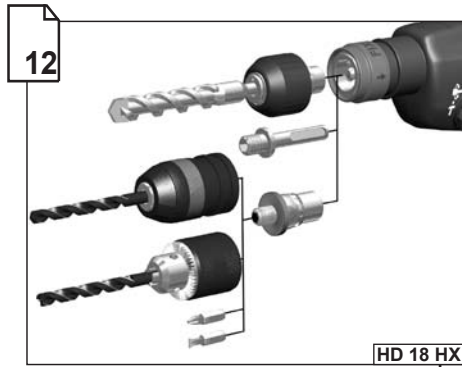
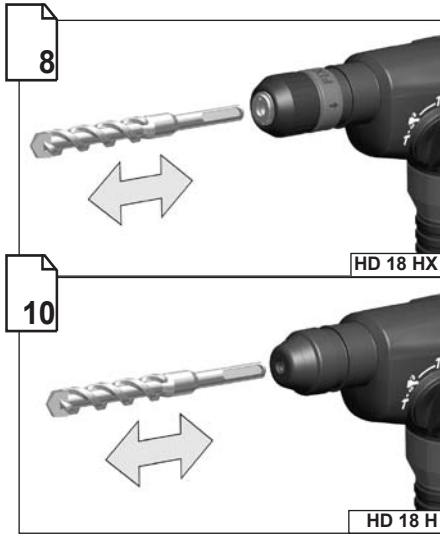
## **HD18 H** **HD18 HX**

Original instructions  
Originalbetriebsanleitung  
Notice originale  
Istruzioni originali  
Manual original  
Oorspronkelijke  
gebruiksaanwijzing  
Original brugsanvisning  
Original bruksanvisning  
Bruksanvisning i original  
Alkuperäiset ohjeet

Πρωτότυπο οδηγιών χρήσης  
Orijinal işletme talimatı  
Původním návodem k  
používání  
Pôvodný návod na použitie  
Instrukcja oryginalną  
Eredeti használati utasítás  
Izvirna navodila  
Originalne pogonske upute  
Instrukcijām oriģinālvalodā  
Originalni instrukcija

Algupärane kasutusjuhend  
Оригинальное руководство  
по эксплуатации  
Оригинално ръководство за  
експлоатация  
Instrucțiuni de folosire  
originale  
Оригинален прирачник за  
работа  
原始的指南

|                                                                                                                                                                                    |                                                                                          |                    |           |
|------------------------------------------------------------------------------------------------------------------------------------------------------------------------------------|------------------------------------------------------------------------------------------|--------------------|-----------|
| Technical Data, Safety instructions, Specified Conditions of Use, EC-Declaration of Conformity, Batteries, Characteristics, Maintenance, Symbols                                   | Please read and save these instructions!                                                 | <b>ENGLISH</b>     | <b>22</b> |
| Technische Daten, Sicherheitshinweise, Bestimmungsgemäße Verwendung, CE-Konformitätserklärung, Akkus, Merkmale, Wartung, Symbole                                                   | Bitte lesen und aufbewahren!                                                             | <b>DEUTSCH</b>     | <b>24</b> |
| Caractéristiques techniques, Instructions de sécurité, Utilisation conforme aux prescriptions, Déclaration CE de Conformité, Accus, Description, Entretien, Symboles               | Prière de lire et de conserver!                                                          | <b>FRANÇAIS</b>    | <b>26</b> |
| Dati tecnici, Norme di sicurezza, Utilizzo conforme, Dichiarazione di Conformità CE, Batteria, Breve Indicazione, Manutenzione, Simboli                                            | Si prega di leggere le istruzioni e di conservarle!                                      | <b>ITALIANO</b>    | <b>28</b> |
| Datos técnicos, Instrucciones de seguridad, Aplicación de acuerdo a la finalidad, Declaración de Conformidad CE, Batería, Señalización, Mantenimiento, Símbolos                    | Lea y conserve estas instrucciones por favor!                                            | <b>ESPAÑOL</b>     | <b>30</b> |
| Características técnicas, Instruções de segurança, Utilização autorizada, Declaração de Conformidade CE, Acumulador, Características, Manutenção, Símbolo                          | Por favor leia e conserve em seu poder!                                                  | <b>PORTUGUES</b>   | <b>32</b> |
| Technische gegevens, Veiligheidsadviezen, Voorgeschreven gebruik van het systeem, EC-Konformiteitsverklaring, Akku, Kenmerken, Onderhoud, Symbolen                                 | Lees en let goed op deze adviezen!                                                       | <b>NEDERLANDS</b>  | <b>34</b> |
| Tekniske data, Sikkerhedshenvisninger, Tiltænkt formål, CE-Konformitetserklæring, Batteri, Beskrivelse, Vedligeholdelse, Symboler                                                  | Vær venlig at læse og opbevare!                                                          | <b>DANSK</b>       | <b>36</b> |
| Tekniske data, Spesielle sikkerhetshenvisninger, Formålmessig bruk, CE-Samsvarserklæring, Batterier, Kjennetegn, Vedlikehold, Symboler                                             | Vennligst les og oppbevar!                                                               | <b>NORSK</b>       | <b>38</b> |
| Tekniska data, Säkerhetsutrustning, Använd maskinen Enligt anvisningarna, CE-Försäkran, Batterier, Kännemärke, Skötsel, Symboler                                                   | Var god läs och tag tillvara dessa instruktioner!                                        | <b>SVENSKA</b>     | <b>40</b> |
| Tekniset arvot, Turvallisuusohjeet, Tarkoituksenmukainen käyttö, Todistus CE-standardinmukaisuudesta, Akku, Ominaisuudet, Huolto, Symbolit                                         | Lue ja säilytö!                                                                          | <b>SUOMI</b>       | <b>42</b> |
| Τεχνικά στοιχεία, Ειδικά υποδείξεις ασφαλείας, Χρήση σύμφωνα με το σκοπό προορισμού, Δήλωση πιστοποίησης εκ, Μπαταρίες, Χαρακτηριστικά, Συντήρηση, Σύμβολα                         | Παρακαλώ διαβάστε τις και φυλάξτε τις!                                                   | <b>ΕΛΛΗΝΙΚΑ</b>    | <b>44</b> |
| Teknik veriler, Güvenliğinizi için talimatlar, Kullanım, CE uygunluk beyanince, Akü, Özellikler, Bakım, Semboller                                                                  | Lütfen okuyun ve saklayın                                                                | <b>TÜRKÇE</b>      | <b>46</b> |
| Technická data, Speciální bezpečnostní upozornění, Oblast využití, Ce-prohlášení o shodě, Akumulátory, Upozornění, Údržba, Symboly                                                 | Po přečtení uschovejte                                                                   | <b>ČESKY</b>       | <b>48</b> |
| Technické údaje, Speciálne bezpečnostné pokyny, Použitie podľa predpisov, CE-Vyhlasenie konformity, Akumulátory, Znaky, Údržba, Symboly                                            | Prosím prečítať a uschovať!                                                              | <b>SLOVENSKY</b>   | <b>50</b> |
| Dane techniczne, Specjalne zalecenia dotyczace bezpieczerstwa, Uzytkowanie zgodnie z przeznaczeniem, Swiadcstwo zgodnosci ce, Bateria akumulatorowe, Wlasnosci, Gwarancja, Symbole | Prosimy o uwazne przeczytanie i przestrzeganie zalecen zamie szczonych w tej instrukcji. | <b>POLSKI</b>      | <b>52</b> |
| Műszaki adatok, Különleges biztonsági tudnivalók, Rendeltetésszerű használat, Ce-azonossági nyilatkozat, Akkuk, Jellegzetességek, Karbantartás, Szimbólumok                        | Olvassa el és őrizze meg                                                                 | <b>MAGYAR</b>      | <b>54</b> |
| Tehnični podatki, Specialni varnostni napotki, Uporaba v skladu z namembnostjo, Ce-izjava o konformnosti, Akumulatorji, Značilnosti, Vzdrževanje, Simboli                          | Prosimo preberite in shranite!                                                           | <b>SLOVENSKO</b>   | <b>56</b> |
| Tehnički podaci, Specijalne sigurnosne upute, Propisna upotreba, CE-Izjava konformnosti, Baterije, Obilježja, Održavanje, Simboli                                                  | Molimo pročitati i sačuvati                                                              | <b>HRVATSKI</b>    | <b>58</b> |
| Tehniskie dati, Speciālie drošības noteikumi, Noteikumiem atbilstošs izmantojums, Atbilstība CE normām, Akumulātori, Pazīmes, Apkope, Simboli                                      | Pielikums lietošanas pamācībai                                                           | <b>LATVISKI</b>    | <b>60</b> |
| Tehniniai duomenys, Ypatingos saugumo nuorodos, Naudojimas pagal paskirtį, CE Atitikties pareiškimas, Akumulatoriai, Požymiai, Techninis aptarnavimas, Simboliai                   | Prašome perskaityti ir neišmesti!                                                        | <b>LIETUVIŠKAI</b> | <b>62</b> |
| Tehnilised andmed, Spetsiaalsed turvajuhised, Kasutamise vastavalt otstarbele, EÜ Vastavusavaldus, Akud, Tunnused, Hooldus, Sümbolid                                               | Palun lugege läbi ja hoidke alal!                                                        | <b>EESTI</b>       | <b>64</b> |
| Технические данные, Рекомендации по технике безопасности, Использование, Аккумулятор, Характеристики, Обслуживание, Символы                                                        | Пожалуйста, прочтите и сохраните настоящую инструкцию                                    | <b>РУССКИЙ</b>     | <b>66</b> |
| Технически данни, Специални указания за безопасност, Използване по предназначение, CE-Декларация за съответствие, Аккумулятори, Характеристики, Поддръжка, Символи                 | Моля прочетете и запазете!                                                               | <b>БЪЛГАРСКИ</b>   | <b>68</b> |
| Date tehnice, Instrucțiuni de securitate, Condiții de utilizare specificate, Declarație de conformitate, Alimentare de la rețea, Caracteristici, Intreținere, Simboluri            | Va rugăm citiți și păstrați aceste instrucțiuni                                          | <b>ROMÂNIA</b>     | <b>70</b> |
| Технички Податоци, Упатство За Употреба, Специфицирани Услови На Употреба, Еу-декларација За Сообразност, Батерии, Карактеристики, Одржување, Символи                              | Ве молиме прочитајте го и чувајте го ова упатство!                                       | <b>МАКЕДОНСКИ</b>  | <b>72</b> |
| 技术数据, 特殊安全指示, 正确地使用机器, 欧洲安全规定说明, 蓄电池, 特点, 维修, 符号                                                                                                                                   | 请仔细阅读并妥善保存!                                                                              | <b>中文</b>          | <b>74</b> |



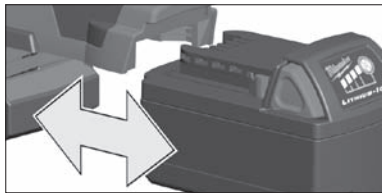
Remove the battery pack before starting any work on the machine.  
 Vor allen Arbeiten an der Maschine den Wechselakku herausnehmen  
 Avant tous travaux sur la machine retirer l'accu interchangeable.  
 Prima di iniziare togliere la batteria dalla macchina.  
 Retire la batería antes de comenzar cualquier trabajo en la máquina.  
 Antes de efectuar cualquier intervención en la máquina retirar o bloco acumulador.

Voor alle werkzaamheden aan de machine de akku verwijderen.  
 Ved arbejde inden i maskinen, bør batteriet tages ud.  
 Ta ut vekselbatteriet før du arbeider på maskinen.  
 Drag ur batteripaket innan arbete utföres på maskinen.  
 Ota akku pois ennen kaikkia koneeseen tehtäviä toimenpiteitä.  
 Πριν από κάθε εργασία στη μηχανή αφαιρέστε την ανταλλακτική μπαταρία.  
 Aletin kendingde bir çalışma yapmadan önce kartuş aküyü çıkarın.

Před zahájením veškerých prací na vrtacím šroubováku vymnout výměnný akumulátor.  
 Pred każdą pracou na stroji výměnný akumulátor vytiahnuť.  
 Przed przystąpieniem do jakichkolwiek prac na elektronarzędziu należy wyjąć wkładkę aku mulatorową.  
 Karbantartás, javítás, tisztítás, stb. előtt az akkumulátort ki kell venni a készülékből.  
 Pred deli na stroju izvlécite izmenljivi akumulator.  
 Prije svih radova na stroju izvaditi bateriju za zamjenu.  
 Pirms mašīnai veikt jebkāda veida apkopes darbus, ir jāizņem arī akumulātors.

Prieš atlikdami bet kokius darbus įrenginyje, išimkite keičiamą akumuliatorių.  
 Enne kõiki töid masina kallal võtke vahetatav aku välja.  
 Выньте аккумулятор из машины перед проведением с ней каких-либо манипуляций.  
 Преди започване на каквото е да е работи по машината извадете акумулатора.  
 Scoateți acumulatorul înainte de a începe orice intervenție pe mașină.  
 在机器上进行任何维护工作之前，先拿出蓄电池。





Remove the battery pack before starting any work on the machine.

Vor allen Arbeiten an der Maschine den Wechselakku herausnehmen

Avant tous travaux sur la machine retirer l'acçu interchangeable.

Prima di iniziare togliere la batteria dalla macchina.

Retire la batería antes de comenzar cualquier trabajo en la máquina.

Antes de efectuar cualquier intervención na máquina retirar o bloco acumulador.

Voor alle werkzaamheden aan de machine de akku verwijderen.

Ved arbejde inden i maskinen, bør batteriet tages ud.

Ta ut vekselbatteriet før du arbeider på maskinen

Drag ur batteripaket innan arbete utföres på maskinen.

Ota akku pois ennen kaikkia koneeseen tehtäviä toimenpiteitä.

Πριν από κάθε εργασία στη μηχανή αφαιρέστε την ανταλλακτική μπαταρία.

Aletin kendinge bir çalışma yapmadan önce kartuş aküyü çıkarn.

Před zahájením veškerých prací na vrtacím šroubováku vyjmout výměnný akumulátor.

Pred každou prácou na stroji výmenný akumulátor vytiahnut.

Przed przystąpieniem do jakichkolwiek prac na elektronarzędziu należy wyjąć wkładkę akumulatorową.

Karbantartás, javítás, tisztítás, stb. előtt az akkumulátort ki kell venni a készülékből.

Pred deli na stroju izvolcite izmenljivi akumulator.

Prije svih radova na stroju izvaditi bateriju za zamjenu.

Pirms mašīnai veikt jebkāda veida apkopes darbus, ir jāizņem arī akumulātors.

Prieš atlikdami bet kokius darbus įrenginyje, išimkite keičiamą akumuliatorių.

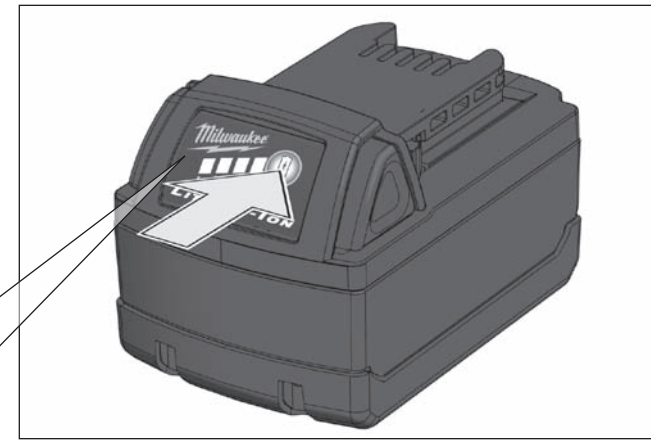
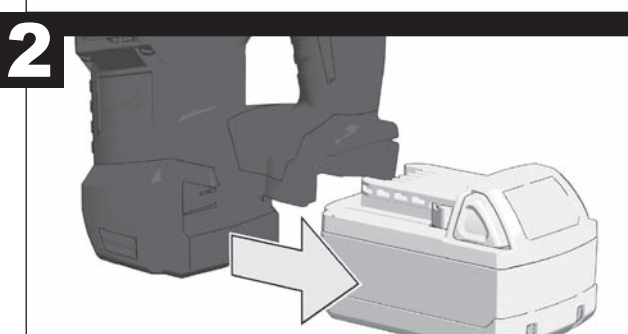
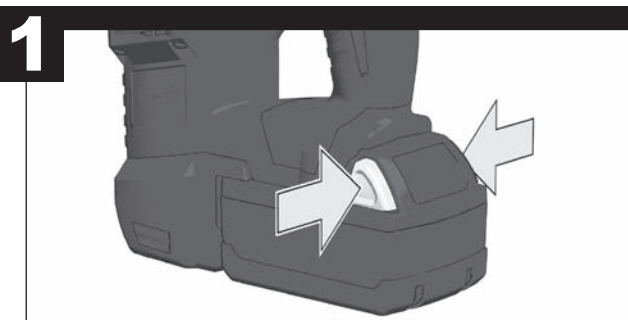
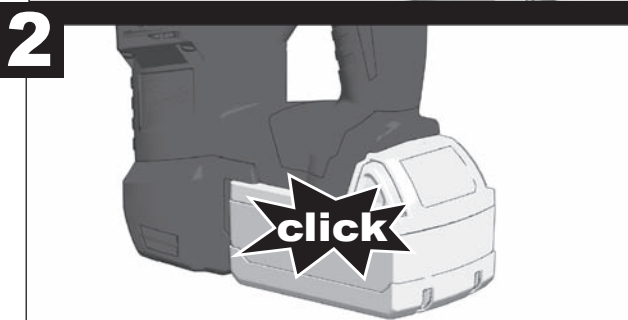
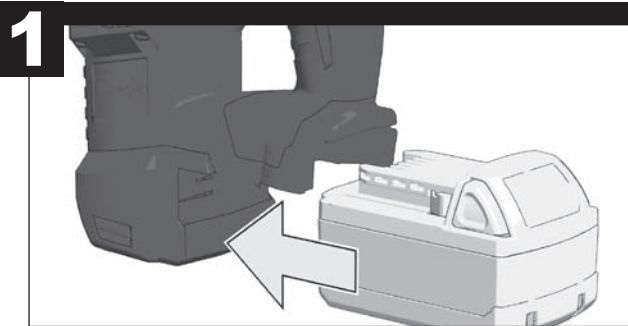
Enne kõiki töid masina kallal võtke vahetatava aku välja.

Виньте аккумулятор из машины перед проведением с ней каких-либо манипуляций.

Преди започване на каквито е да е работи по машината извадете акумулатора.

Scoateți acumulatorul înainte de a începe orice intervenție pe mașină.

在机器上进行任何维护工作之前，先拿出蓄电池。



78-100 %



55-77 %



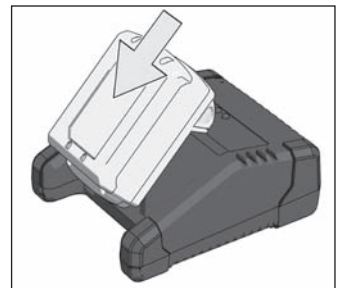
33-54 %



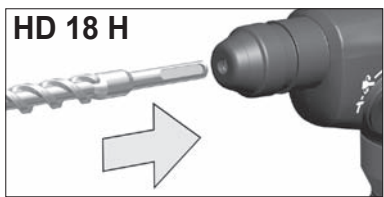
10-32 %



< 10 %



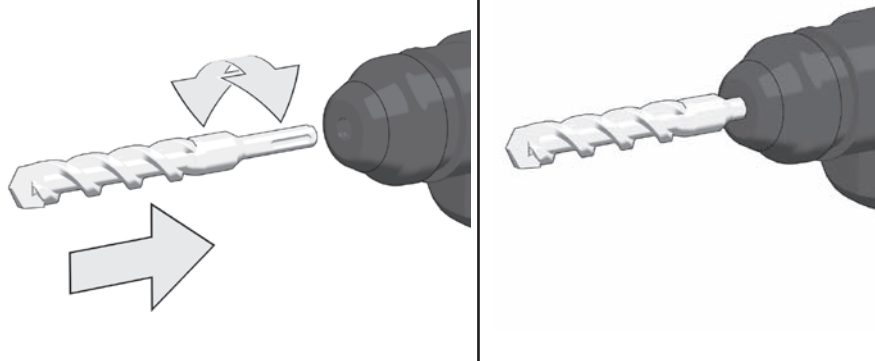
HD 18 H



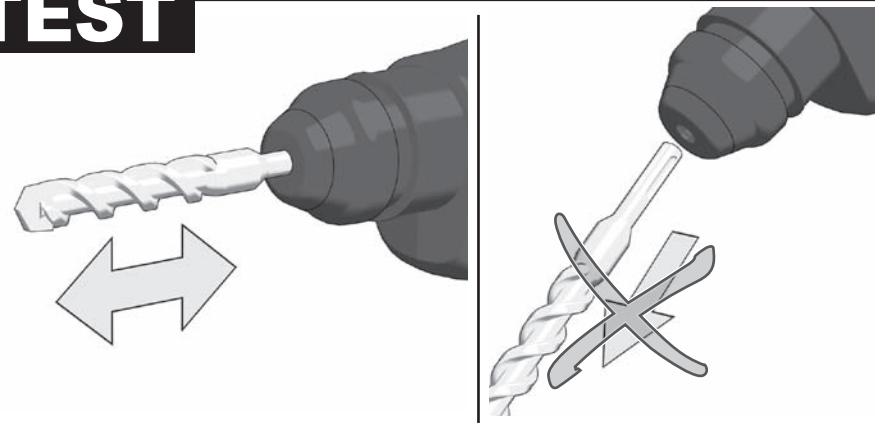
1



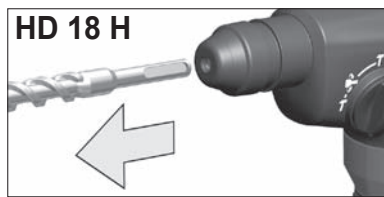
2



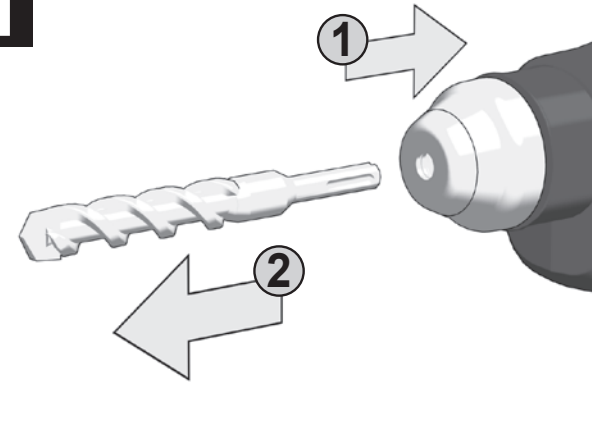
TEST



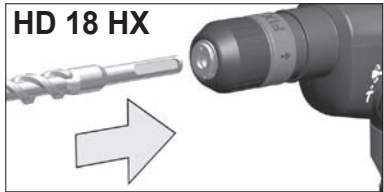
HD 18 H



1







**1**

**click**

**2**

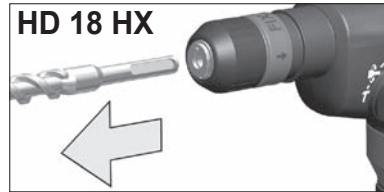
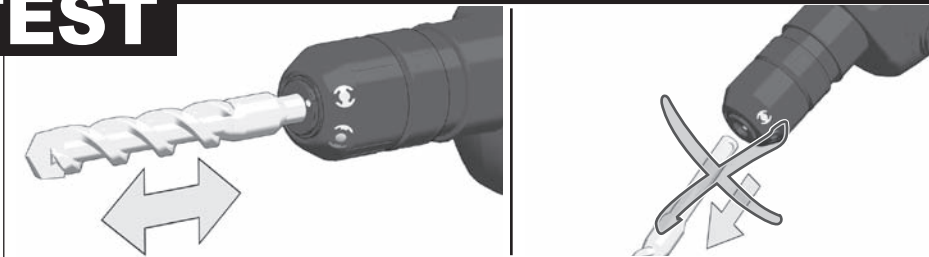


**3**

**4**

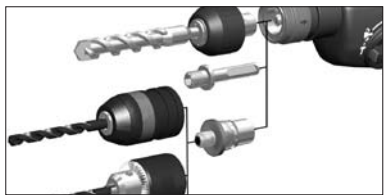
**click**

**TEST**

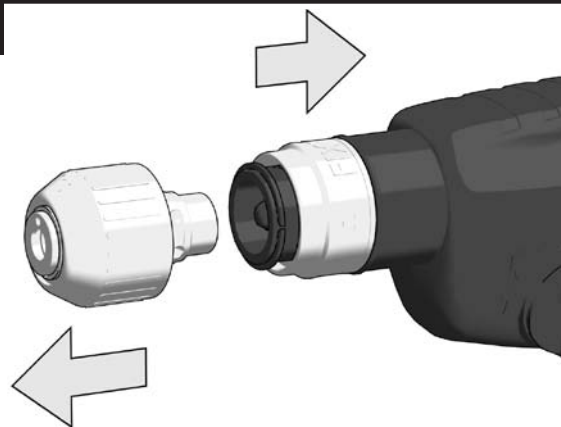


**1**

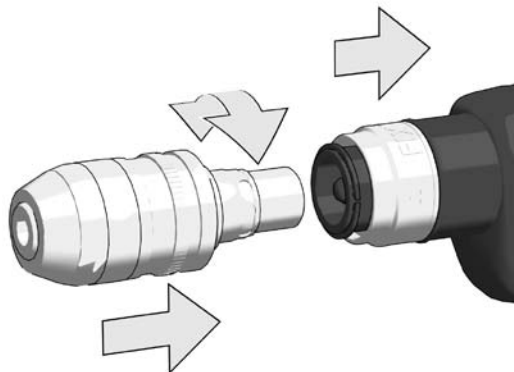
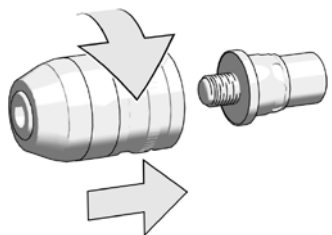
**2**



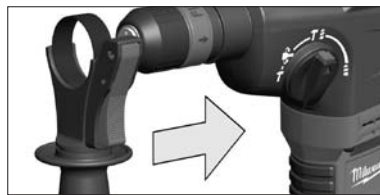
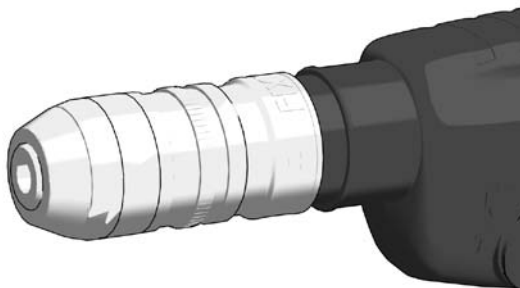
**1**



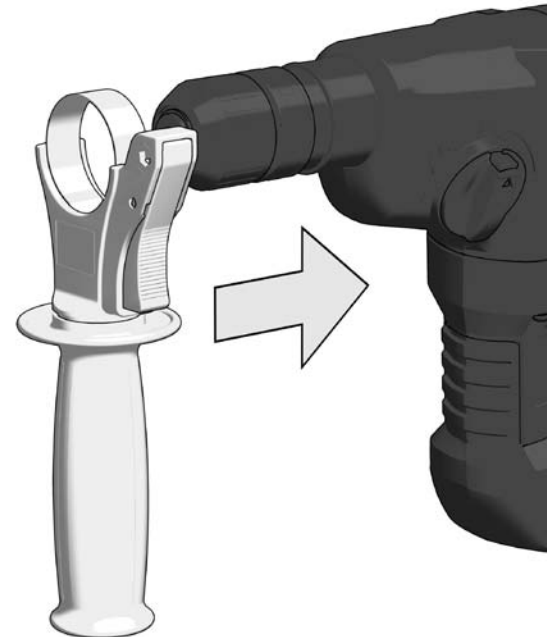
**2**



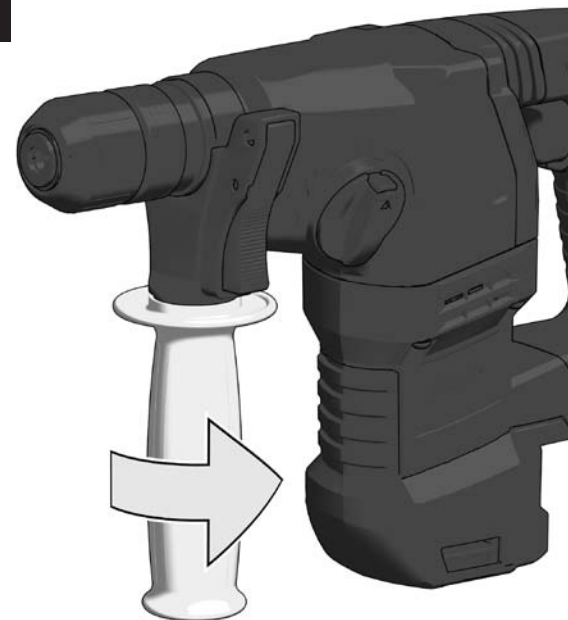
**3**

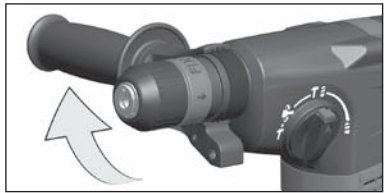


**1**

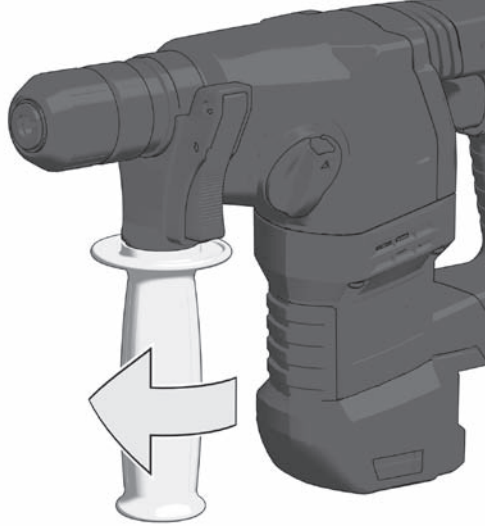


**2**

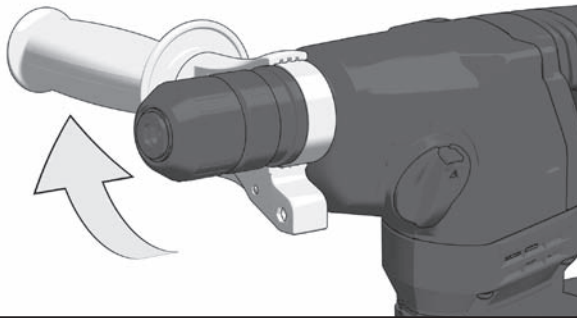




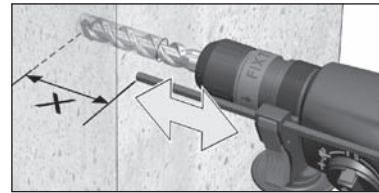
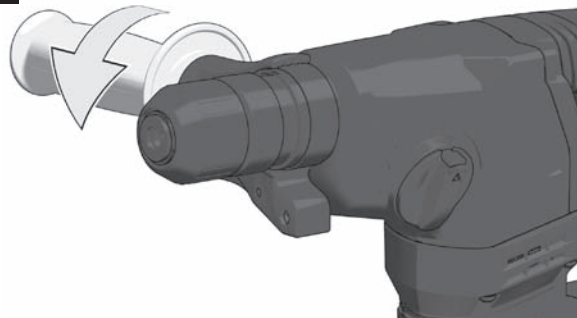
**1**



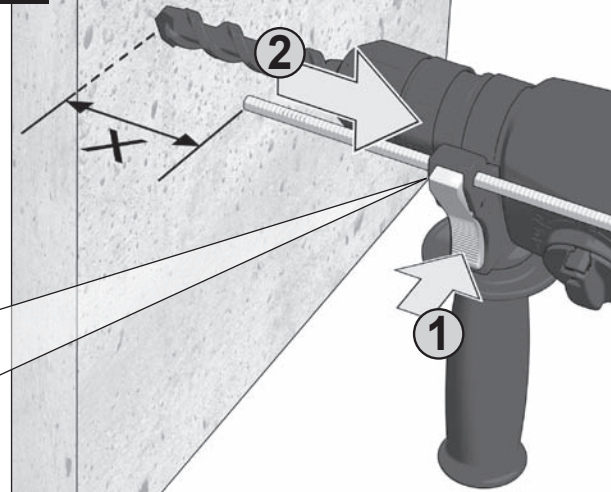
**2**



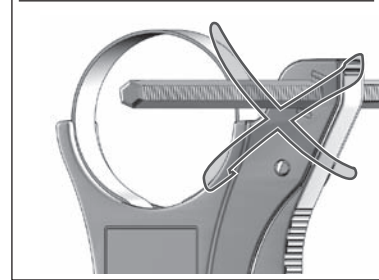
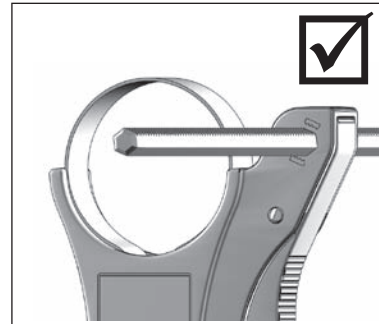
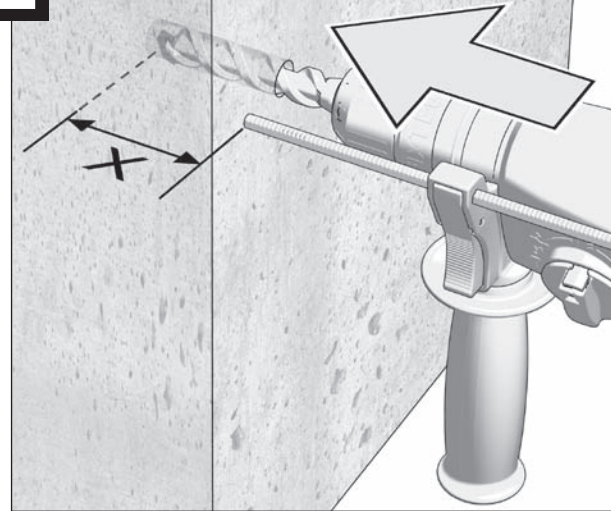
**3**



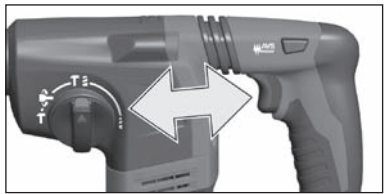
**1**



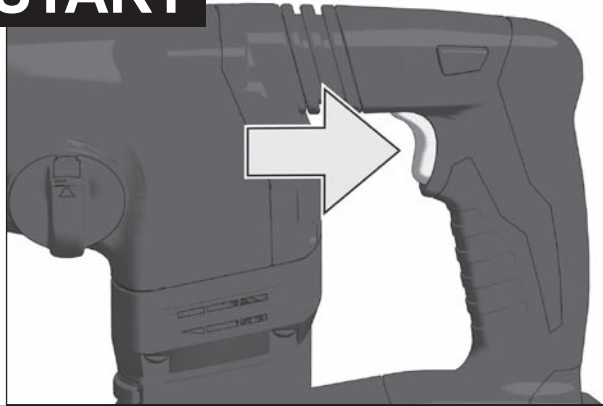
**2**







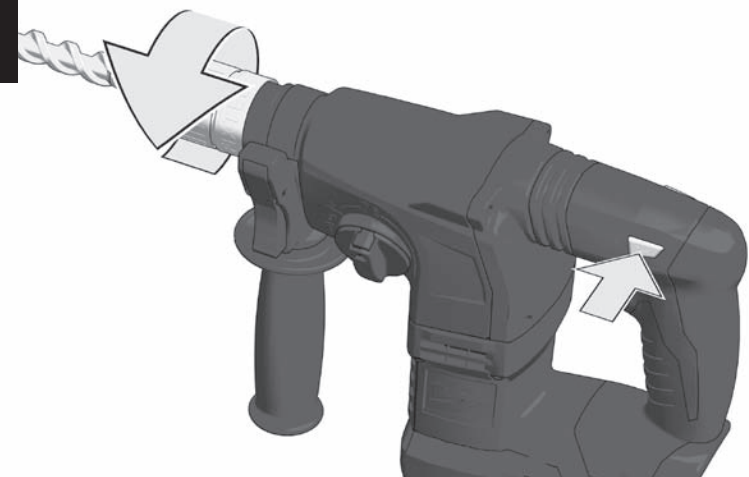
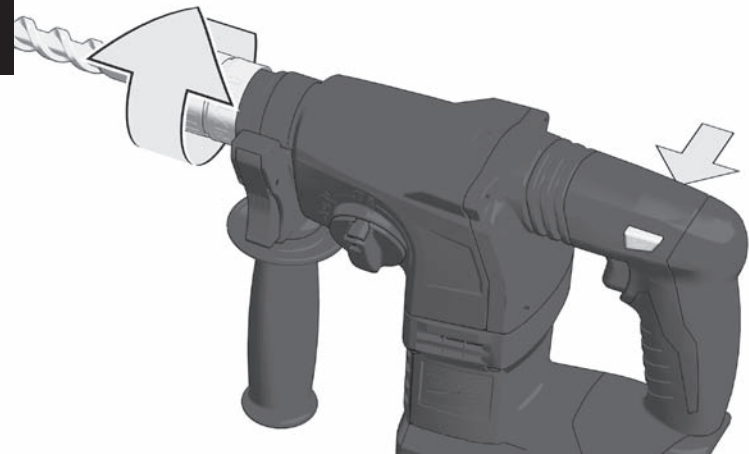
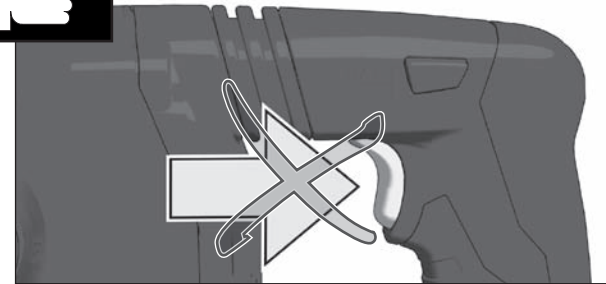
**START**

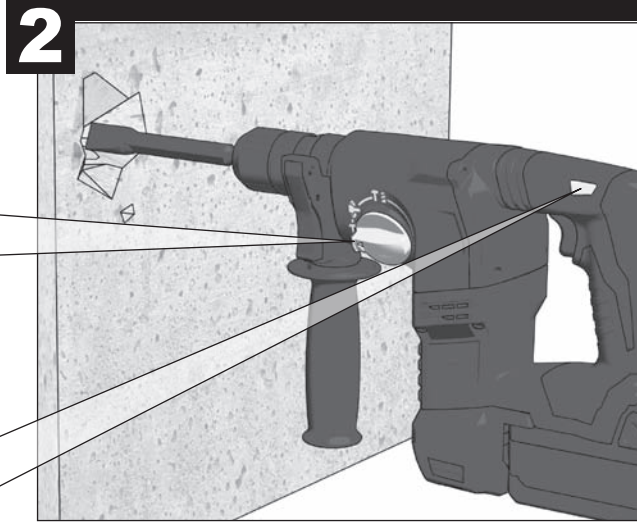
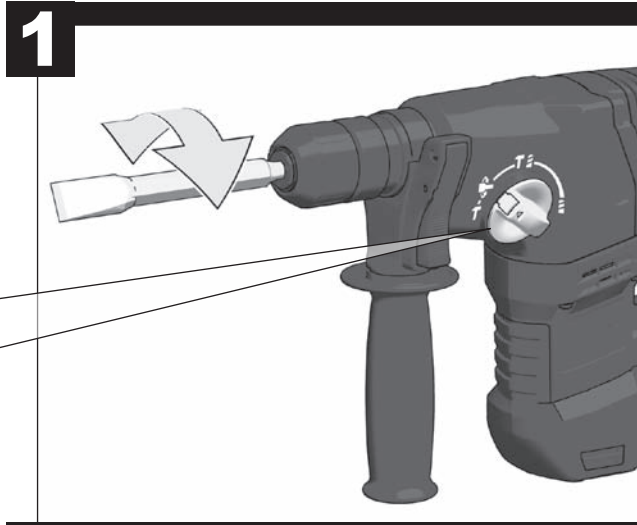
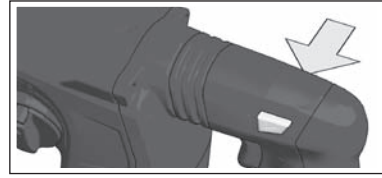
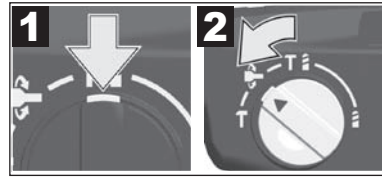
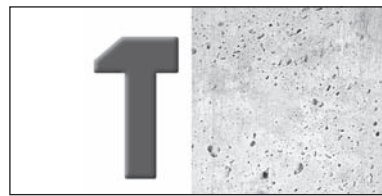
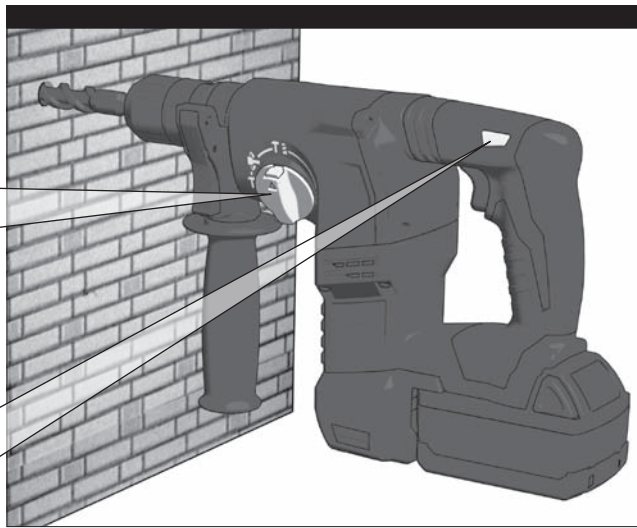
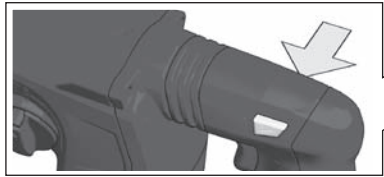
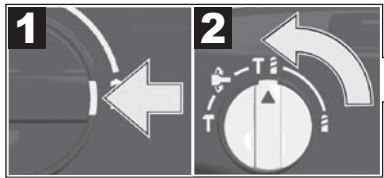
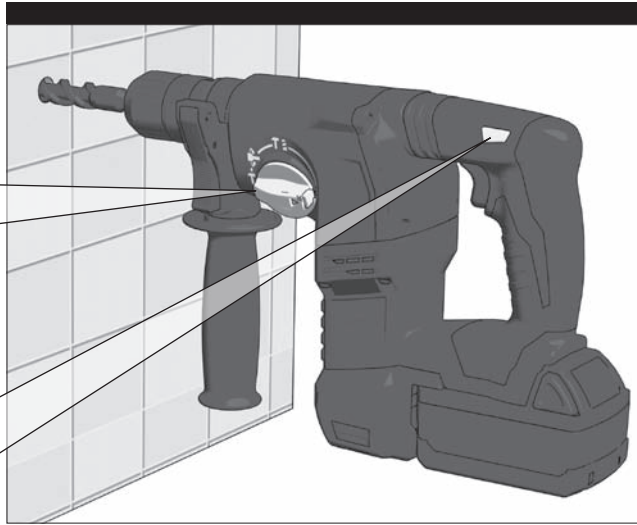
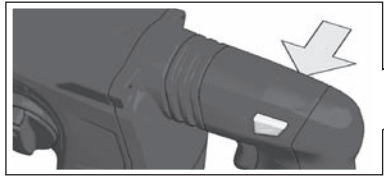
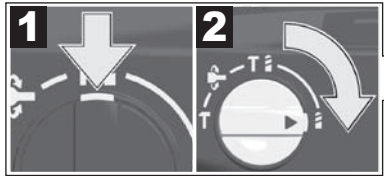
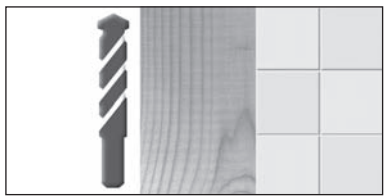


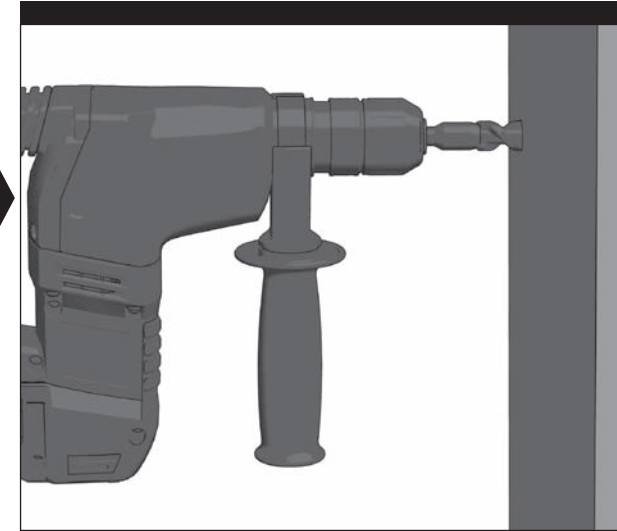
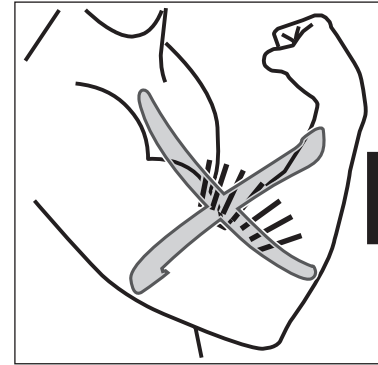
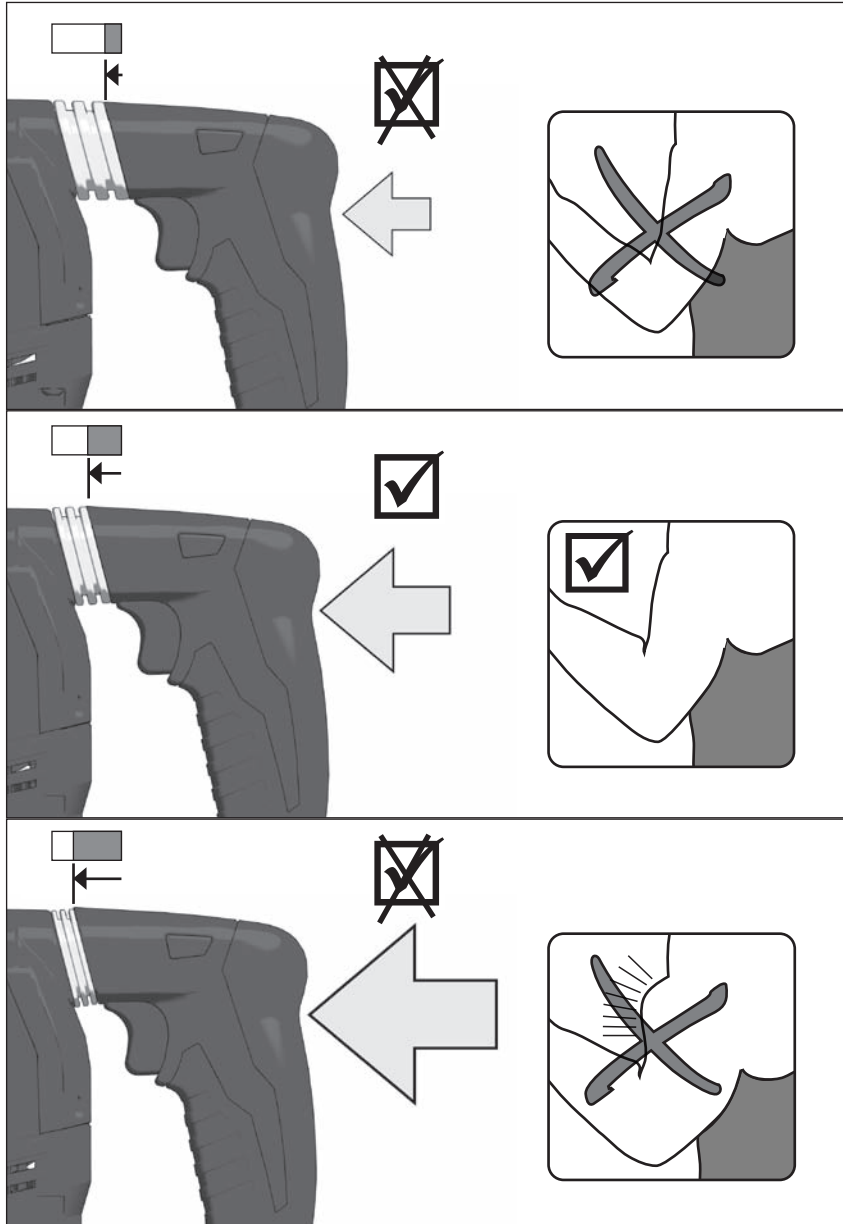
**STOP**



**STOP**







**TECHNICAL DATA** Cordless Rotary Hammer HD 18 H HD 18 HX

|                                                |                                |                          |
|------------------------------------------------|--------------------------------|--------------------------|
| Drilling capacity in concrete.....             | 24 mm.....                     | 24 mm                    |
| Drilling capacity in steel.....                | 13 mm.....                     | 13 mm                    |
| Drilling capacity in wood.....                 | 30 mm.....                     | 30 mm                    |
| Light core cutter in bricks and limestone..... | 50 mm.....                     | 50 mm                    |
| No-load speed.....                             | 1400 min <sup>-1</sup> .....   | 1400 min <sup>-1</sup>   |
| Rate of percussion under load.....             | 0-4200 min <sup>-1</sup> ..... | 0-4200 min <sup>-1</sup> |
| Single impact energy.....                      | 2,4 J.....                     | 2,4 J                    |
| Chuck neck diameter.....                       | 43 mm.....                     | 43 mm                    |
| Battery.....                                   | Li-Ion.....                    | Li-Ion                   |
| Battery voltage.....                           | 18 V ==.....                   | 18 V ==                  |
| Weight according EPTA-Procedure 01/2003.....   | 3,5 kg.....                    | 3,7 kg                   |

**Noise/Vibration Information**

Measured values determined according to EN 60745.

Typically, the A-weighted noise levels of the tool are:

|                                       |                |           |
|---------------------------------------|----------------|-----------|
| Sound pressure level (K=3 dB(A))..... | 88 dB (A)..... | 88 dB (A) |
| Sound power level (K=3 dB(A)).....    | 99 dB (A)..... | 99 dB (A) |

**Wear ear protection!**

Total vibration values (vector sum in the three axes) determined according to EN 60745:

|                                                                            |                             |                       |
|----------------------------------------------------------------------------|-----------------------------|-----------------------|
| Hammer-drilling in concrete: vibration emission value a <sub>h</sub> ..... | 12,2 m/s <sup>2</sup> ..... | 12,2 m/s <sup>2</sup> |
| Uncertainty K = .....                                                      | 1,5 m/s <sup>2</sup> .....  | 1,5 m/s <sup>2</sup>  |
| Chiselling: vibration emission value a <sub>h</sub> .....                  | 7,4 m/s <sup>2</sup> .....  | 7,4 m/s <sup>2</sup>  |
| Uncertainty K = .....                                                      | 1,5 m/s <sup>2</sup> .....  | 1,5 m/s <sup>2</sup>  |

**WARNING**

The vibration emission level given in this information sheet has been measured in accordance with a standardised test given in EN 60745 and may be used to compare one tool with another. It may be used for a preliminary assessment of exposure.

The declared vibration emission level represents the main applications of the tool. However if the tool is used for different applications, with different accessories or poorly maintained, the vibration emission may differ. This may significantly increase the exposure level over the total working period.

An estimation of the level of exposure to vibration should also take into account the times when the tool is switched off or when it is running but not actually doing the job. This may significantly reduce the exposure level over the total working period.

Identify additional safety measures to protect the operator from the effects of vibration such as: maintain the tool and the accessories, keep the hands warm, organisation of work patterns.

**⚠ WARNING! Read all safety warnings and all instructions, including those given in the accompanying brochure.** Failure to follow the warnings and instructions may result in electric shock, fire and/or serious injury. **Save all warnings and instructions for future reference.**

**SAFETY INSTRUCTIONS**

**Wear ear protectors.** Exposure to noise can cause hearing loss.

**Use auxiliary handles supplied with the tool.** Loss of control can cause personal injury.

**Hold power tool by insulated gripping surfaces, when performing an operation where the cutting accessory may contact hidden wiring.** Cutting accessory contacting a „live“ wire may make exposed metal parts of the power tool „live“ and could give the operator an electric shock.

Always wear goggles when using the machine. It is recommended to wear gloves, sturdy non slipping shoes and apron.

Sawdust and splinters must not be removed while the machine is running.

The dust produced when using this tool may be harmful to health. Do not inhale the dust. Wear a suitable dust protection mask.

Remove the battery pack before starting any work on the machine.

Do not dispose of used battery packs in the household refuse or by burning them. Milwaukee Distributors offer to retrieve old batteries to protect our environment.

Do not store the battery pack together with metal objects (short circuit risk).

Use only System Milwaukee 18 V chargers for charging System Milwaukee 18 V battery packs. Do not use battery packs from other systems.

Never break open battery packs and chargers and store only in dry rooms. Keep dry at all times.

Battery acid may leak from damaged batteries under extreme load or extreme temperatures. In case of contact with battery acid wash it off immediately with soap and water. In case of eye contact rinse thoroughly for at least 10 minutes and immediately seek medical attention.

No metal parts must be allowed to enter the battery section of the charger (short circuit risk).

**SPECIFIED CONDITIONS OF USE**

The battery rotary pneumatic hammer may be used for hammer drilling and drilling in wood, metal as well as plastic for independent use away from mains supply.

Do not use this product in any other way as stated for normal use.

**EC-DECLARATION OF CONFORMITY**

We declare under our sole responsibility that this product is in conformity with the following standards or standardized documents.

EN 60745-1:2009 + A11:2010  
 EN 60745-2-6:2010  
 EN 55014-1:2006 + A1:2009 + A2:2011  
 EN 55014-2:1997 + A1:2001 + A2:2008  
 in accordance with the regulations  
 2011/65/EU (RoHS)  
 2006/42/EC  
 2004/108/EC



Winnenden, 2012-08-02

*Rainer Kumpf*

Rainer Kumpf  
 Director Product Development

Authorized to compile the technical file

**BATTERIES**

New battery packs reach full loading capacity after 4 - 5 chargings and dischargings. Battery packs which have not been used for some time should be recharged before use.

Temperatures in excess of 50°C (122°F) reduce the performance of the battery pack. Avoid extended exposure to heat or sunshine (risk of overheating).

The contacts of chargers and battery packs must be kept clean.

For an optimum life-time, the battery packs have to be fully charged, after used.

To obtain the longest possible battery life remove the battery pack from the charger once it is fully charged.

For battery pack storage longer than 30 days:  
 Store the battery pack where the temperature is below 27°C and away from moisture

Store the battery packs in a 30% - 50% charged condition  
 Every six months of storage, charge the pack as normal.

**BATTERY PACK PROTECTION**

In extremely high torque, binding, stalling and short circuit situations that cause high current draw, the tool will vibrate for about 5 seconds, the fuel gauge will flash, and then the tool will turn OFF. To reset, release the trigger.

Under extreme circumstances, the internal temperature of the battery pack could raise too much. If this happens, the fuel gauge will flash until the battery pack cooled down. After the lights go off, the work may continue.

**MAINTENANCE**

The ventilation slots of the machine must be kept clear at all times.

Important note! If the carbon brushes are worn, in addition to exchanging the brushes the tool should be sent to after-sales service. This will ensure long service life and top performance.

Use only Milwaukee accessories and Milwaukee spare parts. Should components need to be replaced which have not been described, please contact one of our Milwaukee service agents (see our list of guarantee/service addresses).

If needed, an exploded view of the tool can be ordered. Please state the Article No. as well as the machine type printed on the label and order the drawing at your local service agents or directly at: Milwaukee Electric Tool, Max-Eyth-Straße 10, D-71364 Winnenden, Germany.

**SYMBOLS**



Please read the instructions carefully before starting the machine.



Accessory - Not included in standard equipment, available as an accessory.



Remove the battery pack before starting any work on the machine.



Do not dispose of electric tools together with household waste material! In observance of European Directive 2002/96/EC on waste electrical and electronic equipment and its implementation in accordance with national law, electric tools that have reached the end of their life must be collected separately and returned to an environmentally compatible recycling facility.



## TECHNISCHE DATEN Akku-Bohrhammer HD 18 H HD 18 HX

|                                                   |                          |                          |
|---------------------------------------------------|--------------------------|--------------------------|
| Bohr-Ø in Beton .....                             | 24 mm                    | 24 mm                    |
| Bohr-Ø in Stahl.....                              | 13 mm                    | 13 mm                    |
| Bohr-Ø in Holz.....                               | 30 mm                    | 30 mm                    |
| Leichtbohrkrone in Ziegel und Kalksandstein ..... | 50 mm                    | 50 mm                    |
| Leerlaufdrehzahl.....                             | 1400 min <sup>-1</sup>   | 1400 min <sup>-1</sup>   |
| Lastschlagzahl.....                               | 0-4200 min <sup>-1</sup> | 0-4200 min <sup>-1</sup> |
| Einzel Schlagenergie .....                        | 2,4 J                    | 2,4 J                    |
| Spannhals-Ø .....                                 | 43 mm                    | 43 mm                    |
| Akku.....                                         | Li-Ion                   | Li-Ion                   |
| Spannung Wechselakku .....                        | 18 V                     | 18 V                     |
| Gewicht nach EPTA-Prozedur 01/2003.....           | 3,5 kg                   | 3,7 kg                   |

### Geräusch/Vibrationsinformation

Messwerte ermittelt entsprechend EN 60 745.

Der A-bewertete Geräuschpegel des Gerätes beträgt

typischerweise:

|                                      |           |           |
|--------------------------------------|-----------|-----------|
| Schalldruckpegel (K=3dB(A)).....     | 88 dB (A) | 88 dB (A) |
| Schallleistungspegel (K=3dB(A))..... | 99 dB (A) | 99 dB (A) |

### Gehörschutz tragen!

Schwingungsgesamtwerte (Vektorsumme dreier Richtungen)

ermittelt entsprechend EN 60745.

Hammerbohren in Beton: Schwingungsemissionswert  $a_{h,v}$ ..... 12,2 m/s<sup>2</sup>..... 12,2 m/s<sup>2</sup>

Unsicherheit K = ..... 1,5 m/s<sup>2</sup>..... 1,5 m/s<sup>2</sup>

Meißeln: Schwingungsemissionswert  $a_{h,v}$ ..... 7,4 m/s<sup>2</sup>..... 7,4 m/s<sup>2</sup>

Unsicherheit K = ..... 1,5 m/s<sup>2</sup>..... 1,5 m/s<sup>2</sup>

## WARNUNG

Der in diesen Anweisungen angegebene Schwingungspegel ist entsprechend einem in EN 60745 genormten Messverfahren gemessen worden und kann für den Vergleich von Elektrowerkzeugen miteinander verwendet werden. Er eignet sich auch für eine vorläufige Einschätzung der Schwingungsbelastung.

Der angegebene Schwingungspegel repräsentiert die hauptsächlichen Anwendungen des Elektrowerkzeugs. Wenn allerdings das Elektrowerkzeug für andere Anwendungen, mit abweichenden Einsatzwerkzeugen oder ungenügender Wartung eingesetzt wird, kann der Schwingungspegel abweichen. Dies kann die Schwingungsbelastung über den gesamten Arbeitszeitraum deutlich erhöhen.

Für eine genaue Abschätzung der Schwingungsbelastung sollten auch die Zeiten berücksichtigt werden, in denen das Gerät abgeschaltet ist oder zwar läuft, aber nicht tatsächlich im Einsatz ist. Dies kann die Schwingungsbelastung über den gesamten Arbeitszeitraum deutlich reduzieren.

Legen Sie zusätzliche Sicherheitsmaßnahmen zum Schutz des Bedieners vor der Wirkung von Schwingungen fest wie zum Beispiel: Wartung von Elektrowerkzeug und Einsatzwerkzeugen, Warmhalten der Hände, Organisation der Arbeitsabläufe.

**⚠️ WARNUNG! Lesen Sie alle Sicherheitshinweise und Anweisungen, auch die in der beiliegenden Broschüre.** Versäumnisse bei der Einhaltung der Sicherheitshinweise und Anweisungen können elektrischen Schlag, Brand und/oder schwere Verletzungen verursachen.  
**Bewahren Sie alle Sicherheitshinweise und Anweisungen für die Zukunft auf.**

## SPEZIELLE SICHERHEITSHINWEISE

**Tragen Sie Gehörschutz.** Die Einwirkung von Lärm kann Hörverlust bewirken.

**Benutzen Sie die mit dem Gerät gelieferten Zusatzhandgriffe.** Der Verlust der Kontrolle kann zu Verletzungen führen.

**Halten Sie das Gerät an den isolierten Griffflächen, wenn Sie Arbeiten ausführen, bei denen das Einsatzwerkzeug verborgene Stromleitungen treffen kann.** Der Kontakt des Schneidwerkzeugs mit einer spannungsführenden Leitung kann metallene Geräteteile unter Spannung setzen und zu einem elektrischen Schlag führen.

Beim Arbeiten mit der Maschine stets Schutzbrille tragen. Schutzhandschuhe, festes und rutschsicheres Schuhwerk und Schürze werden empfohlen.

Späne oder Splitter dürfen bei laufender Maschine nicht entfernt werden.

Beim Arbeiten entstehender Staub ist oft gesundheitsschädlich und sollte nicht in den Körper gelangen. Geeignete Staubschutzmaske tragen.

Vor allen Arbeiten an der Maschine den Wechselakku herausnehmen

Verbrauchte Wechselakkus nicht ins Feuer oder in den Hausmüll werfen. Milwaukee bietet eine umweltgerechte Alt-Wechselakku-Entsorgung an; bitte fragen Sie Ihren Fachhändler.

Wechselakku nicht zusammen mit Metallgegenständen aufbewahren (Kurzschlussgefahr).

Wechselakku des Systems Milwaukee 18 V nur mit Ladegeräten des Systems Milwaukee 18 V laden. Keine Akkus aus anderen Systemen laden.

Wechselakku und Ladegeräte nicht öffnen und nur in trockenen Räumen lagern. Vor Nässe schützen.

Unter extremer Belastung oder extremer Temperatur kann aus beschädigten Wechselakkus Batterieflüssigkeit auslaufen. Bei Berührung mit Batterieflüssigkeit sofort mit Wasser und Seife abwaschen. Bei Augenkontakt sofort mindestens 10 Minuten gründlich spülen und unverzüglich einen Arzt aufsuchen.

In den Wechselakku-Einschubschacht der Ladegeräte dürfen keine Metallteile gelangen (Kurzschlussgefahr).

## BESTIMMUNGSGEMÄÑE VERWENDUNG

Der Akkubohrhammer ist universell einsetzbar zum Hammerbohren in Gestein und zum Bohren in Holz, Metall und Kunststoff, unabhängig von einem Netzanschluss.

Dieses Gerät darf nur wie angegeben bestimmungsgemäß verwendet werden.

## CE-KONFORMITÄTSERKÄRUNG

Wir erklären in alleiniger Verantwortung, dass dieses Produkt mit den folgenden Normen oder normativen Dokumenten übereinstimmt.

EN 60745-1:2009 + A11:2010

EN 60745-2-6:2010

EN 55014-1:2006 + A1:2009 + A2:2011

EN 55014-2:1997 + A1:2001 + A2:2008

gemäß den Bestimmungen der Richtlinien

2011/65/EU (RoHS)

2006/42/EG

2004/108/EG



Winnenden, 2012-08-02

*Rainer Kumpf*

Rainer Kumpf

Director Product Development

Bevollmächtigt die technischen Unterlagen

zusammenzustellen

## AKKUS

Neue Wechselakkus erreichen ihre volle Kapazität nach 4-5 Lade- und Entladezyklen. Längere Zeit nicht benutzte Wechselakkus vor Gebrauch nachladen.

Eine Temperatur über 50°C vermindert die Leistung des Wechselakkus. Längere Erwärmung durch Sonne oder Heizung vermeiden.

Die Anschlusskontakte an Ladegerät und Wechselakku sauber halten.

Für eine optimale Lebensdauer müssen nach dem Gebrauch die Akkus voll geladen werden.

Für eine möglichst lange Lebensdauer sollten die Akkus nach dem Aufladen aus dem Ladegerät entfernt werden.

Bei Lagerung des Akkus länger als 30 Tage:

Akku bei ca. 27°C und trocken lagern.

Akku bei ca. 30%-50% des Ladezustandes lagern.

Akku alle 6 Monate erneut aufladen.

## AKKUÜBERLASTSCHUTZ

Bei Überlastung des Akkus durch sehr hohen Stromverbrauch, z.B. extrem hohe Drehmomente, Verklemmen des Bohrers, plötzlichem Stopp oder Kurzschluss, vibriert das Elektrowerkzeug 5 Sekunden lang, die Ladeanzeige blinkt und das Elektrowerkzeug schaltet sich selbstständig ab.

Zum Wiedereinschalten, den Schalterdrücker loslassen und dann wieder einschalten.

Unter extremen Belastungen erhitzt sich der Akku zu stark. In diesem Fall blinken alle Lampen der Ladeanzeige bis der Akku abgekühlt ist. Nach Erlöschen der Ladeanzeige kann weitergearbeitet werden.

## WARTUNG

Stets die Lüftungsschlitze der Maschine sauber halten.

Bei abgenutzten Kohlebürsten sollte zusätzlich zum Kohlebürstenwechsel ein Kundendienst in einer Servicewerkstatt durchgeführt werden. Dies erhöht die Lebensdauer der Maschine und garantiert eine ständige Betriebsbereitschaft.

Nur Milwaukee Zubehör und Milwaukee Ersatzteile verwenden. Bauteile, deren Austausch nicht beschrieben wurde, bei einer Milwaukee Kundendienststelle auswechseln lassen (Broschüre Garantie/Kundendienstadressen beachten).

Bei Bedarf kann eine Explosionszeichnung des Gerätes unter Angabe der Maschinen Type und der zehnstelligen Nummer auf dem Leistungsschild bei Ihrer Kundendienststelle oder direkt bei Milwaukee Electric Tool, Max-Eyth-Straße 10, D-71364 Winnenden, Germany angefordert werden.

## SYMBOLE



Bitte lesen Sie die Gebrauchsanweisung vor Inbetriebnahme sorgfältig durch.



Zubehör - Im Lieferumfang nicht enthalten, empfohlene Ergänzung aus dem Zubehörprogramm.



Vor allen Arbeiten an der Maschine den Wechselakku herausnehmen



Werfen Sie Elektrowerkzeuge nicht in den Hausmüll! Gemäss Europäischer Richtlinie 2002/96/EG über Elektro- und Elektronik-Altgeräte und Umsetzung in nationales Recht müssen verbrauchte Elektrowerkzeuge getrennt gesammelt und einer umweltgerechten Wiederverwertung zugeführt werden.



**CARACTÉRISTIQUES TECHNIQUES**

| Perforateur sans fil                                                       | HD 18 H                  | HD 18 HX                 |
|----------------------------------------------------------------------------|--------------------------|--------------------------|
| Ø de perçage dans le béton.....                                            | 24 mm                    | 24 mm                    |
| Ø de perçage dans acier.....                                               | 13 mm                    | 13 mm                    |
| Ø de perçage dans bois.....                                                | 30 mm                    | 30 mm                    |
| Couronne dentée à percussion pour briques et briques silico-calcaires..... | 50 mm                    | 50 mm                    |
| Vitesse de rotation à vide.....                                            | 1400 min <sup>-1</sup>   | 1400 min <sup>-1</sup>   |
| Perçage à percussions en charge.....                                       | 0-4200 min <sup>-1</sup> | 0-4200 min <sup>-1</sup> |
| Energie de frappe individuelle.....                                        | 2,4 J                    | 2,4 J                    |
| Ø du collier de serrage.....                                               | 43 mm                    | 43 mm                    |
| Type d'accu.....                                                           | Li-Ion                   | Li-Ion                   |
| Tension accu interchangeable.....                                          | 18 V                     | 18 V                     |
| Poids suivant EPTA-Procédure 01/2003.....                                  | 3,5 kg                   | 3,7 kg                   |

**Informations sur le bruit et les vibrations**

Valeurs de mesure obtenues conformément à la EN 60 745.

Les mesures réelles (A) des niveaux acoustiques de l'appareil sont :

|                                                |           |           |
|------------------------------------------------|-----------|-----------|
| Niveau de pression acoustique (K=3 dB(A))..... | 88 dB (A) | 88 dB (A) |
| Niveau d'intensité acoustique (K=3 dB(A))..... | 99 dB (A) | 99 dB (A) |

**Toujours porter une protection acoustique!**

Valeurs totales des vibrations (somme vectorielle de trois sens) établies conformément à EN 60745.

|                                                                                      |                       |                       |
|--------------------------------------------------------------------------------------|-----------------------|-----------------------|
| Perçage à percussion le béton: valeur d'émission d'oscillations a <sub>v</sub> ..... | 12,2 m/s <sup>2</sup> | 12,2 m/s <sup>2</sup> |
| Incertitude K = .....                                                                | 1,5 m/s <sup>2</sup>  | 1,5 m/s <sup>2</sup>  |
| Burinage: valeur d'émission d'oscillations a <sub>v</sub> .....                      | 7,4 m/s <sup>2</sup>  | 7,4 m/s <sup>2</sup>  |
| Incertitude K = .....                                                                | 1,5 m/s <sup>2</sup>  | 1,5 m/s <sup>2</sup>  |

**AVERTISSEMENT**

Le niveau vibratoire indiqué dans ces instructions a été mesuré selon un procédé de mesure normalisé dans la norme EN 60745 et peut être utilisé pour comparer des outils électriques entre eux. Il convient aussi à une estimation provisoire de la sollicitation par les vibrations.

Le niveau vibratoire indiqué représente les applications principales de l'outil électrique. Toutefois, si l'outil électrique est utilisé pour d'autres applications, avec des outils rapportés qui diffèrent ou une maintenance insuffisante, il se peut que le niveau vibratoire diverge. Cela peut augmenter nettement la sollicitation par les vibrations sur tout l'intervalle de temps du travail.

Pour une estimation précise de la sollicitation par les vibrations, on devrait également tenir compte des temps pendant lesquels l'appareil n'est pas en marche ou tourne sans être réellement en service. Cela peut réduire nettement la sollicitation par les vibrations sur tout l'intervalle de temps du travail.

Définissez des mesures de sécurité supplémentaires pour protéger l'utilisateur contre l'influence des vibrations, comme par exemple: la maintenance de l'outil électrique et des outils rapportés, le maintien au chaud des mains, l'organisation des déroulements de travail.

**AVERTISSEMENT! Lisez toutes les consignes de sécurité et les instructions, même celles qui se trouvent dans la brochure ci-jointe.** Le non-respect des avertissements et instructions indiqués ci après peut entraîner un choc électrique, un incendie et/ou de graves blessures sur les personnes.  
**Bien garder tous les avertissements et instructions.**

**INSTRUCTIONS DE SÉCURITÉ PARTICULIÈRES**

**Portez une protection acoustique.** L'influence du bruit peut provoquer la surdité.

**Utilisez les poignées supplémentaires livrées en même temps que l'appareil.** La perte de contrôle peut mener à des blessures.

**Impugnare l'apparecchio sulle superfici di tenuta isolate mentre si eseguono lavori durante i quali l'utensile da taglio potrebbe entrare in contatto con cavi di corrente.** L'eventuale contatto dell'utensile da taglio con un cavo sotto tensione potrebbe mettere sotto tensione le parti metalliche dell'apparecchio e provocare una folgorazione.

Toujours porter des lunettes protectrices en travaillant avec la machine. Des gants de sécurité, des chaussures solides et à semelles antidérapantes et un tablier sont recommandés.

Ne jamais enlever les copeaux ni les éclats lorsque la machine est en marche.

Les poussières qui sont dégagées pendant les travaux sont souvent nocives pour la santé et ne devraient pas pénétrer dans le corps. Porter un masque de protection approprié contre les poussières.

Avant tous travaux sur la machine retirer l'accu interchangeable.

Ne pas jeter les accus interchangeables usés au feu ou avec les déchets ménagers. Milwaukee offre un système d'évacuation écologique des accus usés.

Ne pas conserver les accus interchangeables avec des objets métalliques (risque de court-circuit)

Ne charger les accus interchangeables du système Milwaukee 18 V qu'avec le chargeur d'accus du système Milwaukee 18 V. Ne pas charger des accus d'autres systèmes.

Ne pas ouvrir les accus interchangeables et les chargeurs et ne les stocker que dans des locaux secs. Les protéger contre l'humidité.

En cas de conditions ou températures extrêmes, du liquide caustique peut s'échapper d'un accu interchangeable endommagé. En cas de contact avec le liquide caustique de la batterie, laver immédiatement avec de l'eau et du savon. En cas de contact avec les yeux, rincer soigneusement avec de l'eau et consulter immédiatement un médecin.

Aucune pièce métallique ne doit pénétrer dans le logement d'accu du chargeur (risque de court-circuit)

**UTILISATION CONFORME AUX PRESCRIPTIONS**

Le marteau-perforateur à accu est conçu pour un travail universel de perçage à percussion dans la maçonnerie, ainsi que pour le perçage du bois, du métal et des matières plastiques.

Comme déjà indiqué, cette machine n'est conçue que pour être utilisée conformément aux prescriptions.

**DECLARATION CE DE CONFORMITÉ**

Nous déclarons sous notre responsabilité que ce produit est en conformité avec les normes ou documents normalisés suivants EN 60745-1:2009 + A11:2010  
EN 60745-2-6:2010  
EN 55014-1:2006 + A1:2009 + A2:2011  
EN 55014-2:1997 + A1:2001 + A2:2008  
conformément aux réglementations 2011/65/EU (RoHS)  
2006/42/CE  
2004/108/CE



Winnenden, 2012-08-02

Rainer Kumpf  
Director Product Development

Autorisé à compiler la documentation technique.

**ACCUS**

Observer les remarques spéciales pour les accus Milwaukee Milwaukee 18 V figurant dans le mode d'emploi du chargeur.

Les nouveaux accus interchangeables atteignent leur pleine capacité après 4-5 cycles de chargement et déchargement. Recharger les accus avant utilisation après une longue période de non utilisation.

Une température supérieure à 50°C amoindrit la capacité des accus. Éviter les expositions prolongées au soleil ou au chauffage.

Tenir propres les contacts des accus et des chargeurs.

Après l'usage, les accus doivent être chargés entièrement pour une durée de vie optimale.

Pour une plus longue durée de vie, enlever les batteries du chargeur de batterie quand celles-ci seront chargées.

En cas d'entreposage de la batterie pour plus de 30 jours: Entreposer la batterie à 27°C environ dans un endroit sec. Entreposer la batterie avec une charge d'environ 30% - 50%. Recharger la batterie tous les 6 mois.

**ENTRETIEN**

Tenir toujours propres les orifices de ventilation de la machine.

Attention! Lorsque les balais (charbons) sont usés, il est recommandé de faire effectuer, outre le changement des balais (charbons), une inspection dans une station de service après-vente. Ceci augmente la durée de vie de la machine et garantit un fonctionnement permanent de la machine.

Utiliser uniquement les accessoires Milwaukee et les pièces détachées Milwaukee. Faire remplacer les composants dont le remplacement n'a pas été décrit, par un des centres de service après-vente Milwaukee (observer la brochure avec les adresses de garantie et de service après-vente).

Si besoin est, une vue éclatée de l'appareil peut être fournie. S'adresser, en indiquant bien le numéro à dix chiffres porté sur la plaque signalétique, à votre station de service après-vente (voir liste jointe) ou directement à Milwaukee Electric Tool, Max-Eyth-Straße 10, D-71364 Winnenden, Germany.

**SYMBOLS**

Veillez lire avec soin le mode d'emploi avant la mise en service



Accessoires - Ces pièces ne font pas partie de la livraison. Il s'agit là de compléments recommandés pour votre machine et énumérés dans le catalogue des accessoires.



Avant tous travaux sur la machine retirer l'accu interchangeable.



Ne pas jeter les appareils électriques dans les ordures ménagères! Conformément à la directive européenne 2002/96/EG relative aux déchets d'équipements électriques ou électroniques (DEEE), et à sa transposition dans la législation nationale, les appareils électriques doivent être collectés à part et être soumis à un recyclage respectueux de l'environnement.

| DATI TECNICI                                               | Tassellatore a batteria  | HD 18 H                  | HD 18 HX                 |
|------------------------------------------------------------|--------------------------|--------------------------|--------------------------|
| Ø Foratura in calcestruzzo .....                           | 24 mm                    | 24 mm                    | 24 mm                    |
| Ø Foratura in acciaio .....                                | 13 mm                    | 13 mm                    | 13 mm                    |
| Ø Foratura in legno .....                                  | 30 mm                    | 30 mm                    | 30 mm                    |
| Corona a forare nel mattone e nell'arenaria calcarea ..... | 50 mm                    | 50 mm                    | 50 mm                    |
| Numero di giri a vuoto .....                               | 1400 min <sup>-1</sup>   | 1400 min <sup>-1</sup>   | 1400 min <sup>-1</sup>   |
| Percussione a pieno carico .....                           | 0-4200 min <sup>-1</sup> | 0-4200 min <sup>-1</sup> | 0-4200 min <sup>-1</sup> |
| Energia percussione unica .....                            | 2,4 J                    | 2,4 J                    | 2,4 J                    |
| Ø Collarino di fissaggio .....                             | 43 mm                    | 43 mm                    | 43 mm                    |
| tipo di batteria .....                                     | Li-Ion                   | Li-Ion                   | Li-Ion                   |
| Tensione batteria .....                                    | 18 V                     | 18 V                     | 18 V                     |
| Peso secondo la procedura EPTA 01/2003 .....               | 3,5 kg                   | 3,5 kg                   | 3,7 kg                   |

#### Informazioni sulla rumorosità/sulle vibrazioni

Valori misurati conformemente alla norma EN 60 745.

La misurazione A del livello di pressione acustica dell'utensile è di solito di:

|                                            |           |           |
|--------------------------------------------|-----------|-----------|
| Livello di rumorosità (K=3 dB(A)) .....    | 88 dB (A) | 88 dB (A) |
| Potenza della rumorosità (K=3 dB(A)) ..... | 99 dB (A) | 99 dB (A) |

#### Utilizzare le protezioni per l'udito!

Valori totali delle oscillazioni (somma di vettori in tre direzioni) misurati conformemente alla norma EN 60745

|                                                                               |                       |                       |
|-------------------------------------------------------------------------------|-----------------------|-----------------------|
| Forare in calcestruzzo: valore di emissione oscillazioni a <sub>h</sub> ..... | 12,2 m/s <sup>2</sup> | 12,2 m/s <sup>2</sup> |
| Incertezza della misura K = .....                                             | 1,5 m/s <sup>2</sup>  | 1,5 m/s <sup>2</sup>  |
| Scalpellare: valore di emissione oscillazioni a <sub>h</sub> .....            | 7,4 m/s <sup>2</sup>  | 7,4 m/s <sup>2</sup>  |
| Incertezza della misura K = .....                                             | 1,5 m/s <sup>2</sup>  | 1,5 m/s <sup>2</sup>  |

#### AVVERTENZA

Il livello di vibrazioni indicato nelle presenti istruzioni è stato misurato in conformità con un procedimento di misurazione codificato nella EN 60745 e può essere utilizzato per un confronto tra attrezzi elettrici. Inoltre si può anche utilizzare per una valutazione preliminare della sollecitazione da vibrazioni.

Il livello di vibrazioni indicato rappresenta le applicazioni principali dell'attrezzo elettrico. Se viceversa si utilizza l'attrezzo elettrico per altri scopi, con accessori differenti o con una manutenzione insufficiente, il livello di vibrazioni può risultare diverso. E questo può aumentare decisamente la sollecitazione da vibrazioni lungo l'intero periodo di lavorazione.

Ai fini di una valutazione precisa della sollecitazione da vibrazioni si dovrebbero tenere presente anche i periodi in cui l'apparecchio rimane spento oppure, anche se acceso, non viene effettivamente utilizzato. Ciò può ridurre notevolmente la sollecitazione da vibrazioni lungo l'intero periodo di lavorazione.

Stabilite misure di sicurezza supplementari per la tutela dell'operatore dall'effetto delle vibrazioni, come ad esempio: manutenzione dell'attrezzo elettrico e degli accessori, riscaldamento delle mani, organizzazione dei processi di lavoro.

**AVVERTENZA! E' necessario leggere tutte le indicazioni di sicurezza e le istruzioni, anche quelle contenute nella brochure allegata.** In caso di mancato rispetto delle avvertenze di pericolo e delle istruzioni operative si potrà creare il pericolo di scosse elettriche, incendi e/o incidenti gravi.

**Conservare tutte le avvertenze di pericolo e le istruzioni operative per ogni esigenza futura.**

#### NORME DI SICUREZZA

**Indossare protezioni acustiche adeguate.** L'esposizione prolungata al rumore senza protezione può causare danni all'udito.

**Utilizzare l'utensile con la sua impugnatura supplementare.** La perdita di controllo potrebbe causare danneggiamenti all'utilizzatore.

**Sujete el aparato de las superficies aisladas de agarre al efectuar trabajos en los cuales la perforadora de percusión pueda entrar en contacto con conductores de corriente ocultos.** El contacto de la perforadora de percusión con un conducto con energía aplicada también podrá poner bajo tensión partes metálicas del aparato y causar un choque eléctrico.

Durante l'uso dell'apparecchio utilizzare sempre gli occhiali di protezione. Inoltre si consiglia di usare sistemi di protezione per la respirazione e per l'udito, oltre ai guanti di protezione.

Non rimuovere trucioli o schegge mentre l'utensile è in funzione.

La polvere che si produce durante il lavoro è spesso dannosa per la salute e non dovrebbe essere aspirata. Portare un'adeguata mascherina protettiva.

Prima di iniziare togliere la batteria dalla macchina.

Non gettare le batterie esaurite sul fuoco o nella spazzatura di casa. La Milwaukee offre infatti un servizio di recupero batterie usate.

Nel vano d'innesto per la batteria del caricatore non devono entrare parti metalliche.(pericolo di cortocircuito).

Le batterie del System Milwaukee 18 V sono ricaricabili esclusivamente con i caricatori del System Milwaukee 18 V . Le batterie di altri sistemi non possono essere ricaricate.

Non aprire nè la batteria nè il caricatore e conservarli solo in luogo asciutto. Proteggerli dalla umidità.

Nel caso di batterie danneggiate da un carico eccessivo o da temperature alte, l'acido di queste potrebbe fuoriuscire. In caso di contatto con l'acido delle batterie lavarsi immediatamente con acqua e sapone. In caso di contatto con gli occhi risciacquare immediatamente con acqua per almeno 10 minuti e contattare subito un medico.

Non conservare le batterie con oggetti metallici (pericolo di cortocircuito).

#### UTILIZZO CONFORME

Il martello perforatore Accu è utilizzabile universalmente per forare a percussione e per forare legno, metallo e materiali sintetici.

Utilizzare il prodotto solo per l'uso per cui è previsto.

#### DICHIARAZIONE DI CONFORMITÀ CE

Dichiariamo, assumendo la piena responsabilità di tale dichiarazione, che il prodotto è conforme alla seguenti normative e ai relativi documenti:

EN 60745-1:2009 + A11:2010  
EN 60745-2-6:2010  
EN 55014-1:2006 + A1:2009 + A2:2011  
EN 55014-2:1997 + A1:2001 + A2:2008  
in base alle prescrizioni delle direttive  
2011/65/EU (RoHS)  
2006/42/CE  
2004/108/CE



Winnenden, 2012-08-02

*Rainer Kumpf*

Rainer Kumpf  
Director Product Development

Autorizzato alla preparazione della documentazione tecnica

#### BATTERIE

Osservare le avvertenze particolari degli accumulatori Milwaukee Milwaukee 18 V Akkus contenuti nel Manuale d'uso del caricatore.

Le batterie nuove raggiungono la loro piena capacità dopo 4-5 cicli di carica e scarica. Batterie non utilizzate per molto tempo devono essere ricaricate prima dell'uso.

A temperature superiori ai 50°C, la potenza della batteria si riduce.

Evitare di esporre l'accumulatore a surriscaldamento prolungato, dovuto ad esempio ai raggi del sole o ad un impianto di riscaldamento.

Per una più lunga durata, rimuovere le batterie dal caricabatterie quando saranno cariche.

In caso di immagazzinaggio della batteria per più di 30 giorni: Immagazzinare la batteria a circa 27°C in ambiente asciutto. Immagazzinare la batteria con carica di circa il 30% - 50%. Ricaricare la batteria ogni 6 mesi.

#### MANUTENZIONE

Tener sempre ben pulite le fessure di ventilazione dell'apparecchio.

Informazione importante! Nel caso che il carboncino si sia consumato oltre il limite di sostituzione è necessario portare l'apparecchio ad un centro di assistenza, onde garantite la massima affidabilità ed efficienza dello stesso.

Usare solo accessori Milwaukee e pezzi di ricambio Milwaukee. Gruppi costruttivi la cui sostituzione non è stata descritta, devono essere fatti cambiare da un punto di servizio di assistenza tecnica al cliente Milwaukee (vedi depliant garanzia/ indirizzi assistenza tecnica ai clienti).

In caso di mancanza del disegno esploso, può essere richiesto al seguente indirizzo: Milwaukee Electric Tool, Max-Eyth-Straße 10, D-71364 Winnenden, Germany.

#### SIMBOLI



Leggere attentamente le istruzioni per l'uso prima di mettere in funzione l'elettroattrezzo.



Accessorio - Non incluso nella dotazione standard, disponibile a parte come accessorio.



Prima di iniziare togliere la batteria dalla macchina.



Non gettare le apparecchiature elettriche tra i rifiuti domestici. Secondo la Direttiva Europea 2002/96/CE sui rifiuti di apparecchiature elettriche ed elettroniche e la sua attuazione in conformità alle norme nazionali, le apparecchiature elettriche esauste devono essere accolte separatamente, al fine di essere reimpiegate in modo eco-compatibile.

**DATOS TÉCNICOS** Martillo Rotativo a Batería HD 18 H HD 18 HX

|                                                             |                          |                          |
|-------------------------------------------------------------|--------------------------|--------------------------|
| Diámetro de taladrado en hormigón                           | 24 mm                    | 24 mm                    |
| Diámetro de taladrado en acero                              | 13 mm                    | 13 mm                    |
| Diámetro de taladrado en madera                             | 30 mm                    | 30 mm                    |
| Diámetro de broca de corona ligera en mampostería/ ladrillo | 50 mm                    | 50 mm                    |
| Velocidad en vacío                                          | 1400 min <sup>-1</sup>   | 1400 min <sup>-1</sup>   |
| Frecuencia de impactos bajo carga                           | 0-4200 min <sup>-1</sup> | 0-4200 min <sup>-1</sup> |
| Fuerza de impacto individual                                | 2,4 J                    | 2,4 J                    |
| Diámetro de cuello de amarre                                | 43 mm                    | 43 mm                    |
| Tipo                                                        | Li-Ion                   | Li-Ion                   |
| Voltaje de batería                                          | 18 V                     | 18 V                     |
| Peso de acuerdo con el procedimiento EPTA 01/2003           | 3,5 kg                   | 3,7 kg                   |

**Información sobre ruidos / vibraciones**  
 Determinación de los valores de medición según norma EN 60 745.  
 El nivel de ruido típico del aparato determinado con un filtro A corresponde a:  
 Presión acústica (K=3dB(A)).....88 dB (A) .....88 dB (A)  
 Resonancia acústica (K=3dB(A)).....99 dB (A) .....99 dB (A)

**Usar protectores auditivos!**  
 Nivel total de vibraciones (suma vectorial de tres direcciones) determinado según EN 60745.  
 Taladrar en hormigón: valor emisiones de vibración a<sub>h</sub> .....12,2 m/s<sup>2</sup> .....12,2 m/s<sup>2</sup>  
 Tolerancia K = .....1,5 m/s<sup>2</sup> .....1,5 m/s<sup>2</sup>  
 Cincelar: valor emisiones de vibración a<sub>h</sub> .....7,4 m/s<sup>2</sup> .....7,4 m/s<sup>2</sup>  
 Tolerancia K = .....1,5 m/s<sup>2</sup> .....1,5 m/s<sup>2</sup>

**ADVERTENCIA**  
 El nivel vibratorio indicado en estas instrucciones ha sido medido conforme a un método de medición estandarizado en la norma EN 60745, y puede utilizarse para la comparación entre herramientas eléctricas. También es apropiado para una estimación provisional de la carga de vibración.  
 El nivel vibratorio indicado representa las aplicaciones principales de la herramienta eléctrica. Si, pese a ello, se utiliza la herramienta eléctrica para otras aplicaciones, con útiles adaptables diferentes o con un mantenimiento insuficiente, el nivel vibratorio puede diferir. Esto puede incrementar sensiblemente la carga de vibración durante todo el periodo de trabajo.  
 Para una estimación exacta de la carga de vibración deberían tenerse en cuenta también los tiempos durante los que el aparato está apagado o, pese a estar en funcionamiento, no está siendo realmente utilizado. Esto puede reducir sustancialmente la carga de vibración durante todo el periodo de trabajo.  
 Adopte medidas de seguridad adicionales para la protección del operador frente al efecto de las vibraciones, como por ejemplo: mantenimiento de la herramienta eléctrica y de los útiles adaptables, mantener las manos calientes, organización de los procesos de trabajo.

**ADVERTENCIA! Rogamos leer las indicaciones de seguridad y las instrucciones, también las que contiene el folleto adjunto.** En caso de no atenderse a las advertencias de peligro e instrucciones siguientes, ello puede ocasionar una descarga eléctrica, un incendio y/o lesión grave.  
**Guardar todas las advertencias de peligro e instrucciones para futuras consultas.**

**INSTRUCCIONES DE SEGURIDAD**

**¡Utilice protección auditiva!** La exposición a niveles de ruido excesivos puede causar pérdida de audición  
**¡Utilice las empuñaduras auxiliares suministradas con la herramienta!** La pérdida de control de la herramienta puede causar accidentes  
**Segure o aparelho nas superfícies de punho isoladas se estiver a executar trabalhos, nos quais a ferramenta de corte pode tocar em linhas eléctricas escondidas.** O contacto da ferramenta de corte com uma linha sob tensão também pode colocar peças metálicas do aparelho sob tensão e levar a um choque eléctrico.  
 Para trabajar con la máquina, utilizar siempre gafas de protección, guantes, calzado de seguridad antideslizante, así como es recomendable usar protectores auditivos.  
 Nunca se debe intentar limpiar el polvo o viruta procedente del taladrado con la máquina en funcionamiento.  
 El polvo que se produce durante estos trabajos puede ser nocivo a la salud; es por ello aconsejable que no penetre al cuerpo. Utilice por ello una máscara protectora contra polvo.  
 Retire la batería antes de comenzar cualquier trabajo en la máquina.

No tire las baterías usadas a la basura ni al fuego. Los Distribuidores Milwaukee ofrecen un servicio de recogida de baterías antiguas para proteger el medio ambiente.  
 No almacene la batería con objetos metálicos (riesgo de cortocircuito).  
 Recargar solamente los acumuladores del Sistema Milwaukee 18 V en cargadores Milwaukee 18 V. No intentar recargar acumuladores de otros sistemas.  
 No abra nunca las baterías ni los cargadores y guárdelos sólo en lugares secos. Protéjalos de la humedad en todo momento.  
 En caso de sobrecarga o alta temperatura, pueden llegar a producirse escapes de ácido provenientes de la batería. En caso de contacto con éste, limpie inmediatamente la zona con agua y jabón. Si el contacto es en los ojos, límpiese concienzudamente con agua durante 10 minutos y acuda inmediatamente a un médico.  
 No introduzca en la cavidad del cargador objetos metálicos (riesgo de cortocircuito).

**APLICACIÓN DE ACUERDO A LA FINALIDAD**

El martillo electroneumático por acumulador se puede usar universalmente para taladrado a percusión, así como para taladrar madera, metal y plástico.  
 No utilice este producto para ninguna otra aplicación que no sea su uso normal.

**DECLARACION DE CONFORMIDAD CE**

Declaramos bajo nuestra sola responsabilidad que este producto está en conformidad con las normas o documentos normalizados siguientes.  
 EN 60745-1:2009 + A11:2010  
 EN 60745-2-6:2010  
 EN 55014-1:2006 + A1:2009 + A2:2011  
 EN 55014-2:1997 + A1:2001 + A2:2008  
 de acuerdo con las regulaciones 2011/65/EU (RoHS)  
 2006/42/CE  
 2004/108/CE



Winnenden, 2012-08-02  
 Rainer Kumpf  
 Director Product Development

Autorizado para la redacción de los documentos técnicos.

**BATERIA**

Tenga en cuenta las indicaciones especiales sobre los acumuladores Milwaukee 18 V de Milwaukee que aparecen en las instrucciones de uso del aparato de carga.  
 Las baterías nuevas alcanzan su plena capacidad de carga después de 4 - 5 cargas y descargas. Las baterías no utilizadas durante cierto tiempo deben ser recargadas antes de usar.  
 Las temperaturas superiores a 50°C reducen el rendimiento de la batería. Evite una exposición excesiva a fuentes de calor o al sol (riesgo de sobrecalentamiento).  
 Los puntos de contacto de los cargadores y las baterías se deben mantener limpios.  
 Para garantizar la máxima capacidad y vida útil, las baterías recargables se deberían retirar del cargador una vez finalizada la carga.  
 En caso de almacenar la batería recargable más de 30 días: Almacenar la batería recargable en un lugar seco a una temperatura de aproximadamente 27°C.  
 Almacenar la batería recargable con un estado de carga del 30% y 50% aproximadamente.  
 Recargar la batería cada 6 meses.

**MANTENIMIENTO**

Las ranuras de ventilación de la máquina deben estar despejadas en todo momento.  
 Cuando el martillo ha gastado las escobillas nunca se deberán sustituir! el martillo deberá ser enviado a un servicio técnico oficial para efectuarle un mantenimiento de servicio. De esta única manera queda garantizado el perfecto funcionamiento y duración de la máquina.  
 Utilice solamente accesorios y repuestos Milwaukee. En caso de necesitar reemplazar componentes no descritos, contacte con cualquiera de nuestras estaciones de servicio Milwaukee (consultar lista de servicio técnicos)  
 En caso necesario, puede solicitar un despiece de la herramienta. Por favor indique el número de impreso de diez dígitos que hay en la etiqueta y pida el despiece a la siguiente dirección: Milwaukee Electric Tool, Max-Eyth-Straße 10, D-71364 Winnenden, Germany.

**SÍMBOLOS**

- Lea las instrucciones detenidamente antes de conectar la herramienta
- Accesorio - No incluido en el equipo estándar, disponible en la gama de accesorios.
- Retire la batería antes de comenzar cualquier trabajo en la máquina.
- ¡No deseche los aparatos eléctricos junto con los residuos domésticos! De conformidad con la Directiva Europea 2002/96/CE sobre residuos de aparatos eléctricos y electrónicos y su aplicación de acuerdo con la legislación nacional, las herramientas eléctricas cuya vida útil haya llegado a su fin se deberán recoger por separado y trasladar a una planta de reciclaje que cumpla con las exigencias ecológicas.



**CARACTERÍSTICAS TÉCNICAS Martelo Rotativo a Bateria HD 18 H HD 18 HX**

|                                                    |                          |                          |
|----------------------------------------------------|--------------------------|--------------------------|
| Ø de furo em betão .....                           | 24 mm                    | 24 mm                    |
| Ø de furo em aço .....                             | 13 mm                    | 13 mm                    |
| Ø de furo em madeira .....                         | 30 mm                    | 30 mm                    |
| Coroas dentadas em tijolo e calcário .....         | 50 mm                    | 50 mm                    |
| Nº de rotações em vazio .....                      | 1400 min <sup>-1</sup>   | 1400 min <sup>-1</sup>   |
| Frequência de percussão em carga .....             | 0-4200 min <sup>-1</sup> | 0-4200 min <sup>-1</sup> |
| Força da pancada .....                             | 2,4 J                    | 2,4 J                    |
| Ø da gola de aperto .....                          | 43 mm                    | 43 mm                    |
| Acumulador .....                                   | Li-Ion                   | Li-Ion                   |
| Tensão do acumulador .....                         | 18 V                     | 18 V                     |
| Peso nos termos do procedimento-EPTA 01/2003 ..... | 3,5 kg                   | 3,7 kg                   |

**Informações sobre ruído/vibração**

Valores de medida de acordo com EN 60 745.

O nível de ruído avaliado A do aparelho é tipicamente:

|                                                |           |           |
|------------------------------------------------|-----------|-----------|
| Nível da pressão de ruído (K = 3 dB(A)) .....  | 88 dB (A) | 88 dB (A) |
| Nível da potência de ruído (K = 3 dB(A)) ..... | 99 dB (A) | 99 dB (A) |

**Use protectores auriculares!**

Valores totais de vibração (soma dos vectores das três Direcções) determinadas conforme EN 60745.

|                                                                         |                       |                       |
|-------------------------------------------------------------------------|-----------------------|-----------------------|
| Furar em betão: Valor de emissão da vibração a <sub>h</sub> .....       | 12,2 m/s <sup>2</sup> | 12,2 m/s <sup>2</sup> |
| Incerteza K = .....                                                     | 1,5 m/s <sup>2</sup>  | 1,5 m/s <sup>2</sup>  |
| Trabalho de ponteira: Valor de emissão da vibração a <sub>h</sub> ..... | 7,4 m/s <sup>2</sup>  | 7,4 m/s <sup>2</sup>  |
| Incerteza K = .....                                                     | 1,5 m/s <sup>2</sup>  | 1,5 m/s <sup>2</sup>  |

**ATENÇÃO**

O nível vibratório indicado nestas instruções foi medido em conformidade com um procedimento de medição normalizado na EN 60745 e pode ser utilizado para comparar entre si ferramentas eléctricas. O mesmo é também adequado para avaliar provisoriamente o esforço vibratório.

O nível vibratório indicado representa as principais aplicações da ferramenta eléctrica. Se, no entanto, a ferramenta eléctrica for utilizada para outras aplicações, com outras ferramentas adaptadas ou uma manutenção insuficiente, o nível vibratório poderá divergir. Isto pode aumentar consideravelmente o esforço vibratório ao longo de todo o período do trabalho.

Para uma avaliação exacta do esforço vibratório devem também ser considerados os tempos durante os quais o aparelho está desligado ou está a funcionar, mas não está efectivamente a ser utilizado. Isto pode reduzir consideravelmente o esforço vibratório ao longo de todo o período do trabalho.

Defina medidas de segurança suplementares para proteger o operador do efeito das vibrações, como por exemplo: manutenção da ferramenta eléctrica e das ferramentas adaptadas, manter as mãos quentes, organização das sequências de trabalho.

**⚠ ATENÇÃO! Leia todas as instruções de segurança e todas as instruções, também aquelas que constam na brochura juntada.** O desrespeito das advertências e instruções apresentadas abaixo pode causar choque eléctrico, incêndio e/ou graves lesões.

**Guarde bem todas as advertências e instruções para futura referência.**

**INSTRUÇÕES DE SEGURANÇA**

**Sempre use a protecção dos ouvidos.** A influência de ruídos pode causar surdez.

**Sempre use os punhos adicionais fornecidos com o aparelho.** A perda de controlo pode causar feridas.

**Houd het apparaat alléén aan de geïsoleerde grijpvlakken vast, wanneer u werkzaamheden uitvoert waarbij het snijgereedschap verborgen stroomleidingen zou kunnen raken.** Het contact van het snijgereedschap met een spanningvoerende leiding kan de metalen apparaatdelen onder spanning zetten en zo tot een elektrische schok leiden.

Usar sempre óculos de protecção ao trabalhar com a máquina. Recomenda-se a utilização de luvas de protecção, protectores para os ouvidos e máscara anti-poeiras.

Não remover aparas ou lascas enquanto a máquina trabalha.

O pó que resulta ao trabalhar pode ser nocivo para a saúde, por isso não devendo penetrar no corpo. Use uma máscara de protecção contra pó apropriada.

Antes de efectuar qualquer intervenção na máquina retirar o bloco acumulador.

Não queimar acumuladores gastos nem deitá-los no lixo doméstico. A Milwaukee possui uma eliminação de acumuladores gastos que respeita o meio ambiente.

Não guardar acumuladores junto com objectos metálicos (perigo de curto-circuito).

Use apenas carregadores do Sistema Milwaukee 18 V para recarregar os acumuladores do Sistema Milwaukee 18 V. Não utilize acumuladores de outros sistemas.

Carregadores só devem ser utilizados em recintos secos.

Em caso de cargas ou temperaturas extremas, um acumulador de substituição danificado poderá verter líquido de bateria. Se entrar em contacto com este líquido, deverá lavar-se imediatamente com água e sabão. Em caso de contacto com os olhos, enxagúe-os bem e de imediato durante pelo menos 10 minutos e consulte um médico o mais depressa possível.

Não abrir acumuladores e carregadores. Armazená-los em recintos secos. Protegê-los contra humidade.

**UTILIZAÇÃO AUTORIZADA**

O martelo electro-pneumático tem aplicação universal para trabalhos de furar com percussão em pedra furar madeira, metais e plásticos.

Não use este produto de outra maneira sem ser a normal para o qual foi concebido.

**DECLARAÇÃO DE CONFORMIDADE CE**

Declaramos, sob nossa exclusiva responsabilidade, que este produto cumpre as seguintes normas ou documentos normativos:

EN 60745-1:2009 + A11:2010  
 EN 60745-2-6:2010  
 EN 55014-1:2006 + A1:2009 + A2:2011  
 EN 55014-2:1997 + A1:2001 + A2:2008  
 conforme as disposições das directivas  
 2011/65/EU (RoHS)  
 2006/42/CE  
 2004/108/CE



Winnenden, 2012-08-02

*Rainer Kumpf*

Rainer Kumpf  
 Director Product Development

Autorizado a reunir a documentação técnica.

**ACUMULADOR**

Seguir as instruções especiais para a Bateria Milwaukee Milwaukee 18 V, constantes no manual de instruções do carregador.

Acumuladores novos atingem a sua plena capacidade após 4-5 ciclos de carga e descarga. Acumuladores não utilizados durante algum tempo devem ser recarregados antes da sua utilização.

Temperaturas acima de 50°C reduzem a capacidade do bloco acumulador. Evitar exposição prolongada ao sol ou a caloríferos.

Manter limpos os contactos eléctricos no carregador e no bloco acumulador.

Para assegurar uma vida útil longa, o pacote de bateria deve ser removido da carregadora depois do carregamento.

Se o pacote de bateria for armazenado por mais de 30 dias: Armazene o pacote de bateria com aprox. 27°C em um lugar seco.

Armazene o pacote de bateria com aprox. 30%-50% da carga completa.

Carregue o pacote de bateria novamente de 6 em 6 meses.

**MANUTENÇÃO**

Manter desobstruídos os rasgos de ventilação na carcaça da máquina.

Se as escovas de carvão estão gastas, adicionalmente á mudança das mesmas e ferramenta deve ser submetida a assistência. Isto irá assegurar longo tempo de vida útil bem como constante prontidão da máquina para o trabalho.

Utilizar apenas acessórios Milwaukee e peças sobresselentes Milwaukee. Os componentes cuja substituição não esteja descrita devem ser substituídos num serviço de assistência técnica Milwaukee (consultar a brochura relativa à garantia/moradas dos serviços de assistência técnica).

A pedido e mediante indicação da referência de dez números que consta da chapa de características da máquina, pode requerer-se um desenho explosivo da ferramenta eléctrica a: Milwaukee Electric Tool, Max-Eyth-Straße 10, D-71364 Winnenden, Germany.

**SYMBOLS**

Leia atentamente o manual de instruções antes de colocar a máquina em funcionamento.



Acessório - Não incluído no equipamento normal, disponível como acessório.



Antes de efectuar qualquer intervenção na máquina retirar o bloco acumulador.



Não deite ferramentas eléctricas no lixo doméstico! De acordo com a directiva europeia 2002/96/CE sobre ferramentas eléctricas e electrónicas usadas e a transposição para as leis nacionais, as ferramentas eléctricas usadas devem ser recolhidas em separado e encaminhadas a uma instalação de reciclagem dos materiais ecológica.

**TECHNISCHE GEGEVENS**

Accu-boorhamer

HD 18 H

HD 18 HX

|                                                |                                |                          |
|------------------------------------------------|--------------------------------|--------------------------|
| Boor- $\phi$ in beton.....                     | 24 mm.....                     | 24 mm                    |
| Boor- $\phi$ in staal.....                     | 13 mm.....                     | 13 mm                    |
| Boor- $\phi$ in hout.....                      | 30 mm.....                     | 30 mm                    |
| Slagboorkroon voor tegel en kalkzandsteen..... | 50 mm.....                     | 50 mm                    |
| Onbelast toerental.....                        | 1400 min <sup>-1</sup> .....   | 1400 min <sup>-1</sup>   |
| Aantal slagen belast.....                      | 0-4200 min <sup>-1</sup> ..... | 0-4200 min <sup>-1</sup> |
| Slagkracht.....                                | 2,4 J.....                     | 2,4 J                    |
| Spanhals- $\phi$ .....                         | 43 mm.....                     | 43 mm                    |
| Type akku.....                                 | Li-Ion.....                    | Li-Ion                   |
| Spanning wisselakku.....                       | 18 V ==.....                   | 18 V ==                  |
| Gewicht volgens de EPTA-procedure 01/2003..... | 3,5 kg.....                    | 3,7 kg                   |

**Geluids-/trillingsinformatie**

Meetwaarden vastgesteld volgens EN 60 745.

Het kenmerkende A-gewogen geluidsniveau van de machine bedraagt:

|                                         |                |           |
|-----------------------------------------|----------------|-----------|
| Geluidsdruk-niveau (K=3 dB(A)).....     | 88 dB (A)..... | 88 dB (A) |
| Geluidsvermogen-niveau (K=3 dB(A))..... | 99 dB (A)..... | 99 dB (A) |

**Draag oorbeschermers!**

Totale trillingswaarden (vectorsom van drie richtingen) bepaald volgens EN 60745.

|                                                           |                             |                       |
|-----------------------------------------------------------|-----------------------------|-----------------------|
| Hamerboren in beton: trillingsemisiewaarde $a_{h1}$ ..... | 12,2 m/s <sup>2</sup> ..... | 12,2 m/s <sup>2</sup> |
| Onzekerheid K = .....                                     | 1,5 m/s <sup>2</sup> .....  | 1,5 m/s <sup>2</sup>  |
| Hakken: trillingsemisiewaarde $a_{h2}$ .....              | 7,4 m/s <sup>2</sup> .....  | 7,4 m/s <sup>2</sup>  |
| Onzekerheid K = .....                                     | 1,5 m/s <sup>2</sup> .....  | 1,5 m/s <sup>2</sup>  |

**WAARSCHUWING**

De in deze aanwijzingen vermelde trillingsdruk is gemeten volgens een in EN 60745 genoemde meetmethode en kan worden gebruikt voor de onderlinge vergelijking van apparaten. Hij is ook geschikt voor een voorlopige inschatting van de trillingsbelasting.

De aangegeven trillingsdruk geldt voor de meest gebruikelijke toepassingen van het elektrische apparaat. Wanneer het elektrische gereedschap echter voor andere doeleinden, met andere dan de voorgeschreven hulpstukken gebruikt of niet naar behoren onderhouden wordt, kan de trillingsdruk afwijken. Dit kan de waarde van de trillingsdruk over de hele werkperiode aanzienlijk verhogen.

Voor een nauwkeurige inschatting van de trillingsdruk moeten ook de tijden in aanmerking worden genomen dat het apparaat uitgeschakeld is of weliswaar loopt, maar niet werkelijk in gebruik is. Dit kan de waarde van de trillingsdruk over de hele werkperiode aanzienlijk verminderen.

Bepaal extra veiligheidsmaatregelen ter bescherming van de bediener tegen de inwerking van trillingen, bijvoorbeeld: onderhoud van elektrische gereedschappen en apparaten, warmhouden van de handen, organisatie van de werkprocessen.

**WAARSCHUWING! Lees alle veiligheidsinstructies en aanwijzingen door - ook die in de bijgeleverde brochure.** Als de waarschuwingen en voorschriften niet worden opgevolgd, kan dit een elektrische schok, brand of ernstig letsel tot gevolg hebben.

**Bewaar alle waarschuwingen en voorschriften voor toekomstig gebruik.**

**VEILIGHEIDSAADVIEZEN**

**Draag oorbeschermers.** Blootstelling aan geluid kan het gehoor beschadigen.

**Gebruik de bij de machine geleverde zijhandgreep.** Verlies aan controle kan tot persoonlijk letsel leiden.

**Hold maskinen fast i de isolerede gribeftader, når du udfører arbejde, hvor der er risiko for, at skæreværktøjet kan ramme skjulte strømledninger.** Kommer skæreværktøjet i kontakt med en strømførende ledning, kan maskinens metaldele komme under spænding og give elektrisk stød.

Bij het werken met de machine altijd een veiligheidsbril dragen. Werkhandschoenen en stofkapje voor de mond worden aanbevolen.

Spanen of splinters mogen bij draaiende machine niet worden verwijderd.

Het gedurende het werken vrijkomende stof is doorgaans schadelijk voor de gezondheid en mag niet met het lichaam in aanraking komen. Draag derhalve een geschikt stofbeschermsmasker.

Voor alle werkzaamheden aan de machine de akku verwijderen.

Verbruikte akku's niet in het vuur of bij het huisvuil werpen. Milwaukee biedt namelijk een milieuvriendelijke recyclingmethode voor uw oude akku's.

Wisselakku's niet bij metalen voorwerpen bewaren (kortsluitingsgevaar!).

Wisselakku's van het Akku-Systeem Milwaukee 18 V alléén met laadapparaten van het Akku-Systeem Milwaukee 18 V laden. Geen akku's van andere systemen laden.

Wisselakku's en laadapparaten niet openen en alleen in droge ruimtes opslaan. Tegen vocht beschermen.

Onder extreme belasting of extreme temperaturen kan uit de accu accu-vloeistof lopen. Na contact met accu-vloeistof direct afwassen met water en zeep. Bij oogcontact direct minstens 10 minuten grondig spoelen en onmiddellijk een arts raadplegen.

In de wisselakku-opnameschacht van het laadapparaat mogen géén metaaldeeltjes komen (kortsluitingsgevaar!).

**VOORGESCHREVEN GEBRUIK VAN HET SYSTEEM**

De accu-boorhamer is universeel inzetbaar voor hamerboren in steen en voor boren in hout, metaal en kunststof, onafhankelijk van een netaansluiting.

Dit apparaat uitsluitend gebruiken voor normaal gebruik, zoals aangegeven.

**EC - VERKLARING VAN OVEREENSTEMMING**

Wij verklaren dat dit produkt voldoet aan de volgende normen of normatieve documenten:  
 EN 60745-1:2009 + A11:2010  
 EN 60745-2-6:2010  
 EN 55014-1:2006 + A1:2009 + A2:2011  
 EN 55014-2:1997 + A1:2001 + A2:2008  
 overeenkomstig de bepalingen van de richtlijnen 2011/65/EU (RoHS)  
 2006/42/EG  
 2004/108/EG



Winnenden, 2012-08-02

Rainer Kumpf  
 Director Product Development

Gemachtigd voor samenstelling van de technische documenten

**AKKU**

Let op de speciale aanwijzingen voor Milwaukee Milwaukee 18 V accu's in de gebruiksaanwijzing van het oplaadapparaat.

Nieuwe wisselakku's bereiken hun volle capaciteit na 4-5 laad-/ontlaadcycli. Langere tijd niet toegepaste wisselakku's vóór gebruik altijd naladen.

Een temperatuur boven de 50°C vermindert de capaciteit van de accu. Langdurige verwarming door zon of hitte vermijden.

De aansluitcontacten aan het laadapparaat en de akku schoonhouden.

Voor een zo lang mogelijke levensduur van de accu's dienen deze na het opladen uit het laadtoestel te worden verwijderd.

Bij een langere opslag van de accu dan 30 dagen:

accu bij ca. 27 °C droog bewaren.

accu bij ca. 30 % - 50 % van de laadtoestand bewaren.

accu om de 6 maanden opnieuw opladen.

**ONDERHOUD**

Altijd de luchtspleten van de machine schoonhouden.

Belangrijke tip! Versleten koolborstels tijdig door een service-werkplaats laten vervangen. Dit verhoogt de levensduur van de machine en garandeert dat de machine altijd direct klaar is voor gebruik.

Gebruik uitsluitend Milwaukee toebehoren en onderdelen. Indien componenten die moeten worden vervangen niet zijn beschreven, neem dan contact op met een officieel Milwaukee servicecentrum (zie onze lijst met servicecentra).

Onder vermelding van het tiencijferige nummer op het machineplaatje is desgewenst een doorsnedetekening van de machine verkrijgbaar bij: Milwaukee Electric Tool, Max-Eyth-Straße 10, D-71364 Winnenden, Germany.

**SYMBOLEN**

Graag instructies zorgvuldig doorlezen vóórdat u de machine in gebruik neemt.



Toebehoren - Wordt niet mEGeleverd. Is apart leverbaar. Zie hiervoor het toebehorenprogramma.



Voor alle werkzaamheden aan de machine de akku verwijderen.



Geef elektrisch gereedschap niet met het huisvuil mee! Volgens de Europese richtlijn 2002/96/EG inzake oude elektrische en elektronische apparaten en de toepassing daarvan binnen de nationale wetgeving, dient gebruikt elektrisch gereedschap gescheiden te worden ingezameld en te worden afgevoerd naar een recycle bedrijf dat voldoet aan de geldende milieu-eisen.



**TEKNISKE DATA**

|                                        | Akku borehammer          | HD 18 H                  | HD 18 HX                 |
|----------------------------------------|--------------------------|--------------------------|--------------------------|
| Bor-ø i beton                          | 24 mm                    | 24 mm                    | 24 mm                    |
| Bor-ø i stål                           | 13 mm                    | 13 mm                    | 13 mm                    |
| Bor-ø i træ                            | 30 mm                    | 30 mm                    | 30 mm                    |
| Letborekrone i tegl og kalksandsten    | 50 mm                    | 50 mm                    | 50 mm                    |
| Omdrejningstal, ubelastet              | 1400 min <sup>-1</sup>   | 1400 min <sup>-1</sup>   | 1400 min <sup>-1</sup>   |
| Slagantal belastet                     | 0-4200 min <sup>-1</sup> | 0-4200 min <sup>-1</sup> | 0-4200 min <sup>-1</sup> |
| Enkeltslagsenergi                      | 2,4 J                    | 2,4 J                    | 2,4 J                    |
| Halsdiameter                           | 43 mm                    | 43 mm                    | 43 mm                    |
| Batteri type                           | Li-Ion                   | Li-Ion                   | Li-Ion                   |
| Udskiftningsbatteriets spænding        | 18 V                     | 18 V                     | 18 V                     |
| Vægt svarer til EPTA-procedure 01/2003 | 3,5 kg                   | 3,7 kg                   | 3,7 kg                   |

**Støj/Vibrationsinformation**

Måleværdier beregnes iht. EN 60 745.

Værktøjets A-vurderede støjniveau er typisk:

|                              |           |           |
|------------------------------|-----------|-----------|
| Lydtrykniveau (K=3 dB(A))    | 88 dB (A) | 88 dB (A) |
| Lydeffekt niveau (K=3 dB(A)) | 99 dB (A) | 99 dB (A) |

**Brug høreværn!**

Samlede vibrationsværdier (værdisum for tre retninger) beregnet iht. EN 60745.

|                                                             |                       |                       |
|-------------------------------------------------------------|-----------------------|-----------------------|
| Hammerboring i beton: Svingningsemissionstal a <sub>h</sub> | 12,2 m/s <sup>2</sup> | 12,2 m/s <sup>2</sup> |
| Usikkerhed K =                                              | 1,5 m/s <sup>2</sup>  | 1,5 m/s <sup>2</sup>  |
| Mejsle: Svingningsemissionstal a <sub>h</sub>               | 7,4 m/s <sup>2</sup>  | 7,4 m/s <sup>2</sup>  |
| Usikkerhed K =                                              | 1,5 m/s <sup>2</sup>  | 1,5 m/s <sup>2</sup>  |

**ADVARSEL**

Svingningsniveauet, som er angivet i disse anvisninger, er målt i henhold til standardiseret måleprocedure ifølge EN 60745 og kan anvendes til indbyrdes sammenligning mellem el-værktøjer. Svingningsniveauet er ligeledes egnet som foreløbigt skøn over svingningsbelastningen.

Det angivne svingningsniveau er baseret på el-værktøjets primære anvendelsesformål. Hvis el-værktøjet benyttes til andre formål, med andet indsatsværktøj eller ikke vedligeholdes tilstrækkeligt, kan svingningsniveauet afvige. Dette kan øge svingningsbelastningen over den samlede arbejdsperiode betydeligt.

For en nøjagtig vurdering af svingningsbelastningen skal der også tages højde for de tidsperioder, hvor apparatet er slukket, eller hvor apparatet kører, men uden at være i anvendelse. Dette kan reducere svingningsbelastningen over den samlede arbejdsperiode betydeligt.

Supplerende sikkerhedsforanstaltninger til beskyttelse af brugeren mod påvirkninger fra svingninger skal iværksættes, f.eks.: Vedligeholdelse af el-værktøj og indsatsværktøj, varmholdelse af hænder, organisering af arbejdsprocesser.

**⚠ ADVARSEL! Læs alle sikkerhedsanvisninger og øvrige vejledninger, også i den vedlagte brochure.** I tilfælde af manglende overholdelse af advarselshenvisningerne og instrukserne er der risiko for elektrisk stød, brand og/eller alvorlige kvæstelser.

**Opbevar alle advarselshenvisninger og instrukser til senere brug.**

**SIKKERHEDSHENVISNINGER**

**Bær høreværn.** Støjpåvirkning kan bevirke tab af hørelse.

**Brug de ekstra håndtag, som følger med apparatet.** Hvis kontrollen mistes, kan det medføre personskaade.

**Hold apparatet i de isolerte holdefladene, når det arbejdes på steder hvor elektroverktøjet kan træffe skjulte strømledninger.** Kontakt med en ledning som er under spænding, kan også sætte metaldele til apparatet under spænding og føre til et elektrisk slag.

Når der arbejdes med maskinen, skal man have beskyttelsesbriller på. Beskyttelseshandsker, skridsikre sko, høreværn og forklæde anbefales.

Spåner eller splinter må ikke fjernes, medens maskinen kører. Støv, som opstår under arbejdet, er ofte sundhedsfarligt og bør ikke trænge ind i kroppen. Benyt egnet åndedrætsværn.

Ved arbejde inden i maskinen, bør batteriet tages ud.

Opbrugte udskiftningsbatterier må ikke brændes eller kasseres sammen med alm. husholdningsaffald. Milwaukee har en miljørigtig bortskaffelse af gamle udskiftningsbatterier, henvend Dem til Deres forhandler.

Opbevar ikke udskiftningsbatterier sammen med metalgenstande af fare for kortslutning.

**CE-KONFORMITETSERKLÆRING**

Vi erklærer under almindeligt ansvar, at dette produkt er i overensstemmelse med følgende normer eller normative dokumenter.

EN 60745-1:2009 + A11:2010  
 EN 60745-2-6:2010  
 EN 55014-1:2006 + A1:2009 + A2:2011  
 EN 55014-2:1997 + A1:2001 + A2:2008  
 i henhold til bestemmelserne i direktiverne  
 2011/65/EU (RoHS)  
 2006/42/EF  
 2004/108/EF



Winnenden, 2012-08-02

Rainer Kumpf  
 Director Product Development

Autoriseret til at udarbejde de tekniske dokumenter.

**BATTERI**

Bemærk særlige anvisninger for Milwaukee Milwaukee 18 V -batterier i brugsanvisningen til ladeadapteren.

Nye udskiftningsbatterier opnår deres fulde kapacitet efter 4-5 oplade- og afladecykler. Udskiftningsbatterier, der ikke har været brugt i længere tid, efterlades inden brug.

Ved temperaturer over 50°C formindskes batteriets effekt. Undgå direkte sollys og stærk varme.

Tilslutningskontakterne på oplader og udskiftningsbatterier skal holdes rene.

For at sikre en så lang levetid som muligt skal batterierne tages ud af ladeaggregatet efter opladning.

Skal batterierne opbevares længere end 30 dage:  
 Temperatur ca. 27°C i tørre omgivelser.  
 Opbevares ved ca. 30%-50% af ladetilstanden.  
 Batteri skal genoplades hver 6. måned.

**VEDLIGEHOLDELSE**

Hold altid maskinens ventilationsåbninger rene.

I forbindelse med udskiftning af nedslidte kul anbefales det, at maskinen indsendes til et autoriseret serviceværksted for almindelig service-check. Det giver optimal sikkerhed for altid funktionsdygtig maskine og lang levetid.

Brug kun Milwaukee-tilbehør og Milwaukee-reservedele. Komponenter, hvor udskiftningsproceduren ikke er beskrevet, skal skiftes ud hos et Milwaukee-servicested (se brochure garanti/kundeserviceadresser).

Ved opgivelse af type nr. der er angivet på maskinens effektskilt, kan De rekvirere en reservedelstegning, ved henvendelse til: Milwaukee Electric Tool, Max-Eyth-Straße 10, D-71364 Winnenden, Germany.

**SYMBOLER**

Læs brugsanvisningen nøje før ibrugtagning.



Tilbehør - Ikke inkluderet i leveringsomfanget, køb købes som tilbehør.



Ved arbejde inden i maskinen, bør batteriet tages ud.



Elværtøj må ikke bortskaffes som almindeligt affald! I henhold til det europæiske direktiv 2002/96/EF om bortskaffelse af elektriske og elektroniske produkter og gældende national lovgivning skal brugt værktøj indsamles separat og bortskaffes på en måde, der skåner miljøet mest muligt.

**TEKNISKE DATA**

|                                                 | Batteridrevet borhammer  | HD 18 H                  | HD 18 HX                 |
|-------------------------------------------------|--------------------------|--------------------------|--------------------------|
| Bor-ø i betong.....                             | 24 mm                    | 24 mm                    | 24 mm                    |
| Bor-ø i stål.....                               | 13 mm                    | 13 mm                    | 13 mm                    |
| Bor-ø i treverk.....                            | 30 mm                    | 30 mm                    | 30 mm                    |
| Lettborkrone i tegl og kalksandstein.....       | 50 mm                    | 50 mm                    | 50 mm                    |
| Tomgangsturtall.....                            | 1400 min <sup>-1</sup>   | 1400 min <sup>-1</sup>   | 1400 min <sup>-1</sup>   |
| Lastslagtall.....                               | 0-4200 min <sup>-1</sup> | 0-4200 min <sup>-1</sup> | 0-4200 min <sup>-1</sup> |
| Enkeltslagenergi.....                           | 2,4 J                    | 2,4 J                    | 2,4 J                    |
| Spennhals-ø.....                                | 43 mm                    | 43 mm                    | 43 mm                    |
| Batteritype.....                                | Li-Ion                   | Li-Ion                   | Li-Ion                   |
| Spenning vekselbatteri.....                     | 18 V                     | 18 V                     | 18 V                     |
| Vekt i henhold til EPTA-Proseduren 01/2003..... | 3,5 kg                   | 3,5 kg                   | 3,7 kg                   |

**Støy/Vibrasjonsinformasjon**

Måleverdier fastslått i samsvar med EN 60 745.

Det typiske A-bedømte støynivået for maskinen er:

|                                |           |           |
|--------------------------------|-----------|-----------|
| Lydtryknivå (K=3 dB(A)).....   | 88 dB (A) | 88 dB (A) |
| Lydeffektnivå (K=3 dB(A))..... | 99 dB (A) | 99 dB (A) |

**Bruk hørselsvern!**

Totalt svingningsverdier (vektorsum fra tre retninger) beregnet if. EN 60745.

|                                                                        |                       |                       |
|------------------------------------------------------------------------|-----------------------|-----------------------|
| Hammerboring i betong: svingningens emisjonsverdi a <sub>n</sub> ..... | 12,2 m/s <sup>2</sup> | 12,2 m/s <sup>2</sup> |
| Usikkerhet K = .....                                                   | 1,5 m/s <sup>2</sup>  | 1,5 m/s <sup>2</sup>  |
| Meisling: svingningens emisjonsverdi a <sub>n</sub> .....              | 7,4 m/s <sup>2</sup>  | 7,4 m/s <sup>2</sup>  |
| Usikkerhet K = .....                                                   | 1,5 m/s <sup>2</sup>  | 1,5 m/s <sup>2</sup>  |

**ADVARSEL**

Svingningsnivået som er angitt i denne instruksjonen er målt i overensstemmelse med målemetoden normert i direktiv EN 60745 og kan brukes til å sammenligne elektromaskiner med hverandre. Den egner seg også for en foreløbig vurdering av svingningsbelastningen.

Det angitte svingningsnivået representerer de hovedsaklige bruk av elektroverktøyet. Men anvendes elektroverktøyet for andre bruk med avvikende utskiftbare verktøy eller vedlikeholdet er utilstrekkelig, kan svingningsnivået være avvikende.

Dette kan forhøye svingningsbelastning betydelig over hele arbeidsperioden. For en nøyaktig vurdering av svingningsbelastningen må også det tas hensyn til tiden apparatet er avslått eller står på, men ikke er i bruk. Dette kan redusere svingningsbelastningen betydelig over hele arbeidsperioden.

Innfør også ekstra sikkerhetstiltak for å beskytte bruker mot utvirkingen av svingningene. Disse kan f.eks. være: vedlikehold av elektroverktøyet og det utskiftbare verktøyet, holde hendene varme, organisasjon av arbeidsforløpet.

**⚠ ADVARSEL! Les alle sikkerhetsinstruksjoner og bruksanvisninger, også de i den vedlagte brosjyren.** Feil ved overholdelsen av advarslene og nedenstående anvisninger kan medføre elektriske støt, brann og/eller alvorlige skader. **Ta godt vare på alle advarslene og informasjonene.**

**SPESEILLE SIKKERHETSHENSVISNINGER**

**Bruk hørselsvern.** Støy kan føre til tap av hørselen

**Bruk de med apparatet medleverte tilleggshandtak.** Tap av kontrollen kan føre til skader.

**Håll fast apparaten med hjelp av de isolerte grepptorna når du utfør arbeidet där arbeidsverktøyet skulle kunna träffa på dolda elledningar.** Om man kommer i kontakt med en spenningsførende ledning, så kan även de delar på verktøyet som är av metall bli spenningsførende och leda till att man får en elektrisk stöt.

Bruk alltid vernebrille når du arbeider med maskinen. Det anbefales å bruke arbeidshansker, faste og sklisikre sko og forkle.

Spon eller fliser må ikke fjernes mens maskinen er i gang.

Støvet som oppstår ved arbeidet er ofte helsefarlig og skal ikke komme i kontakt med kroppen. Bruk derfor vernemaske som er egnet for støv.

Ta ut vekselbatteriet før du arbeider på maskinen

Ikke kast brukte vekselbatterier i varmen eller husholdningsavfallet. Milwaukee tilbyr en miljøriktig deponering av gamle vekselbatterier; vennligst spør din fagforhandler.

Ikke oppbevar vekselbatterier sammen med metallgjenstander (kortslutningsfare).

Vekselbatterier av systemet Milwaukee 18 V skal kun lades med lader av systemet Milwaukee 18 V. Ikke lad opp batterier fra andre systemer.

Ikke åpne vekselbatterier og ladere, de skal oppbevares i tørre rom. Beskyttes mot fuktighet.

Under ekstreme belastninger og ekstreme temperaturer kan det løske ut batterivæske fra utskiftbare batterier. Ved berøring med batterivæske, vask umiddelbart med såpe og vann. Ved kontakt med øynene må øynene skylles grundig i rennende vann i minst 10 minutter. Oppsøk lege umiddelbart.

Metalldeleer må ikke komme inn i innsvyvningsjakten for vekselbatterier på ladere (kortslutningsfare).

**FORMALSMESSIG BRUK**

Batteri-borhammeren kan brukes universelt til hammerboring i steinarter og til boring i treverk, metall og plast uavhengig av nettkopling.

Dette apparatet må kun brukes til de oppgitte formål.

**CE-SAMSVARERKLÆRING**

Vi erklærer på eget ansvar at dette produktet stemmer overens med de følgende normer eller normative dokumenter.

EN 60745-1:2009 + A11:2010

EN 60745-2-6:2010

EN 55014-1:2006 + A1:2009 + A2:2011

EN 55014-2:1997 + A1:2001 + A2:2008

i henhold til bestemmelsene i direktivene 2011/65/EU (RoHS)

2006/42/EF

2004/108/EF



Winnenden, 2012-08-02

*Rainer Kumpf*

Rainer Kumpf

Director Product Development

Autorisert til å utarbeide den tekniske dokumentasjonen

**BATTERIER**

Ta hensyn til de spesielle instruksjoner for Milwaukee Milwaukee 18 V oppladbare batterier i laderens bruksanvisning.

Nye vekselbatterier når sin fulle kapasitet etter 4-5 lade- og utladesyklus. Vekselbatterier som ikke er brukt over lengre tid skal etterlades før bruk.

En temperatur over 50°C reduserer vekselbatteriets kapasitet. Unngå oppvarming i sol eller ved varmeovner (fyring) i lengre tid.

Hold tilkoplingskontaktene på lader og vekselbatteri rene.

For å sikre en lengst mulig brukstid av batteriene skal disse etter oppladning taes ut av laderen.

Ved lagring av batteriene lengre enn 30 dager:

Lagre batteriet tørt ved ca. 27°C.

Lagre batteriet ved en oppladningsstilstand på ca. 30%-50%.

Lade opp batteriet igjen etter 6 måneder.

**VEDLIKEHOLD**

Hold alltid luftenåpningene på maskinen rene.

Når kullbørstene er slitte bør det i tillegg til at disse skiftes ut gjennomføres en servise i et serviceverksted. Dette forlenger maskinens levetid og garanterer en stadig driftsberedskap.

Bruk kun Milwaukee tilbehør og Milwaukee reservedeler. Komponenter der utskifting ikke er beskrevet skal skiftes ut hos Milwaukee kundeservice (se brosjyre garanti/ kundeserviceadresser).

Ved behov kan du be om en eksplosjonstegning av apparatet hos din kundeservice eller direkte hos Milwaukee Electric Tool, Max-Eyth-Straße 10, D-71364 Winnenden, Germany. Oppgi maskintype og det tilsifrete nummeret på typeskiltet.

**SYMBOLER**

Les nøye gjennom bruksanvisningen før maskinen tas i bruk.



Tilbehør - inngår ikke i leveransen, anbefalt komplettering fra tilbehørsprogrammet.



Ta ut vekselbatteriet før du arbeider på maskinen



Kast aldri elektroverktøy i husholdningsavfallet! I henhold til EU-direktiv 2002/96/EF om kasserte elektriske og elektroniske produkter og direktivets iverksetting i nasjonal rett, må elektroverktøy som ikke lenger skal brukes, samles separat og returneres til et miljøvennlig gjenvinningsanlegg.

**TEKNISKA DATA**      **Batteridriven borrhammare**      **HD 18 H**      **HD 18 HX**

|                                      |                                |                          |
|--------------------------------------|--------------------------------|--------------------------|
| Borrdiam. in betong .....            | 24 mm .....                    | 24 mm                    |
| Borrdiam. in stål .....              | 13 mm .....                    | 13 mm                    |
| Borrdiam. in trä .....               | 30 mm .....                    | 30 mm                    |
| Borrkrona i tegel och kalksten ..... | 50 mm .....                    | 50 mm                    |
| Obelastat varvtal .....              | 1400 min <sup>-1</sup> .....   | 1400 min <sup>-1</sup>   |
| Belastat slagtal .....               | 0-4200 min <sup>-1</sup> ..... | 0-4200 min <sup>-1</sup> |
| Slageffekt .....                     | 2,4 J .....                    | 2,4 J                    |
| Maskinhals diam. ....                | 43 mm .....                    | 43 mm                    |
| Typ .....                            | Li-Ion .....                   | Li-Ion                   |
| Batterispänning .....                | 18 V == .....                  | 18 V ==                  |
| Vikt enligt EPTA 01/2003 .....       | 3,5 kg .....                   | 3,7 kg                   |

**Buller-/vibrationsinformation**

Mätvärdena har tagits fram baserande på EN 60 745.

A-värdet av maskinens ljudnivå utgör:

|                                   |                 |           |
|-----------------------------------|-----------------|-----------|
| Ljudtrycksnivå (K=3 dB(A)) .....  | 88 dB (A) ..... | 88 dB (A) |
| Ljudeffektsnivå (K=3 dB(A)) ..... | 99 dB (A) ..... | 99 dB (A) |

**Använd hörselskydd!**

Totala vibrationsvärden (vektorsumma ur tre riktningar) framtaget enligt EN 60745.

|                                                                         |                             |                       |
|-------------------------------------------------------------------------|-----------------------------|-----------------------|
| Hammarborrning in betong: svängningsemissionsvärde a <sub>h</sub> ..... | 12,2 m/s <sup>2</sup> ..... | 12,2 m/s <sup>2</sup> |
| Onoggrannhet K = .....                                                  | 1,5 m/s <sup>2</sup> .....  | 1,5 m/s <sup>2</sup>  |
| Mejsla: svängningsemissionsvärde a <sub>h</sub> .....                   | 7,4 m/s <sup>2</sup> .....  | 7,4 m/s <sup>2</sup>  |
| Onoggrannhet K = .....                                                  | 1,5 m/s <sup>2</sup> .....  | 1,5 m/s <sup>2</sup>  |

**VARNING**

Den i de här anvisningarna angivna vibrationsnivån har uppmätts enligt ett i EN 60745 normerat mätförfarande och kan användas vid jämförelse mellan olika elverktyg. Nivån är även lämplig att använda vid en preliminär bedömning av vibrationsbelastningen.

Den angivna vibrationsnivån representerar den huvudsakliga användningen av det aktuella elverktyget. Men om elverktyget ska användas i andra användningsområden, tillsammans med avvikande insatsverktyg eller efter otillräckligt underhåll, kan vibrationsnivån skilja sig. Det kan öka vibrationsbelastningen betydligt under hela arbetstiden.

För att få en exaktare bedömning av vibrationsbelastningen ska även den tid beaktas, under vilken elverktyget är avstängt eller är påslaget, utan att det verkligen används. Det kan reducera vibrationsbelastningen betydligt under hela arbetstiden.

Lägg som skydd för användaren fast extra säkerhetsåtgärder mot vibrationernas verkan, som till exempel: underhåll av elverktyg och insatsverktyg, varmhållning av händer och organisering av arbetsförlopp.

**⚠️ VARNING! Läs alla säkerhetsanvisningar och andra tillhörande anvisningar, även de i den medföljande broschyren.** Fel som uppstår till följd av att anvisningarna nedan inte följts kan orsaka elstöt, brand och/eller allvarliga kroppsskador.

**Förvara alla varningar och anvisningar för framtida bruk.**

**SÄKERHETSUTRUSTNING**

**Bär hörselskydd.** Bullerbelastning kan orsaka hörselskador.

**Använd de extrahandtag som levereras tillsammans med maskinen.** Förlust av kontrollen kan leda till personskador.

**Pitele laitetta vain eristetyistä tarttumapainnoista, kun suoritat sellaisia töitä, joissa leikkaustyökalu saattaa osua piilossa oleviin sähköjohtoihin.** Leikkaustyökalun yhteys jännitteelliseen johtoon saattaa tehdä laitteen metalliset osat jännitteellisiksi ja aiheuttaa sähköiskun.

Använd alltid skyddsglasögon, skyddshandskar och hörselskydd.

Avlägsna aldrig spån eller flisor när maskinen är igång.

Det damm som bildas under arbetets gång är ofta hälsofarligt och det ska inte komma in i kroppen. Bär därför lämplig skyddsmask.

Drag ur batteripaket innan arbete utföres på maskinen.

Kasta inte förbrukade batterier. Lämna dem till Milwaukee Tools för återvinning.

Förvara ej batteriet ihop med metallföremål, kortslutning kan uppstå.

System Milwaukee 18 V batterier laddas endast i System Milwaukee 18 V laddare. Ladda inte batterier från andra system.

**CE-FÖRSÄKRAN**

Vi intygar och ansvarar för, att denna produkt överensstämmer med följande norm och dokument  
 EN 60745-1:2009 + A11:2010  
 EN 60745-2-6:2010  
 EN 55014-1:2006 + A1:2009 + A2:2011  
 EN 55014-2:1997 + A1:2001 + A2:2008  
 enl. bestämmelser och riktlinjerna  
 2011/65/EU (RoHS)  
 2006/42/EG  
 2004/108/EG



Winnenden, 2012-08-02

*Rainer Kumpf*

Rainer Kumpf  
 Director Product Development

Befullmäktigad att sammanställa teknisk dokumentation.

**BATTERIER**

Beakta dessutom de speciella instruktionerna för Milwaukee Milwaukee 18 V ackumulatorer i laddarens bruksanvisning.

Nya batterier uppnår max effekt efter 4-5 laddningscykler. Batteri som ej använts på länge måste laddas före nytt bruk.

En temperatur över 50°C reducerar batteriets effekt. Undvik längre uppvärmning tex i solen eller nära ett element.

Se till att anslutningskontaktarna i laddaren och på batteriet är rena.

För att få en så lång livslängs som möjligt bör laddningsbara batterier avlägsnas från laddaren när de är laddade.

Om laddningsbara batterier lagras längre än 30 dagar:

Lagra batteriet torrt och vid ca 27°C.

Lagra batteriet vid ca 30%-50% av laddningskapaciteten.

Ladda batterierna på nytt var 6:e månad.

**SKÖTSEL**

Se till att motorhöljets luftslitsar är rena.

Viktig! I samband med kolbyten är en översyn på serviceverkstad att rekommendera. Detta för att höja maskinens livslängd och garantera ytterligare driftssäkerhet.

Använd endast Milwaukee-tillbehör och Milwaukee-reservdelar. Komponenter, för vilka inget byte beskrivs, skall bytas ut hos Milwaukee-kundtjänst (se broschyren garanti-/kundtjänstadresser).

Vid behov av sprängskiss, kan en sådan, genom att uppge maskinens art. nr. (som finns på typskylten) erhållas från: Milwaukee Electric Tool, Max-Eyth-Straße 10, D-71364 Winnenden, Germany.

**SYMBOLER**

Läs instruktionen noga innan du startar maskinen.



Tillbehör - Ingår ej i leveransomfånget, erhålles som tillbehör.



Drag ur batteripaket innan arbete utföres på maskinen.



Elektriska verktyg får inte kastas i hushållssoporna! Enligt direktivet 2002/96/EG som avser äldre elektrisk och elektronisk utrustning och dess tillämpning enligt nationell lagstiftning ska uttjänta elektriska verktyg sorteras separat och lämnas till miljövänlig återvinning.

## TEKNISET ARVOT Akkuporavasara HD 18 H HD 18 HX

|                                                    |                          |                          |
|----------------------------------------------------|--------------------------|--------------------------|
| Poran ø betoniin                                   | 24 mm                    | 24 mm                    |
| Poran ø teräkseen                                  | 13 mm                    | 13 mm                    |
| Poran ø puuhun                                     | 30 mm                    | 30 mm                    |
| Kevytporan kärki tiilikiveen ja kalkkihiekkakiveen | 50 mm                    | 50 mm                    |
| Kuormittamaton kierrosluku                         | 1400 min <sup>-1</sup>   | 1400 min <sup>-1</sup>   |
| Kuormitettu iskutaajuus                            | 0-4200 min <sup>-1</sup> | 0-4200 min <sup>-1</sup> |
| Yksittäisen yksön voima                            | 2,4 J                    | 2,4 J                    |
| Kiinnityskaulan ø                                  | 43 mm                    | 43 mm                    |
| Akku malli                                         | Li-Ion                   | Li-Ion                   |
| Jännite vaihtoakku                                 | 18 V                     | 18 V                     |
| Paino EPTA-menetelty 01/2003 mukaan                | 3,5 kg                   | 3,7 kg                   |

### Melunpäästö-/tärinätiedot

Mitta-arvot määritetty EN 60 745 mukaan.

Koneen tyypillinen A-luokitettu melutaso:

|                               |           |           |
|-------------------------------|-----------|-----------|
| Melutaso (K = 3 dB(A))        | 88 dB (A) | 88 dB (A) |
| Äänenvoimakkuus (K = 3 dB(A)) | 99 dB (A) | 99 dB (A) |

### Käytä kuulosuojaimia!

Värähtelyn yhteisarvot (kolmen suunnan vektorisumma) mitattuna EN 60745 mukaan.

|                                                                  |                       |                       |
|------------------------------------------------------------------|-----------------------|-----------------------|
| Vasaraporaukseen, betoniin: värähtelyn päästöarvo a <sub>h</sub> | 12,2 m/s <sup>2</sup> | 12,2 m/s <sup>2</sup> |
| Epävarmuus K =                                                   | 1,5 m/s <sup>2</sup>  | 1,5 m/s <sup>2</sup>  |
| talttaus: värähtelyn päästöarvo a <sub>h</sub>                   | 7,4 m/s <sup>2</sup>  | 7,4 m/s <sup>2</sup>  |
| Epävarmuus K =                                                   | 1,5 m/s <sup>2</sup>  | 1,5 m/s <sup>2</sup>  |

## VAROITUS

Näissä ohjeissa mainittu värähtelytaso on mitattu EN 60745 -standardin mukaisella mittausmenetelmällä ja sitä voidaan käyttää sähkötyökalujen vertaamiseen. Sitä voidaan käyttää myös värähtelyrasituksen väliaikaiseen arviointiin.

Mainittu värähtelytaso edustaa sähkötyökalun pääasiallista käyttöä. Jos sähkötyökalua kuitenkin käytetään muihin tehtäviin, poikkeavin työkaluin tai riittämättömästi huoltaen, värähtelytaso voi olla erilainen. Se voi korottaa värähtelyrasitusta koko työajan osalta.

Tarkan värähtelyrasituksen toteamiseen tulee ottaa huomioon aika, jona laite on kytketty pois tai on kylläkin päällä, mutta ei käytössä. Se voi pienentää värähtelyrasitusta koko työajan osalta.

Määritelte lisäturvatoimenpiteitä käyttäjän suojaamiseksi värinöiden vaikutukselta, kuten esimerkiksi: sähkötyökalujen ja käyttötyökalujen huolto, käsien lämpimän pitäminen, työvaiheiden organisaatio.

## VAROITUS! Lue kaikki, myös oheistetussa esitteessä annetut turvallisuusmääräykset ja käyttöohjeet.

Turvallisuusohjeiden noudattamisen laiminlyönti saattaa johtaa sähköiskuun, tulipaloon ja/tai vakavaan loukkaantumiseen.

**Säilytä kaikki turvallisuus- ja muut ohjeet tulevaisuutta varten.**

## TURVALLISUUSOHJEET

**Käytä korvasuojia.** Altistuminen melulle voi vahingoittaa kuuloa.

**Käytä koneen mukana toimitettua apukahvaa.** Koneen hallinnan menetys saattaa aiheuttaa henkivahinkoja.

**Pitele laitetta vain eristetyistä tarttumapinnoista, kun suoritat sellaisia töitä, joissa leikkaustyökalu saattaa osua piilossa oleviin sähköjohtoihin tai omaan liitäntäjohtoon.** Leikkaustyökalun yhteys jännitteelliseen johtoon saattaa tehdä laitteen metalliset osat jännitteellisiksi ja aiheuttaa sähköiskun.

Käytä laitteella työskennellessäsi aina suojalaseja. Suojakäsineiden, turvallisien ja tukevapohjaisten kenkien, kuulosuojainten ja suojaesiliinan käyttöä suositellaan.

Lastuja tai puruja ei saa poistaa koneen käydessä.

Koneen käytöstä aiheutuva pöly ja jäte voi olla haitallista terveydelle eikä sen vuoksi tulisi päästä kosketukseen ihon kanssa. Koneella työskennellessä on käytettävä sopivaa suojainta.

Ota akku pois ennen kaikkia koneeseen tehtäviä toimenpiteitä.

Käytettyjä vaihtoakkuja ei saa polttaa eikä poistaa normaalin jätehuollon kautta. Milwaukeeella on tarjolla vanhoja vaihtoakkuja varten ympäristöystävällinen jätehuoltopalvelu.

## TODISTUS CE-STANDARDINMUKAISUUDESTA

Todistamme täten ja vastaamme yksin siitä, että tämä tuote on alluueteltujen standardien ja standardoimisasiakirjojen vaatimusten mukainen.  
EN 60745-1:2009 + A11:2010  
EN 60745-2-6:2010  
EN 55014-1:2006 + A1:2009 + A2:2011  
EN 55014-2:1997 + A1:2001 + A2:2008  
seuraavien sääntöjen mukaisesti  
2011/65/EU (RoHS)  
2006/42/EY  
2004/108/EY



Winnenden, 2012-08-02

*Rainer Kumpf*

Rainer Kumpf  
Director Product Development

Valtuutettu kokoamaan tekniset dokumentit.

## AKKU

Noudata latauslaitteen käyttöohjeessa annettuja Milwaukee 18 V -akkuja koskevia erityisiä ohjeita.

Uudet vaihtoakut saavuttavat täyden varauskyvyn 4-5 latauksen ja purkauksen jälkeen. Pitkään käyttämättä olleet vaihtoakut on ladattava ennen käyttöä.

Yli 50°C lämpötilassa akun suorituskyky heikkenee. Välttämättä akkujen säilyttämistä auringossa tai kuumissa tiloissa.

Pidä aina latauslaitteen ja akun kosketuspinnat puhtaina.

Mahdollisimman pitkän elinajan takaamiseksi akut tulee poistaa laturista lataamisen jälkeen.

Akkuja yli 30 päivää säilytettäessä:  
Säilytä akku yli 27 °C:ssa ja kuivassa.  
Säilytä akku sen latauksen ollessa 30 % - 50 %.  
Lataa akku 6 kuukauden välein uudelleen.

## HUOLTO

Pidä moottorin ilmanottoaukot puhtaina.

Hiiltenvaihdon lisäksi jotkut muutkin huoltotoimenpiteet saattavat olla tarpeen. Koneen pitkän kestoajan ja luotettavan toimintavalmiuden turvaamiseksi, suosittelemme näissä tapauksissa kääntymistä valtuutetun huoltokorjaamon puoleen.

Käytä ainoastaan Milwaukee lisätarvikkeita ja Milwaukee varaosia. Mikäli jokin komponentti, jota ei ole kuvailtu, tarvitsee vaihtoa ota yhteys johonkin Milwaukee palvelupisteistä (kts. listamme takuuhuoltoilikkeiden/ palvelupisteiden osoitteista)

Tarpeen vaatiessa voit pyytää lähettämään laitteen kokoonpanopiirustuksen ilmoittamalla arvokilven kymmennumeroisen numeron seuraavasta osoitteesta:  
Milwaukee Electric Tool, Max-Eyth-Straße 10,  
D-71364 Winnenden, Germany.

## SYMBOLIT



Lue käyttöohjeet huolellisesti, ennen koneen käynnistämistä.



Lisälaite - Ei sisälly vakiovarustukseen, saatavana lisäturvitekena.



Ota akku pois ennen kaikkia koneeseen tehtäviä toimenpiteitä.



Älä hävitä sähkötyökalua tavallisen kotitalousjätteen mukana! Vanhoja sähkö- ja elektroniikkalaitteita koskevan EU-direktiivin 2002/96/ETY ja sen maakohtaisten sovellusten mukaisesti käytetyt sähkötyökalut on toimitettava ongelmajätteen keräyspisteeseen ja ohjattava ympäristöystävälliseen kierrätykseen.



**ΤΕΧΝΙΚΑ ΣΤΟΙΧΕΙΑ ΠΕΡΙΣΤΡΟΦΙΚΟ ΠΙΣΤΟΛΕΤΟ ΜΠΑΤΑΡΙΑΣ HD 18 H HD 18 HX**

|                                                     |                                |                          |
|-----------------------------------------------------|--------------------------------|--------------------------|
| Ø τρύπας σε σκυρόδεμα (μπετόν).....                 | 24 mm.....                     | 24 mm                    |
| Ø τρύπας σε χάλυβα.....                             | 13 mm.....                     | 13 mm                    |
| Ø τρύπας σε ξύλο.....                               | 30 mm.....                     | 30 mm                    |
| Ελαφριά ποττροκορόνα σε τούβλο και ασβεστόλιθο..... | 50 mm.....                     | 50 mm                    |
| Αριθμός στροφών χωρίς φορτίο.....                   | 1400 min <sup>-1</sup> .....   | 1400 min <sup>-1</sup>   |
| Μέγιστος αριθμός κρούσεων με φορτίο.....            | 0-4200 min <sup>-1</sup> ..... | 0-4200 min <sup>-1</sup> |
| Ενέργεια ξεχωριστής κρούσης.....                    | 2,4 J.....                     | 2,4 J                    |
| Ø λαϊμού σύσφιξης.....                              | 43 mm.....                     | 43 mm                    |
| Τύπος μπαταρίας.....                                | Li-Ion.....                    | Li-Ion                   |
| Τάση ανταλλακτικής μπαταρίας.....                   | 18 V.....                      | 18 V                     |
| Βάρος σύμφωνα με τη διαδικασία ΕΡΤΑ 01/2003.....    | 3,5 kg.....                    | 3,7 kg                   |

**Πληροφορίες θορύβου/δονήσεων**  
 Τιμές μέτρησης εξακριβωμένες κατά EN 60 745.  
 Η σύμφωνη με την καμπύλη A εκτιμηθείσα στάθμη θορύβου του μηχανήματος αναφέρεται σε:  
 Στάθμη ηχητικής πίεσης (K = 3 dB(A)).....88 dB (A).....88 dB (A)  
 Στάθμη ηχητικής ισχύος (K = 3 dB(A)).....99 dB (A).....99 dB (A)

**Φοράτε προστασία ακοής (ωτασπίδες)!**  
 Ολικές τιμές κραδασμών (άθροισμα διανυσμάτων τριών δυνάμεων) εξακριβώθηκαν σύμφωνα με τα πρότυπα του EN 60745.  
 Τρύπημα, Σκυρόδεμα (μπετόν): Τιμή εκπομπής δονήσεων a<sub>h</sub>.....12,2 m/s<sup>2</sup>.....12,2 m/s<sup>2</sup>  
 Ανασφάλεια K = .....1,5 m/s<sup>2</sup>.....1,5 m/s<sup>2</sup>  
 Σμίλευση: Τιμή εκπομπής δονήσεων a<sub>h</sub>.....7,4 m/s<sup>2</sup>.....7,4 m/s<sup>2</sup>  
 Ανασφάλεια K = .....1,5 m/s<sup>2</sup>.....1,5 m/s<sup>2</sup>

**ΠΡΟΕΙΔΟΠΟΙΗΣΗ**  
 Το αναφερόμενο σ' αυτές τις οδηγίες επίπεδο δονήσεων έχει μετρηθεί με μια τυποποιημένη σύμφωνα με το EN 60745 μέθοδο μέτρησης και μπορεί να χρησιμοποιηθεί για τη σύγκριση των ηλεκτρικών εργαλείων μεταξύ τους. Αυτό είναι επίσης κατάλληλο για μια προσωρινή εκτίμηση της επιβάρυνση των δονήσεων.

Το αναφερόμενο επίπεδο δονήσεων αντιπροσωπεύει τις κύριες χρήσεις του ηλεκτρικού εργαλείου. Εάν όμως το ηλεκτρικό χρησιμοποιείται σε άλλες χρήσεις, με διαφορετικά εργαλεία εφαρμογής ή ανεπαρκή συντήρηση, μπορεί να υπάρξει απόκλιση του επιπέδου δονήσεων. Αυτό μπορεί να αυξήσει σημαντικά την επιβάρυνση των δονήσεων για τη συνολική διάρκεια της εργασίας.

Για μια ακριβή εκτίμηση της επιβάρυνσης των δονήσεων οφείλουν επίσης να λαμβάνονται υπόψη οι χρόνοι, στους οποίους η συσκευή είναι απενεργοποιημένη ή είναι μεν ενεργοποιημένη αλλά δεν χρησιμοποιείται πραγματικά. Αυτό μπορεί να μειώσει σημαντικά την επιβάρυνση των δονήσεων για τη συνολική διάρκεια της εργασίας.

Καθορίζετε πρόσθετα μέτρα ασφαλείας για την προστασία του χειριστή από την επίδραση των δονήσεων όπως για παράδειγμα: Συντήρηση του ηλεκτρικού εργαλείου και των εργαλείων εφαρμογής, διατηρείτε ζεστά τα χέρια, οργάνωση των διαδικασιών εργασίας.

**▲ ΠΡΟΕΙΔΟΠΟΙΗΣΗ! Διαβάστε όλες τις Υποδείξεις ασφαλείας και τις Οδηγίες, και αυτές στο επισυναπτόμενο φυλλάδιο.** Αμέλειες κατά την τήρηση των προειδοποιητικών υποδείξεων μπορεί να προκαλέσουν ηλεκτροπληξία, κίνδυνο πυρκαγιάς ή/και σοβαρούς τραυματισμούς.  
**Φυλάξτε όλες τις προειδοποιητικές υποδείξεις και οδηγίες για κάθε μελλοντική χρήση.**

**ΕΙΔΙΚΕΣ ΥΠΟΔΕΙΞΕΙΣ ΑΣΦΑΛΕΙΑΣ**

**Φοράτε ωτασπίδες.** Η επίδραση θορύβου μπορεί να προκαλέσει απώλεια ακοής.

**Χρησιμοποιείτε με τη συσκευή τις προμηθευόμενες πρόσθετες χειρολαβές.** Η απώλεια ελέγχου μπορεί να οδηγήσει σε τραυματισμό.

**Να πιάνετε τη συσκευή στις μονωμένες χειρολαβές όταν εκτελείτε εργασίες κατά τις οποίες τα κοπτικά εργαλεία θα μπορούσαν να πέσουν επάνω σε κρυμμένα καλώδια ρεύματος.** Η επαφή των κοπτικών εργαλείων με αγωγό τροφοδοσίας τάσης μπορεί να θέσει τα μεταλλικά τμήματα της συσκευής υπ'όταση και να προκαλέσει ηλεκτροπληξία.

Στις εργασίες με τη μηχανή φοράτε πάντοτε προστατευτικά γυαλιά. Συνιστανται τα προστατευτικά γάντια, τα σταθερά και αντιολισθητικά παπούτσια και η ποδιά.

Τα γρέζια ή τα σκλήθρες δεν επιτρέπεται να απομακρύνονται με κινούμενη τη μηχανή.

Η σκόνη που δημιουργείται κατά την εργασία είναι συχνά επιβλαβής για την υγεία και δεν επιτρέπεται να έλθει στο σώμα. Να φοράτε κατάλληλη μάσκα προστασίας από σκόνη.

Πριν από κάθε εργασία στη μηχανή αφαιρείτε την ανταλλακτική μπαταρία.

**ΔΗΛΩΣΗ ΠΙΣΤΟΤΗΤΑΣ ΕΚ**

Δηλώνουμε με αποκλειστική μας ευθύνη, ότι αυτό το προϊόν ανταποκρίνεται στα ακόλουθα πρότυπα ή έγγραφα τυποποίησης:  
 EN 60745-1:2009 + A11:2010  
 EN 60745-2-6:2010  
 EN 55014-1:2006 + A1:2009 + A2:2011  
 EN 55014-2:1997 + A1:2001 + A2:2008  
 σύμφωνα με τις διατάξεις των οδηγιών 2011/65/EU (RoHS) 2006/42/EK 2004/108/EK



Winnenden, 2012-08-02

*Rainer Kumpf*

Rainer Kumpf  
 Director Product Development  
 Εξουσιοδοτημένος να συντάξει τον τεχνικό φάκελο.

**ΜΠΑΤΑΡΙΕΣ**

Προσέχετε τις ειδικές υποδείξεις για Milwaukee Milwaukee 18 V μπαταρίες στις οδηγίες χειρισμού της συσκευής φόρτισης.

Οι νέες ανταλλακτικές μπαταρίες φθάνουν στην πλήρη χωρητικότητά τους μετά από 4-5 κύκλους φόρτισης και εκφόρτισης. Επαναφορτίστε τις ανταλλακτικές μπαταρίες που δεν έχουν χρησιμοποιηθεί για μεγαλύτερο χρονικό διάστημα πριν τη χρήση.

Μια θερμοκρασία πάνω από 50°C μειώνει την ισχύ της ανταλλακτικής μπαταρίας. Αποφύγετε τη θέρμανση για μεγαλύτερο χρονικό διάστημα από τον ήλιο ή τις συσκευές θέρμανσης.

Διατηρείτε τις επαφές σύνδεσης στο φορτιστή και στην ανταλλακτική μπαταρία καθαρές.

Για μια κατά το δυνατόν μεγάλη διάρκεια ζωής οι μπαταρίες μετά τη φόρτιση οφείλουν να αφαιρεθούν από το φορτιστή.

Για την αποθήκευση της μπαταρίας για διάστημα μεγαλύτερο των 30 ημερών:  
 Αποθηκεύετε τη μπαταρία περ. στους 27°C σε στεγνό χώρο.  
 Αποθηκεύετε τη μπαταρία περ. στο 30%-50% της κατάστασης φόρτισης.  
 Κάθε 6 μήνες φορτίζετε εκ νέου τη μπαταρία.

**ΣΥΝΤΗΡΗΣΗ**

Διατηρείτε πάντοτε τις οχιαμές εξαιρισμού στη μηχανή καθαρές.

Σε περίπτωση που οι ψήκτρες (καρβονάκια) είναι φθαρμένες, επιπλέον της αλλαγής των ψηκτρών, πρέπει να εκτελεστεί και ένα σέρβις σ' ένα συνεργείο σέρβις. Αυτό μεγαλώνει τη διάρκεια ζωής της μηχανής και εγγυάται μια συνεχή ετοιμότητα για λειτουργία.

Χρησιμοποιείτε μόνο πρόσθ. εξαρτήματα Milwaukee και ανταλλακτικά Milwaukee. Κατ'ασκ. τμήματα, που η αλλαγή τους δεν περιγράφεται, αντικαθίστανται σε μια τεχνική υποστήριξη της Milwaukee (βλέπε φυλλάδιο εγγύηση/διευθύνσεις τεχνικής υποστήριξης).

Όταν χρειάζεται, μπορείτε να ζητήσετε ένα σχέδιο συναρμολόγησης της συσκευής, δίνοντας τον τύπο της μηχανής και το δεκαψήφιο αριθμό στην πινακίδα ισχύος, από το κέντρο σέρβις ή απευθείας από τη φίρμα Milwaukee Electric Tool, Max-Eyth-Sträe 10, D-71364 Winnenden, Germany.

**ΣΥΜΒΟΛΑ**



Παρακαλώ διαβάστε σχολαστικά τις οδηγίες χρήσης πριν από την έναρξη λειτουργίας.



Εξαρτήματα - Δεν περιλαμβάνονται στα υλικά παράδοσης, συστατούμενη προσθήκη από το πρόγραμμα εξαρτημάτων.



Πριν από κάθε εργασία στη μηχανή αφαιρείτε την ανταλλακτική μπαταρία.



Μην πετάτε τα ηλεκτρικά εργαλεία στον κάδο οικιακών απορριμμάτων! Σύμφωνα με την ευρωπαϊκή οδηγία 2002/96/EK περί ηλεκτρικών και ηλεκτρονικών συσκευών και την ενσωμάτωση της στο εθνικό δίκαιο, τα ηλεκτρικά εργαλεία πρέπει να συλλέγονται ξεχωριστά και να πισιτρώνονται για ανακύκλωση με τρόπο φιλικό προς το περιβάλλον.



## TEKNİK VERİLER

| Akü matkap çekici                               | HD 18 H                  | HD 18 HX                 |
|-------------------------------------------------|--------------------------|--------------------------|
| Delme çapı beton                                | 24 mm                    | 24 mm                    |
| Delme çapı çelikte                              | 13 mm                    | 13 mm                    |
| Delme çapı tahta                                | 30 mm                    | 30 mm                    |
| Tuğla ve kireçli kum taşında hafif kaya ucu ile | 50 mm                    | 50 mm                    |
| Boştaki devir sayısı                            | 1400 min <sup>-1</sup>   | 1400 min <sup>-1</sup>   |
| Yükteki darbe sayısı                            | 0-4200 min <sup>-1</sup> | 0-4200 min <sup>-1</sup> |
| Tek darbe enerjisi                              | 2,4 J                    | 2,4 J                    |
| Germe boynu çapı                                | 43 mm                    | 43 mm                    |
| Akü tipi                                        | Li-Ion                   | Li-Ion                   |
| Kartuş akü gerilimi                             | 18 V                     | 18 V                     |
| Ağırlığı ise EPTA-üretici 01/2003'e göre        | 3,5 kg                   | 3,7 kg                   |

### Gürültü/Vibrasyon bilgileri

Ölçüm değerleri EN 60 745 e göre belirlenmektedir.

Aletin, frekansa bağımlı uluslararası ses basıncı seviyesi

değerlendirme eğrisi A'ya göre tipik gürültü seviyesi:

|                                       |           |           |
|---------------------------------------|-----------|-----------|
| Ses basıncı seviyesi (K=3 dB(A))      | 88 dB (A) | 88 dB (A) |
| Akustik kapasite seviyesi (K=3 dB(A)) | 99 dB (A) | 99 dB (A) |

### Koruyucu kulaklık kullanın!

Toplam titreşim değeri (üç yönün vektör toplamı) EN 60745'e

göre belirlenmektedir:

|                                                    |                       |                       |
|----------------------------------------------------|-----------------------|-----------------------|
| Delme, beton: Esneme emisyon değeri a <sub>h</sub> | 12,2 m/s <sup>2</sup> | 12,2 m/s <sup>2</sup> |
| Tolerans K =                                       | 1,5 m/s <sup>2</sup>  | 1,5 m/s <sup>2</sup>  |
| Kesikleme: Esneme emisyon değeri a <sub>h</sub>    | 7,4 m/s <sup>2</sup>  | 7,4 m/s <sup>2</sup>  |
| Tolerans K =                                       | 1,5 m/s <sup>2</sup>  | 1,5 m/s <sup>2</sup>  |

## UYARI

Bu talimatlarda belirtilen titreşim seviyesi, EN 60745 standardına uygun bir ölçme metodu ile ölçülmüştür ve elektrikli el aletleri birbirleriyle karşılaştırmak için kullanılabilir. Ölçüm sonuçları ayrıca titreşim yükünün geçici değerlendirmesi için de uygundur.

Belirtilen titreşim seviyesi, elektrikli el aletinin genel uygulamaları için geçerlidir. Ancak elektrikli el aleti başka uygulamalar için, farklı eklenti parçalarıyla ya da yetersiz bakım koşullarında kullanılırsa, titreşim seviyesi farklılık gösterebilir. Bu durumda, titreşim yükü toplam çalışma zaman aralığı içerisinde belirgin ölçüde yükselebilir.

Titreşim yükünün tam bir değerlendirmesi için ayrıca cihazın kapalı olduğu süreler ve cihazın çalışır durumda olduğu, ancak gerçek kullanımda bulunmadığı süreler de dikkate alınmalıdır. Böylelikle, toplam çalışma zamanı aralığı boyunca meydana gelen titreşim yükü belirgin ölçüde azaltılabilir.

Kullanıcıyı titreşimlerin etkisinden korumak üzere, örneğin elektrikli el aletlerinin ve eklenti parçalarının bakımı, ellerin sıcak tutulması ve iş akışlarının organizasyonu gibi ek güvenlik tedbirleri belirleyiniz.

**UYARI! Güvenlikle ilgili bütün açıklamaları, talimatları ve ilişikteki broşürde yazılı bulunan hususları okuyunuz.** Açıklanan uyarılara ve talimat hükümlerine uyulmadığı takdirde elektrik çarpmalarına, yangınlara ve/veya ağır yaralanmalara neden olunabilir. **Bütün uyarıları ve talimat hükümlerini ileride kullanmak üzere saklayın.**

## GÜVENLİĞİNİZ İÇİN TALİMATLAR

**Koruyucu kulaklık kullanın.** Çalışırken çıkan gürültü işitme kayıplarına neden olabilir.

**Aletle birlikte teslim edilen ek tutamakları kullanın.** Aletin kontrolden çıkması kazalara neden olabilir.

**Kesme aletinin eğrilmiş elektrik kabloları isabet eden çalışmalar yapılırken cihazı izole edilmiş kollarından tutun.** Kesme aletinin içinden elektrik akımı geçen kablo ile temas etmesi durumunda elektrik akımı cihazın metal kısımlarına geçer ve elektrik çarpmasına sebebiyet verebilir.

Aletle çalışırken daima koruyucu gözlük kullanın. Koruyucu iş eldivenleri, sağlam ve kaymaz ayakkabılar ve iş önlüğü kullanmanızı tavsiye ederiz.

Alet çalışır durumda iken talaş ve kırpıntıları temizlemeye çalışmayın.

Çalışma sırasında ortaya çıkan toz genellikle sağlığa zararlıdır ve bedenize temas etmemelidir. Uygun bir koruyucu toz maskesi kullanın

Aletin kendinde bir çalışma yapmadan önce kartuş aküyü çıkarın.

Kullanılmış kartuş aküleri ateşe veya ev çöplerine atmayın. Milwaukee, kartuş akülerin çevreye zarar vermeyecek biçimde

## GE UYGUNLUK BEYANI

Tek sorumlu olarak bu ürünün aşağıdaki normlara ve norm dokümanlarına uygunluğunu beyan ederiz:

EN 60745-1:2009 + A11:2010

EN 60745-2-6:2010

EN 55014-1:2006 + A1:2009 + A2:2011

EN 55014-2:1997 + A1:2001 + A2:2008

yönetmelik hükümleri

2011/65/EU (RoHS)

2006/42/EC

2004/108/EC



Winnenden, 2012-08-02

*Rainer Kumpf*

Rainer Kumpf  
Director Product Development

Teknik evrakları hazırlamakla görevlendirilmiştir.

## AKÜ

Milwaukee Milwaukee 18 V Aküleri için yükleme cihazının kullanma talimatındaki özel açıklayıcı bilgileri dikkate alınız.

Yeni kartuş aküler ancak 4-5 şarj/deşarj işleminden sonra tam kapasitelerine ulaşırlar. Uzun süre kullanım dışı kalmış kartuş aküleri kullanmadan önce şarj edin.

50°C üzerindeki sıcaklıklar kartuş akünün performansını düşürür. Akünün güneş ışığı veya mekân sıcaklığı altında uzun süre ısınmamasına dikkat edin.

Şarj cihazı ve kartuş aküdeki bağlantı kontaklarını temiz tutun.

Ömrünün mümkün olduğu kadar uzun olması için akülerin yükleme yapıldıktan sonra doldurma cihazından uzaklaştırılması gerekir.

Akünün 30 günden daha fazla depolanması halinde: Aküyü takriben 27°C'de kuru olarak depolayın. Aküyü yükleme durumunun takriben % 30 - %50 olarak depolayın. Aküyü her 6 ay yeniden doldurun.

## BAKIM

Aletin havalandırma aralıklarını daima temiz tutun.

Önemli açıklama! Yıpranan kömür fırçalar bir müşteri servisinde değiştirilmelidir. Bu sayede aletin kullanım ömrü uzar ve alet daima çalışmaya hazır olur.

Sadece Milwaukee aksesuarı ve yedek parçası kullanın. Nasıl değiştirileceği açıklanmamış olan yapı parçalarını bir Milwaukee müşteri servisinde değiştirin (Garanti ve servis adresi broşürüne dikkat edin).

Gerektiği takdirde aletin günlük görünüş şeması, alet tipinin ve tip etiketi üzerindeki on hanelik sayının bildirilmesi koşuluyla müşteri servisinde veya doğrudan Milwaukee Electric Tool, Max-Eyth-Straße 10, D-71364 Winnenden, Germany adresinden istenebilir.

## SEMBOLLER



Lütfen aleti çalıştırmadan önce kullanma kılavuzunu dikkatli biçimde okuyun.



Aksesuar - Teslimat kapsamında değildir, önerilen tamamlamalar aksesuar programında.



Aletin kendinde bir çalışma yapmadan önce kartuş aküyü çıkarın.



Elektrikli el aletlerini evdeki çöp kutusuna atmayınız! Kullanılmıys elektrikli aletleri, elektrik ve elektronik eski cihazlar hakkındaki 2002/96/EC Avrupa yönergelerine göre ve bu yönergeler ulusal hukuk kurallarına göre uyarlanarak, ayrı olarak toplanmalı ve çevre şartlarına uygun bir şekilde tekrar değerlendirilmeye gönderilmelidir.

**TECHNICKÁ DATA**

|                                                        | Aku vrtací kladiva       | HD 18 H                  | HD 18 HX                 |
|--------------------------------------------------------|--------------------------|--------------------------|--------------------------|
| Vrtací ø v betonu .....                                | 24 mm                    | 24 mm                    | 24 mm                    |
| Vrtací ø v oceli .....                                 | 13 mm                    | 13 mm                    | 13 mm                    |
| Vrtací ø v dřevě .....                                 | 30 mm                    | 30 mm                    | 30 mm                    |
| Lehké vrtací korunky do cihel a pískovce .....         | 50 mm                    | 50 mm                    | 50 mm                    |
| Počet otáček při běhu naprázdno .....                  | 1400 min <sup>-1</sup>   | 1400 min <sup>-1</sup>   | 1400 min <sup>-1</sup>   |
| Počet úderů .....                                      | 0-4200 min <sup>-1</sup> | 0-4200 min <sup>-1</sup> | 0-4200 min <sup>-1</sup> |
| Jednorázová energie .....                              | 2,4 J                    | 2,4 J                    | 2,4 J                    |
| ø upínacího krčku .....                                | 43 mm                    | 43 mm                    | 43 mm                    |
| Typ akumulátoru .....                                  | Li-Ion                   | Li-Ion                   | Li-Ion                   |
| Napětí výměnného akumulátoru .....                     | 18 V                     | 18 V                     | 18 V                     |
| Hmotnost podle prováděcího předpisu EPTA 01/2003 ..... | 3,5 kg                   | 3,5 kg                   | 3,7 kg                   |

**Informace o hluku / vibracích**

Naměřené hodnoty odpovídají EN 60 745.

V třídě A posuzovaná hladina hluku přístroje činí typicky:

|                                                |           |           |
|------------------------------------------------|-----------|-----------|
| Hladina akustického tlaku (K = 3 dB(A)) .....  | 88 dB (A) | 88 dB (A) |
| Hladina akustického výkonu (K = 3 dB(A)) ..... | 99 dB (A) | 99 dB (A) |

**Používejte chrániče sluchu !**

Celkové hodnoty vibrací (vektorový součet tří směrů) zjištěné ve smyslu EN 60745.

|                                                                |                       |                       |
|----------------------------------------------------------------|-----------------------|-----------------------|
| Vrtání v betonu: hodnota vibračních emisí a <sub>h</sub> ..... | 12,2 m/s <sup>2</sup> | 12,2 m/s <sup>2</sup> |
| Kolisavost K = .....                                           | 1,5 m/s <sup>2</sup>  | 1,5 m/s <sup>2</sup>  |
| Sekání: hodnota vibračních emisí a <sub>h</sub> .....          | 7,4 m/s <sup>2</sup>  | 7,4 m/s <sup>2</sup>  |
| Kolisavost K = .....                                           | 1,5 m/s <sup>2</sup>  | 1,5 m/s <sup>2</sup>  |

**VAROVÁNÍ**

Úroveň chvění uvedená v tomto návodu byla naměřena podle metody měření stanovené normou EN 60745 a může být použita pro porovnání elektrického nářadí. Hodí se také pro průběžný odhad zatížení chvěním.

Uvedená úroveň chvění představuje hlavní účely použití elektrického nářadí. Jestliže se ale elektrické nářadí používá pro jiné účely, s odlišnými nástroji nebo s nedostatečnou údržbou, může se úroveň chvění odlišovat. To může značně zvýšit zatížení chvěním během celé pracovní doby.

Pro přesný odhad zatížení chvěním se musí také zohlednit časy, během kterých je přístroj vypnutý nebo kdy je sice v chodu, ale skutečně se s ním nepracuje. To může zatížení chvěním během celé pracovní doby značně snížit.

Stanovte doplňková bezpečnostní opatření pro ochranu obsluhy před účinky chvění jako například: technická údržba elektrického nářadí a nástrojů, udržování teploty rukou, organizace pracovních procesů.

**VAROVÁNÍ! Seznamte se se všemi bezpečnostními pokyny a sice i s pokyny v příložené brožůře.** Zanedbání při dodržování varovných upozornění a pokynů mohou mít za následek úder elektrickým proudem, požár a/nebo těžká poranění.

**Všechna varovná upozornění a pokyny do budoucna uschovejte.**

**SPECIÁLNÍ BEZPEČNOSTNÍ UPOZORNĚNÍ**

**Používejte chrániče sluchu.** Působením hluku může dojít k poškození sluchu.

**Používejte doplňková madla dodávaná s přístrojem.** Nedostatečným držením by mohlo dojít ke zranění.

**Při provádění prací, při kterých nástroj může narazit na skryta elektrická vedení, držte přístroj za izolované přídržovací plošky.** Kontakt fezného nástroje s vedením pod napětím může vést k přenosu napětí na kovové části přístroje a k úrazu elektrickým proudem.

Při práci se strojem neustále nosit ochranné brýle. Doporučuje se používat ochranné rukavice, pevnou protiskluzovou obuv a zástěru.

Pokud stroj běží, nesmí být odstraňovány třísky nebo odštěpky.

Prach vznikající při práci s tímto nářadím může být zdraví škodlivý. Proto by neměl přijít do styku s tělem. Používejte při práci vhodnou ochranou masku.

Před zahájením veškerých prací na vrtacím šroubováku vyjmout výměnný akumulátor.

Použitá nevyhazujte do domovního odpadu nebo do ohně. Milwaukee nabízí ekologickou likvidaci starých článků, ptejte se u vašeho obchodníka s nářadím.

**CE-PROHLÁŠENÍ O SHODĚ**

Se vši zodpovědností prohlašujeme, že tento výrobek odpovídá následujícím normám a normativním dokumentům:

EN 60745-1:2009 + A11:2010  
EN 60745-2-6:2010  
EN 55014-1:2006 + A1:2009 + A2:2011  
EN 55014-2:1997 + A1:2001 + A2:2008  
v souladu se směrnici EHS č.  
2011/65/EU (RoHS)  
2006/42/ES  
2004/108/ES



Winnenden, 2012-08-02

*Rainer Kumpf*

Rainer Kumpf  
Director Product Development

Zplnomocněn k sestavování technických podkladů.

**AKUMULÁTORY**

Dbejte pokynů uvedených v návodu k obsluze nabíječky akumulátorů Milwaukee 18 V firmy Milwaukee.

Nový akumulátor dosáhne plné kapacity po 4 - 5 nabíjecích cyklech. Dále nepoužívané akumulátory je nutné před použitím znovu nabít.

Teplota přes 50°C snižuje výkon akumulátoru. Chraňte před dlouhým přehříváním na slunci či u topení.

Kontakty nabíječky a akumulátoru udržujte v čistotě.

K zabezpečení dlouhé životnosti by se akumulátory měly po nabítky vyjmout z nabíječky.

Při skladování akumulátoru po dobu delší než 30 dní: Skladujte akumulátor v suchu při cca 27°C. Skladujte akumulátor při cca 30%-50% nabíjecí kapacity. Opakujte nabíjení akumulátoru každých 6 měsíců.

**ÚDRŽBA**

Větrací štěrbiny nářadí udržujeme stále čisté.

Při obroušení uhlíků je nutná jejich výměna v odborném servisu. Zaručuje to i prodloužení životnosti stroje a jeho spolehlivost v provozu.

Používat výhradně příslušenství Milwaukee a náhradní díly Milwaukee. Díly jejichž výměny nebyla popsána, nechte vyměnit v autorizovaném servisu (viz. Záruky / Seznam servisních míst)

Při potřebě podrobného rozkresu konstrukce, oslovte informaci o typu a desetimístním objednacím čísle přímo servis a nebo výrobce, Milwaukee Electric Tool, Max-Eyth-Straße 10, D-71364 Winnenden, Germany.

**SYMBOLY**

Před spuštěním stroje si pečlivě přečtěte návod k používání.



Příslušenství není součástí dodávky, viz program příslušenství.



Před zahájením veškerých prací na vrtacím šroubováku vyjmout výměnný akumulátor.



Elektrické nářadí nevyhazujte do komunálního odpadu! Podle evropské směrnice 2002/96/EG o nakládání s použitými elektrickými a elektronickými zařízeními a odpovídajících ustanovení právních předpisů jednotlivých zemí se použitá elektrická nářadí musí sbírat odděleně od ostatního odpadu a podrobit ekologicky šetrnému recyklování.

**TECHNICKÉ ÚDAJE Akumulátorové vrtacie kladivo HD 18 H HD 18 HX**

|                                                                        |                                |                          |
|------------------------------------------------------------------------|--------------------------------|--------------------------|
| Priemer vrtu do betónu.....                                            | 24 mm.....                     | 24 mm                    |
| Priemer vrtu do ocele.....                                             | 13 mm.....                     | 13 mm                    |
| Priemer vrtu do dreva.....                                             | 30 mm.....                     | 30 mm                    |
| Vrtacia korunka na ľahké vrtanie do tehly a vápencového pieskovca..... | 50 mm.....                     | 50 mm                    |
| Počet úderov pri záťaži.....                                           | 1400 min <sup>-1</sup> .....   | 1400 min <sup>-1</sup>   |
| Otáčky naprázdno.....                                                  | 0-4200 min <sup>-1</sup> ..... | 0-4200 min <sup>-1</sup> |
| Energia jedného úderu.....                                             | 2,4 J.....                     | 2,4 J                    |
| Priemer upínacieho hrdla.....                                          | 43 mm.....                     | 43 mm                    |
| Typ akumulátora.....                                                   | Li-Ion.....                    | Li-Ion                   |
| Napätie výmenného akumulátora.....                                     | 18 V ==.....                   | 18 V ==                  |
| Hmotnosť podľa vykonávacieho predpisu EPTA 01/2003.....                | 3,5 kg.....                    | 3,7 kg                   |

**Informácia o hluku / vibráciách**

Namerané hodnoty určené v súlade s EN 60 745.

V triede A posudzovaná hladina hluku prístroja činí typicky:

|                                             |                |           |
|---------------------------------------------|----------------|-----------|
| Hladina akustického tlaku (K=3 dB(A)).....  | 88 dB (A)..... | 88 dB (A) |
| Hladina akustického výkonu (K=3 dB(A))..... | 99 dB (A)..... | 99 dB (A) |

**Používajte ochranu sluchu!**

Celkové hodnoty vibrácií (vektorový súčet troch smerov) zistené v zmysle EN 60745.

|                                                                   |                             |                       |
|-------------------------------------------------------------------|-----------------------------|-----------------------|
| Vrtanie do betónu: hodnota vibračných emisií a <sub>h</sub> ..... | 12,2 m/s <sup>2</sup> ..... | 12,2 m/s <sup>2</sup> |
| Kolisavosť K =.....                                               | 1,5 m/s <sup>2</sup> .....  | 1,5 m/s <sup>2</sup>  |
| Osekávanie: hodnota vibračných emisií a <sub>h</sub> .....        | 7,4 m/s <sup>2</sup> .....  | 7,4 m/s <sup>2</sup>  |
| Kolisavosť K =.....                                               | 1,5 m/s <sup>2</sup> .....  | 1,5 m/s <sup>2</sup>  |

**POZOR**

Úroveň vibrácií uvedená v týchto pokynoch bola nameraná meracou metódou, ktorú stanovuje norma EN 60745 a je možné ju použiť na vzájomné porovnanie elektrického náradia. Hodí sa aj na predbežné posúdenie kmitavého namáhania.

Uvedená úroveň vibrácií reprezentuje hlavné aplikácie elektrického náradia. Ak sa však elektrické náradie používa pre iné aplikácie, s odlišnými vloženými nástrojmi alebo s nedostatočnou údržbou, môže sa úroveň vibrácií líšiť. Toto môže kmitavé namáhanie v priebehu celej pracovnej doby podstatne zvýšiť.

Pre presný odhad kmitavého namáhania by sa mali tiež zohľadniť doby, v ktorých je náradie vypnuté alebo je síce v chode, ale v skutočnosti sa nepoužíva. Toto môže kmitavé namáhanie v priebehu celej pracovnej doby zreteľne redukovať.

Stanovte dodatočné bezpečnostné opatrenia pre ochranu obsluhy pred účinkami vibrácií, ako napríklad: údržba elektrického náradia a vložených nástrojov, udržiavanie teploty rúk, organizácia pracovných postupov.

**⚠ POZOR! Zoznámte sa so všetkými bezpečnostnými pokynmi a síce aj s pokynmi v priloženej brožúre.**  
Zanedbanie dodržiavania Výstražných upozornení a pokynov uvedených v nasledujúcom texte môže mať za následok zásah elektrickým prúdom, spôsobiť požiar a/alebo ťažké poranenie.  
**Tieto Výstražné upozornenia a bezpečnostné pokyny starostlivo uschovajte na budúce použitie.**

**Špeciálne bezpečnostné pokyny**

**Používajte ochranu sluchu.** Pôsobenie hluku môže spôsobiť stratu sluchu.

**Používajte prídavné rukaväte dodané spolu s prístrojom.** Strata kontroly nad strojom môže viesť k zraneniu.

**Pri realizovaní prác, pri ktorých nástroj môže naraziť na skryté elektrické vedenia, držte prístroj za izolované pridrôzovacie plošky.** Kontakt rezného nástroja s vedením pod napätím môže viesť k prenosu napätia na kovové časti prístroja a k úrazu elektrickým prúdom.

Pri práci so strojom vždy noste ochranné okuliare. Odporúčame ochranné rukavice, pevnú protišmykovú obuv a zásteru.

Triesky alebo úlomky sa nesmú odstraňovať za chodu stroja.

Prach vznikajúci pri práci môže byť škodlivý zdraviu. Pri práci nosiť vhodnú ochrannú masku, aby sa nedostal do ľudského organizmu.

Pred každou prácou na stroji výmenný akumulátor vytriahnuť.

Opotrebované výmenné akumulátory nezahadzujte do ohňa alebo medzi domový odpad. Milwaukee ponúka likvidáciu starých výmenných akumulátorov, ktorá je v súlade s ochranou životného prostredia; informujte sa u Vášho predajcu.

Výmenné akumulátory neskladovať spolu s kovovými predmetmi (nebezpečenstvo skratu).

Výmenné akumulátory systému Milwaukee 18 V nabíjať len nabíjacími zariadeniami systému Milwaukee 18 V. Akumulátory iných systémov týmto zariadením nenabíjať.

Výmenné akumulátory a nabíjacie zariadenia neatvárať a skladovať len v suchých priestoroch. Chrániť pred vlhkosťou.

Pri extrémnych záťažach alebo extrémnych teplotách môže dôjsť k vytekaniu batérovej tekutiny z poškodeného výmenného akumulátora. Ak dôjde ku kontaktu pokožky s roztokom, postihnuté miesto umyť vodou a mydlom. Ak sa roztok dostane do očí, okamžite ich dôkladne vypláchnuť po dobu min. 10 min a bezodkladne vyhľadať lekára.

Do zasúvacieho otvoru pre výmenné akumulátory na nabíjacom zariadení, sa nesmú dostať žiadne kovové predmety (nebezpečenstvo skratu).

**POUŽITIE PODĽA PREDPISOV**

AKU-vrtacie kladivo je univerzálne použiteľné na sekanie do kameňa a na vrtanie do dreva, kovu a plastu nezávisle od sieťovej prípojky.

Tento prístroj sa smie používať len v súlade s uvedenými predpismi.

**CE - VYHLÁSENIE KONFORMITY**

Vyhlasujeme v našej výhradnej zodpovednosti, že tento produkt zodpovedá nasledovným normám alebo normatívnym dokumentom.

EN 60745-1:2009 + A11:2010  
EN 60745-2-6:2010  
EN 55014-1:2006 + A1:2009 + A2:2011  
EN 55014-2:1997 + A1:2001 + A2:2008  
podľa predpisov smerníc  
2011/65/EU (RoHS)  
2006/42/EC  
2004/108/EC



Winnenden, 2012-08-02

*Rainer Kumpf*

Rainer Kumpf  
Director Product Development

Splnomocnený zostaviť technické podklady.

**AKUMULÁTORY**

Dbajte na pokyny uvedené v návode k obsluhu nabíjačky akumulátorov Milwaukee 18 V firmy Milwaukee.

Nové výmenné akumulátory dosiahnu svoju maximálnu kapacitu po 4-5 nabitách a vybitiach. Dlhší čas nepoužívané výmenné akumulátory pred použitím dobiť.

Teplota vyššia ako 50°C znižuje výkon výmenného akumulátora. Zabráňte dlhšiemu ohriatiu slnkom alebo kúrením.

Pripájacie kontakty na nabíjacom zariadení a výmennom akumulátore udržiavať čisté.

K zabezpečeniu dlhej životnosti by sa akumulátory mali po nabití vybrať z nabíjačky.

Pri skladovaní akumulátora po dobu dlhšiu než 30 dní: Skladujte akumulátor v suchu pri cca 27°C. Skladujte akumulátor pri cca 30%-50% nabíjacej kapacity. Opakujte nabíjanie akumulátora každých 6 mesiacov.

**ÚDRŽBA**

Vetracie otvory udržiavať stále v čistote.

Pri opotrebovaných uhlíkových kefách by sa mala vykonať okrem výmeny uhlíkových kef v zákaznickom centre aj prehliadka prístroja. Toto predlžuje životnosť prístroja a zaručuje stálu funkčnosť.

Používať len Milwaukee príslušenstvo a Milwaukee náhradné diely. Súčiastky bez návodu na výmenu treba dať vymeniť v jednom z Milwaukee zákaznických centier (viď brožúru Záruka/ Adresy zákaznických centier).

Pri udaní typu stroja a desaťmiestneho čísla nachádzajúceho sa na štítku dá sa v prípade potreby vyžiadať explozívna schéma prístroja od Vášho zákaznického centra alebo priamo v Milwaukee Electric Tool, Max-Eyth-Straße 10, D-71364 Winnenden, Germany.

**SYMBOLY**

Pred prvým použitím prístroja si pozorne prečítajte návod na obsluhu.



Príslušenstvo - nie je súčasťou štandardnej výbavy, odporúčané doplnenie z programu príslušenstva.



Pred každou prácou na stroji výmenný akumulátor vytriahnuť.



Elektrické náradie nevyhadzujte do komunálneho odpadu! Podľa európskej smernice 2002/96/EG o nakladaní s použitými elektrickými a elektronickými zariadeniami a zodpovedajúcich ustanovení právnych predpisov jednotlivých krajín sa použité elektrické náradie musí zbierať oddelene od ostatného odpadu a podrobiť ekologicky šetrnej recyklácii.

**DANE TECHNICZNE** Młotkiewiartka akumulatorowa HD 18 H HD 18 HX

|                                               |                          |                          |
|-----------------------------------------------|--------------------------|--------------------------|
| Zdolność wiercenia w betonie                  | 24 mm                    | 24 mm                    |
| Zdolność wiercenia w stali                    | 13 mm                    | 13 mm                    |
| Zdolność wiercenia w drewnie                  | 30 mm                    | 30 mm                    |
| Koronka wiertnicza lekka do cegieł i wapienia | 50 mm                    | 50 mm                    |
| Prędkość bez obciążenia                       | 1400 min <sup>-1</sup>   | 1400 min <sup>-1</sup>   |
| Częstotliwość uderzenia przy obciążeniu       | 0-4200 min <sup>-1</sup> | 0-4200 min <sup>-1</sup> |
| Energia pojedynczego uderzenia                | 2,4 J                    | 2,4 J                    |
| Średnica szypki uchwytu                       | 43 mm                    | 43 mm                    |
| Typ akumulatora                               | Li-Ion                   | Li-Ion                   |
| Napięcie baterii akumulatorowej               | 18 V                     | 18 V                     |
| Ciężar wg procedury EPTA 01/2003              | 3,5 kg                   | 3,7 kg                   |

**Informacja dotycząca szumów/wibracji**

Zmierzone wartości wyznaczono zgodnie z normą EN 60 745.

Poziom szumów urządzenia oszacowany jako A wynosi typowo:

|                                             |           |           |
|---------------------------------------------|-----------|-----------|
| Poziom ciśnienia akustycznego (K = 3 dB(A)) | 88 dB (A) | 88 dB (A) |
| Poziom mocy akustycznej (K = 3 dB(A))       | 99 dB (A) | 99 dB (A) |

**Należy używać ochraniaczy uszu!**

Wartości łączne drgań (suma wektorowa trzech kierunków) wyznaczone zgodnie z normą EN 60745

|                                                          |                       |                       |
|----------------------------------------------------------|-----------------------|-----------------------|
| Wiercenie w betonie: wartość emisji drgań a <sub>w</sub> | 12,2 m/s <sup>2</sup> | 12,2 m/s <sup>2</sup> |
| Niepewność K =                                           | 1,5 m/s <sup>2</sup>  | 1,5 m/s <sup>2</sup>  |
| Dłutowanie: wartość emisji drgań a <sub>w</sub>          | 7,4 m/s <sup>2</sup>  | 7,4 m/s <sup>2</sup>  |
| Niepewność K =                                           | 1,5 m/s <sup>2</sup>  | 1,5 m/s <sup>2</sup>  |

**OSTRZEŻENIE**

Podany w niniejszych instrukcjach poziom drgań został zmierzony za pomocą metody pomiarowej zgodnej z normą EN 60745 i może być użyty do porównania ze sobą elektronarzędzi. Nadaje się on również do tymczasowej oceny obciążenia wibracyjnego.

Podany poziom drgań reprezentuje główne zastosowania elektronarzędzia. Jeśli jednakże elektronarzędzie użyte zostanie do innych celów z innymi narzędziami roboczymi lub nie jest dostatecznie konserwowane, wtedy poziom drgań może wykazywać odchylenia. Może to wyraźnie zwiększyć obciążenie wibracjami przez cały okres pracy.

Dla dokładnego określenia obciążenia wibracjami należy uwzględnić również czasy, w których urządzenie jest wyłączone względnie jest włączone, lecz w rzeczywistości nie pracuje. Może to spowodować wyraźną redukcję obciążenia wibracyjnego w całym okresie pracy.

Należy wprowadzić dodatkowe środki zapobiegawcze celem ochrony obsługującego przed oddziaływaniem drgań, jak na przykład: konserwacja narzędzi roboczych i elektronarzędzi, nagrzanie rąk, organizacja przebiegu pracy.

**OSTRZEŻENIE! Prosimy o przeczytanie wskazówek bezpieczeństwa i zaleceń, również tych, które zawarte są w załączonej broszurze.** Błędy w przestrzeganiu poniższych wskazówek mogą spowodować porażenie prądem, pożar i/lub ciężkie obrażenia ciała.  
**Należy starannie przechowywać wszystkie przepisy i wskazówki bezpieczeństwa dla dalszego zastosowania.**

**INSTRUKCJE DOTYCZĄCE BEZPIECZEŃSTWA**

**Stosować środki ochrony słuchu!** Narażenie na hałas może spowodować utratę słuchu.

**Stosować uchwytów pomocniczych dostarczonych z narzędziem.** Utrata kontroli może spowodować obrażenia.

**Trzymaj urządzenie za izolowane powierzchnie chwytne gdy wykonujesz roboty, w trakcie których narzędzie skrawające może natrafić na ukryte przewody prądu.** Styczność narzędzia skrawającego z będącym pod napięciem przewodem może spowodować podłączenie części metalowych urządzenia do napięcia i prowadzić do porażenia prądem elektrycznym.

Podczas pracy należy zawsze nosić okulary ochronne. Zalecane jest także noszenie rękawic, mocnego, nieślizgającego się obuwia oraz ubrania roboczego.

Podczas pracy elektronarzędzia nie wolno usuwać trocin ani drzazg.

Kurz powstający przy pracy z tym elektronarzędziem może być szkodliwy dla zdrowia, w związku z tym nie powinien dotrzeć do ciała. Nosić odpowiednią maskę przeciwpyłową.

Przed przystąpieniem do jakichkolwiek prac na elektronarzędziu należy wyjąć wkładkę akumulatorową.

Zużytych akumulatorów nie wolno wrzucać do ognia ani traktować jako odpadów domowych. Milwaukee oferuje ekologiczną utylizację zużytych akumulatorów.

Nie przechowywać akumulatorów wraz z przedmiotami metalowymi (niebezpieczeństwo zwarcia).

Akumulatory Systemu Milwaukee 18 V należy ładować wyłącznie przy pomocy ładowarek Systemu Milwaukee 18 V. Nie ładować przy pomocy tych ładowarek akumulatorów innych systemów.

Nie otwierać wkładek akumulatorowych i ładowarek. Przechowywać w suchych pomieszczeniach. Chronić przed wilgocią.

W skrajnych warunkach temperaturowych lub przy bardzo dużym obciążeniu może dochodzić do wycieku kwasu akumulatorowego z uszkodzonych baterii akumulatorowych. W przypadku kontaktu z kwasem akumulatorowym należy natychmiast przemyć miejsce kontaktu wodą z mydłem. W przypadku kontaktu z oczami należy dokładnie przepłukiwać oczy przynajmniej przez 10 minut i zwrócić się natychmiast o pomoc medyczną.

Do ładowarki nie wolno wkładać żadnych przedmiotów metalowych (niebezpieczeństwo zwarcia).

**WARUNKI UŻYTKOWANIA**

Obrotowy młot pneumatyczny nadaje się do wiercenia udarowego i wiercenia w drewnie, metalu i tworzywach sztucznych.

Produkt można użytkować wyłącznie zgodnie z jego normalnym przeznaczeniem.

**DEKLARACJA ZGODNOŚCI CE**

Oświadczamy na naszą wyłączoną odpowiedzialność, że produkt ten odpowiada wymaganiom następujących norm i dokumentów normatywnych:  
EN 60745-1:2009 + A11:2010  
EN 60745-2-6:2010  
EN 55014-1:2006 + A1:2009 + A2:2011  
EN 55014-2:1997 + A1:2001 + A2:2008  
i jest zgodny z wymaganiami dyrektywy 2011/65/EU (RoHS)  
2006/42/WE  
2004/108/WE



Winnenden, 2012-08-02

*Rainer Kumpf*

Rainer Kumpf  
Director Product Development

Upelnomocniony do zestawienia danych technicznych

**BATERIE AKUMULATOROWE**

Zwraca uwagę na specjalne wskazówki dla akumulatorów Milwaukee Milwaukee 18 V w instrukcji obsługi urządzenia do ładowania.

Nowe baterie akumulatorowe osiągają swoją pełną pojemność po 4 - 5 cyklach ładowania i rozładowywania. Akumulatory, które nie były przez dłuższy czas użytkowane, należy przed użyciem naładować.

W temperaturze powyżej 50°C następuje spadek osiągniętych przez wkładki akumulatorowej. Unikaj długotrwałego wystawienia na oddziaływanie ciepła lub promieni słonecznych (niebezpieczeństwo przegrzania).

Styki ładowarek i wkładek akumulatorowych należy utrzymywać w czystości

Dla zapewnienia możliwie długiej żywotności akumulatory należy wyjąć z ładowarki po ich naładowaniu.

W przypadku składowania akumulatorów dłużej aniżeli 30 dni: Przechowywać je w suchym miejscu w temperaturze ok. 27°C. Przechowywać je w stanie naładowanym do ok. 30% - 50%. Ładować je ponownie co 6 miesięcy.

**UTRZYMANIE I KONSERWACJA**

Otwory wentylacyjne elektronarzędzia muszą być zawsze drożne.

**Ważne!** W przypadku zużycia szczotek węglowych po ich wymianie elektronarzędzie należy przekazać do serwisu obsługi posprzedażnej. Zapewni to długi okres użytkowania i maksymalne osiągi elektronarzędzia.

Używać tylko i wyłącznie wyposażenia dodatkowego Milwaukee i części zamiennych Milwaukee. Gdyby trzeba było wymienić części, które nie zostały opisane, należy skontaktować się z przedstawicielem serwisu Milwaukee (patrz wykaz adresów punktów usługowych/gwarancyjnych).

Na życzenie można otrzymać rysunek widoku zespołu rozebranego. Przy zamawianiu należy podać dziesięćcyfrowy numer oraz typ elektronarzędzia umieszczony na tabliczce znamionowej. Zamówienia można dokonać albo u lokalnych przedstawicieli serwisu, albo bezpośrednio w Milwaukee Electric Tool, Max-Eyth-Straße 10, D-71364 Winnenden, Germany.

**SYMBOLE**

Przed uruchomieniem elektronarzędzia zapoznać się uważnie z treścią instrukcji.



Wyposażenie dodatkowe dostępne osobno.



Przed przystąpieniem do jakichkolwiek prac na elektronarzędziu należy wyjąć wkładkę akumulatorową.



Nie wyrzucaj elektronarzędzi wraz z odpadami z gospodarstwa domowego! Zgodnie z Europejską Dyrektywą 2002/96/WE w sprawie zużytego sprzętu elektrotechnicznego i elektronicznego oraz dostosowaniem jej do prawa krajowego, zużyte elektronarzędzia należy posegregować i zutylizować w sposób przyjazny dla środowiska.



| MŰSZAKI ADATOK                           | Akkumulátoros fúrókalapács | HD 18 H                  | HD 18 HX                 |
|------------------------------------------|----------------------------|--------------------------|--------------------------|
| Furat- $\emptyset$ betonba.....          | 24 mm                      | 24 mm                    | 24 mm                    |
| Furat- $\emptyset$ acélba.....           | 13 mm                      | 13 mm                    | 13 mm                    |
| Furat- $\emptyset$ fába.....             | 30 mm                      | 30 mm                    | 30 mm                    |
| Fúrókorona téglába és mészkőbe.....      | 50 mm                      | 50 mm                    | 50 mm                    |
| Üresjárat fordulatszám.....              | 1400 min <sup>-1</sup>     | 1400 min <sup>-1</sup>   | 1400 min <sup>-1</sup>   |
| Ütésszám terhelés alatt.....             | 0-4200 min <sup>-1</sup>   | 0-4200 min <sup>-1</sup> | 0-4200 min <sup>-1</sup> |
| Egyedi ütoenergia.....                   | 2,4 J                      | 2,4 J                    | 2,4 J                    |
| Feszítőnyak- $\emptyset$ .....           | 43 mm                      | 43 mm                    | 43 mm                    |
| Akkumulátor típusa.....                  | Li-Ion                     | Li-Ion                   | Li-Ion                   |
| Akkumulátor feszültség.....              | 18 V                       | 18 V                     | 18 V                     |
| Súly a 01/2003 EPTA-eljárás szerint..... | 3,5 kg                     | 3,7 kg                   | 3,7 kg                   |

### Zaj-Vibráció-információ

A között értékek megfelelnek az EN 60 745 szabványnak.

A készülék munkahelyi zajszintje tipikusan:

Hangnyomás szint (K=3 dB(A)).....88 dB (A) .....88 dB (A)  
 Hangteljesítmény szint (K=3 dB(A)).....99 dB (A) .....99 dB (A)

### Hallásvédő eszköz használata ajánlott!

Összesített rezgésértékek (három irány vektorális összege) az

EN 60745-nek megfelelően meghatározva.

Ütvefűráshoz betonba: a<sub>h</sub> rezgésemisszió érték.....12,2 m/s<sup>2</sup>.....12,2 m/s<sup>2</sup>

K bizonytalanság = .....1,5 m/s<sup>2</sup>.....1,5 m/s<sup>2</sup>

Vésés: a<sub>r</sub> rezgésemisszió érték.....7,4 m/s<sup>2</sup>.....7,4 m/s<sup>2</sup>

K bizonytalanság = .....1,5 m/s<sup>2</sup>.....1,5 m/s<sup>2</sup>

### FIGYELMEZTETÉS

A jelen utasításokban megadott rezgésszint értéke az EN 60745-ben szabályozott mérési eljárásnak megfelelően került leméreésre, és használható elektromos szerszámokkal történő összehasonlításhoz. Az érték alkalmas a rezgésterhelés előzetes megbecsülésére is.

A megadott rezgésszint-érték az elektromos szerszám legfőbb alkalmazásait reprezentálja. Ha az elektromos szerszámot azonban más alkalmazásokhoz, eltérő használt szerszámokkal vagy nem elegendő karbantartással használják, a rezgésszint értéke eltérő lehet. Ez jelentősen megnövelheti a rezgésterhelést a munkavégzés teljes időtartama alatt.

A rezgésterhelés pontos megbecsüléséhez azokat az időket is figyelembe kell venni, melyekben a készülék lekapcsolódik, vagy ugyan működik, azonban ténylegesen nincs használatban. Ez jelentősen csökkentheti a rezgésterhelést a munkavégzés teljes időtartama alatt.

Határozzon meg további biztonsági intézkedéseket a kezelő védelmére a rezgések hatása ellen, például: az elektromos és a használt szerszámok karbantartásával, a kezek melegen tartásával, a munkafolyamatok megszervezésével.

**▲ FIGYELMEZTETÉS! Olvasson el minden biztonsági útmutatást és utasítást, a mellékelt brosúrában találhatóak is.** A következőkben leírt előírások betartásának elmulasztása áramütésekhez, tűzhöz és/vagy súlyos testi sérülésekhez vezethet.  
**Kérjük a későbbi használatra gondosan őrizze meg ezeket az előírásokat.**

### KÜLÖNLEGES BIZTONSÁGI TUDNIVALÓK

**Viseljen hallásvédőt.** A zajhatás a hallás elvesztését eredményezheti.

**Használja a készülékkel együtt szállított kézifogantyúkat.** A készülék fölötti ellenőrzés elvesztése sérüléseket okozhat.

**A készüléket a szigetelt markolatfelületeket fogva tartsa, ha olyan munkálatokat végez, melyeknél a vágószerszám rejtett elektromos vezetékekbe.** A vágószerszám feszültségvezető vezetékkel való érintkezésekor a készülék fém részei is feszültség alá kerülhetnek, és elektromos áramütés következhet be.

Munkavégzés közben ajánlatos védőszemüveget viselni. Védőkesztyű, zárt és csúszásmentes cipő, valamint védőkötény használata szintén javasolt.

A munka közben keletkezett forgácsokat, szilánkokat, törmelékét, stb. csak a készülék teljes leállása után szabad a munkaterületről eltávolítani.

A munka során keletkező por gyakran egészségre káros, ezért ne kerüljön a szervezetbe. Hordjon e célra alkalmas porvédőmaszkot.

Karbantartás, javítás, tisztítás, stb. előtt az akkumulátort ki kell venni a készülékből.

A használt akkumulátort ne dobja tűzbe vagy a háztartási szemétkébe. Tájékozódjon a szakszerű megsemmisítés helyi lehetőségeiről.

Az akkumulátort ne tárolja együtt fém tárgyakkal. (Rövidzárlat veszélye).

Az „Milwaukee 18 V” elnevezésű rendszerhez tartozó akkumulátorokat kizárólag a rendszerhez tartozó töltővel tölts fel. Ne használjon más rendszerbe tartozó töltőt.

Az akkumulátort, töltőt nem szabad megbontani és kizárólag száraz helyen szabad tárolni. Nedvességtől óvni kell.

Akkumulátor sav folyhat a sérült akkumulátorból extrém terhelés alatt, vagy extrém hő miatt. Ha az akkumulátor sav a bőrére kerül azonnal mossa meg szappanos vízzel. Szembe kerülés esetén folyóvíz alatt tartsa a szemét minimum 10 percig és azonnal forduljon orvoshoz.

Ügyeljen arra, hogy a töltő aknájába ne kerüljön semmilyen fém tárgy, mert ez rövidzárlatot okozhat.

### RENDELTETTÉSSZERŰ HASZNÁLAT

Akkumulátoros fúrókalapács általánosan használható ütvefűráshoz kőzetekbe, valamint fűráshoz fába, fémbe és műanyagba.

A készüléket kizárólag az alábbiakban leírtaknak megfelelően szabad használni.

### CE-AZONOSSÁGI NYILATKOZAT

Teljes felelősségünk tudatában kijelentjük, hogy jelen termék megfelel a következő szabványoknak vagy szabványossági dokumentumoknak:  
 EN 60745-1:2009 + A11:2010  
 EN 60745-2-6:2010  
 EN 55014-1:2006 + A1:2009 + A2:2011  
 EN 55014-2:1997 + A1:2001 + A2:2008  
 irányelvek határozataival egyetértésben  
 2011/65/EU (RoHS)  
 2006/42/EK  
 2004/108/EK



Winnenden, 2012-08-02

*Rainer Kumpf*

Rainer Kumpf  
 Director Product Development

Műszaki dokumentáció összeállításra felhatalmazva

### AKKUK

Vegye figyelembe a Milwaukee Milwaukee 18 V akkura vonatkozó speciális útmutatásokat, amelyek a töltőkészülék kezelési utasításában található!

Új akkumulátor a teljes kapacitást 4-5 töltési/lemerülési ciklus után éri el. A hosszabb ideig üzemben kívül lévő akkumulátort használat előtt ismételtelen fel kell tölteni.

50°C feletti hőmérsékletnél csökkenhet az akkumulátor teljesítménye. Kerülni kell a túlzottan meleg helyen vagy napon történő hosszabb idejű tárolást.

A töltő és az akkumulátor csatlakozóit mindig tisztán kell tartani.

A lehetőleg hosszú élettartamhoz az akkukat feltöltés után ki kell venni a töltőkészülékből.

Az akku 30 napot meghaladó tárolása esetén:

Az akkut kb. 27 °C-on, száraz helyen kell tárolni.

Az akkut kb. 30-50%-os töltöttségi állapotban kell tárolni.

Az akkut 6 havonta újra fel kell tölteni.

### KARBANTARTÁS

A készülék szellőzőnyílásait mindig tisztán kell tartani.

Az elhasználdott szénkeféket az illetékes márkaszervizzel haladéktalanul kell kicseréltetni, így jelentősen megnövelhető a készülék élettartama és garantált a folyamatos üzemkész állapot.

Csak Milwaukee tartozékokat és Milwaukee pótalkatrészeket szabad használni. Az olyan elemeket, melyek cseréje nincs ismertette, cseréltesse ki Milwaukee szervizzel (lásd Garancia/Ügyfélszolgálat címe kiadványt).

Szükség esetén a készülékek robbantott ábráját - a készülék típusa és tízjegyű azonosító száma alapján a területileg illetékes Milwaukee márkaszerviztől vagy közvetlenül a gyártótól (Milwaukee Electric Tool, Max-Eyth-Straße 10, D-71364 Winnenden, Germany) lehet kérni.

### SZIMBÓLUMOK



Kérjük alaposan olvassa el a tájékoztatót mielőtt a gépet használja.



Azokat a tartozékokat, amelyek gyárilag nincsenek a készülékhez mellékelve, külön lehet megrendelni.



Karbantartás, javítás, tisztítás, stb. előtt az akkumulátort ki kell venni a készülékből.



Az elektromos kéziszerszámokat ne dobja a háztartási szemétkébe!  
 A használt villamos és elektronikai készülékekről szóló 2002/96/EK irányelv és annak a nemzeti jogba való átültetése szerint az elhasznált elektromos kéziszerszámokat külön kell gyűjteni, és környezetbarát módon újra kell hasznosítani.



**TEHNIČNI PODATKI**

| Baterijska rotacijska kladiva                         | HD 18 H                  | HD 18 HX                 |
|-------------------------------------------------------|--------------------------|--------------------------|
| Vrtalni $\phi$ v betonu .....                         | 24 mm                    | 24 mm                    |
| Vrtalni $\phi$ v jeklu .....                          | 13 mm                    | 13 mm                    |
| Vrtalni $\phi$ v lesu .....                           | 30 mm                    | 30 mm                    |
| Lahka vrtalna krona v opeki in apnenem peščencu ..... | 50 mm                    | 50 mm                    |
| Število vrtljajev v prostem teku .....                | 1400 min <sup>-1</sup>   | 1400 min <sup>-1</sup>   |
| Bremensko število udarcev .....                       | 0-4200 min <sup>-1</sup> | 0-4200 min <sup>-1</sup> |
| Energija posameznega udarca .....                     | 2,4 J                    | 2,4 J                    |
| Vpenjalni vrat $\phi$ .....                           | 43 mm                    | 43 mm                    |
| Tip akumulatorja .....                                | Li-Ion                   | Li-Ion                   |
| Napetost izmenljivega akumulatorja .....              | 18 V                     | 18 V                     |
| Teža po EPTA-proceduri 01/2003 .....                  | 3,5 kg                   | 3,7 kg                   |

**Informacije o hrupnosti/vibracijah**

Vrednosti merjenja ugotovljene ustrezno z EN 60 745.

Raven hrupnosti naprave ovrednotena z A, znaša tipično:

|                                         |           |           |
|-----------------------------------------|-----------|-----------|
| Nivo zvočnega tlaka (K=3 dB(A)) .....   | 88 dB (A) | 88 dB (A) |
| Višina zvočnega tlaka (K=3 dB(A)) ..... | 99 dB (A) | 99 dB (A) |

**Nosite zaščito za sluh!**

Skupna vibracijska vrednost (Vektorska vsota treh smeri) določena ustrezno EN 60745.

|                                                                 |                       |                       |
|-----------------------------------------------------------------|-----------------------|-----------------------|
| Udarno vrtnje v betonu: Vibracijska vrednost emisij $a_h$ ..... | 12,2 m/s <sup>2</sup> | 12,2 m/s <sup>2</sup> |
| Nevarnost K = .....                                             | 1,5 m/s <sup>2</sup>  | 1,5 m/s <sup>2</sup>  |
| Klesanje: Vibracijska vrednost emisij $a_h$ .....               | 7,4 m/s <sup>2</sup>  | 7,4 m/s <sup>2</sup>  |
| Nevarnost K = .....                                             | 1,5 m/s <sup>2</sup>  | 1,5 m/s <sup>2</sup>  |

**OPOZORILO**

V teh navodilih navedena raven treslajev je bila izmerjena po EN60745 normiranem merilnem postopku in lahko služi medsebojni primerjavi električnih orodij. Prav tako je primeren za predhodno oceno obremenitve s treslaji.

Navedena raven treslajev navaja najpomembnejše vrste rabe električnega orodja. Kadar se električno orodje uporablja za drugačne namene, z odstopajočimi orodji ali pa z nezadostnim vzdrževanjem, lahko raven treslajev tudi odstopa. Le to lahko čez celoten delovni čas znatno zviša obremenitev s tresenjem.

Za natančno oceno obremenitve s treslaji naj bi se upošteval tudi čas v katerem je naprava izklopljena ali sicer teče, vendar dejansko ni v rabi. Le to lahko obremenitev s treslaji čez celoten delovni čas znatno zmanjša.

Za zaščito upravljalca pred učinkom treslajev uvedite dodatne zaščitne ukrepe npr.: Vzdrževanje električnega orodja in orodja, delo s toplimi rokami, organizacija delovnih potekov.

**⚠ OPOZORILO! Preberite vsa varnostna opozorila in navodila, tudi tista v priloženi brošuri.** Napake zaradi neupoštevanja spodaj navedenih opozoril in napotil lahko povzročijo električni udar, požar in/ali težke telesne poškodbe. **Vsa opozorila in napotila shranite, ker jih boste v prihodnje še potrebovali.**

**SPECIALNI VARNOSTNI NAPOTKI****Nosite zaščito za sluh.** Razvijanje hrupa lahko povzroči izgubo sluha.**Uporabite dodatne ročaje, ki so dobavljeni skupaj z napravo.** Izguba kontrole lahko povzroči poškodbe.**Kadar izvajate dela pri katerih lahko orodje zadane prikrto električno napeljavo, je napravo potrebno držati za izolirane prijemalne površine.** Stik rezalnega orodja z napetostnim vodnikom napeljave lahko privede kovinske dele naprave pod napetost in vodi do električnega udara.

Pri delu s strojem vedno nosite zaščitna očala. Priporočamo zaščitne rokavice, trdno obuvalo, varno proti drsenju ter predpasnik.

Trske ali iveri se pri tekočem stroju ne smejo odstranjevati.

Prah, ki nastaja pri delu, je pogosto zdravju škodljiv in naj ne zaide v telo. Nosite ustrezno masko proti prahu.

Pred deli na stroju izvlecite izmenljivi akumulator.

Izrabljenih izmenljivih akumulatorjev ne mečite v ogenj ali v gospodinjske odpadke. Milwaukee nudi okolju prijazno odlaganje starih izmenljivih akumulatorjev; prosimo povprašajte vašega strokovnega trgovca.

Izmenljivih akumulatorjev ne hranite skupaj s kovinskimi predmeti (nevarnost kratkega stika).

Izmenljive akumulatorje sistema Milwaukee 18 V polnite samo s polnilnimi aparati sistema Milwaukee 18 V. Ne polnite nobenih akumulatorjev iz drugih sistemov.

Izmenljivih akumulatorjev in polnilnih aparatov ne odpirajte in jih hranite samo v suhih prostorih. Zaščitite jih pred mokroto.

Pod ekstremno obremenitvijo ali ob ekstremni temperaturi iz poškodovanega izmenljivega akumulatorja lahko izteka akumulatorska tekočina. Po stiku z akumulatorsko tekočino prizadeto mesto takoj izperite z vodo in milom. Po stiku z očmi takoj najmanj 10 minut dolgo temeljito izpirajte in nemudoma obiščite zdravnika.

V odprtino za nameščanje izmenljivih akumulatorjev na polnilnih aparatih ne smejo zaiti nikakršni kovinski deli (nevarnost kratkega stika).

**UPORABA V SKLADU Z NAMEDNOSTJO**

Akumulatorski udarni vrtalnik je univerzalno uporaben za udarno vrtnje v kamnu in za vrtnje v lesu, kovini ter umetni masi, neodvisno od omrežnega priključka.

Ta naprava se sme uporabiti samo v skladu z namednostjo uporabiti samo za navede namene.

**CE-IZJAVA O KONFORMNOSTI**

Z lastno odgovornostjo izjavljamo, da je ta produkt skladen z naslednjimi normami ali normativnimi dokumenti.

EN 60745-1:2009 + A11:2010

EN 60745-2-6:2010

EN 55014-1:2006 + A1:2009 + A2:2011

EN 55014-2:1997 + A1:2001 + A2:2008

v skladu z določili smernic

2011/65/EU (RoHS)

2006/42/ES

2004/108/ES



Winnenden, 2012-08-02

Rainer Kumpf

Director Product Development

Pooblaščen za izdelavo spisov tehnične dokumentacije.

**AKUMULATORJI**

Upošteвайте specialne napotke za Milwaukee Milwaukee 18 V akumulatorje v navodilu za uporabo polnilne naprave.

Novi izmenljivi akumulatorji dosežejo svojo polno kapaciteto po 4 – 5 ciklih polnjenja in praznjenja. Izmenljive akumulatorje, ki jih daljši čas niste uporabljali, pred uporabo naknadno napolnite.

Temperatura nad 50°C zmanjšuje zmogljivost izmenljivega akumulatorja. Izogibajte se daljšemu segrevanju zaradi sončnih žarkov ali gretja.

Pazite, da ostanejo priključni kontakti na polnilnem aparatu in izmenljivem akumulatorju čisti.

Za čim daljšo življensko dobo naj se akumulatorji po napolnitvi vzamejo ven iz naprave za polnjenje.

Pri skladiščenju akumulatorjev dalj kot 30 dni:

Akumulator skladiščiti pri 27°C in na suhem.

Akumulator skladiščiti pri 30%-50% stanja polnjenja.

Akumulator spet napolniti vsakih 6 mesecev.

**VZDRŽEVANJE**

Pazite na to, da so prezračevalne reže stroja vedno čiste.

Pri obrabljenih oglenih krtačkah naj se dodatno z zamenjavo oglenih krtačk izvede servisno vzdrževanje v delavnici servisne službe. To podaljša življensko dobo stroja in zagotavlja stalno pripravljenost za obratovanje.

Uporabljajte samo Milwaukee pribor in Milwaukee nadomestne dele. Poskrbite, da sestavne dele, katerih zamenjava ni opisana, zamenjajo v Milwaukee servisni službi (upošteвайте brošuro Garancija/Naslovi servisnih služb).

Po potrebi se lahko pri vaši servisni službi ali direktno pri Milwaukee Electric Tool naroči eksplozijska risba naprave ob navedbi tipa stroja in desetmestne številke s tipske ploščice Milwaukee Electric Tool, Max-Eyth-Straße 10, D-71364 Winnenden, Germany.

**SIMBOLI**

Prosimo, da pred uporabo pozorno preberete to navodilo za uporabo.



Oprema – ni vsebovana v obsegu dobave, priporočeno dopolnilo iz programa opreme.



Pred vsemi deli na stroji odstranite izmenljivi akumulator.



Električnega orodja ne odstranjujte s hišnimi odpadki! V skladu z Evropsko direktivo 2002/96/EG o odpadni elektrini in elektronski opremi in z njenim izvajanjem v nacionalni zakonodaji je treba električna orodja ob koncu njihove življenjske dobe loceno zbirati in jih predati v postopek okolju prijaznega recikliranja.

| TEHNIČKI PODACI                                   | Akumulatorski bučači čekić | HD 18 H                  | HD 18 HX                 |
|---------------------------------------------------|----------------------------|--------------------------|--------------------------|
| Bušenje- $\phi$ u beton                           | 24 mm                      | 24 mm                    | 24 mm                    |
| Bušenje- $\phi$ u čelik                           | 13 mm                      | 13 mm                    | 13 mm                    |
| Bušenje- $\phi$ u drvo                            | 30 mm                      | 30 mm                    | 30 mm                    |
| Laka krunica za bušenje u opeku i silikatnu opeku | 50 mm                      | 50 mm                    | 50 mm                    |
| Broj okretaja praznog hoda                        | 1400 min <sup>-1</sup>     | 1400 min <sup>-1</sup>   | 1400 min <sup>-1</sup>   |
| Broj udaraca pod opterećenjem                     | 0-4200 min <sup>-1</sup>   | 0-4200 min <sup>-1</sup> | 0-4200 min <sup>-1</sup> |
| Energija pojedinačnog udara                       | 2,4 J                      | 2,4 J                    | 2,4 J                    |
| Stezno grlo- $\phi$                               | 43 mm                      | 43 mm                    | 43 mm                    |
| Tip baterije                                      | Li-Ion                     | Li-Ion                   | Li-Ion                   |
| Napon baterije za zamjenu                         | 18 V                       | 18 V                     | 18 V                     |
| Težina po EPTA-proceduri 01/2003                  | 3,5 kg                     | 3,5 kg                   | 3,7 kg                   |

#### Informacije o buci/vibracijama

Mjerne vrijednosti utvrđene odgovarajuće EN 60 745.

A-ocijenjeni nivo buke aparata iznosi tipično:

nivo pritiska zvuka (K=3 dB(A)).....88 dB (A) .....88 dB (A)  
nivo učinka zvuka (K=3 dB(A)).....99 dB (A) .....99 dB (A)

#### Nositi zaštitu sluha!

Ukupne vrijednosti vibracije (Vektor suma tri smjera) su odmjerene odgovarajuće EN 60745

Čekićno bušenje u beton: Vrijednost emisije vibracija  $a_h$  .....12,2 m/s<sup>2</sup> .....12,2 m/s<sup>2</sup>  
Nesigurnost K = .....1,5 m/s<sup>2</sup> .....1,5 m/s<sup>2</sup>  
Klesanje: Vrijednost emisije vibracije  $a_h$  .....7,4 m/s<sup>2</sup> .....7,4 m/s<sup>2</sup>  
Nesigurnost K = .....1,5 m/s<sup>2</sup> .....1,5 m/s<sup>2</sup>

#### UPOZORENIE

Ova u ovim uputama navedena razina titranja je bila izmjerena odgovarajuće jednom u EN 60745 normiranom mjernom postupku i može se upotrijebiti za usporedbu električnog alata međusobno. Ona je prikladna i za privremenu procjenu titrajnog opterećenja.

Navedena razina titranja reprezentira glavne primjene električnog alata. Ukoliko se električni alat upotrebljava u druge svrhe sa odstupajućim primijenjenim alatima ili nedovoljnim održavanjem, onda razina titranja može odstupati. To može titrajno opterećenje kroz cijeli period rada bitno povisiti.

Za točnu procjenu titrajnog opterećenja se moraju uzeti u obzir i vremena u kojima je uređaj isključen ili u kojima doduše radi, ali nije i stvarno u upotrebi. To može titrajno opterećenje bitno smanjiti za vrijeme cijelog radnog perioda.

Utvrđite dodatne sigurnosne mjere za zaštitu poslužioaca protiv djelovanja titranja kao npr.: Održavanje električnih alata i upotrebljenih alata, održavanje topline ruku, organizacija i radne postupke.

**UPOZORENIE! Pročitajte sigurnosne upute i uputnice, isto i one iz priložene brošure.** Ako se ne bi poštivale napomene o sigurnosti i upute to bi moglo uzrokovati strujni udar, požar i/ili teške ozljede.  
**Sačuvajte sve napomene o sigurnosti i upute za buduću primjenu.**

#### SPECIJALNE SIGURNOSNE UPUTE

**Nosite zaštitu za sluh.** Djelovanje buke može dovesti do gubitka sluha.

**Koristite dodatne drške koje su isporučene sa aparatom.** Gubitak kontrole može prouzročiti povrede.

**Držite spravu na izoliranim držačkim površinama kada izvodite radove kod kojih rezački alat može pogoditi skrivene vodove struje.** Kontakt rezačkog alata sa vodovima koji sprovode napon može metalne dijelove sprave dovesti pod napon i tako dovesti do električnog udara.

Kod radova sa strojem uvijek nositi zaštitne naočale. Zaštitne rukavice, čvrste i protiv klizanja sigurne cipele kao i pregača se preporučuju.

Piljevina ili iverje se za vrijeme rada stroja ne smiju odstranjivati.

Prašina koja nastaje prilikom rada je često nezdrava i ne bi smijela dospjeti u tijelo. Nositi prikladnu zaštitnu masku protiv prašine.

Prije svih radova na stroju izvaditi bateriju za zamjenu.

Istrošene baterije za zamjenu ne bacati u vatru ili u kućno smeće. AEG nudi mogućnost uklanjanja starih baterija odgovarajuće okolini. Milwaukee nudi mogućnost uklanjanja starih baterija odgovarajuće okolini; upitajte molimo Vašeg stručnog trgovca.

#### GE-IZJAVA KONFORMNOSTI

Izjavljujemo na osobnu odgovornost, da se ovaj proizvod slaže sa slijedećim normama ili normativnim dokumentima.

EN 60745-1:2009 + A11:2010  
EN 60745-2-6:2010  
EN 55014-1:2006 + A1:2009 + A2:2011  
EN 55014-2:1997 + A1:2001 + A2:2008  
po odredbama smjernica  
2011/65/EU (RoHS)  
2006/42/EC  
2004/108/EC



Winnenden, 2012-08-02

*Rainer Kumpf*

Rainer Kumpf  
Director Product Development

Ovlašten za formiranje tehničke dokumentacije.

#### BATERIJE

Poštivati specijalne upute za Milwaukee Milwaukee 18 V akumulatoru u uputi o rukovanju napravom za punjenje.

Nove baterije postižu svoj puni kapacitet nakon 4-5 ciklusa punjenja i pražnjenja. Baterije koje duže vremena nisu korištene, prije upotrebe napuniti.

Temperatura od preko 50°C smanjuje učinak baterija. Duže zagrijavanje od strane sunca ili grijanja izbjeći.

Priključne kontakte na uređaju za punjenje i baterijama držati čistima.

Za što moguće duži vijek trajanja, akumulatori se nakon punjenja moraju odstraniti iz punjača.

Kod skladištenja akumulatora duže od 30 dana:  
Akumulator skladištiti na suhom kod ca. 27°C.  
Akumulator skladištiti kod ca. 30%-50% stanja punjenja.  
Akumulator ponovno napuniti svakih 6 mjeseci.

#### ODRŽAVANJE

Prereze za prozračivanje stroja uvijek držati čistima.

Kod istrošenih ugljenih četkica bi se uz zamjenu ugljenih četkica trebao dodatno sprovesti servis u nekoj servisnoj radionici. To povećava vijek trajanja stroja i jamči stalnu spremnost pogona.

Primijeniti samo Milwaukee opremu i Milwaukee rezervne dijelove. Sastavne dijelove, čija zamjena nije opisana, dati zamijeniti kod jedne od Milwaukee servisnih službi (poštivati brošuru Garancija/Adrese servisa).

Po potrebi se može zatražiti crtež eksplozije aparata uz davanje podataka o tipu stroja i desetoznamenastog broja na pločici snage kod Vaše servisne službe ili direktno kod Milwaukee Electric Tool, Max-Eyth-Straße 10, D-71364 Winnenden, Germany.

#### SIMBOLI



Molimo da pažljivo pročitate uputu o upotrebi prije puštanja u rad.



Oprema - u opsegu isporuke nije sadržana, preporučena dopuna iz programa opreme.



Prije svih radova na stroju izvaditi bateriju za zamjenu.



Elektricne alate ne odlažite u kućne otpatke! Prema Europskoj direktivi 2002/96/EG o starim električnim i elektroničkim strojevima i preuzimanju u nacionalno pravo moraju se istrošeni električni alati sakupljati odvojeno i odvesti u pogon za reciklažu.

| TEHNISKIE DATI                                         | Akumulatora rotējošais āmurs   | HD 18 H                  | HD 18 HX                 |
|--------------------------------------------------------|--------------------------------|--------------------------|--------------------------|
| Urbšanas diametrs betonā .....                         | 24 mm .....                    | 24 mm                    | 24 mm                    |
| Urbšanas diametrs tēraudā .....                        | 13 mm .....                    | 13 mm                    | 13 mm                    |
| Urbšanas diametrs kokā .....                           | 30 mm .....                    | 30 mm                    | 30 mm                    |
| Vieglais kronurbis ķieģeļiem un kaļķsmilšakmenim ..... | 50 mm .....                    | 50 mm                    | 50 mm                    |
| Apgriezieni tukšgaitā .....                            | 1400 min <sup>-1</sup> .....   | 1400 min <sup>-1</sup>   | 1400 min <sup>-1</sup>   |
| Sitienu biežums ar slodzi .....                        | 0-4200 min <sup>-1</sup> ..... | 0-4200 min <sup>-1</sup> | 0-4200 min <sup>-1</sup> |
| Atsevišķā sitienu enerģija .....                       | 2,4 J .....                    | 2,4 J                    | 2,4 J                    |
| Kakla diametrs .....                                   | 43 mm .....                    | 43 mm                    | 43 mm                    |
| Akumulatora tips .....                                 | Li-Ion .....                   | Li-Ion                   | Li-Ion                   |
| Akumulatora spriegums .....                            | 18 V == .....                  | 18 V ==                  | 18 V ==                  |
| Svars atbilstoši EPTA -Procedure 01/2003 .....         | 3,5 kg .....                   | 3,5 kg                   | 3,7 kg                   |

### Trokšņu un vibrāciju informācija

Vērtības, kas noteiktas saskaņā ar EN 60 745.

A novērtētās aparatūras skaņas līmenis ir:

trokšņa spiediena līmenis (K = 3 dB(A)) ..... 88 dB (A) ..... 88 dB (A)  
trokšņa jaudas līmenis (K = 3 dB(A)) ..... 99 dB (A) ..... 99 dB (A)

### Nēsāt trokšņa slāpētāju!

Svārstību kopējā vērtība (Trīs virzienu vektoru summa) tiek noteikta atbilstoši EN 60745.

Urbšana betonā: svārstību emisiju vērtība a<sub>n</sub> ..... 12,2 m/s<sup>2</sup> ..... 12,2 m/s<sup>2</sup>  
Nedrošība K = ..... 1,5 m/s<sup>2</sup> ..... 1,5 m/s<sup>2</sup>  
Skaldīšana: svārstību emisiju vērtība a<sub>n</sub> ..... 7,4 m/s<sup>2</sup> ..... 7,4 m/s<sup>2</sup>  
Nedrošība K = ..... 1,5 m/s<sup>2</sup> ..... 1,5 m/s<sup>2</sup>

### UZMANĪBU

Instrukcijā norādītā svārstību robežvērtība ir izmērīta mērījumu procesā, kas veikts atbilstoši standartam EN 60745, un to var izmantot elektroinstrumentu savstarpējai salīdzināšanai. Tā ir piemērota arī svārstību noslogojuma pagaidu izvērtēšanai.

Norādītā svārstību robežvērtība ir reprezentatīva elektroinstrumenta pamata pielietojuma jomām. Tomēr, ja elektroinstrumenti tiek pielietoti citās jomās, papildus izmantojot neatbilstošus elektroinstrumentus vai pēc nepieciešamas tehniskās apkopes, tad svārstību robežvērtība var atšķirties. Tas var ievērojami palielināt svārstību noslogojumu visa darba laikā.

Precīzai svārstību noslogojuma noteikšanai, ir jāņem vērā arī laiks, kad ierīces ir izslēgtas vai arī ir ieslēgtas, tomēr faktiski netiek lietota. Tas var ievērojami samazināt svārstību noslogojumu visa darba laikā.

Integrējiet papildus drošības pasākumus pret svārstību ietekmi lietotājam, piemēram: elektroinstrumentu un darba instrumentu tehniskā apkope, roku siltuma uzturēšana, darba procesu organizācija.

**⚠ UZMANĪBU! Izlasiet visu drošības instrukciju un lietošanas pamācību klāt pievienotajā bukletā.** Šeit sniegto drošības noteikumu un norādījumu neievērošana var izraisīt aizdegšanos un būt par cēloni elektriskajam triecienam vai nopietnam savainojumam.  
**Pēc izlasīšanas uzglabājiet šos noteikumus turpmākai izmantošanai.**

### SPECIĀLIE DROŠĪBAS NOTEIKUMI

**Nēsājiet ausu aizsargus.** Trokšņa iedarbības rezultātā var rasties dzirdes traucējumi.

**Lietojiet instrumentam pievienotus papildus rokturus.** Zaudējot kontroli, var gūt ievainojumus.

**Lerīci turiet aiz izolētiem rokturiem, ja veicat darbus, kuros griešanas darbiem izmantojamais instruments var skart paslēptus elektrovadus.** Šī instrumenta saskare ar strāvu vadošiem kabeļiem var radīt spriegumu arī ierīces metāliskajās daļās un var izraisīt elektrisko triecienus.

Strādājot ar mašīnu, vienmēr jānēsā aizsargbrilles. Tiek ieteikts nēsāt arī aizsargcimdus, slēgtus, neslīdošus apavus un priekšautu.

Skaidas un atlūzas nedrīkst ņemt ārā, kamēr mašīna darbojas.

Putekļi, kas rodas darba gaitā, bieži ir kaitīgi veselībai un tiem nevajadzētu nokļūt organismā. Jānēsā piemērota maska, kas pasargā no putekļiem.

Pirms mašīnai veikt jebkāda veida apkopes darbus, ir jāizņem ārā akumulātors.

Izmantotos akumulārus nedrīkst mest ugunī vai parastajos atkritumos. Firma Milwaukee piedāvā iespēju vecos akumulātorus savākt apkārtnē vidi saudzējošā veidā; jautājiet specializētā veikalā.

Akumulātorus nav ieteicams glabāt kopā ar metāla priekšmetiem (iespējams tīslēgums).

Milwaukee 18 V sistēmas akumulātorus lādēt tikai ar Milwaukee 18 V sistēmas lādētājiem. Nedrīkst lādēt citus akumulātorus no citām sistēmām.

Akumulātorus un lādētājus nedrīkst taisīt vaļā un tie jāuzglabā sausās telpās.

Pie ārkārtas slodzes un ārkārtas temperatūrām no bojātā akumulātorā var izteciēt akumulātorā šķidrums. Ja nonākat saskarsmē ar akumulātorā šķidrumu, saskarsmes vieta nekavējoties jānomazgā ar ūdeni un ziepēm. Ja šķidrums nonācis acīs, acis vismaz 10 min. skalot un nekavējoties konsultēties ar ārstu.

Jāuzmanās, lai akumulātoru lādētājā nenokļūtu nekādi metāla priekšmeti (iespējams tīslēgums).

### NOTEIKUMIEM ATBILSTOŠS IZMANTOJUMS

Atskaldāmāis āmurs ar akumulātoriem ir universāli izmantojams akmens skaldīšanai un koka, metāla un plastmasas urbšanai neatkarīgi no tīkla pieslēguma.

Šo instrumentu drīkst izmantot tikai saskaņā ar minētajiem lietošanas noteikumiem.

### ATBILSTĪBA CE NORMĀM

Ar šo apliecinām, ka esam atbildīgi par to, lai šis produkts atbilstu sekojošām normām vai normatīvajiem dokumentiem:

EN 60745-1:2009 + A11:2010  
EN 60745-2-6:2010  
EN 55014-1:2006 + A1:2009 + A2:2011  
EN 55014-2:1997 + A1:2001 + A2:2008  
saskaņā ar direktīvu noteikumiem  
2011/65/EU (RoHS)  
2006/42/EK  
2004/108/EK



Winnenden, 2012-08-02

*Rainer Kumpf*

Rainer Kumpf  
Director Product Development

Pilnvarotais tehniskās dokumentācijas sastādīšana.

### AKUMULĀTORI

Jāievēro speciālās norādes attiecībā uz firmas Milwaukee 18 V akumulātoriem, kas sniegtas lietošanas pamācībā.

Jauni akumulātori saņem pilnu kapacitāti pēc 4-5 uzlādēšanas un izlādēšanas cikliem. Akumulātori, kas ilgāku laiku nav izmantoti, pirms lietošanas jāuzlādē.

Pie temperatūras, kas pārsniedz 50°C, akumulātoru darbība tiek negatīvi ietekmēta. Vajag izvairīties no ilgākas saules un karstuma iedarbības.

Lādētāja un akumulātoru pievienojuma kontakti jāuztur tīri.

Lai akumulātoru kalpotu pēc iespējas ilgāku laiku, tos pēc uzlādes ieteicams atvienot no lādētāj ierīces.

Akumulātoru uzglabāšana ilgāk kā 30 dienas: uzglabāt akumulātoru pie aptuveni 27° C un sausā vietā. Uzglabāt akumulātoru uzlādes stāvoklī aptuveni pie 30%-50%. Uzlādēt akumulātoru visus 6 mēnešus no jauna.

### APKOPE

Vajag vienmēr uzmanīties, lai būtu tīras dzesēšanas atveres.

Ja ir nolietojušās elektromotora ogļītes, papildus to nomainībai būtu jāveic instrumenta apskate sevisi darbnīcā. Tas pagarinās mašīnas kalpošanas ilgumu un garantēs tās pastāvīgu darbību.

Izmantojiet tikai firmu Milwaukee piederumus un firmas Milwaukee rezerves daļas. Lieciet nomainīt detaļas, kuras nomaina nav aprakstīta, kādā no firmu Milwaukee klientu apkalpošanas servisiem. (Skat. brošūru "Garantija/klientu apkalpošanas serviss".)

Ja nepieciešams, klientu apkalpošanas servīš vai tieši pie firmas Milwaukee Electric Tool, Max-Eyth-Straße 10, D-71364 Winnenden, Germany, var pieprasīt instrumenta eksplozijas zīmējumu, šim nolūkam jāuzrāda mašīnas tips un desmitvietīgais numurs, kas norādīts uz jaudas paneļa.

### SIMBOLI



Pirms sākt lietot instrumentu, lūdzu, izlasiet lietošanas pamācību.



Piederumi - standartapriekojumā neietvertās, bet ieteicamās papildus komplektācijas detaļas no piederumu programmas.



Pirms mašīnai veikt jebkāda veida apkopes darbus, ir jāizņem ārā akumulātors.



Neizmetiet elektroiekartas sadzīves atkritumos! Saskaņā ar Eiropas Direktīvu 2002/96/EG par lietotajām elektroiekartām, elektronikas iekartām un tas iekļaušanu valsts likumdošana lietotas elektroiekartas ir jāsavāc atsevišķi un jānogada otrreizējai pārstrādei videi draudzīga veida.

**TECHINIAI DUOMENYS Sukamasis plaktukas su akumulatoriumi HD 18 H HD 18 HX**

|                                                                     |                                |                          |
|---------------------------------------------------------------------|--------------------------------|--------------------------|
| Gręžimo $\phi$ betone.....                                          | 24 mm.....                     | 24 mm                    |
| Gręžimo $\phi$ pliene.....                                          | 13 mm.....                     | 13 mm                    |
| Gręžimo $\phi$ medienoje.....                                       | 30 mm.....                     | 30 mm                    |
| Lengvo gręžimo antgalis degtose ir silikatinėse plytose.....        | 50 mm.....                     | 50 mm                    |
| Sūkių skaičius laisva eiga.....                                     | 1400 min <sup>-1</sup> .....   | 1400 min <sup>-1</sup>   |
| Smūgių skaičius su apkrova.....                                     | 0-4200 min <sup>-1</sup> ..... | 0-4200 min <sup>-1</sup> |
| Pavienio smūgio jėga.....                                           | 2,4 J.....                     | 2,4 J                    |
| Išgręžimo ašies $\phi$ .....                                        | 4,3 mm.....                    | 4,3 mm                   |
| Akumuliatoriaus tipas.....                                          | Li-Ion.....                    | Li-Ion                   |
| Keičiamo akumuliatoriaus įtampa.....                                | 18 V.....                      | 18 V                     |
| Prietaiso svoris įvertintas pagal EPTA 2003/01 tyrimų metodiką..... | 3,5 kg.....                    | 3,7 kg                   |

**Informacija apie triukšmą/vibraciją**

Vertės matuotos pagal EN 60 745.

Įvertintas A įrenginio keliamo triukšmo lygis dažniausiai sudaro:

|                                      |                |           |
|--------------------------------------|----------------|-----------|
| Garso slėgio lygis (K = 3dB(A))..... | 88 dB (A)..... | 88 dB (A) |
| Garso galios lygis (K = 3dB(A))..... | 99 dB (A)..... | 99 dB (A) |

**Nešioti klausos apsauginės priemonės**

Bendroji svyravimų reikšmė (trijų krypčių vektorių suma), nustatyta remiantis EN 60745.

|                                                       |                             |                       |
|-------------------------------------------------------|-----------------------------|-----------------------|
| Gręžimas betone: vibravimo emisijos vertė $a_h$ ..... | 12,2 m/s <sup>2</sup> ..... | 12,2 m/s <sup>2</sup> |
| Paklaida K =.....                                     | 1,5 m/s <sup>2</sup> .....  | 1,5 m/s <sup>2</sup>  |
| Atskėlimas: vibravimo emisijos vertė $a_h$ .....      | 7,4 m/s <sup>2</sup> .....  | 7,4 m/s <sup>2</sup>  |
| Paklaida K =.....                                     | 1,5 m/s <sup>2</sup> .....  | 1,5 m/s <sup>2</sup>  |

**DĖMESIO**

Instrukcijoje nurodyta svyravimų ribinė vertė yra išmatuota remiantis standartu EN 60745; ji gali būti naudojama keliems elektriniams instrumentams palyginti. Ji taikoma ir laikinai įvertinti svyravimų apkrovą.

Nurodyta svyravimų ribinė vertė yra taikoma pagrindinėse elektrinio instrumento naudojimo srityse. Svyravimų ribinė vertė gali skirtis naudojant elektrinį instrumentą kitose srityse, papildomai naudojant netinkamus elektrinius instrumentus arba juos nepakankamai techniškai prižiūrint. Dėl to viso darbo metu gali žymiai padidėti svyravimų apkrova.

Siekiant tiksliai nustatyti svyravimų apkrovą, būtina atsižvelgti ir į laikotarpį, kai įrenginys yra išjungtas arba įjungtas, tačiau faktiškai nenaudojamas. Dėl to viso darbo metu gali žymiai sumažėti svyravimų apkrova.

Siekiant apsaugoti vartotojus nuo svyravimo įtakos naudojamos papildomos saugos priemonės, pavyzdžiui, elektrinių darbo instrumentų techninė priežiūra, rankų šilumos palaikymas, darbo procesų organizavimas.

**⚠ DĖMESIO! Perskaitykite visas saugumo pastabas ir nurodymus, esančius pridėtoje brošiūroje.** Jei nepaisysite žemiau pateiktų saugos nurodymų ir reikalavimų, gali trenkti elektros smūgis, kilti gaisras ir/arba galite sunkiai susižaloti arba sužaloti kitus asmenis.**Išsaugokite šias saugos nuorodas ir reikalavimus, kad ir ateityje galėtumėte jais pasinaudoti.****YPATINGOS SAUGUMO NUORODOS****Nešiodami klausos apsaugos priemonės.** Triukšmo poveikyje galima netekti klausos.**Naudokite į prietaiso komplektaciją įeinančias papildomas rankenas.** Nesuvaldžius prietaiso galima susižeisti.**Dirbdami laikykite prietaisą už izoliuotų vietų, kuriose plovimo įrenginys pats galėtų liesti paslėptus laidus.** Plovimo įrenginio kontaktas su įtampos laidais gali įelektrinti metalines prietaiso dalis, o tai gali sukelti elektros iškvėvą.

Dirbdami su įrenginiu visada nešiodami apsauginius akinius. Rekomenduotina nešioti apsaugines pirštines, tvirtus batus neslidžiu padu bei prijuostę.

Draudžiama išiminėti drožles ar nuopjovas, įrenginiui veikiant. Darbo metu susidaranti dulkės yra dažnai kenksmingos sveikatai ir todėl turėtų nepatekti į organizmą. Dėvėti tinkamą apsauginę kaukę nuo dulkių.

Prieš atikdami bet kokius darbus įrenginyje, išimkite keičiamą akumuliatorių.

Sunaudotų keičiamų akumuliatorių nedeginkite ir nemeskite į buitines atliekas. „Milwaukee“ siūlo tausojantį aplinką sudėvėtų keičiamų akumuliatorių tvarkymą, apie tai prekybos atstovo.

**CE ATITIKTIES PAREIŠKIMAS**Mes atsakingai pareiškiame, kad šis gaminys atitinka tokias normas arba normatyvinius dokumentus:  
EN 60745-1:2009 + A11:2010  
EN 60745-2-6:2010  
EN 55014-1:2006 + A1:2009 + A2:2011  
EN 55014-2:1997 + A1:2001 + A2:2008  
pagal direktyvų reikalavimus  
2011/65/EU (RoHS)  
2006/42/EB  
2004/108/EB

Winnenden, 2012-08-02

Rainer Kumpf  
Director Product Development

Įgaliosios parengti techninius dokumentus.

**AKUMULATORIAI**

Atkreipkite dėmesį į kroviklio naudotojo vadove pateiktas specialiąsias nuorodas dėl „Milwaukee“ Milwaukee 18 V akumuliatorių.

Nauji keičiami akumuliatoriai savo pilną talpą įgyja po 4-5 įkrovos ir iškrovos ciklų. Ilgesnį laiką nenaudotus keičiamus akumuliatorius prieš naudojimą įkraukite.

Aukštesnė nei 50°C temperatūra mažina keičiamų akumuliatorių galią. Venkite ilgesnio saulės ar šilumos šaltinių poveikio.

Įkroviklio ir keičiamo akumuliatoriaus jungiamieji kontaktai visada turi būti švarūs.

Siekiant užtikrinti kuo ilgesnį baterijos tarnavimo laiką, reikėtų ją po atlikto įkrovimo iškart išimti iš įkroviklio.

Bateriją laikant ilgiau nei 30 dienų, būtina atkreipti dėmesį į šias nuorodas: bateriją laikyti sausoje aplinkoje, esant apie 27 °C temperatūrai. Baterijos įkrovimo lygis turi būti nuo 30% iki 50%. Baterija pakartotinai turi būti įkraunama kas 6 mėnesius.

**TECHINIS APTARNAVIMAS**

Įrenginio vėdinimo angos visada turi būti švarios.

Keičiant susidėvėjusius anglinius šepetėlius, be šepetėlių keitimo aptarnavimo dirbtuvėse reikėtų atlikti techninį prietaiso aptarnavimą. Tai prailgina įrenginio tarnavimo laiką ir užtikrina nuolatinę parengtą darbui.

Naudokite tik „Milwaukee“ priedus ir „Milwaukee“ atsargines dalis. Dalis, kurių keitimas neaprašytas, leidžiama keisti tik „Milwaukee“ klientų aptarnavimo skyriams (žr. garantiją/klientų aptarnavimo skyrių adresus brošiūroje).

Jei reikia, nurodant įrenginio tipą bei specifikacijų lentelėje esantį dešimtženklį numerį, iš klientų aptarnavimo skyriaus arba tiesiai iš Milwaukee Electric Tool, Max-Eyth-Straße 10, D-71364 Winnenden, Germany, galima užsisakyti prietaiso surinkimo brėžinius.

**SIMBOLIAI**

Prieš pradėdami dirbti su prietaisu, atidžiai perskaitykite jo naudojimo instrukciją.



Priedas – neįeina į tiekimo komplektaciją, rekomenduojamas papildymas iš priedų asortimento.



Prieš atikdami bet kokius darbus įrenginyje, išimkite keičiamą akumuliatorių.



Neišmeskite elektros įrengimų ir buitinius šukšlynus! Pagal ES Direktyva 2002/96/EG dėl naudotų įrengimų, elektros įrengimų ir jų itraukimo i valstybinius įstatymus naudotus įrengimus būtina suringti atskirai ir nugabenti antriniu žaliavu perdirbimui aplinkai nekenksmingu būdu.



**TEHNILISED ANDMED**

|                                                   | Juhtmeta pöördvasar      | HD 18 H                  | HD 18 HX                 |
|---------------------------------------------------|--------------------------|--------------------------|--------------------------|
| Puuri ø betoonis .....                            | 24 mm                    | 24 mm                    | 24 mm                    |
| Puurimislabimõõt terases .....                    | 13 mm                    | 13 mm                    | 13 mm                    |
| Puuri ø puidus .....                              | 30 mm                    | 30 mm                    | 30 mm                    |
| Kerg-kroonpuur tellistes ja silikaatkivides ..... | 50 mm                    | 50 mm                    | 50 mm                    |
| Pöörlemiskiirus tühijooksul .....                 | 1400 min <sup>-1</sup>   | 1400 min <sup>-1</sup>   | 1400 min <sup>-1</sup>   |
| Löökide arv koormusega .....                      | 0-4200 min <sup>-1</sup> | 0-4200 min <sup>-1</sup> | 0-4200 min <sup>-1</sup> |
| Üksiklöögi tugevus .....                          | 2,4 J                    | 2,4 J                    | 2,4 J                    |
| Kinnituskaela ø .....                             | 43 mm                    | 43 mm                    | 43 mm                    |
| Aku tüüp .....                                    | Li-Ion                   | Li-Ion                   | Li-Ion                   |
| Vahetatava aku pingeline .....                    | 18 V                     | 18 V                     | 18 V                     |
| Kaal vastavalt EPTA-protseduurile 01/2003 .....   | 3,5 kg                   | 3,5 kg                   | 3,7 kg                   |

**Müra/vibratsiooni andmed**

Mõõteväärtused on kindlaks tehtud vastavalt normile EN 60 745.

Seadme tüüpiline hinnanguline (A) müratase:

|                                     |           |           |
|-------------------------------------|-----------|-----------|
| Helirõhutaseme (K=3 dB(A)) .....    | 88 dB (A) | 88 dB (A) |
| Helivõimsuse tase (K=3 dB(A)) ..... | 99 dB (A) | 99 dB (A) |

**Kandke kaitseks kõrvaklappe!**

Vibratsiooni koguväärtus (kolme suuna vektorsumma) mõõdetud EN 60745 järgi.

|                                                                 |                       |                       |
|-----------------------------------------------------------------|-----------------------|-----------------------|
| Puurimine betoonis: vibratsiooni emissiooni väärtus $a_h$ ..... | 12,2 m/s <sup>2</sup> | 12,2 m/s <sup>2</sup> |
| Määramatus K = .....                                            | 1,5 m/s <sup>2</sup>  | 1,5 m/s <sup>2</sup>  |
| Meiseldamine: vibratsiooni emissiooni väärtus $a_h$ .....       | 7,4 m/s <sup>2</sup>  | 7,4 m/s <sup>2</sup>  |
| Määramatus K = .....                                            | 1,5 m/s <sup>2</sup>  | 1,5 m/s <sup>2</sup>  |

**TÄHELEPANU**

Antud juhendis toodud võnketase on mõõdetud EN 60745 standardile vastava mõõtesüsteemiga ning seda võib kasutada erinevate elektriseadmete omavahelises võrdlemises. Antud näitaja sobib ka esmaseks võnkekoormuse hindamiseks.

Antud võnketase kehtib elektriseadme kasutamisel sihtotstarbeliselt. Kui elektriseadet kasutatakse muudel otstarvetel, muude tööriistadega või seda ei hooldata piisavalt võib võnketase siintoodust erineda. Eeltoodu võib võnketaset märkimisväärselt tõsta terves töökeskkonnas.

Võnketaseme täpseks hindamiseks tuleks arvestada ka aega, mil seade on välja lülitatud või on küll sisse lülitatud, kuid ei ole otseselt kasutusel. See võib märgatavalt vähendada kogu töökeskkonna võnketaset.

Rakendage spetsiaalseid ettevaatusabinõusid töötajate suhtes, kes puutuvad töö käigus palju kokku vibratsiooniga. Nendeks abinõudeks võivad olla, näiteks: elektri- ja tööseadmete korraline hooldus, käte soojendamine, töövoo parem organiseerimine.

**▲ TÄHELEPANU! Lugege kõik ohutusnõuanded ja juhendid läbi, ka juures olevast brošüürist.** Ohutusnõuete ja juhiste eiramise tagajärjeks võib olla elektrilöökk, tulekahju ja/või rasked vigastused.

**Hoidke kõik ohutusnõuded ja juhised edasiseks kasutamiseks hoolikalt alles.**

**SPETSIAALSSED TURVAJUHISED**

**Kandke kaitseks kõrvaklappe.** Müra mõju võib kutsuda esile kuulmise kaotuse.

**Kasutage seadmega koos tarnitud lisakäepidemeid.** Kontrolli kaotamine võib põhjustada vigastusi.

**Tööde puhul, kus lõikeseade võib minna vastu peidetud elektrijuhtmeid, hoidke kinni seadme isoleeritud käepidemetest.** Kokkupuude pingestatud juhtmega võib pingestada ka lõikeseadme metallist osad ning põhjustada elektrilöögi.

Masinaga töötades kandke alati kaitseprille. Soovitatavad on kaitsekindad, tugevad ja libisemiskindlad jalanõud ning põll.

Puru ega pilpaid ei tohi eemaldada masina töötamise ajal.

Töö ajal tekkiv tolm on sageli tervistkahjustav ning ei tohiks sattuda organismi. Kanda sobivat kaitsemaski.

Enne kõiki töid masina kallal võtke vahetatav aku välja.

Ärge visake tarvitatud vahetatavaid akusid tulle ega olmeprügisse. Milwaukee pakub vanade akude keskkonnahoidlikku käitlust; palun küsige oma erialaseltn tarnijalt.

Ärge säilitage vahetatavaid akusid koos metallsemetega (lühiseoht).

**EÜ VASTAVUSAVALDUS**

Me deklareerime ainuvastutajatena, et antud toode on kooskõlas järgmistele normidele või normdokumentidega:  
EN 60745-1:2009 + A11:2010  
EN 60745-2-6:2010  
EN 55014-1:2006 + A1:2009 + A2:2011  
EN 55014-2:1997 + A1:2001 + A2:2008  
vastavalt direktiivide sätetele  
2011/65/EU (RoHS)  
2006/42/EU  
2004/108/EU



Winnenden, 2012-08-02

*Rainer Kump*

Rainer Kump  
Director Product Development

On volitatud koostama tehnilist dokumentatsiooni.

**AKUD**

Järgida spetsiaalseid nõuandeid Milwaukee Milwaukee 18 V akude kohta laadija kasutusjuhendis.

Uued vahetatavad akud saavutavad oma täieliku mahtuvuse pärast 4–5 laadimis- ja tühjendustsüklit. Pikemat aega mittekasutatud akusid laadige veel enne kasutamist.

Temperatuur üle 50 °C vähendab vahetatava aku töövoimet. Vältige pikemat soojenemist päikese või kütteseadme mõjul.

Hoidke laadija ja vahetatava aku ühenduskontaktid puhtad.

Akud tuleks võimalikult pika kasutusea saavutamiseks pärast täislaadimist laadijast välja võtta.

Aku ladustamisel üle 30 päeva:  
Ladustage akut kuivas kohas u 27°C juures.  
Ladustage akut u 30-50% laetusseisundis.  
Laadige aku iga 6 kuu tagant täis.

**HOOLDUS**

Hoidke masina õhutuspilud alati puhtad.

Läbikulunud süsiharjade puhul tuleks klienditeenindustöökojas lisaks süsiharjade vahetusele teha ka hooldus. See pikendab masina eluiga ja tagab pideva käitamisvalmiduse.

Kasutage ainult Milwaukee tarvikuid ja Milwaukee tagavaraosi. Detailid, mille väljavahetamist pole kirjeldatud, laske välja vahetada Milwaukee klienditeeninduspunktis (vaadake brošüüri garantii / klienditeeninduste aadressid).

Vajaduse korral võite tellida seadme läbilõikejoonise, näidates ära masina tüübi ja andmesildil oleva kumnekohalise numbri. Selleks pöörduge klienditeeninduspunkti või otse: Milwaukee Electric Tool, Max-Eyth-Straße 10, D-71364 Winnenden, Germany.

**SÜMBOLID**

Palun lugege enne käikulaskmist kasutamisyjuhend hoolikalt läbi.



Tarvikud - ei kuulu tarne komplekti, soovitatav täiendus on saadaval tarvikute programmis.



Enne kõiki töid masina kallal võtke vahetatav aku välja.



Ärge käideldge kasutuskõlbmatuks muutunud elektrilisi tööriistu koos olmejäätmetega! Vastavalt Euroopa Parlamendi ja nõukogu direktiivile 2002/96/EÜ elektri- ja elektroonikaseadmete jäätmete kohta ning direktiivi nõuete kohaldamisele liikmesriikides tuleb asutuskõlbmatuks muutunud elektrilised tööriistad koguda eraldi ja keskkonnasäästlikult korduskasutada või ringlusse võtta.

## ТЕХНИЧЕСКИЕ ДАННЫЕ

| Акк. перфоратор                                            | HD 18 H                  | HD 18 HX                 |
|------------------------------------------------------------|--------------------------|--------------------------|
| Производительность сверления в бетон                       | 24 mm                    | 24 mm                    |
| Производительность сверления в стали                       | 13 mm                    | 13 mm                    |
| Производительность сверления в дереве                      | 30 mm                    | 30 mm                    |
| Легкое сверление при помощи коронки в кирпиче и известняке | 50 mm                    | 50 mm                    |
| Число оборотов без нагрузки (об/мин)                       | 1400 min <sup>-1</sup>   | 1400 min <sup>-1</sup>   |
| Количество ударов при нагрузке (макс.)                     | 0-4200 min <sup>-1</sup> | 0-4200 min <sup>-1</sup> |
| Сила одиночного удара                                      | 2,4 J                    | 2,4 J                    |
| Диаметр горловины патрона                                  | 43 mm                    | 43 mm                    |
| Модель                                                     | Li-Ion                   | Li-Ion                   |
| Вольтаж аккумулятора                                       | 18 V                     | 18 V                     |
| Вес согласно процедуре EPTA 01/2003                        | 3,5 kg                   | 3,7 kg                   |

### Информация по шумам/вибрации

Значения замерялись в соответствии со стандартом EN 60745.

Уровень шума прибора, определенный по показателю A, обычно составляет:

|                                       |           |           |
|---------------------------------------|-----------|-----------|
| Уровень звукового давления (K=3dB(A)) | 88 dB (A) | 88 dB (A) |
| Уровень звуковой мощности (K=3dB(A))  | 99 dB (A) | 99 dB (A) |

### Пользуйтесь приспособлениями для защиты слуха.

|                                                                                                  |                       |                       |
|--------------------------------------------------------------------------------------------------|-----------------------|-----------------------|
| Общие значения вибрации (векторная сумма трех направлений) определены в соответствии с EN 60745. |                       |                       |
| Сверление Бетон: значение вибрационной эмиссии a <sub>h</sub>                                    | 12,2 m/s <sup>2</sup> | 12,2 m/s <sup>2</sup> |
| Небезопасность K =                                                                               | 1,5 m/s <sup>2</sup>  | 1,5 m/s <sup>2</sup>  |
| Вырубка: значение вибрационной эмиссии a <sub>h</sub>                                            | 7,4 m/s <sup>2</sup>  | 7,4 m/s <sup>2</sup>  |
| Небезопасность K =                                                                               | 1,5 m/s <sup>2</sup>  | 1,5 m/s <sup>2</sup>  |

## ВНИМАНИЕ

Указанный в настоящем руководстве уровень вибрации измерен в соответствии с технологией измерения, установленной стандартом EN 60745 и может использоваться для сравнения электроинструментов друг с другом. Он также подходит для предварительной оценки вибрационной нагрузки.

Указанный уровень вибрации представляет основные виды использования электроинструмента. Но если электроинструмент используется для других целей, используемый инструмент отклоняется от указанного или техническое обслуживание было недостаточным, то уровень вибрации может отклоняться от указанного. В этом случае вибрационная нагрузка в течение всего периода работы значительно увеличивается.

Для точной оценки вибрационной нагрузки необходимо также учитывать время, в течение которого прибор отключен или включен, но фактически не используется. В этом случае вибрационная нагрузка в течение всего периода работы может существенно уменьшиться.

Установите дополнительные меры безопасности для защиты пользователя от воздействия вибрации, например: техническое обслуживание электроинструмента и используемого инструмента, поддержание рук в теплом состоянии, организация рабочих процессов.

**ВНИМАНИЕ!** Ознакомьтесь со всеми указаниями по безопасности и инструкциями, в том числе с инструкциями, содержащимися в прилагающейся брошюре. Упущения, допущенные при соблюдении указаний и инструкций по технике безопасности, могут стать причиной электрического поражения, пожара и тяжелых травм. **Сохраняйте эти инструкции и указания для будущего использования.**

## РЕКОМЕНДАЦИИ ПО ТЕХНИКЕ БЕЗОПАСНОСТИ

**Используйте наушники!** Воздействие шума может привести к потере слуха.

**Используйте вспомогательные рукоятки, поставляемые вместе с инструментом.** Потеря контроля может стать причиной травмы.

**Если Вы выполняете работы, при которых режущий инструмент может зацепить скрытую электропроводку кабель, инструмент следует держать за специально предназначенные для этого изолированные поверхности.** Контакт режущего инструмента с токоведущим проводом может ставить под напряжение металлические части прибора, а также приводить к удару электрическим током.

При работе с инструментом всегда надевайте защитные очки. Рекомендуется надевать перчатки, прочные нескользящие ботинки и фарук.

Не убирайте опилки и обломки при включенном инструменте.

Пыль, возникающая при работе данным инструментом, может нанести вред здоровью. Не следует допускать её

попадания в организм. Надевайте противопылевой респиратор.

Выньте аккумулятор из машины перед проведением с ней каких-либо манипуляций.

Не выбрасывайте использованные аккумуляторы вместе с домашним мусором и не сжигайте их. Дистрибьюторы компании Milwaukee предлагают восстановление старых аккумуляторов, чтобы защитить окружающую среду.

Не храните аккумуляторы вместе с металлическими предметами во избежание короткого замыкания.

Для зарядки аккумуляторов модели Milwaukee 18 V используйте только зарядным устройством Milwaukee 18 V. Не заряжайте аккумуляторы других систем.

Никогда не вскрывайте аккумуляторы или зарядные устройства и храните их только в сухих помещениях. Следите чтобы они всегда были сухими.

Аккумуляторная батарея может быть повреждена и дать течь под воздействием чрезмерных температур или повышенной нагрузки. В случае контакта с аккумуляторной кислотой немедленно промойте место контакта мылом и водой. В случае попадания кислоты в глаза промойте глаза в течении 10 минут и немедленно обратитесь за медицинской помощью.

Не допускается попадания каких-либо металлических предметов в аккумуляторный отсек зарядного устройства во избежание короткого замыкания.

## ИСПОЛЬЗОВАНИЕ

Аккумуляторная перфоратор может использоваться для ударного сверления и простого сверления в дереве, металле и пластике.

Не пользуйтесь данным инструментом способом, отличным от указанного для нормального применения.

## ДЕКЛАРАЦИЯ О СООТВЕТСТВИИ СТАНДАРТАМ ЕС

Мы заявляем что этот продукт соответствует следующим стандартам:

EN 60745-1:2009 + A11:2010  
EN 60745-2-6:2010  
EN 55014-1:2006 + A1:2009 + A2:2011  
EN 55014-2:1997 + A1:2001 + A2:2008  
в соответствии с правилами  
2011/65/EU (RoHS)  
2006/42/EC  
2004/108/EC



Winnenden, 2012-08-02

Rainer Kumpf  
Director Product Development

Уполномочен на составление технической документации.

## АККУМУЛЯТОР

Инструкции по аккумуляторам Milwaukee Milwaukee 18 V см. в руководстве по эксплуатации зарядного устройства.

Новый аккумулятор заряжается до полной емкости после 4 - 5 зарядных циклов. Перед использованием аккумулятора, которым не пользовались некоторое время, его необходимо зарядить.

Температура свыше 50°C снижает работоспособность аккумуляторов. Избегайте продолжительного нагрева или прямого солнечного света (риск перегрева).

Контакты зарядного устройства и аккумуляторов должны содержаться в чистоте.

Для достижения максимально возможного срока службы аккумуляторы после зарядки следует вынимать из зарядного устройства.

При хранении аккумулятора более 30 дней: Храните аккумулятор при 27°C в сухом месте. Храните аккумулятор с зарядом примерно 30% - 50%. Каждые 6 месяцев аккумулятор следует заряжать.

## ОБСЛУЖИВАНИЕ

Всегда держите охлаждающие отверстия чистыми.

Очень важно! При износе угольных щеток, в дополнение к замене щеток инструмент следует проверить в сервисном центре. Это обеспечит долгий срок эксплуатации а также постоянную готовность инструмента к работе.

Пользуйтесь аксессуарами и запасными частями Milwaukee. В случае возникновения необходимости в замене, которая не была описана, обращайтесь в один из сервисных центров по обслуживанию электроинструментов Milwaukee (см. список сервисных организаций).

При необходимости может быть заказан чертеж инструмента с трехмерным изображением деталей. Пожалуйста, укажите десятизначный номер и тип инструмента и закажите чертеж у Ваших местных агентов или непосредственно у Milwaukee Electric Tool, Max-Eyth-Straße 10, D-71364 Winnenden, Germany.

## СИМВОЛЫ



Пожалуйста, внимательно прочтите инструкцию по использованию перед началом любых операций с инструментом.



Дополнитель - В стандартную комплектацию не входит, поставляется в качестве дополнительной принадлежности.



Выньте аккумулятор из машины перед проведением с ней каких-либо манипуляций.



Не выбрасывайте электроинструмент с бытовыми отходами! Согласно Европейской директиве 2002/96/EC по отходам от электрического и электронного оборудования и соответствующим нормам национального права вышедшие из употребления электроинструменты подлежат сбору отдельно для экологически безопасной утилизации.



Соответствие техническому регламенту



Национальный знак відповідності України

**ТЕХНИЧЕСКИ ДАННИ**      **Акумулаторен перфоратор**      **HD 18 N**      **HD 18 NX**

|                                                        |                          |                          |
|--------------------------------------------------------|--------------------------|--------------------------|
| Диаметър на свредлото за бетон.....                    | 24 mm                    | 24 mm                    |
| Диаметър на свредлото за стомана.....                  | 13 mm                    | 13 mm                    |
| Диаметър на свредлото за дърво.....                    | 30 mm                    | 30 mm                    |
| Лека боркорона за обикновени и за силикатни тухли..... | 50 mm                    | 50 mm                    |
| Обороти на празен ход.....                             | 1400 min <sup>-1</sup>   | 1400 min <sup>-1</sup>   |
| Макс. брой на ударите при натоварване.....             | 0-4200 min <sup>-1</sup> | 0-4200 min <sup>-1</sup> |
| Енергия на отделен удар.....                           | 2,4 J                    | 2,4 J                    |
| Диаметър на отвора на патронника.....                  | 43 mm                    | 43 mm                    |
| Тип на акумулатора.....                                | Li-Ion                   | Li-Ion                   |
| Напрежение на акумулатора.....                         | 18 V                     | 18 V                     |
| Тегло съгласно процедурата ЕРТА 01/2003.....           | 3,5 kg                   | 3,7 kg                   |

**Информация за шума/вибрациите**

Измерените стойности са получени съобразно EN 60 745.

Оцененото с А ниво на шума на уреда е съответно:

|                                          |           |           |
|------------------------------------------|-----------|-----------|
| Ниво на звукова мощност (K=3 dB(A))..... | 88 dB (A) | 88 dB (A) |
| Ниво на звукова мощност (K=3 dB(A))..... | 99 dB (A) | 99 dB (A) |

**Да се носи предпазно средство за слуха!**

Общите стойности на вибрациите (векторна сума на три посоки) са определени в съответствие с EN 60745.

|                                                                        |                       |                       |
|------------------------------------------------------------------------|-----------------------|-----------------------|
| Пробиване бетон: стойност на емисии на вибрациите a <sub>h</sub> ..... | 12,2 m/s <sup>2</sup> | 12,2 m/s <sup>2</sup> |
| Несигурност K = .....                                                  | 1,5 m/s <sup>2</sup>  | 1,5 m/s <sup>2</sup>  |
| Дълбаене: стойност на емисии на вибрациите a <sub>h</sub> .....        | 7,4 m/s <sup>2</sup>  | 7,4 m/s <sup>2</sup>  |
| Несигурност K = .....                                                  | 1,5 m/s <sup>2</sup>  | 1,5 m/s <sup>2</sup>  |

**ВНИМАНИЕ**

Посоченото в тези инструкции ниво на вибрациите е измерено в съответствие със стандартизиран в EN 60745 измервателен метод и може да се използва за сравнение на електрически инструменти помежду им. Подходящ е и за временна оценка на вибрационното натоварване.

Посоченото ниво на вибрациите представя основните приложения на електрическия инструмент. Ако обаче електрическият инструмент се използва с друго предназначение, с различни сменяеми инструменти или при недостатъчна техническа поддръжка, нивото на вибрациите може да е различно. Това чувствително може да увеличи вибрационното натоварване по време на целия работен цикъл.

За точната оценка на вибрационното натоварване трябва да се вземат предвид и периодите от време, в които уредът е изключен или работи, но в действителност не се използва. Това чувствително може да намали вибрационното натоварване по време на целия работен цикъл.

Определете допълнителни мерки по техника на безопасност в защита на обслужващия работник от въздействието на вибрациите като например: техническа поддръжка на електрическия инструмент и сменяемите инструменти, поддържане на ръцете топли, организация на работния цикъл.

**⚠ ВНИМАНИЕ! Прочетете указанията за безопасност и съветите в приложената брошура.** Неспазването на приведените по-долу указания може да доведе до токов удар, пожар и/или тежки травми.  
**Съхранявайте тези указания на сигурно място.****СПЕЦИАЛНИ УКАЗАНИЯ ЗА БЕЗОПАСНОСТ****Носете средство за защита на слуха.** Въздействието на шума може да предизвика загуба на слуха.**Използвайте доставените с уреда допълнителни ръкохватки.** Загубата на контрол може да доведе до наранявания.**Дръжте уреда за изолираните ръкохватки, когато извършвате работи, при които режещият инструмент може да засегне скрити електроинсталационни кабели.** Контактът на режещия инструмент с тоководещ проводник може да предаде напрежението върху метални части на уреда и да доведе до токов удар.

При работа с машината винаги носете предпазни очила. Препоръчват се също така предпазни ръкавици, здрави и нехлъзгащи се обувки, както и престилка.

Стружки или отчупени парчета да не се отстраняват, докато машина работи.

Прахът, който се образува при работа, често е вреден за здравето и не бива да попада в тялото. Да се носи подходяща прахозащитна маска.

Преди започване на каквито е да работи по машината извадете акумулатора.

Не изхвърляйте изхабените акумулатори в огъня или в при битовите отпадъци. Milwaukee предлага екологосъобразно

събиране на старите акумулатори; моля попитайте Вашия специализиран търговец.

Не съхранявайте акумулаторите заедно с метални предмети (опасност от късо съединение).

Акумулатори от системата Milwaukee 18 V да се зареждат само със зарядни устройства от системата Milwaukee 18 V laden. Да не се зареждат акумулатори от други системи.

Не отваряйте акумулатори и зарядни устройства и ги съхранявайте само в сухи помещения. Пазете ги от влага.

При екстремно натоварване или екстремна температура от повредени акумулатори може да изтече батерийна течност. При допир с такава течност веднага измийте с вода и сапун. При контакт с очите веднага изплаквайте старателно най-малко 10 минути и незабавно потърсете лекар.

В гнездото за акумулатори на зарядните устройства не бива да попадат метални части (опасност от късо съединение).

**ИЗПОЛЗВАНЕ ПО ПРЕДНАЗНАЧЕНИЕ**

Акумулаторният перфоратор може да се използва универсално за перфориране в камък и за пробиване в дърво, метал и пластмаса, като не зависи от захранване от мрежата.

Този уред може да се използва по предназначение само както е посочено.

**СЕ - ДЕКЛАРАЦИЯ ЗА СЪОТВЕТСТВИЕ**Декларираме на собствена отговорност, че този продукт съответства на следните стандарти или нормативни документи:  
EN 60745-1:2009 + A11:2010  
EN 60745-2-6:2010  
EN 55014-1:2006 + A1:2009 + A2:2011  
EN 55014-2:1997 + A1:2001 + A2:2008  
съобразно предписанията на директивите 2011/65/EU (RoHS)  
2006/42/EO  
2004/108/EO

Winnenden, 2012-08-02

Rainer Kumpf  
Director Product Development

Упълномощен за съставяне на техническата документация

**АКУМУЛАТОРИ**

Спазвайте специалните указания за акумулаторни батерии Milwaukee Milwaukee 18 V в упътването за използване на зарядното устройство.

Новите сменяеми акумулатори достигат пълния си капацитет след 4-5 цикъла на зареждане и разреждане. Акумулатори, които не са ползвани по-дълго време, преди употреба да се дозаредят.

Температура над 50°C намалява мощността на акумулатора. Да се избягва по-продължително нагряване на слънце или от отопление.

Поддържайте чисти присъединителните контакти на зарядното устройство и на акумулатора.

За възможно по-дълга продължителност на живот батериите трябва да се изваждат от уреда след зареждане.

При съхранение на батериите за повече от 30 дни: съхранявайте батерията при прилб. 27°C и на сухо място. Съхранявайте батерията при 30 до 50 % от заряда. Зареждайте батерията на всеки 6 месеца.

**ПОДДРЪЖКА**

Вентилационните шлицы на машината да се поддържат винаги чисти.

Ако въгленовите четки са износени, те трябва да се сменят и допълнително е необходим преглед в сервис. Това ще удължи експлоатационния срок на машината и гарантира постоянна експлоатационна готовност.

Да се използват само аксесоари на Milwaukee и резервни части на Milwaukee. Елементи, чията подмяна не е описана, да се дадат за подмяна в сервис на Milwaukee (вижте брошурата "Гаранция и адреси на сервиси).

При необходимост можете да поискате за уреда от Вашия сервис или директно от Milwaukee Electric Tool, Max-Eyth-Straße 10, D-71364 Winnenden, Germany, чертеж за в случай на експлозия, като посочите типа на машината и десетцифрения номер върху заводската табелка.

**СИМВОЛИ**

Преди пускане на уреда в действие моля прочетете внимателно инструкцията за използване.



Аксесоари - Не се съдържат в обема на доставката, препоръчвано допълнение от програмата за аксесоари.



Преди започване на каквито е да работи по машината извадете акумулатора.



Не изхвърляйте електроинструменти при битовите отпадъци! Съобразно Европейската директива 2002/96/EO за стари електрически и електронни уреди и нейното реализиране в националното законодателство изхабените електроинструменти трябва да се събират отделно и да се предават в пункт за екологосъобразно рециклиране.



**DATE TEHNICE Ciocan rotopercutor cu acumulator HD 18 H HD 18 HX**

|                                                 |                          |                          |
|-------------------------------------------------|--------------------------|--------------------------|
| Capacitate de perforare în beton.....           | 24 mm                    | 24 mm                    |
| Capacitate de găurire în oțel.....              | 13 mm                    | 13 mm                    |
| Capacitate de găurire în lemn.....              | 30 mm                    | 30 mm                    |
| Cuțit cu miez ușor în cărămidă și calcar.....   | 50 mm                    | 50 mm                    |
| Viteza la mers în gol.....                      | 1400 min <sup>-1</sup>   | 1400 min <sup>-1</sup>   |
| Rata de percute sub sarcină.....                | 0-4200 min <sup>-1</sup> | 0-4200 min <sup>-1</sup> |
| Putere impact singular.....                     | 2,4 J                    | 2,4 J                    |
| Diametru gât mandrină.....                      | 43 mm                    | 43 mm                    |
| Baterie.....                                    | Li-Ion                   | Li-Ion                   |
| Greutate acumulator.....                        | 18 V                     | 18 V                     |
| Greutatea conform „EPTA procedure 01/2003”..... | 3,5 kg                   | 3,7 kg                   |

**Informație privind zgomotul/vibrațiile**

Valori măsurate determinate conform EN 60 745.

Nivelul de zgomot evaluat cu A al aparatului este tipic de:

|                                             |           |           |
|---------------------------------------------|-----------|-----------|
| Nivelul presiunii sonore (K = 3 dB(A))..... | 88 dB (A) | 88 dB (A) |
| Nivelul sunetului (K = 3 dB(A)).....        | 99 dB (A) | 99 dB (A) |

**Purtați căști de protecție**

Valorile totale de oscilație (suma vectorială pe trei direcții) determinate conform normei EN 60745.

|                                                                      |                       |                       |
|----------------------------------------------------------------------|-----------------------|-----------------------|
| Găurire în beton: valoarea emisiei de oscilații a <sub>h</sub> ..... | 12,2 m/s <sup>2</sup> | 12,2 m/s <sup>2</sup> |
| Nesiguranță K = .....                                                | 1,5 m/s <sup>2</sup>  | 1,5 m/s <sup>2</sup>  |
| Dăltuire: valoarea emisiei de oscilații a <sub>h</sub> .....         | 7,4 m/s <sup>2</sup>  | 7,4 m/s <sup>2</sup>  |
| Nesiguranță K = .....                                                | 1,5 m/s <sup>2</sup>  | 1,5 m/s <sup>2</sup>  |

**AVERTISMENT**

Gradul de oscilație indicat în prezentele instrucțiuni a fost măsurat în conformitate cu o procedură de măsurare normată prin norma EN 60745 și poate fi folosit pentru a compara uneltele electrice între ele. El se pretează și pentru o evaluare provizorie a solicitării la oscilații.

Gradul de oscilație indicat reprezintă aplicațiile principale ale uneltelor electrice. În cazul în care însă uneltele electrice au fost folosite pentru alte aplicații, ori au fost folosite uneltele de muncă diferite ori acestea nu au fost supuse unei suficiente inspecții de întreținere, gradul de oscilație poate fi diferit. Acest fapt poate duce la o creștere netă a solicitărilor la oscilații dealungul întregii perioade de lucru.

În scopul unei evaluări exacte a solicitării la oscilații, urmează să fie luate în considerație și perioadele de timp în care aparatul a fost oprit ori funcționează dar, în realitate, el nu este folosit în mod practic. Acest fapt poate duce la o reducere netă a solicitărilor la oscilații dealungul întregii perioade de lucru.

Stabiliți măsuri de siguranță suplimentare în scopul protecției utilizatorului de efectele oscilațiilor, de exemplu: inspecție de întreținere a uneltelor electrice și a celor de muncă, păstrarea caldă a mâinilor, organizarea proceselor de muncă.

**AVERTISMENT! Citiți toate avizele de siguranță și indicațiile, chiar și cele din borșura alăturată.**

Nerespectarea indicațiilor de avertizare și a instrucțiunilor poate provoca electrocutare, incendii și/sau răni grave.

**Păstrați toate indicațiile de avertizare și instrucțiunile în vederea utilizărilor viitoare.**

**INSTRUCȚIUNI DE SECURITATE**

**Purtați aparatoare de urechi.** Expunerea la zgomot poate produce pierderea auzului.

**Utilizați manerale auxiliare livrate cu scula.** Pierderea controlului poate provoca rănirea persoanelor.

**Țineți aparatul de mânerale izolate când executați lucrări la care scula tăietoare poate nimeri peste conductori electrici ascunși.** Intrarea în contact a sculei tăietoare cu o linie electrică prin care circulă curent poate pune sub tensiune și componente metalice ale aparatului și să ducă la electrocutare.

Purtați întotdeauna ochelari de protecție atunci când utilizați mașina. Se recomandă purtarea mănușilor, a încălțămintei solide nealunecoase și sortului de protecție.

Rumegușul și spanul nu trebuie îndepărtate în timpul funcționării mașinii.

Praful care apare când se lucrează cu această sculă poate fi dăunător sănătății și prin urmare nu trebuie să atingă corpul. Purtați o mască de protecție corespunzătoare împotriva prafului.

Scoateți acumulatorul înainte de a începe orice intervenție pe mașină.

Nu aruncați acumulatorii uzați la containerul de reziduri menajere și nu îi ardeți. Milwaukee Distributors se oferă să

recupereze acumulatorii vechi pentru protecția mediului înconjurător.

Nu depozitați acumulatorul împreună cu obiecte metalice (risc de scurtcircuit)

Folosiți numai încărcătoare System Milwaukee 18 V pentru încărcarea acumulatorilor System Milwaukee 18 V. Nu folosiți acumulatori din alte sisteme.

Nu deschideți niciodată acumulatorii și încărcătoarele și pastrați-le numai în încăperi uscate. Pastrați-le întotdeauna uscate.

Acidul se poate scurge din acumulatorii deteriorați la încălziri sau temperaturi extreme. În caz de contact cu acidul din acumulator, spălați imediat cu apă și săpun. În caz de contact cu ochii, clătiți cu atenție timp de cel puțin 10 minute și apelați imediat la îngrijire medicală.

Nu se permite introducerea nici unei piese metalice în locașul pentru acumulator al încărcătorului. (risc de scurtcircuit)

**CONDIȚII DE UTILIZARE SPECIFICE**

Ciocanul rotopercutor cu acumulator poate fi folosit la perforări și găuriri în lemn, metal și plastic, pentru utilizare independentă departe de surse de alimentare.

Nu utilizați acest produs în alt mod decât cel stabilit pentru utilizare normală

**DECLARAȚIE DE CONFORMITATE**

Declarăm pe propria răspundere că acest produs este în conformitate cu următoarele standarde sau documente standardizate

EN 60745-1:2009 + A11:2010  
EN 60745-2-6:2010  
EN 55014-1:2006 + A1:2009 + A2:2011  
EN 55014-2:1997 + A1:2001 + A2:2008  
în conformitate cu reglementările  
2011/65/EU (RoHS)  
2006/42/CE  
2004/108/CE



Winnenden, 2012-08-02

*Rainer Kumpf*

Rainer Kumpf  
Director Product Development

Împuternicit să elaboreze documentația tehnică.

**ACUMULATORI**

Vă rugăm notați informațiile specifice referitoare la acumulatorii Milwaukee din manualul de instrucțiuni al încărcătorului.

Noile pachete de acumulatori ating capacitatea totală de încărcare după 4-5 încărcări și descărcări. Acumulatorii care nu au fost utilizați o perioadă de timp trebuie reîncărcați înainte de utilizare.

Temperatura mai mare de 50°C (122°F) reduce performanța acumulatorului. Evitați expunerea prelungită la căldură sau radiație solară (risc de supraîncălzire)

Contactele încărcătoarelor și acumulatorilor trebuie păstrate curate.

Pentru o durată de viață cât mai lungă, acumulatorii ar trebui scoși din încărcător după încărcare.

La depozitarea acumulatorilor mai mult de 30 zile: Acumulatorii se depozitează la cca. 27°C și la loc uscat. Acumulatorii se depozitează la nivelul de încărcare de cca. 30%-50%. Acumulatorii se încarcă din nou la fiecare 6 luni.

**INTREȚINERE**

Fantele de aerisire ale mașinii trebuie să fie menținute libere tot timpul

Nota importantă: dacă perile de carbon sunt uzate, în plus față de schimbarea perilelor scula trebuie trimisă la service-ul post vânzare. Aceasta va asigura o viață lungă de lucru și performanțe de vârf.

Utilizați numai accesorii și piese de schimb Milwaukee. Dacă unele din componente care nu au fost descrise trebuie înlocuite, vă rugăm contactați unul din agenții de service Milwaukee (vezi lista noastră pentru service / garanție)

Dacă este necesară, se poate comanda o imagine descompusă a sculei. Vă rugăm menționați numărul art. Precum și tipul mașinii tipărit pe etichetă și comandați desenul la agenții de service locali sau direct la Milwaukee Electric Tool, Max-Eyth-Straße 10, D-71364 Winnenden, Germany.

**SIMBOLURI**

Vă rugăm citiți cu atenție instrucțiunile înainte de pornirea mașinii



Accesoriu - Nu este inclus în echipamentul standard, disponibil ca accesoriu



Îndepărtați acumulatorul înainte de începerea lucrului pe mașina



Nu aruncați scule electrice în gunoiul menajere! Conform directivei europene nr. 2002/96/CE referitor la aparate electrice și electronice uzate precum și la transpunerea acesteia în drept național, sculele electrice trebuie colectate separat și introduse într-un circuit de reciclare ecologic.



## ТЕХНИЧКИ ПОДАТОЦИ

| Бормашина-чекан на батерии                  | HD 18 H                  | HD 18 HX                 |
|---------------------------------------------|--------------------------|--------------------------|
| Капацитет на дупчење во бетон               | 24 mm                    | 24 mm                    |
| Капацитет на дупчење во челик               | 13 mm                    | 13 mm                    |
| Капацитет на дупчење во дрво                | 30 mm                    | 30 mm                    |
| Лесен јазолен сечач на тули и варовни карпи | 50 mm                    | 50 mm                    |
| Брзина без оптоварување                     | 1400 min <sup>-1</sup>   | 1400 min <sup>-1</sup>   |
| Јачина на удар под оптоварување             | 0-4200 min <sup>-1</sup> | 0-4200 min <sup>-1</sup> |
| Единствена ударна сила                      | 2,4 J                    | 2,4 J                    |
| Дијаметар на вратот на врв                  | 43 mm                    | 43 mm                    |
| батеријата                                  | Li-Ion                   | Li-Ion                   |
| Волтажа на батеријата                       | 18 V                     | 18 V                     |
| Тежина според ЕПТА-процедурата 01/2003      | 3,5 kg                   | 3,7 kg                   |

### Информација за бучавата/вибрациите

Измерените вредности се одредени согласно стандардот EN 60745.

A-оценетото ниво на бучава на апаратот типично изнесува:

|                                        |           |           |
|----------------------------------------|-----------|-----------|
| Ниво на јачина на звук. (K = 3 dB(A))  | 88 dB (A) | 88 dB (A) |
| Ниво на звучен притисок. (K = 3 dB(A)) | 99 dB (A) | 99 dB (A) |

### Носте штитник за уши.

Вкупни вибрациски вредности (векторски збир на трите насоки) пресметани согласно EN 60745.

|                                                             |                       |                       |
|-------------------------------------------------------------|-----------------------|-----------------------|
| Бушење во бетон вибрациска емисиона вредност a <sub>h</sub> | 12,2 m/s <sup>2</sup> | 12,2 m/s <sup>2</sup> |
| Несигурност K =                                             | 1,5 m/s <sup>2</sup>  | 1,5 m/s <sup>2</sup>  |
| Струг вибрациска емисиона вредност a <sub>h</sub>           | 7,4 m/s <sup>2</sup>  | 7,4 m/s <sup>2</sup>  |
| Несигурност K =                                             | 1,5 m/s <sup>2</sup>  | 1,5 m/s <sup>2</sup>  |

## ПРЕДУПРЕДУВАЊЕ

Нивото на осцилација наведено во овие инструкции е измерено во согласност со мерните постапки нормирани во EN 60745 и може да биде употребено за меѓусебна споредба на електро-алати. Ова ниво може да се употреби и за привремена проценка на оптоварувањето на осцилацијата.

Наведеното ниво на осцилација ги репрезентира главните намени на електро-алатот. Но, доколку електро-алатот се употребува за други намени, со отстапувачки додатоци или со несоодветно одржување, нивото на осцилација може да отстапи. Тоа може значително да го зголеми оптоварувањето на осцилацијата за време на целиот работен период.

За прецизна проценка на оптоварувањето на осцилацијата предвид треба да бидат земени и времињата, во коишто апаратот е исклучен или работи, но фактички не се употребува. Тоа може значително да го намали оптоварувањето на осцилацијата за време на целиот работен период.

Утврдете дополнителни безбедносни мерки за заштита на операторот од влијанието на осцилациите, како на пример: одржување на електро-алатот и на додатоци кон електро-алатот, одржување топли раце, организација на работните процеси.

**⚠ ПРЕДУПРЕДУВАЊЕ! Прочитајте ги сите безбедносни упатства и инструкции.** Заборавање на почитувањето на безбедносните упатства и инструкции можат да предизвикаат електричен удар, пожар и/или тешки повреди. **Сочувајте ги сите безбедносни упатства и инструкции за во иднина.**

## УПАТСТВО ЗА УПОТРЕБА

**Носете штитник за уши.** Изложеноста на бука може да предизвика губење на слухот.

**Користете помошни рачки кои доаѓаат заедно со алатот.** Губењето контрола може да предизвика повреда.

**Држете го електричниот алат за издадените површини при изведување на операции при кои алатот за сечење можат да дојдат во контакт со скриени жици.** Контакт со жица под напон исто така ќе направи проводници од металните делови и оној кој ракува со алатот ќе доживее струен удар.

Прашината и струготините не смеат да се одстрануваат додека е машината работи.

Кога работите на сидови, таван или под внимавајте да ги избегнете електричните, гасните и водоводни инсталации.

Отстранете ја батеријата пред да започнете да ја користите машината.

Не ги оставајте искористените батерии во домашниот отпад и не горете ги. Дистрибутерите на Милвоки ги собираат старите батерии, со што ја штитат нашата околина.

Не ги чувајте батериите заедно со метални предмети (ризик од краток спој).

## ЕУ-ДЕКЛАРАЦИЈА ЗА СООБРАЗНОСТ

Ние во целосна одговорност изјавуваме дека овој производ е во сообразност со следните стандарди и стандардизирани документи.  
EN 60745-1:2009 + A11:2010  
EN 60745-2-6:2010  
EN 55014-1:2006 + A1:2009 + A2:2011  
EN 55014-2:1997 + A1:2001 + A2:2008  
и е во согласност со прописите 2011/65/EU (RoHS)  
2006/42/EC  
2004/108/EC.



Winnenden, 2012-08-02

Rainer Kumpf  
Director Product Development

Ополномоштен за составување на техничката документација.

## БАТЕРИИ

Нови комплекти батерии постигнуваат целосен капацитет по 4-5 циклуса на полнење и празнење. Подолг период неупотребувани комплекти батерии да се наполнат пред употреба.

Температура повисока од 50°C (122°F) го намалуваат траењето на батериите. Избегнувајте подолго изложување на батериите на високи температури или сонце (ризик од прегревање).

Клемите на полначот и батериите мора да бидат чисти.

За оптимален работен век, по употреба батериите мора да бидат целосно наполнети.

За можно подолг век на траење, апаратите после нивното полнење треба да бидат извадени од апаратот за полнење на батериите.

Во случај на складирање на батеријата подолго од 30 дена: Акумулаторот да се чува на температура од приближно 27°C и на суво место. Акумулаторот да се складира на приближно 30%-50% од состојбата на наполнетост.

Акумулаторот повторно да се наполни на секои 6 месеци.

## ОДРЖУВАЊЕ

Користете само Milwaukee додатоци и резервни делови. Доколку некои од компонентите кои не се опишани треба да бидат заменети, Ве молиме контактирајте ги сервисните агенти на Milwaukee (консултирајте ја листата на адреси).

Доколку е потребно можно е да биде набавен детален приказ на алатот. Ве молиме наведете го бројот на артиклот како и типот на машина кој е отпечатен на етикетата и порачајте ја скицата кај локалниот застапник или директно кај: Milwaukee Electric Tool, Max-Eyth-Straße 10, D-71364 Winnenden, Germany.

## СИМБОЛИ



Ве молиме пред да ја стартувате машината обрнете внимание на упатствата за употреба.



Дополнителна опрема - Не е вклучена во стандардната, а достапна е како додаток.



Извадете го батерискиот склоп пред отпочнување на каков и да е зафат врз машината.



Не ги фрлајте електричните апарати заедно со другиот домашен отпад! Европска регулатива 2002/96/EC за одлагање на електрична и електронска опрема и се применува согласно националните закони. Електричните апарати кои го достигнале крајот на својот животен век мора да бидат одвоено собрани и вратени во соодветна рециклажна установа.

| 技术数据                           | 充电式锤钻                    | HD 18 H                  | HD 18 HX                 |
|--------------------------------|--------------------------|--------------------------|--------------------------|
| 钻孔直径在混凝土.....                  | 24 mm                    | 24 mm                    | 24 mm                    |
| 钻孔直径在钢材.....                   | 13 mm                    | 13 mm                    | 13 mm                    |
| 钻孔直径在木材.....                   | 30 mm                    | 30 mm                    | 30 mm                    |
| 轻空心钻头在砖块和石灰砂石.....             | 50 mm                    | 50 mm                    | 50 mm                    |
| 无负载转速.....                     | 1400 min <sup>-1</sup>   | 1400 min <sup>-1</sup>   | 1400 min <sup>-1</sup>   |
| 负载冲击次数.....                    | 0-4200 min <sup>-1</sup> | 0-4200 min <sup>-1</sup> | 0-4200 min <sup>-1</sup> |
| 单一冲击能量.....                    | 2,4 J                    | 2,4 J                    | 2,4 J                    |
| 夹头颈直径.....                     | 43 mm                    | 43 mm                    | 43 mm                    |
| 蓄电池种类.....                     | Li-Ion                   | Li-Ion                   | Li-Ion                   |
| 蓄电池电压.....                     | 18 V                     | 18 V                     | 18 V                     |
| 重量符合EPTA—Procedure01/2003..... | 3,5 kg                   | 3,5 kg                   | 3,7 kg                   |

**噪音/振动信息**  
 本测量值符合 EN 60 745 条文的规定。  
 器械的标准A-值噪音级为：  
 音压值 (K=3dB(A)).....88 dB (A) .....88 dB (A)  
 音量值 (K=3dB(A)).....99 dB (A) .....99 dB (A)  
 请戴上护耳罩！

依欧盟EN 60745 标准确定的振荡总值（三方向矢量和）。  
 钻孔 混凝土: a<sub>v</sub> 振荡发射值 .....12,2 m/s<sup>2</sup> .....12,2 m/s<sup>2</sup>  
 K- 不可靠性 = .....1,5 m/s<sup>2</sup> .....1,5 m/s<sup>2</sup>  
 凿挖: a<sub>v</sub> 振荡发射值 .....7,4 m/s<sup>2</sup> .....7,4 m/s<sup>2</sup>  
 K- 不可靠性 = .....1,5 m/s<sup>2</sup> .....1,5 m/s<sup>2</sup>

**注意**  
 本规程列出的依欧盟EN 60745 标准一项标准测量方法测量的振荡级也可用于电动工具比较并适合于临时振荡负荷估计。  
 该振荡级代表电动工具的主要应用。电动工具的其他应用，不正确的工作工具或欠缺维护可造成振荡级偏差。此可明确提高总工作期间的振荡负荷。  
 正确地估计一定工作期间的振荡负荷也要考虑到工具关闭或接通而不使用的期间。此可明确减少总工作期间的振荡负荷。  
 为提高操作人员对振荡作用的保护得规定补充安全措施：电动工具及工作工具的维护，温手，工作过程组织等。

**▲ 注意！** 务必仔细阅读所有安全说明和安全指示（应注意阅读附上的小册子）。如未确实 遵循警告提示和指示，可能导致电击、火灾并且/ 其他的严重伤害。  
 妥善保存所有的警告提示和指示，以便日后查阅。

### 特殊安全指示

请戴上耳罩。工作噪音会损坏听力。  
 使用包含在供货范围中的辅助把手。如果工作时无法正确操控机器，容易造成严重的伤害。  
 切割工具会碰到隐藏电线或自己的电缆时，得将器械握住于其绝缘把手表面。  
 切割工具接触到通电电线可将电压加到器械的金属部分并造成电击。  
 操作机器时务必佩戴护目镜。最好也穿戴工作手套、坚固防滑的鞋具和工作围裙。  
 如果机器仍在运转，切勿清除其上的木屑或金属碎片。  
 工作尘往往有害健康，不可以让工作尘接触身体。工作时请佩戴合适的防尘面具。  
 在机器上进行任何修护工作之前，先拿出蓄电池。  
 损坏的蓄电池不可以丢入火中或一般的家庭垃圾中。  
 Milwaukee 提供了符合环保要求的回收项目： 请向您的专业经销商索取有关详情。  
 蓄电池不可以和金属物体存放在一起（可能产生短路）。  
 Milwaukee 18 V 系列的蓄电池只能和 Milwaukee 18 V 系列的充电器配合使用。不可以使用本充电器为其它系列的电池充电。

不可拆开蓄电池和充电器。蓄电池和充电器必须储藏在干燥的空间，勿让湿气渗入。

在过度超荷或极端的温度下，可能从损坏的蓄电池中流出液体。如果触摸了此液体，必须马上使用肥皂和大量清水冲洗。如果此类液体侵入眼睛，马上用清水彻底清洗眼睛（至少冲洗 10 分钟），接着即刻就医治疗。

**充电器的充电格中，不可以存在任何金属物质（可能产生短路）。**

### 正确地使用机器

本充电式电动锤钻功能广泛，包括锤钻石材以及在木材、金属和塑料上钻孔等，并且不需连接电源。  
 请依照本说明书的指示使用此机器。

### 蓄电池

有关密尔瓦基（Milwaukee）Milwaukee 18 V 蓄电池的特殊指示，请参考充电器的操作指南。

新的蓄电池经过 4-5 次的充、放电后，可达到最大的容量。长期存放的蓄电池，必须先充电再使用。

如果周围环境的温度超过摄氏 50 度，蓄电池的功能会减弱。勿让蓄电池长期暴露在阳光或暖气下。

充电器和蓄电池的接触点都必须保持干净。

为确保最长使用寿命，充电后应把蓄电池从充电器取出。

蓄电池储存时间长于30日：  
 在环境温度27°C左右干燥处储存蓄电池。  
 在百分之30至50充电状态储存蓄电池。  
 每6月重新充电。

### 维修

机器的通气孔必须随时保持清洁。

如果碳刷耗尽了，除了更换碳刷之外，最好也把机器交给顾客服务中心进行全面检修。这样可以提高机器的使用寿命，并且可以保证随时能够使用机器。

只能使用 Milwaukee 的配件和 Milwaukee 的零件。缺少检修说明的机件如果损坏了，必须交给 Milwaukee 的顾客服务中心更换（参考手册“保证书/顾客服务中心地址”）。

如果需要机器的分解图，可以向您的顾客服务中心或直接向 Milwaukee Electric Tool, Max-Eyth-Straße 10, D-71364 Winnenden, Germany。案件时必须提供以下资料： 机型和机器铭牌上的十位数号码。

### 符号



使用本机器之前请仔细阅读使用说明书。



配件 - 不包含在供货范围中。请另外从配件目录选购。



在机器上进行任何修护工作之前，先拿出蓄电池。



不可以把损坏的电动工具丢弃在家庭垃圾中！根据被欧盟各国引用的有关旧电子机器的欧洲法规 2002/96/EG，必须另外收集旧电子机器，并以符合环保规定的方式回收再利用。

Copyright 2012  
Milwaukee Electric Tool  
Max-Eyth-Straße 10  
D-71364 Winnenden  
Germany  
+49 (0) 7195-12-0



(09.12)

**4931 4141 13**