

Jøtul F 130 Series

| | |
|--|----|
| UK - Installation and Operating Instructions | 3 |
| FR - Manuel d'installation et d'utilisation | 24 |
| NL - Installatie- en montagehandleiding | 45 |



Jøtul F 134



Jøtul F 135



Jøtul F 136



Jøtul F 137



The manuals which are enclosed with the product must be kept throughout the product's entire service life. Les manuels fournis avec le produit doivent être conservés pendant toute la durée de vie du produit. De handleidingen die zijn meegeleverd met het product moeten tijdens de volledige levensduur van het product worden bewaard.



| Requirements / Exigences / Requisitos / Requisiti / Vereisten / Forderungen | |
|--|--|
| Supplier / Fabricante / Fornitore / Vereisten / Lieferant: | Jøtul AS |
| Product models Produits concernés Modelos Modelli Product modellen Varianten der Feuerstelle | Jøtul F 130 Series: Jøtul F 134 Jøtul F 135 Jøtul F 136 Jøtul F 137 |
| Energy efficiency class / Classe énergétique / Clase de eficiencia energética / Classe energetica / Energie efficiëncy klasse / Energieeffizienz-Klasse | A+ |
| Direct heat output / Puissance réelle de sortie / Potencia calorífica emitida / Emissione di calore diretta / Directe warmte afgifte / Nennwärmeleistung | 5,4 kW |
| Energy efficiency index / Index de rendement énergétique / Índice de eficiencia energética / Indice di efficienza energetica / Energie efficiëncy index / Energieeffizienz-Index | 111,4 |
| Efficiency at nominal heat output / Rendement à puissance nominale / Eficiencia al rendimiento nominal / Efficienza alla potenza nominale / Efficiency bij nominale warmte afgifte / Wirkungsgrad bei Nennheizleistung | 83 % |
| <ul style="list-style-type: none"> Any specific precautions that shall be taken when the local space heater is assembled installed or maintained. Toutes les précautions spécifiques doivent être prises lors de l'assemblage, l'installation ou l'entretien de l'appareil. Cualquier precaución específica que deba tenerse en cuenta durante el montaje, instalación o mantenimiento del equipo de calefacción Precauzioni specifiche da prendere quando il riscaldatore viene assemblato, installato o mantenuto in uno spazio. Eventuele specifieke voorzorgsmaatregelen die worden genomen wanneer de plaatselijke ruimteverwarming wordt gemonteerd, geïnstalleerd of onderhouden. Besondere Maßnahmen bei Montierung, Installation und Wartung. | <ul style="list-style-type: none"> Fire safety precautions such as safety distances when installing, national standards, local codes and regulations. See the Instructions manual. Les précautions d'incendie telles que les distances de sécurité lors de l'installation, le suivi des normes, les codes locaux et les réglementations nationales. Veuillez lire le manuel d'installation. Precauciones frente a incendios como distancia de seguridad en la instalación, estándares nacionales, códigos locales y reglamentos. Lea el manual de instalación. Precauzioni per la sicurezza antincendio come le distanze di sicurezza durante l'installazione, le normative nazionali e locali. Leggere il manual. Brandveiligheidsmaatregelen, zoals veiligheidsafstanden bij installatie, nationale normen, lokale codes en voorschriften. Lees de installatiehandleiding. Für brenntechnische Verhältnisse, wie z.B. Aufstellbedingungen und nationale Forderungen. Siehe die Montage- und Bedienungsanleitung. |

Table of contents

Installation manual with technical data

| | |
|---|----|
| 1.0 Relationship to the authorities | 3 |
| 2.0 Technical data | 3 |
| 3.0 Safety | 4 |
| 4.0 Installation | 10 |
| 5.0 Daily use..... | 19 |
| 6.0 Maintenance..... | 20 |
| 7.0 Service..... | 20 |
| 9.0 Optional Equipment | 22 |
| 10. Troubleshooting..... | 22 |
| 10.0 Recycling..... | 23 |
| 11 Guarantee terms..... | 23 |

UK - Register your fireplace at jotul.com for a 25-year warranty.

| Product: Jøtul Room heater fired by solid fuel | | | | CE | |
|--|---|-----------------------|--|-----------|--|
| Standard | Minimum distance to adjacent combustible materials: | | | | |
| | Emission of CO in combustion products: | | | | |
| | Flue gas temperature | | | | |
| | Nominal heat output: | | | | |
| | Efficiency | | | | |
| | Operation range: | | | | |
| | Fuel type | | | | |
| | Operational type | | | | |
| | The appliance can be used in a shared flue. | | | | |
| Country | Classification | Certificator/standard | Approved by | | |
| Norway | klasse II | | | | |
| Sveobst | ccc | SP | SP Sveriges Provnings- och Forskningsinstitut AB | | |
| EUR | Intermittent | EN | SP Swedish National Testing and Research Institute | | |
| Follow user's instructions. Use only recommended fuels. Montage- und Bedienungsanleitung beachten. Verwenden Sie nur empfohlenen Brennstoffen. Respectez les consignes d'utilisation. Utilisez uniquement les combustibles recommandés. | | | | | |
| Serial no: Y-xxxx, Year: 200x | | | | | |
| Manufacturer: Jøtul AS POB 1441 N-1602 Fredrikstad Norway | 22546 | | | | |

On all our products there is a label indicating the serial number and year. Write this number in the place indicated in the installation instructions.

Always quote this serial number when contacting your retailer or Jøtul.

Serial no.

1.0 Relationship to the authorities

Installation of a fireplace must be according to local codes and regulations in each country. All local regulations, including those which refer to national and European standards, must be observed when installing the product.

The installation can only be put into use after it has been checked by a qualified inspector. Contact your local building authorities before installing a new fireplace.

A product approval plate of heat-resistant material is to be found at the back of the base / on the inside of the front cover of the pedestal. This contains information about identification and documentation for the product.

2.0 Technical data

| | |
|-------------------------|----------------------|
| Material: | Cast iron / steel |
| Finish: | Black paint |
| Flue outlet: | Top, rear |
| Flue pipe dimension: | Ø150 mm |
| Outside air connection: | Alu. flex. - Ø100 mm |

Approx. weight:

| | |
|----------------------------|---------------------------|
| Burnchamber with pedestal: | 120 kg |
| Burnchamber with base: | 140 kg |
| Optional equipment: | Ø 100 external air supply |
| Dimensions, distances: | See fig. 1 |

Technical data in acc. with EN 13240 and NS 3058 / 3059

| | |
|--|---|
| Nominal heat output: | 4,7 kW |
| Flue gas volume: | 3,7 g/s |
| Chimney draught, EN 13240: | 12 Pa |
| Recommended negative pressure in smoke outlet: | 16 Pa |
| Efficiency: | 83% @ 5,4 kW |
| CO emissions (13% O ₂): | 0,10 % |
| CO emissions (13% O ₂): | 1180 mg / Nm ³ |
| NOx at 13% O ₂ : | 148 mg / Nm ³ |
| OGC @ 13 % O ₂ : | 79 mg / Nm ³ |
| Particle emission NS 3058 / 3059: | 1,89 g / kg |
| Air consumption: | 3,1 liter/sek. |
| Chimney temperature, EN 13240: | 260 °C |
| Dust: | 5 mg / Nm ³ @ 13% O ₂ |

| | |
|--------------------------|--------------|
| Type of fuel: | Wood |
| Max. log length: | 20 cm |
| Fuel consumption: | 1,52 kg/h |
| Max. kindling amount: | 1,54 kg |
| Nominal kindling amount: | 1,25 kg |
| Operation: | Intermittent |

Intermittent combustion in this context means normal use of the fireplace, i.e. fuel is added as soon as the fuel has burnt down to a suitable amount of embers.

ENGLISH

3.0 Safety

NB! To guarantee optimal performance and safety, Jøtul recommends that its stoves are fitted by a qualified installer (see www.jotul.com for a complete list of dealers).

Any modifications to the product may result in the product and safety features not functioning as intended. The same applies to the installation of accessories or optional extras not supplied by Jøtul. This may also be the case if parts that are essential to the functioning and safety of the fireplace have been disassembled or removed.

In all these cases, the manufacturer is not responsible or liable for the product and the right to make a complaint becomes null and void.

Note! Parts of the stove, especially the external surfaces become hot during use. Caution!

The Clean Air Act

“The Clean Air Act 1993 and Smoke Control Areas”

Under the Clean Air Act local authorities may declare the whole or part of the district of the authority to be a smoke control area. It is an offence to emit smoke from a chimney of a building, from a furnace or from any fixed boiler if located in a designated smoke control area. It is also an offence to acquire an “unauthorised fuel” for use within a smoke control area unless it is used in an “exempt” appliance (“exempted” from the controls which generally apply in the smoke control area).

In England appliances are exempted by publication on a list by the Secretary of State in accordance with changes made to sections 20 and 21 of the Clean Air Act 1993 by section 15 of the Deregulation Act 2015. Similarly in Scotland appliances are exempted by publication on a list by Scottish Ministers under section 50 of the Regulatory Reform (Scotland) Act 2014.

In Northern Ireland appliances are exempted by publication on a list by the Department of Agriculture, Environment and Rural Affairs under Section 16 of the Environmental Better regulation Act (Northern Ireland) 2016.

In Wales appliances are exempted by regulations made by Welsh Ministers.

Further information on the requirements of the Clean Air Act can be found here: <https://www.gov.uk/smoke-control-area-rules>

Your local authority is responsible for implementing the Clean Air Act 1993 including designation and supervision of smoke control areas and you can contact them for details of Clean Air Act requirements.

The Jøtul F 134, Jøtul F 135, Jøtul F 136 and Jøtul F 137 have been recommended as suitable for use in smoke control areas when burning wood logs.

3.1 Fire Prevention Measures

There is a certain element of danger every time you use your fireplace. The following instructions must therefore be followed:

- The minimum safety distances when installing and using the fireplace are given in **fig. 1**. The specified distance to flammable materials, applies to this stove. The stove must be installed with a CE approved flue. The distance of the flue pipe to combustible materials must also be observed.
- Ensure that furniture and other flammable materials are not too close to the fireplace. Flammable materials should not be placed within 900 mm of the fireplace.
- Allow the fire to burn out. Never extinguish the flames with water.
- The fireplace becomes hot when lit and may cause burns if touched.
- Only remove ash when the fireplace is cold. Ash can contain hot embers and should therefore be placed in a non-flammable container.
- Ash should be placed outdoors or be emptied in a place where it will not present a potential fire hazard.

In case of chimney fire:

- Close all hatches and vents.
- Keep the firebox door closed.
- Check the loft and cellar for smoke.
- Call the fire service.
- Before use after a fire an expert must check the fireplace and the chimney in order to ensure that it is fully functional.

3.2 Floor

Foundation

You need to make sure the foundation is suitable for a fireplace. See “**2.0 Technical Data**” for specified weight.

We recommend the removal of any flooring that is not attached to the foundation (“floating floors”) beneath the installation.

Requirements for protection of inflammable floors in front of the fireplace

The front plate must comply with national laws and regulations.

Contact your local building authorities regarding restrictions and installation requirements.

The purpose of a floor plate is to protect the floor and combustible material from embers.

Jøtul recommends that any flooring made of combustible material, such as linoleum, carpets, etc. should be removed from under the floor plate.

Note! The space underneath the burnchamber of Jøtul F 134 / Jøtul F 135 (product with base) cannot be used for wood storage or for any other combustible material.

3.4 Walls

Distance to walls made of combustible material - see fig. 1a and 1c.

Distance to combustible wall protected by firewall: - see fig. 1b and 1d .

The fireplace may be used with an uninsulated flue pipe provided the distances between the fireplace and walls made of combustible materials are as shown in **fig. 1a and 1c**. Distances to combustible material using semi insulated or shielded flue pipe are also shown in **fig. 1a and 1c**.

Ensure that furniture and other flammable materials are not too close to the fireplace. Flammable materials should not be placed within 900 mm of the fireplace.

Make sure that furniture and other household items are not so close as to get dried up by the stove.

Fresh air supply

The air used for combustion in any well-insulated house needs to be replaced. This is particularly important in houses with mechanical ventilation. Such replacement air can be procured in several ways. The most important thing is to supply the air to the room where the stove is placed. Place the outside wall valve as close to the stove as possible and make sure that it can be closed when the stove is not in use.

For the fresh air supply connection, follow the national and local building regulations.

Important! Ensure that air vents in the room where the fireplace is located are not blocked.

Closed combustion system

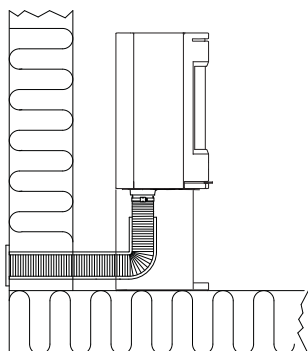
Use the stove's closed combustion system if you live in recently built, airtight dwellings. Connect the external combustion air through a ventilation pipe through the wall or the floor.

Air supply

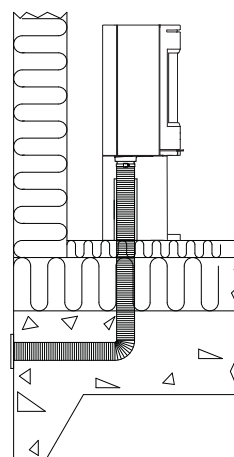
The amount of combustion air for Jøtul's products is approximately 20-40 m³/h. The outside air connection may be fitted directly to the Jøtul F 130 through:

- the bottom
- through a flexible supply hose from the outside/chimney (only if the chimney has its own duct for external air) and to the product's outside air connector.

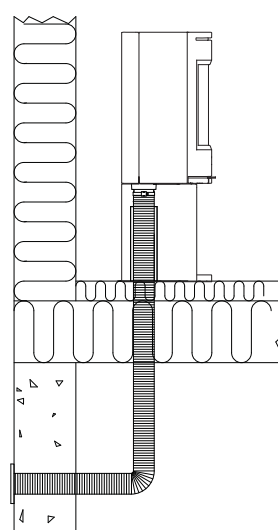
Figur 2A, Through an outside wall



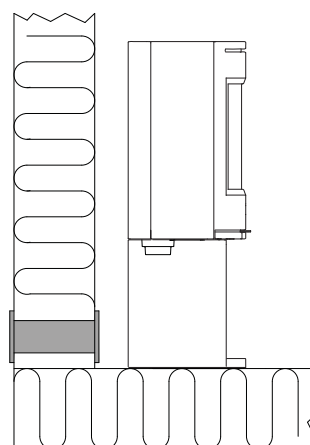
Figur 2B, Through the floor and ground plate



Figur 2C, Through the floor and basement



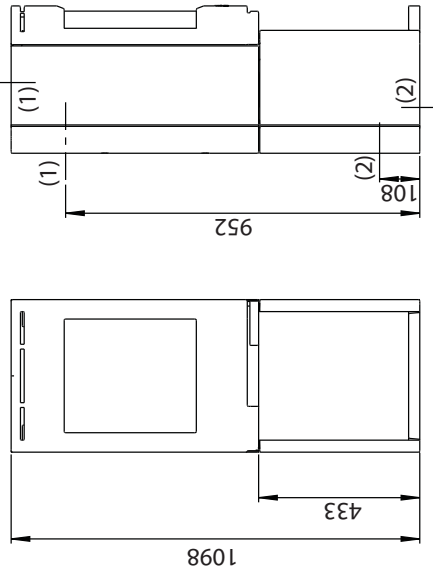
Figur 2D, Indirectly through an outside wall



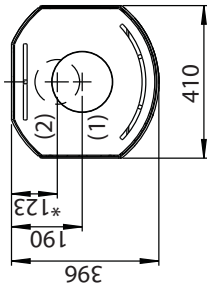
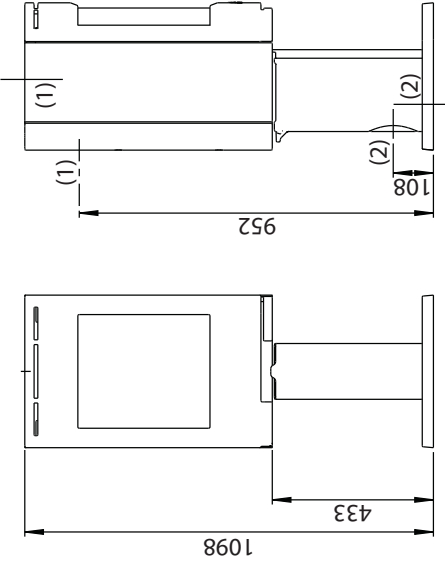
Jøtul F 130 Series

Fig. 1a

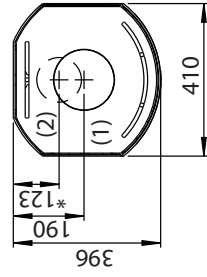
Jøtul F 134 (with base / without sideglasses)



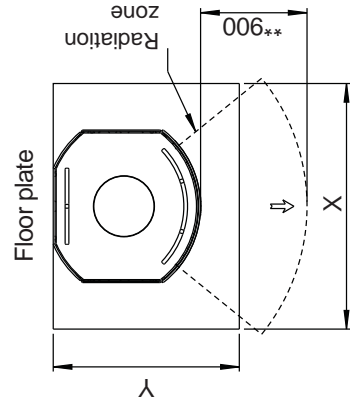
Jøtul F 136 (with pedestal without sideglasses)



(1) - Flue pipe center
(2) - Outside air connection center



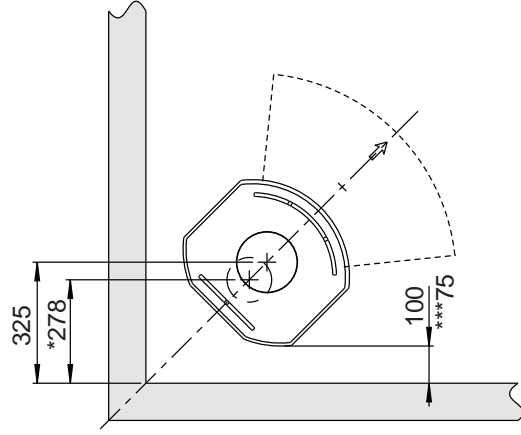
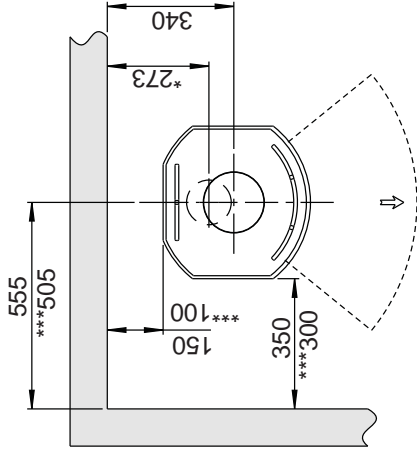
Min. measurements floorplate
X / Y= According to national laws and regulations



- * Outside air connection
- ** Min. distance to furniture / combustible material
- *** Distance to combustible wall with semi-insulated / shielded flue pipe

Combustible wall

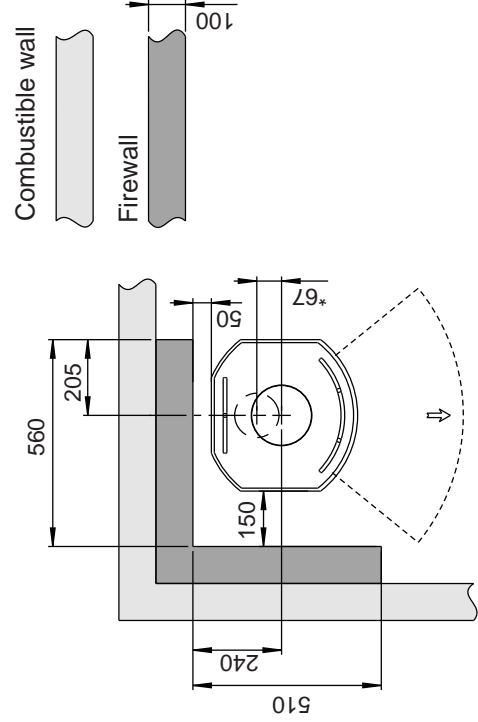
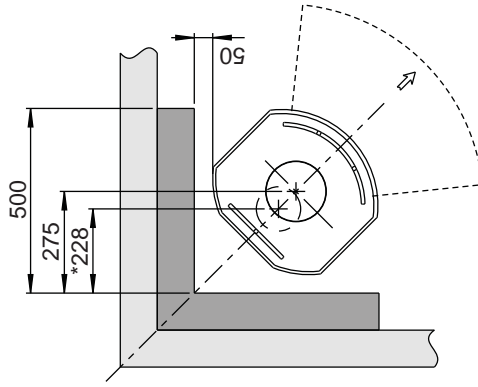
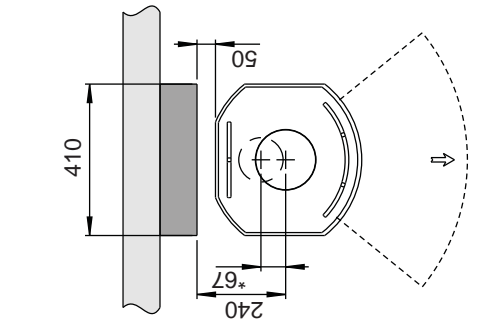
Min. distance to combustible wall



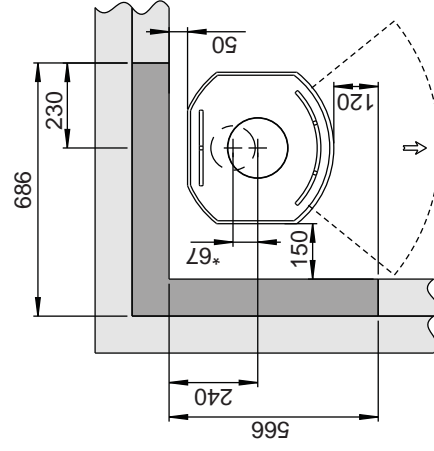
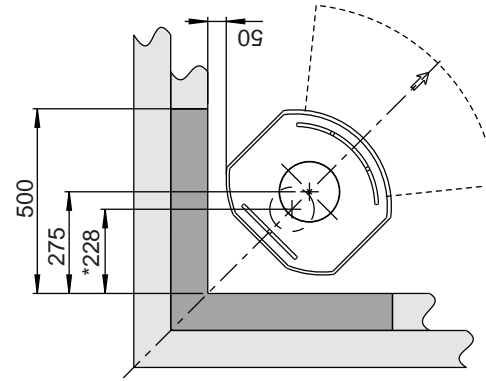
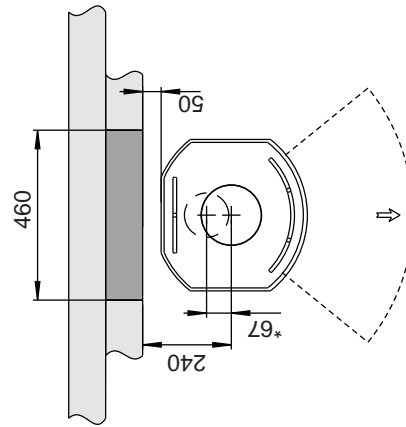
Jøtul F 130 Series

Jøtul F 134 / F 136 - min. distance to firewall

External



Integrated



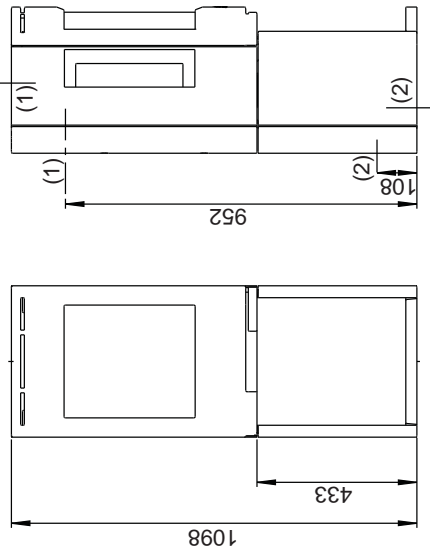
* External air supply

900189-P01

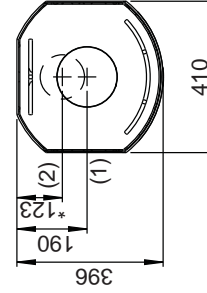
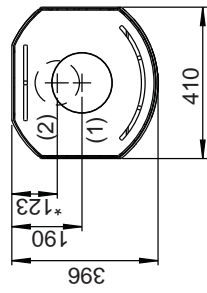
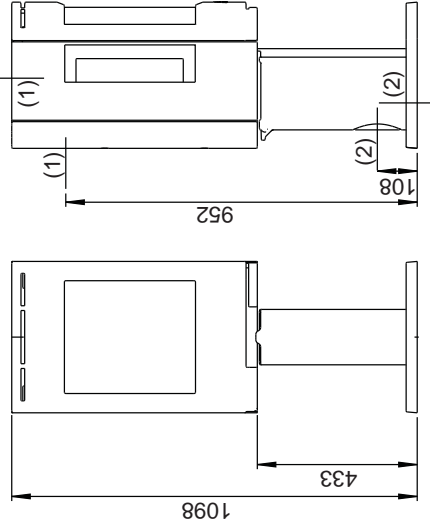
Jøtul F 130 Series

Fig. 1c

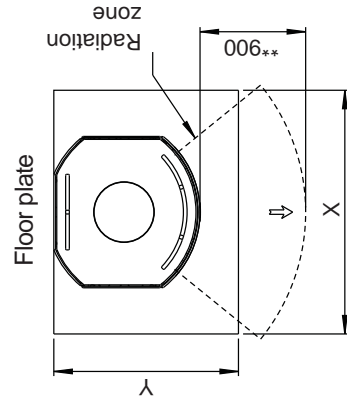
Jøtul F 135 (with base and sideglases)



Jøtul F 137 (with pedestal and sideglases)



(1) - Flue pipe center
(2) - Outside air connection center



Min. measurements floor plate
X / Y= According to national laws and regulations

- * Outside air connection
- ** Min. distance to furniture / combustible material
- *** Distance to combustible wall with semi-insulated / shielded flue pipe

Combustible wall

Min. distance to combustible wall

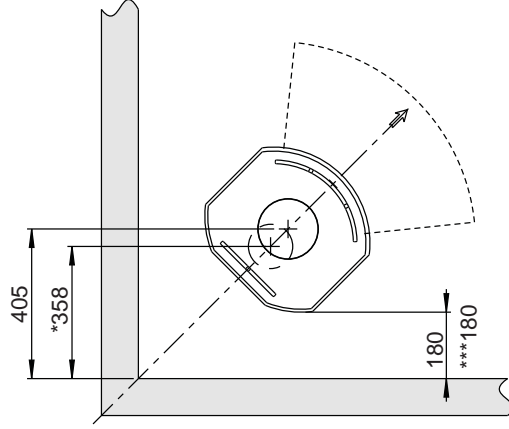
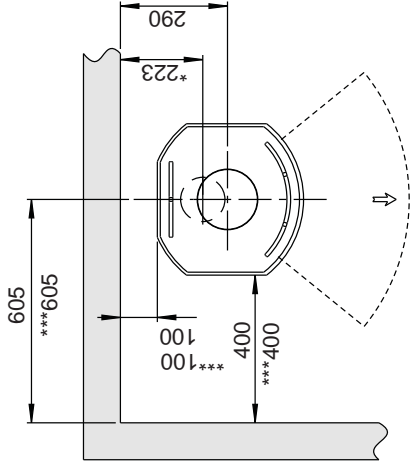
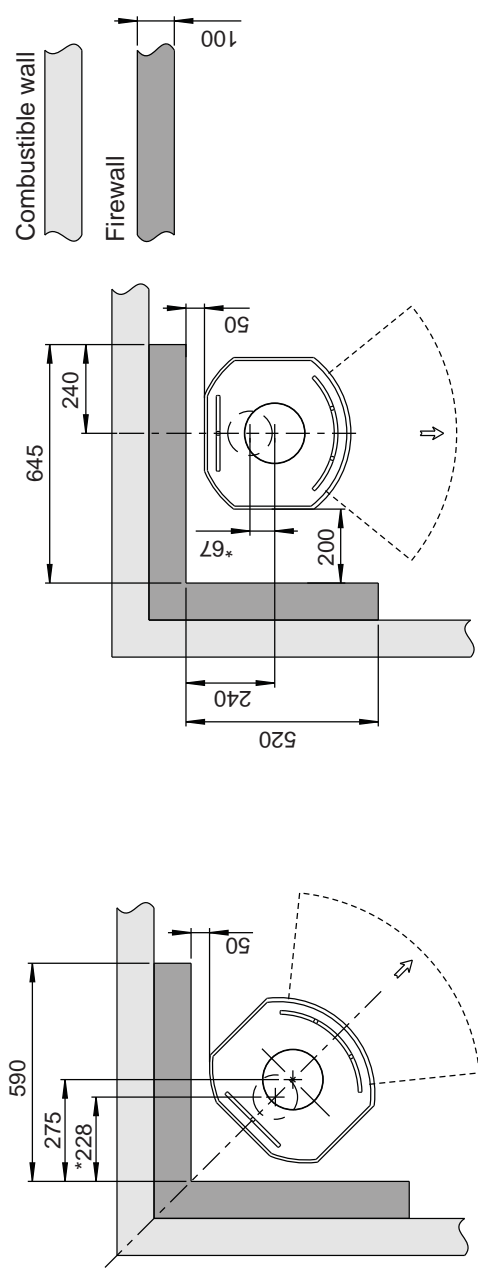


Fig. 1d

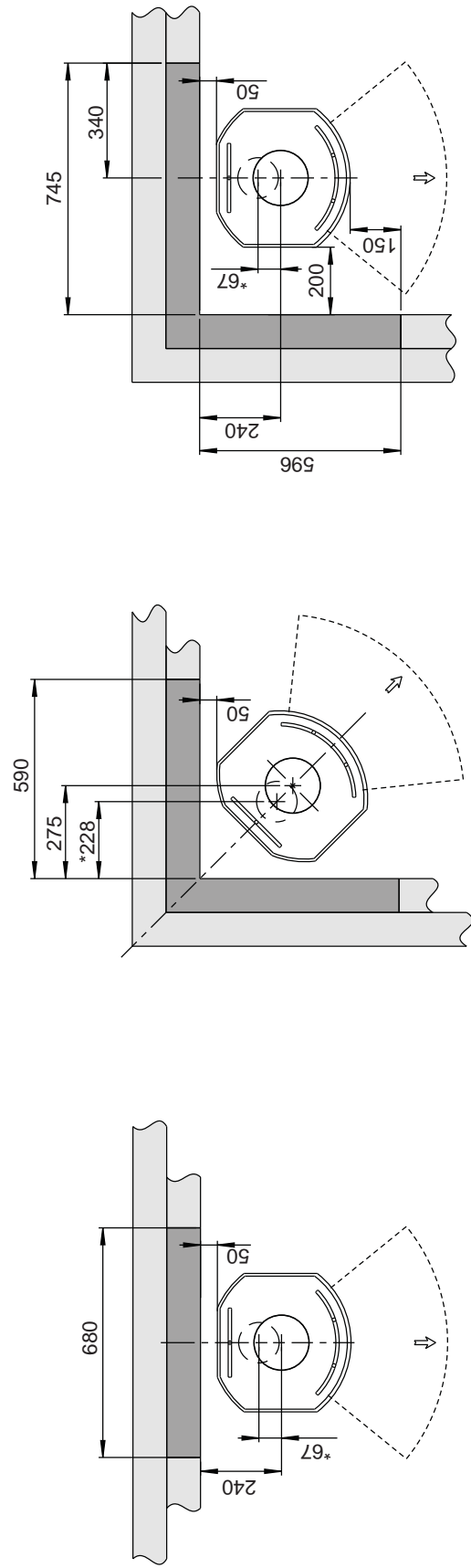
Jøtul F 130 Series

Jøtul F 135 / F 137 - min. distance to firewall

External



Integrated



* External air supply

900196-P01

ENGLISH

4.0 Installation

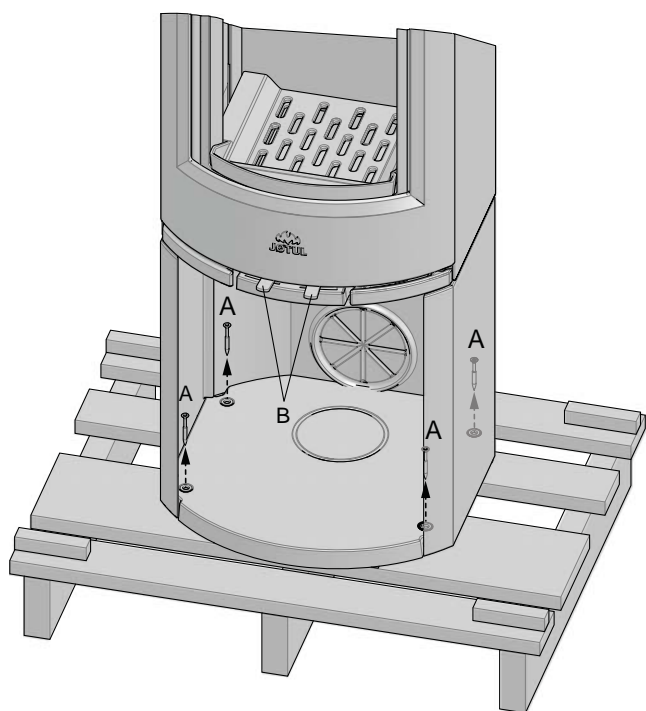
- Before installing the fireplace, check it carefully for any signs of damage.
- The product is heavy! Ask someone to help you when positioning and installing it.
- **Make sure that furniture and other household items are at a safe distance from the fireplace to protect them from drying out.**
- Do not place anything on the top plate of the stove as this could cause permanent damage to the paint/enamel.

4.1 Prior to installation

- When the product is unpacked, take out the ash pan and its contents, the fire grate, burn plates, baffle plates, exhaust deflector and the cover plate for the external air supply before the stove is being used for the first time.

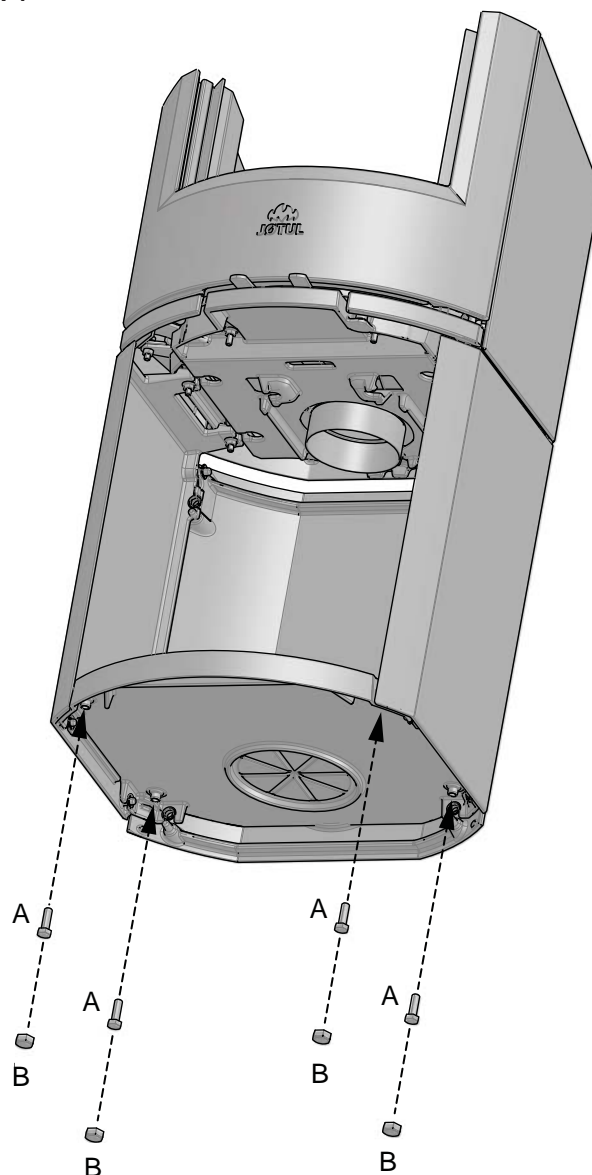
4.1 Preparations - Jøtul F 134 / F 135 with base

Fig. 3



1. Remove the four transport screws (**A**) that fasten the stove to the wooden pallet.
2. Leave the stove standing on the transport pallet.
3. Remove the gloves from the ash pan.
4. Remove the baffle, inner bottom plate, and bag of screws from the burn chamber.
5. Check that the control levers (**B**) move easily.

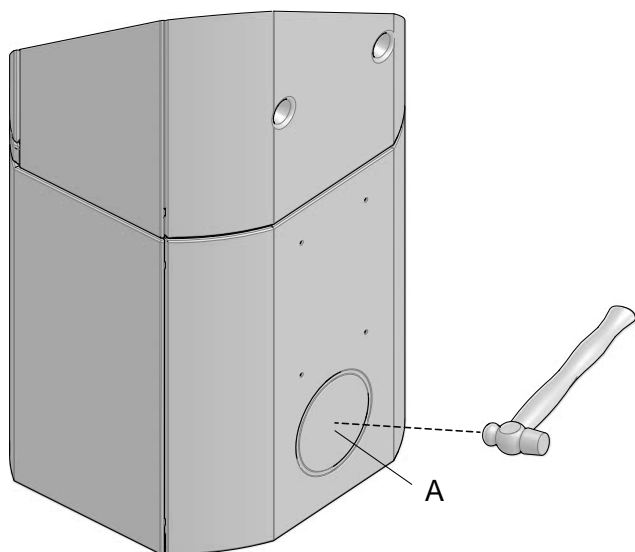
Fig. 4



6. Fit the height adjustment screws (**A**) together with plastic caps (**B**) which are in the bag of screws. **NB: If using the glass floor plate option, the stove must be raised approx. 8 mm off the floor to allow the floor plate to be slid under the front edge of the base.**
7. Lift the stove off the pallet.
8. Perform a trial installation of the stove, using the 4 height adjustment screws to ensure it is horizontal.
9. Mark on the wall if there are to be rear vents for the flue pipe and/or outside air supply. **NB: Make allowance for the height of the floor plate.**

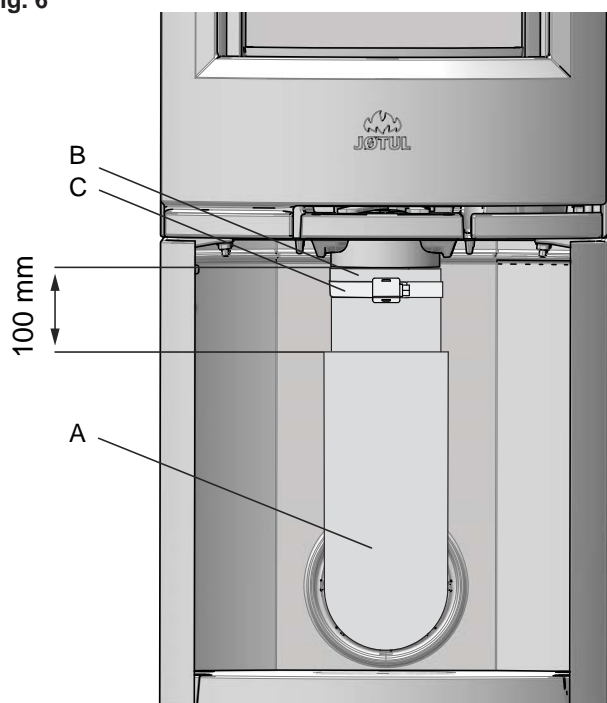
Outside air connection through rear outlet

Fig. 5



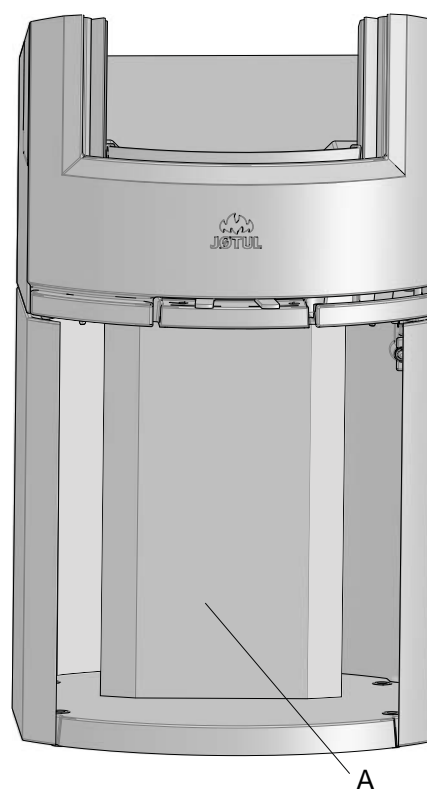
1. If the external air supply is to be provided by attaching a flex hose (\varnothing 100 mm) to the outside air connector underneath the burn chamber, knock out the removable cover plate (A) first.

Fig. 6



2. For attaching the \varnothing 100 mm outside air hose (A) (optional fitting - item no. 51012164), refer to the manual (10026187) supplied with the outside air set. Attach the hose to the outside air connector (B) using a hose clip (C). Terminate the insulation approx. 100 mm below the burn chamber.

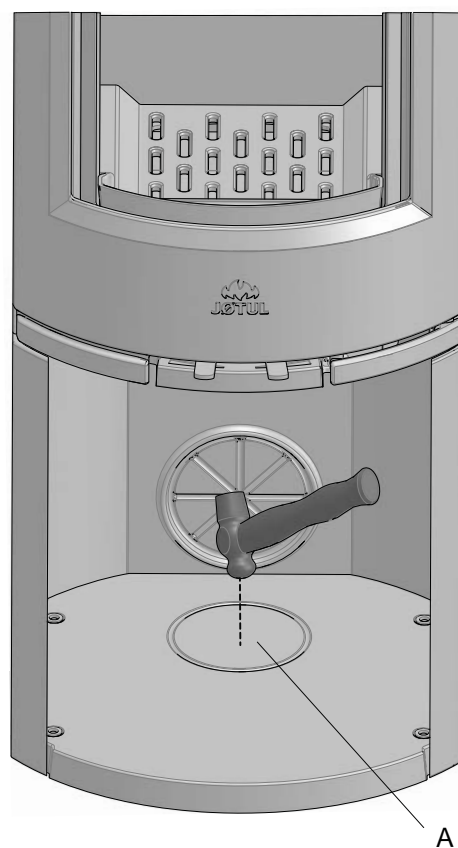
Fig. 7



3. Fit the supplied plate (A) to hide the outside air hose.

Outside air connection through the base

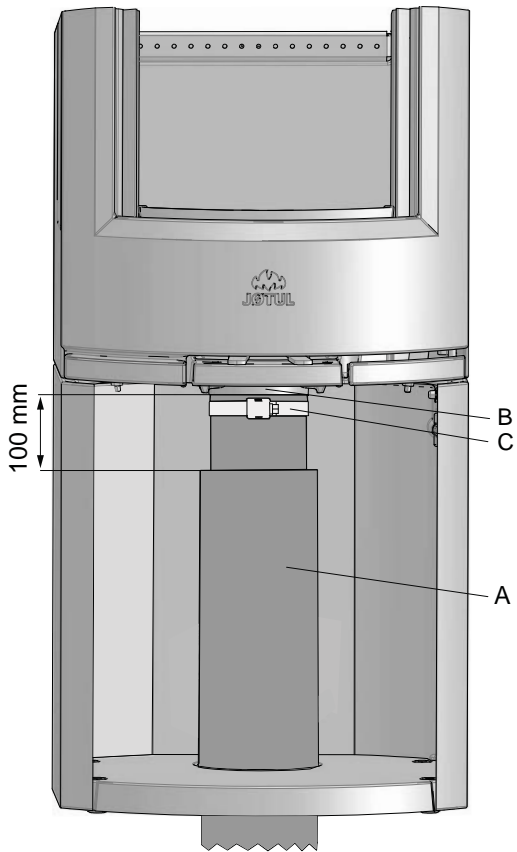
Fig. 8



4. Knock out the bottom cover (A) with a hammer.
5. Place the stove in its intended position. See **fig. 1** for correct placement with regard to safe distances.

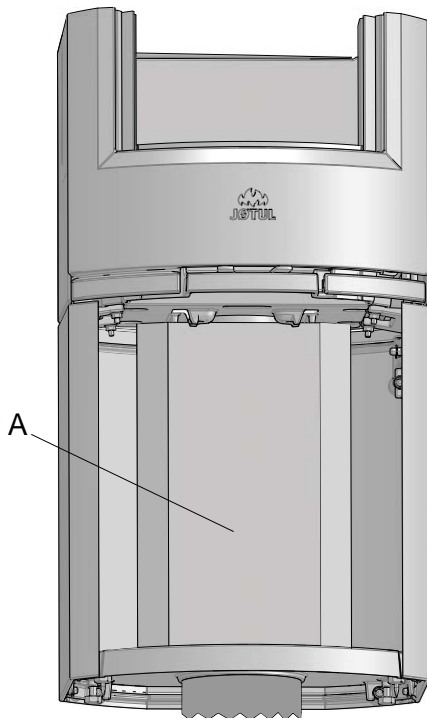
ENGLISH

Fig. 9



6. For attaching the \varnothing 100 mm outside air hose (A) (optional fitting - item no. 51012164), refer to the manual (10026187) supplied with the outside air set. Attach the hose to the outside air connector (B) using a hose clip (C). Terminate the insulation approx. 100 mm below the burn chamber.

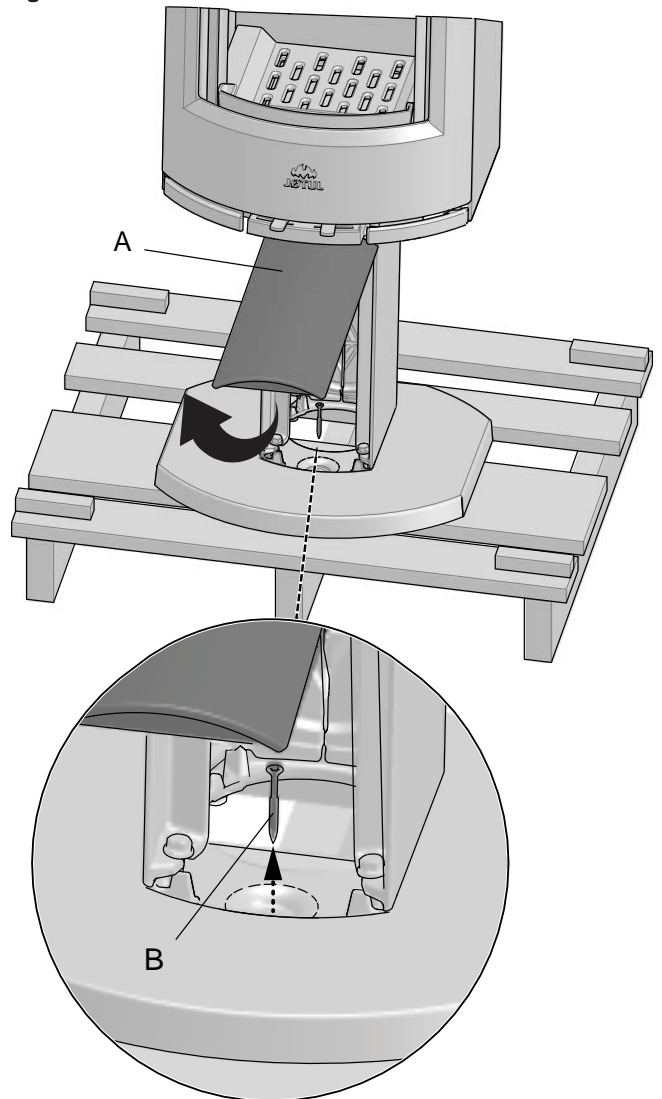
Fig. 10



7. Fit the supplied plate (A) to hide the outside air hose.

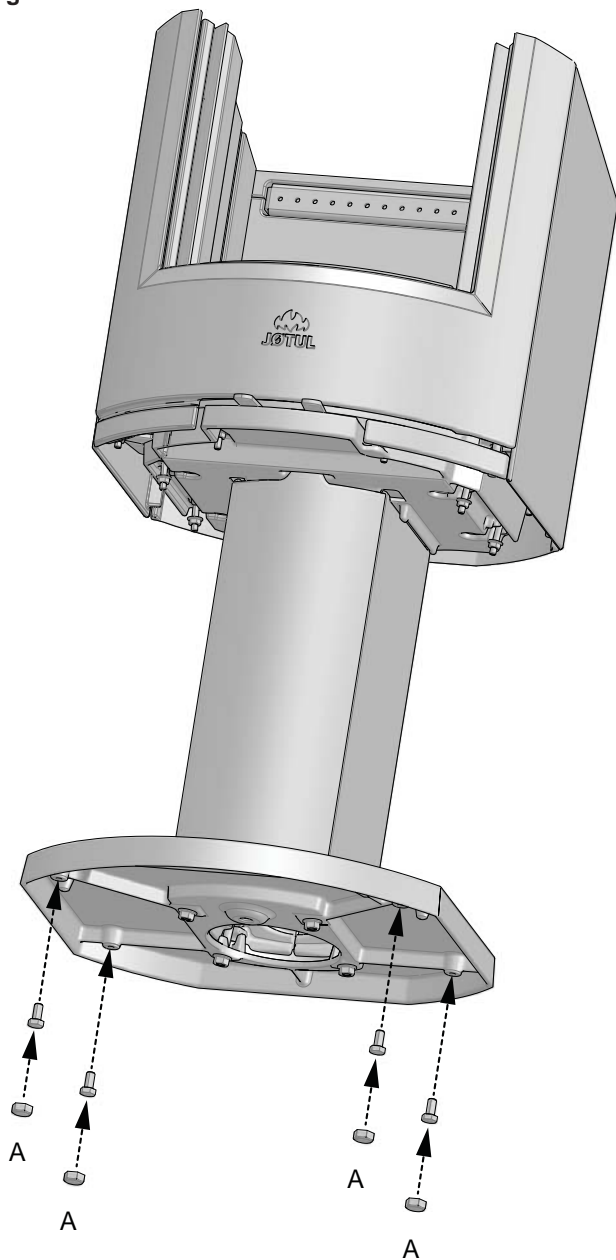
4.2 Preparations for Jøtul F 136 / F 137 with pedestal

Fig. 11



8. Lift the front cover (A) on the pedestal up and forwards and put it to one side.
9. Unscrew the transport screw (B) and remove it.
10. Replace the front cover (A).
11. Lift the stove off the pallet

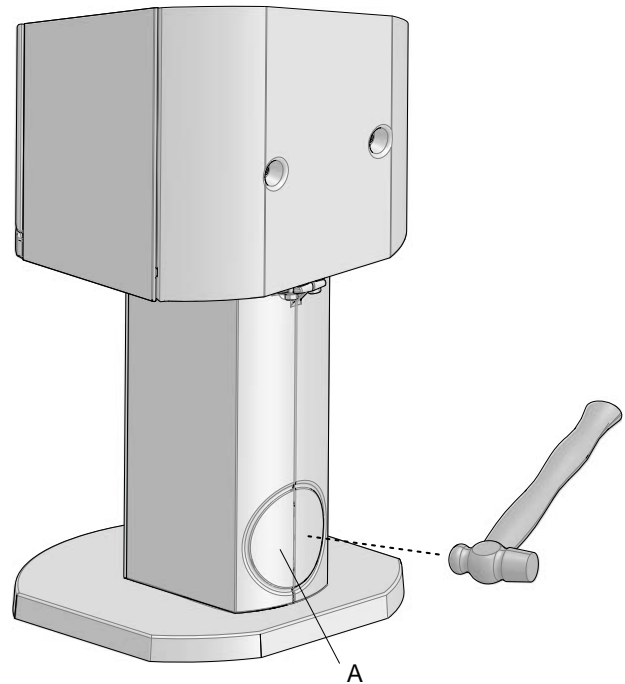
Fig. 12



1. Screw in the supplied height adjustment screws (A) with plastic caps (B) which are in the bag of screws. **NB: If using the glass floor plate option, the stove must be raised approx. 8 mm off the floor to allow the floor plate to be slid under the front edge of the pedestal.**

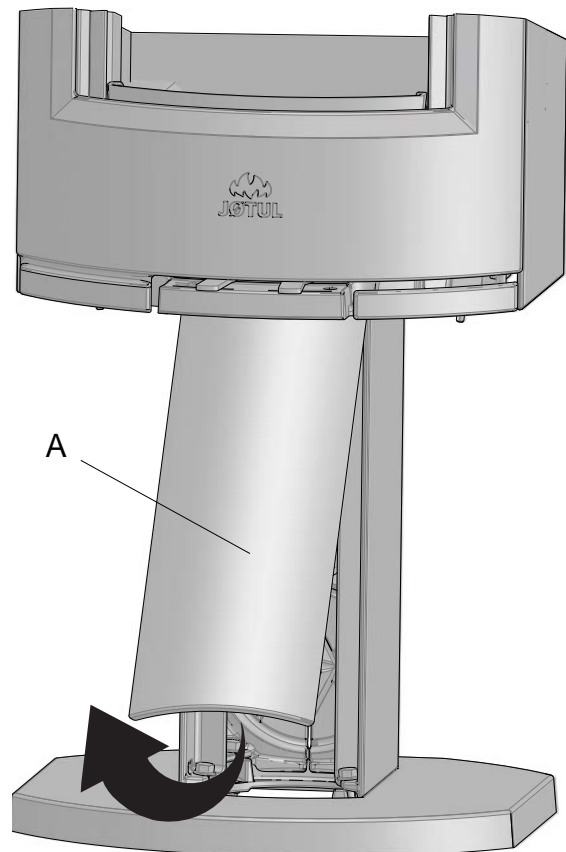
Outside air connection through rear outlet in pedestal

Fig. 13



2. Knock out the rear cover (A) in the pedestal with a hammer.
3. Place the stove in its intended position. See **fig. 1** for correct placement with regard to safe distances.

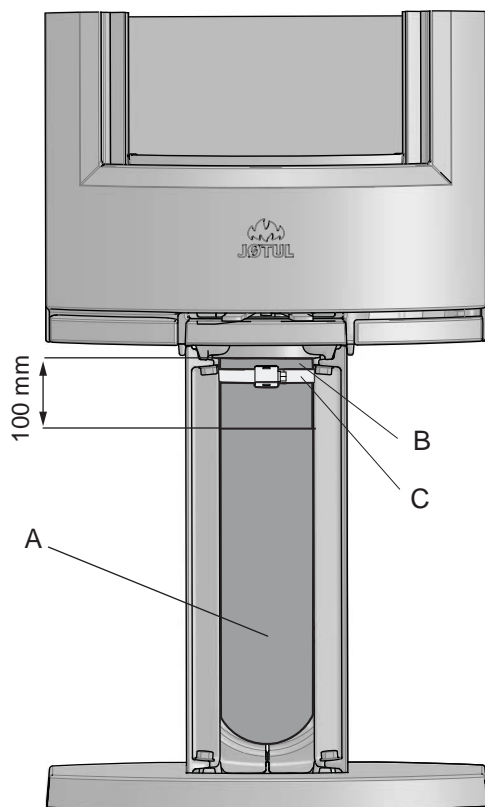
Fig. 14



1. Remove the cover (A) on the front of the pedestal by lifting it up and forwards. Place it to one side..

ENGLISH

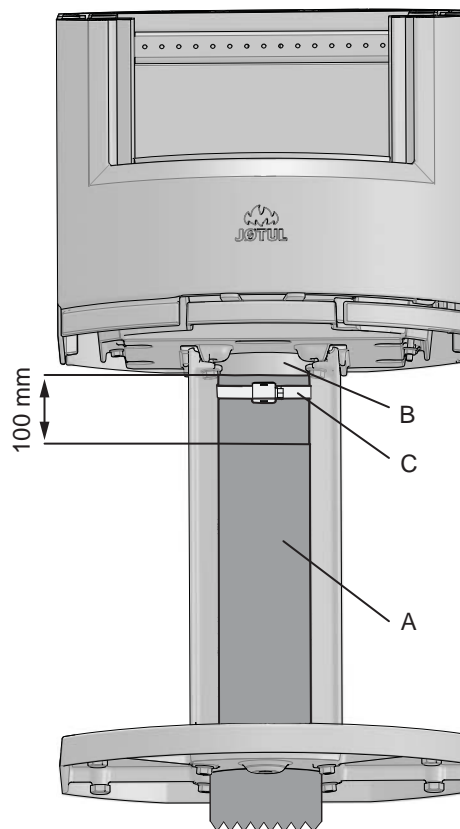
Fig. 15



2. For attaching the \varnothing 100 mm outside air hose (A) (optional fitting - item no. 51012164), refer to the manual (10026187) supplied with the outside air set. Attach the hose to the outside air connector (B) using a hose clip (C). Terminate the insulation approx. 100 mm below the burn chamber.
3. Replace the front cover on the pedestal.

Outside air connection through the base of the pedestal

Fig. 16



4. Remove the cover (A) on the front of the pedestal by lifting it up and forwards. Place it to one side (see fig. 14).
5. For attaching the \varnothing 100 mm outside air hose (A) (optional fitting - art. no. 51012164), refer to the manual (10026187) supplied with the outside air set. Attach the hose to the outside air connector (B) using a hose clip (C). Terminate the insulation approx. 100 mm below the burn chamber.
6. Replace the front cover on the pedestal.

4.3 Chimney and flue pipe

- The fireplace must only be connected to a chimney and flue pipe approved for solid fuel fireplaces with flue gas temperatures as specified in «2.0 Technical Data».
- The specified distance to flammable materials, applies to this stove.
- The stove must be installed with a CE approved flue.
- The distance of the flue pipe to combustible materials must also be observed.
- The cross-section of the chimney must be designed to fit the fireplace. Use «2.0 Technical Data» to calculate the correct chimney cross-section.
- The chimney must be connected in accordance with the installation instructions of the chimney supplier.
- Before a hole is made in the chimney, the product should be test-mounted in order to correctly mark the position of the fireplace and the hole in the chimney. See fig. 1 for minimum dimensions.
- With a rear outlet, use a flue pipe bend with a sweep hatch to allow sweeping.

- Please note that it is extremely important for connections to have a degree of flexibility. This is to prevent any movement in the installation leading to the formation of cracks.
- For recommended chimney draught, see «2.0 Technical Data». For flue pipe dimension see “2.0 Technical Data”.
NB: The chimney’s diameter must be at least just as big as the flue pipe.

NB! The minimum recommended chimney length is 3.5 m from the flue pipe insert. If the draught is too strong, a flue pipe damper can be installed and used to reduce the draught

How wind and weather affect the stove

The performance of the stove can be affected considerably by the wind acting on the chimney at different strengths. It may therefore be necessary to adjust the air supply to ensure good combustion performance. It might also be a good idea to install a damper in the flue pipe so that the chimney draught can be regulated according to the strength of the wind.

Fog and mist can have a significant impact on the chimney draught and it might be necessary to use other combustion air settings to ensure good performance

The importance of the chimney

The chimney is the engine that drives the fireplace and it’s essential to have a good chimney in order for the fireplace to function properly.

The draught in the chimney creates a vacuum in the stove. The combustion air is also used for the airwash system that keeps the window clear of soot.

The draught in the chimney is caused by the difference in temperatures inside and outside the chimney. The greater the temperature difference, the better the draught in the chimney. It is therefore important to allow the chimney to reach operating temperature before adjusting the air vents to restrict combustion in the stove (a brickwork chimney takes longer to reach operating temperature than a steel chimney).

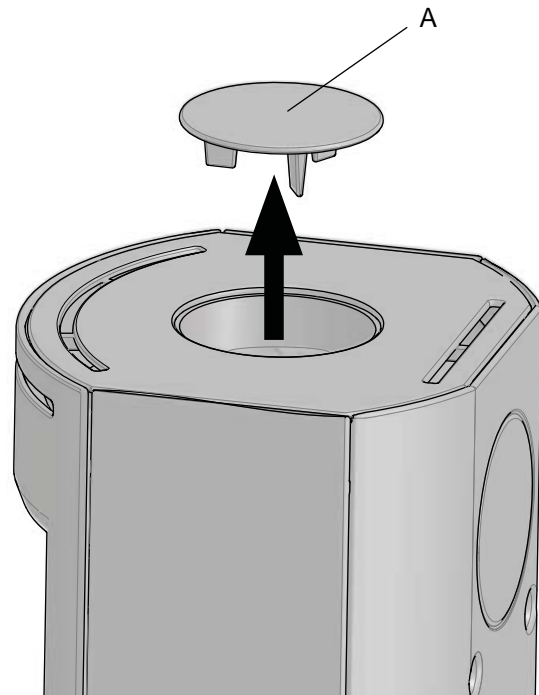
It is particularly important to reach operating temperature as quickly as possible on days on which the draught in the chimney is poor due to unfavourable wind and weather conditions. Make sure the fuel ignites as quickly as possible. Practical tip: Chop the wood into much smaller pieces and use an extra firelighter.

NB: If the stove has not been used for some considerable time, it is important to check the chimney pipe for blockage.

4.4 Fitting a flue pipe with a top outlet

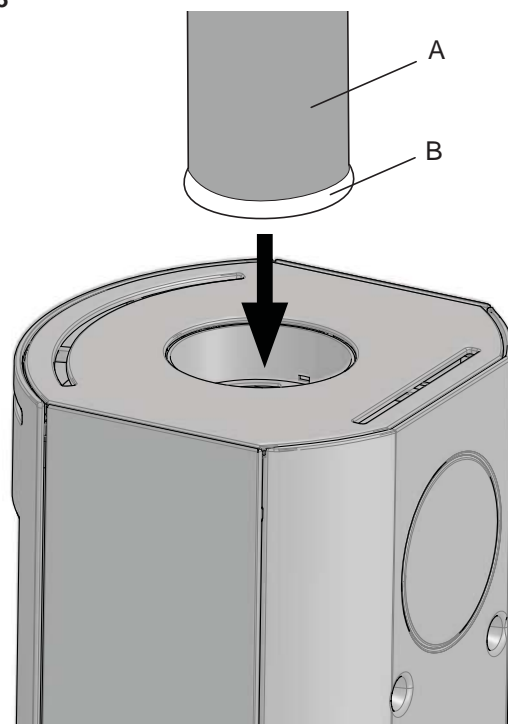
The product is supplied from the factory with the smoke outlet fitted for the top outlet.

Fig. 17



1. Remove the smoke-outlet cover (A).

Fig. 18



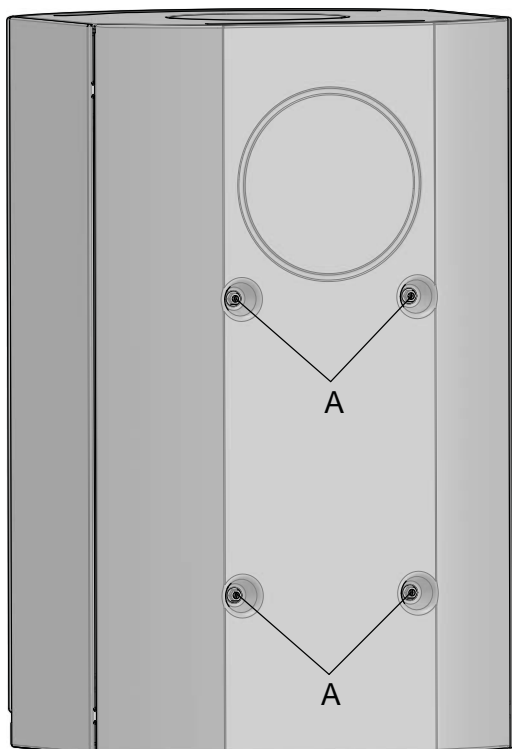
2. Place the gasket (B) on the edge of the flue pipe (A).
3. Feed the flue pipe through the top plate and position it in the top smoke outlet.

ENGLISH

4.5 Fitting a flue pipe with a rear outlet

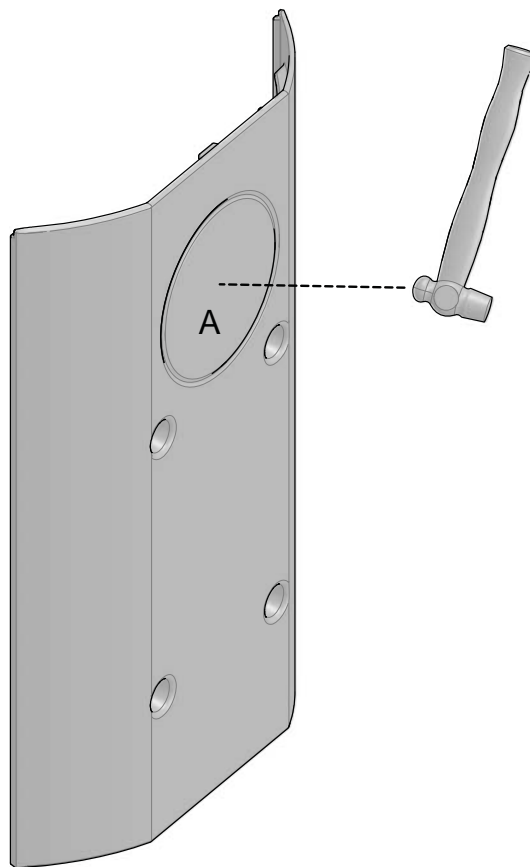
The product is supplied from the factory with the smoke outlet fitted for the top outlet. To use the rear outlet, proceed as follows

Fig. 19



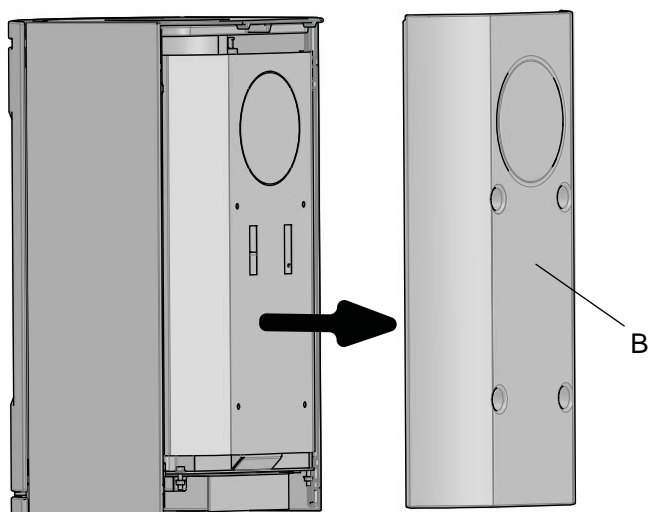
1. Remove the four screws (**A**).

Fig. 21



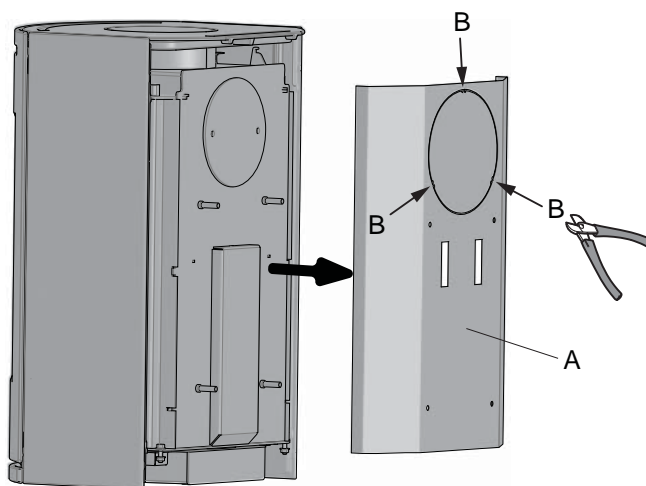
3. Knock out the cover (**A**) with a hammer.

Fig. 20



2. Unhook the rear plate (**B**).

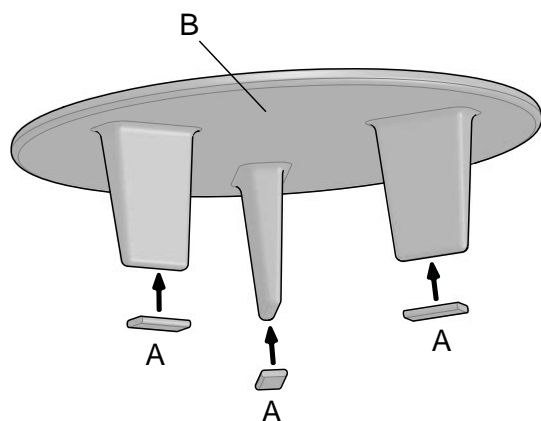
Fig. 22



4. Lift off the inner rear plate (**A**).

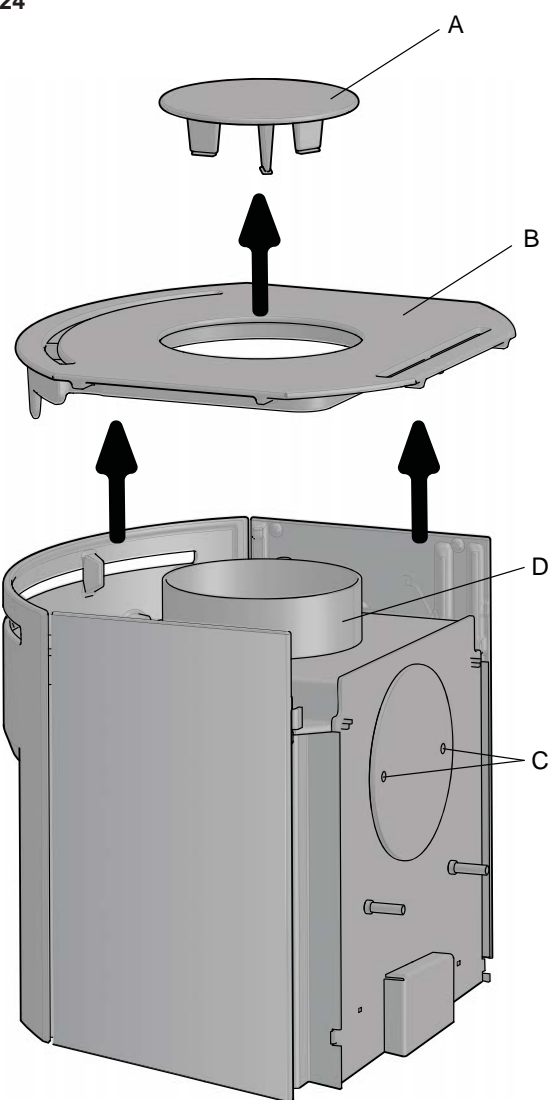
5. Then clip out the cover at the four points shown (**B**).

Fig. 23



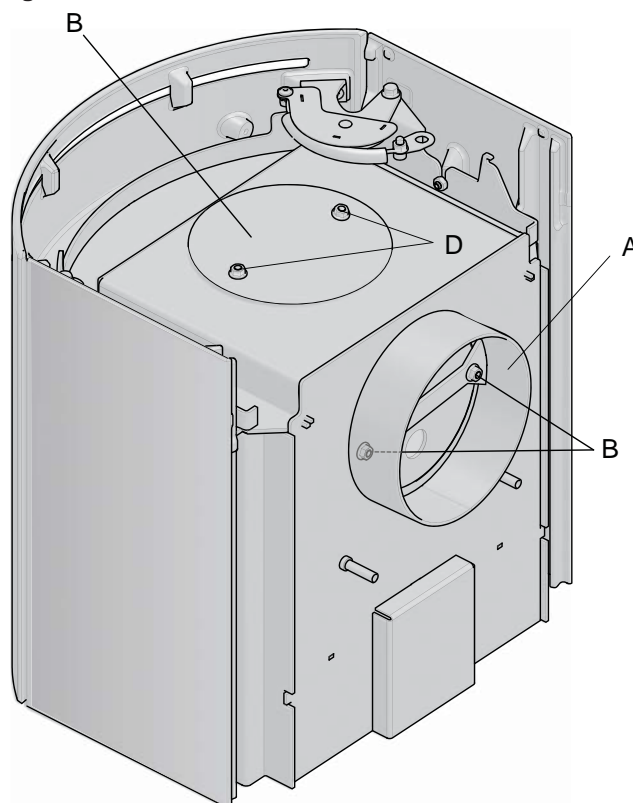
6. Cut the supplied gasket (A) into three lengths to fit the tabs. Place the gaskets on the ends on the three
7. tabs on the top cover (B).

Fig. 24



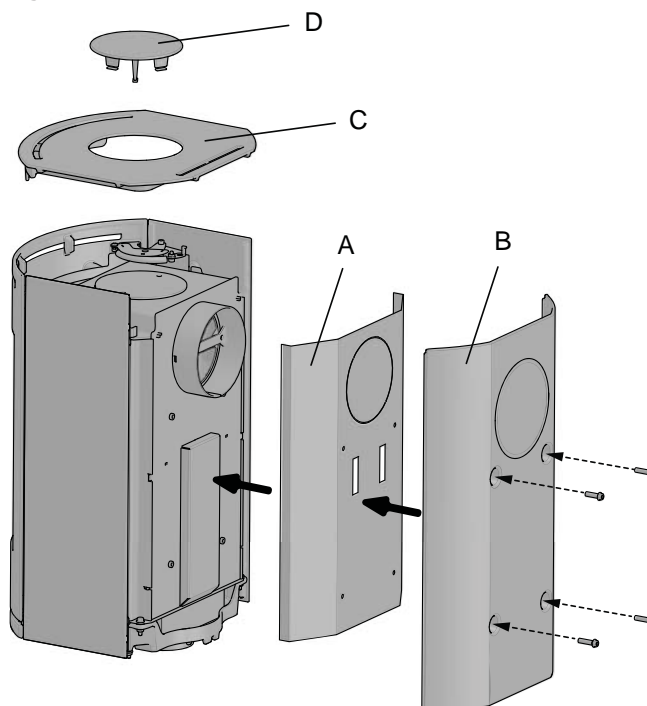
8. Lift off the top cover (A) and the top plate (B) and place them to one side.
9. Unscrew the screws in the rear smoke outlet cover (C) and remove the cover.
10. Unscrew the smoke outlet (D).

Fig. 25



11. Fit the smoke outlet (A) to the rear vent and screw it on with the same screws (B) that it was attached with.
12. Fit the smoke outlet cover (C) to the top outlet using the same screws (D) that it was attached with

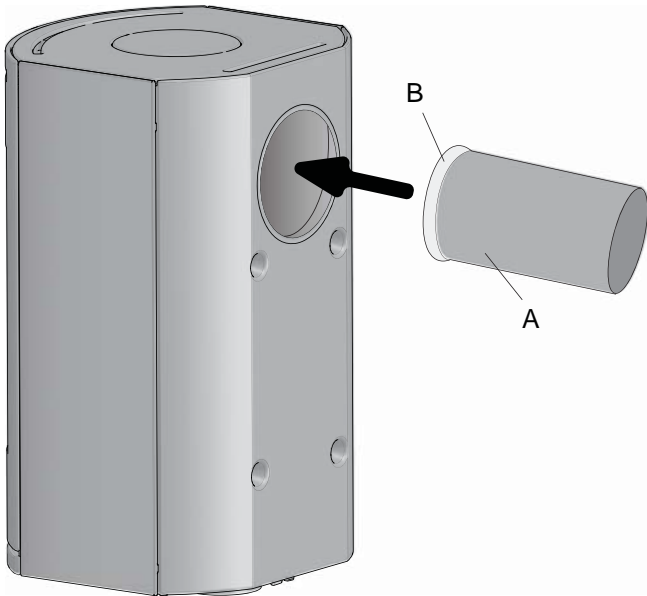
Fig. 26



13. Position the inner (A) and outer (B) rear plates on the burn chamber and screw them on using the same 4 screws they were attached with.
14. Fit the top plate (C) and top cover (D).

ENGLISH

Fig. 27

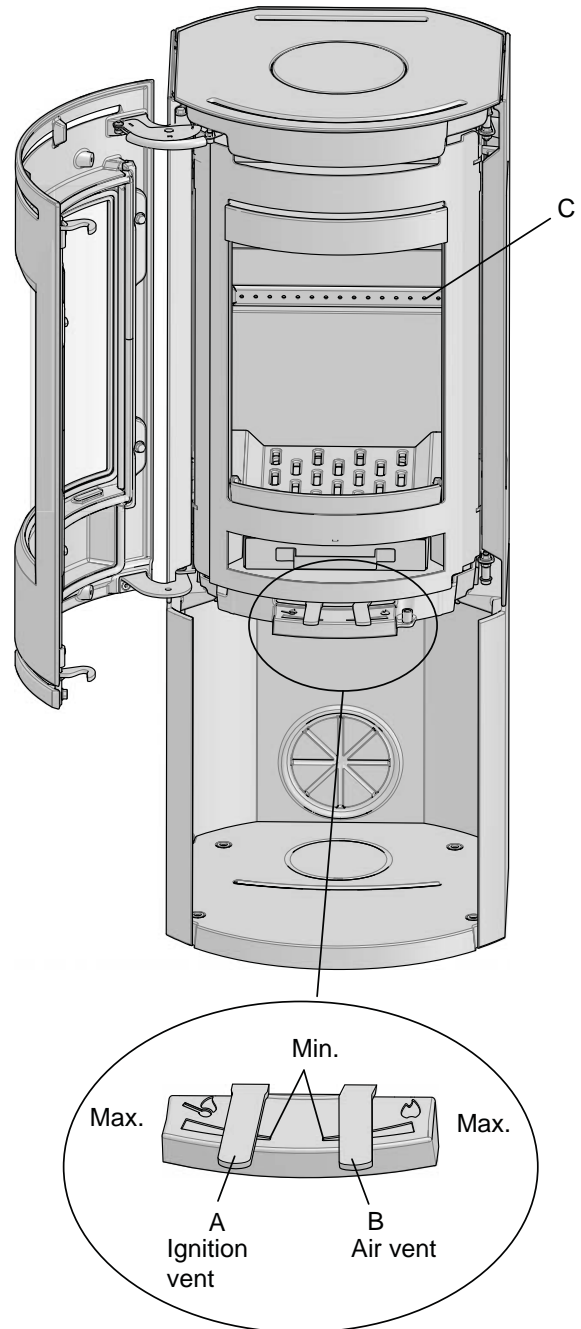


- 15. Place the gasket (B) on the edge of the flue pipe (A).
- 16. Insert the flue pipe into the rear outlet.

4.6 Performance check

Once the product has been assembled, always check the control handles. These should move easily and work in a satisfactory manner.

Fig. 28



The Jøtul F 130 is equipped with the following operating options:

Ignition vent (A)

- Pushed to the left: Maximum
- Pushed to the right: Minimum

Air vent (B)

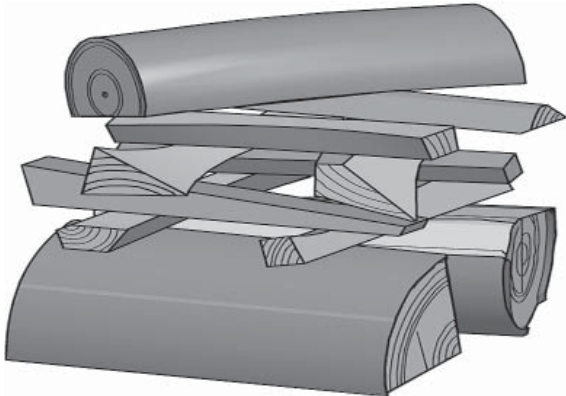
- Pushed to the left: Minimum
- Pushed to the right: Maximum

Stacking height (C) for logs (*the holes must not be covered*).

4.7 Use

- Push the ignition vent all the way to the left (**fig. 28**). Open the air vent (**fig. 28**) by pushing it to the right. (*Use a glove, for example, as the handle can become hot.*)

Fig. 29



- Place two medium sized logs in/out on each side of the base. N.B. In order to avoid sooting on the glass, it is important that the log is not placed adjacent to the glass on the product.
- Crumple some newspaper (or birch bark) between these and add some kindling wood in a criss-cross pattern on top and light the newspaper.
- Gradually increase the size of the fire, but the wood should not be stacked higher than the horizontal holes on the back burn plate. See **fig. 28 C**.
- Finally, place a medium-sized log on the top of the pile.
- Place 2 or 3 briquettes or kindling sticks under the top layer of kindling and light the fire.
- **NB: The maximum height of the pile of the wood should be just below the horizontal holes. The holes must not be covered.**
- Check that the afterburning (secondary combustion) starts. This is best indicated by yellow, flickering flames under the baffle.
- Then regulate the rate of combustion to the desired level of heating by adjusting the air vent (**fig. 28**).
- Close the stove door. It must always be closed when the fire is lit.

Adding firewood

Stoke the stove frequently but only add small amounts of fuel at a time. If the stove is filled too full, the heat created may cause extreme stress in the chimney. Add fuel to the fire in moderation. Avoid smouldering fires as this produces the most pollution. The fire is best when it is burning well and the smoke from the chimney is almost invisible.

4.7 Danger of overheating

The fireplace must never be used in a manner that causes overheating.

Overheating occurs when there is too much fuel and/or too much air so that too much heat develops. A sure sign of overheating is when parts of the fireplace glow red. If this happens, reduce the air vent opening immediately.

Seek professional advice if you suspect that the chimney is

not drawing properly (too much/too little draught). For further information, see «**4.4 Chimney and flue pipe**»

5.2 Ash removal

Jøtul F 130 has an ash pan which makes it easy to remove the ashes.

- Only remove ashes when the fireplace is cold.
- Push/pull the handle for the ash grate/ignition vent out and in several times so that the ashes fall down into the ash pan. Use something like a glove to grab the handle on the ash pan.
- Make sure that the ash pan doesn't fill up so high that it keeps ash from coming through the grate into the pan.

5.0 Daily use

Odours when using the fireplace for the first time

When the fireplace is used for the first time, it may emit an irritating gas which may smell slightly. This happens because the paint dries. The gas is not toxic but the room should be thoroughly ventilated. Let the fire burn with a high draught until all traces of the gas have disappeared and no smoke or odours can be detected.

Heating advice

NB: Logs that have been stored outdoors or in a cold room should be brought indoors 24 hours before use to bring them up to room temperature.

There are various ways of heating the stove but it is always important to be careful about what you put in the stove. See the section on “**Wood quality**”.

Wood quality

By quality wood we mean most well-known types of wood such as birch, spruce and pine.

The logs should be dried so that the moisture content is no more than 20%.

To achieve this, the logs should be cut during the late winter. They should be split and stacked in a way that ensures good ventilation. The wood stacks should be covered to protect the logs from rain. The logs should be brought indoors during early autumn and stacked/stored for use in the coming winter.

Be especially careful never to use the following materials as fuel in your fireplace:

- Household rubbish, plastic bags, etc.
- Painted or impregnated timber (which is extremely toxic).
- Laminated wooden planks.
- Driftwood

These may harm the product and are also pollutants.

NB: Never use petrol, paraffin, methylated spirit or similar liquids to light the fire. You may cause serious injury to yourself and damage to the product.

ENGLISH

Jøtul F 130 has a nominal heat output of **ca. 4,7 kW**. Use of wood, with nominal heat emission: Approx. 1,25 kg/h. Another important factor for proper fuel consumption is that the logs are the correct size. The size of the logs should be:

Kindling:

| | |
|------------------|------------|
| Length: | Max. 20 cm |
| Diameter: | 2 - 4 cm |
| Amount per fire: | 6 - 8 stk. |

Firewood (split logs):

| | |
|----------------------------|-------------------------------|
| Diameter: | Approx. 8 cm |
| Intervals for adding wood: | Approximately every 45minutes |
| Amount per load: | 1,25 kg (nominal heat output) |
| Size of the fire: | 2 pieces |
| Amount per load: | 1,26 kg |

Nominal heat output is achieved when the ignition vent is open approximately 30 % (**fig. 28**). Max. heat output is achieved when the air vent is open 100 %.

6.0 Maintenance

6.1 Cleaning the glass

The product is equipped with an air wash for the glass. Air is sucked in through the air vent on the top of the product and down along the inside of the glass.

However, some soot will always stick to the glass, but the quantity will depend on the local draught conditions and adjustment of the air vent. Most of the soot layer will normally be burned off when the air vent is opened all the way and a fire is burning briskly in the fireplace.

Good advice! For normal cleaning, moisten a paper towel with warm water and add some ash from the burn chamber. Rub it over the glass and then clean the glass with clean water. Dry well. If it is necessary to clean the glass more thoroughly we recommend using a glass cleaner (*follow the instructions on the bottle*).

6.2 Cleaning and soot removal

Soot deposits may build up on the internal surfaces of the fireplace during use. Soot is a good insulator and will therefore reduce the fireplace's heat output. If soot deposits accumulate when using the product, they can be easily removed by using a soot remover.

In order to prevent a water and tar layer from forming in the fireplace you should regularly allow the fire to burn hot in order to remove the layer. An annual internal cleaning is necessary to get the best heating effect from the product. It is a good idea to do this in connection with the sweeping of the chimney and flue pipes.

6.3 Sweeping of flue pipes to the chimney

On certain free-standing fireplaces the top plate can be lifted off and the pipe swept through the top.

Otherwise, flue pipes must be swept through the flue pipe sweeping hatch or through the product's door opening. Then, the baffle must be removed.

6.4 Inspection of the fireplace

Jøtul recommends that you personally inspect your fireplace carefully after sweeping/cleaning. Check all visible surfaces for cracks. Also check that all joints are sealed and that the gaskets are in the correct position. Any gaskets showing signs of wear or deformation must be replaced.

Thoroughly clean the gasket grooves, apply ceramic glue (available from your local Jøtul dealer), and press the gasket well into place. The joint will dry quickly.

6.5 Exterior maintenance

Painted products may change colour after several years usage. The surface should be cleaned and brushed free of any loose particles before new paint is applied.

Important! Never place anything on the top plate of the stove. This could cause permanent damage to the paint or enamel.

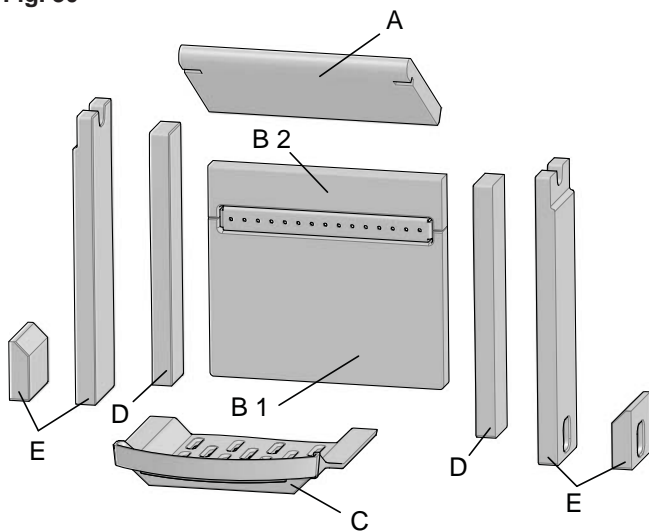
7.0 Service

Any unauthorised modifications to the product are prohibited!
Only original spare parts may be used!

7.1 Service / replacing parts of the burnchamber

Note! If you use tools, be aware that the vermiculite plates may be damaged by rough treatment.

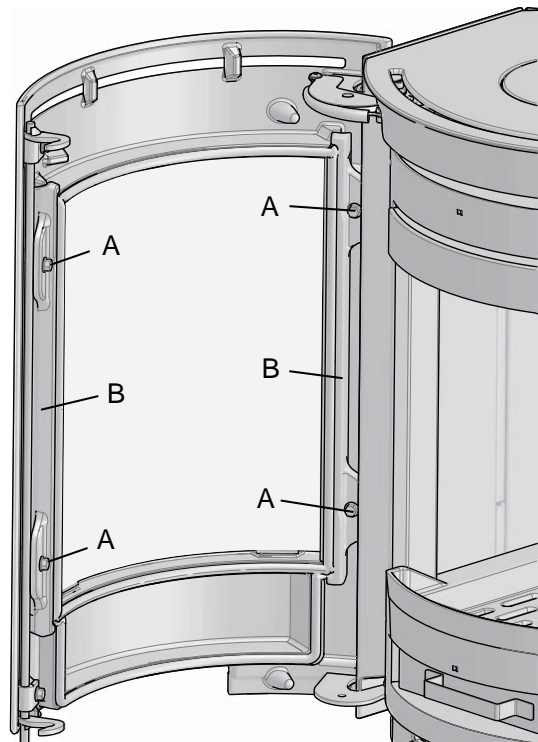
Fig. 30



1. **Baffle:** Lift the rear edge of the baffle (A) up and down and twist it out of the burn chamber.
2. Lift up **the ash grate (C)** and remove it from the burn chamber.
3. Remove **the side burn plate(s) (D)**.
4. Remove **the side burn plate(s) (E)** (*the tall side burn plates are for models without side windows, while the short ones are for models with side windows*).
5. Remove **the rear burn plate (B)**.

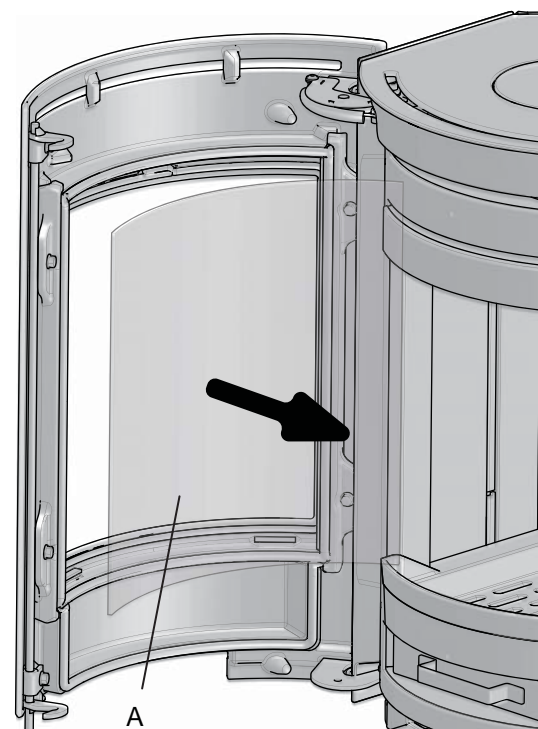
7.2 Replacing glass and gaskets in the door

Fig. 31



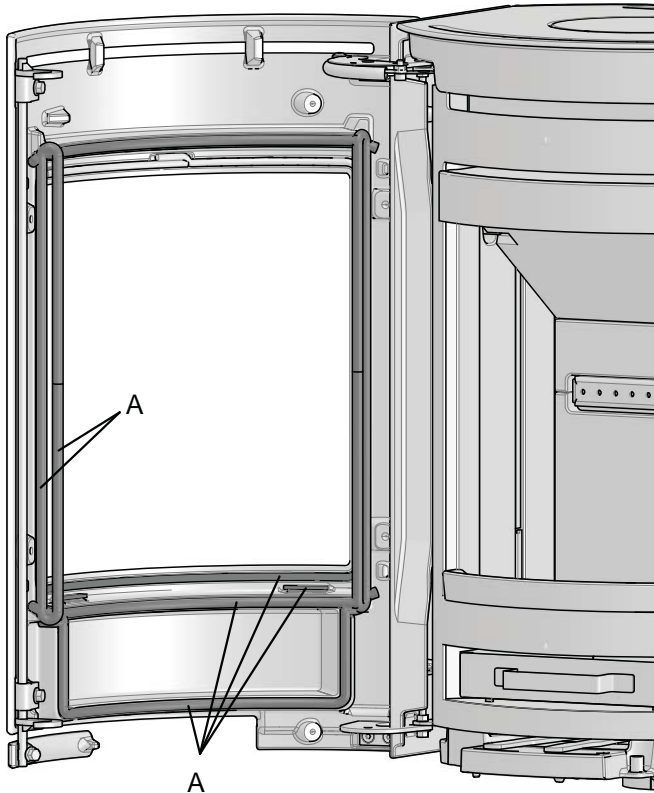
6. Remove the four screws (A) that attach the brackets (B) to the door.
7. Remove the brackets.

Fig. 32



8. Carefully lift the glass door (A) out.

Fig. 33



9. Remove the gaskets (**A**) from the door. Thoroughly clean the gasket groove and glue new gaskets into place.
10. Once all damaged gaskets have been replaced, refit the door glass (**fig. 32**) and the brackets (**fig. 31**).

8.0 Optional equipment

8.2 Outside air connection

Ø 100mm -

Art. no. 51012164

9.0 Operational problems - troubleshooting

Poor draught

1. Check the length of the chimney and that it complies with national laws and regulations. (See also «**2.0 Technical data**» and «**4.0 Installation**» (**Chimney and flue pipe**) in the installation manual for information.)
2. Make sure that the minimum cross section on the chimney is according to «**2.0 Technical data**» in the installation manual.
3. Make sure that there is not anything preventing the smoke gasses from escaping: branches, trees, etc.
4. Upon suspicion of excessive/poor draught in the chimney, seek professional help for measurement and adjustment.

The fire extinguishes after a while

1. Make sure that the firewood is sufficiently dry.
2. Find out whether there is negative pressure in the house, close mechanical fans and open a window close to the fireplace.
3. Check that the air vent is open.
4. Check that the flue outlet is not clogged by soot.

Unusual amount of soot accumulates on the glass

Some soot will always stick to the glass, but the quantity depends on:

1. Moisture in the fuel.
2. The local draught conditions.
3. Air vent opening.

Most of the soot will normally burn off when the air vent is opened all the way and a fire is burning briskly in the fireplace. (See «**6.1 Cleaning the glass - good advice**».)

10.0 Recycling

9.1 Recycling packaging

Your fireplace is delivered with the following packaging:

- A wooden pallet that can be cut up and burned in the fireplace.
- Cardboard packaging that should be taken to a local recycling facility.
- Plastic bags that should be taken to a local recycling facility.

9.2 Recycling the fireplace

The fireplace is made of:

- Metal that should be taken to a local recycling facility.
- Glass that should be disposed of as hazardous waste. The glass in the fireplace must not be placed in a regular source segregation container.
- Vermiculite burn plates that can be disposed of in regular waste containers.

11.0 Guarantee terms

1. Our guarantee covers:

Jøtul AS guarantees that the external cast-iron parts are free from defects in materials or manufacturing at the time of purchase. You may extend the guarantee on the external cast-iron parts to 25 years from the date of delivery by registering the product on jotul.com, and print out the extended guarantee card within three months of purchase. We recommend that the guarantee card be kept together with the receipt. Jøtul AS also guarantees that steel plate parts are free from defects in materials or manufacturing at the time of purchase for a period of 5 years from the date of delivery.

The guarantee applies on the condition that the stove has been installed by a qualified installer in accordance with applicable laws and regulations and Jøtul's installation and operating instructions. Repaired products and replacement items are guaranteed within the original guarantee period.

2. The guarantee does not cover:

- 2.1. Damage to consumables such as burn plates, fire grates, flue baffles, gaskets and similar as these deteriorate over time due to normal wear and tear.
- 2.2. Damage caused as a result of improper maintenance, overheating, use of unsuitable fuel (e.g. of unsuitable fuel are, but not limited to driftwood, impregnated wood, plank offcuts, chipboard) or too moist / wet wood.
- 2.3. Installation of optional extras for the purpose of rectifying local draught conditions, air supply or other circumstances beyond Jøtul's control.
- 2.4. Cases involving alterations / modifications to the fireplace without Jøtul's consent or the use of non-original parts.
- 2.5. Damage caused during storage at a distributor, transport from a distributor or during installation.
- 2.6. Products sold by unauthorized sellers in areas where Jøtul operates a selective distribution system.
- 2.7. Associated cost (e.g. but not limited to, transport, manpower, travel) or indirect damages.

Pellets stoves, glass, stone, concrete, enamel and paint finish (e.g. but not limited to chipping, cracking, bubbling or discolouration and crazing) are applicable to the national legislation governing the sale of consumer goods. This guarantee is valid for purchases made within the territory of the European Economic Area. All guarantee inquiries must be addressed to your local authorized Jøtul dealer within a reasonable amount of time, which shall not be later than 14 days from the date on which the fault or defect first became apparent. See list of importers and dealers on our web site www.jotul.com.

If Jøtul is unable to meet the obligations outlined in the above guarantee terms, Jøtul will offer a replacement product with a similar heating capacity free of charge.

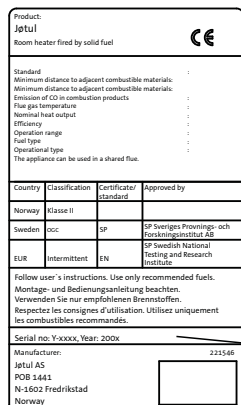
Jøtul reserve the right to decline of any replacement of parts or service in the event that the guarantee is not registered online. This guarantee does not affect any rights under applicable national legislation governing the sale of consumer goods. The national complaint right applies from the purchase date and only in exchange for a receipt / serial number.

FRANCAIS

Sommaire

| | | |
|------|---|----|
| 1.0 | Relations avec les autorités | 24 |
| 2.0 | Données techniques | 24 |
| 3.0 | Sécurité..... | 25 |
| 4.0 | Installation | 31 |
| 5.0 | Utilisation au quotidien..... | 40 |
| 6.0 | Entretien | 41 |
| 7.0 | Maintenance | 42 |
| 8.0 | Équipements disponibles en option | 43 |
| 9.0 | Dysfonctionnements - Causes et dépannages | 43 |
| 10.0 | Recyclage..... | 44 |
| 11.0 | Garantie..... | 44 |

Enregistrez votre insert sur jotul.com pour la garantie de 25 ans.



Tous nos produits sont livrés avec une étiquette reprenant le numéro de série et l'année. Reportez ce numéro à l'endroit indiqué dans les instructions d'installation.

N'oubliez pas de le mentionner à chaque fois que vous contactez votre revendeur ou Jøtul.

Serial no.

1.0 Relations avec les autorités

L'installation d'un poêle est soumise aux législations et réglementations nationales en vigueur. Les réglementations locales, y compris celles se rapportant aux normes nationales et européennes, doivent être respectées lors de l'installation du produit.

Veuillez lire attentivement le manuel d'installation et d'utilisation avant de procéder à l'installation. L'installation ne doit pas être utilisée avant d'avoir été inspectée et approuvée.

La plaque signalétique CE en matériau ininflammable se trouve à l'arrière de la base / à l'intérieur de la plaque avant du piédestal. Elle comporte l'identification et les informations techniques et réglementaires du produit.

2.0 Données techniques

| | |
|----------------------------|------------------|
| Matériau : | fonte / acier |
| Finition : | peint noir |
| Raccordement : | dessus, derrière |
| Diamètre de raccordement : | Ø150 mm |
| Amenée d'air frais : | Ø 100 mm |

Poids :

| | |
|-----------------------------|------------------------------------|
| Jøtul F 136 / Jøtul F 137 : | 120 kg |
| Jøtul F 134 / Jøtul F 135 : | 140 kg |
| Options : | Kit Amenée d'air frais (Ø 100 mm), |

Dimensions, distances : Voir **fig. 1**

Données techniques conformes à la norme EN 13240/ (DIN plus) et NS 3058

| | |
|--|--|
| Puissance nominale : | 4,7 kW |
| Débit massique des fumées : | 3,7 g/s |
| Tirage de cheminée, EN 13240 : | 12 Pa |
| Tirage de fonctionnement : | 16 Pa |
| Rendement : | 83 % à 5,4 kW |
| Émissions de CO (13 % O ₂) : | 0,10% / 0,10% |
| Émissions de CO (13 % O ₂) : | 1180 mg / Nm ³ (1248 mg/Nm ³) |
| NOx à 13 % O ₂ : | 148 mg Nm ³ (143 mg Nm ³) |
| OGC à 13 % O ₂ : | 79 mg/Nm ³ (93 mg/Nm ³) |
| Consommation d'air: | 3,1 litre / sec. |
| Température de cheminée, EN 13240 : | 260 °C |
| Poussières : | <5 mg/Nm ³ à 13 %O ₂ |
| Émissions de particules NS 3059 : | 1,89 g / kg |

| | |
|---------------------------------------|--------------------|
| Combustible : | Bois exclusivement |
| Longueur maximale des bûches : | 20 cm |
| Consommation horaire : | 1,52 kg/h |
| Quantité de bois d'allumage max. : | 1,54 kg |
| Quantité de bois d'allumage nominal : | 1,25 kg |
| Fonctionnement : | Intermittent |

Par fonctionnement intermittent, on entend une utilisation normale du poêle dans laquelle on ajoute du bois lorsqu'il ne reste plus que des braises.

Nous vous recommandons de vous inspirer des règles du D.T.U. 24.2.2. Vous devez lire entièrement le présent manuel avant de commencer l'installation et le conserver pendant toute la durée de l'utilisation du poêle.

3.0 Sécurité

Remarque : Afin d'assurer un niveau de rendement et de sécurité optimal, l'installation d'un poêle Jøtul doit être confiée à un installateur qualifié (voir www.jotul.com pour la liste complète de nos revendeurs).

Toute modification de l'appareil risque de compromettre le bon fonctionnement de l'appareil et de ses éléments de sécurité. Ceci s'applique également à l'installation d'accessoires ou d'équipements en option qui ne sont pas fournis par Jøtul. Ce risque peut par ailleurs survenir dans le cas où des pièces ou éléments essentiels pour le bon fonctionnement et la sécurité du poêle, ont été désassemblés ou retirés.

Dans tous ces cas, le fabricant ne pourra être tenu responsable pour le produit et le droit de recours à la garantie sera rendu nul et sans effet.

3.1 Mesures de prévention anti-incendie

Toute utilisation du poêle comporte un certain degré de risques. C'est pourquoi, il est indispensable de toujours respecter les consignes de sécurité suivantes :

- Les distances minimales à respecter en utilisant le poêle ressortent de la figure 1. La distance avec les matériaux inflammables et ininflammables spécifiée s'applique à ce poêle. Le poêle doit être installé avec un conduit de raccordement normalisé CE. La distance minimum entre les tuyaux et les matériaux combustibles doit aussi être respectée.
- Assurez-vous que les meubles et autres matériaux inflammables ne sont pas trop rapprochés du poêle. Pas de matériaux inflammables dans un rayon de 900 mm du poêle.
- Laissez le feu s'éteindre de lui-même. Ne tentez jamais d'éteindre le feu avec de l'eau.
- Le poêle devient très chaud lorsqu'il est allumé et peut provoquer des brûlures à la personne qui le touche.
- Attendez que le poêle soit froid pour retirer les cendres. Les cendres pouvant encore contenir des braises, il convient de les recueillir dans un réceptacle ininflammable.
- Il convient d'épandre les cendres à l'extérieur ou de les vider dans un endroit ne présentant aucun risque d'incendie.

En cas de feu de cheminée:

- Fermer l'ensemble des trappes et des entrées d'air.
- Maintenir la porte de la chambre de combustion fermée.
- Vérifier toute présence de fumée dans le grenier et dans la cave.
- Contacter le service de sécurité incendie.
- Suite à un feu de cheminée, le poêle et la cheminée doivent être contrôlés par un spécialiste avant toute nouvelle utilisation afin de s'assurer que l'installation est opérationnelle.

3.2 Le sol

Il convient de s'assurer que le socle présente des dimensions adaptées au poêle. Voir «**2.0 Données techniques**» pour les normes de poids. Il est recommandé d'enlever le revêtement de sol si celui-ci n'est pas fixé (parquet flottant) pendant l'installation.

Protection d'un sol en bois

Une protection du sol est intégrée à l'appareil et celui-ci peut dès lors être posé directement sur un plancher.

Jøtul recommande de retirer tout revêtement de sol combustible (linoléum, moquette, etc.) sur la surface couverte par la plaque de sol.

Exigences relatives à la protection d'un revêtement de sol combustible à l'avant du poêle

La plaque avant doit être conforme aux législations et aux réglementations nationales en vigueur.

Contactez les autorités locales compétentes (construction) pour connaître les restrictions et les exigences liées à l'installation.

3.2 Les murs

Distance recommandée séparant le poêle d'un matériau combustible

L'utilisation d'un poêle avec un conduit non isolé est autorisée, à condition que les distances séparant le poêle des matériaux combustibles du mur soient conformes à celles de la fig. 1.

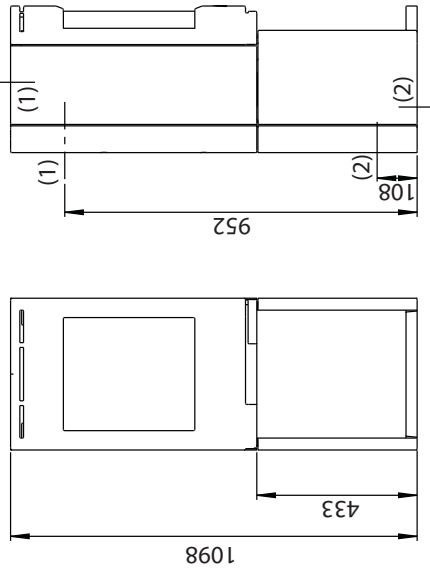
Assurez-vous que les meubles et autres matériaux inflammables ne sont pas trop rapprochés du poêle. Pas de matériaux inflammables dans un rayon de 900 mm du poêle.

Remarque : Assurez-vous que les meubles et autres articles ménagers ne soient pas trop près et risquent d'être séchés par le poêle.

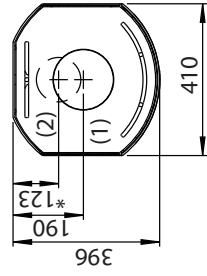
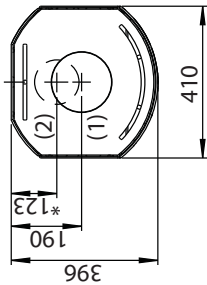
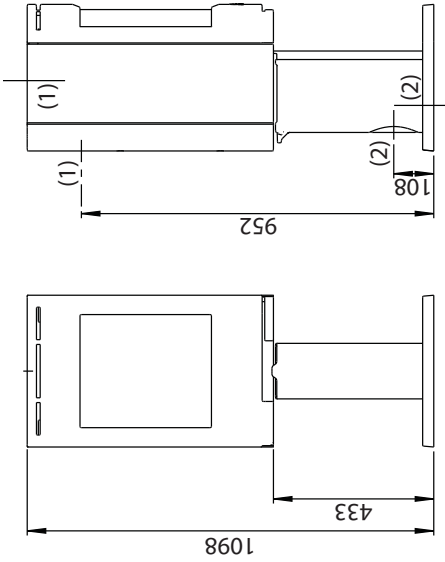
Jøtul F 130 Series

Fig. 1a

Jøtul F 134 (avec socle / sans vitres latérales)

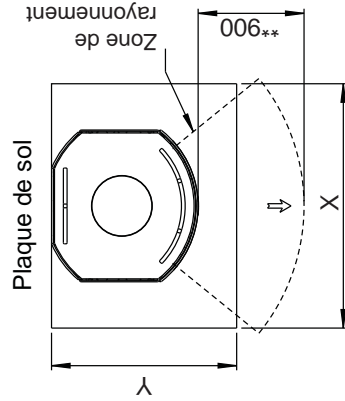


Jøtul F 136 (avec piédestal / sans vitres latérales)



(1) - Axe du conduit
(2) - Axe air combustion par le sol

Dimensions minimales de la plaque de sol
X/Y = Conformes aux lois et règlements en vigueur.



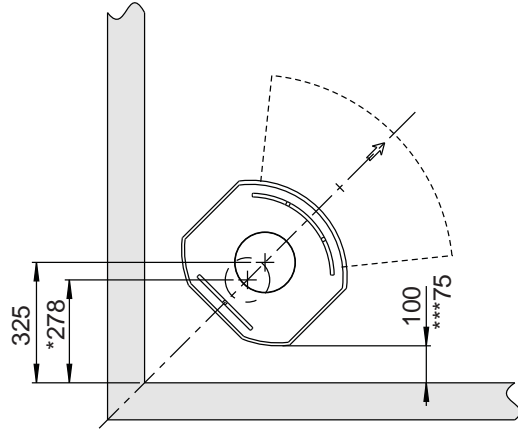
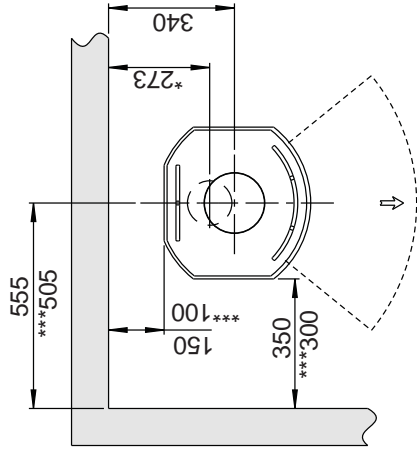
* Aménagé d'air frais

** Distance minimale par rapport aux meubles/ matériaux combustibles

*** Remarque : Les distances minimales s'entendent avec une cheminée semi-isolée ou un conduit de raccordement isolé jusque contre le produit.

Mur inflammable

Distance minimale par rapport à un mur inflammable

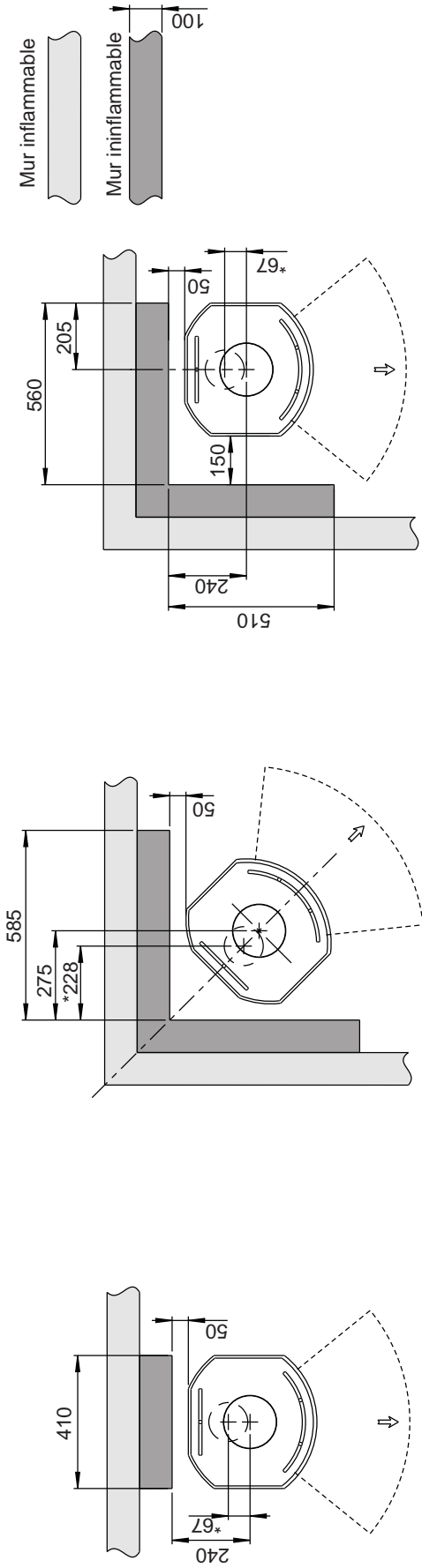


Jøtul F 130 Series

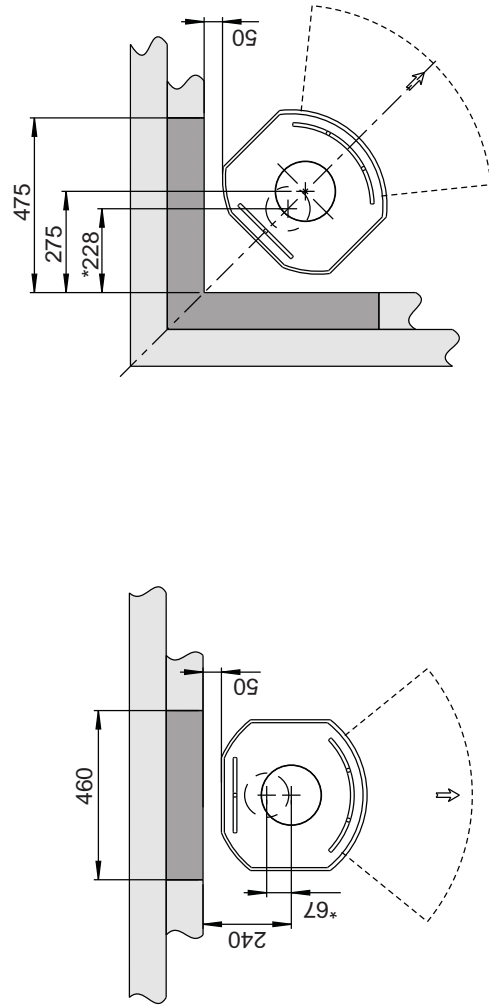
Fig. 1b

Jøtul F 134 / F 136 - distance minimale par rapport au mur en matériau combustible protégé par un pare-feu

Extern



Intégré



* Amenée d'air frais

900189-P00

Jøtul F 130 Series

Fig. 1c

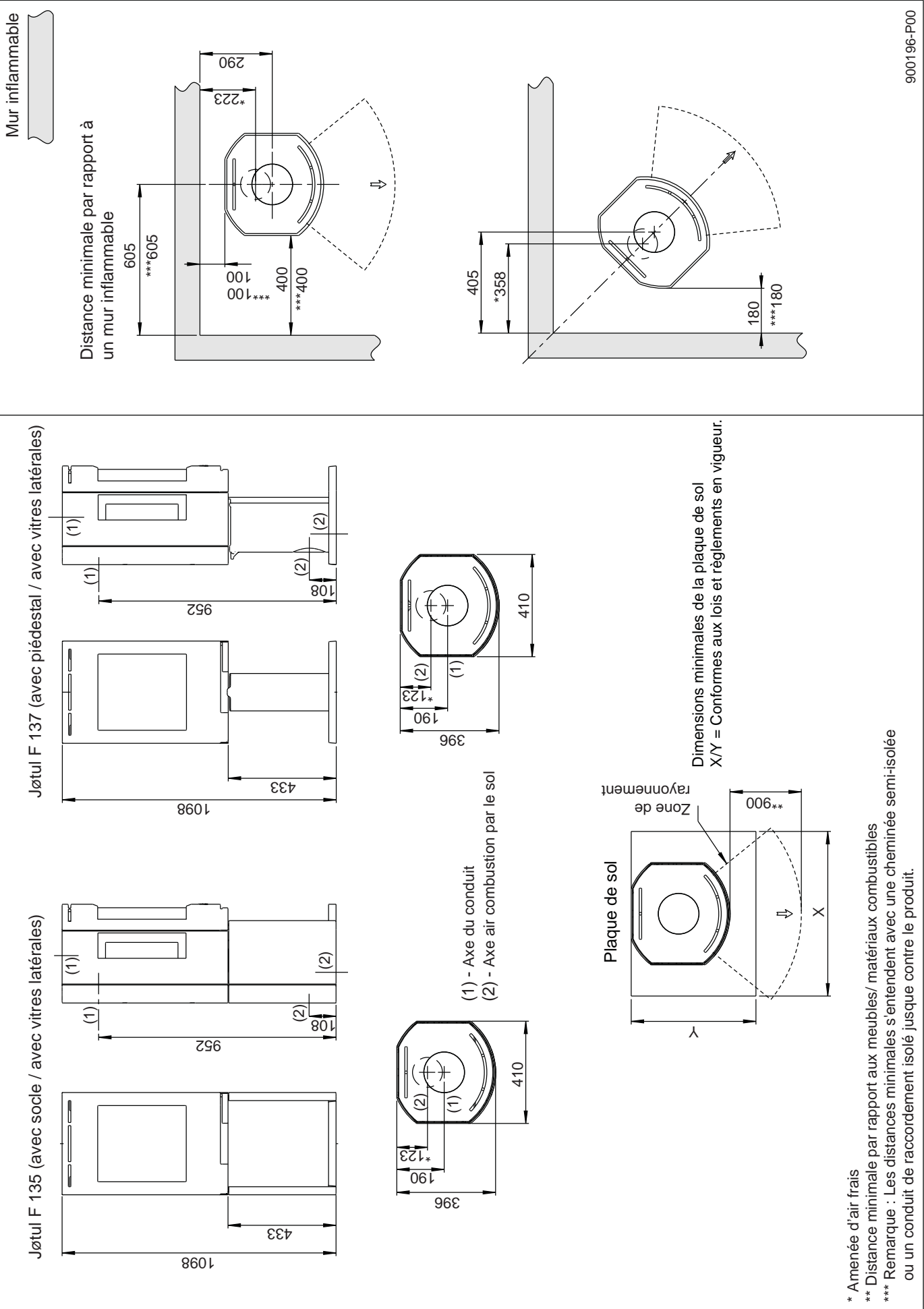
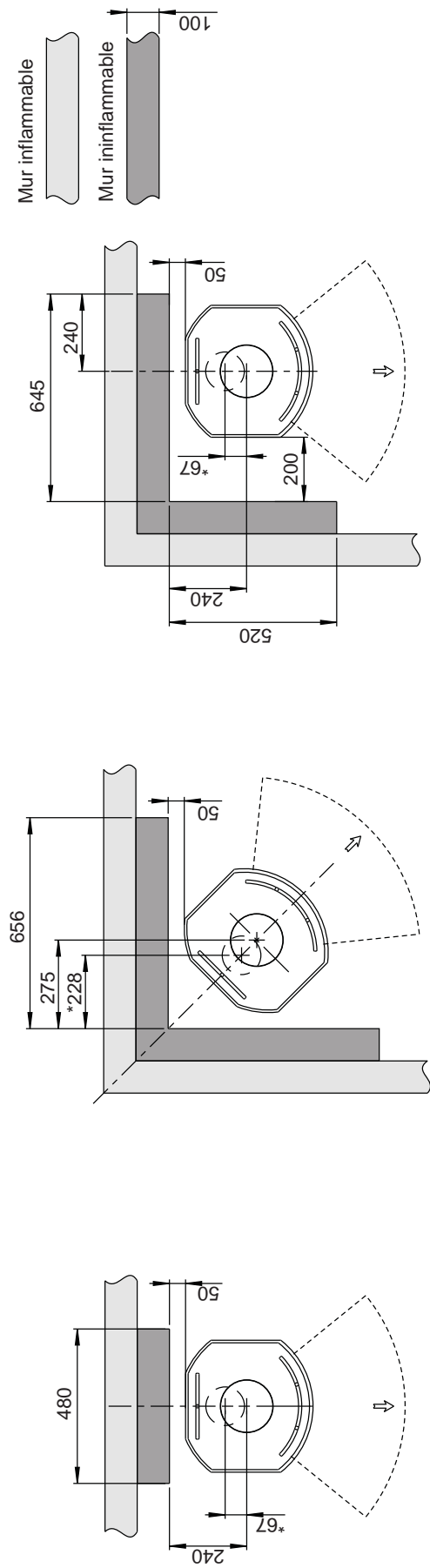


Fig. 1d

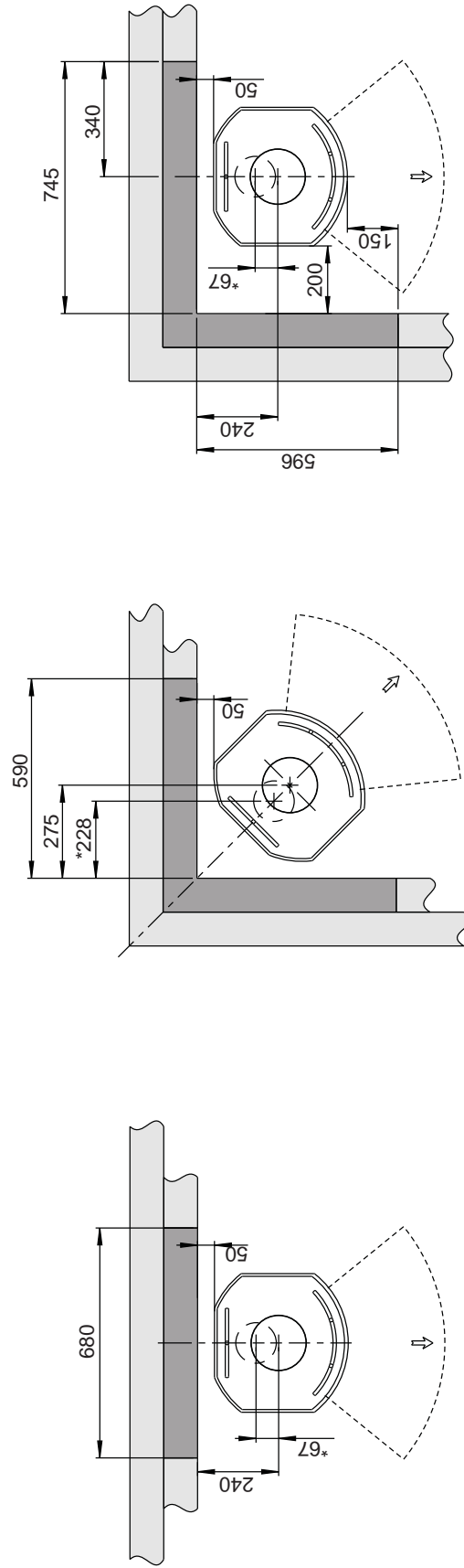
Jøtul F 130 Series

Jøtul F 135 / F 137 - distance minimale par rapport au mur en matériau combustible protégé par un pare-feu

Extern



Intégré



* Amenée d'air frais

900196-P00

FRANCAIS

Amenée d'air frais

L'air utilisé pour la combustion doit être renouvelé en permanence. Ceci est particulièrement important dans une maison avec ventilation mécanique. Plusieurs méthodes sont possibles. Le plus important est de faire arriver l'air dans la pièce où le poêle est installé. Le clapet de mur extérieur doit être placé le plus près possible du poêle et doit pouvoir se fermer lorsque le poêle n'est pas utilisé.

Il convient de se conformer à la réglementation locale et nationale du bâtiment concernant la prise d'air extérieur.

S'assurer régulièrement que les entrées d'air de ventilation de la maison ne sont pas obstruées.

Système de combustion fermé

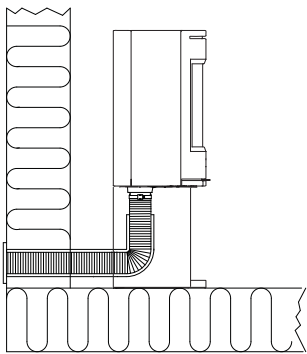
Il convient d'utiliser le système de combustion fermé du poêle dans les habitations de construction récente, étanches à l'air. L'air extérieur de combustion est raccordé par l'intermédiaire d'un tuyau d'aération via le mur ou le sol.

Arrivée d'air

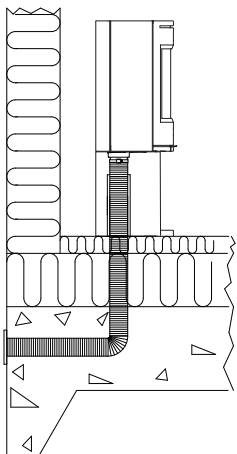
Le volume d'air de combustion des produits Jøtul est d'environ 20 à 40 m³/h. L'arrivée d'air frais peut être raccordée directement au poêle Jøtul F 130 Advance par :

- la base
- par un tuyau flexible depuis l'extérieur ou la cheminée (seulement si celle-ci dispose d'une conduite propre pour l'air frais) et vers le raccord d'air frais de l'appareil.

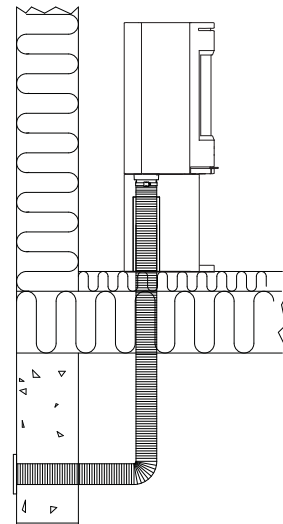
Fig. 2A, par un mur



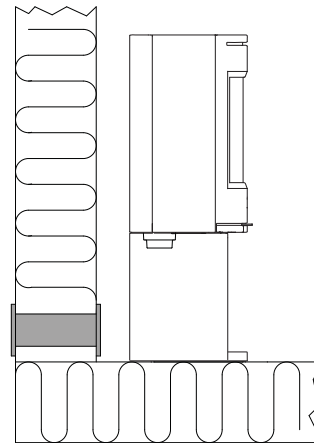
Figur 2B, par le sol et la plaque de sol



Figur 2C, par le sol et la cave



Figur 2D, indirectement par un mur



4.0 Installation

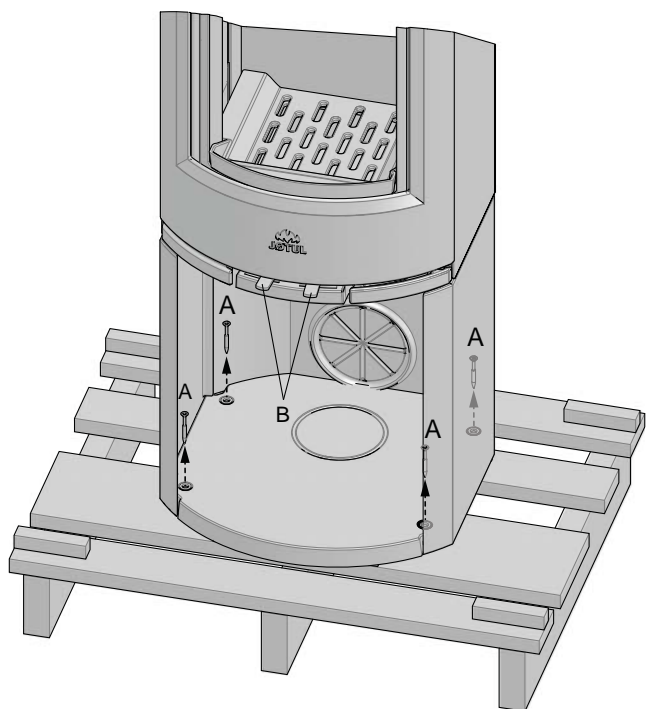
- Avant l'installation, vérifiez que le produit ne présente aucun dommage visible.
- Le produit est lourd ! Prévoyez de l'aide pour sa mise en place et son installation.
- **Assurez-vous qu'aucun meuble ou autre objet ménager ne se trouve trop près du poêle, auquel cas celui-ci pourrait les sécher.**

4.1 Avant l'installation

- Lors du déballage de l'appareil retirer la tiroir à cendres et ce qu'il contient, la grille foyère, les plaques de doublage, les déflecteurs, le déflecteur supplémentaire et le cache passage d'air de combustion.

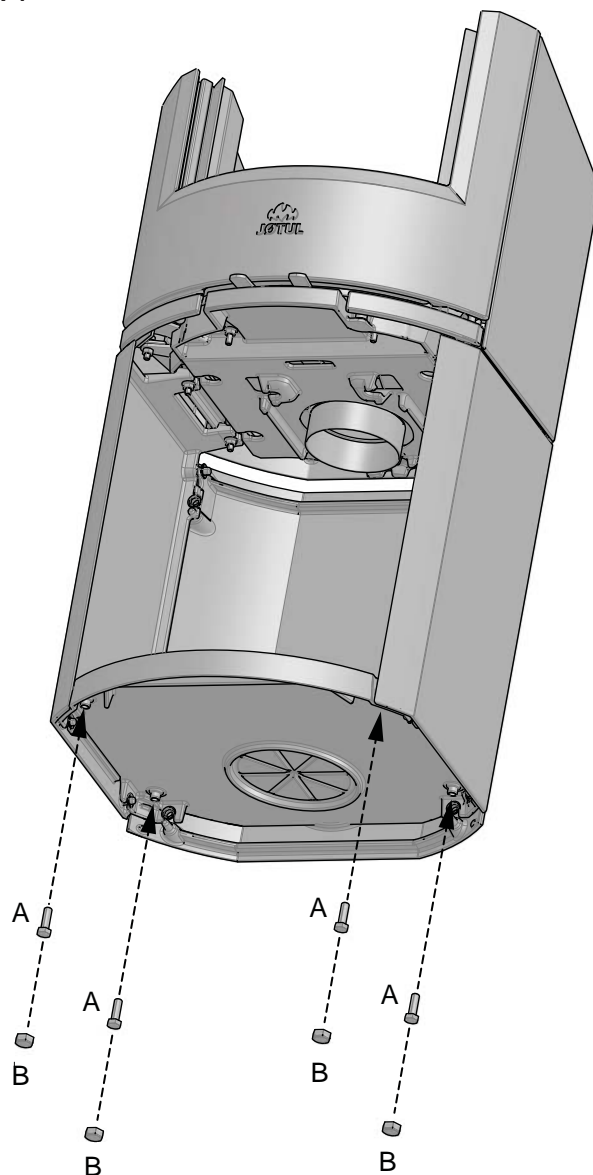
4.1 Préparations pour Jøtul F 134 / F 135 avec socle

Fig. 3



1. Retirer les quatre vis de transport (A) qui fixent le poêle à la palette en bois.
2. Laisser le poêle en place sur la palette de transport.
3. Retirer les gants du cendrier.
4. Retirer le déflecteur, la plaque de fond intérieure et le sac de vis du foyer.
5. Vérifier que les registres de commande (B) se déplacent facilement.

Fig. 4

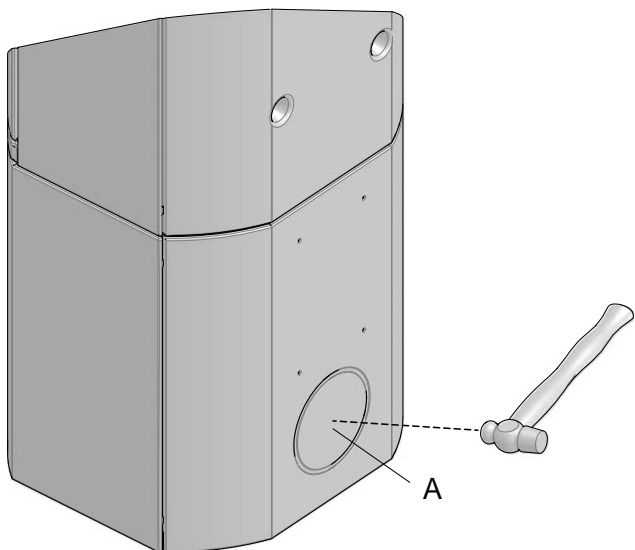


6. Installer les vis de réglage de la hauteur (A) avec des bouchons en plastique (B) placés dans le sachet de vis. **REMARQUE** : Si le poêle repose sur une plaque de sol en verre (option), il doit être surélevé d'environ 8 mm par rapport au sol de manière à pouvoir insérer la plaque sous le bord avant du socle.
7. Retirer le poêle de la palette.
8. Effectuer une première installation du poêle, en utilisant les 4 vis de réglage de la hauteur pour vérifier qu'il est bien à l'horizontale.
9. Effectuer un marquage sur le mur s'il est prévu d'avoir des aérations arrière pour le conduit de fumée et une amenée d'air frais extérieur. **REMARQUE** : Prendre en compte la hauteur de la plaque de sol.

FRANCAIS

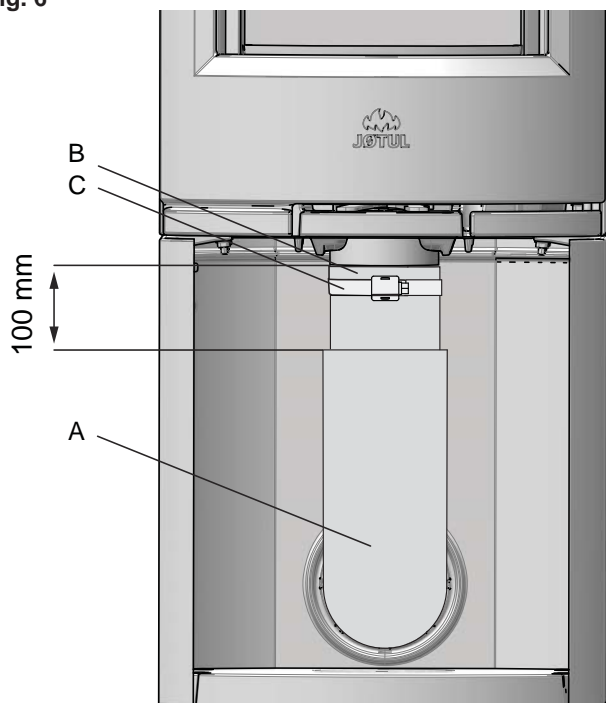
Raccordement de l'air extérieur à travers l'aération arrière

Fig. 5



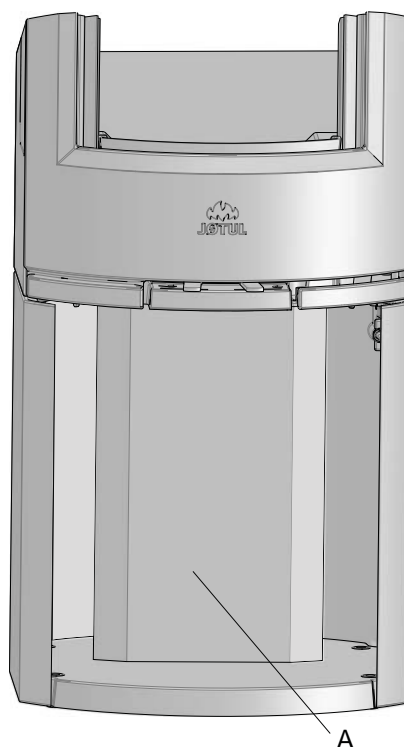
1. Si l'air extérieur est fourni en reliant le conduit flexible (Ø 100 mm) au raccord d'air frais sous le foyer, retirer d'abord les caches amovibles (A).

Fig. 6



2. Pour fixer le flexible d'air extérieur Ø 100 mm (A) (fixation facultative - élément n°51012164), consulter le manuel fourni avec le kit d'air extérieur. Fixer le tuyau au connecteur d'air extérieur (B) à l'aide d'un collier de serrage (C). Fixer l'isolant jusqu'à env. 100 mm au-dessous du poêle.

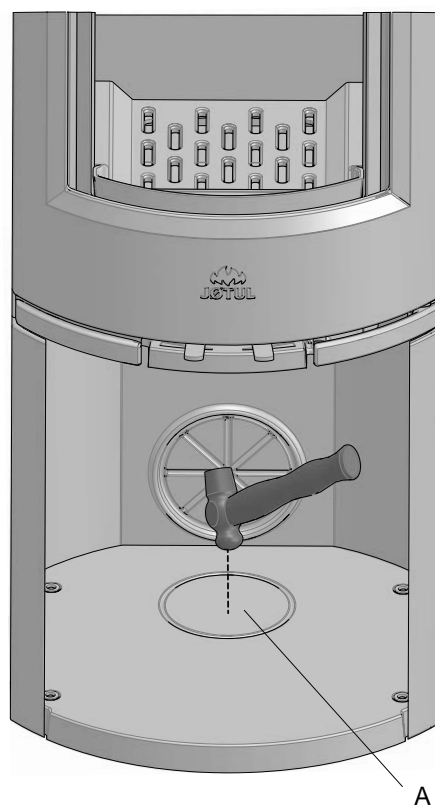
Fig. 7



3. Fixer la plaque fournie (A) pour cacher le flexible d'air extérieur.

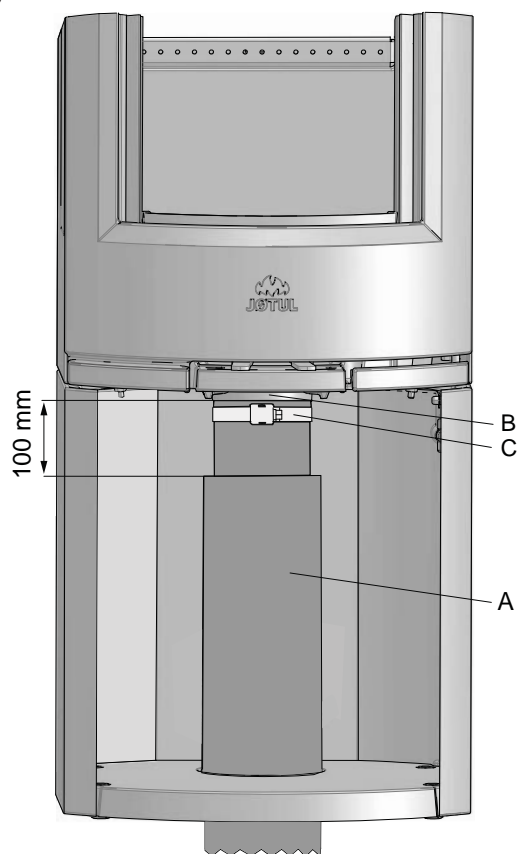
Raccordement de l'air extérieur à travers le socle

Fig. 8



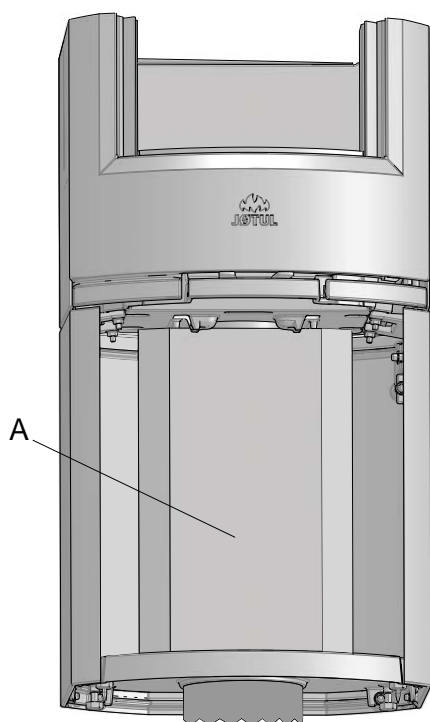
4. Défoncer le cache (A) avec un marteau.
5. Placer le poêle à l'emplacement voulu. Voir **fig. 1** pour l'emplacement correct en ce qui concerne les distances de sécurité.

Fig. 9



6. Pour fixer le flexible d'air extérieur Ø 100 mm (A) (fixation facultative - élément n°51012164), consulter le manuel fourni avec le kit d'air extérieur. Fixer le tuyau au connecteur d'air extérieur (B) à l'aide d'un collier de serrage (C). Fixer l'isolant jusqu'à env. 100 mm au-dessous du poêle.

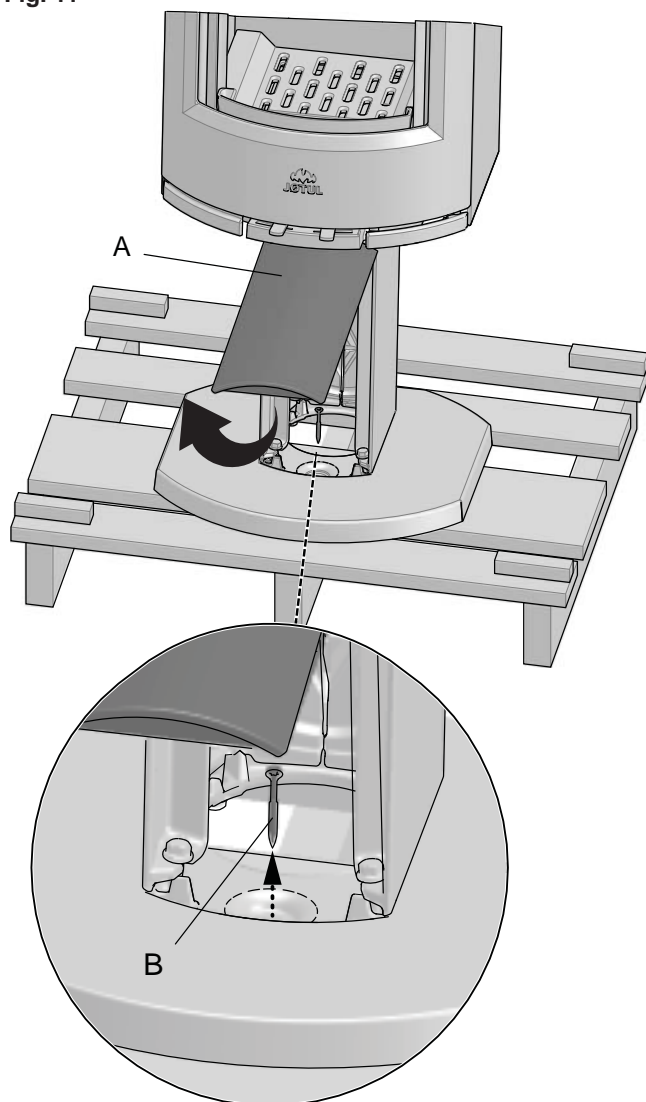
Fig. 10



7. Fixer la plaque fournie (A) pour cacher le flexible d'air extérieur.

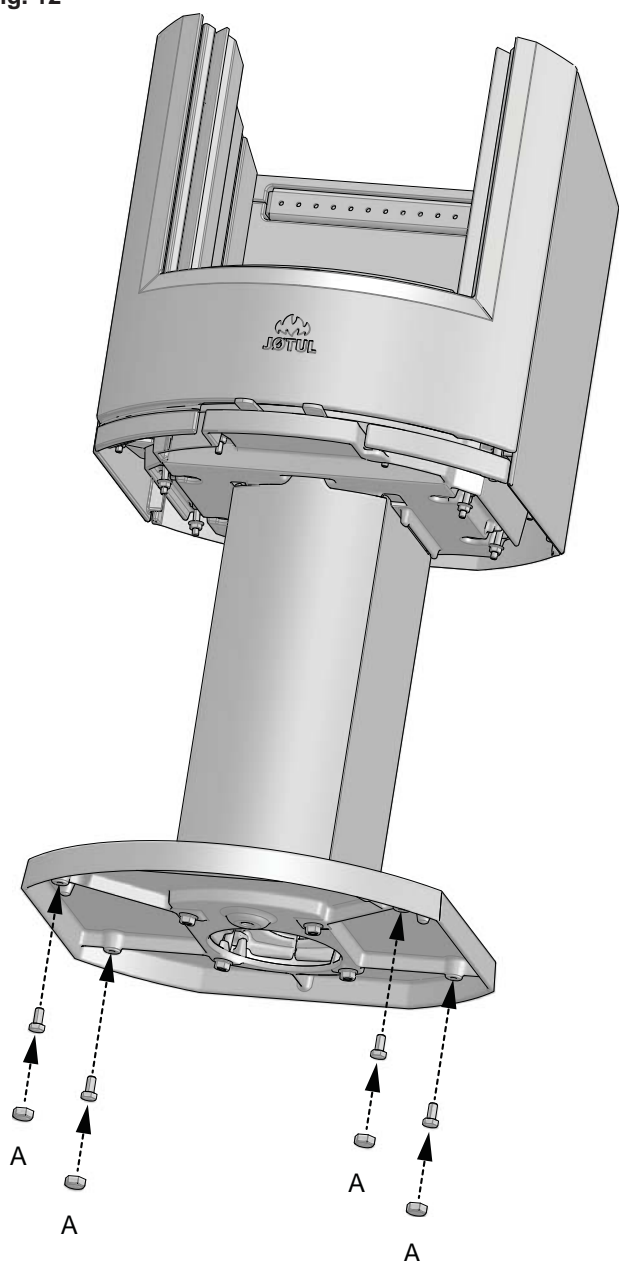
4.2 Préparations pour Jøtul F 136 / F 137 avec piédestal

Fig. 11



8. Retirer le cache avant (A) du piédestal en le soulevant vers le haut et vers l'avant. Mettre le cache de côté.
9. Dévisser la vis de transport (B) puis la retirer.
10. Remonter le cache avant (A).
11. Retirer le poêle de la palette.

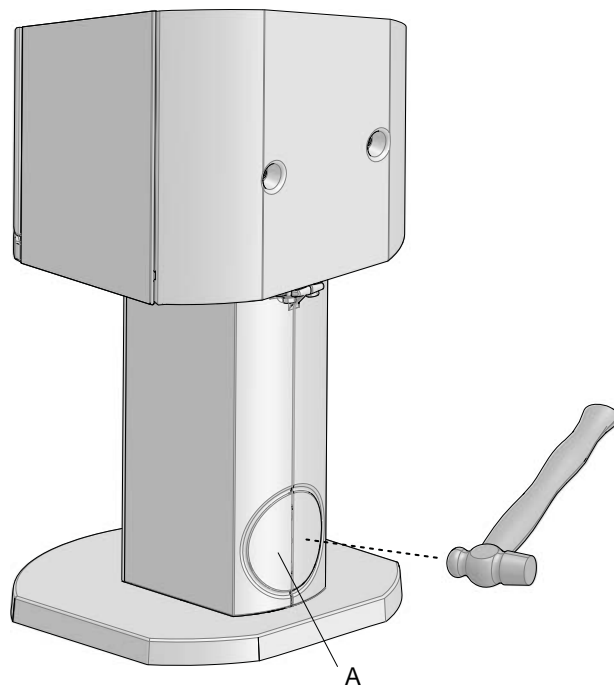
Fig. 12



1. Installer les vis de réglage de la hauteur (A) avec des bouchons en plastique (B) placés dans le sachet de vis. **REMARQUE** : Si le poêle repose sur une plaque de sol en verre (option), il doit être surélevé d'environ 8 mm par rapport au sol de manière à pouvoir insérer la plaque sous le bord avant du piédestal.

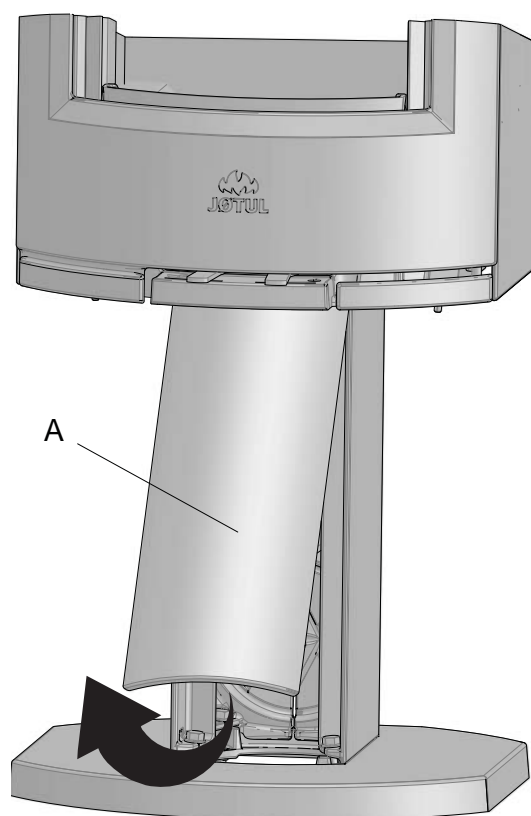
Raccordement de l'air extérieur à travers l'aération arrière du piédestal

Fig. 13



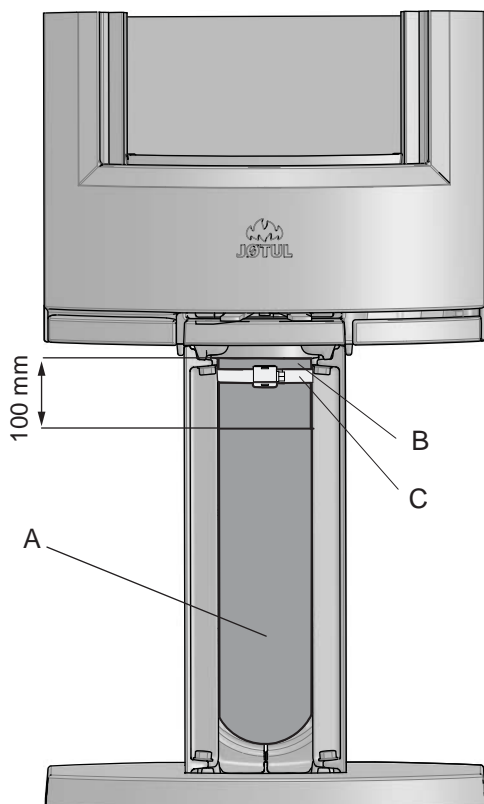
2. Défoncer le cache arrière (A) du piédestal à l'aide d'un marteau.
3. Placer le poêle à l'emplacement voulu. Voir **fig. 1** pour l'emplacement correct en ce qui concerne les distances de sécurité.

Fig. 14



4. Retirer le cache avant (A) du piédestal en le soulevant vers le haut et vers l'avant. Mettre le cache de côté.

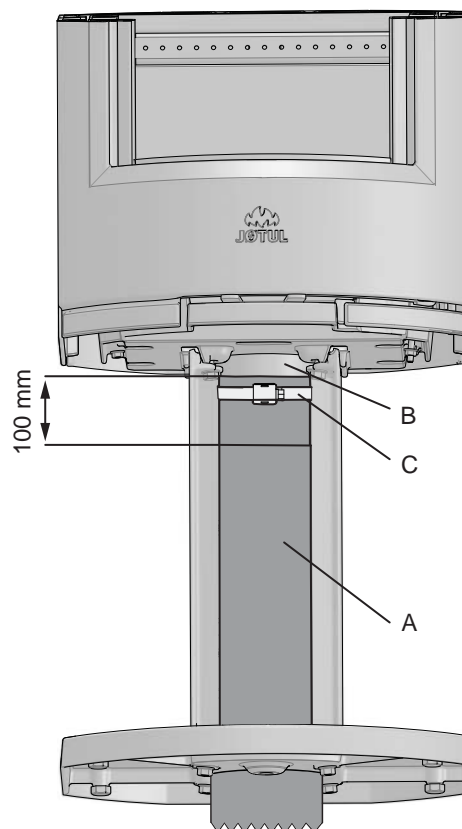
Fig. 15



5. Pour fixer le flexible d'air extérieur Ø 100 mm (A) (fixation facultative - élément n°51012164), consulter le manuel fourni avec le kit d'air extérieur. Fixer le tuyau au connecteur d'air extérieur (B) à l'aide d'un collier de serrage (C). Fixer l'isolant jusqu'à env. 100 mm au-dessous du poêle.
6. Remonter le cache avant du piédestal.

Raccordement de l'air extérieur à travers le piédestal

Fig. 16



7. Retirer le cache (A) situé à l'avant du piédestal en le soulevant vers le haut et vers l'avant. Mettre le cache de côté (voir fig. 14)
8. Pour fixer le flexible d'air extérieur Ø 100 mm (A) (fixation facultative - élément n°51012164), consulter le manuel fourni avec le kit d'air extérieur. Fixer le tuyau au connecteur d'air extérieur (B) à l'aide d'un collier de serrage (C). Fixer l'isolant jusqu'à env. 100 mm au-dessous du poêle.
9. Remonter le cache avant du piédestal.

4.7 Cheminées et conduits

- Le poêle peut être branché à une cheminée et à un conduit approuvés pour les poêles à combustible solide, avec les températures de fumées spécifiées dans la section «**2.0 Données techniques**».
- La section minimale de la cheminée doit correspondre à celle du conduit. Pour calculer la section adéquate de la cheminée, voir la section «**2.0 Données techniques**».
- La distance avec les matériaux inflammables et ininflammables spécifiée s'applique à ce poêle.
- La distance minimum entre les tuyaux et les matériaux combustibles doit aussi être respectée.
- Le raccordement à la cheminée doit être réalisé conformément aux **D.T.U. 24.1** ; ainsi qu'aux instructions d'installation du fournisseur de la cheminée.
- Procéder à un montage d'essai du poêle avant de percer un trou dans la cheminée. Voir **fig. 1** pour les cotes.
- Raccordement arrière : veiller à ce que le conduit de raccordement soit incliné vers le haut.
- Utiliser un coude de conduit doté d'une trappe ou un té ou siphon afin de permettre les opérations de ramonage suivant règlement.

FRANCAIS

- Veiller à ce que les raccordements soient souples afin d'empêcher toute fissure lors de l'installation.
- Tirage recommandé; Voir également les sections « 2.0 Données techniques ». En cas de tirage trop important, utiliser un clapet ou un modérateur de tirage.

Quelle est l'influence du vent et de la météo sur l'appareil de chauffage ?

La force du vent sur la cheminée peut considérablement affecter les performances de l'appareil de chauffage. Il peut par conséquent être nécessaire d'ajuster l'alimentation en air pour garantir de bonnes performances de combustion. Il peut également être judicieux d'installer un clapet ou un modérateur de tirage dans le conduit de fumée pour adapter le tirage de la cheminée en fonction de la force du vent.

Le brouillard et la brume peuvent également avoir un impact important sur le tirage de la cheminée, et il peut être nécessaire d'utiliser d'autres paramètres d'air de combustion pour garantir de bonnes performances.

Cheminée

Le conduit de cheminée est un élément essentiel au bon fonctionnement d'un chauffage à bois.

Le tirage de la cheminée génère une dépression dans le poêle. Cette dépression évacue la fumée hors du poêle et, à travers le registre d'air de combustion, aspire de l'air qui alimente le processus de combustion.

L'air de combustion vient aussi balayer la vitre et y empêche ainsi le dépôt de suie.

Le tirage de la cheminée est généré par la différence de température entre l'intérieur de la cheminée et l'extérieur de la maison. Plus cette différence de température est élevée, meilleur est le tirage de la cheminée. Il est donc important que la cheminée atteigne sa température de service rapidement avant que soient réduites l'entrée d'air et la combustion dans le poêle (une cheminée en maçonnerie met plus de temps pour atteindre sa température de service qu'une cheminée en acier isolé).

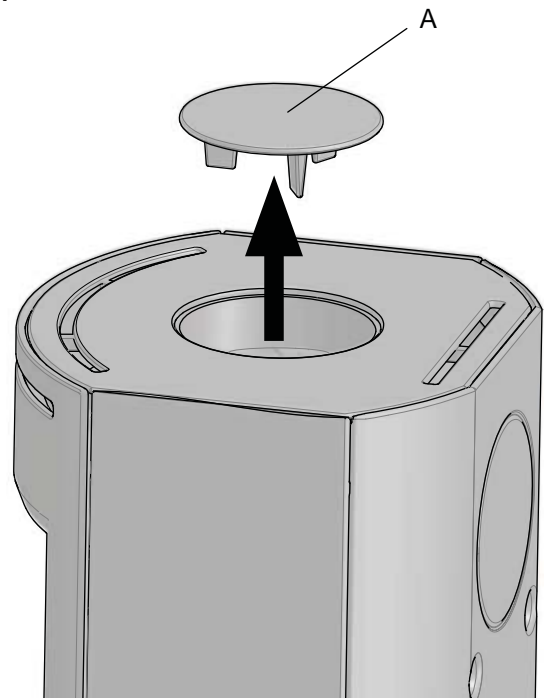
Les jours où les conditions météorologiques et le vent sont défavorables, il est donc particulièrement important que la température de service de la cheminée soit atteinte le plus vite possible. Les flammes doivent vite être attisées. Conseil pratique : Fendez des bûchettes de bois particulièrement fines ; utilisez des blocs d'allumage supplémentaires etc.

Remarque : Après un arrêt prolongé de l'utilisation du poêle, il importe de vérifier que le conduit de cheminée n'est pas plus ou moins bouché.

4.4 Montage d'un conduit de fumée avec sortie par le haut

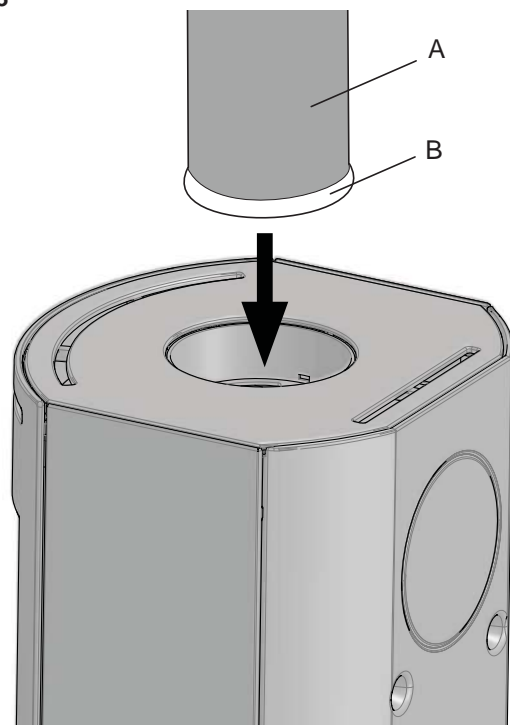
Le produit livré est prévu pour une sortie dessus.

Fig. 17



1. Retirer le cache sortie de fumée (A).

Fig. 18

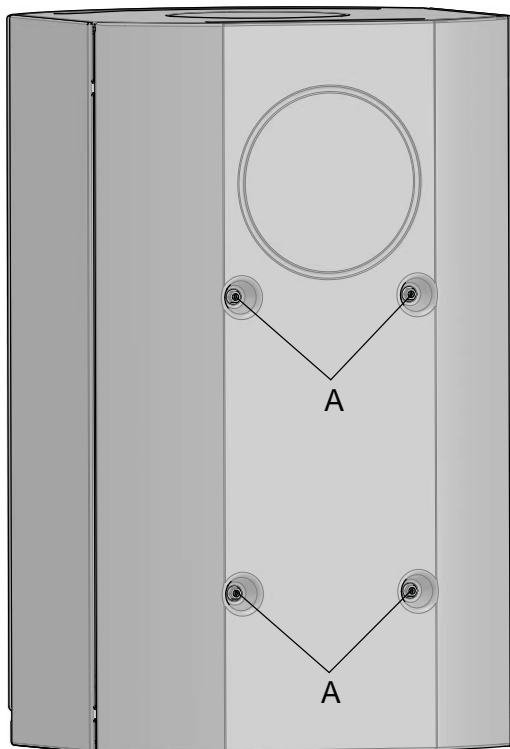


2. Placer le joint d'étanchéité (B) sur le rebord du conduit de fumée (A).
3. Faire passer le conduit de fumée à travers la plaque supérieure, puis le placer dans la sortie de fumée par le haut.

4.5 Montage d'un conduit de fumée avec sortie par l'arrière

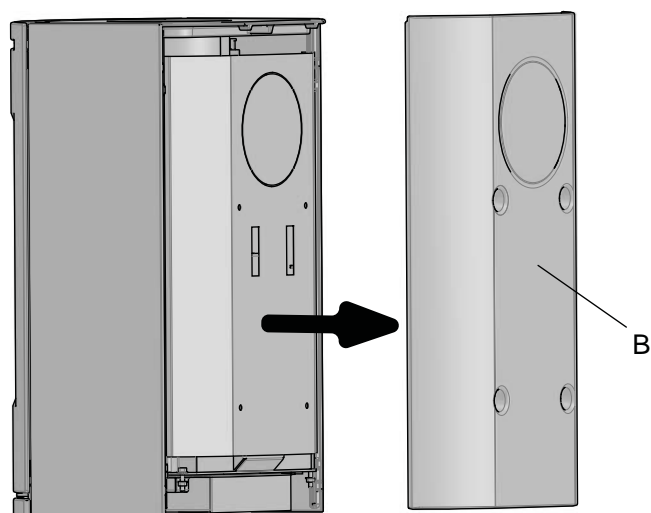
Le produit est livré avec un conduit d'évacuation de la fumée prévu pour une sortie par le haut. Si vous utilisez une évacuation par l'arrière, procédez comme suit :

Fig. 19



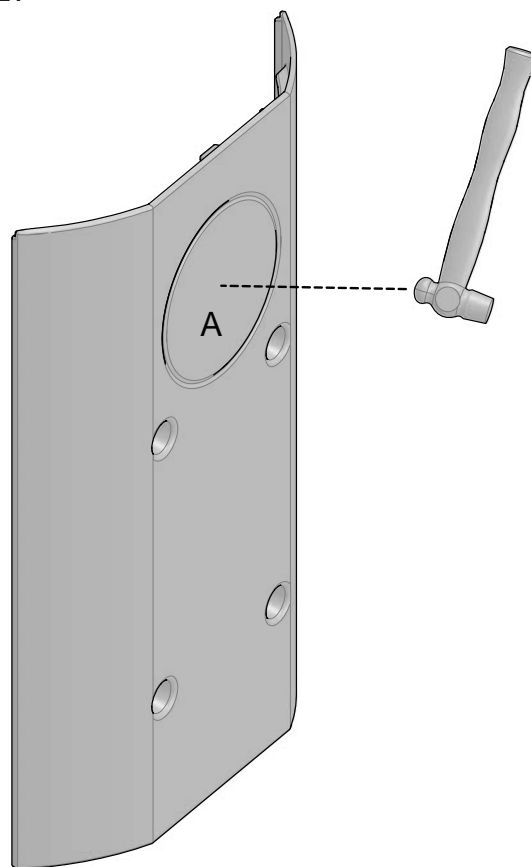
1. Desserrez les quatre vis (A).

Fig. 20



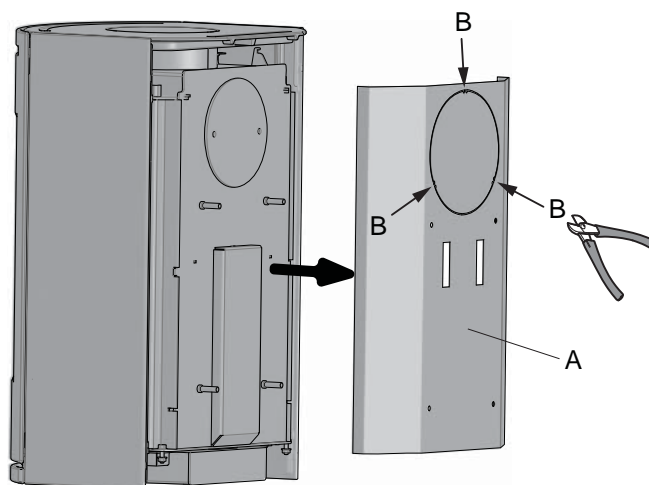
2. Décrocher la plaque arrière (B).

Fig. 21



3. Défoncer le couvercle (A) avec un marteau.

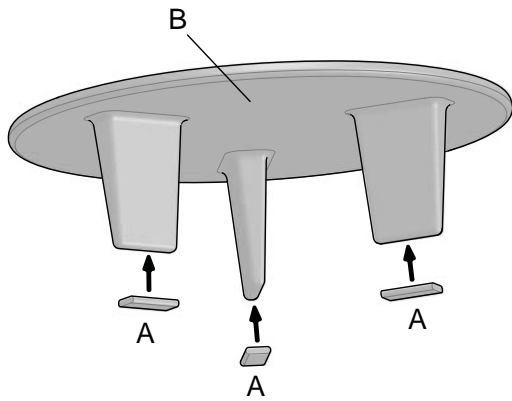
Fig. 22



4. Soulever et enlever les plaques arrière internes (A).
5. Puis détacher le cache aux quatre points indiqués (B).

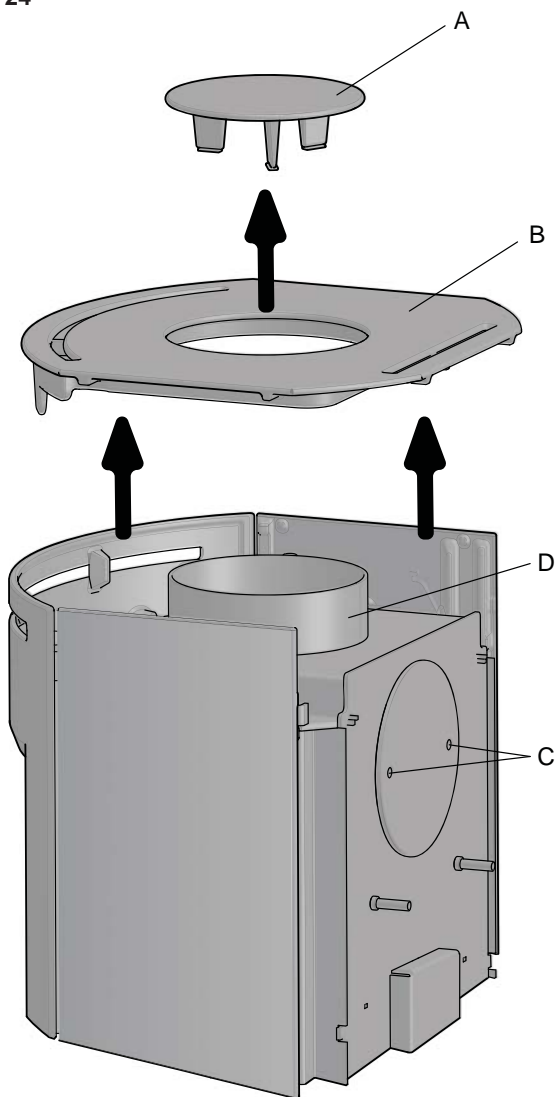
FRANCAIS

Fig. 23



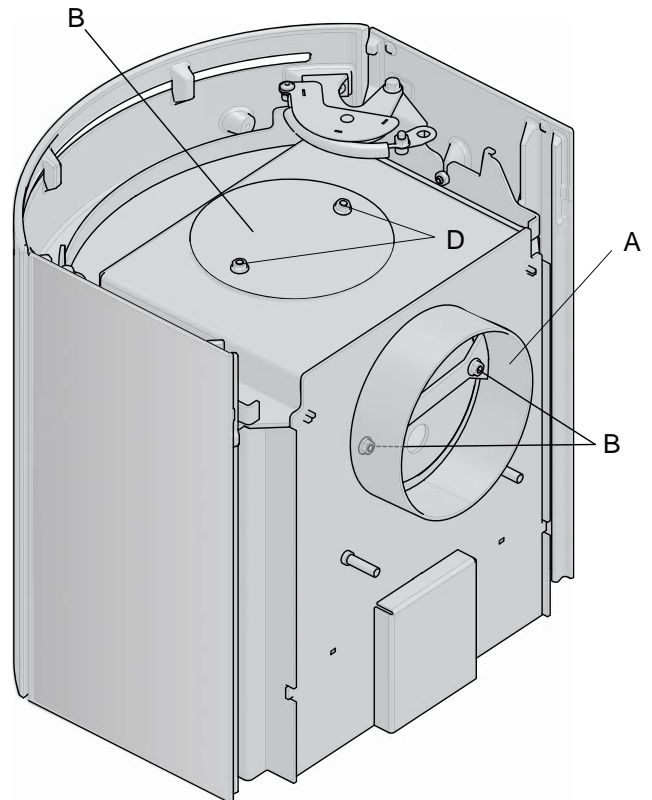
6. Découper le joint fourni (A) en trois longueurs de manière à s'adapter à la taille des languettes.
7. Placer les joints sur les bords des trois languettes du cache supérieur (B).

Fig. 24



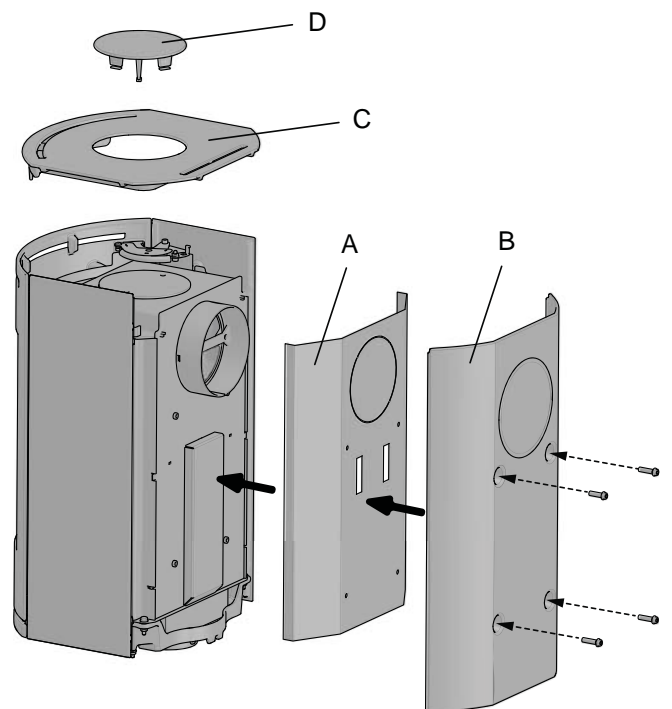
8. Soulever le cache supérieur (A) ainsi que la plaque supérieure (B) puis mettre ces éléments de côté.
9. Dévisser les vis du cache arrière du conduit d'évacuation de fumée (C) et retirer le cache.
10. Dévisser la buse (D).

Fig. 25



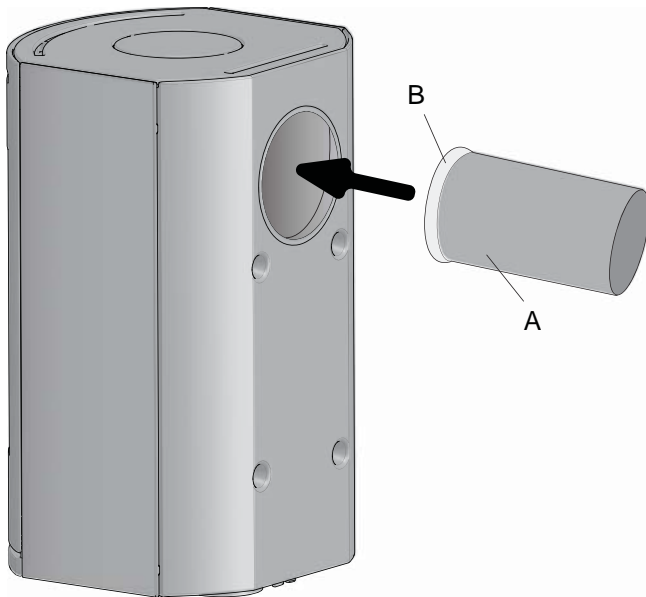
11. Fixer la buse (A) à l'évacuation arrière en utilisant les vis d'origine (B).
12. Fixer le cache du conduit d'évacuation de fumée (C) à la sortie par le haut en utilisant les vis d'origine (D).

Fig. 26



13. Placer les plaques arrière intérieures (A) et extérieures (B) sur l'appareil puis les visser en utilisant les 4 vis d'origine.
14. Fixer la plaque supérieure (C) et le cache supérieur (D).

Fig. 27

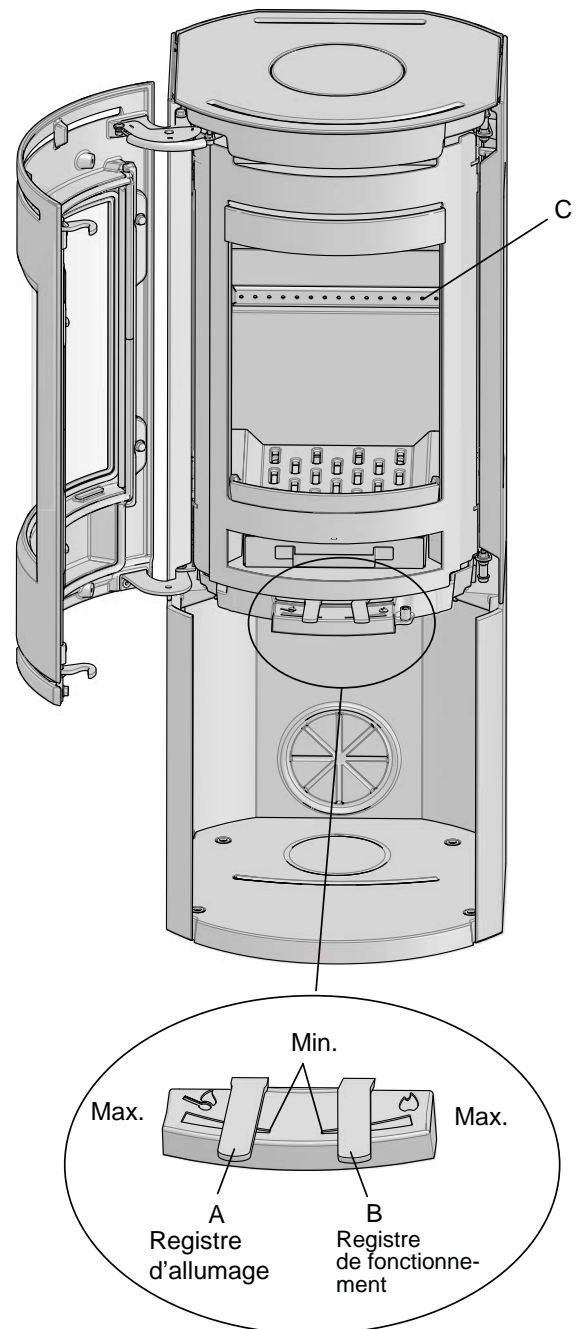


15. Placer le joint d'étanchéité **(B)** sur le rebord du conduit de fumée **(A)**.
16. Insérer le conduit de fumée dans la sortie arrière

4.6 Test de fonctionnement

Une fois le poêle installé, vérifiez toujours les poignées de commande. Les éléments mobiles doivent fonctionner librement.

Fig. 28



Le poêle Jøtul F 130 est équipé des commandes suivantes :

Registre d'allumage (A)

Déplacer vers la gauche: Maximum
 Déplacer vers la droite: Minimum

Registre de fonctionnement (B)

Déplacer vers la gauche: Minimum
 Déplacer vers la droite: Maximum

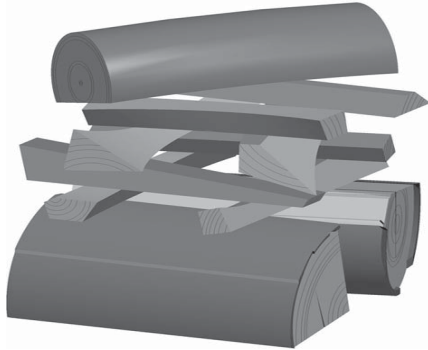
Hauteur d'empilage (C) pour le bois (*les trous ne doivent pas être recouverts*).

FRANCAIS

4.7 Allumage

Pousser la commande d'air d'allumage complètement à gauche (**fig. 28**). Pousser la commande d'air de combustion (**fig. 28**) complètement à droite. (utiliser un gant, par exemple, car les commandes peuvent devenir chaudes).

Fig. 29



- Placer deux bûches de taille moyenne à l'entrée et au fond de la plaque de source. **N.B.** : pour éviter que de la suie ne se dépose sur le verre, veillez à ce que les bûches ne touchent pas le verre lorsqu'elles sont placées dans l'appareil (**fig. 28**).
- Froissez quelques feuilles de papier journal, jamais de papier glacé (ou utilisez de l'écorce de bouleau) entre ces deux bûches, entrecroisez du bois d'allumage sur ce papier, puis mettez-y le feu.
- Augmentez graduellement la taille du feu sans que le bois ne s'empile au-delà des orifices horizontaux de la plaque de doublage arrière. Voir **fig. 28**. **Remarque : La hauteur maximale de la pile de bois ne doit pas dépasser la ligne de trous horizontale. Ne pas recouvrir les trous.**
- Fermer l'entrée d'air inférieure une fois que le feu a pris. **ATTENTION !** Ne pas fonctionner avec l'entrée d'air inférieure ouverte, cela risque d'endommager la sole foyer.
- Veiller à ce que la postcombustion s'amorce (présence de flammes jaunes et oscillantes sous le déflecteur).
- Régler ensuite la vitesse de combustion sur la capacité de chauffage souhaitée en ajustant l'entrée d'air supérieure (**fig. 28**).
- Fermez la porte. La porte doit toujours être fermée lorsque le feu est allumé.

Ajouter du bois

Alimentez le poêle régulièrement mais n'ajoutez que de petites quantités de combustible à la fois. Si la combustion est trop vive, la contrainte thermique dans la cheminée risque de devenir excessive. Faites preuve de modération. Évitez les feux couvants car ils sont les plus polluants. Le feu est parfait lorsque le bois brûle bien et que la fumée qui sort de la cheminée est pratiquement invisible. La position idéale est l'entrée d'air de combustion ouverte à moitié.

Risque de surchauffe

Ne surchauffez jamais le poêle

La surchauffe est provoquée par un excès de combustible et/ou d'air qui donne lieu à un dégagement de chaleur trop important. Lorsque le poêle devient incandescent par endroits, c'est un signe incontestable de surchauffe. Si le cas se produit, réduisez immédiatement l'apport d'air frais. En cas de surchauffe, la garantie ne pourrait pas être assurée.

Si vous pensez que la cheminée tire mal (tirage excessif ou insuffisant), contactez un spécialiste. Pour plus de détails, reportez-vous à «**4.0 Installation** » (**Cheminée et conduit d'évacuation**).

Retrait des cendres

Le poêle Jøtul F 130 est équipé d'un cendrier qui facilite l'élimination des cendres.

- Enlevez les cendres uniquement lorsque le poêle est froid.
- Nous vous recommandons de toujours laisser deux à trois centimètres de cendres au fond de votre appareil.
- La cendre va protéger le fond, conserver les braises et favoriser le redémarrage du feu au rechargement en bois après quelques heures de feu ralenti.

5.0 Utilisation au quotidien

Odeurs perceptibles lors de la première utilisation du poêle

Lors de la première utilisation, le poêle peut émettre un gaz irritant et dégager des odeurs désagréables. Ceci se produit lorsque la peinture sèche. Ce gaz n'est pas toxique, mais il est recommandé de bien aérer la pièce. Maintenir une température élevée dans le poêle jusqu'à qu'aucun gaz, fumée ou odeur ne puisse être détecté.

Laisser la porte ouverte pendant les premières minutes pour faire sécher la peinture et éviter le décolllement du joint de porte.

Utilisation

Conseils de chauffage

Remarque : Il est recommandé d'entrer les bûches qui ont été stockées à l'extérieur ou dans une pièce froide 24 heures avant de les brûler afin de les amener à température ambiante.

Il existe différentes manières de chauffer le poêle, mais soyez toujours attentif à ce que vous y mettez. Voir le chapitre intitulé « La qualité du bois ».

La qualité du bois

Par bois de qualité, nous entendons les essences les plus courantes telles que bouleau, épicéa et pin ou hêtre, chêne, érable. Suivant les pays.

Les bûches doivent sécher afin que leur teneur en eau ne dépasse pas 20 %.

Pour cela, il convient de couper le bois à la fin de l'hiver. Fendez-les et empilez-les pour permettre à l'air de bien circuler. Recouvrez les piles afin de protéger les bûches de la pluie. Entrez les bûches dans la maison au début de l'automne en vue de leur utilisation pendant l'hiver qui suit.

Soyez particulièrement attentif à ne jamais brûler les matériaux suivants dans le poêle :

- Les déchets ménagers, les sacs en plastique, etc.
- Le bois peint ou imprégné (très toxique).
- Le bois contreplaqué
- Le bois qui est resté dans l'eau
- Les chutes de menuiserie dont le bois est trop sec.
- Le bois de récupération de chantier

Ceux-ci risquent d'endommager l'appareil et ce sont aussi des polluants.

Si vous utilisez des bûches de bois compressé, réduisez la quantité de moitié par rapport au bois en bûches.

Remarque : N'employez jamais de l'essence, de la paraffine, de l'alcool (méthylque) ou tout liquide similaire pour allumer le feu. Vous risqueriez de vous blesser sérieusement et d'endommager l'appareil.

Le bois

Le poêle Jøtul F 130 délivre une puissance thermique nominale de 4,7 kW. Utilisation de bois avec puissance thermique nominale: env. 1,25 kg/h. L'efficacité de la combustion du bois dépend également d'un autre facteur tout aussi important, la dimension des bûches :

Pour le bois d'allumage :

| | |
|------------------------|------------|
| Longueur: | Max. 20 cm |
| Diamètre: | 2 - 4 cm |
| Quantité par flambée : | 6-8 bûches |

Pour le bois de chauffage (fendu) :

| | |
|--|-----------|
| Diamètre: | Env. 8 cm |
| Fréquence d'approvisionnement en bois : env. 45 min. | |
| Taille du feu : (nominal heat output) | 1,25 kg |
| Nombre de bûches à chaque réapprovisionnement : | 2 pièces |
| Amount per load: | 1,26 kg |

La puissance de chauffage nominale s'obtient lorsque le registre d'allumage est ouvert à environ 30 % (**Fig. 28**) La puissance de chauffage maximum s'obtient lorsque le registre d'air est ouvert à environ 100 %.

6.0 Entretien

6.1 Nettoyage de la vitre

Le produit est équipé d'un système d'entrée d'air par le haut. L'air est aspiré au-dessus du foyer et circule le long de la vitre.

L'accumulation de suie sur la vitre est toutefois inévitable, la quantité de dépôts dépendant du taux d'humidité du combustible, des conditions de tirage et du réglage de l'entrée d'air supérieure. Une grande partie de cette suie est normalement consommée lorsque l'entrée d'air est ouverte à son maximum et en présence d'un feu vif dans le poêle.

Un bon conseil ! Pour les opérations courantes de nettoyage, humidifier un essuie-tout ou du papier journal ou une simple éponge à l'eau chaude. Frotter la vitre avec ce moyen puis rincer à l'eau claire et essuyer. Pour les tâches persistantes, il est recommandé d'utiliser un nettoyant à vitres. Ne jamais projeter le produit directement sur la vitre : il risque de détériorer les fixations de la vitre et le joint, ce qui peut entraîner la cassure de la vitre.

6.2 Nettoyage et élimination des dépôts de suie

Pendant l'utilisation, de la suie peut se déposer sur les surfaces internes du foyer. La suie est un bon isolant. Elle réduit donc la puissance thermique du foyer. Utiliser une brosse métallique pour retirer tout dépôt de suie dans le produit, sauf sur les plaques en vermiculite !

Laisser brûler vivement afin d'éviter tout dépôt de goudron et d'eau dans le poêle.

Un nettoyage annuel de l'intérieur du foyer est requis pour optimiser le rendement du produit. Cette opération peut être réalisée lors du ramonage des conduits et de la cheminée.

6.3 Ramonage des conduits d'évacuation vers la cheminée

Sur certains foyers autonomes, il est possible de soulever le couvercle et de ramoner le conduit par le haut.

Sinon, le ramonage des conduits doit s'effectuer à partir de la trappe de ramonage ou depuis l'intérieur du produit, auquel le déflecteur doit être retiré. Renseignez-vous auprès de votre distributeur Jøtul sur la réglementation à ce sujet.

6.4 Contrôle du poêle

Jøtul recommande que l'utilisateur contrôle personnellement et soigneusement le foyer suite à une opération de ramonage/nettoyage. Vérifier l'absence de fissures sur toutes les surfaces visibles. Vérifier également l'état et la bonne installation de tous les joints. Tout joint montrant des signes d'usure, de déformation ou de dureté doit être remplacé.

Nettoyer soigneusement les gorges de joint, appliquer de la colle céramique (disponible auprès des distributeurs Jøtul), puis insérer correctement le joint sans tirer dessus. Le séchage est rapide.

FRANCAIS

6.5 Entretien de la surface externe

La couleur des produits peints peut se ternir après plusieurs années d'utilisation. Avant d'appliquer une nouvelle couche de peinture, brosser et laver la surface peinte pour en éliminer toutes les particules.

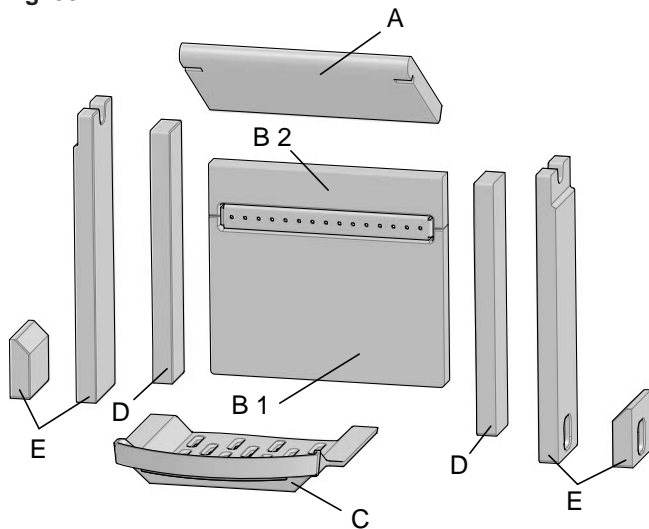
7.0 Maintenance

Toute modification non autorisée du produit est interdite. Utilisez uniquement des pièces de rechange d'origine.

7.1 Remplacement des pièces du poêle

Utilisez les outils avec précaution. La plage de doublage en vermiculite doit être manipulée avec précaution pour éviter tout dommage.

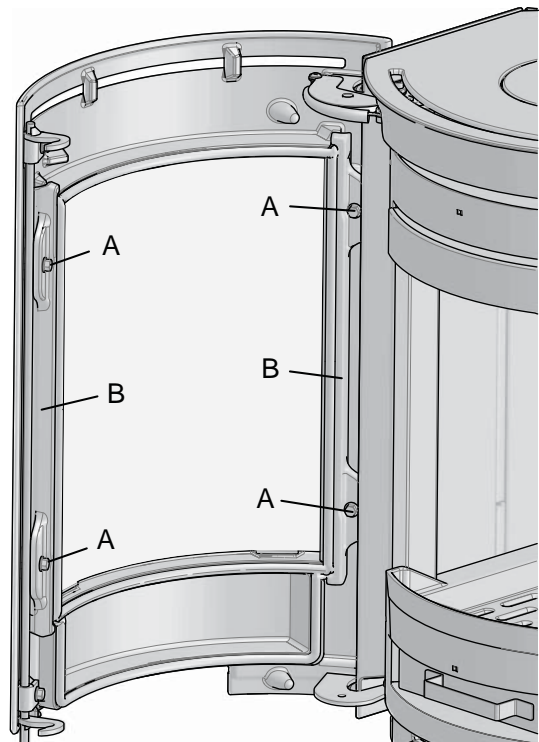
Fig. 30



1. **Défecteur** : Saisir le bord arrière du déflecteur (A) de haut en bas et le tourner pour l'extraire du foyer.
2. Soulever la grille de cendres (C) et la retirer du foyer.
3. Retirez la/les plaque(s) de doublage latérale(s) (D).
4. Retirer la plaque de doublage latérale (E) (les grandes plaques de doublage latérales sont pour les modèles sans vitres sur les côtés, tandis que les petites sont pour les modèles équipés de vitres sur les côtés).
5. Retirer la plaque de doublage arrière (B).

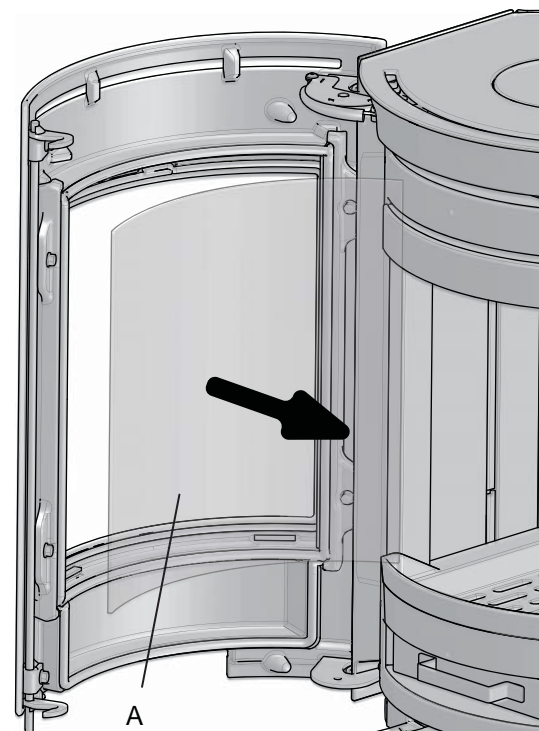
7.2 Remplacement de la vitre et des joints de la porte

Fig. 31



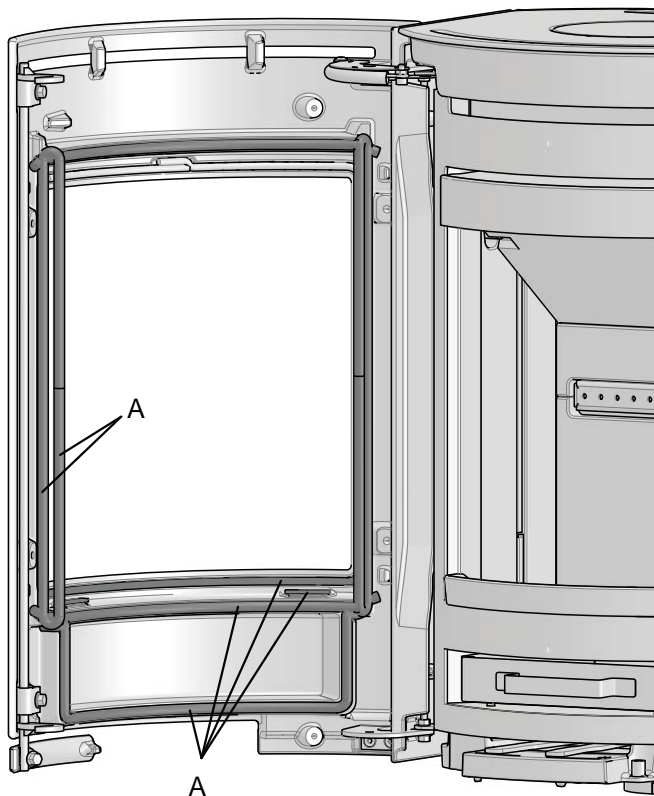
6. Desserrer les quatre vis des clips de vitre (A-B) à la porte.
7. Retirer les des clips de vitre.

Fig. 32



8. Sortir soigneusement la vitre (A).

Fig. 33



9. Retirer les joints (**A**) de la porte. Bien nettoyer la rainure du joint et coller le nouveau joint en place. **ATTENTION !** Mettre seulement un peu de colle au fond de la gorge. La colle ne doit pas déborder du joint. Ne pas couper le joint à longueur avant de la poser.
10. Une fois que tous les joints usagés ont été remplacés, remonter la vitre (**fig. 32**) et les fixations (**fig.31**).

8.0 Équipements disponibles en option

Kit d'amenée d'air frais Ø 100 mm

Ø 100mm -

Art. no. 51012164

9.0 Dysfonctionnements – Causes et dépannages

Tirage faible

Vérifier que la longueur de la cheminée est conforme aux législations et aux réglementations nationales en vigueur. (Voir aussi «**2.0 Données techniques**» et «**4.0 Installation**» (**Cheminées et conduits**) dans le manuel d'installation à ce sujet.)

Vérifier que la section minimale de la cheminée est conforme aux spécifications de la section «**2.0 Données techniques**» du manuel d'installation.

Vérifier que rien n'empêche l'évacuation des fumées : branches, arbres, etc.

Pour remédier à tout tirage semblant faible ou excessif, demander à un professionnel de vérifier et éventuellement de redimensionner la cheminée.

Le feu s'éteuffe rapidement

- Vérifier que le bois de chauffage est suffisamment sec.
- Vérifier l'absence d'aspiration dans la pièce. Arrêter toute ventilation mécanique et ouvrir une fenêtre à proximité de l'appareil..
- Vérifier que l'entrée d'air est ouverte.
- Vérifier que le conduit n'est pas obstrué.

Important dépôt de suie sur la vitre

L'accumulation de suie sur la vitre est inévitable, mais la quantité de dépôt varie en fonction :

- Du taux d'humidité du combustible.
- Des conditions locales de tirage.
- Du réglage de l'entrée d'air.

Une grande partie de cette suie est normalement consommée lorsque l'entrée d'air est ouverte à son maximum et en présence d'un feu vif dans le foyer pendant une dizaine de minutes.

10.0 Recyclage

10.1 Recyclage de l'emballage

- Votre poêle est livré avec les emballages suivants :
- Une palette en bois qui peut être sciée et brûlée dans le poêle.
- Des emballages en carton qui doivent être déposés dans une station de recyclage près de chez vous.
- Des sacs en plastique qui doivent être déposés dans une station de recyclage près de chez vous, ou dans poubelle.

10.2 Recyclage du poêle

Le poêle est composé de :

- d'éléments métalliques qui doivent être déposés dans une station de recyclage près de chez vous.
- de verre qui doit être éliminé comme des déchets dangereux. Le verre dans le poêle ne doit pas être placé dans un conteneur de séparation à la source standard.
- de panneaux en vermiculite qui peuvent être déposés dans des conteneurs de déchets classiques.

11.0 Conditions de garantie

Applicables à partir du 1^{er} Septembre 2016 à tout produit Jøtul acheté auprès du réseau de revendeurs agréés Jøtul.

Félicitations pour votre achat d'un appareil Jøtul !

Depuis 1853, Jøtul est un fabricant renommé de foyers, cheminées et inserts durables et d'excellente qualité. La grande qualité de nos produits nous permet d'offrir à nos clients une garantie longue durée, et ce, sans frais supplémentaires.

Notre garantie couvre :

En plus de la garantie légale en vigueur, Jøtul France offre une garantie commerciale étendue à :

- 25 ans à compter de l'achat de l'appareil sur toutes les pièces en fonte des appareils à bûches, si vous enregistrez votre appareil sur le site www.jotul.com/fr dans les 3 mois suivant votre achat. Nous vous conseillons d'imprimer et de conserver votre justificatif d'enregistrement de garantie avec votre preuve d'achat. A défaut d'enregistrement, la garantie commerciale sera de 5 ans à compter de l'achat de l'appareil sur ces mêmes pièces.
- 5 ans sur les pièces en acier des appareils à bûches.

La garantie s'applique uniquement si l'appareil a été installé par un revendeur agréé du réseau Jøtul, conformément à la réglementation en vigueur et aux instructions d'installation et d'utilisation décrites dans le manuel de l'appareil.

Les appareils réparés ou les appareils de remplacement, ne donnent en aucun cas droit à une prolongation de garantie. Ils sont donc garantis pour la durée restante de la garantie initiale.

Notre garantie commerciale ne couvre pas :

- Les pièces d'usure, telles que les composants de la chambre de combustion (déflecteurs, joints, plaques de doublage, etc.), car ces pièces s'usent avec le temps lors d'une utilisation normale,
- Les vitres, la peinture, l'émail, les pierres naturelles, les éléments en béton et tous les revêtements décoratifs,
- Les dommages liés à une mauvaise utilisation : combustible inapproprié ou de mauvaise qualité, surchauffe, défaut d'entretien, non respect des instructions d'utilisation décrites dans le manuel de l'appareil, etc,
- Les dommages liés au transport ou à une mauvaise installation de l'appareil,
- Les cas impliquant des modifications de l'appareil sans le consentement de Jøtul ou l'utilisation de pièces qui ne sont pas d'origine,
- Les frais annexes (frais de port, déplacement, main d'œuvre, etc...), ni les dommages indirects.

La demande de garantie doit être effectuée auprès de votre revendeur agréé du réseau Jøtul, dans les 14 jours suivant la survenance du défaut. Voir liste de nos revendeurs sur notre site internet. Elle doit être accompagnée de votre preuve d'achat de l'appareil (facture) et de votre justificatif d'enregistrement de garantie.

Si Jøtul se trouve dans l'incapacité d'assumer la prise en charge sous garantie de votre appareil, Jøtul remplacera gratuitement votre produit par un appareil de puissance similaire.

Cette garantie est exclusive de toute autre garantie et prévaut sur toute autre garantie accordée par toute autre société du groupe Jøtul.

Inhoudsopgave

| | | |
|------|--|----|
| 1.0 | Wettelijke voorschriften | 45 |
| 2.0 | Technische gegevens..... | 45 |
| 3.0 | Veiligheid..... | 46 |
| 4.0 | Installatie | 52 |
| 5.0 | Dagelijks gebruik..... | 61 |
| 6.0 | Onderhoud | 62 |
| 7.0 | Groot onderhoud | 63 |
| 8.0 | Gebruiksproblemen - problemen oplossen..... | 64 |
| 9.0 | Optionele accessoires..... | 64 |
| 10.0 | Recycling..... | 65 |
| 10.0 | Garantie | 65 |

Registreer uw haard op jotul.com met het oog op de garantie van 25 jaar.

| | | | | |
|--|----------------|-----------------------|--|-------|
| Product: Jotul Room heater fired by solid fuel | | | | CE |
| Standard Minimum distance to adjacent combustible materials: Emission of CO in combustion products: Flue gas temperature Nominal heat output: Efficiency Operation range: Fuel type Operational type: The appliance can be used in a shared flue. | | | | |
| Country | Classification | Certificator/standard | Approved by | |
| Norway | klasse II | | | |
| Sweden | occ | SP | SP Sveriges Provnings- och Forskningsinstitut AB | |
| EUR | interrmittent | EN | EN Swedish National Testing and Research Institute | |
| Follow user's instructions. Use only recommended fuels. Montage- und Bedienungsanleitung beachten. Verwenden Sie nur empfohlenen Brennstoffen. Respectez les consignes d'utilisation. Utilisez uniquement les combustibles recommandés. | | | | |
| Serial no: Y-xxxx, Year: 200x | | | | |
| Manufacturer: Jotul AS POB 3441 N-1602 Fredrikstad Norway | | | | 22546 |

Al onze producten zijn voorzien van een label met een serienummer en een jaartal. Noteer dit nummer op de daarvoor bestemde plaats, zoals aangegeven in de installatie-instructies.

Houd dit serienummer bij de hand als u contact opneemt met uw leverancier of met Jotul.

Serial no.

1.0 Wettelijke voorschriften

Een haard moet in overeenstemming met de wetten en voorschriften van uw land worden geïnstalleerd. Alle lokale bepalingen, inclusief de bepalingen die betrekking hebben op nationale en Europese normen, zullen worden nageleefd bij het installeren van het product.

Voordat u dit product in gebruik neemt, moet de installatie worden goedgekeurd door een gekwalificeerd technicus.

Een product type goedkeuringsplaat van hittebestendig materiaal vindt u aan de achterkant van de basis / aan de binnenkant of aan de voorkant van de voetstuk. Deze geeft informatie over de identificatie en registratie van het product.

2.0 Technische gegevens

| | |
|--------------------------------|----------------------|
| Materiaal : | gietijzer / staal |
| Afwerking: | zwarte lak |
| Rookafvoer: | boven-/achterkant |
| Doorsnede van de aansluiting:: | Ø150 mm |
| Externe luchtaansluiting: | Alu. flex. - Ø100 mm |

Gewicht , haard met:

| | |
|---------------------------------|--------------------------------|
| Verbrandingskamer met voetstuk: | 120 kg |
| Verbrandingskamer met basis: | 140 kg |
| Optionele accessoires: | Ø 100 externe luchttoevoer, |

Afmetingen van het product,
afstanden:

Zie afb. 1

Technische gegevens volgens EN 13240 / NS 3058:

| | |
|---|---|
| Nominale warmteafgifte: | 4,7 kW |
| Rookgasvolume: | 3,7 g/s |
| Schoorsteentrek, EN 13240: | 12 Pa |
| Aanbevolen negatieve druk in rookkanaal: | 16 Pa |
| Efficiëntie: | 83% @5,4 kW |
| CO uitstoot (13% O ₂): | 0,10 % |
| CO uitstoot (13% O ₂): | 1180 mg / Nm ³ |
| NOx at 13% O ₂ : | 148 mg / Nm ³ |
| OGC @ 13 % O ₂ : | 79 mg / Nm ³ |
| Emissie van deeltjes | |
| NS 3058 / 3059: | 1,89 g / kg |
| Luchtverbruik: | 3,1 liter/sek. |
| Schoorsteentemperatuur, EN 13240: | 260 °C |
| Stof: | 5 mg/Nm ³ @13%O ₂ |

| | |
|-----------------------------------|-----------|
| Type brandstof:: | Wood |
| Max. lengte van blokken : | 20 cm |
| Hoeveelheid randstofverbruik: | 1,52 kg/h |
| Max. hoeveelheid aanmaakhout: | 1,54 kg |
| Nominale hoeveelheid aanmaakhout: | 1,25 kg |
| Bedrijf: | Cyclisch |

Cyclische verbranding betekent in deze context normaal gebruik van een haard, d.w.z. dat u meer brandstof moet toevoegen als het vuur tot sintels is verbrand.

NEDERLANDS

3.0 Veiligheid

NB! Om zeker te zijn van optimale prestaties en veiligheid, dienen de kachels van Jøtul altijd te worden geplaatst door een gekwalificeerde installateur.

Aanpassingen aan het product door de distributeur, installateur of consument kunnen ertoe leiden dat het product en de beveiligingen niet naar behoren functioneren. Hetzelfde geldt voor de installatie van niet door Jøtul geleverde accessoires of optionele extra's. Dit kan ook het geval zijn indien essentiële onderdelen voor het functioneren en de veiligheid van de haard gedemonteerd of verwijderd worden.

In al deze gevallen is de fabrikant niet verantwoordelijk of aansprakelijk voor het product en het recht op reclamatie komt hierdoor te vervallen.

Notitie! Delen van de kachel, vooral aan de buitenkant worden heet tijdens het gebruik. Wees voorzichtigheid!

3.1 Maatregelen op het gebied van brandpreventie

Elk gebruik van de haard brengt een zeker risico met zich mee. Neem daarom de volgende instructies nauwkeurig in acht:

- De minimale veiligheidsafstanden tijdens het gebruik van de haard zijn weergegeven in **afb. 1**.
- Zorg ervoor dat er geen meubels of andere brandbare materialen te dicht bij de haard staan. Brandbare materialen mogen nooit binnen 900 mm afstand van de haard geplaatst worden.
- Laat het vuur vanzelf uitgaan. Blus het vuur nooit met water.
- De haard wordt tijdens gebruik warm en kan bij aanraking brandwonden veroorzaken.
- Verwijder de as niet voordat de haard koud is. De as kan smeulende resten bevatten en moet daarom in een onbrandbare bak worden bewaard.
- De as moet naar buiten worden afgevoerd of worden weggegooid op een plek waar geen brandgevaar bestaat.

Bij brand in de schoorsteen

- Sluit alle luiken en ventilatieopeningen.
- Houd de deur van de vlamkast gesloten.
- Controleer of er rook is op zolder en in de kelder.
- Bel de brandweer.
- Voordat u de haard opnieuw in gebruik neemt na een brand, moet een deskundige de haard en de schoorsteen controleren om na te gaan of deze goed werkt.

3.2 Vloer

Fundament

Het fundament moet op de haard berekend zijn. Zie «**2.0 Technische gegevens**» voor het gewicht van de haard. Het wordt aanbevolen om een vloer die niet aan het fundament bevestigd is, een zogenaamde zwevende vloer, bij de installatie te verwijderen

Brandbare vloeren voor de haard moeten voldoen aan het volgende:

De voorplaat moet in overeenstemming zijn met de nationale wetten en voorschriften.

Neem contact op met de afdeling Bouwtoezicht van uw gemeente voor informatie over beperkingen en installatie-eisen.

Notitie! De ruimte onder de verbrandingskamer van de Jøtul F 134 / Jøtul F 135 (product met een basis) kan niet worden gebruikt voor houtopslag of voor een ander brandbaar materiaal.

Jøtul raadt aan dat alle vloeren van brandbaar materiaal, zoals linoleum, tapijt, enz. onder de vloerplaat verwijderd moet worden.

3.3 Muren

De afstand tot de muur van brandbaar materiaal- zie **afb. 1a** en **1c**.

De afstand tot brandmuur: - zie **Afb. 1b** en **1d**.

De haard mag worden gebruikt met een niet-geïsoleerde kachelpijp op voorwaarde dat de afstanden tussen de haard en de muren van brandbare materialen overeenkomen met de gegevens uit Afb. 1c en 1d.

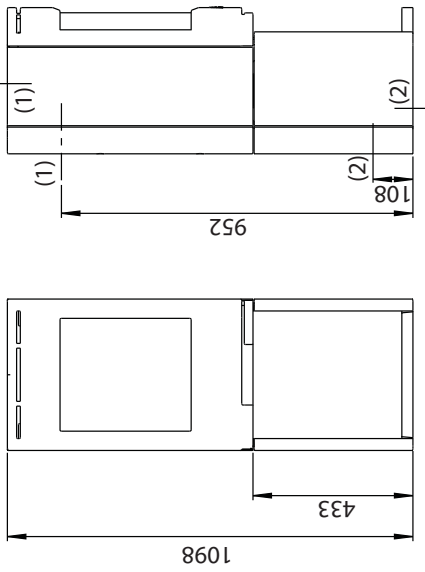
Zorg ervoor dat er geen meubels of andere brandbare materialen te dicht bij de haard staan. Brandbare materialen mogen nooit binnen 900 mm afstand van de haard geplaatst worden.

Let op! Zorg ervoor dat meubilair en andere huishoudartikelen niet zo dicht bij de kachel staan dat ze kunnen uitdrogen.

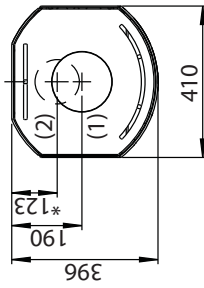
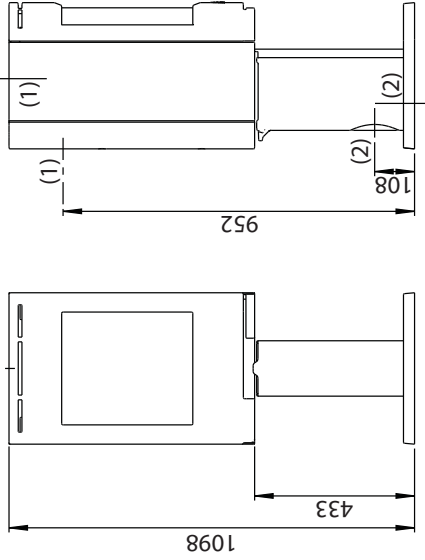
Afb. 1a

Jøtul F 130 Serien

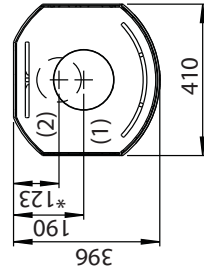
Jøtul F 134 (met basis en zonder zijglas)



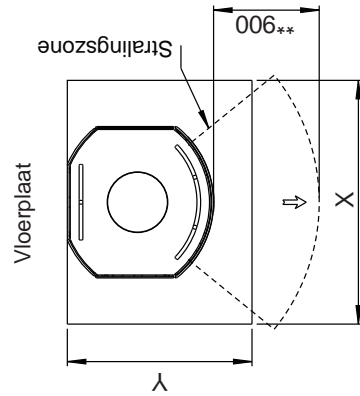
Jøtul F 136 (met voetstuk en zonder zijglas)



(1) - Centrum kachelpijp
(2) - Centrum externe luchtaansluiting



Minimale afmetingen voor de vloerplaat
X / Y in overeenstemming met nationale wet- en regelgeving



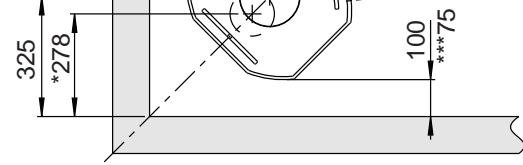
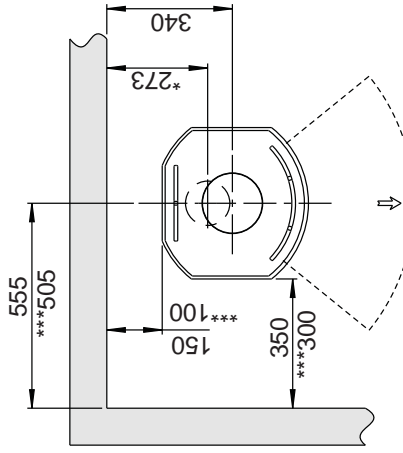
* Externe luchtaansluiting

** Minimale afstand tot meubilair/ brandbare materialen

*** De minimale afstanden tot brandbare muur voor een semi-geïsoleerde schoorsteen of afgeschermd kachelpijp

Brandbare muur

Min. afstand tot brandbare muur

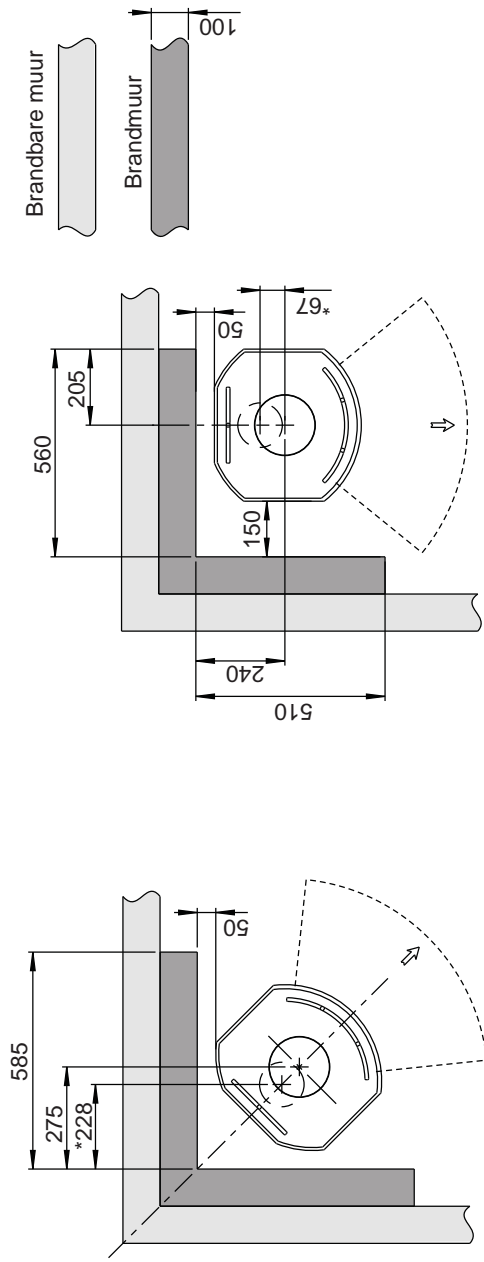


Jøtul F 130 Serien

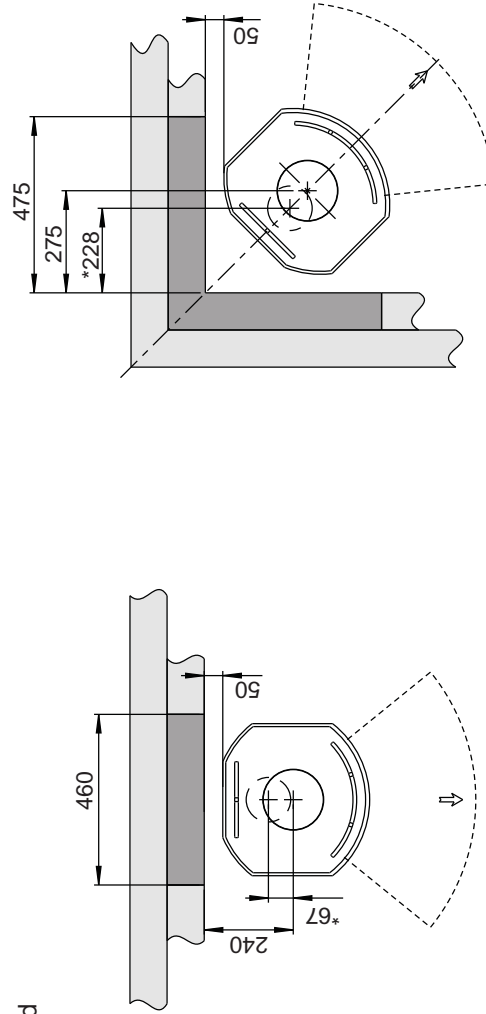
Afb. 1b

Jøtul F 134 / F 136 - minimale afstand tot brandmuur

Extern



Geïntegreerd



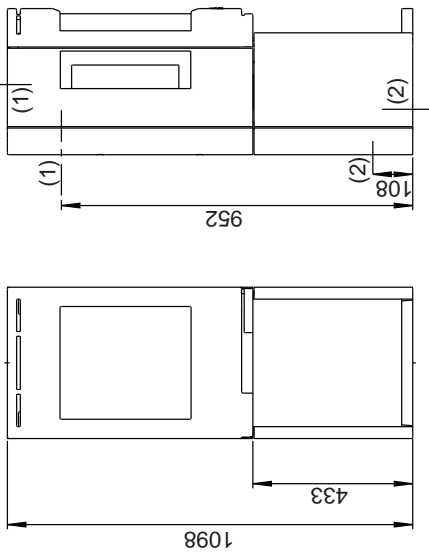
* Externe luchtaansluiting

900189-P00

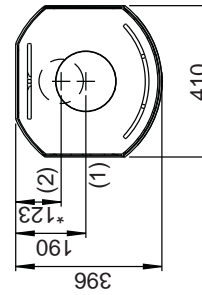
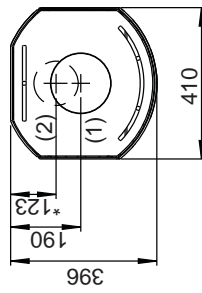
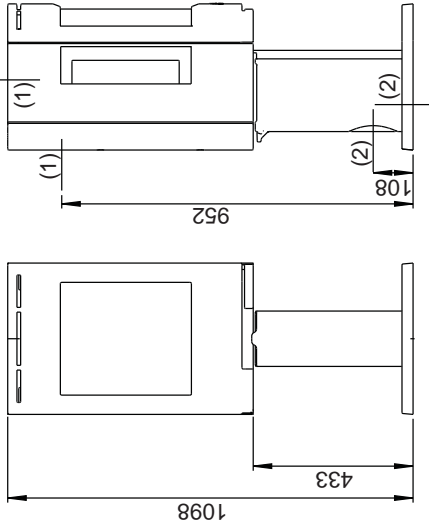
Jøtul F 130 Serien

Afb. 1c

Jøtul F 135 (met basis en zijglas)

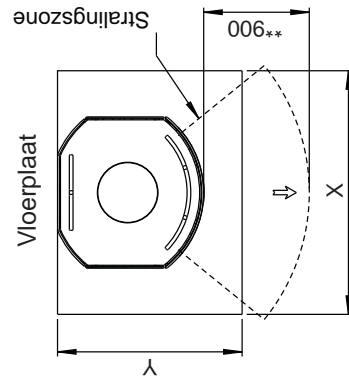


Jøtul F 137 (met voetstuk en zijglas)



(1) - Centrum kachelpijp
(2) - Centrum externe luchtaansluiting

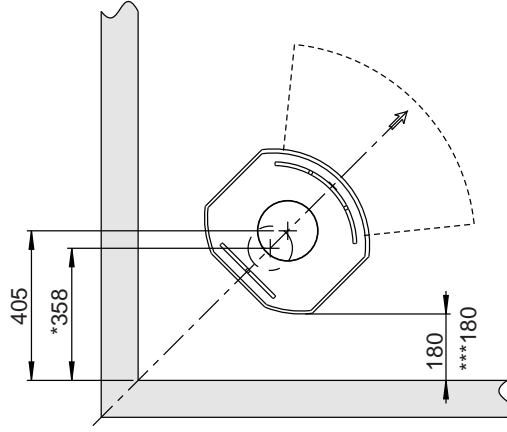
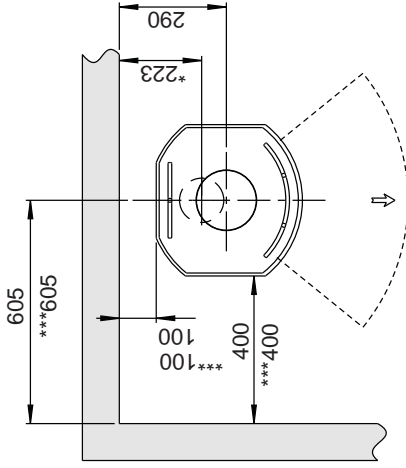
Minimale afmetingen voor de vloerplaat
X / Y in overeenstemming met nationale wet- en regelgeving



- * Externe luchtaansluiting
- ** Minimale afstand tot meubilair/ brandbare materialen
- *** De minimale afstanden tot brandbare muur gelden voor een semi-geïsoleerde schoorsteen of afgeschermde kachelpijp

Brandbare muur

Minimale afstand tot brandbare muur

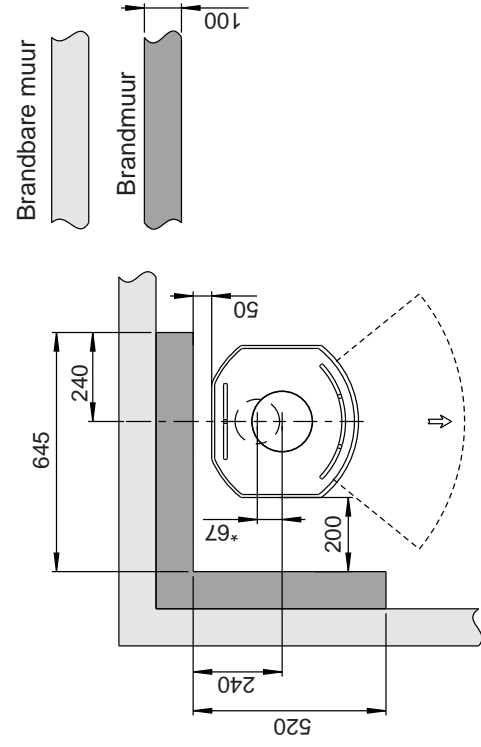
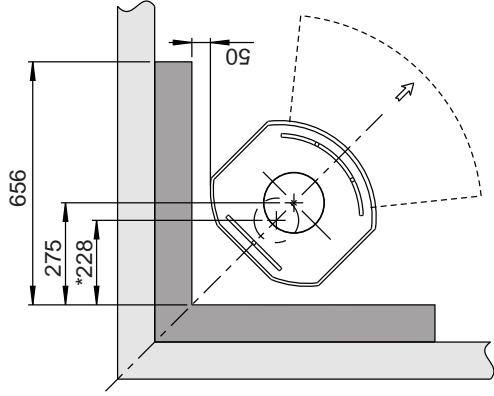
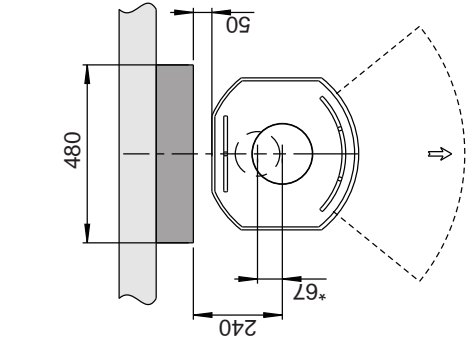


Jøtul F 130 Serien

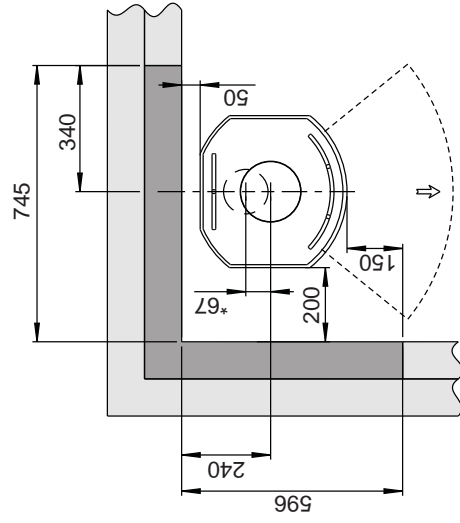
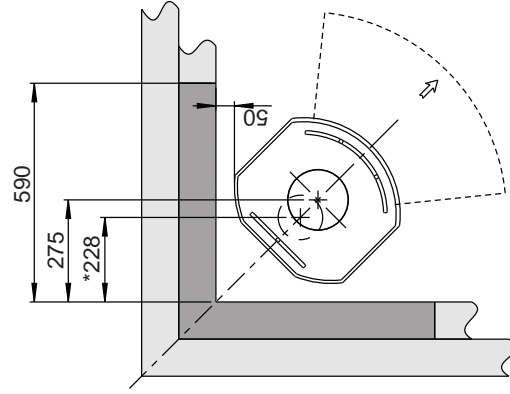
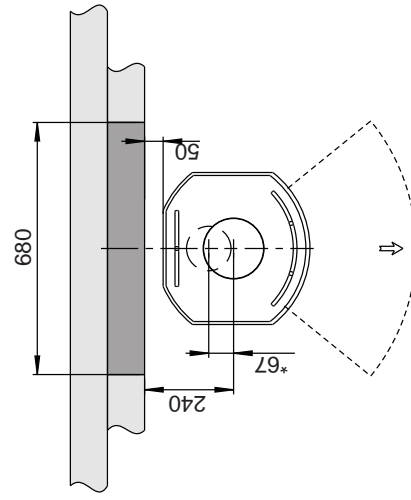
Afb. 1d

Jøtul F 135 / F 137 - minimale afstand tot brandmuur

Extern



Geïntegreerd



* Externe luchtaansluiting

900196-P00

Toevoer van frisse lucht

De lucht die gebruikt wordt voor verbranding in een goed geïsoleerd huis moet worden verversd. Dit is met name van belang voor huizen met mechanische ventilatie. Deze luchtverversing kan op een aantal manieren worden bereikt. Het belangrijkste is dat er lucht wordt aangevoerd naar de ruimte waar de kachel geplaatst is. Plaats de klep in de buitenmuur zo dicht mogelijk bij de kachel en zorg ervoor dat deze gesloten kan worden als de kachel niet gebruikt wordt.

Volg de nationale en lokale bouwvoorschriften voor het aansluiten van de toevoer van frisse lucht.

Zorg dat de ventilatieopeningen in de ruimte waar de haard zich bevindt, niet zijn geblokkeerd

Gesloten verbrandingssysteem

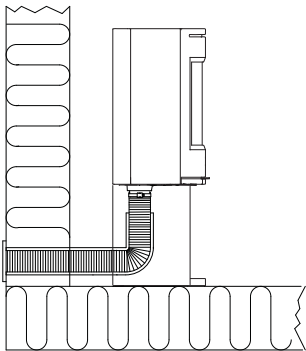
Gebruik het gesloten verbrandingssysteem van de kachel als u in een recent gebouwde, luchtdichte woning woont. Sluit de externe verbrandingslucht aan via een ventilatiepijp door de muur of de vloer.

Luchttoevoer

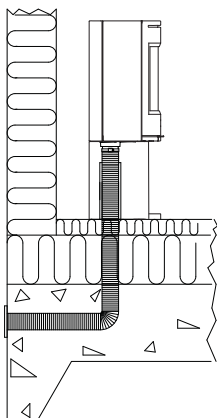
De hoeveelheid verbrandingslucht voor Jøtul-producten is ongeveer 20-40 m³/h. De externe luchtaansluiting kan direct op de Jøtul F 130 worden aangesloten door middel van:

- de bodem
- door een flexibele toevoerslang van buitenaf/schoorsteen (alleen als de schoorsteen een eigen kanaal heeft voor externe lucht) op de externe luchtaansluiting van het product.

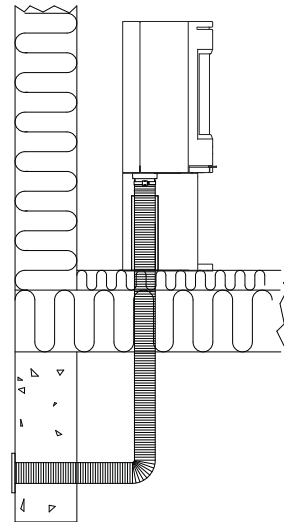
Afb. 2A, via een buitenmuur



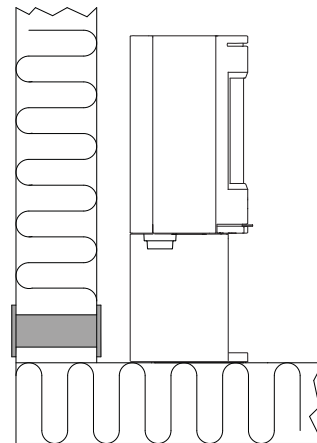
Figur 2B, via de vloer en grondplaat



Figur 2C, via de vloer en kelder



Figur 2D, indirect via een buitenmuur



NEDERLANDS

4.0 Installatie

NB: Controleer voordat u met de installatie begint of de haard onbeschadigd is.

NB: Het product is zwaar! Zorg voor hulp bij het plaatsen en installeren.

Let op! Zorg ervoor dat meubilair en andere huishoudartikelen niet zo dicht bij de kachel staan dat ze kunnen uitdrogen.

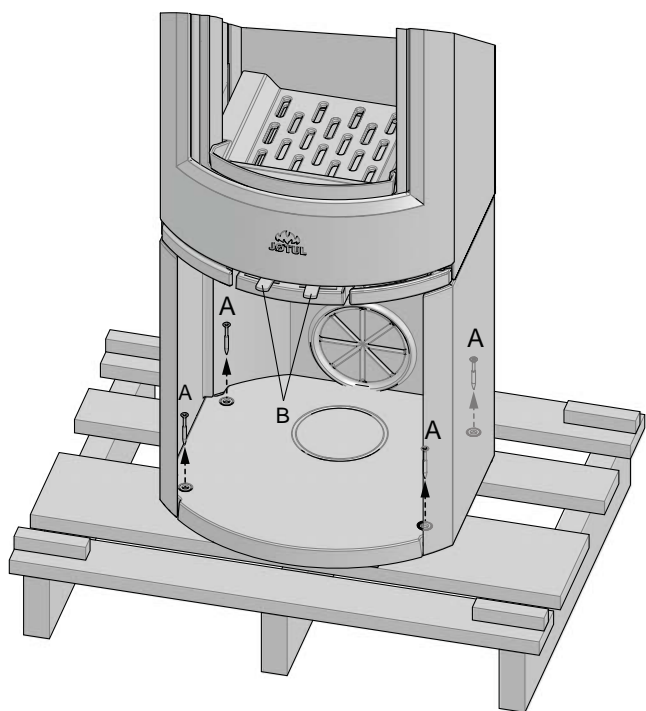
NB: Lees de installatie- en bedieningsinstructies aandachtig door voordat u de haard plaatst!

4.1 Voorafgaand aan de installatie

- Wanneer het product wordt uitgepakt, neem de aslade en de inhoud ervan, het vuur rooster, branden platen, schotten, uitlaat deflector en de afdekplaat voor de externe luchttoevoer uit de kachel, voordat de kachel voor de eerste gebruikt wordt.

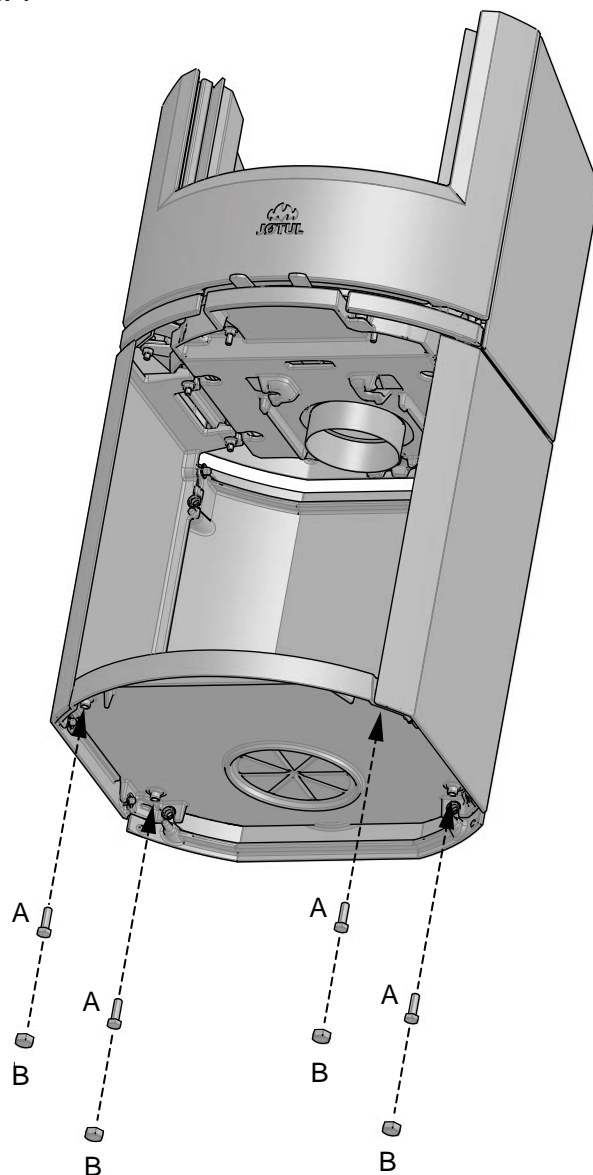
4.1 Voorbereidingen - Jøtul F 134 / F 135 met basis

Afb. 3



1. Verwijder de vier transportschroeven **(A)** waarmee de kachel is vastgezet op de houten pallet.
2. Laat de kachel op de transportpallet staan.
3. Verwijder de handschoenen uit de aslade.
4. Verwijder de keerplaat, de binnenste bodemplaat en de zak met schroeven uit de verbrandingskamer.
5. Controleer of de bedieningshendels **(B)** makkelijk bewegen.

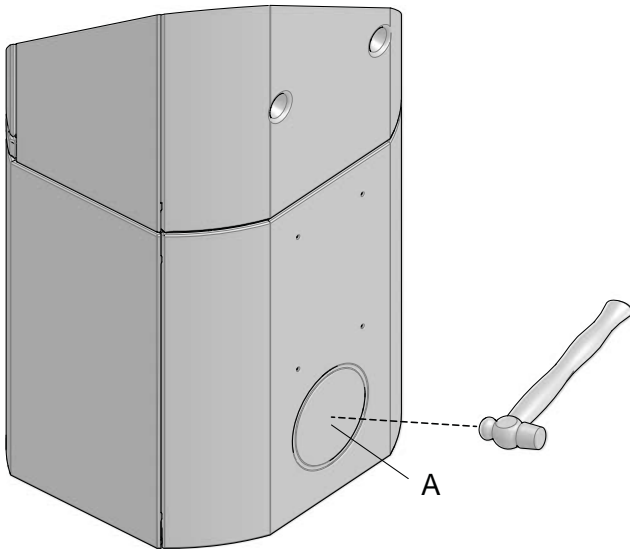
Afb. 4



6. Monteer de hoogtestelschroeven **(A)** met plastic doppen **(B)**, die in de zak met schroeven zitten. **Let op!** Indien u de glazen vloerplaat gebruikt, moet de kachel ongeveer 8 mm van de vloer worden opgetild, zodat de vloerplaat onder de voorkant van het basis kan worden geschoven.
7. Til de kachel van de pallet.
8. Zet de kachel voorlopig neer en stel de horizontale positie af met behulp van de vier hoogtestelschroeven.
9. Teken de positie op de muur af als er gebruik wordt gemaakt van een achteruitlaat voor de kachelpijp en/of de externe luchttoevoer. **Let op!** Houd rekening met de hoogte van de vloerplaat.

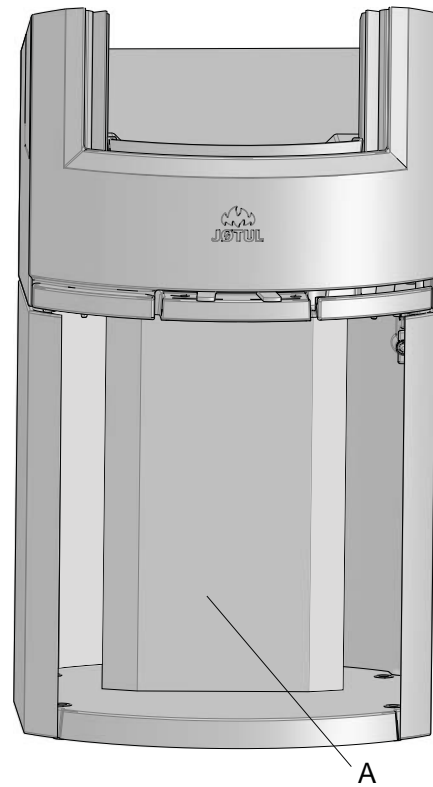
Externe luchtaansluiting door de achteruitlaat

Afb. 5



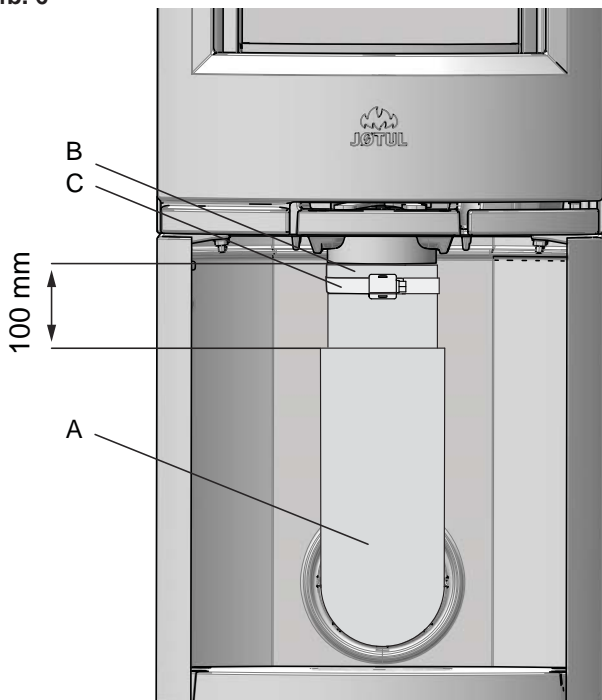
1. Als in de externe luchttoevoer moet worden voorzien door een flexibele slang (\varnothing 100 mm) aan te sluiten op de externe luchtaansluiting onder de verbrandingskamer, moet u eerst de verwijderbare afdekplaat (**A**) losslaan.

Afb. 7



3. Plaats de meegeleverde plaat (**A**) om de externe luchtslang te verbergen

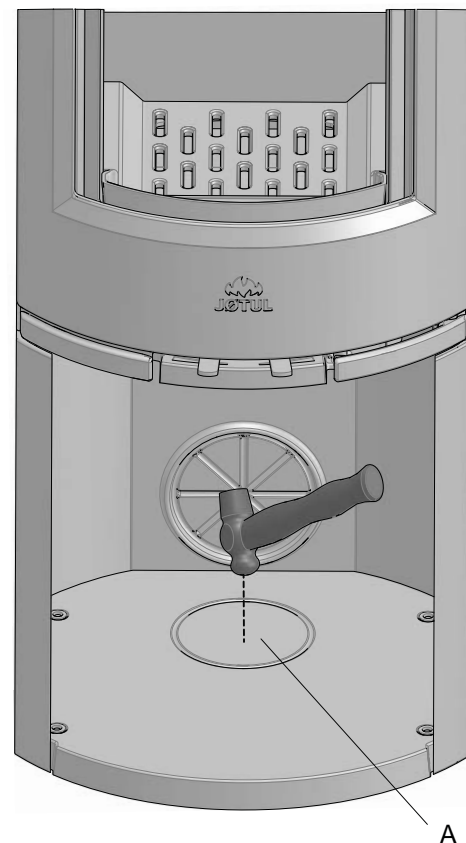
Afb. 6



2. Zie voor het bevestigen van de slang (\varnothing 100 mm) voor de buitenlucht (**A**) (optionele fitting - artikelnr. 51012164) de handleiding bij de externe luchtset. Sluit de slang met een slangklem (**C**) aan op de externe luchtaansluiting (**B**). Laat de isolatie ca. 100 mm onder de verbrandingskamer eindigen.

Externe luchtaansluiting via de basis

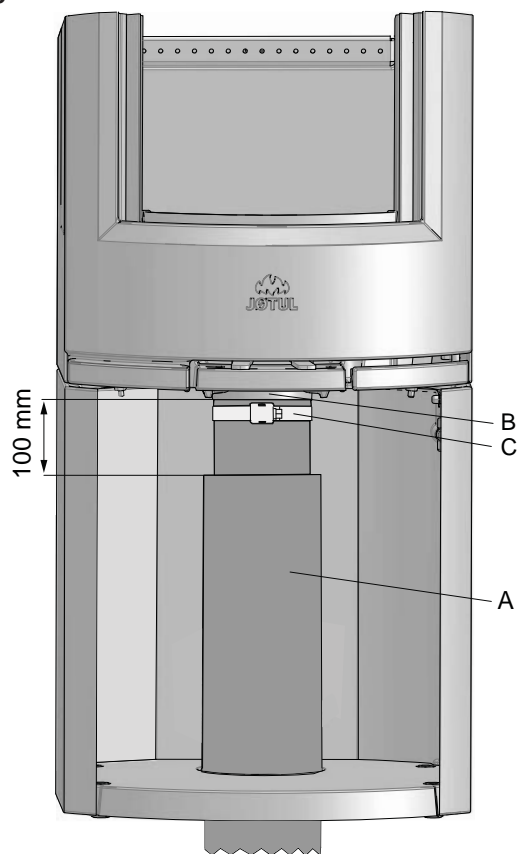
Afb. 8



4. Tik de bodemafdekking (**A**) er met een hamer uit.
5. Plaats de kachel op zijn beoogde plek. Zie **afb. 1** voor de juiste plaatsing met het oog op veilige afstanden.

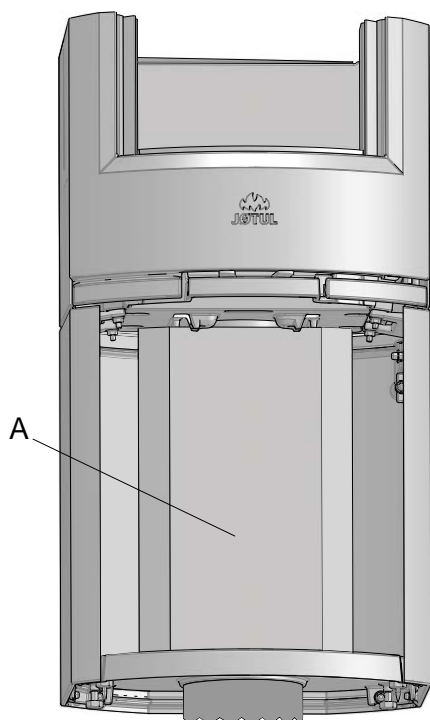
NEDERLANDS

Afb. 9



6. Zie voor het bevestigen van de slang (Ø 100 mm) voor de buitenlucht **(A)** (optionele fitting - artikelnr. 51012164) de handleiding bij de externe luchtset. Sluit de slang met een slangklem **(C)** aan op de externe luchtaansluiting **(B)**. Laat de isolatie ca. 100 mm onder de verbrandingskamer eindigen.

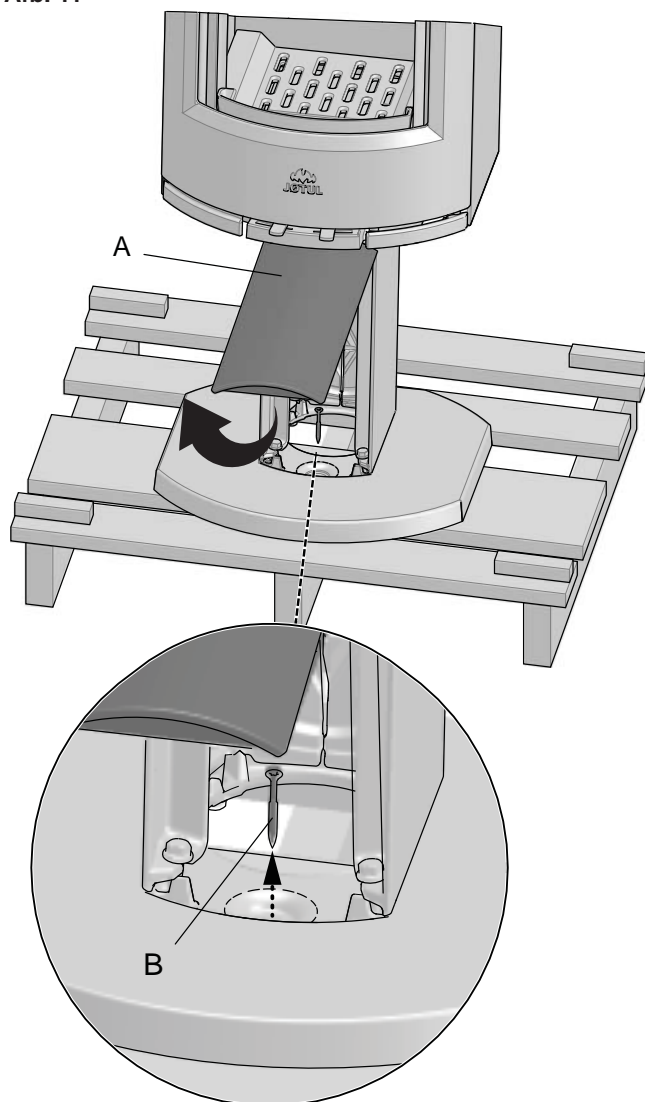
Afb. 10



7. Plaats de meegeleverde plaat **(A)** om de externe luchtslang te verbergen.

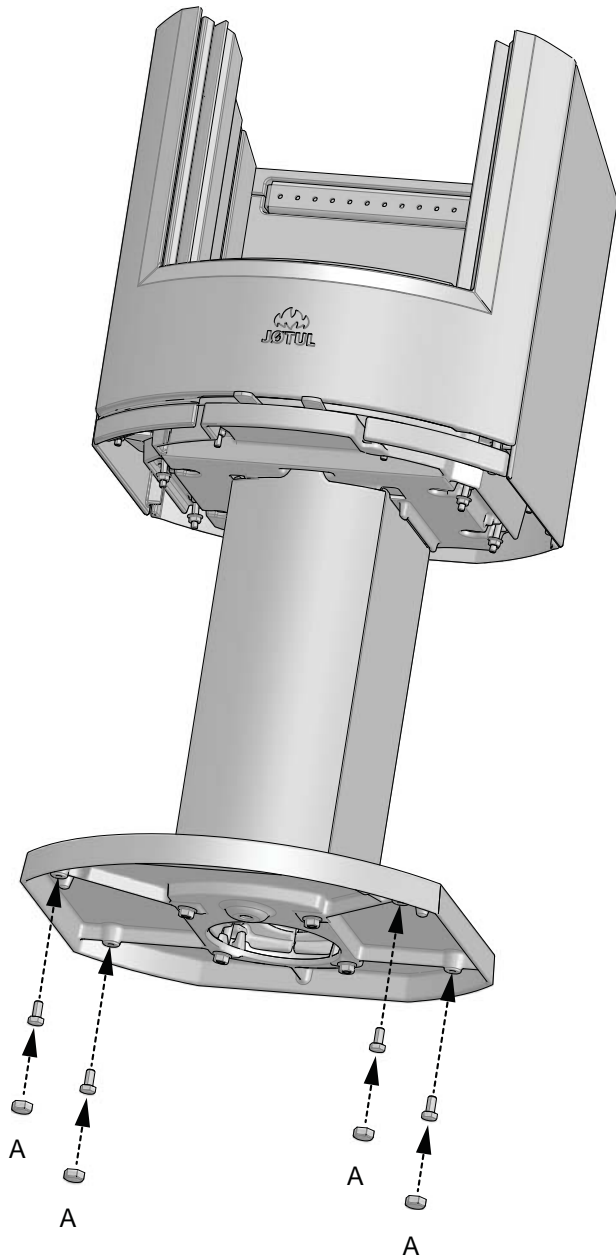
4.2 Voorbereidingen voor Jøtul F 136 / F 137 met voetstuk

Afb. 11



1. Til de voorafdekking **(A)** op het voetstuk omhoog en naar voren en leg deze opzij.
2. Draai de transportschroef **(B)** los en verwijder deze.
3. Plaats de voorafdekking **(A)** terug.
4. Til de kachel van de pallet.

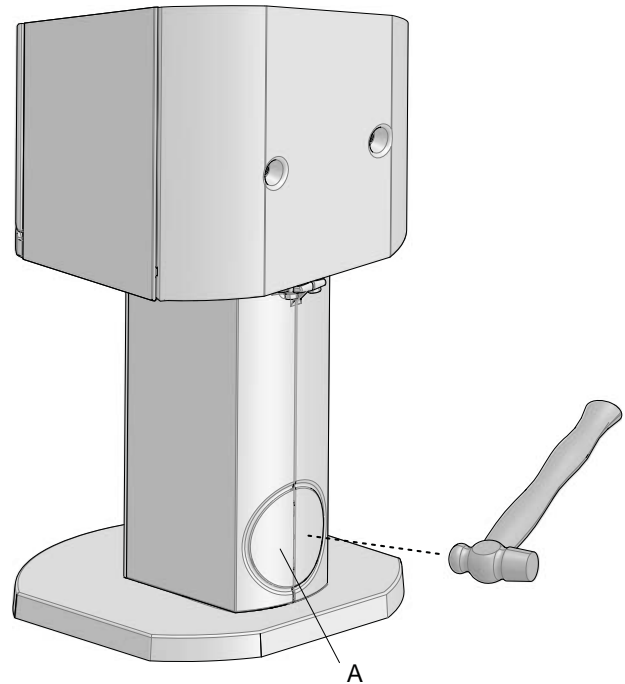
Afb. 12



1. Draai de meegeleverde hoogtestelschroeven **(A)** met plastic doppen **(B)**, die in de zak met schroeven zitten, aan. **Let op!** Indien u de glazen vloerplaat gebruikt, moet de kachel ongeveer 8 mm van de vloer worden opgetild, zodat de vloerplaat onder de voorkant van het voetstuk kan worden geschoven.

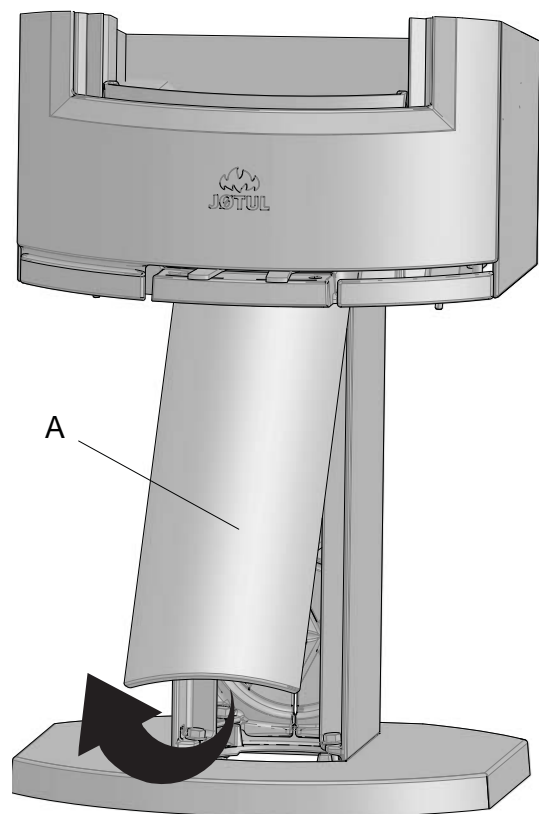
Externe luchtaansluiting door de achteruitlaat in het voetstuk

Afb. 13



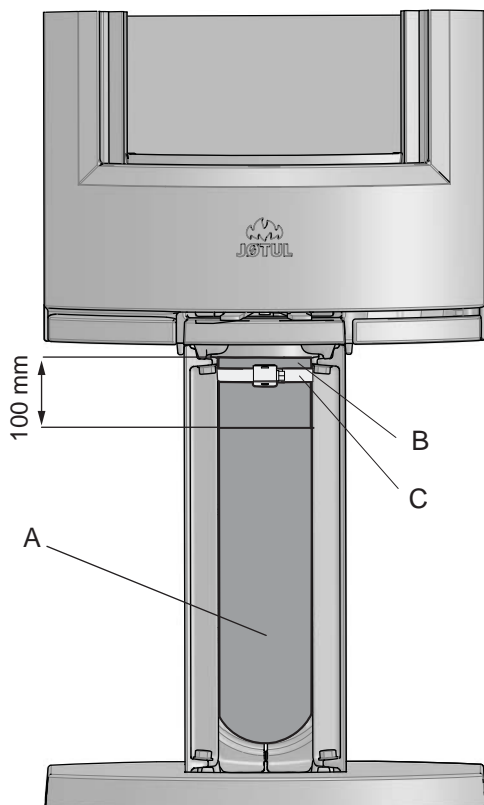
2. Tik de achterafdekking **(A)** in het voetstuk er met een hamer uit.
3. Plaats de kachel op zijn beoogde plek. Zie **afb. 1** voor de juiste plaatsing met het oog op veilige afstanden.

Afb. 14



1. Verwijder de afdekking **(A)** aan de voorkant van het voetstuk door deze omhoog en naar voren te tillen. Leg hem opzij.

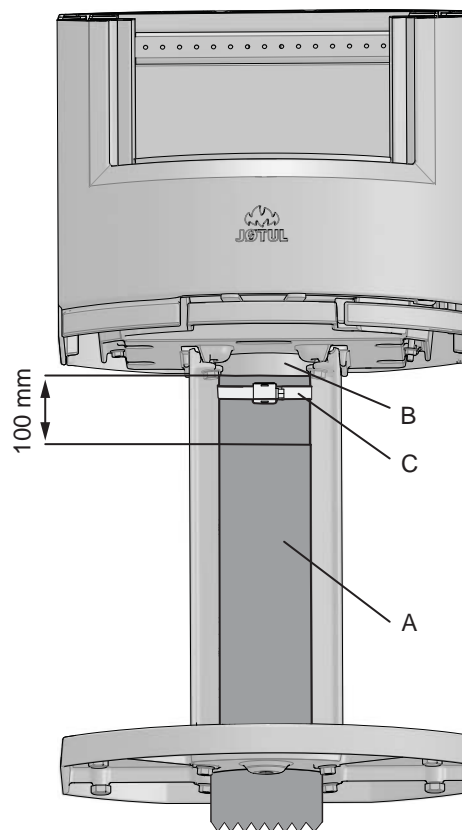
Afb. 15



2. Zie voor het bevestigen van de slang (Ø 100 mm) voor de buitenlucht (A) (optionele fitting - artikelnr. 51012164) de handleiding bij de externe luchtset. Sluit de slang met een slangklem (C) aan op de externe luchtaansluiting (B). Laat de isolatie ca. 100 mm onder de verbrandingskamer eindigen.
3. Zet de voorafdekking terug op het voetstuk.

Externe luchtaansluiting via de basis van het voetstuk

Afb. 16



1. Verwijder de afdekking (A) aan de voorkant van het voetstuk door deze omhoog en naar voren te tillen. Leg hem opzij (zie **afb. 14**).
2. Zie voor het bevestigen van de slang (Ø 100 mm) voor de buitenlucht (A) (optionele fitting - artikelnr. 51012164) de handleiding bij de externe luchtset. Sluit de slang met een slangklem (C) aan op de externe luchtaansluiting (B). Laat de isolatie ca. 100 mm onder de verbrandingskamer eindigen.
3. Zet de voorafdekking terug op het voetstuk.

4.3 Schoorsteen en kachelpijp

- De haard mag uitsluitend worden aangesloten op een schoorsteen en kachelpijp die zijn goedgekeurd voor haarden op vaste brandstof met rookgastemperaturen zoals gespecificeerd in «**2.0 Technische gegevens**».
- De doorsnede van de schoorsteen moet geschikt zijn voor een haard. Zie «**2.0 Technische gegevens**» om de juiste doorsnede van de schoorsteen te berekenen.
- De schoorsteen moet worden aangesloten in overeenstemming met de installatie-instructies van de schoorsteenleverancier.
- Voordat u een opening in de schoorsteen maakt, moet het product als proef worden gemonteerd om de juiste positie van de haard en het gat in de schoorsteen te kunnen markeren. Zie **afb. 1** voor de minimale afmetingen.
- Zorg ervoor dat de kachelpijp omhoog wijst in de richting van de schoorsteen.
- Zorg ervoor dat er naast de achteruitlaat en de uitlaat bovenin kan worden geveegd. Indien nodig moet u een kachelpijp met een veegluik gebruiken.

- **Let op:** het is zeer belangrijk dat de aansluitingen enigszins flexibel zijn. Zo voorkomt u dat kleine verplaatsingen tijdens de installatie tot vervorming of barsten leiden.
- Zie «**2.0 Technische gegevens**» voor de aanbevolen schoorsteentrek. Voor afmetingen van de kachelpijp met de relevante doorsnede, zie “**2.0 Technische gegevens**”.

NB! De minimaal aanbevolen schoorsteenlengte is 3,5 m, gemeten vanaf de ingang van de kachelpijp. Als de trek te sterk is, kan een demper worden geïnstalleerd om de trek te verminderen.

Werking tijdens verschillende weeromstandigheden

De invloed van de wind op de schoorsteen kan een grote invloed hebben op hoe de kachel onder verschillende windinvloeden reageert en het kan daarom noodzakelijk zijn om de luchttoevoer in te stellen om een goede verbranding te krijgen. Het kan een goed idee zijn om een klep in het rookkanaal te monteren om op die manier de schoorsteentrek onder wisselende windinvloeden te kunnen regelen. Mist en nevel kunnen ook een grote invloed op de schoorsteentrek hebben en het kan daarom noodzakelijk zijn andere instellingen van de verbrandingslucht te gebruiken om een goede verbranding te bereiken.

Stoken in het voorjaar en najaar

Tijdens de overgangperiode in het voorjaar of najaar is er minder behoefte aan warmte en raden wij aan om enkele top-downverbranding toe te passen, met misschien één keer opstoken om ervoor te zorgen dat de bekleding van de verbrandingskamer goed schoon brandt.

De werking van de schoorsteen

De schoorsteen is de motor van de kachel en beslissend voor de werking van de kachel. De trek van de schoorsteen geeft een onderdruk in de kachel. Deze onderdruk verwijdert de rook uit de kachel en zuigt lucht door de verbrandingsluchtklep naar de plaats waar het verbrandingsproces plaatsvindt. De verbrandingslucht wordt ook gebruikt als een „ruitspoeling“ die de ruit vrij houdt van roet.

De schoorsteentrek wordt gevormd bij het temperatuurverschil in de schoorsteen en buiten de schoorsteen. Hoe hoger het temperatuurverschil, des te beter de trek. Het is daarom belangrijk dat de schoorsteen een werkingstemperatuur bereikt, voordat men de de klepinstellingen afstelt om de verbranding in de kachel te beperken (een gemetselde schoorsteen heeft meer tijd nodig om warm te worden dan een stalen schoorsteen). Op dagen waarop vanwege het weer en de wind een slechte trek in de schoorsteen is, is het extra belangrijk om de werkingstemperatuur zo snel mogelijk te bereiken. Het gaat erom om zo snel mogelijk vlammen te krijgen. Hak het hout extra fijn, gebruik een extra aanmaakblok, etc.

Na een langere stilstandperiode is het belangrijk om te controleren of er blokkeringen in de schoorsteenbuis zijn.

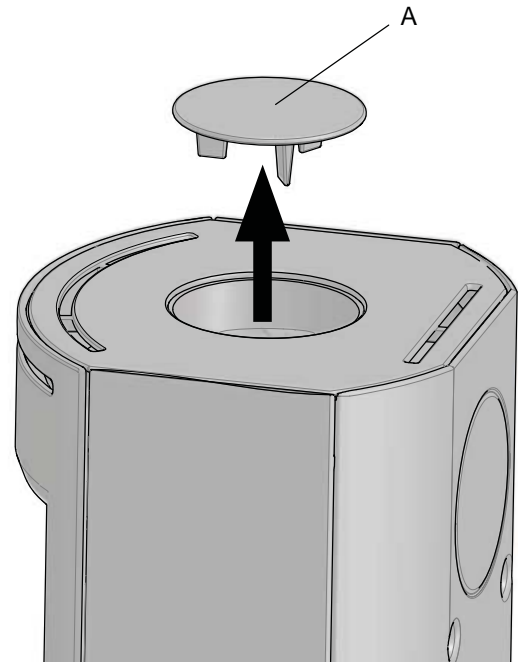
Er is een mogelijkheid om meerdere aggregaten op dezelfde schoorsteen aan te sluiten. Er moet echter eerst worden gekeken wat hiervoor de geldende regels zijn.

Zelfs een goede schoorsteen kan slecht fungeren wanneer hij verkeerd gebruikt wordt. Daarentegen kan een slechte schoorsteen goed fungeren wanneer hij goed gebruikt wordt.

4.4 Een kachelpijp met een boventuitlaat verbinden

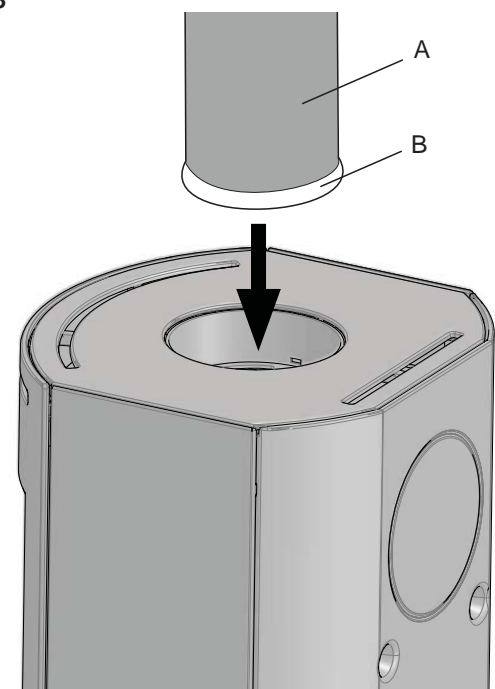
Het product wordt door de fabriek geleverd met een rookuitlaat als boventuitlaat.

Afb. 17



1. Verwijder de afdekking (A) van de rookuitlaat.

Afb. 18



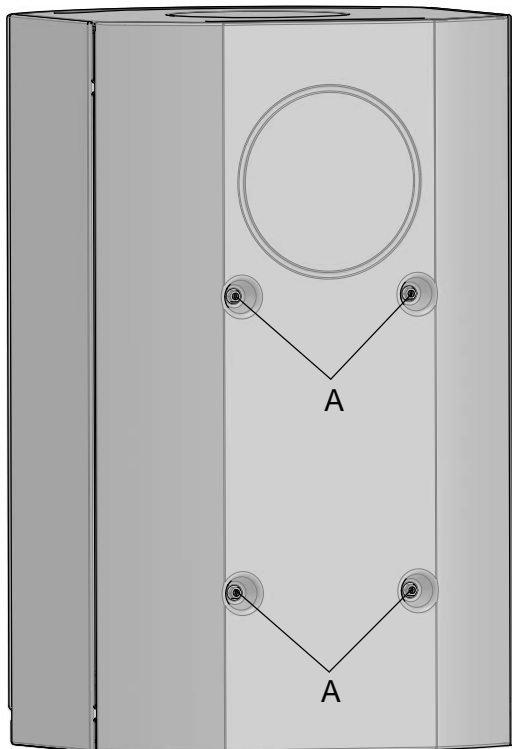
2. Plaats de pakking (B) op de rand van de kachelpijp (A).
3. Leid de kachelpijp door de bovenplaat en plaats deze in de bovenste rookuitlaat.

NEDERLANDS

4.5 Een kachelpijp met een achteruitlaat verbinden

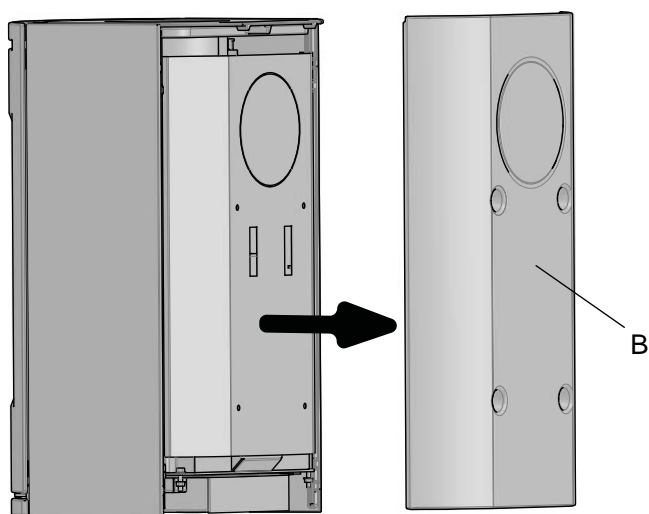
Het product wordt door de fabriek geleverd met een rookuitlaat als bovenuitlaat. Als u een achteruitlaat wilt, gaat u als volgt te werk:

Afb. 19



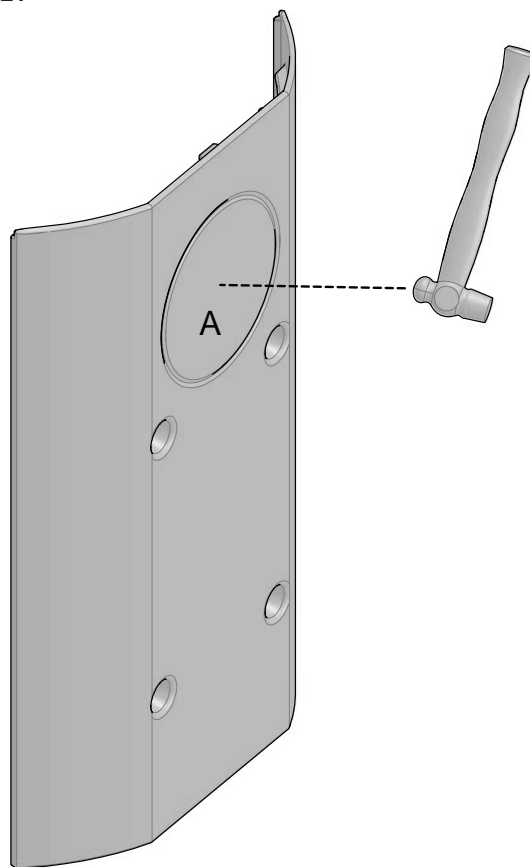
1. Verwijder de vier schroeven (A).

Afb. 20



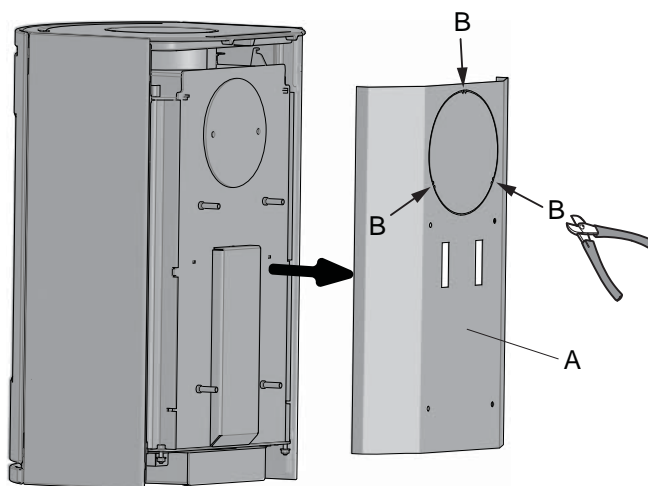
2. Haak de achterplaat (B) los.

Afb. 21



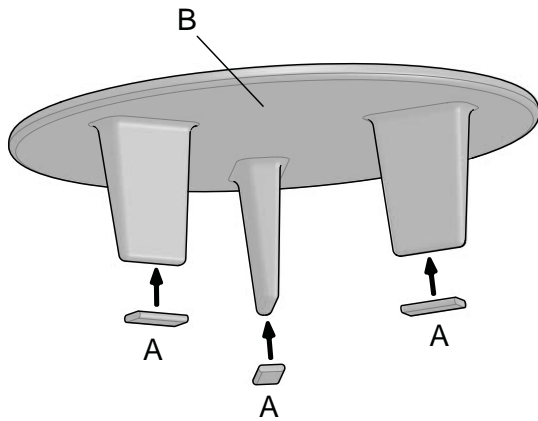
3. Tik de afdekking (A) er met een hamer uit.

Afb. 22



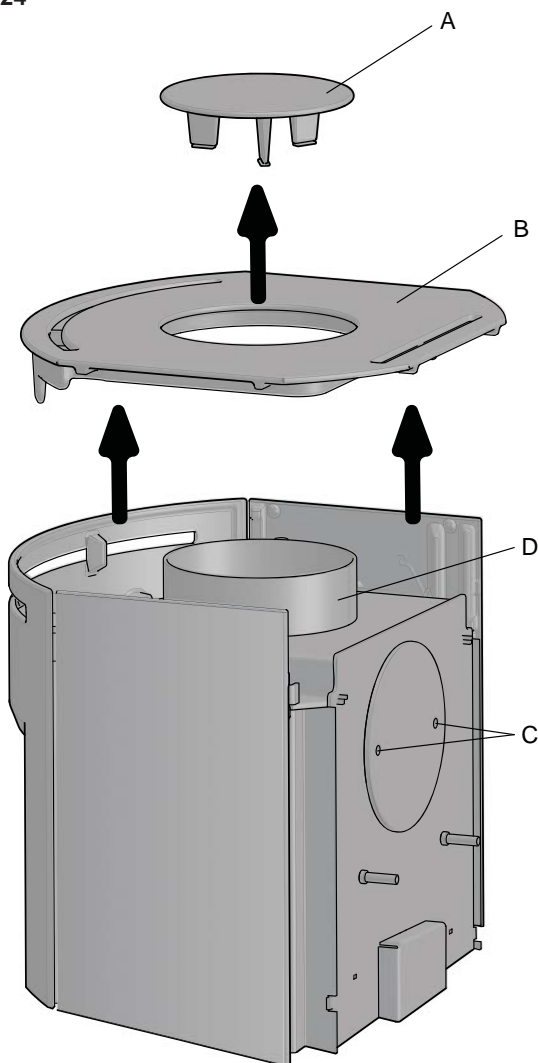
4. Til de binnenste achterplaat (A) eruit.
5. Knip vervolgens de afdekking uit op de vier aangegeven punten (B).

Afb. 23



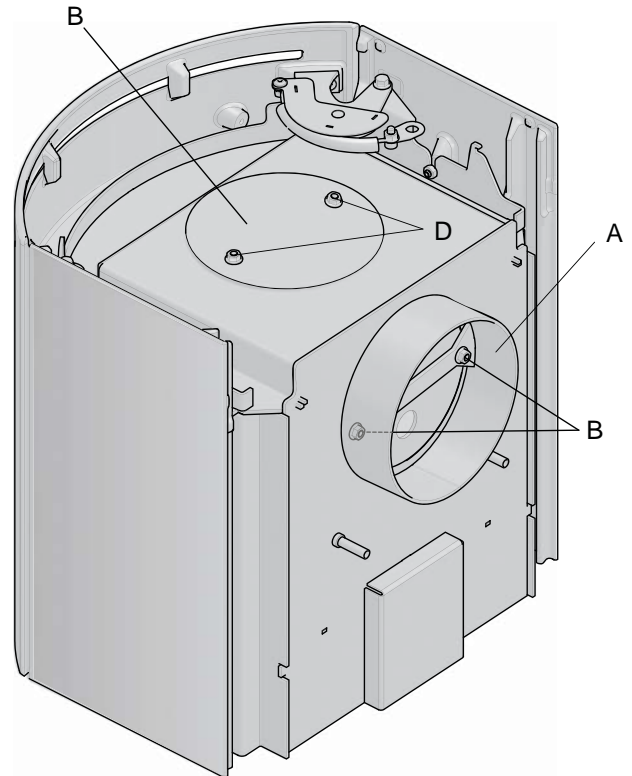
6. Snijd de meegeleverde pakking (A) in drie stukken om ze af te passen op de uitsteeksels. Plaats de pakkingen op de uiteinden van de drie uitsteeksels op de bovenafdekking (B).

Afb. 24



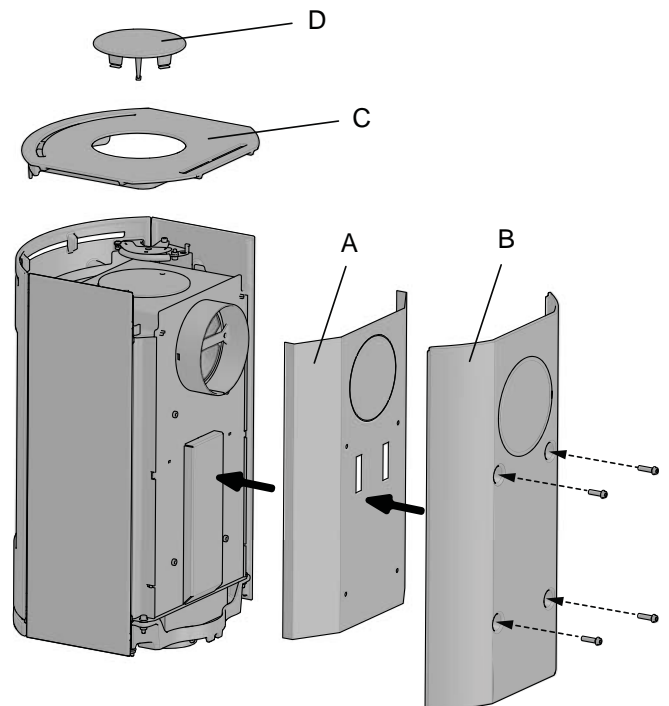
7. Til de bovenafdekking (A) en de bovenplaat (B) weg en leg ze opzij.
8. Draai de schroeven in de afdekking van de achterste rookuitlaat (C) los en verwijder de afdekking.
9. Draai de rookuitlaat (D) los.

Afb. 25



10. Bevestig de rookuitlaat (A) aan de achteruitlaat en schroef hem met dezelfde schroeven (B) vast als waarmee hij eerder was bevestigd.
11. Bevestig de afdekking van de rookuitlaat (C) aan de bovenuitlaat en schroef hem met dezelfde schroeven (D) vast als waarmee hij eerder was bevestigd.

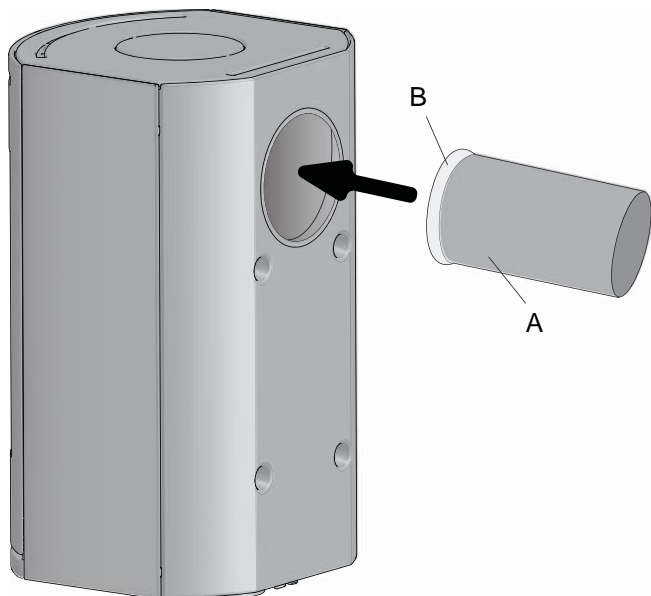
Afb. 26



12. Plaats de binnenste (A) en de buitenste achterplaten (B) op de verbrandingskamer en schroef ze met dezelfde vier schroeven vast als waarmee ze eerder waren bevestigd.
13. Plaats de bovenplaat (C) en de bovenafdekking (D).
14. Fit the top plate (C) and top cover (D).

NEDERLANDS

Afb. 27

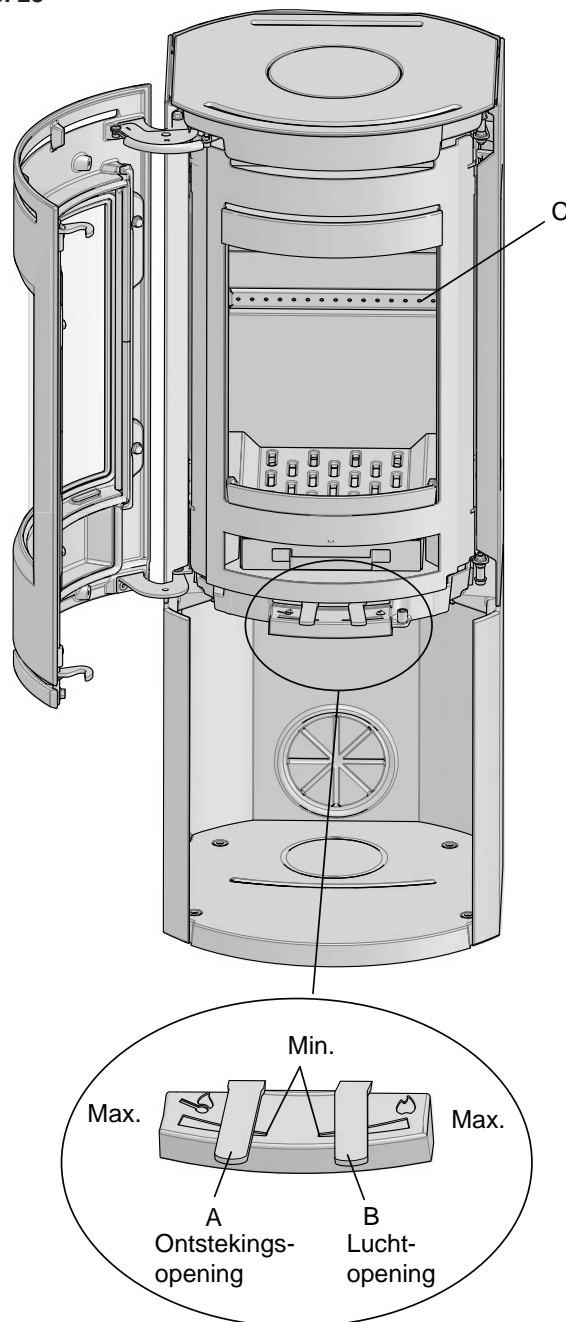


15. Plaats de pakking (B) op de rand van de kachelpijp (A).
16. Breng de kachelpijp aan in de achteruitlaat.

4.6 Prestatiecontrole

Als het product is gemonteerd, moet u altijd de bedieningshendels controleren. Deze moeten makkelijk bewegen en goed werken.

Afb. 28



The Jøtul F 130 is voorzien van de volgende bedieningsopties:

Ontstekingsopening (A)

Druk naar links: Maximum
Druk naar rechts: Minimum

Luchtopening (B)

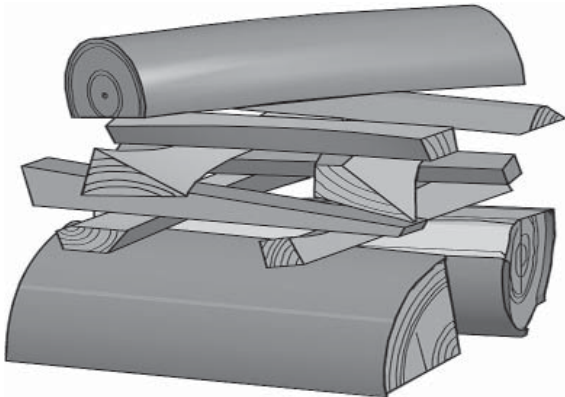
Pushed to the left: Minimum
Pushed to the right: Maximum

Stapelhoogte (C) voor hout (de gaten mogen niet worden bedekt).

4.7 Gebruiken

- Druk de schuif helemaal naar links (afb. 28). Open de luchtschuif (afb. 28) naar rechts. (Gebruik een handschoen, bijvoorbeeld als het handvat heet worden).

Afb. 29



- Plaats twee blokken op de bodem van de verbrandingskamer en stapel het aanmaakhout hier in lagen op.
- Plaats tenslotte een middelgroot blok op deze stapel.
- Plaats 2 of 3 briketten of aanmaakblokken onder de bovenste laag aanmaakhout en steek het vuur aan.
NB: De maximale hoogte van de stapel hout moet net onder de horizontale gaten blijven. De gaten mogen niet worden bedekt.
- Sluit de ontstekingsopening (Fig. 28 A) als het hout goed brandt.
- Daarna kunt u de verbranding reguleren en met behulp van de luchtopening voor meer of minder warmte zorgen (Fig. 28 B).
- Controleer of de naverbranding (secundaire verbranding) goed op gang komt. Dat is het geval als er gele, flikkerende vlammen voor de gaten onder het schot op gang komen.
- Als de luchtstroom normaal is, kunt u de deur sluiten en zal het vuur automatisch branden.
- Sluit de kacheldeur. De kacheldeur moet bij het stoken altijd dicht zijn.

Houtblokken toevoegen

Stook de kachel regelmatig op, maar gebruik alleen kleine hoeveelheden brandstof tegelijk. Als de kachel te vol is, kan de hitte voor extreme druk in de schoorsteen zorgen. Voeg altijd met mate brandstof bij. Vermijd smeulend vuur omdat dit het meest vervuilend is. Het vuur is het beste als het goed brandt en de rook uit de schoorsteen nauwelijks zichtbaar is.

Gevaar van oververhitting

De haard mag nooit zo gebruikt worden dat er oververhitting ontstaat.

Oververhitting treedt op als de haard te veel brandstof bevat en/of de luchtopening te ver openstaat zodat er te veel hitte wordt ontwikkeld. Een duidelijk teken van oververhitting is dat er onderdelen van de haard rood gloeien. Als dat gebeurt, moet u de luchtopening direct verkleinen.

Vraag om professioneel advies als u vermoedt dat er geen goede trek in de schoorsteen zit (te veel of te weinig trek). Voor meer informatie, zie «4.0 Installatie» (Schoorsteen en kachelpijp).

As verwijderen

De Jøtul F 130 heeft een aslade waarmee het eenvoudig is om as te verwijderen.

- Verwijder de as niet voordat de haard koud is.
- Schraap het as over het rooster op de bodem, zodat het as in de aslade valt. Gebruik een handschoen of iets dergelijks om uw hand te beschermen. Pak de hendel van de aslade vast en haal de aslade eruit. Zorg ervoor dat de aslade nooit zo vol is dat er geen as meer door het rooster in de aslade kan vallen.
- Zorg ervoor dat u de aslade goed aandrukt voordat u de deur sluit.

5.0 Dagelijks gebruik

Geur bij eerste gebruik van de haard

Als de haard voor de eerste keer wordt gebruikt, kan irriterend gas vrijkomen dat onaangenaam kan ruiken. Dit gebeurt omdat de verf opdroogt. Het gas is niet giftig, maar toch is het beter om de ruimte goed te ventileren. Stook het vuur flink op totdat alle sporen van gas zijn verdwenen en geen rook of geuren meer zijn waar te nemen.

Brandadvies

NB: Blokken hout die buiten of in een koude ruimte zijn opgeslagen moeten 24 uur voor gebruik naar binnen worden gehaald zodat ze op kamertemperatuur kunnen komen. Er zijn verschillende manieren waarop in de kachel gestookt kan worden, maar het is belangrijk dat u altijd voorzichtig bent met het materiaal dat u in de kachel stopt. Zie het hoofdstuk "Houtkwaliteit".

Verbranden met een slechte luchttoevoer kan leiden tot onvoldoende verbranding, een geringere energie-efficiëntie en een grotere uitstoot van deeltjes, roet en andere verbindingen die schadelijk zijn voor de gezondheid en het milieu.

Houtkwaliteit

Met kwaliteitshout bedoelen we de meest bekende soorten hout zoals berk, spar en den.

De blokken moeten goed worden gedroogd zodat er niet meer dan 20% vocht in zit.

Om dit te bereiken moet het hout aan het einde van de winter worden gehakt. De blokken moeten worden gekloofd en dusdanig worden gestapeld dat er voldoende ventilatie is. De houtstapel moet worden afgedekt om de blokken tegen regen te beschermen. De blokken moeten begin herfst naar binnen worden gehaald en worden gestapeld/opgeslagen voor gebruik in de komende winter.

Let er goed op dat u de volgende materialen nooit als brandstof voor uw haard gebruikt:

- Huishoudelijk afval, plastic tassen, enz.
- Geverfd of geïmpregneerd hout (dat is uiterst giftig).
- Gelamineerde houten planken.
- Drijfhout

Deze kunnen schade toebrengen aan het product en zijn ook vervuilend.

NB: Gebruik nooit benzine, paraffine, methylalcohol of

NEDERLANDS

dergelijke vloeistoffen om het vuur aan te steken. Dit kan leiden tot ernstig persoonlijk letsel en schade aan het product.

Brandstofverbruik

De Jøtul F 130 heeft door zijn efficiëntie een nominale capaciteit van 4,7 kW. Benodigde hoeveelheid hout voor nominale warmteafgifte: ongeveer 1,25 kg per uur. Een andere belangrijke factor voor het brandstofverbruik is dat het brandhout het juiste formaat heeft. Het brandhout moet het volgende formaat hebben:

Aanmaakhout:

| | |
|-----------------------|------------|
| Lengte: | Max. 20 cm |
| Diameter: | 2-4 cm |
| Hoeveelheid per vuur: | 6-8 stuks |

Brandhout (gehakte blokken):

| | |
|--|-----------------------------|
| Diameter: | Ongeveer 8 cm |
| Intervallen voor het aanvullen van het hout: | Ongeveer iedere 45 minuten |
| Grootte van het vuur: | 1,25 kg (nominale vermogen) |
| Hoeveelheid per lading: | 2 stuks |

Het nominale vermogen wordt bereikt als de ontstekingsopening ongeveer 30 % is geopend (**afb. 27 A**). Het max. vermogen wordt bereikt als de luchtopening ongeveer 100 % is geopend.

6.0 Onderhoud

6.1 Glas reinigen

De haard is uitgerust met een ventilatieopening voor het glas. Lucht wordt aangezogen door de luchttoevoer boven de haard en stroomt langs de binnenkant van het glas naar beneden.

Toch zal zich altijd wel roet op het glas ophopen. De hoeveelheid is afhankelijk van de luchtstroom ter plaatse en de stand van de ventilatieopening. De roetlaag wordt gewoonlijk grotendeels weggebrand wanneer de ventilatieopening helemaal open staat en de haard flink brandt.

Goed advies! Maak voor een gewone schoonmaakbeurt een papieren handdoek nat met warm water en voeg er wat as uit de stookplaats aan toe. Wrijf met het papier over het glas en neem het glas daarna af met schoon water. Laat het glas goed drogen. Wanneer het glas grondig moet worden gereinigd, adviseren wij om glasreiniger te gebruiken (*volg de gebruiksaanwijzing op de verpakking*).

6.2 Schoonmaken en verwijderen van roet

Tijdens gebruik kan zich roet afzetten op de binnenwanden van de haard. Roet werkt isolerend en kan daardoor de warmteafgifte van de haard verminderen. Als er zich te veel roet ophoopt, kunt u dit met een roetverwijderaar eenvoudig verwijderen.

Als u wilt voorkomen dat zich roet of een teerlaag ophoopt in de haard, moet u regelmatig flink stoken om de gevormde laag te verwijderen. Een jaarlijkse schoonmaakbeurt van de binnenkant is nodig voor een optimale warmteafgifte van uw product. Het is verstandig dit gelijktijdig te doen met het schoonmaken van de schoorsteen en de kachelpijp.

6.3 Kachelpijpen vegen tot aan de schoorsteen

Kachelpijpen moeten worden geveegd via een veegluik voor de kachelpijp of via de deuropening.

Eerst moet een van de schotten worden verwijderd om dit te kunnen doen.

6.4 Inspectie van de haard

Jøtul raadt u aan om na het reinigen/vegen zelf een grondige inspectie van de haard uit te voeren. Controleer alle zichtbare oppervlakken op scheuren. Controleer ook of alle verbindingstukken goed zijn afgesloten en of de pakkingen zich in de juiste positie bevinden. Een pakking die tekenen van slijtage of vervorming vertoont, moet worden vervangen.

Maak de groeven van de pakking grondig schoon, breng keramische lijm aan (verkrijgbaar bij uw lokale Jøtul-dealer) en druk de pakking stevig aan. De lijm heeft een korte droogtijd.

6.5 De buitenkant onderhouden

Bij **gelakte producten** kan er na een paar jaar verkleuring optreden. Voordat u een nieuwe laag verf aanbrengt, moet u het oppervlak reinigen en alle losse deeltjes wegvegen.

Geëmailleerde haarden moet u alleen met een schone, droge doek afnemen. Gebruik geen water en zeep. Eventuele vlekken kunt u met een vloeibaar reinigingsmiddel verwijderen (*zoals een ovenreiniger*).

Belangrijk: Plaats nooit iets op de bovenplaat van de kachel. Dit kan schade tot gevolg hebben bij de emaille of verf.

7.0 Groot onderhoud

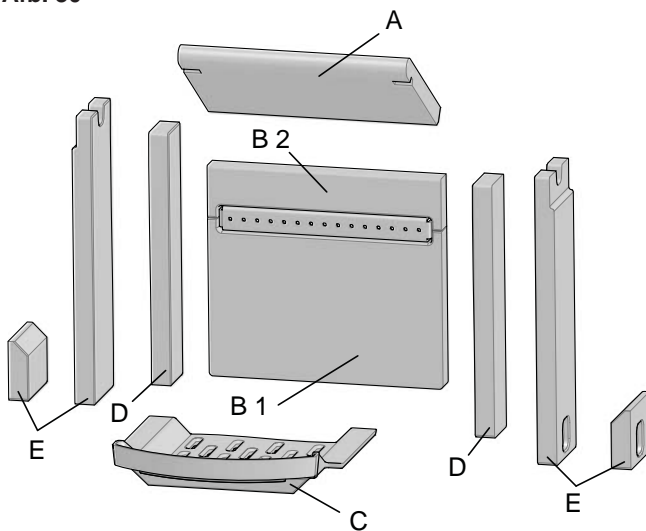
Waarschuwing! Er mogen geen wijzigingen aan het product worden uitgevoerd die niet door ons zijn goedgekeurd!

Gebruik uitsluitend originele reserveonderdelen!

7.1 Onderhoud/onderdelen vervangen in de verbrandingskamer

NB: Wees uiterst voorzichtig met het gereedschap! De vermiculietplaten kunnen beschadigd raken als u ze ruw behandelt.

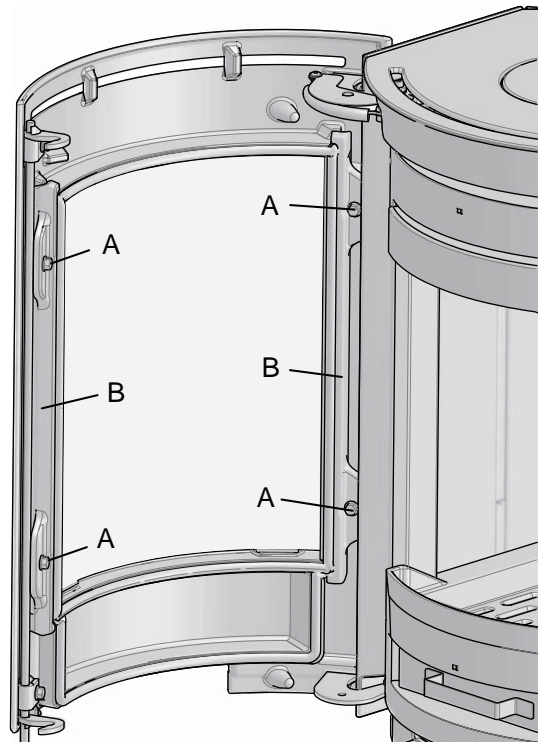
Afb. 30



1. Keerplaat: Til de achterrand van de keerplaat (A) omhoog en omlaag en draai deze uit de verbrandingskamer.
2. Til het asrooster (C) op en verwijder dit uit de verbrandingskamer.
3. Verwijder de zijbrandplaat (platen) (D).
4. Verwijder de zijbrandplaat (platen) (E) (de lange zijbrandplaten zijn voor modellen zonder zijruiten, terwijl de korte bestemd zijn voor modellen met zijruiten).
5. Verwijder de achterste brandplaat (B).

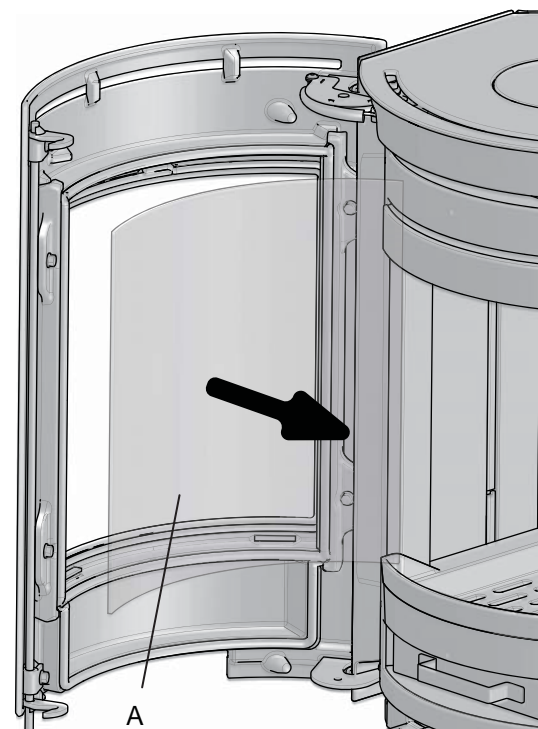
7.2 Glas en pakking in de deur vervangen

Afb. 31

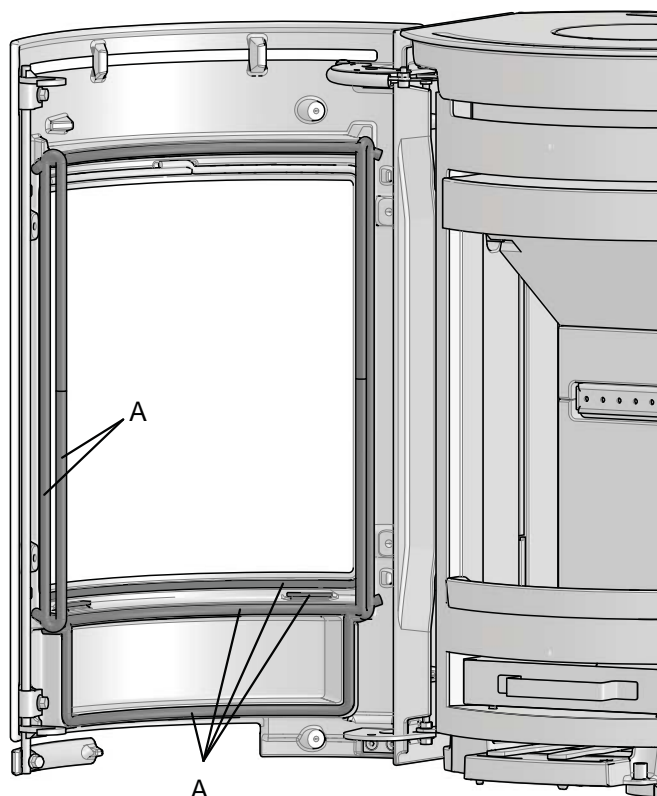


1. Verwijder de vier schroeven (A) waarmee de beugels (B) aan de deur zijn bevestigd.
2. Verwijder de beugels.

Afb. 32



3. Til voorzichtig de glazen deur (A) eruit.



4. Verwijder de pakkingen (**A**) van de deur. Maak de groef van pakking grondig schoon en lijm nieuwe pakkingen vast.
5. Zet het deurglas (**afb. 32**) en de beugels (**afb. 31**) terug nadat alle beschadigde pakkingen zijn vervangen.

8.0 Optionele extra's

8.1 Externe luchtaansluiting

Ø 100mm -

Cat. nr. 51012164

9.0 Gebruiksproblemen - problemen oplossen

Slechte trek

Controleer de lengte van de schoorsteen en of hij voldoet aan de geldende wetten en voorschriften.

Zorg ervoor dat de minimale afmetingen van de schoorsteen overeenkomen met de beschrijving in «**2.0 Technische gegevens**».

Controleer of de afvoer van gassen niet wordt belemmerd, zoals bijvoorbeeld door takken of bomen, enzovoort.

Als u vermoedt dat de schoorsteen overmatig of onvoldoende trekt, neemt u contact op met een deskundige die maatregelen kan nemen.

Het vuur gaat na enige tijd uit

- Controleer of het brandhout droog genoeg is.
- Controleer of er onderdruk is in de woning, sluit mechanische ventilatiesystemen en open een raam dicht bij de haard.
- Controleer of de ventilatieopening is geopend.
- Controleer of de kachelpijp niet verstopt is met roet.

Als er zich een ongebruikelijke hoeveelheid roet ophoopt op het glas

Er zal zich altijd roet ophopen op het glas, maar de hoeveelheid is afhankelijk van:

- De vochtigheid van de brandstof.
- De luchtstroom ter plaatse.
- De instelling van de ventilatieopening.

De roetlaag wordt gewoonlijk grotendeels weggebrand wanneer de ventilatieopening helemaal open staat en de haard flink brandt.

10.0 Recycling

10.1 Recyclen van de verpakking

- Uw kachel wordt in de volgende verpakking geleverd:
- Een houten pallet dat in stukken gesneden en in de kachel verbrand kan worden.
- Een kartonnen verpakking die naar een plaatselijke faciliteit voor recyclen van materialen gebracht moet worden.
- Plastic zakken die naar een plaatselijke faciliteit voor recyclen van materialen gebracht moet worden.

10.2 Recyclen van de kachel

De kachel is gemaakt van:

- Metaal dat naar een plaatselijke faciliteit voor recyclen van materialen gebracht moet worden.
- Glas dat afgedankt moet worden als gevaarlijk afval. Het glas van de kachel mag niet via het normale gescheiden afval worden afgedankt.
- Platen in de verbrandingskamer van vermiculiet die via het normale afval mogen worden afgedankt.

11.0 Garantievoorwaarden

1. Onze garantie dekt:

Jøtul AS garandeert dat de externe gietijzeren onderdelen vrij zijn van materiaal- en fabricagefouten op het moment van aankoop. U kunt de garantie op de externe gietijzeren onderdelen verlengen tot 25 jaar na de leverdatum door het product te registreren op jotul.com en het bewijs van deze verlengde garantie binnen drie maanden na aankoop uit te printen. We adviseren u het garantiebewijs samen met de aankoopbon te bewaren. Jøtul AS garandeert tevens dat de staalplaten onderdelen vrij zijn van materiaal- en fabricagefouten op het moment van aankoop en tot 5 jaar na de leverdatum.

Deze garantie geldt op voorwaarde dat de kachel is geïnstalleerd door een erkende installateur, overeenkomstig de geldende wet- en regelgeving en Jøtul's installatie- en gebruiksinstructies. Gerepareerde producten en vervangende onderdelen vallen onder de garantie gedurende het resterende deel van de oorspronkelijke garantieperiode.

2. De garantie dekt niet:

- 2.1. Schade aan verbruiksonderdelen zoals brandplaten, vuurroosters, keerschotten, ringen en vergelijkbare onderdelen, aangezien deze onderhevig zijn aan normale slijtage.
- 2.2. Schade veroorzaakt door onjuist onderhoud, oververhitting, gebruik van ongeschikte brandstof (waaronder begrepen maar niet beperkt tot drijfhout, geïmpregneerd hout, houtafval, spaanplaat) of te vochtig hout.
- 2.3. Installatie van optionele extra's teneinde de trek, luchttoevoer en andere externe factoren buiten de invloedssfeer van Jøtul te verbeteren.
- 2.4. Aanpassingen of wijzigingen aan de haard zonder toestemming van Jøtul of het gebruik van niet-originele onderdelen.

- 2.5. Schade veroorzaakt tijdens opslag bij een distributeur, transport vanaf een distributeur of tijdens de installatie
- 2.6. Producten verkocht door niet-erkende verkopers in regio's waar Jøtul met een selectief distributiesysteem werkt.
- 2.7. Bijbehorende kosten (waaronder begrepen maar niet beperkt tot transport-, arbeids- en reiskosten) of indirecte schade.

Voor pelletkachels, glas, steen, beton, email en lak (waaronder begrepen maar niet beperkt tot breuken, scheuren, barsten, blaasjes, verkleuring of craquelé) geldt de nationale wetgeving die van toepassing is op de verkoop van consumentengoederen. Deze garantie is geldig voor aankopen gedaan binnen de Europese Economische Ruimte. Alle garantieaanspraken dienen binnen een redelijke termijn te worden gericht aan uw lokale erkende Jøtul-dealer, uiterlijk 14 dagen nadat de fout of het gebrek is geconstateerd. Zie onze website www.jotul.com voor een overzicht van importeurs en dealers.

Wanneer Jøtul niet is staat is om zijn verplichtingen na te komen zoals vermeldt in bovenstaande garantie voorwaarden, Jøtul zal dan een alternatief product kosteloos aanbieden met gelijke verwarmingscapaciteit.

Jøtul behoudt zich het recht voor af te zien van reparatie of vervanging van onderdelen in het geval dat de garantie niet online is geregistreerd. Deze garantie doet geen afbreuk aan enig recht krachtens de geldende nationale wetgeving van toepassing op de verkoop van consumentengoederen. Het nationale reclamerecht geldt vanaf de aankoopdatum en uitsluitend onder overlegging van een aankoopbon/serienummer.

Sluttkontroll av ildsteder

Quality control of stoves and fireplaces

Checked

| Utført | Kontrollpunkt | Controlled item |
|--------|--|--|
| ✓ | Alle deler er med i produktet (ifølge struktur). | All parts are included. |
| ✓ | Alle festemidler er av korrekt type, og er korrekt anvendt. | Correct fastener items have been used and correctly applied. |
| ✓ | Overflater er i samsvar med Jøtuls kvalitetsstandarder. | Surfaces comply with Jøtul workmanship standards. |
| ✓ | Lukkemekanismer fungerer som de skal, og uten behov for unødige stor kraft. | Door locking mechanisms function correctly; excessive force is not needed. |
| ✓ | Produktet/serien møter kravet for lekkasjetest. | The product/lot complies with the leakage test requirement. |
| ✓ | Lakkerte/emaljerte overflater møter kravene i Jøtuls kvalitetsstandarder. | Paint/enamel surface finish complies with Jøtul workmanship standards. |
| ✓ | Produktet er fritt for utvendig kitt- eller limklin. | Surfaces are not contaminated by external stove cement or glue. |
| ✓ | Produktet har ingen sprekker i glass, støpejern eller andre deler. | There are no cracks in glass, cast iron or other parts. |
| ✓ | Pakninger er riktig lagt, og skjemmer ikke produktet ved stygge ender eller ved at pakningen er unødig synlig. | Gaskets are correctly applied and do not degrade product appearance (i.e. loose ends or excessive visible exposure). |
| ✓ | Dørpakninger er godt limt. | Door gaskets are firmly glued/ fixed to the door. |
| ✓ | Dørpakninger har tilfredsstillende pakningstrykk. | Door gaskets provide satisfactory sealing. |
| ✓ | Sjekk at det ikke "lyser gjennom" i dørpakning eller andre sammenføyninger. | Check for "light through" at door seals and other relevant locations. |
| ✓ | Trekkhender osv fungerer normalt. | The function of air valve handle etc is normal. |

| | |
|---|--|
| Jøtul bekrefter herved at dette produktet er kontrollert og funnet å være i samsvar med våre kvalitetsnormer. | Jøtul hereby confirm that this product has been QC inspected and found to comply with our quality standards. |
| Lot. No. / Serie nr. - Checked by / kontrollert av | |

Cat.no. 10051536 -P02
Jøtul AS, Nov, 2017

Jøtul pursue a policy of constant product development. Products supplied may therefore differ in specification, colour and type of accessories from those illustrated and described in the brochure.

Jøtul vise sans cesse à améliorer ses produits. C'est pourquoi, il se réserve le droit de modifier les spécifications, couleurs et équipements sans avis préalable.

Jøtul een beleid van voortdurende productontwikkeling. Geleverde producten kunnen daarom veranderen in technische specificatie, kleur en type van de accessoires die geïllustreerd en beschreven zijn in de brochure.

Quality

Jøtul AS has a quality system that conforms to NS-EN ISO 9001 for product development, manufacturing, and distribution of stoves and fireplaces. This policy gives our customers quality and safety piece of mind as a result of Jøtul's vast experience dating back to when the company first started in 1853.

Qualité

Le système de contrôle de la qualité de Jøtul AS est conforme à la norme NS-EN ISO 9001 relative à la conception, à la fabrication et à la distribution de poêles, foyers et inserts. Cette politique nous permet d'offrir à nos clients une qualité et une sécurité reposant sur la vaste expérience accumulée par Jøtul depuis sa création en 1853.

Kwaliteit

Jøtul AS heeft een kwaliteitssysteem dat voldoet aan de NS-EN ISO 9001 voor productontwikkeling, productie en distributie van kachels en haarden. Dit beleid geeft onze klanten de kwaliteit en veiligheid en rust, door de enorme ervaring van Jøtul's die dateert toen het bedrijf begon in 1853.



Jøtul AS,
P.o. box 1411
N-1602 Fredrikstad,
Norway
www.jotul.com