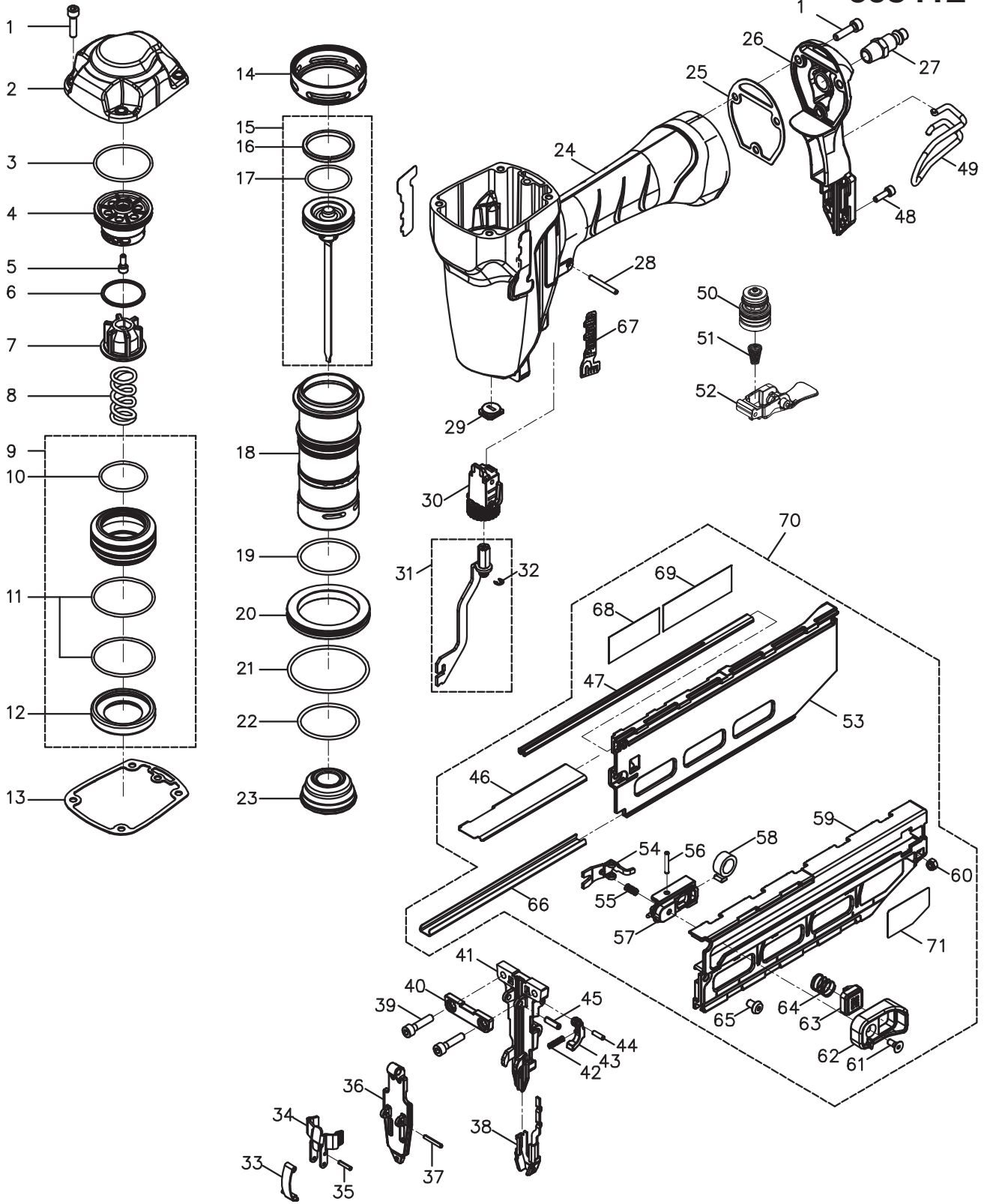


FN1665.2 605412



FN1665.2 605412

N°	Code	Qty	Name	N°	Code	Qty	Name
1	515501	7	Hex. Soc. Hd. Bolt	37	515537	1	Spring Pin
2	515502	1	Cap	38	515538	1	WCE
3	515503	1	O-Ring	39	515539	2	Hex. Soc.Hd. Bolt
4	515504	1	Top Cap Ring	40	515540	1	Set Plate
5	515505	1	Hex. Soc. Hd. Bolt	41	577030	1	Nose
6	515506	1	Spacer	42	617456	1	Spring
7	515507	1	Piston Stopper	43	515543	1	Lock-out Lever
8	515508	1	Spring	44	515544	1	Spring Pin
9	515509	1	Head Valve Assembly	45	515545	1	Spring Pin
10	515510	1	O-Ring	46	515546	1	Upper Plate
11	515511	2	O-Ring	47	515547	1	Nail Guide
12	515512	1	Seal	48	515548	2	Hex. Soc.Hd. Bolt
13	515513	1	Top Cap Seal	49	515549	1	Belt Hook
14	515514	1	Collar	50	515550	1	Trigger Valve Assembly
15	515515	1	Driver Blade Assembly	51	617780	1	Spring
16	515516	1	Wear-Ring	52	515552	1	Selectable Trigger
17	515517	1	O-Ring	53	515553	1	Magazine (Right)
18	515518	1	Cylinder	54	515554	1	Pusher
19	515519	1	O-Ring	55	515555	1	Spring
20	515520	1	Cylinder-Ring	56	515556	1	Spring Pin
21	515521	1	O-Ring	57	515557	1	Pusher Seat Assembly
22	515522	1	O-Ring	58	515558	1	Roll Spring
23	515523	1	Bumper	59	515559	1	Magazine (Left)
24	515524	1	Housing	60	515560	2	Lock Nut
25	515525	1	End Cap Seal	61	515561	1	Flat self-tapping Bolt
26	577028	1	End Cap	62	515562	1	Pusher Upper seat
27	577029	1	Air Plug	63	515563	1	Push Button
28	515528	4	Spring Pin	64	515564	1	Spring
29	515529	1	Bumper Seal	65	515565	2	UM. HD. Bolt
30	515530	1	Depth of Drive A	66	515566	1	Lower Plate
31	515531	1	WCE Connector	67	515567	2	Logo Label
32	403713	1	E-Ring	68	577031	1	Warning Label
33	515533	1	Latch Spring Assembly	69	577032	1	Model Label
34	515534	1	Latch	70	515570	1	Magazine Assembly
35	515535	1	Spring Pin	71	515571	1	Lock Label
36	515536	1	Door				