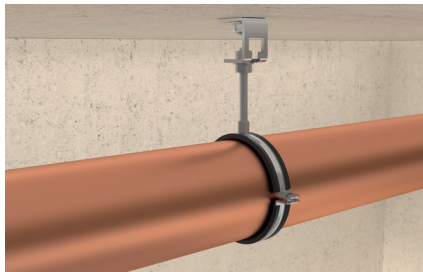
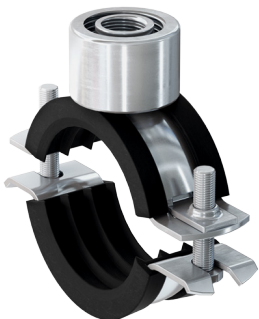


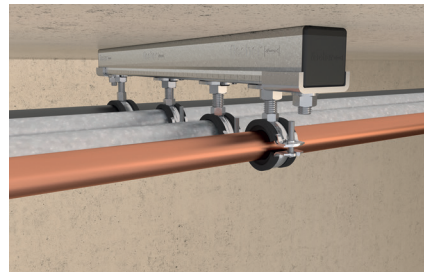
Pipe clamp FRS Triple

The two-screw pipe clamp with rapid-locking mechanism and triple connecting nut

2a



Height adjustable pipe installation



Drainage pipe assembly

Applications

- For simple and easy fixing of pipelines with threaded rods or hanger bolts

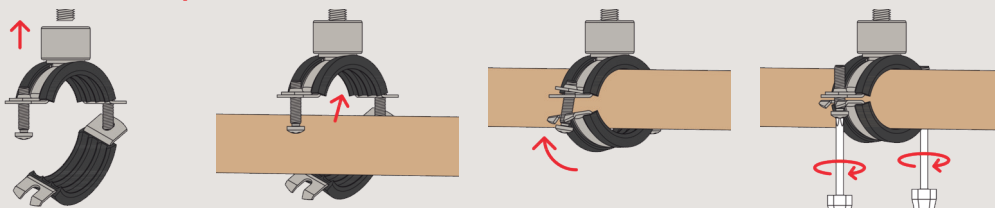
Advantages/Benefits

- The connecting nut with combination thread M8 / M10 / 1/2" allows for optimised mounting positioning.
- The rapid-locking mechanism allows for fast and time-saving installation.
- The tight fit of the sound insulation insert prevents it from falling out when aligning the pipe.
- The two screws allow for ideal adaptation to suit the outer pipe diameter.

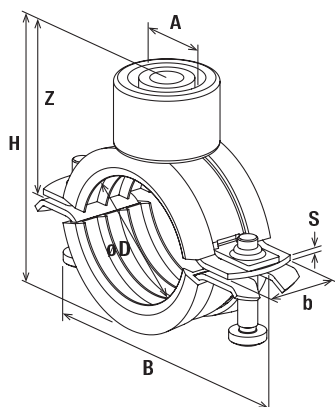
Properties

- Material: steel DD11 (material no. 1.0332) acc. to DIN EN 10111
- Zinc plating: electro zinc-plated, min. 5 µm
- Connecting nut: resistance welded, M8 / M10 / 1/2"
- Locking screw: flat head screw with combination recessed head
- Material sound insulation insert: SBR/EPDM; chlorine-free; silicone-free
- Sound insulation: for DIN 4109
- Temperature range: -50 °C to +110 °C
- Hardness: 45 ± 5° Shore A
- Fire behaviour: DIN 4102: Class B2

Installation FRS Triple



Technical data



FRS Triple

Item	Item No.	Thread	Size	Clamp- ing range	Width	Height	Width x thickness clamp band	Height Z	Locking screw	Max. recom. static load (centr. tension) $N_{\text{recom.}}$ [kN]	Sales unit [pcs]
		A	[inch]	D [mm]	B [mm]	H [mm]	b x s [mm]	Z [mm]			
FRS Triple 15 - 19	500698	M 8 / M 10 / 1/2"	3/8"	15 - 19	61	53	20 x 1,5	36	M 5	1.00	100
FRS Triple 21 - 23	500699	M 8 / M 10 / 1/2"	1/2"	21 - 23	65	57	20 x 1,5	38	M 5	1.00	100
FRS Triple 26 - 28	500700	M 8 / M 10 / 1/2"	3/4"	26 - 28	70	62	20 x 1,5	40	M 5	1.00	100
FRS Triple 32 - 35	500701	M 8 / M 10 / 1/2"	1"	32 - 35	77	69	20 x 1,5	44	M 5	1.00	100
FRS Triple 40 - 43	500702	M 8 / M 10 / 1/2"	1 1/4"	40 - 43	85	77	20 x 1,5	48	M 5	1.00	50
FRS Triple 48 - 56	500703	M 8 / M 10 / 1/2"	1 1/2"	48 - 56	98	90	20 x 1,5	54	M 5	1.00	50
FRS Triple 57 - 62	500704	M 8 / M 10 / 1/2"	2"	57 - 63	104	96	20 x 1,5	57	M 5	1.00	50
FRS Triple 63 - 70	500705	M 8 / M 10 / 1/2"	—	63 - 70	112	104	20 x 1,5	61	M 5	1.00	25
FRS Triple 74 - 80	500706	M 8 / M 10 / 1/2"	2 1/2"	74 - 80	122	114	20 x 1,5	66	M 5	1.00	25
FRS Triple 83 - 91	500707	M 8 / M 10 / 1/2"	3"	83 - 91	133	125	20 x 1,5	72	M 5	1.00	25
FRS Triple 100 - 105	500708	M 8 / M 10 / 1/2"	—	100 - 105	155	139	23 x 2,0	79	M 6	1.50	10
FRS Triple 108 - 114	500709	M 8 / M 10 / 1/2"	4"	108 - 114	164	148	23 x 2,0	83	M 6	1.50	10
FRS Triple 115 - 125	500710	M 8 / M 10 / 1/2"	—	115 - 125	175	159	23 x 2,0	89	M 6	1.50	10
FRS Triple 127 - 135	500711	M 8 / M 10 / 1/2"	—	127 - 135	185	169	23 x 2,0	94	M 6	1.50	10
FRS Triple 135 - 140	500712	M 8 / M 10 / 1/2"	5"	135 - 140	190	174	23 x 2,0	96	M 6	1.50	10
FRS Triple 159 - 169	500713	M 8 / M 10 / 1/2"	6"	159 - 169	219	203	23 x 2,0	111	M 6	1.50	10