

The versatile metal cavity fixing with metric screws



Curtain rails



Shelves

BUILDING MATERIALS

- Gypsum plasterboard and gypsum fibreboards
- Cavity floor slabs
- Light building boards made of wood wool
- Chipboard
- Plywood

ADVANTAGES

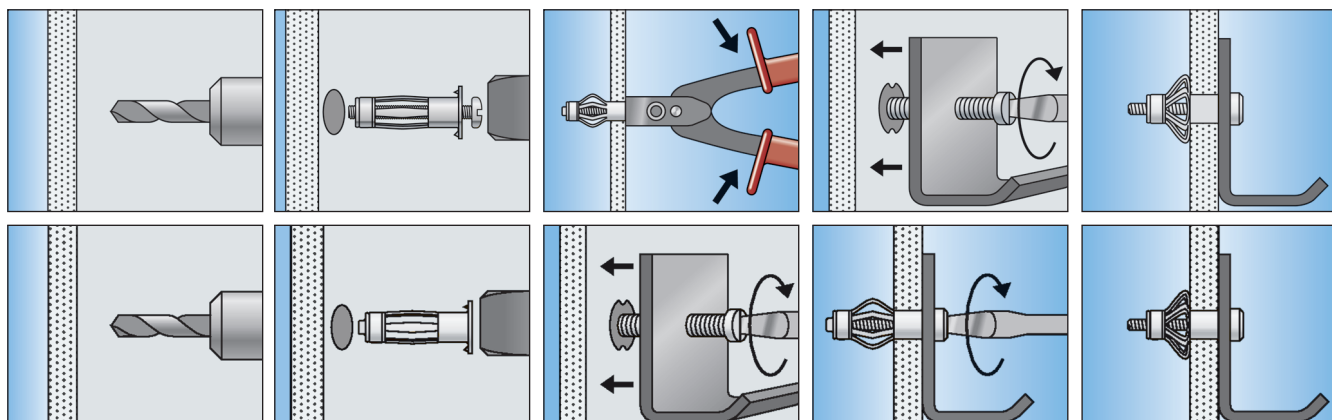
- Due to the extensive range, the HM is suitable for board building materials with a thickness of 3-50 mm and thus suitable for a number of different applications.
- The metric internal thread allows the attachment to be removed and refitted several times, thus offering the best possible flexibility.
- The HM's expanding arms ensure a large supporting surface, thus allowing a high load-bearing capacity.
- The claws around the edge of the fixing penetrate the board building material, preventing the fixing from rotating, thus ensuring a secure installation.

APPLICATIONS

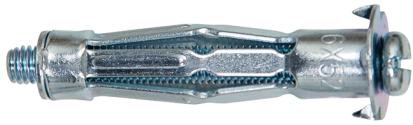
- Pictures
- Lighting
- Shelves
- Towel rails
- Mirror cabinets
- Curtain rails
- TV consoles
- Sub-structures

FUNCTIONING

- The metal cavity fixing HM is suitable for pre-positioned installation.
- The fixing should be selected based on the thickness of the board building material, to allow the very best expansion in the cavity.
- During installation, the expanding arms swing open and press onto the reverse side of the board.
- The HM can be installed using installation pliers. If using a battery operated screwdriver or screwdriver for installation, the pre-assembled screws must be removed first. When screwing in and expanding the fixing, the attachment, or a max. 6 mm plate, needs to be used as a turning stop.



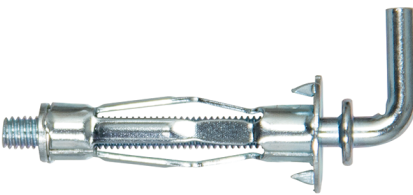
TECHNICAL DATA



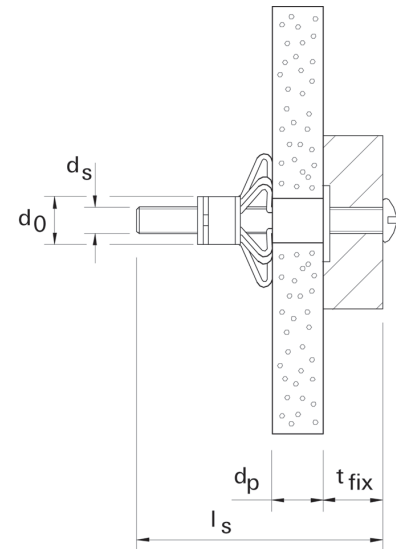
HM-S with metric screw



HM-SS with hexagon headed screw



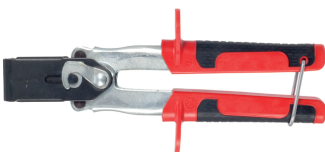
HM-H with angle hook



Item	Art.-No.	Drill hole diameter	Min. drill hole depth	Anchor length	Screw	Panel thickness	Fixture thickness	Sales unit
		d_0 [mm]	h_1 [mm]	l [mm]	$d_s \times l_s$ [mm]	d_p [mm]	t_{fix} [mm]	[pcs]
HM 4 x 32 S	519769	8	40	32	M 4 x 40	3 - 13	15 - 25	50
HM 4 x 45 S	519770	8	52	45	M 4 x 52	16 - 23	12 - 21	50
HM 4 x 60 S	519771	8	65	60	M 4 x 65	31 - 40	12 - 21	50
HM 5 x 37 S	519772	10	45	37	M 5 x 45	6 - 15	8 - 17	50
HM 5 x 52 S	519774	10	58	52	M 5 x 58	7 - 21	10 - 24	50
HM 5 x 65 S	519775	10	71	65	M 5 x 71	20 - 34	12 - 26	50
HM 6 x 37 S	519777	12	45	37	M 6 x 45	6 - 15	12 - 21	50
HM 6 x 52 S	519778	12	58	52	M 6 x 58	7 - 21	14 - 28	50
HM 6 x 65 S	519782	12	71	65	M 6 x 71	17 - 34	13 - 30	50
HM 6 x 80 S	519779	12	88	80	M 6 x 88	32 - 50	16 - 34	50
HM 8 x 54 SS	519783 1)	12	60	54	M 8 x 60	7 - 21	16 - 30	50
HM 4 x 32 H	519780	8	45	32	–	3 - 13	–	50
HM 5 x 65 H	519781	10	71	65	–	20 - 34	–	50

1) with hexagon headed screw, assembly only by using the professional installation tool HM Z 1

ACCESSORIES



HM Z 1 - the professional installation tool



HM Z 2 - the DIY installation tool

Item	Art.-No.			Sales unit
				[pcs]
HM Z 1	062320			1
HM Z 2	062321			1

LOADS

Metal cavity fixing HM

Highest recommended loads¹⁾ for a single anchor.

Typ		HM 4 x 32 S	HM 4 x 45 S	HM 5 x 37 S	HM 5 x 52 S	HM 5 x 65 S	HM 6 x 37 S	HM 6 x 52 S	HM 6 x 65 S	HM 8 x 54 SS
Thread size	[M]	M4	M4	M5	M5	M5	M6	M6	M6	M8
Installation parameter										
Drill hole diameter	[mm]	8	8	10	10	10	12	12	12	12
panel thickness	[mm]	3-13	16-23	6-15	7-21	20-34	6-15	7-21	17-34	7-21
Recommended loads in the respective base material F_{rec}²⁾										
Gypsum plasterboard	9,5 mm [kN]	0,15	-	0,15	0,15	-	0,15	0,15	-	0,15
Gypsum plasterboard	12,5 mm [kN]	0,15	-	0,15	0,15	-	0,15	0,15	-	0,15
Gypsum plasterboard	19 mm (2 x 9,5 mm) [kN]	-	0,25	-	0,25	-	-	0,25	0,25	0,25
Gypsum plasterboard	25 mm (2 x 12,5 mm) [kN]	-	-	-	-	0,3	-	-	0,3	-
Chipboard	10 mm [kN]	0,25	-	0,25	0,25	-	0,25	0,25	-	0,25
Chipboard	13 mm [kN]	0,25	-	0,25	0,25	-	0,25	0,25	-	0,25
Chipboard	28 mm [kN]	-	-	-	-	0,5	-	-	0,5	-
Plywood	4 mm [kN]	0,1	-	-	-	-	-	-	-	-
Hardboard	3 mm [kN]	0,1	-	-	-	-	-	-	-	-
Wood wool slab	16 mm [kN]	-	0,05	-	0,05	-	-	0,05	-	0,05
Wood wool slab	25 mm [kN]	-	-	-	-	0,05	-	-	0,05	-
Fibre cement board	8 mm [kN]	0,15	-	0,15	0,15	-	0,25	0,25	-	0,25
Gypsum fibreboard	10 mm [kN]	0,15	-	0,15	0,15	-	0,25	0,25	-	0,25
Gypsum fibreboard	15 mm [kN]	-	-	0,25	0,25	-	0,25	0,25	-	0,25

¹⁾ Includes the safety factor 3.

²⁾ Valid for tensile load, shear load and oblique load under any angle.