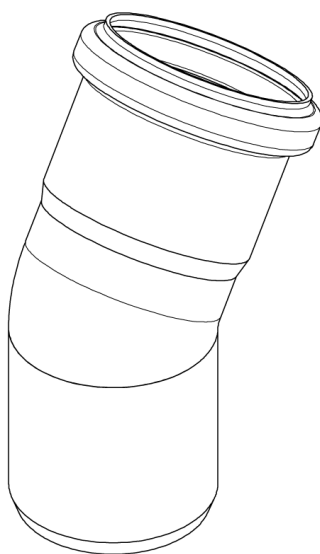
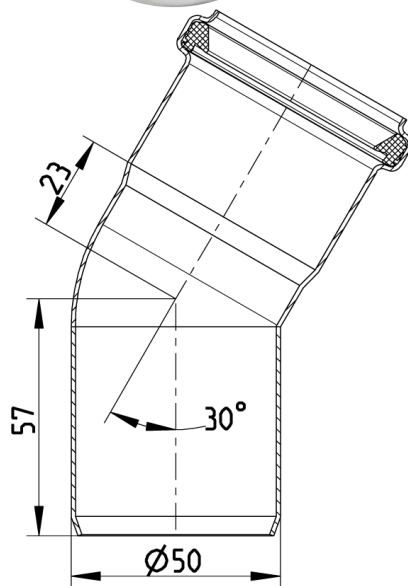


BEND 30°, Ø50MM
 - Syrefast stål: AISI316L/EN1.4404



Type nr.:	820.030.050 S	Type:	Bend
EAN nr.:	5705499401233	Utløpsdia. (mm):	50
VVS nr.:	160207350	Vinkel (°):	30
RSK nr.:	1550293	Vekt (kg):	0,16
NRF nr.:	2170744	Materiale:	AISI 316L
LVI nr.:	0250632	Materiale:	EN 1.4404

Godkjenninger

ABS - 04-LD472768/3
 Achilles - 25316-17
 AUS - WMKT00204 - 18
 Bureau Veritas - 02375-G0
 DE - LGA Certificate 57214035 a
 DK - VA 2.12/19349-16
 DNV - TAP0000023-rev1
 FR - DTA 14/12-1811*V1 EuroPipe
 Lloyds Register 92-00041 (E6)
 MARINE - R4547 NATO CODIFICATION SYSTEM
 NO - 0692-12
 PL - Hygenic Certificate - All products
 RINA - MAC128714XG EuroPipe
 RS - 14.10112.262
 RU - 1682258
 SE - SITAC 4423/90
 UK - BBA 86-1751 EuroPipe
 UR - 1055745
 US - IAPMO File No.3247-16