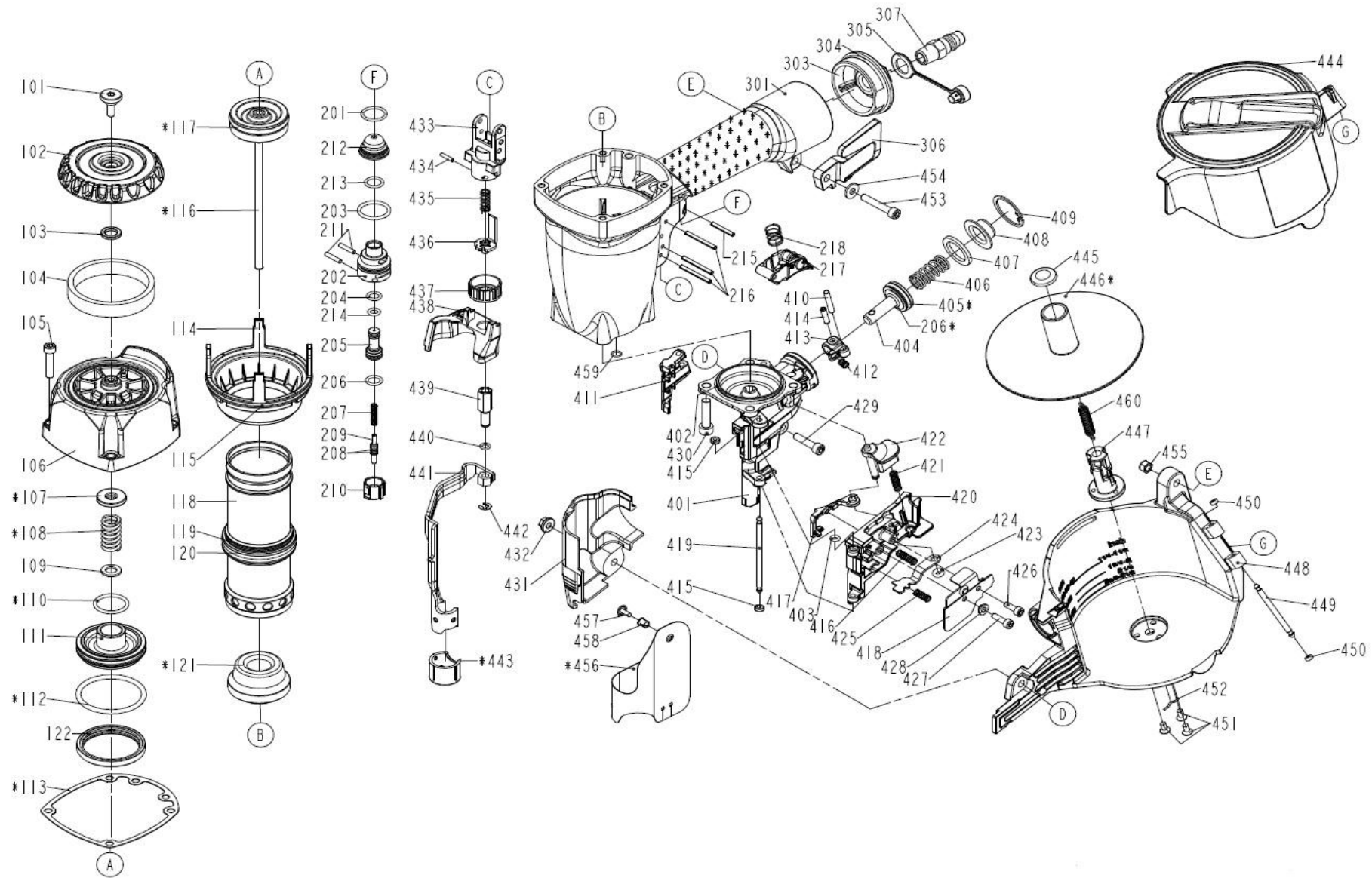


Coil nailer ESSVE CN 15/65



Coil nailer ESSVE CN 15/65

Pos	Art. Nr.	Name	Pos	Art. Nr.	Name	Pos	Art. Nr.	Extras:		
101		DEFLECTOR BOLT(3M2353)	218		SPRING	433		SAFETY GUIDE		
102		DEFLECTOR	301		GUN BODY UNIT	434		SPRING PIN		
103		RUBBER PAD	303		END CAP	435		SAFETY SPRING		
104		MUFFLER	304		O - RING	436		SAFETY B UNIT		
105		HEX.SOC.HD.BOLT	306		SPRING RETAINER	437		ADJUST AXIE		
106		CAP	307		AIR PLUG	438		SAFETY COVER		
107		SEAL	401		NOSE PIECE	439		ADJUST ROD		
108		COMPRESSION SPRING	402		O - RING	440		O - RING		
109		FLAT WASHER	403		O - RING	441		SAFETY A UNIT		
110		O - RING	404		FEED PISTON	442		E - RING		
111		HD.VALVE PISTON	405		O - RING	443		PROTECTIVE CASING		
112		O - RING	406		PUSHER SPRING	443		PROTECTIVE CASING		
113		PACKING	407		FEED BUMPER	444		MAGAZINE COVER		
114		CYLINDER SPACER	408		FEED PISTON CAP	445		SPRING BASE A		
115		O - RING	409		C - RING	446		NAIL BRACKET		
116		DRIVER UNIT	410		PIN	447		MAGAEING POST		
117		O-RING	411		FEED FINGER	448		MAGAZINE CASE		
118		CYLINDER	412		FEED FINGER SPRING	449		DOOR SHAFT PIN		
119		O - RING	413		ANCHOR BLOCK	450		SHAFT RING		
120		O - RING	414		SPIRAL PINS	451		TAP BOLT		
121		BUMPER	415		PU RETAINER	452		SPRING RETAINER		
201		O - RING	416		SPRING	453		HEX.SOC.HD.BOLT		
202		PLUNGER CAP	417		FIRST STOPPER FINGER	454		FLAT WASHER		
203		O - RING	418		NAIL GUIDE COVER	455		LOCK NUT		
204		O - RING	419		DOOR SHAFT PIN	456		MUZZLE PROTECTOR		
205		VALVE PLUNGER	420		DOOR	457		FIXED PIN		
206		O - RING	421		LATCH SPRING	458		FIXED RING		
207		SPRING	422		DOOR LATCH UNIT	459		O - RING		
208		O - RING	423		O - RING	460		PULL SPRING		
209		PLUNGER	424		SECOND STOPPER FINGE					
210		TRIGGER VALVE HEAD	425		SPRING					
211		PIN	426		HEX.SOC.HD.BOLT					
212		COVER-PLUNGER	427		HEX.SOC.HD.BOLT					
213		O - RING	428		LATCH SPRING BUSHING					
214		O - RING	429		HEX.SOC.HD.BOLT					
215		SPRING PIN	430		HEX.SOC.HD.BOLT					
216		SPRING PIN	431		SAFETY COVER					
217		TRIGGER UNIT	432		BOLT CAP					

