

Milwaukee®

Nothing but **HEAVY DUTY**®



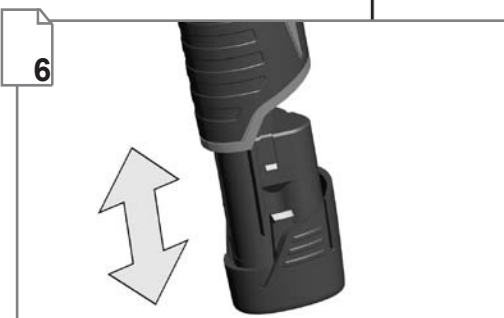
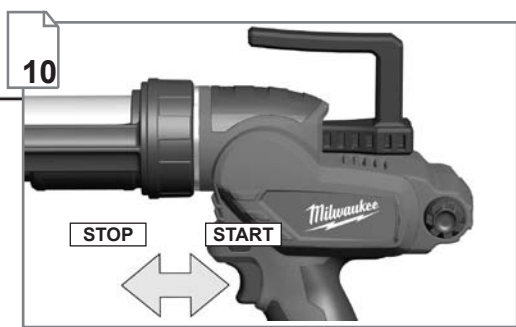
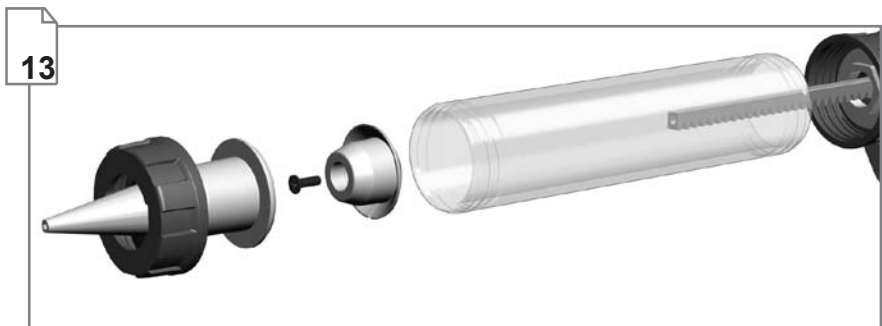
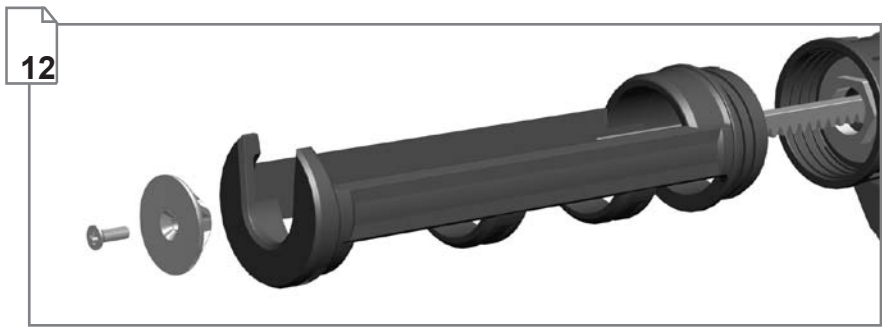
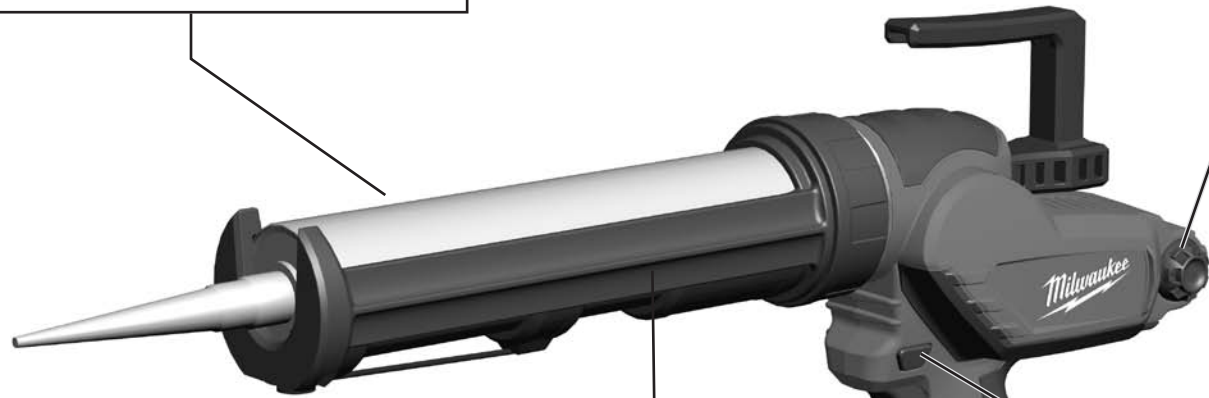
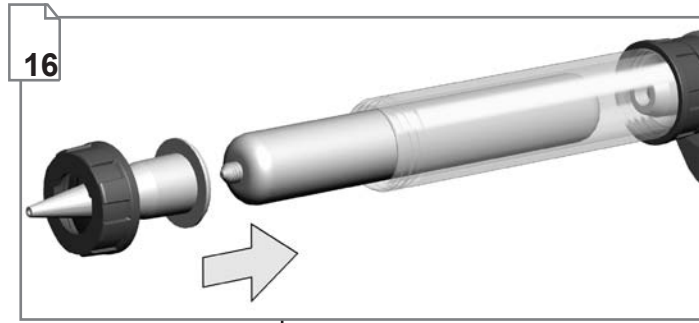
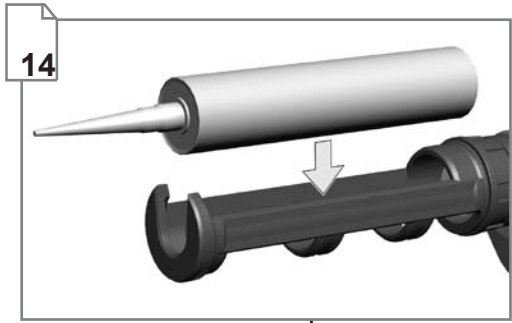
M12 PCG

Original instructions
Originalbetriebsanleitung
Notice originale
Istruzioni originali
Manual original
Oorspronkelijke
gebruiksaanwijzing
Original brugsanvisning
Original bruksanvisning
Bruksanvisning i original
Alkuperäiset ohjeet

Πρωτότυπο οδηγιών χρήσης
Orijinal işletme talimatı
Původním návodem k
používání
Pôvodný návod na použitie
Instrukcją oryginalną
Eredeti használati utasítás
Izvirna navodila
Originalne pogonske upute
Instrukcijām oriģinālvalodā
Originali instrukcija

Algupärane kasutusjuhend
Оригинальное руководство
по эксплуатации
Оригинално ръководство за
експлоатация
Instrucțiuni de folosire
originale
Оригинален прирачник за
работа
原始的指南

Technical Data, Safety instructions, Specified Conditions of Use, EC-Declaration of Conformity, Batteries, Maintenance, Symbols	Please read and save these instructions!	ENGLISH	18
Technische Daten, Sicherheitshinweise, Bestimmungsgemäße Verwendung, CE-Konformitätserklärung, Akkus, Wartung, Symbole	Bitte lesen und aufbewahren!	DEUTSCH	20
Caractéristiques techniques, Instructions de sécurité, Utilisation conforme aux prescriptions, Déclaration CE de Conformité, Accus, Entretien, Symboles	Prière de lire et de conserver!	FRANÇAIS	22
Dati tecnici, Norme di sicurezza, Utilizzo conforme, Dichiarazione di Conformità CE, Batteria, Manutenzione, Simboli	Si prega di leggere le istruzioni e di conservarle!	ITALIANO	24
Datos técnicos, Instrucciones de seguridad, Aplicación de acuerdo a la finalidad, Declaración de Conformidad CE, Batería, Mantenimiento, Símbolos	Lea y conserve estas instrucciones por favor!	ESPAÑOL	26
Características técnicas, Instruções de segurança, Utilização autorizada, Declaração de Conformidade CE, Acumulador, Manutenção, Símbolo	Por favor leia e conserve em seu poder!	PORTUGUES	28
Technische gegevens, Veiligheidsadviezen, Voorgeschiedren gebruik van het systeem, EC-Konformiteitsverklaring, Akku, Onderhoud, Symbolen	Lees en let goed op deze adviezen!	NEDERLANDS	30
Tekniske data, Sikkerhedshenvisninger, Tiltænk formål, CE-Konformitetserklæring, Batteri, Vedligeholdelse, Symboler	Vær venlig at læse og opbevare!	DANSK	32
Tekniske data, Spesielle sikkerhetshenvisninger, Formålmessig bruk, CE-Samsvarserklæring, Batterier, Vedlikehold, Symboler	Vennligst les og oppbevar!	NORSK	34
Tekniska data, Säkerhetsutrustning, Använd maskinen Enligt anvisningarna, CE-Försäkran, Batterier, Skötsel, Symboler	Var god läs och tag tillvara dessa instruktioner!	SVENSKA	36
Tekniset arvot, Turvallisuusohjeet, Tarkoituksenmukainen käyttö, Todistus CE-standardinmukaisuudesta, Akku, Huolto, Symbolit	Lue ja säilytä!	SUOMI	38
Τεχνικά στοιχεία, Ειδικά υποδείξεις ασφαλείας, Χρήση σύμφωνα με το σκοπό προορισμού, Δήλωση πιστότητας εκ, Μπαταρίες, Συντήρηση, Σύμβολα	Παρακαλώ διαβάστε τις και φυλάξτε τις!	ΕΛΛΗΝΙΚΑ	40
Teknik veriler, Güvenliğiniz için talimatlar, Kullanım, CE uygunluk beyanince, Akü, Bakım, Semboller	Lütfen okuyun ve saklayın	TÜRKÇE	42
Technická data, Speciální bezpečnostní upozornění, Oblast využití, Ce-prohlášení o shodě, Akumulátory, Údržba, Symboly	Po přečtení uschovejte	ČESKY	44
Technické údaje, Špeciálne bezpečnostné pokyny, Použitie podľa predpisov, CE-Vyhlasenie konformity, Akumulátory, Údržba, Symboly	Prosím prečítať a uschovať!	SLOVENSKY	46
Dane techniczne, Specjalne zalecenia dotyczace bezpieczerstwa, Uzytkowanie zgodne z przeznaczeniem, Swiadcetwo zgodnosci ce, Baterie akumulatorowe, Gwarancja, Symboly	Prosimy o uwazne przeczytanie i przestrzeganie zaleceń zamie szczonych w tej instrukcji.	POLSKI	48
Műszaki adatok, Különleges biztonsági tudnivalók, Rendeltetésszerű használat, Ce-azonossági nyilatkozat, Akkuk, Karbantartás, Szimbólumok	Olvassa el és őrizze meg	MAGYAR	50
Tehnični podatki, Specialni varnostni napotki, Uporaba v skladu z namembnostjo, Ce-izjava o konformnosti, Akumulatorji, Vzdrževanje, Simboli	Prosimo preberite in shranite!	SLOVENSKO	52
Tehnički podaci, Specijalne sigurnosne upute, Propisna upotreba, CE-Izjava konformnosti, Baterije, Održavanje, Simboli	Molimo pročitati i sačuvati	HRVATSKI	54
Tehniskie dati, Speciālie drošības noteikumi, Noteikumiem atbilstošs izmantojums, Atbilstība CE normām, Akumulātori, Apkope, Simboli	Pielikums lietošanas pamācībai	LATVISKI	56
Techniniai duomenys, Ypatingos saugumo nuorodos, Naudojimas pagal paskirtį, CE Atitikties pareiškimas, Akumuliatoriai, Techninis aptarnavimas, Simboliai	Prašome perskaityti ir neišmesti!	LIETUVIŠKAI	58
Tehnilised andmed, Spetsiaalsed turvajuhised, Kasutamise vastavalt ostarbele, EU Vastavusavaldus, Akud, Hooldus, Sümbolid	Palun lugege läbi ja hoidke alal!	EESTI	60
Технические данные, Рекомендации по технике безопасности, Использование, Аккумулятор, Обслуживание, Символы	Пожалуйста, прочтите и сохраните настоящую инструкцию	РУССКИЙ	62
Технически данни, Специални указания за безопасност, Използване по предназначение, CE-Декларация за съответствие, Аккумулятори, Поддръжка, Символи	Моля прочетете и запазете!	БЪЛГАРСКИ	64
Date tehnice, Instrucțiuni de securitate, Condiții de utilizare specificate, Declarații de conformitate, Alimentare de la rețea, Intreținere, Simboluri	Va rugăm citiți și păstrați aceste instrucțiuni	ROMÂNIA	66
Технички Податоци, Упатство За Употреба, Специфицирани Услови На Употреба, Еу-декларација За Сообразност, Батерији, Одржување, Символи	Ве молиме прочитајте го и чувајте го ова упатство!	МАКЕДОНСКИ	68
技术数据, 特殊安全指示, 正确地使用机器, 欧洲安全规定说明, 蓄电池, 维修, 符号	请仔细阅读并妥善保存!	中文	70





Remove the battery pack before starting any work on the machine.
 Vor allen Arbeiten an der Maschine den Wechselakku herausnehmen
 Avant tous travaux sur la machine retirer l'accu interchangeable.

Prima di iniziare togliere la batteria dalla macchina.
 Retire la batería antes de comenzar cualquier trabajo en la máquina.
 Antes de efectuar qualquer intervenção na máquina retirar o bloco acumulador.
 Voor alle werkzaamheden aan de machine de akku verwijderen.
 Ved arbejde inden i maskinen, bør batteriet tages ud.

Ta ut vekselbatteriet før du arbeider på maskinen
 Drag ur batteripaket innan arbete utföres på maskinen.

Ota akku pois ennen kaikkia koneeseen tehtäviä toimenpiteitä.
 Πριν από κάθε εργασία στη μηχανή αφαιρείτε την ανταλλακτική μπαταρία.

Aletin kendinde bir çalışma yapmadan önce kartuş aküyü çıkarın.

Před zahájením veškerých prací na vrtacím šroubováků vyjmout výměnný akumulátor.

Pred každou pracou na stroji výměnný akumulátor vytiahnuť.

Przed przystąpieniem do jakichkolwiek prac na elektronarzędziu należy wyjąć wkładkę akumulatorową.

Karbantartás, javítás, tisztítás, stb. előtt az akkumulátort ki kell venni a készülékből.

Pred deli na stroju izvlécite izmenljivi akumulator.
 Prije svih radova na stroju izvaditi bateriju za zamjenu.

Pirms mašīnai veikt jebkāda veida apkopes darbus, ir jāizņem arī akumulātors.

Prieš atikdami bet kokius darbus įrenginyje, išimkite keičiamą akumuliatorių.

Enne kõiki töid masina kallal võtke vahetatav aku välja.

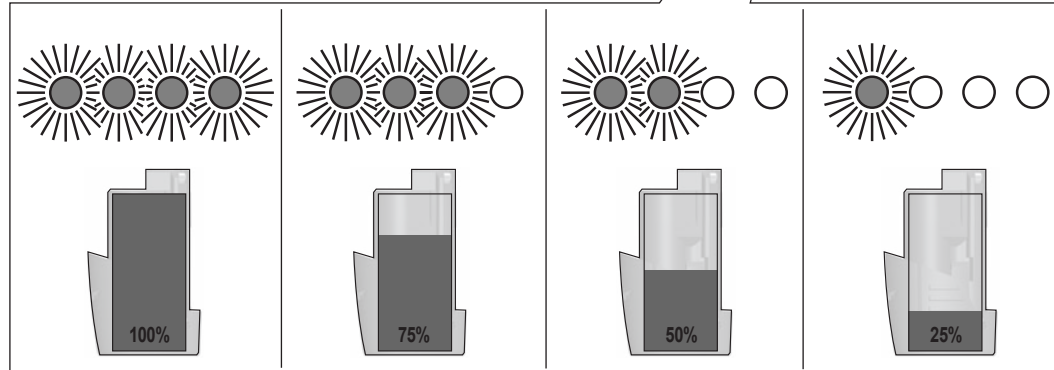
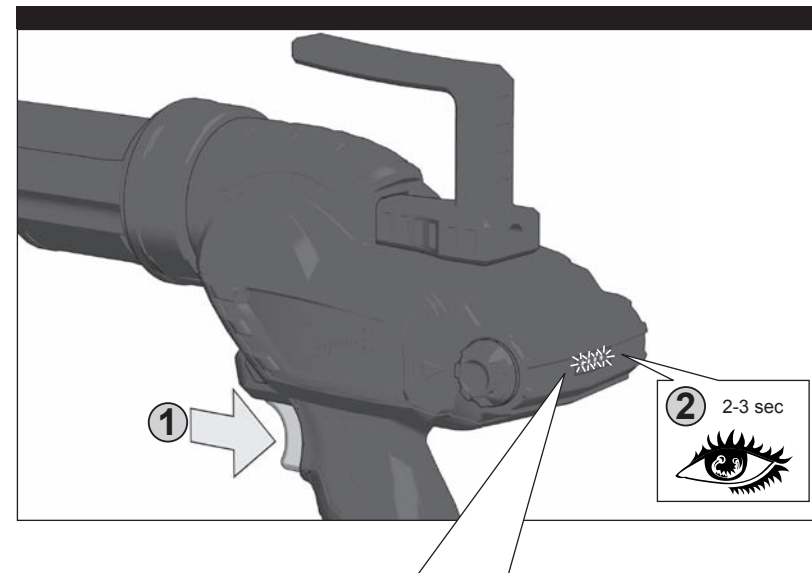
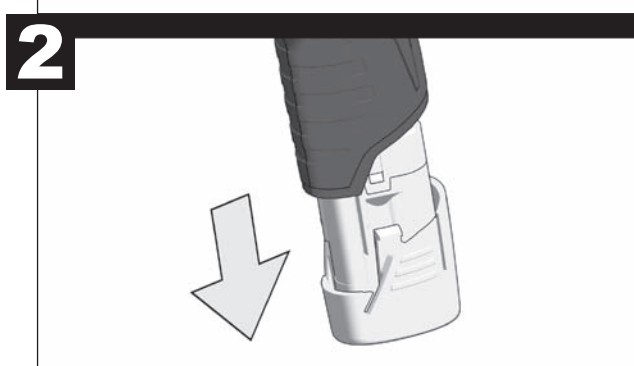
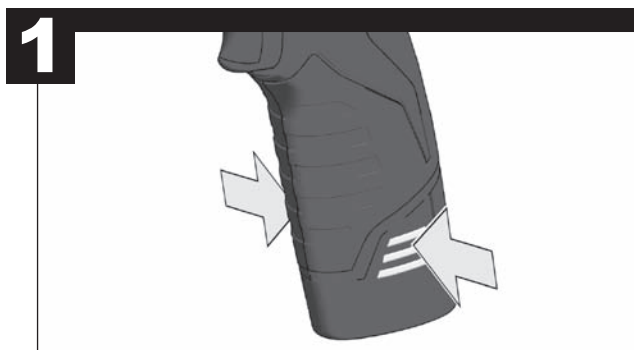
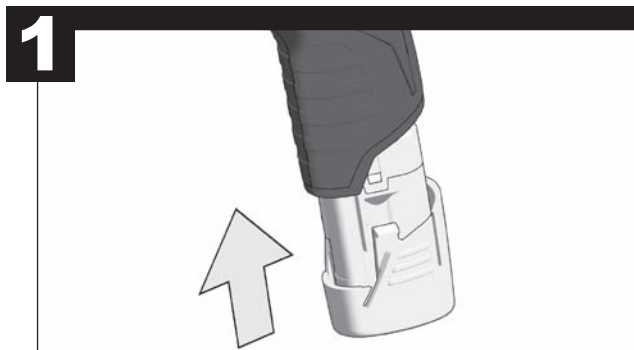
Виньте аккумулятор из машины перед проведением с ней каких-либо манипуляций.

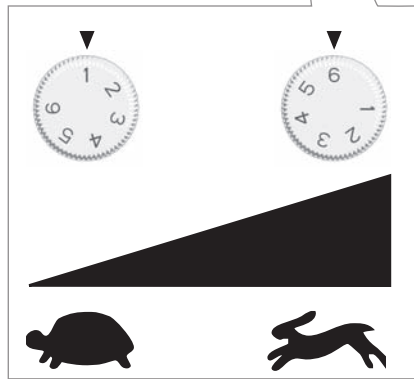
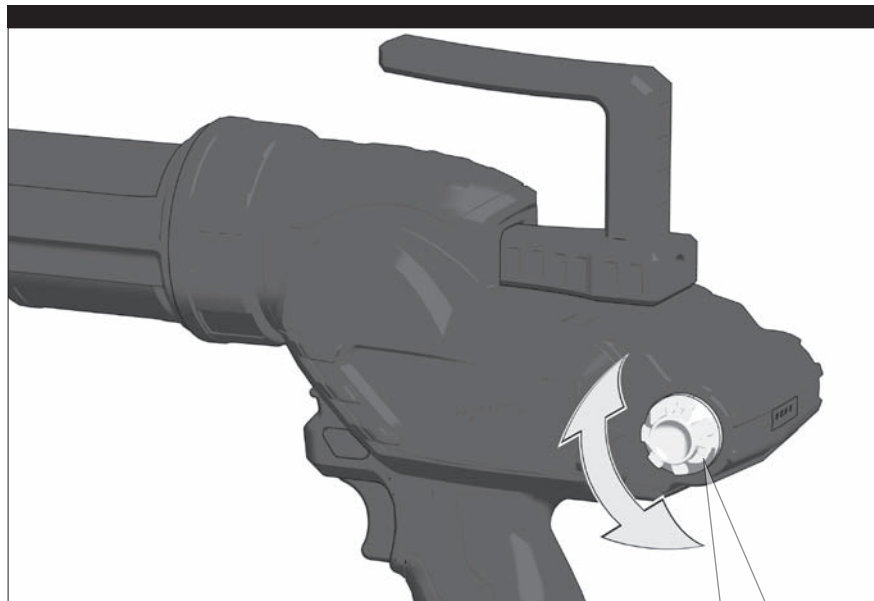
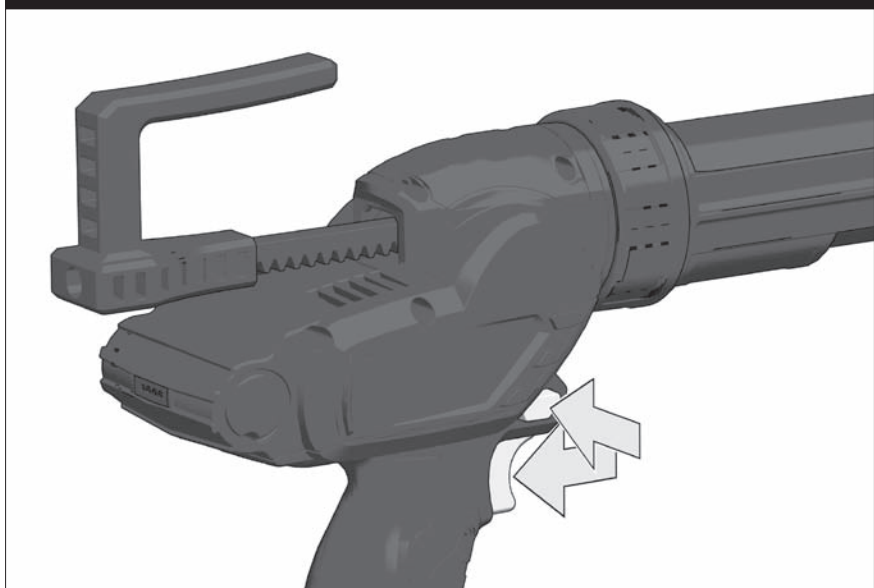
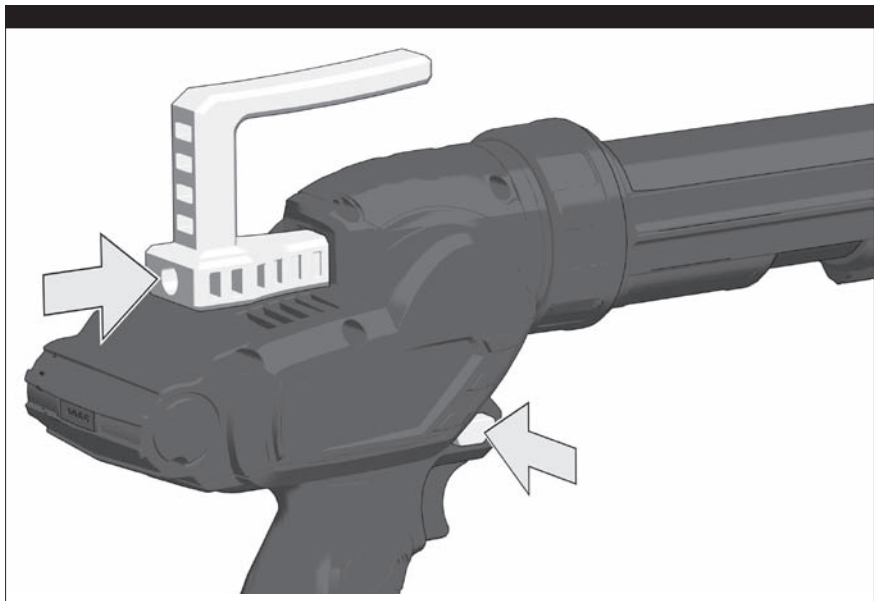
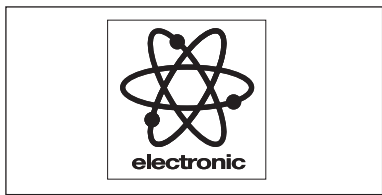
Преди започване на каквито е да е работи по машината извадете акумулатора.

Scotețiți acumulatorul înainte de a începe orice intervenție pe mașină.

Отстранете ја батеријата пред да започнете да ја користите машината.

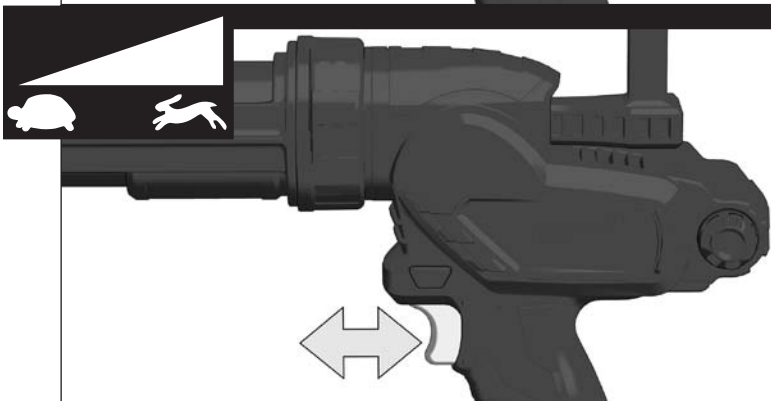
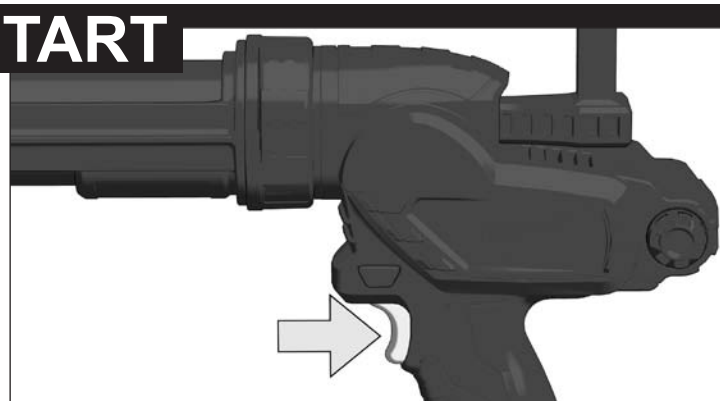
在机器上进行任何维护工作之前，先拿出蓄电池。







START



STOP



When the trigger is released, the motor will run for a short time to release the rod. This prevents a drip. When a tube is emptied, the motor will run for a short time to release the rod.

Nach Loslassen des Schalterdrückers läuft der Motor für kurze Zeit nach und entlastet so die Schubstange. Dies verhindert ein Nachtropfen. Bei einer leeren Tube läuft der Motor kurz nach um die Schubstange zu entlasten.

Si l'on relâche le bouton de fonctionnement, le moteur continuera à tourner pour un court laps de temps, en délestent la tige de poussée. On prévient ainsi l'égouttement. Lorsque le tube sera vide, le moteur continuera à tourner pour un court laps de temps pour délester la tige de poussée.

Rilasciando il tasto di funzionamento, il motore continuerà a girare per un breve periodo, scaricando l'asta di spinta. In questo modo si previene lo sgocciolamento. Quando la cartuccia sarà vuota, il motore continuerà a girare per un breve periodo per scaricare l'asta di spinta.

Después de soltar el interruptor, el motor sigue marchando en inercia durante un corto periodo de tiempo y descarga de este modo la biela de empuje. Debido a esta operación se evita un goteo. Si el cartucho está vacío, el motor sigue marchando en inercia durante un corto periodo de tiempo para descargar la biela de empuje.

Depois de soltar o gatilho, o motor funcionará algum tempo por inércia e descarregará a biela. Isso evita o gotejamento. Quando o tubo estiver vazio, o motor funcionará algum tempo por inércia para descarregar a biela.

Na het loslaten van de drukschakelaar loopt de motor nog even door en ontlast zo de schuifstang. Hierdoor wordt nadruppelen voorkomen. In geval van een lege tube loopt de motor nog even door om de schuifstang te ontlasten.

Når trykkkontakten slippes, kører motoren kortvarig videre og aflaster på den måde stødstangen. Dette forhindrer efterdryp. Når tuben er tom, kører motoren kortvarig videre for at aflaste stødstangen.

Etter at trykkbryteren slippes løs fortsetter motoren å gå en kort stund og avlaster slik veivstangen. Dette forhindrer at det drypper.

Når tuben er tom fortsetter motoren å gå en liten stund for å avlaste veivstangen.

Når du släpper tryckknappen fortsätter motorn att gå en kort stund och avlastar så tryckstängens. Denna avlastning förhindrar efterdroppning.

Når en tub är tom fortsätter motorn att gå en kort stund och avlastar så tryckstängens.

Kun painimesta päästää irti, moottori käy vielä jonkin aikaa ja vapauttaa näin työntötangon. Se estää jälkivuotamisen. Patruunan ollessa tyhjä moottori käy vielä jonkin aikaa ja vapauttaa näin työntötangon.

Μετά την ελευθέρωση της σκανδάλης ο κινητήρας συνεχίζει να λειτουργεί για σύντομο διάστημα και αποφορτίζει τη ράβδο ώθησης. Αυτό αποτρέπει το στάξιμο. Σε ένα άδειο σωληνάριο ο κινητήρας συνεχίζει να λειτουργεί για σύντομο διάστημα για να αποφορτίσει τη ράβδο ώθησης.

Šalter düğmesinin serbest bırakılmasından sonra motoru kısa bir süre çalışır ve bu süre içerisinde itme demirini hafifletir. Boş bir tüpte itme demirinin yük altından kurtulması için motor kısa süre çalışır.

Po uvolnění spouštěcího tlačítka motor ještě po krátkou dobu dobíhá a odlehčuje tak suvnou tyč. To zabraňuje dokapávání. V případě prázdné kartuše motor ještě po krátkou dobu dobíhá, aby odlehčil suvnou tyč.

Po uvoľnení spúšťacieho tlačidla motor ešte po krátku dobu dobíha a odľahčuje tak posuvnú tyč. To zabraňuje dokvapkávaniu. V prípade prázdnjej kartuše motor ešte po krátku dobu dobíha, aby odľahčil posuvnú tyč.

Po zwolnieniu przycisku wyłącznika silnik pracuje jeszcze przez chwilę i odciąża w ten sposób suwak. Zapobiega to wyciekaniu kropel. Po opróżnieniu tubki silnik pracuje jeszcze przez chwilę, aby odciążyć suwak.

A kapcsológomb elengedése után a motor még egy rövid ideig jár, és így tehermentesíti a tolórudat. Ez megakadályozza az utócsapegést. Kiürült patron esetén a motor a tolórúd tehermentesítéséhez még rövid ideig jár.

Po izpustitvi tipke motor še kratak as tee in tako razbremenil pomikalnik. To preprečuje naknadno kapljanje. Pri prazni tubi motor za razbremenitev pomikalnika še kratak as tee.

Poslije ispuštanja sklopke motor kratko vrijeme radi dalje i rasterećuje pogonsku motku. To sprječava naknadno kapanje. Kod jedne prazne tube motor kratko radi dalje, kako bi se rasteretila pogonska motka.

Pēc ieslēgšanas slēdža nospiešanas dzinēja darbība nedaudz kavējas un tādā veidā atslōgo bīdstieni. Tas novērš pilēšanu. Tukšas tūbiņas gadījumā dzinējs uz brīdi apstājas, lai tādā veidā atslōgotu bīdstieni.

Atleidus jungiklio mygtuką, variklis dar trumpą laiką dirba ir atpalaiduoja stūmimo svirtį. Tai padeda apsaugoti nuo medžiagos lašėjimo. Esant tuščiam vamzdeliui, variklis kurį laiką veikia, kad atplaiduotų stūmimo svirtį.

Pārast pāastiklūliti lahtlaskmist tōtāb mootor hetke vāltel edasi ja vabastab nī lūkkevarda koormusest. Sellega vālditakse tilkumist.

Tūhja tuubi korral tōtāb mootor lūkkevarda koormusest vabastamiseks hetke vāltel edasi.

После отпущания нажимного выключателя двигатель некоторое время работает по инерции и разгружает шатун. В результате этого предотвращается подтекание. После опорожнения магазина двигатель некоторое время работает по инерции, чтобы разгрузить шатун.

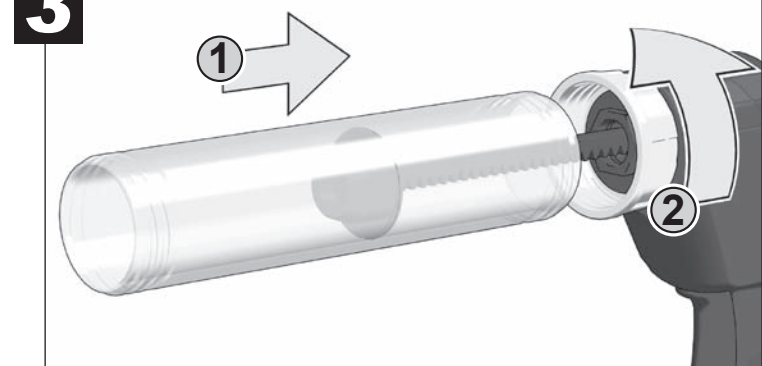
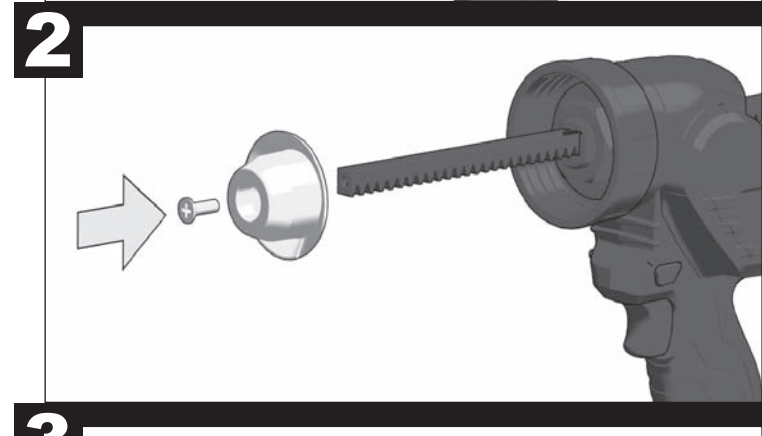
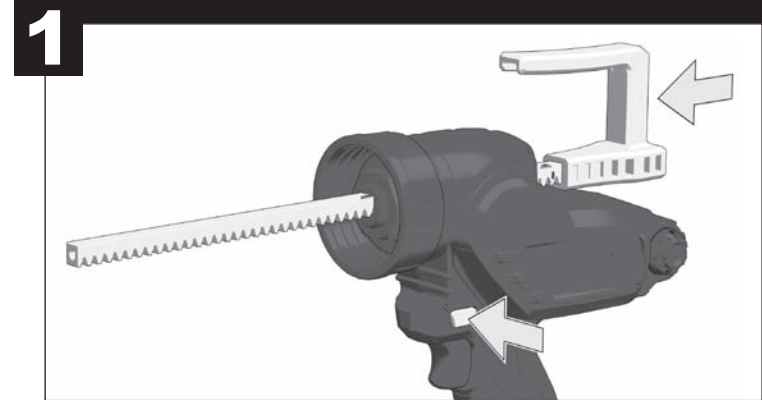
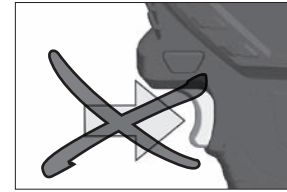
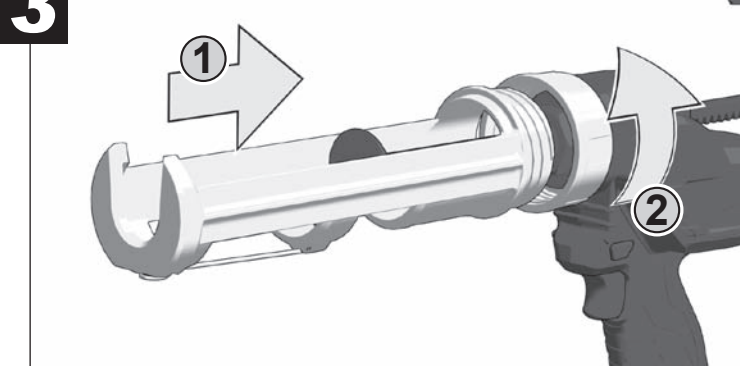
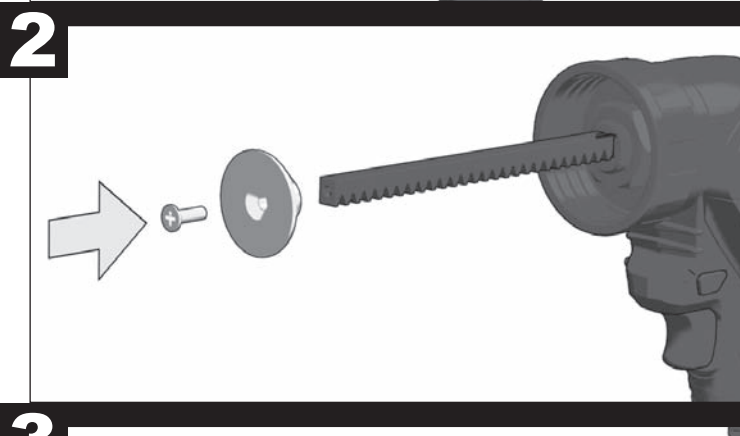
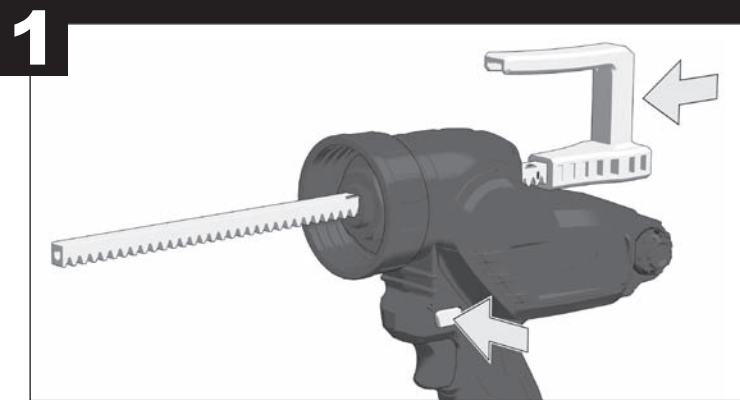
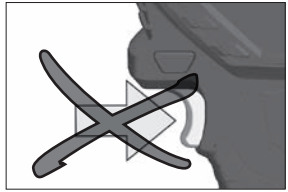
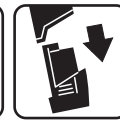
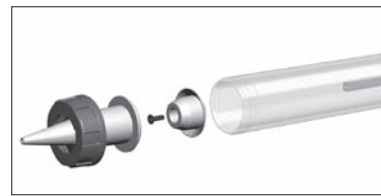
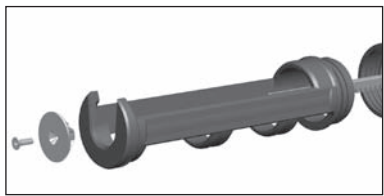
След пускание на спуська моторът продължава да работи за кратко и по този начин освобождава напрежението в тласкащата шанга. Това предотвратява последващото капане.

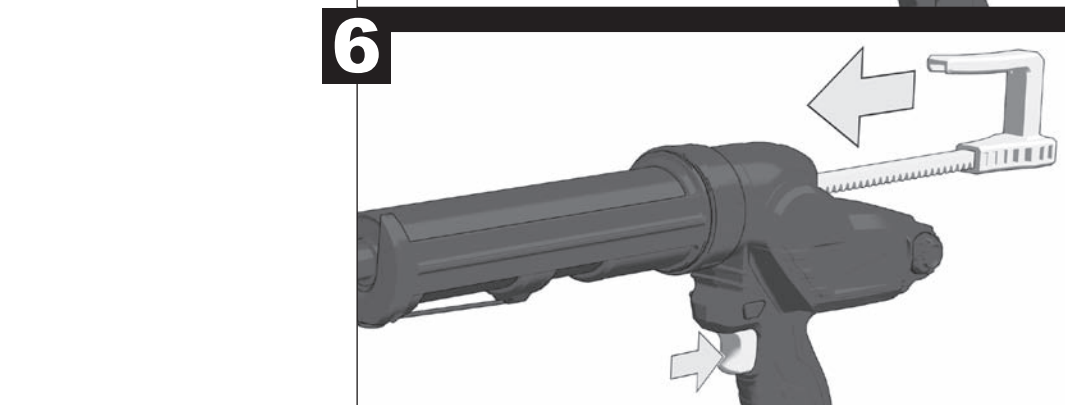
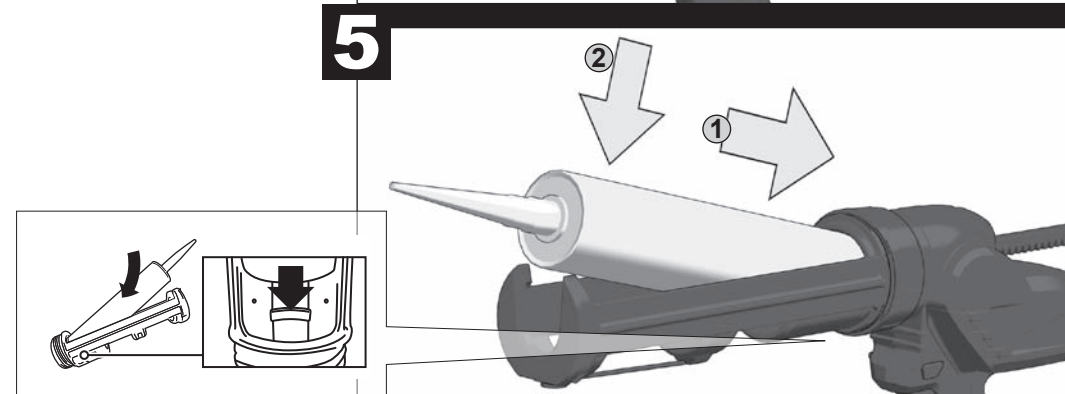
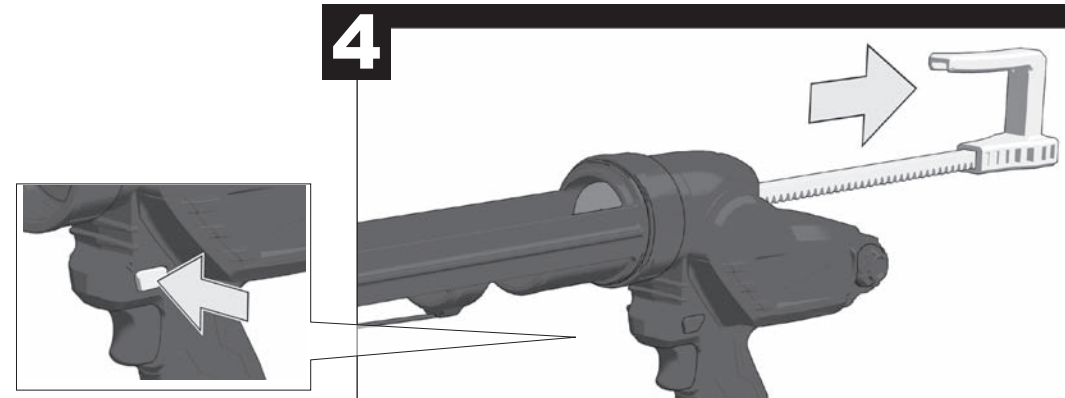
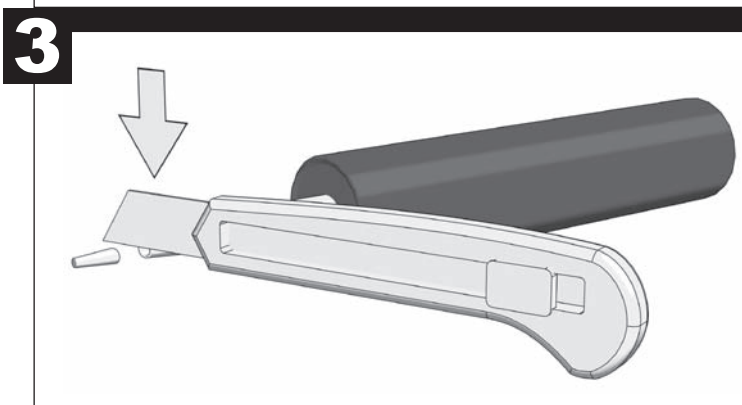
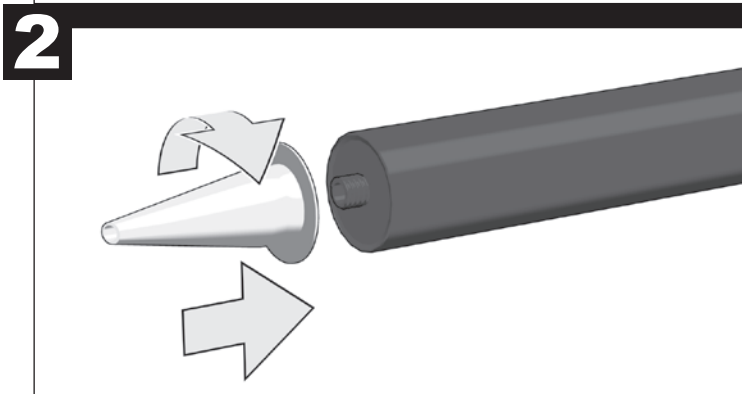
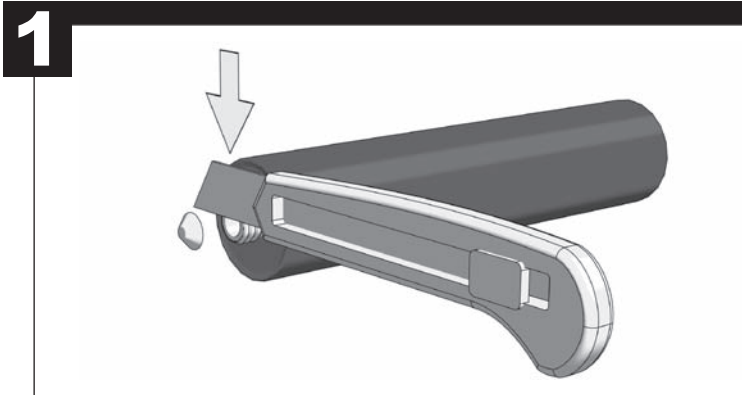
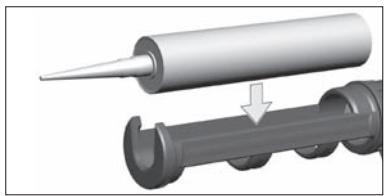
При празна туба моторът продължава да работи за кратко с цел освобождаване на напрежението в шангата.

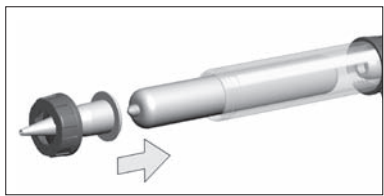
Dupā eliberarea manetei de pornire, motorul mai funcționează în continuare pentru un scurt timp și astfel detensionează tija de împingere. Acest lucru împiedică o picurare ulterioară. Dacă tubul este gol, motorul mai funcționează în continuare pentru un scurt timp pentru a detensiona tija de împingere.

По отпуштање на копчето прекинувач моторот за кратко време работи и на тој начин ја растеретува погонската шипка. Тоа спречува дополнително капнување. Во случај на празна туба моторот после кратко време работи за да ја растерети погонската шипка.

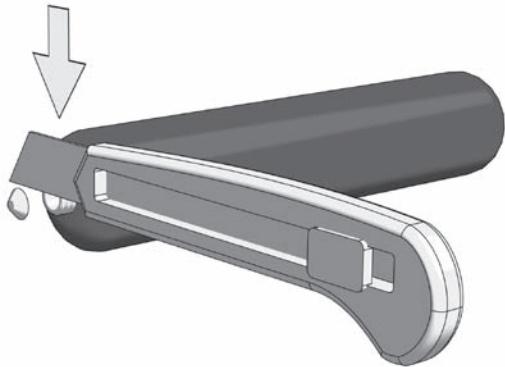
放开开关按钮后，发动机将短时继续工作以卸载推杆并防止余滴。物料罐空了，发动机将短时继续工作以卸载推杆。



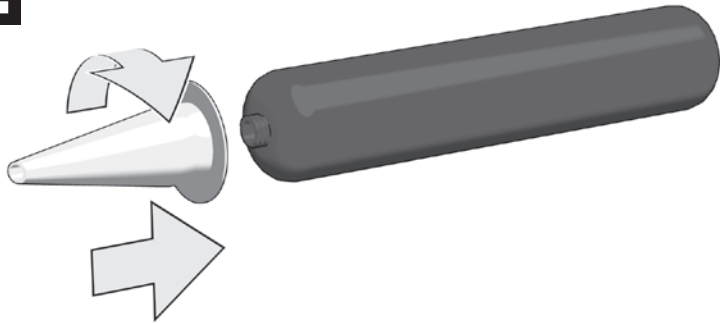




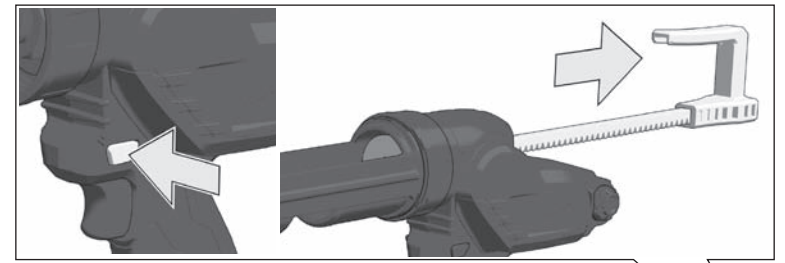
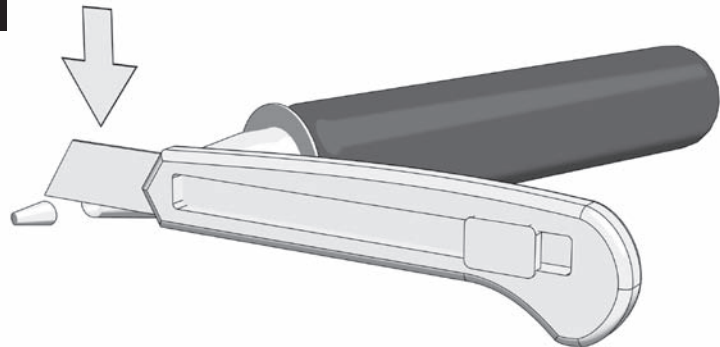
1



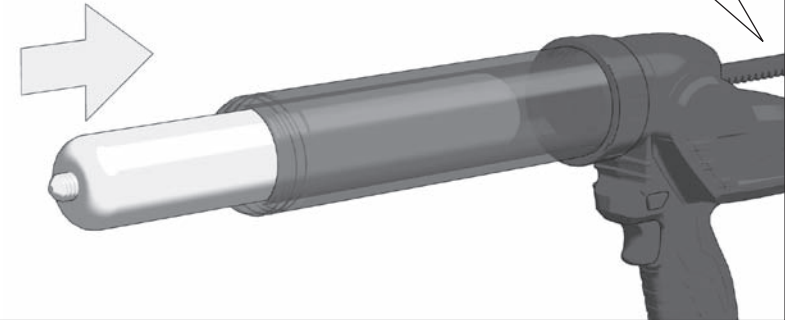
2



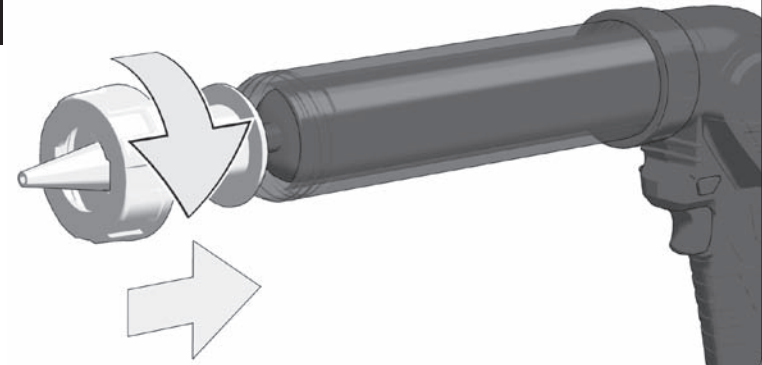
3



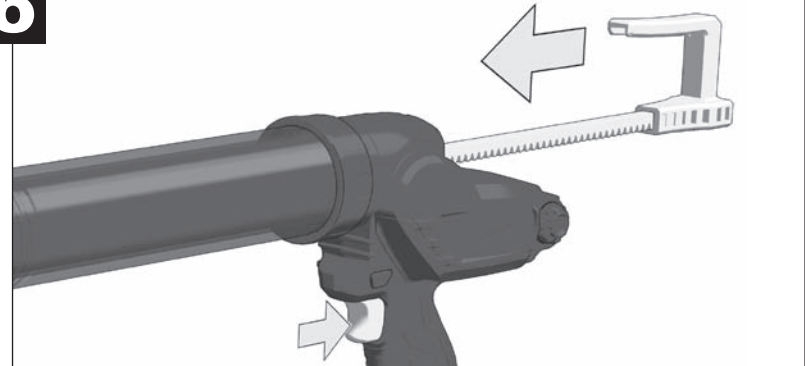
4



5



6



TECHNICAL DATA**Caulking Gun****M12 PCG**

Feed force.....	1780 N
Battery voltage.....	12 V
Weight according EPTA-Procedure 01/2003 (1,5 Ah).....	1,86 kg
Weight according EPTA-Procedure 01/2003 (3,0 Ah).....	2,09 kg

Noise/vibration information

Measured values determined according to EN 60 745.

Typically, the A-weighted noise levels of the tool are:

Sound pressure level (K = 3 dB(A)).....	54,5 dB (A)
Sound power level (K = 3 dB(A)).....	65,5 dB (A)

Total vibration values (vector sum in the three axes)

determined according to EN 60745.

Vibration emission value a_{hv} < 2,5 m/s²

Uncertainty K = 1,5 m/s²

WARNING

The vibration emission level given in this information sheet has been measured in accordance with a standardised test given in EN 60745 and may be used to compare one tool with another. It may be used for a preliminary assessment of exposure.

The declared vibration emission level represents the main applications of the tool. However if the tool is used for different applications, with different accessories or poorly maintained, the vibration emission may differ. This may significantly increase the exposure level over the total working period.

An estimation of the level of exposure to vibration should also take into account the times when the tool is switched off or when it is running but not actually doing the job. This may significantly reduce the exposure level over the total working period.

Identify additional safety measures to protect the operator from the effects of vibration such as: maintain the tool and the accessories, keep the hands warm, organisation of work patterns.

⚠ WARNING! Read all safety warnings and all instructions, including those given in the accompanying brochure. Failure to follow the warnings and instructions may result in electric shock, fire and/or serious injury. **Save all warnings and instructions for future reference.**

SAFETY INSTRUCTIONS

Read and understand the charger operator's manual packaged with your charger.

Always wear goggles when using the machine.

Remove the battery pack before starting any work on the machine.

Do not dispose of used battery packs in the household refuse or by burning them. Milwaukee Distributors offer to retrieve old batteries to protect our environment.

Do not store the battery pack together with metal objects (short circuit risk).

Use only System C12 chargers for charging System C12 battery packs. Do not use battery packs from other systems.

Never break open battery packs and chargers and store only in dry rooms. Keep dry at all times.

To reduce the risk of injury, electric shock, and damage to the tool, never immerse your tool in liquid or allow a liquid to flow inside the tool.

SPECIFIED CONDITIONS OF USE

The caulking gun is intended to apply tube or sausage pack caulks and adhesives to surfaces. In case of doubt, please read the caulk or adhesive manufacturers' instructions.

Do not use this product in any other way as stated for normal use.

EC-DECLARATION OF CONFORMITY

We declare under our sole responsibility that this product is in conformity with the following standards or standardized documents.

EN 60745-1: 2009+A11: 2010;
EN 55014-1: 2006+A1: 2009+A2: 2011;
EN 55014-2: 1997+A1:2001+A2: 2008
in accordance with the regulations
2011/65/EU (RoHS), 2004/108/EC, 2006/42/EC.



Winnenden, 2012-06-11

Rainer Kumpf
Director Product Development

Authorized to compile the technical file

BATTERIES

New battery packs reach full loading capacity after 4 - 5 chargeings and dischargeings. Battery packs which have not been used for some time should be recharged before use.

Temperatures in excess of 50°C (122°F) reduce the performance of the battery pack. Avoid extended exposure to heat or sunshine (risk of overheating).

The contacts of chargers and battery packs must be kept clean.

For an optimum life-time, the battery packs have to be fully charged, after used.

To obtain the longest possible battery life remove the battery pack from the charger once it is fully charged.

For battery pack storage longer than 30 days:
Store the battery pack where the temperature is below 27°C and away from moisture

Store the battery packs in a 30% - 50% charged condition
Every six months of storage, charge the pack as normal.

BATTERY PACK PROTECTION LI-ION BATTERY

The battery pack has overload protection that protects it from being overloaded and helps to ensure long life. Under extreme stress the battery electronics switch off the machine automatically. To restart, switch the machine off and then on again. If the machine does not start up again, the battery pack may have discharged completely. In this case it must be recharged in the battery charger.

ADVICE FOR OPERATION**Anti-Drip and Rod Release**

The caulk gun features an automatic anti-drip to prevent drips after the trigger is released. When the trigger is released, the motor will run for a short time to release the rod.

When a tube is emptied, the motor will run for a short time to release the rod, then shut off. Release the trigger and change the tube.

Overload

When an overload occurs, the tool will reach the maximum drive force and continue to hold this maximum force until the user releases the trigger. If material is not dispensing, make sure that:

- Nozzle tip is cut
- Inner seal in the caulk tube is broken
- Hardened material is removed from the nozzle
- Caulk tube is not damaged or frozen
- Rod is free of caulk/adhesive materials

MAINTENANCE

CAUTION! Carriage and rod must remain clean and free of caulk and adhesive materials. Clean off materials according to caulk/adhesive manufacturer's recommendations.

Use only Milwaukee accessories and Milwaukee spare parts. Should components need to be replaced which have not been described, please contact one of our Milwaukee service agents (see our list of guarantee/service addresses).

If needed, an exploded view of the tool can be ordered. Please state the Article No. as well as the machine type printed on the label and order the drawing at your local service agents or directly at: Techtronic Industries GmbH, Max-Eyth-Straße 10, D-71364 Winnenden, Germany.

SYMBOLS

Please read the instructions carefully before starting the machine.



Always wear goggles when using the machine.



Remove the battery pack before starting any work on the machine.



Do not dispose of electric tools together with household waste material! In observance of European Directive 2002/96/EC on waste electrical and electronic equipment and its implementation in accordance with national law, electric tools that have reached the end of their life must be collected separately and returned to an environmentally compatible recycling facility. Opime ampro, qua poressula mant.

TECHNISCHE DATEN**Kartuschenpresse****M12 PCG**

Auspresskraft.....	1780 N
Spannung Wechselakku.....	12 V
Gewicht nach EPTA-Prozedur 01/2003 (1,5 Ah).....	1,86 kg
Gewicht nach EPTA-Prozedur 01/2003 (3,0 Ah).....	2,09 kg

Geräusch/Vibrationsinformation

Messwerte ermittelt entsprechend EN 60 745.

Der A-bewertete Geräuschpegel des Gerätes beträgt typischerweise:

Schalldruckpegel (K = 3 dB(A)).....	54,5 dB (A)
Schalleistungspegel (K = 3 dB(A)).....	65,5 dB (A)

Schwingungsgesamtwerte (Vektorsumme dreier Richtungen) ermittelt entsprechend EN 60745.

Schwingungsemissionswert a_n	< 2,5 m/s ²
Unsicherheit K =	1,5 m/s ²

WARNUNG

Der in diesen Anweisungen angegebene Schwingungspegel ist entsprechend einem in EN 60745 genormten Messverfahren gemessen worden und kann für den Vergleich von Elektrowerkzeugen miteinander verwendet werden. Er eignet sich auch für eine vorläufige Einschätzung der Schwingungsbelastung.

Der angegebene Schwingungspegel repräsentiert die hauptsächlichlichen Anwendungen des Elektrowerkzeugs. Wenn allerdings das Elektrowerkzeug für andere Anwendungen, mit abweichenden Einsatzwerkzeugen oder ungenügender Wartung eingesetzt wird, kann der Schwingungspegel abweichen. Dies kann die Schwingungsbelastung über den gesamten Arbeitszeitraum deutlich erhöhen.

Für eine genaue Abschätzung der Schwingungsbelastung sollten auch die Zeiten berücksichtigt werden, in denen das Gerät abgeschaltet ist oder zwar läuft, aber nicht tatsächlich im Einsatz ist. Dies kann die Schwingungsbelastung über den gesamten Arbeitszeitraum deutlich reduzieren.

Legen Sie zusätzliche Sicherheitsmaßnahmen zum Schutz des Bedieners vor der Wirkung von Schwingungen fest wie zum Beispiel: Wartung von Elektrowerkzeug und Einsatzwerkzeugen, Warmhalten der Hände, Organisation der Arbeitsabläufe.

⚠ WARNUNG! Lesen Sie alle Sicherheitshinweise und Anweisungen, auch die in der beiliegenden Broschüre. Versäumnisse bei der Einhaltung der Sicherheitshinweise und Anweisungen können elektrischen Schlag, Brand und/oder schwere Verletzungen verursachen.
Bewahren Sie alle Sicherheitshinweise und Anweisungen für die Zukunft auf.

SPEZIELLE SICHERHEITSHINWEISE

Die Hinweise in der Bedienungsanleitung des Ladegerätes beachten.

Beim Arbeiten mit der Maschine stets Schutzbrille tragen.

Vor allen Arbeiten an der Maschine den Wechselakku herausnehmen

Verbrauchte Wechselakkus nicht ins Feuer oder in den Hausmüll werfen. Milwaukee bietet eine umweltgerechte Alt-Wechselakku-Entsorgung an; bitte fragen Sie Ihren Fachhändler.

Wechselakkus nicht zusammen mit Metallgegenständen aufbewahren (Kurzschlussgefahr).

Wechselakkus des Systems C12 nur mit Ladegeräten des Systems C12 laden. Keine Akkus aus anderen Systemen laden.

Wechselakkus und Ladegeräte nicht öffnen und nur in trockenen Räumen lagern. Vor Nässe schützen.

Um dem Risiko von Verletzungen, Elektrischen Schlag, oder Zerstörung der Maschine vorzubeugen, niemals die Maschine in Flüssigkeit legen und keine Flüssigkeit in das Innere der Maschine gelangen lassen.

BESTIMMUNGSGEMÄRE VERWENDUNG

Die Kartuschenpresse ist bestimmt zum Auspressen von Dicht- oder Klebstoff aus Kartuschen oder Folienbeuteln. Bitte beachten Sie auch die Herstellerhinweise der Dicht- bzw Klebstoffhersteller.

Dieses Gerät darf nur wie angegeben bestimmungsgemäß verwendet werden.

CE-KONFORMITÄTSERKLÄRUNG

Wir erklären in alleiniger Verantwortung, dass dieses Produkt mit den folgenden Normen oder normativen Dokumenten übereinstimmt:
EN 60745-1: 2009+A11: 2010;
EN 55014-1: 2006+A1: 2009+A2: 2011;
EN 55014-2: 1997+A1:2001+A2: 2008
gemäß den Bestimmungen der Richtlinien 2011/65/EU (RoHS), 2004/108/EG, 2006/42/EG.



Winnenden, 2012-06-11

Rainer Kumpf
Director Product Development

Bevollmächtigt die technischen Unterlagen zusammenzustellen

AKKUS

Neue Wechselakkus erreichen ihre volle Kapazität nach 4-5 Lade- und Entladezyklen. Längere Zeit nicht benutzte Wechselakkus vor Gebrauch nachladen.

Eine Temperatur über 50°C vermindert die Leistung des Wechselakkus. Längere Erwärmung durch Sonne oder Heizung vermeiden.

Die Anschlusskontakte an Ladegerät und Wechselakku sauber halten.

Für eine optimale Lebensdauer müssen nach dem Gebrauch die Akkus voll geladen werden.

Für eine möglichst lange Lebensdauer sollten die Akkus nach dem Aufladen aus dem Ladegerät entfernt werden.

Bei Lagerung des Akkus länger als 30 Tage:

Akku bei ca. 27°C und trocken lagern.

Akku bei ca. 30%-50% des Ladezustandes lagern.

Akku alle 6 Monate erneut aufladen.

AKKUÜBERLASTSCHUTZ LI-ION AKKU

Der Akkupack ist mit einem Überlastschutz ausgestattet, der den Akku vor Überlastung schützt und eine hohe Lebensdauer sicherstellt.

Bei extrem starker Beanspruchung schaltet die Akkuelektronik die Maschine automatisch ab. Zum Weiterarbeiten Maschine Aus- und wieder Einschalten. Sollte die Maschine nicht wieder anlaufen, ist der Akkupack möglicherweise entladen und muss im Ladegerät wieder aufgeladen werden.

ARBEITSHINWEISE**Anti-Tropf Funktion**

Die Kartuschenpresse besitzt eine automatische Anti-Tropf Funktion. Nach Loslassen des Schalterdrückers läuft der Motor für kurze Zeit nach und entlastet so die Schubstange. Dies verhindert ein Nachtropfen.

Bei einer leeren Tube läuft der Motor kurz nach um die Schubstange zu entlasten. Dann den Schalterdrücker loslassen und die Tube wechseln.

Überlastung

So lange wie der Schalterdrücker gedrückt ist, baut die Maschine Druck auf. Sollte dennoch kein Material austreten, stellen Sie sicher dass:

Die Düsenspitze abgeschnitten ist.

Die Kartusche nicht undicht ist.

Ausgehärtetes Material wird von der Düse entfernt wurde

Die Kartusche nicht beschädigt oder gefroren ist

Die Schubstange frei von Dichtmasse oder Klebstoff ist.

WARTUNG

ACHTUNG! Schlitten und Schubstange müssen sauber und frei von Dichtmasse und Klebstoff sein. Verunreinigungen nach Empfehlungen des Dichtmasse-/Klebstoffherstellers entfernen.

Nur Milwaukee Zubehör und Milwaukee Ersatzteile verwenden. Bauteile, deren Austausch nicht beschrieben wurde, bei einer Milwaukee Kundendienststelle auswechseln lassen (Broschüre Garantie/ Kundendienstadressen beachten).

Bei Bedarf kann eine Explosionszeichnung des Gerätes unter Angabe der Maschinen Type und der zehnstelligen Nummer auf dem Leistungsschild bei Ihrer Kundendienststelle oder direkt bei Techtronic Industries GmbH, Max-Eyth-Straße 10, D-71364 Winnenden, Germany angefordert werden.

SYMBOLE

Bitte lesen Sie die Gebrauchsanweisung vor Inbetriebnahme sorgfältig durch.



Beim Arbeiten mit der Maschine stets Schutzbrille tragen.



Vor allen Arbeiten an der Maschine den Wechselakku herausnehmen



Werfen Sie Elektrowerkzeuge nicht in den Hausmüll! Gemäss Europäischer Richtlinie 2002/96/EG über Elektro- und Elektronik-Altgeräte und Umsetzung in nationales Recht müssen verbrauchte Elektrowerkzeuge getrennt gesammelt und einer umweltgerechten Wiederverwertung zugeführt werden.

CARACTÉRISTIQUES TECHNIQUES Pistolet à calfeutrer**M12 PCG**

Pression d'éjection	1780 N
Tension accu interchangeable	12 V
Poids suivant EPTA-Procédure 01/2003 (1,5 Ah).....	1,86 kg
Poids suivant EPTA-Procédure 01/2003 (3,0 Ah).....	2,09 kg

Informations sur le bruit et les vibrations

Valeurs de mesure obtenues conformément à la EN 60 745.

Les mesures réelles (A) des niveaux acoustiques de

l'appareil sont :

Niveau de pression acoustique (K=3dB(A))	54,5 dB (A)
Niveau d'intensité acoustique (K=3dB(A)).....	65,5 dB (A)

Valeurs totales des vibrations (somme vectorielle de trois sens) établies conformément à EN 60745.

Valeur d'émission vibratoire a_h

Incertitude K

AVERTISSEMENT

Le niveau vibratoire indiqué dans ces instructions a été mesuré selon un procédé de mesure normalisé dans la norme EN 60745 et peut être utilisé pour comparer des outils électriques entre eux. Il convient aussi à une estimation provisoire de la sollicitation par les vibrations.

Le niveau vibratoire indiqué représente les applications principales de l'outil électrique. Toutefois, si l'outil électrique est utilisé pour d'autres applications, avec des outils rapportés qui diffèrent ou une maintenance insuffisante, il se peut que le niveau vibratoire diverge. Cela peut augmenter nettement la sollicitation par les vibrations sur tout l'intervalle de temps du travail.

Pour une estimation précise de la sollicitation par les vibrations, on devrait également tenir compte des temps pendant lesquels l'appareil n'est pas en marche ou tourne sans être réellement en service. Cela peut réduire nettement la sollicitation par les vibrations sur tout l'intervalle de temps du travail.

Définissez des mesures de sécurité supplémentaires pour protéger l'utilisateur contre l'influence des vibrations, comme par exemple : la maintenance de l'outil électrique et des outils rapportés, le maintien au chaud des mains, l'organisation des déroulements de travail.

⚠ AVERTISSEMENT! Lisez toutes les consignes de sécurité et les instructions, même celles qui se trouvent dans la brochure ci-jointe. Le non-respect des avertissements et instructions indiqués ci après peut entraîner un choc électrique, un incendie et/ou de graves blessures sur les personnes.
Bien garder tous les avertissements et instructions.

INSTRUCTIONS DE SÉCURITÉ PARTICULIÈRES

Observer les remarques figurant dans le mode d'emploi du chargeur

Toujours porter des lunettes protectrices en travaillant avec la machine.

Avant tous travaux sur la machine retirer l'accu interchangeable.

Ne pas jeter les accus interchangeables usés au feu ou avec les déchets ménagers. Milwaukee offre un système d'évacuation écologique des accus usés.

Ne pas conserver les accus interchangeables avec des objets métalliques (risque de court-circuit)

Ne charger les accus interchangeables du système C12 qu'avec le chargeur d'accus du système C12. Ne pas charger des accus d'autres systèmes.

Ne pas ouvrir les accus interchangeables et les chargeurs et ne les stocker que dans des locaux secs. Les protéger contre l'humidité.

Ne jamais placer la machine dans des liquides et éviter que tout liquide pénètre à l'intérieur de la machine pour éviter les risques de blessure, de décharge électrique ou de destruction de la machine.

UTILISATION CONFORME AUX PRESCRIPTIONS

La presse pour cartouches à accu convient à éjecter du mastic ou de la colle des cartouches ou des sachets en film. Veuillez observer également les remarques du fabricant de mastics ou de colles.

Comme déjà indiqué, cette machine n'est conçue que pour être utilisée conformément aux prescriptions.

DECLARATION CE DE CONFORMITÉ

Nous déclarons sous notre responsabilité que ce produit est en conformité avec les normes ou documents normalisés suivants
EN 60745-1: 2009+A11: 2010;
EN 55014-1: 2006+A1: 2009+A2: 2011;
EN 55014-2: 1997+A1:2001+A2: 2008
conformément aux réglementations 2011/65/EU (RoHs), 2004/108/EC, 2006/42/EC



Winnenden, 2012-06-11

Rainer Kumpf
Director Product Development

Autorisé à compiler la documentation technique.

ACCUS

Les nouveaux accus interchangeables atteignent leur pleine capacité après 4-5 cycles de chargement et déchargement. Recharger les accus avant utilisation après une longue période de non utilisation.

Une température supérieure à 50°C amoindrit la capacité des accus. Eviter les expositions prolongées au soleil ou au chauffage.

Tenir propres les contacts des accus et des chargeurs.

Pour une durée de vie optimale, les accus doivent être chargés à fond après l'utilisation.

Pour une plus longue durée de vie, enlever les batteries du chargeur de batterie quand celles-ci seront chargées.

En cas d'entreposage de la batterie pour plus de 30 jours: Entreposer la batterie à 27°C environ dans un endroit sec. Entreposer la batterie avec une charge d'environ 30% - 50%. Recharger la batterie tous les 6 mois.

PROTECTION DE L'ACCU CONTRE LES SURCHARGES

Le bloc d'accus est équipé d'un dispositif de protection contre la surcharge qui protège l'accu contre une surcharge et qui assure une longue durée de vie.

En cas de sollicitation extrêmement élevée, l'unité électronique de l'accu éteint la machine automatiquement. Pour continuer le travail, il convient d'éteindre la machine et de l'enclencher à nouveau. Si la machine ne redémarre pas, il se peut que le bloc d'accus soit déchargé et qu'il doive être rechargé dans le chargeur.

CONSEILS PRATIQUES**Fonction anti-égouttement**

Le pistolet à calfeutrer est équipé d'une fonction anti-égouttement automatique. Si l'on relâche le bouton de fonctionnement, le moteur continuera à tourner pour un court laps de temps, en délestant la tige de poussée. On prévient ainsi l'égouttement.

Lorsque le tube sera vide, le moteur continuera à tourner pour un court laps de temps pour délester la tige de poussée. Puis relâcher le bouton de fonctionnement et remplacer le tube.

Surcharge

La machine accumule de la pression pendant toute la durée au cours de laquelle le bouton de fonctionnement est pressé. Mais si, malgré cela, il arrive que du matériau ne sort pas, s'assurer que:

La pointe de la buse a été coupée.

Le tube ne présente pas de pertes.

Tout matériau durci obstruant la buse a été éliminé.

Le tube n'a pas été abîmé ou n'est pas congelé.

La tige de poussée est exempte de mastic ou de colle.

ENTRETIEN

ATTENTION! Le coulisseau et la tige doivent être exemptes de tout matériau de calfatage et de colles. Eliminer les éventuels résidus en suivant les recommandations du producteur du matériau de calfatage et/ou de la colle.

Utiliser uniquement les accessoires Milwaukee et les pièces détachées Milwaukee. Faire remplacer les composants dont le remplacement n'a pas été décrit, par un des centres de service après-vente Milwaukee (observer la brochure avec les adresses de garantie et de service après-vente).

Si besoin est, une vue éclatée de l'appareil peut être fournie. S'adresser, en indiquant bien le numéro à dix chiffres porté sur la plaque signalétique, à votre station de service après-vente (voir liste jointe) ou directement à Techtronic Industries GmbHs, Max-Eyth-Straße 10, D-71364 Winnenden, Germany.

SYMBOLES

Veuillez lire avec soin le mode d'emploi avant la mise en service



Toujours porter des lunettes protectrices en travaillant avec la machine.



Avant tous travaux sur la machine retirer l'accu interchangeable.



Ne pas jeter les appareils électriques dans les ordures ménagères! Conformément à la directive européenne 2002/96/EG relative aux déchets d'équipements électriques ou électroniques (DEEE), et à sa transposition dans la législation nationale, les appareils électriques doivent être collectés à part et être soumis à un recyclage respectueux de l'environnement.

DATI TECNICI Pressa per cartucce M12 PCG

Pressione di estrusione	1780 N
Tensione batteria	12 V
Peso secondo la procedura EPTA 01/2003 (1,5 Ah)	1,86 kg
Peso secondo la procedura EPTA 01/2003 (3,0 Ah)	2,09 kg

Informazioni sulla rumorosità/sulle vibrazioni

Valori misurati conformemente alla norma EN 60745.

La misurazione A del livello di pressione acustica dell'utensile è di solito di:

Livello di rumorosità (K=3dB(A)).....	54,5 dB (A)
Potenza della rumorosità (K=3dB(A)).....	65,5 dB (A)

Valori totali delle oscillazioni (somma di vettori in tre direzioni) misurati conformemente alla norma EN 60745

Valore di emissione dell'oscillazione a_h	< 2,5 m/s ²
Incertezza della misura K	1,5 m/s ²

AVVERTENZA

Il livello di vibrazioni indicato nelle presenti istruzioni è stato misurato in conformità con un procedimento di misurazione codificato nella EN 60745 e può essere utilizzato per un confronto tra attrezzi elettrici. Inoltre si può anche utilizzare per una valutazione preliminare della sollecitazione da vibrazioni.

Il livello di vibrazioni indicato rappresenta le applicazioni principali dell'attrezzo elettrico. Se viceversa si utilizza l'attrezzo elettrico per altri scopi, con accessori differenti o con una manutenzione insufficiente, il livello di vibrazioni può risultare diverso. E questo può aumentare decisamente la sollecitazione da vibrazioni lungo l'intero periodo di lavorazione.

Ai fini di una valutazione precisa della sollecitazione da vibrazioni si dovrebbero tenere presente anche i periodi in cui l'apparecchio rimane spento oppure, anche se acceso, non viene effettivamente utilizzato. Ciò può ridurre notevolmente la sollecitazione da vibrazioni lungo l'intero periodo di lavorazione.

Stabilite misure di sicurezza supplementari per la tutela dell'operatore dall'effetto delle vibrazioni, come ad esempio: manutenzione dell'attrezzo elettrico e degli accessori, riscaldamento delle mani, organizzazione dei processi di lavoro.

AVVERTENZA! E' necessario leggere tutte le indicazioni di sicurezza e le istruzioni, anche quelle contenute nella brochure allegata. In caso di mancato rispetto delle avvertenze di pericolo e delle istruzioni operative si potrà creare il pericolo di scosse elettriche, incendi e/o incidenti gravi.

Conservare tutte le avvertenze di pericolo e le istruzioni operative per ogni esigenza futura.

NORME DI SICUREZZA

Osservare le avvertenze delle istruzioni per il funzionamento del caricatore.

Durante l'uso dell'apparecchio utilizzare sempre gli occhiali di protezione.

Prima di iniziare togliere la batteria dalla macchina.

Non gettare le batterie esaurite sul fuoco o nella spazzatura di casa. La Milwaukee offre infatti un servizio di recupero batterie usate.

Nel vano d'innesto per la batteria del caricatore non devono entrare parti metalliche.(pericolo di cortocircuito).

Le batterie del System C12 sono ricaricabili esclusivamente con i caricatori del System C12. Le batterie di altri sistemi non possono essere ricaricate.

Non aprire nè la batteria nè il caricatore e conservarli solo in luogo asciutto. Proteggerli dalla umidità.

Per prevenire il rischio di ferimenti, scossa elettrica o distruzione della macchina, non mettere mai la macchina in un liquido e non far pervenire mai liquido all'interno della macchina.

UTILIZZO CONFORME

La pistola ad accumulatore è adatta per spremere mastice o collante da cartucce o sacchetti in foglio. Per favore osservare anche le istruzioni per l'uso del fabbricante di mastice risp. di collante.

Utilizzare il prodotto solo per l'uso per cui è previsto.

DISPOSITIVO ANTISOVRACCARICO ACCUMULATORE

Il gruppo accumulatore è equipaggiato con un dispositivo antisovraccarico, che protegge l'accumulatore da qualsiasi sovraccarico e assicura un'elevata durata di vita. In caso di sollecitazione estremamente elevata, l'elettronica dell'accumulatore spegne la macchina automaticamente. Per poter continuare a lavorare bisogna spegnere e riaccendere la macchina. Se la macchina non dovesse riavviarsi, il gruppo accumulatore potrebbe essere scarico e va ricaricato nel carica-batteria.

ISTRUZIONI D'USO

Funzione anti-gocciolamento

La pressa per cartucce è equipaggiata di una funzione antigocciolamento automatica. Rilasciando il tasto di funzionamento, il motore continuerà a girare per un breve periodo, scaricando l'asta di spinta. In questo modo si previene lo sgocciolamento.

Quando la cartuccia sarà vuota, il motore continuerà a girare per un breve periodo per scaricare l'asta di spinta. Rilasciare poi il tasto di funzionamento e sostituire la cartuccia.

Sovraccarico

La macchina accumula pressione per tutto il tempo di azionamento del tasto di funzionamento. Se nonostante ciò non dovesse fuoriuscire del materiale, accertarsi che: La punta dell'ugello sia stata tagliata.

La cartuccia non perda.

Che l'ugello sia stato liberato da materiale indurito.

La cartuccia non sia stata danneggiata o congelata.

L'asta di spinta sia libera da mastice o colla.

MANUTENZIONE

ATTENZIONE! La slitta e l'asta devono essere liberi da materiale di calafataggio e collanti. Rimuovere gli eventuali residui secondo le raccomandazioni del produttore del materiale di calafataggio e/o del collante.

Usare solo accessori Milwaukee e pezzi di ricambio Milwaukee. Gruppi costruttivi la cui sostituzione non è stata descritta, devono essere fatti cambiare da un punto di servizio di assistenza tecnica al cliente Milwaukee (vedi depliant garanzia/indirizzi assistenza tecnica ai clienti).

In caso di mancanza del disegno esploso, può essere richiesto al seguente indirizzo: Techtronic Industries GmbH, Max-Eyth-Straße 10, D-71364 Winnenden, Germany.

SIMBOLI



Leggere attentamente le istruzioni per l'uso prima di mettere in funzione l'elettro-utensile.



Durante l'uso dell'apparecchio utilizzare sempre gli occhiali di protezione.



Prima di iniziare togliere la batteria dalla macchina.



Non gettare le apparecchiature elettriche tra i rifiuti domestici. Secondo la Direttiva Europea 2002/96/CE sui rifiuti di apparecchiature elettriche ed elettroniche e la sua attuazione in conformità alle norme nazionali, le apparecchiature elettriche esauste devono essere accolte separatamente, al fine di essere reimpiegate in modo eco-compatibile.

DICHIARAZIONE DI CONFORMITÀ CE

Dichiariamo, assumendo la piena responsabilità di tale dichiarazione, che il prodotto è conforme alla seguenti normative e ai relativi documenti:
EN 60745-1: 2009+A11: 2010;
EN 55014-1: 2006+A1: 2009+A2: 2011;
EN 55014-2: 1997+A1:2001+A2: 2008
in base alle prescrizioni delle direttive 2011/65/EU (RoHS), 2004/108/EC, 2006/42/EC



Winnenden, 2012-06-11

Rainer Kumpf
Director Product Development

Autorizzato alla preparazione della documentazione tecnica

BATTERIE

Le batterie nuove raggiungono la loro piena capacità dopo 4-5 cicli di carica e scarica. Batterie non utilizzate per molto tempo devono essere ricaricate prima dell'uso.

A temperature superiori ai 50°C, la potenza della batteria si riduce.

Evitare di esporre l'accumulatore a surriscaldamento prolungato, dovuto ad esempio ai raggi del sole o ad un impianto di riscaldamento.

Per una ottimale vita utile è necessario ricaricare completamente le batterie dopo l'uso.

Per una più lunga durata, rimuovere le batterie dai caricabatterie quando saranno cariche.

In caso di immagazzinaggio della batteria per più di 30 giorni:

Immagazzinare la batteria a circa 27°C in ambiente asciutto. Immagazzinare la batteria con carica di circa il 30% - 50%. Ricaricare la batteria ogni 6 mesi.

DATOS TÉCNICOS**Pistola de cartuchos****M12 PCG**

presión de eyección.....	1780 N
Voltaje de batería.....	12 V
Peso de acuerdo con el procedimiento EPTA 01/2003 (1,5 Ah).....	1,86 kg
Peso de acuerdo con el procedimiento EPTA 01/2003 (3,0 Ah).....	2,09 kg

Información sobre ruidos / vibraciones

Determinación de los valores de medición según norma EN 60 745.
El nivel de ruido típico del aparato determinado con un filtro

A corresponde a:

Presión acústica (K=3dB(A)).....	54,5 dB (A)
Resonancia acústica (K=3dB(A)).....	65,5 dB (A)

Nivel total de vibraciones (suma vectorial de tres direcciones) determinado según EN 60745.

Valor de vibraciones generadas a_n	< 2,5 m/s ²
Tolerancia K.....	1,5 m/s ²

ADVERTENCIA

El nivel vibratorio indicado en estas instrucciones ha sido medido conforme a un método de medición estandarizado en la norma EN 60745, y puede utilizarse para la comparación entre herramientas eléctricas. También es apropiado para una estimación provisional de la carga de vibración.

El nivel vibratorio indicado representa las aplicaciones principales de la herramienta eléctrica. Si, pese a ello, se utiliza la herramienta eléctrica para otras aplicaciones, con útiles adaptables diferentes o con un mantenimiento insuficiente, el nivel vibratorio puede diferir. Esto puede incrementar sensiblemente la carga de vibración durante todo el periodo de trabajo.

Para una estimación exacta de la carga de vibración deberían tenerse en cuenta también los tiempos durante los que el aparato está apagado o, pese a estar en funcionamiento, no está siendo realmente utilizado. Esto puede reducir sustancialmente la carga de vibración durante todo el periodo de trabajo.

Adopte medidas de seguridad adicionales para la protección del operador frente al efecto de las vibraciones, como por ejemplo: mantenimiento de la herramienta eléctrica y de los útiles adaptables, mantener las manos calientes, organización de los procesos de trabajo.

⚠ ADVERTENCIA! Rogamos leer las indicaciones de seguridad y las instrucciones, también las que contiene el folleto adjunto. En caso de no atenderse a las advertencias de peligro e instrucciones siguientes, ello puede ocasionar una descarga eléctrica, un incendio y/o lesión grave.
Guardar todas las advertencias de peligro e instrucciones para futuras consultas.

INSTRUCCIONES DE SEGURIDAD

Observar las indicaciones en las instrucciones de empleo del cargador

Para trabajar con la máquina, utilizar siempre gafas de protección.

Retire la batería antes de comenzar cualquier trabajo en la máquina.

No tire las baterías usadas a la basura ni al fuego. Los Distribuidores Milwaukee ofrecen un servicio de recogida de baterías antiguas para proteger el medio ambiente.

No almacene la batería con objetos metálicos (riesgo de cortocircuito).

Recargar solamente los acumuladores del Sistema C12 en cargadores C12. No intentar recargar acumuladores de otros sistemas.

No abra nunca las baterías ni los cargadores y guárdelos sólo en lugares secos. Protéjalos de la humedad en todo momento.

Para prevenir contra lastimaduras, electrochoques o destrucción de la máquina, no sumergir jamás la máquina en líquido y no dejar penetrar líquido al interior de la máquina

APLICACIÓN DE ACUERDO A LA FINALIDAD

La prensa para cartuchos con baterías sirve para exprimir material de obturación o pegamento de cartuchos o bolsas de plástico. Rogamos observar asimismo las indicaciones de los fabricantes con respecto a los materiales de obturación o bien pegamentos.

No utilice este producto para ninguna otra aplicación que no sea su uso normal.

DECLARACION DE CONFORMIDAD CE

Declaramos bajo nuestra sola responsabilidad que este producto está en conformidad con las normas o documentos normalizados siguientes.
EN 60745-1: 2009+A11: 2010;
EN 55014-1: 2006+A1: 2009+A2: 2011;
EN 55014-2: 1997+A1:2001+A2: 2008
de acuerdo con las regulaciones 2011/65/EU (RoHs), 2004/108/EC, 2006/42/EC



Winnenden, 2012-06-11

Rainer Kumpf
Director Product Development

Autorizado para la redacción de los documentos técnicos.

BATERIA

Las baterías nuevas alcanzan su plena capacidad de carga después de 4 - 5 cargas y descargas. Las baterías no utilizadas durante cierto tiempo deben ser recargadas antes de usar.

Las temperaturas superiores a 50°C reducen el rendimiento de la batería. Evite una exposición excesiva a fuentes de calor o al sol (riesgo de sobrecalentamiento).

Los puntos de contacto de los cargadores y las baterías se deben mantener limpios.

Para un tiempo óptimo de vida, deberán cargarse las baterías completamente después de su uso.

Para garantizar la máxima capacidad y vida útil, las baterías recargables se deberían retirar del cargador una vez finalizada la carga.

En caso de almacenar la batería recargable más de 30 días:

Almacenar la batería recargable en un lugar seco a una temperatura de aproximadamente 27°C.

Almacenar la batería recargable con un estado de carga del 30% y 50% aproximadamente.

Recargar la batería cada 6 meses.

PROTECCIÓN CONTRA SOBRECARGA DE LA BATERÍA

El paquete del acumulador está dotado de un dispositivo de protección contra la sobrecarga que asegura una prolongada vida útil.

En caso de esfuerzo extremadamente intenso, la electrónica del acumulador desconecta automáticamente la máquina. Para continuar trabajando, desconectar y conectar de nuevo la máquina. Si la máquina no se pone nuevamente en marcha, es posible que se haya descargado el acumulador por lo que deberá recargarse en el cargador.

SUGERENCIAS DE TRABAJO**Función anti-goteo**

La pistola de cartuchos posee una función anti-goteo automática. Después de soltar el interruptor, el motor sigue marchando en inercia durante un corto periodo de tiempo y descarga de este modo la biela de empuje. Debido a esta operación se evita un goteo

Si el cartucho está vacío, el motor sigue marchando en inercia durante un corto periodo de tiempo para descargar la biela de empuje. Entonces, soltar el interruptor y cambiar el cartucho.

Sobrecarga

Mientras se mantenga apretado el interruptor, la máquina genera una presión. Si, no obstante, no saliera ningún material, usted se deberá cerciorar de que:

La punta de la boquilla está cortada.

El cartucho no está estanco.

El material endurecido ha sido retirado de la boquilla.

El cartucho no está dañado ni está helado.

La barra de empuje está exenta de pasta obturadora o de adhesivo.

MANTENIMIENTO

¡ATENCIÓN! El carro y la barra de empuje deben estar limpios y exentos de pasta obturadora y de adhesivo. Retirar las impurezas de acuerdo con las recomendaciones del fabricante de la pasta obturadora y del adhesivo.

Utilice solamente accesorios y repuestos Milwaukee. En caso de necesitar reemplazar componentes no descritos, contacte con cualquiera de nuestras estaciones de servicio Milwaukee (consultar lista de servicios técnicos)

En caso necesario, puede solicitar un despiece de la herramienta. Por favor indique el número de impreso de diez dígitos que hay en la etiqueta y pida el despiece a la siguiente dirección: Techtronic Industries GmbH, Max-Eyth-Straße 10, D-71364 Winnenden, Germany.

SÍMBOLOS

Lea las instrucciones detenidamente antes de conectar la herramienta



Para trabajar con la máquina, utilizar siempre gafas de protección.



Retire la batería antes de comenzar cualquier trabajo en la máquina.



¡No deseche los aparatos eléctricos junto con los residuos domésticos! De conformidad con la Directiva Europea 2002/96/CE sobre residuos de aparatos eléctricos y electrónicos su aplicación de acuerdo con la legislación nacional, las herramientas eléctricas cuya vida útil haya llegado a su fin se deberán recoger por separado y trasladar a una planta de reciclaje que cumpla con las exigencias ecológicas.

CARACTERÍSTICAS TÉCNICAS Pistola para tubos M12 PCG

Pressão de ejeção.....	1780 N
Tensão do acumulador.....	12 V
Peso nos termos do procedimento-EPTA 01/2003 (1,5 Ah)...	1,86 kg
Peso nos termos do procedimento-EPTA 01/2003 (3,0 Ah)...	2,09 kg

Informações sobre ruído/vibração

Valores de medida de acordo com EN 60 745.

O nível de ruído avaliado A do aparelho é tipicamente:

Nível da pressão de ruído (K=3dB(A)).....	54,5 dB (A)
Nível da potência de ruído (K=3dB(A)).....	65,5 dB (A)

Valores totais de vibração (soma dos vectores das três direcções) determinadas conforme EN 60745.

Valor de emissão de vibração a _n	< 2,5 m/s ²
Incerteza K.....	1,5 m/s ²

ATENÇÃO

O nível vibratório indicado nestas instruções foi medido em conformidade com um procedimento de medição normalizado na EN 60745 e pode ser utilizado para comparar entre si ferramentas eléctricas. O mesmo é também adequado para avaliar provisoriamente o esforço vibratório.

O nível vibratório indicado representa as principais aplicações da ferramenta eléctrica. Se, no entanto, a ferramenta eléctrica for utilizada para outras aplicações, com outras ferramentas adaptadas ou uma manutenção insuficiente, o nível vibratório poderá divergir. Isto pode aumentar consideravelmente o esforço vibratório ao longo de todo o período do trabalho.

Para uma avaliação exacta do esforço vibratório devem também ser considerados os tempos durante os quais o aparelho está desligado ou está a funcionar, mas não está efectivamente a ser utilizado. Isto pode reduzir consideravelmente o esforço vibratório ao longo de todo o período do trabalho.

Defina medidas de segurança suplementares para proteger o operador do efeito das vibrações, como por exemplo: manutenção da ferramenta eléctrica e das ferramentas adaptadas, manter as mãos quentes, organização das sequências de trabalho.

⚠ ATENÇÃO! Leia todas as instruções de segurança e todas as instruções, também aquelas que constam na brochura conjunta. O desrespeito das advertências e instruções apresentadas abaixo pode causar choque eléctrico, incêndio e/ou graves lesões.
Guarde bem todas as advertências e instruções para futura referência.

INSTRUÇÕES DE SEGURANÇA

Cumprir as indicações das Instruções de Utilização do carregador.

Usar sempre óculos de protecção ao trabalhar com a máquina.

Antes de efectuar qualquer intervenção na máquina retirar o bloco acumulador.

Não queimar acumuladores gastos nem deitá-los no lixo doméstico. A Milwaukee possui uma eliminação de acumuladores gastos que respeita o meio ambiente.

Não guardar acumuladores junto com objectos metálicos (perigo de curto-circuito).

Use apenas carregadores do Sistema C12 para recarregar os acumuladores do Sistema C12. Não utilize acumuladores de outros sistemas.

Carregadores só devem ser utilizados em recintos secos.

Para evitar o risco de lesões, choques eléctricas ou danos na máquina, nunca mergulhar a máquina em líquidos nem verter líquidos para o seu interior.

UTILIZAÇÃO AUTORIZADA

A pistola de bateria para cartuchos é adequada para aplicar cola ou vedante fornecidos em cartuchos ou bisnagas. Consultar igualmente as notas do fabricante do vedante e/ou da cola.

Não use este produto de outra maneira sem ser a normal para o qual foi concebido.

Armazene o pacote de bateria com aprox. 30%-50% da carga completa.
Carregue o pacote de bateria novamente de 6 em 6 meses.

PROTECÇÃO DE SOBRECARGA DE BATERIA

As baterias estão equipadas com uma protecção contra sobrecarga, que as protege de uma sobrecarga e lhes conferem uma longa durabilidade. No caso de um esforço extremamente elevado a electrónica das baterias desliga automaticamente o aparelho. Para continuar a trabalhar desligar e voltar a ligar o aparelho. Se o aparelho não se voltar a ligar, é porque o conjunto das baterias está possivelmente descarregado e tem de voltar a ser carregado na carregadora.

SUGESTÕES PARA OPERAÇÃO**Função anti-gotejamento**

A pistola para tubos possui uma função anti-gotejamento automática. Depois de soltar o gatilho, o motor funcionará algum tempo por inércia para descarregar a biela. Isso evita o gotejamento.

Quando o tubo estiver vazio, o motor funcionará algum tempo por inércia para descarregar a biela. A seguir, solte o gatilho e troque o tubo.

Sobrecarga

Enquanto o gatilho estiver activado, a máquina reduzirá a pressão. Se, mesmo assim, nenhum material sair, assegure-se que:

A ponta do bocal esteja cortada.

O tubo não tenha fuga.

O material endurecido tenha sido removido do bocal.

O tubo não esteja danificado ou congelado.

A biela esteja livre de massa de vedação ou cola.

MANUTENÇÃO

CUIDADO! O carro e a biela devem estar limpos e livres de massa de vedação e cola. Remova a sujeira de acordo com as instruções do fabricante da massa de vedação/cola.

Utilizar apenas acessórios Milwaukee e peças sobresselentes Milwaukee. Os componentes cuja substituição não esteja descrita devem ser substituídos num serviço de assistência técnica Milwaukee (consultar a brochura relativa à garantia/moradas dos serviços de assistência técnica).

A pedido e mediante indicação da referência de dez números que consta da chapa de características da máquina, pode requerer-se um desenho explosivo da ferramenta eléctrica a: Techtronic Industries GmbH, Max-Eyth-Straße 10, D-71364 Winnenden, Germany.

SYMBOLE

Leia atentamente o manual de instruções antes de colocar a máquina em funcionamento.



Usar sempre óculos de protecção ao trabalhar com a máquina.



Antes de efectuar qualquer intervenção na máquina retirar o bloco acumulador.



Não deite ferramentas eléctricas no lixo doméstico! De acordo com a directiva europeia 2002/96/CE sobre ferramentas eléctricas e electrónicas usadas e a transposição para as leis nacionais, as ferramentas eléctricas usadas devem ser recolhidas em separado e encaminhadas a uma instalação de reciclagem dos materiais ecológica.

DECLARAÇÃO DE CONFORMIDADE CE

Declaramos, sob nossa exclusiva responsabilidade, que este produto cumpre as seguintes normas ou documentos normativos:

EN 60745-1: 2009+A11: 2010;

EN 55014-1: 2006+A1: 2009+A2: 2011;

EN 55014-2: 1997+A1:2001+A2: 2008

conforme as disposições das directivas 2011/65/EU (RoHS), 2004/108/EC, 2006/42/EC



Winnenden, 2012-06-11

Rainer Kumpf
Director Product Development

Autorizado a reunir a documentação técnica.

ACUMULADOR

Acumuladores novos atingem a sua plena capacidade após 4-5 ciclos de carga e descarga. Acumuladores não utilizados durante algum tempo devem ser recarregados antes da sua utilização.

Temperaturas acima de 50°C reduzem a capacidade do bloco acumulador. Evitar exposição prolongada ao sol ou a caloríferos.

Manter limpos os contactos eléctricos no carregador e no bloco acumulador.

Para uma vida útil óptima das baterias, terá que carregá-las plenamente após a sua utilização.

Para assegurar uma vida útil longa, o pacote de bateria deve ser removido da carregadora depois do carregamento.

Se o pacote de bateria for armazenado por mais de 30 dias: Armazene o pacote de bateria com aprox. 27°C em um lugar seco.

TECHNISCHE GEGEVENS**Cartouchepers****M12 PCG**

Uitpersdruk	1780 N
Spanning wisselakku	12 V
Gewicht volgens de EPTA-procedure 01/2003 (1,5 Ah)	1,86 kg
Gewicht volgens de EPTA-procedure 01/2003 (3,0 Ah)	2,09 kg

Geluids-/trillingsinformatie

Meetwaarden vastgesteld volgens EN 60 745.

Het kenmerkende A-gewogen geluidsniveau van de machine bedraagt:

Geluidsdrukniveau (K=3dB(A))	54,5 dB (A)
Geluidsvermogeniveau (K=3dB(A))	65,5 dB (A)

Totale trillingswaarden (vectorsom van drie richtingen)

bepaald volgens EN 60745.

Trillingsemissiewaarde a_h	< 2,5 m/s ²
Onzekerheid K	1,5 m/s ²

WAARSCHUWING

De in deze aanwijzingen vermelde trillingsdruk is gemeten volgens een in EN 60745 genormeerde meetmethode en kan worden gebruikt voor de onderlinge vergelijking van apparaten. Hij is ook geschikt voor een voorlopige inschatting van de trillingsbelasting.

De aangegeven trillingsdruk geldt voor de meest gebruikelijke toepassingen van het elektrische apparaat. Wanneer het elektrische gereedschap echter voor andere doeleinden, met andere dan de voorgeschreven hulpstukken gebruikt of niet naar behoren onderhouden wordt, kan de trillingsdruk afwijken. Dit kan de waarde van de trillingsdruk over de hele werkperiode aanzienlijk verhogen.

Voor een nauwkeurige inschatting van de trillingsdruk moeten ook de tijden in aanmerking worden genomen dat het apparaat uitgeschakeld is of weliswaar loopt, maar niet werkelijk in gebruik is. Dit kan de waarde van de trillingsdruk over de hele werkperiode aanzienlijk verminderen.

Bepaal extra veiligheidsmaatregelen ter bescherming van de bediener tegen de inwerking van trillingen, bijvoorbeeld: onderhoud van elektrische gereedschappen en apparaten, warmhouden van de handen, organisatie van de werkprocessen.

WAARSCHUWING! Lees alle veiligheidsinstructies en aanwijzingen door - ook die in de bijgeleverde brochure. Als de waarschuwingen en voorschriften niet worden opgevolgd, kan dit een elektrische schok, brand of ernstig letsel tot gevolg hebben.
Bewaar alle waarschuwingen en voorschriften voor toekomstig gebruik.

VEILIGHEIDSAADVIEZEN

Let op de aanwijzingen in de handleiding van het laadtoestel.

Bij het werken met de machine altijd een veiligheidsbril dragen.

Voor alle werkzaamheden aan de machine de accu verwijderen.

Verbruikte accu's niet in het vuur of bij het huisvuil werpen. Milwaukee biedt namelijk een milieuvriendelijke recyclingmethode voor uw oude accu's.

Wisselakku's niet bij metalen voorwerpen bewaren (kortsluitingsgevaar!).

Wisselakku's van het Akku-Systeem C12 alléén met laadapparaten van het Akku-Systeem C12 laden. Geen accu's van andere systemen laden.

Wisselakku's en laadapparaten niet openen en alleen in droge ruimtes opslaan. Tegen vocht beschermen.

Om het risico voor letsel, elektrische schokken of onherstelbare schade aan het apparaat te voorkomen, mag u het nooit in vloeistof onderdompelen en moet u verhinderen dat vloeistof in het apparaat dringt.

VOORGESCHREVEN GEBRUIK VAN HET SYSTEEM

De accu-patroonpers is geschikt voor het uitpersen van pakkingkit of lijm uit patronen of foliezakjes. Let ook op de aanwijzingen van de fabrikant van de pakkingkit resp. de lijm.

Dit apparaat uitsluitend gebruiken voor normaal gebruik, zoals aangegeven.

EC - VERKLARING VAN OVEREENSTEMMING

Wij verklaren dat dit produkt voldoet aan de volgende normen of normatieve documenten:
EN 60745-1: 2009+A11: 2010;
EN 55014-1: 2006+A1: 2009+A2: 2011;
EN 55014-2: 1997+A1:2001+A2: 2008
overeenkomstig de bepalingen van de richtlijnen 2011/65/EU (RoHS), 2004/108/EG, 2006/42/EG



Winnenden, 2012-06-11

Rainer Kumpf
Director Product Development

Gemachtigd voor samenstelling van de technische documenten

AKKU

Nieuwe wisselakku's bereiken hun volle capaciteit na 4-5 laad-/ontlaadcycli. Langere tijd niet toegepaste wisselakku's vóór gebruik altijd naladen.

Een temperatuur boven de 50°C vermindert de capaciteit van de accu. Langdurige verwarming door zon of hitte vermijden.

De aansluitcontacten aan het laadapparaat en de accu schoonhouden.

Voor een optimale levensduur moeten de accu's na het gebruik volledig opgeladen worden.

Voor een zo lang mogelijke levensduur van de accu's dienen deze na het opladen uit het laadtoestel te worden verwijderd.

Bij een langere opslag van de accu dan 30 dagen: accu bij ca. 27 °C droog bewaren.
accu bij ca. 30 % - 50 % van de laadtoestand bewaren.
accu om de 6 maanden opnieuw opladen.

OVERBELASTINGSBEVEILIGING VAN DE ACCU

Het accupak is uitgerust met een overbelastingsbeveiliging die de accu tegen overbelasting beschermt en een lange levensduur garandeert.
Bij extreem sterke belasting schakelt de accuelektroica de machine automatisch uit. Schakel de machine uit en weer in om door te kunnen werken. Wanneer de machine niet meer start, is het accupak mogelijksterwijs ontladen en moet het in het laadtoestel worden opgeladen.

WERKRICHTLIJNEN**Antidruppelfunctie**

De cartouchepers beschikt over een automatische antidruppelfunctie. Na het loslaten van de drukschakelaar loopt de motor nog even door en ontlast zo de schuifstang. Hierdoor wordt nadruppelen voorkomen.

In geval van een lege tube loopt de motor nog even door om de schuifstang te ontlasten. Laat vervolgens de drukschakelaar los en vervang de tube.

Overbelasting

Zo lang u de drukschakelaar ingedrukt houdt, bouwt de machine druk op. Als desondanks geen materiaal vrijkomt, dient u te waarborgen dat:

de spits van het spuitkop afgesneden is.

de cartouche niet lekt.

verhard materiaal van de spuitkop verwijderd werd.

de cartouche niet beschadigd of bevroren is.

de schuifstang vrij is van afdichtmiddel of lijm.

ONDERHOUD

OPGELET! De slede en de schuifstang moeten schoon en vrij van afdicht- en kleefmiddel zijn. Verwijder de verontreinigingen volgens de aanbevelingen van de afdicht-/kleefmiddelfabrikant.

Gebruik uitsluitend Milwaukee toebehoren en onderdelen. Indien componenten die moeten worden vervangen niet zijn beschreven, neem dan contact op met een officieel Milwaukee servicecentrum (zie onze lijst met servicecentra).

Onder vermelding van het tiencijferige nummer op het machineplaatje is desgewenst een doorsnedetekening van de machine verkrijgbaar bij: Techtronic Industries GmbH, Max-Eyth-Straße 10, D-71364 Winnenden, Germany.

SYMBOLEN

Graag instructies zorgvuldig doorlezen vóórdat u de machine in gebruik neemt.



Bij het werken met de machine altijd een veiligheidsbril dragen.



Voor alle werkzaamheden aan de machine de accu verwijderen.



Geef elektrisch gereedschap niet met het huisvuil mee! Volgens de Europese richtlijn 2002/96/EG inzake oude elektrische en elektronische apparaten en de toepassing daarvan binnen de nationale wetgeving, dient gebruikt elektrisch gereedschap gescheiden te worden ingezameld en te worden afgevoerd naar een recycle bedrijf dat voldoet aan de geldende milieu-eisen.

TEKNISKE DATA **Patronpistol** **M12 PCG**

Udpresningstryk.....	1780 N
Udskiftningsbatteriets spænding	12 V
Vægt svarer til EPTA-procedure 01/2003 (1,5 Ah)	1,86 kg
Vægt svarer til EPTA-procedure 01/2003 (3,0 Ah)	2,09 kg

Støj/Vibrationsinformation

Måleværdier beregnes iht. EN 60 745.

Værktøjets A-vurderede støjniveau er typisk:

Lydtrykniveau (K=3dB(A))	54,5 dB (A)
Lydeffekt niveau (K=3dB(A)).....	65,5 dB (A)

Samlede vibrationsværdier (værdisum for tre retninger)

beregnet iht. EN 60745.

Vibrationseksponering $a_{h,v}$< 2,5 m/s²Usikkerhed K.....1,5 m/s²**ADVARSEL**

Svingningsniveauet, som er angivet i disse anvisninger, er målt i henhold til standardiseret måleprocedure ifølge EN 60745 og kan anvendes til indbyrdes sammenligning mellem el-værktøjer. Svingningsniveauet er ligeledes egnet som foreløbigt skøn over svingningsbelastningen.

Det angivne svingningsniveau er baseret på el-værktøjets primære anvendelsesformål. Hvis el-værktøjet benyttes til andre formål, med andet indsatsværktøj eller ikke vedligeholdes tilstrækkeligt, kan svingningsniveauet afvige. Dette kan øge svingningsbelastningen over den samlede arbejdsperiode betydeligt.

For en nøjagtig vurdering af svingningsbelastningen skal der også tages højde for de tidsperioder, hvor apparatet er slukket, eller hvor apparatet kører, men uden at være i anvendelse. Dette kan reducere svingningsbelastningen over den samlede arbejdsperiode betydeligt.

Supplerende sikkerhedsforanstaltninger til beskyttelse af brugeren mod påvirkninger fra svingninger skal iværksættes, f.eks.:

Vedligeholdelse af el-værktøj og indsatsværktøj, varmholdelse af hænder, organisering af arbejdsprocesser.

⚠ ADVARSEL! Læs alle sikkerhedsanvisninger og øvrige vejledninger, også i den vedlagte brochure. I tilfælde af manglende overholdelse af advarselshenvisningerne og instrukserne er der risiko for elektrisk stød, brand og/eller alvorlige kvæstelser. Opbevar alle advarselshenvisninger og instrukser til senere brug.

SIKKERHEDSHENVISNINGER

Følg anvisningerne i betjeningsvejledningen til ladeenheden.

Når der arbejdes med maskinen, skal man have beskyttelsesbriller på.

Ved arbejde inden i maskinen, bør batteriet tages ud.

Opbrugte udskiftningsbatterier må ikke brændes eller kasseres sammen med alm. husholdningsaffald. Milwaukee har en miljørigtig bortskaffelse af gamle udskiftningsbatterier, henvend Dem til Deres forhandler.

Opbevar ikke udskiftningsbatterier sammen med metalgenstande af fare for kortslutning.

Brug kun C12 ladeapparater for opladning af System C12 batterier.

Udskiftningsbatterier og opladere må ikke åbnes og skal opbevares i tørre rum. Beskyt dem mod fugtighed.

For at imødegå risikoen for personskade, elektrisk stød og ødelæggelse af maskinen: Læg ikke maskinen i væske, og lad ikke væske trænge ind i maskinen

TILTÆNKT FORMÅL

Den batteridrevne fugepresse er beregnet til udpresning af tætnings- eller klæbemiddel fra patroner eller folieposer. Læs også anvisningerne fra producenten af tætnings- eller klæbemidlet.

Produktet må ikke anvendes på anden måde og til andre formål end foreskrevet.

CE-KONFORMITETSERKLÆRING

Vi erklærer under almindeligt ansvar, at dette produkt er i overensstemmelse med følgende normer eller norma-tive dokumenter.

EN 60745-1: 2009+A11: 2010;

EN 55014-1: 2006+A1: 2009+A2: 2011;

EN 55014-2: 1997+A1:2001+A2: 2008

i henhold til bestemmelserne i direktiverne 22011/65/EU (RoHS), 2004/108/EF, 2006/42/EF



Winnenden, 2012-06-11

Rainer Kumpf
Director Product Development

Autoriseret til at udarbejde de tekniske dokumenter.

BATTERI

Nye udskiftningsbatterier opnår deres fulde kapacitet efter 4-5 oplade- og afladecykler. Udskiftningsbatterier, der ikke har været brugt i længere tid, efterlades inden brug.

Ved temperaturer over 50°C formindskes batteriets effekt. Undgå direkte sollys og stærk varme.

Tilslutningskontakterne på oplader og udskiftningsbatterier skal holdes rene.

For at opnå en optimal levetid skal de genopladelige batterier oplades fuldt efter brug.

For at sikre en så lang levetid som muligt skal batterierne tages ud af ladeaggregatet efter opladning.

Skal batterierne opbevares længere end 30 dage:

Temperatur ca. 27°C i tørre omgivelser.

Opbevares ved ca. 30%-50% af ladetilstanden.

Batteri skal genoplades hver 6. måned.

OVERBELASTNINGSSIKRING FOR BATTERI

Akkupack'en er udstyret med en overbelastningssikring, som beskytter akkumulatorbatteriet mod overbelastning og sikrer en høj levetid.

Ved ekstrem kraftig belastning kobler batteriets elektronik automatisk maskinen fra. Sluk og tænd maskinen igen for at genoptage driften. Går maskinen ikke i gang igen, er akkupack'en muligvis afladt og skal genoplades i ladeaggregatet.

ARBEJDS- VEJLEDNING**Antidryp-funktion**

Patronpistolen har en automatisk antidryp-funktion. Når trykkontakten slippes, kører motoren kortvarigt videre og aflaster på den måde stødstangen. Herved forhindres efterdryp.

Når tuben er tom, kører motoren kortvarigt videre for at aflaste stødstangen. Slip så trykkontakten, og udskift tuben.

Overbelastning

Så længe trykkontakten holdes inde, opbygger maskinen et tryk. Hvis der alligevel ikke trænger materiale ud, så kontroller venligst, at: Spidsen af dysen er kappet af.

Patronen ikke er utæt.

Hærdet materiale er fjernet fra dysen

Patronen ikke er beskadiget eller frossen

Stødstangen er fri for fugemasse og klæbestof.

VEDLIGEHOLDELSE

VIGTIGT! Slæde og stødstang skal være rene og fri for fugemasse og klæbestof. Urenheder fjernes ifølge anbefalingerne fra producenten af fugemassen/klæbestoffet.

Brug kun Milwaukee-tilbehør og Milwaukee-reservedele.

Komponenter, hvor udskiftningsproceduren ikke er beskrevet, skal skiftes ud hos et Milwaukee-servicested (se brochure garanti/kundeserviceadresser).

Ved opgivelse af type nr. der er angivet på maskinens effektskilt, kan De rekvirere en reservedelstegning, ved henvendelse til: Techtronic Industries GmbH, Max-Eyth-Straße 10, D-71364 Winnenden, Germany.

SYMBOLER

Læs brugsanvisningen nøje før ibrugtagning.



Når der arbejdes med maskinen, skal man have beskyttelsesbriller på.



Ved arbejde inden i maskinen, bør batteriet tages ud.



Elværktøj må ikke bortskaffes som almindeligt affald! I henhold til det europæiske direktiv 2002/96/EF om bortskaffelse af elektriske og elektroniske produkter og gældende national lovgivning skal brugt værktøj indsamles separat og bortskaffes på en måde, der skåner miljøet mest muligt.

TEKNISKE DATA **Fugemassepistol** **M12 PCG**

Utpressingstrykk.....	1780 N
Spennning vekselbatteri.....	12 V
Vekt i henhold til EPTA-Proseduren 01/2003 (1,5 Ah).....	1,86 kg
Vekt i henhold til EPTA-Proseduren 01/2003 (3,0 Ah).....	2,09 kg

Støy/Vibrasjonsinformasjon

Måleverdier fastslått i samsvar med EN 60 745.

Det typiske A-bedømte støynivået for maskinen er:

Lydtrykknivå (K=3dB(A)).....	54,5 dB (A)
Lydeffektnivå (K=3dB(A)).....	65,5 dB (A)

Totale svingningsverdier (vektorsum fra tre retninger) beregnet jf. EN 60745.

Svingningsemisjonsverdi a_h	< 2,5 m/s ²
Usikkerhet K.....	1,5 m/s ²

ADVARSEL

Svingningsnivået som er angitt i denne instruksjonen er målt i overensstemmelse med målemetoden normert i direktiv EN 60745 og kan brukes til å sammenligne elektromaskiner med hverandre. Den egner seg også for en foreløbig vurdering av svingningsbelastningen.

Det angitte svingningsnivået representerer de hovedsaklige bruk av elektroverktøyet. Men anvendes elektroverktøyet for andre bruk med avvikende utskiftbare verktøy eller vedlikeholdet er utilstrekkelig, kan svingningsnivået være avvikende.

Dette kan forhøye svingningsbelastning betydelig over hele arbeidsperioden. For en nøyaktig vurdering av svingningsbelastningen må også det tas hensyn til tiden apparatet er avslått eller står på, men ikke er i bruk. Dette kan redusere svingningsbelastningen betydelig over hele arbeidsperioden.

Innfør også ekstra sikkerhetstiltak for å beskytte bruker mot utvirkingen av svingningene. Disse kan f.eks. være: vedlikehold av elektroverktøyet og det utskiftbare verktøyet, holde hendene varme, organisasjon av arbeidsforløpet.

⚠ ADVARSEL! Les alle sikkerhetsinstruksjoner og bruksanvisninger, også de i den vedlagte brosjyren. Feil ved overholdelsen av advarslene og nedenstående anvisninger kan medføre elektriske støt, brann og/eller alvorlige skader.
Ta godt vare på alle advarslene og informasjonene.

SPEIELLE SIKKERHETSHENVISNINGER

Vær obs på instruksjonene i bruksanvisningen til laderen.

Bruk alltid vernebrille når du arbeider med maskinen.

Ta ut vekselbatteriet før du arbeider på maskinen

Ikke kast brukte vekselbatterier i varmen eller husholdningsavfallet. Milwaukee tilbyr en miljøriktig deponering av gamle vekselbatterier; vennligst spør din fagforhandler.

Ikke oppbevar vekselbatterier sammen med metallgjenstander (kortslutningsfare).

Vekselbatterier av systemet C12 skal kun lades med lader av systemet C12. Ikke lad opp batterier fra andre systemer.

Ikke åpne vekselbatterier og ladere, de skal oppbevares i tørre rom. Beskyttes mot fuktighet.

For å forbygge risikoen av skader, elektrisk slag eller ødeleggelse av maskinen, skal maskinen aldri ligge i flytende væske og heller ingen flytende væske må komme inn i maskinen

FORMÅLSMESSIG BRUK

Fugepistol Patronpresset med batteri er egnet til å presse tettemasse eller klistre på patroner eller plastposer. Se også opplysninger om tettemasse henholdsvis klistre som gis av virksomheter som fremstiller disse.

Dette apparatet må kun brukes til de oppgitte formål.

CE-SAMSVARERKLÆRING

Vi erklærer på eget ansvar at dette produktet stemmer overens med de følgende normer eller normative dokumenter.
EN 60745-1: 2009+A11: 2010;
EN 55014-1: 2006+A1: 2009+A2: 2011;
EN 55014-2: 1997+A1:2001+A2: 2008
i henhold til bestemmelsene i direktivene 2011/65/EU (RoHS), 2004/108/EF, 2006/42/EF



Winnenden, 2012-06-11

Rainer Kumpf

Rainer Kumpf
Director Product Development

Autorisert til å utarbeide den tekniske dokumentasjonen

BATTERIER

Nye vekselbatterier når sin fulle kapasitet etter 4-5 lade- og utladesyklus. Vekselbatterier som ikke er brukt over lengre tid skal etterlades før bruk.

En temperatur over 50°C reduserer vekselbatteriets kapasitet. Unngå oppvarming i sol eller ved varmeovner (fyring) i lengre tid.

Hold tilkoplingskontaktene på lader og vekselbatteri rene.

For optimal holdbarhet må batteriene lades opp helt etter bruk.

For å sikre en lengst mulig brukstid av batteriene skal disse etter oppladning taes ut av laderen.

Ved lagring av batteriene lengre enn 30 dager:

Lagre batteriet tørt ved ca. 27°C.

Lagre batteriet ved en oppladningstilstand på ca. 30%-50%.

Lade opp batteriet igjen etter 6 måneder.

OVERBELASTNINGSVERN FOR OPPLADBARE BATTERIER

Batteripakken er utstyrt med overbelastningsvern som beskytter det oppladbare batteriet mot overbelastning og sikrer en lang levetid.

Ved ekstrem høy belastning kobler maskinens batterielektronikk seg automatisk ut. For å fortsette å arbeide må maskinen slås av og så på igjen. Starter maskinen ikke igjen er batteripakken muligens utladet og må lades opp igjen i laderen.

ARBEIDSHENVISNINGER**Anti drypp funksjon**

Fugemassepistolen har en automatisk anti drypp funksjon. Etter at man slipper trykkbryteren fortsetter motoren å gå en liten stund og avlaster slik veivstangen. Dette forhindrer at det drypper.

Når tuben er tom fortsetter motorer å gå en liten stund for å avlaste veivstangen. Slipp deretter løs trykkbryteren og skift tuben.

Overbelastning

Maskinen bygger opp trykk så lenge trykkbryteren trykkes. Kommer det ikke ut materiale, må kontrolleres om:

Dysespissen er kuttet av.

Beholderen ikke er utett.

Hart materiale er fjernet fra dysen.

Beholderen ikke er ødelagt eller frossen.

Veivstangen er fri for tetningsmasse eller lim.

VEDLIKEHOLD

OBS! Slede og veivstang skal være rene og fri for tetningspasta og klebestoff. Fjern tilsmussing som anbefalt av produsenten av tetningspasta og klebestoff.

Bruk kun Milwaukee tilbehør og Milwaukee reservedeler. Komponenter der utskiftning ikke er beskrevet skal skiftes ut hos Milwaukee kundeservice (se brosjyre garanti/kundeserviceadresser).

Ved behov kan du be om en eksplosjonstegning av apparatet hos din kundeservice eller direkte hos Techtronic Industries GmbH, Max-Eyth-Straße 10, D-71364 Winnenden, Germany. Oppgi maskintype og det tilsifrete nummeret på typeskiltet.

SYMBOLER

Les nøye gjennom bruksanvisningen før maskinen tas i bruk.



Bruk alltid vernebrille når du arbeider med maskinen.



Ta ut vekselbatteriet før du arbeider på maskinen



Kast aldri elektroverktøy i husholdningsavfallet! I henhold til EU-direktiv 2002/96/EF om kasserte elektriske og elektroniske produkter og direktivets iverksetting i nasjonal rett, må elektroverktøy som ikke lenger skal brukes, samles separat og returneres til et miljøvennlig gjenvinningsanlegg.

TEKNISKA DATA **Kartuschpress** **M12 PCG**

Arbetstryck.....	1780 N
Batterispänning.....	12 V
Vikt enligt EPTA 01/2003 (1,5 Ah).....	1,86 kg
Vikt enligt EPTA 01/2003 (3,0 Ah).....	2,09 kg

Buller-/vibrationsinformation

Mätvärdena har tagits fram baserade på EN 60 745.

A-värdet av maskinens ljudnivå utgör:

Ljudtrycksnivå (K=3dB(A)).....	54,5 dB (A)
Ljudeffektsnivå (K=3dB(A)).....	65,5 dB (A)

Totala vibrationsvärden (vektorsumma ur tre riktningar)

framtaget enligt EN 60745.

Vibrationsemissionsvärde a_n < 2,5 m/s²

Onoggrannhet K 1,5 m/s²

VARNING

Den i de här anvisningarna angivna vibrationsnivån har uppmätts enligt ett i EN 60745 normerat mätförfarande och kan användas vid jämförelse mellan olika elverktyg. Nivån är även lämplig att använda vid en preliminär bedömning av vibrationsbelastningen.

Den angivna vibrationsnivån representerar den huvudsakliga användningen av det aktuella elverktyget. Men om elverktyget ska användas i andra användningsområden, tillsammans med avvikande insatsverktyg eller efter otillräckligt underhåll, kan vibrationsnivån skilja sig. Det kan öka vibrationsbelastningen betydligt under hela arbetstiden.

För att få en exaktare bedömning av vibrationsbelastningen ska även den tid beaktas, under vilken elverktyget är avstängt eller är påslaget, utan att det verkligen används. Det kan reducera vibrationsbelastningen betydligt under hela arbetstiden.

Lägg som skydd för användaren fast extra säkerhetsåtgärder mot vibrationernas verkan, som till exempel: underhåll av elverktyg och insatsverktyg, varmhållning av händer och organisering av arbetsförlopp.

⚠ VARNING! Läs alla säkerhetsanvisningar och andra tillhörande anvisningar, även de i den medföljande broschyren. Fel som uppstår till följd av att anvisningarna nedan inte följts kan orsaka elstöt, brand och/eller allvariga kroppsskador.

Förvara alla varningar och anvisningar för framtida bruk.

SÄKERHETSUTRUSTNING

Observera anvisningarna i bruksanvisningen till laddaren.

Använd alltid skyddsglasögon.

Drag ur batteripaket innan arbete utföres på maskinen.

Kasta inte förbrukade batterier. Lämna dem till Milwaukee Tools för återvinning.

Förvara ej batteriet ihop med metallföremål, kortslutning kan uppstå.

System C12 batterier laddas endast i System C12 laddare. Ladda inte batterier från andra system.

Batterier lagras torrt och skyddas för fukt.

För att förebygga risken för personskador, elektriska stötar eller skador på verktyget får det aldrig läggas i våtskor. Se även till att vätska inte kan komma in i verktygets inre.

ANVÄND MASKINEN ENLIGT ANVISNINGARNA

Den batteridrivna patronsprutan är lämpad för sprutning av tätningemedel eller lim ur patroner eller foliepåsar. Observera även de anvisningar som ges av respektive tillverkare av tätningemedlet eller limmet.

Maskinen får endast användas för angiven tillämpning.

CE-FÖRSÄKRAN

Vi intygar och ansvarar för, att denna produkt överensstämmer med följande norm och dokument
 EN 60745-1: 2009+A11: 2010;
 EN 55014-1: 2006+A1: 2009+A2: 2011;
 EN 55014-2: 1997+A1:2001+A2: 2008
 enl. bestämmelser och riktlinjerna 2011/65/EU (RoHS), 2004/108/EG, 2006/42/EG



Winnenden, 2012-06-11

Rainer Kumpf

Rainer Kumpf
 Director Product Development

Befullmäktigad att sammanställa teknisk dokumentation.

BATTERIER

Nya batterier uppnår max effekt efter 4-5 laddningscykler. Batteri som ej använts på länge måste laddas före nytt bruk.

En temperatur över 50°C reducerar batteriets effekt. Undvik längre uppvärmning tex i solen eller nära ett element.

Se till att anslutningskontaktarna i laddaren och på batteriet är rena.

För att batterierna ska få lång livslängd ska de laddas fulla efter användning.

För att få en så lång livslängd som möjligt bör laddningsbara batterier avlägsnas från laddaren när de är laddade.

Om laddningsbara batterier lagras längre än 30 dagar: Lagra batteriet torrt och vid ca 27°C.

Lagra batteriet vid ca 30%-50% av laddningskapaciteten. Ladda batterierna på nytt var 6:e månad.

BATTERI-ÖVERBELASTNINGSSKYDD

Batteripaketet är utrustat med ett överlastskydd som skyddar batteriet mot överbelastning och därmed säkerställer en lång livslängd.

Vid extremt stark belastning stänger batterielektroniken av maskinen automatiskt. Stäng först av och slå sedan på maskinen igen för att fortsätta att arbeta. Skulle maskinen inte starta igen, är batteripaketet kanske urladdat och måste på laddas upp igen i laddaren.

HANTERINGS- ANVISNING**Anti-dropp funktion**

Kartuschpressen har en automatisk anti-dropp funktion. När du släpper tryckknappen fortsätter motorn att gå en kort stund och avlastar så tryckstängens. Denna avlastning förhindrar efterdroppning.

När en tub är tom fortsätter motorn att gå en kort stund och avlastar så tryckstängens. Släpp sedan tryckknappen och byt ut tuben.

Överbelastning

Så länge som du trycker på tryckknappen alstrar maskinen tryck. Om det ändå inte skulle komma ut något material kontrollera då:

att du har klippt av munstyckstoppen,

att kartuschen inte är otät,

att material som har hårdnat har avlägsnats från munstycket,

att kartuschen inte har tagit skada eller är fryst,

att tryckstängens är fri från tätningssmassa eller lim.

SKÖTSEL

SE UPP! Sliden och skjutstängens ska vara rena och fria från tätningssmassa och lim. Ta bort föroreningar enligt tätningssmassa-/limtillverkarens rekommendationer.

Använd endast Milwaukee-tillbehör och Milwaukee-reservdelar. Komponenter, för vilka inget byte beskrivs, skall bytas ut hos Milwaukee-kundtjänst (se broschyren garanti-/kundtjänstadresser).

Vid behov av sprängskiss, kan en sådan, genom att uppge maskinens art. nr. (som finns på typskylten) erhållas från: Techtronic Industries GmbHs, Max-Eyth-Straße 10, D-71364 Winnenden, Germany.

SYMBOLER

Läs instruktionen noga innan du startar maskinen.



Använd alltid skyddsglasögon.



Drag ur batteripaket innan arbete utföres på maskinen.



Elektriska verktyg får inte kastas i hushållssoporna! Enligt direktivet 2002/96/EG som avser äldre elektrisk och elektronisk utrustning och dess tillämpning enligt nationell lagstiftning ska uttjänta elektriska verktyg sorteras separat och lämnas till miljövänlig återvinning.

TEKNISET ARVOT Patruunapistooli M12 PCG

Puserussuipaine	1780 N
Jännite vaihtoakku	12 V
Paino EPA-menetelyn 01/2003 mukaan (1,5 Ah)	1,86 kg
Paino EPA-menetelyn 01/2003 mukaan (3,0 Ah)	2,09 kg

Melunpäästö-/täriä tiedot

Mitta-arvot määritetty EN 60 745 mukaan.

Koneen tyyppillinen A-luokitettu melutaso:

Melutaso (K=3dB(A))	54,5 dB (A)
Äänivoimakkuus (K=3dB(A))	65,5 dB (A)

Värähtelyn yhteisarvot (kolmen suunnan vektorisumma) mitattuna EN 60745 mukaan.

Värähtelyemissioarvo a_h	< 2,5 m/s ²
Epävarmuus K	1,5 m/s ²

VAROITUS

Näissä ohjeissa mainittu värähtelytaso on mitattu EN 60745 -standardin mukaisella mittausmenetelmällä ja sitä voidaan käyttää sähkötyökalujen vertaamiseen. Sitä voidaan käyttää myös värähtelyrasituksen väliaikaiseen arviointiin.

Mainittu värähtelytaso edustaa sähkötyökalun pääasiallista käyttöä. Jos sähkötyökalua kuitenkin käytetään muihin tehtäviin, poikkeavin työkaluun tai riittämättömästi huoltaen, värähtelytaso voi olla erilainen. Se voi korottaa värähtelyrasitusta koko työajan osalta.

Tarkan värähtelyrasituksen toteamiseen tulee ottaa huomioon aika, jona laite on kytketty pois tai on kylläkin päällä, mutta ei käytössä. Se voi pienentää värähtelyrasitusta koko työajan osalta.

Määrittele lisäturvatoimenpiteitä käyttäjän suojaamiseksi värinöiden vaikutukselta, kuten esimerkiksi: sähkötyökalujen ja käyttötyökalujen huolto, käsien lämpiminä pitäminen, työvaiheiden organisaatio.

VAROITUS! Lue kaikki, myös oheistetussa esitteessä annetut turvallisuusmääräykset ja käyttöohjeet. Turvallisuusohjeiden noudattamisen laiminlyönti saattaa johtaa sähköiskuun, tulipaloon ja/tai vakavaan loukkaantumiseen.
Säilytä kaikki turvallisuus- ja muut ohjeet tulevaisuutta varten.

TURVALLISUUSOHJEET

Ota huomioon latauslaitteen käyttöohjeessa annetut ohjeet.

Käytä laitteella työskennellessäsi aina suojalaseja.

Ota akku pois ennen kaikkia koneeseen tehtäviä toimenpiteitä.

Käytettyjä vaihtoakkuja ei saa polttaa eikä poistaa normaalin jätehuollon kautta. Milwaukeeella on tarjolla vanhoja vaihtoakkuja varten ympäristöystävällinen jätehuoltopalvelu.

Vaihtoakkuja ei saa säilyttää yhdessä metalliesineiden kanssa (oikosulkuvaara).

Käytä ainoastaan System C12 latauslaitetta System C12 akkujen lataukseen. Älä käytä muiden järjestelmien akkuja.

Vaihtoakkuja ja latauslaitteita ei saa avata. Säilytys vain kuivissa tiloissa. Suojattava kosteudelta.

Torjuaksesi loukkaantumisvaaran, sähköiskun tai koneen rikkoontumisen, älä pane konetta koskaan nesteeseen äläkä anna minkään nesteen päästä koneen sisään.

TARKOITUKSEN MUKAINEN KÄYTTÖ

Akkukäyttöinen patruunapuserin soveltuu tiivisteaineiden tai liiman puseruttamiseen patruunoista tai kelmupusseista. Noudata myös tiivisteaineen tai liiman valmistajan antamia ohjeita.

Älä käytä tuotetta ohjeiden vastaisesti.

TODISTUS CE-STANDARDIN MUKAISUUDESTA

Todistamme täten ja vastaamme yksin siitä, että tämä tuote on allalueteltujen standardien ja standardoimisasiakirjojen vaatimusten mukainen.

EN 60745-1: 2009+A11: 2010;
EN 55014-1: 2006+A1: 2009+A2: 2011;
EN 55014-2: 1997+A1:2001+A2: 2008
seuraavien säätöjen mukaisesti:
2011/65/EU (RoHS), 2004/108/EY, 2006/42/EY



Winnenden, 2012-06-11

Rainer Kumpf
Director Product Development

Valtuutettu kokoamaan tekniset dokumentit.

AKKU

Uudet vaihtoakut saavuttavat täyden varauskyvyn 4-5 latauksen ja purkauksen jälkeen. Pitkään käyttämättä olleet vaihtoakut on ladattava ennen käyttöä.

Yli 50°C lämpötilassa akun suorituskyky heikkenee.

Välttämättä akkujen säilyttämistä auringossa tai kuumissa tiloissa.

Pidä aina latauslaitteen ja akun kosketinpinnat puhtaina.

Optimaalisen käyttöön saavuttamiseksi akut on ladattava täyteen käytön jälkeen.

Mahdollisimman pitkän elinajan takaamiseksi akut tulee poistaa laturista lataamisen jälkeen.

Akkua yli 30 päivää säilytettäessä:

Säilytä akku yli 27 °C:ssa ja kuivassa.

Säilytä akku sen latauksen ollessa 30 % - 50 %.

Lataa akku 6 kuukauden välein uudelleen.

AKUN YLIKUORMITUSSUOJAUS

Akkusarja on varustettu ylikuormitussuojalla, joka suojaaa akkua ylikuormituksesta ja varmistaa sen pitkän elinkaaren. Äärimmäisrasituksessa akkuelektronikka sammuttaa koneen automaattisesti. Työn jatkamiseksi kone kytketään pois ja sitten jälleen päälle. Jos kone ei käynnisty uudelleen, niin akkusarja saattaa olla tyhjentynyt ja se täytyy ladata uudelleen latauslaitteella.

KÄYTTÖVIHJEITÄ

Vuotamista estävä toiminto

Patruunapistoolissa on automaattinen vuotamista estävä toiminto. Kun painimesta päästää irti, moottori käy vielä jonkin aikaa ja vapauttaa näin työntötangon. Se estää jälkivuotamisen.

Patruunan ollessa tyhjä moottori käy vielä jonkin aikaa ja vapauttaa näin työntötangon. Sen jälkeen painimesta voi päästää irti ja vaihtaa patruunan.

Ylikuormitus

Niin kauan kun paininta painetaan, moottori muodostaa painetta. Jos materiaalia ei kuitenkaan tule ulos, varmista, että:

Suuttimen pää on leikattu irti.

Patruuna ei ole epätiivis.

Suuttimesta on poistettu kovettunut materiaali.

Patruuna ei ole vioittunut tai jäätynyt.

Työntötangossa ei ole tiivistysmateriaalia tai liimaa.

HUOLTO

HUOMIO! Kelkan ja työntötangon täytyy olla puhtaita, eikä niissä saa olla tiivistemassaa tai liimaa. Poista epäpuhtaudet tiivistemassan/liiman valmistajan suositusten mukaisesti.

Käytä ainoastaan Milwaukee lisätarvikkeita ja Milwaukee varaosia. Mikäli jokin komponentti, jota ei ole kuvailtu, tarvitsee vaihtoa ota yhteys johonkin Milwaukee palvelupisteistä (kts. listamme takuuhuoltoiliikkeiden/ palvelupisteiden osoitteista)

Tarpeen vaatiessa voit pyytää lähettämään laitteen kokoonpanopiirustuksen ilmoittamalla arvokilven kymmennumeroinen numeron seuraavasta osoitteesta: Techtronic Industries GmbH, Max-Eyth-Straße 10, D-71364 Winnenden, Germany.

SYMBOLIT



Lue käyttöohjeet huolellisesti, ennen koneen käynnistämistä.



Käytä laitteella työskennellessäsi aina suojalaseja.



Tarkista pistotulppa ja verkkojohto mahdollisilta vaurioilta. Viat saa korjata vain alan erikoismies.



Älä hävitä sähkötyökalua tavallisen kotitalousjätteen mukana! Vanhoja sähkö- ja elektroniikkalaitteita koskevan EU-direktiivin 2002/96/ETY ja sen maakohtaisten sovellusten mukaisesti käytetyt sähkötyökalut on toimitettava ongelmajätteen keräyspisteeseen ja ohjattava ympäristöystävälliseen kierrätykseen.

ΤΕΧΝΙΚΑ ΣΤΟΙΧΕΙΑ **Πιστόλι σιλικόνης** **M12 PCG**

Πίεση εξαγωγής.....	1780 N
Τάση ανταλλακτικής μπαταρίας.....	12 V
Βάρος σύμφωνα με τη διαδικασία EPTA 01/2003 (1,5 Ah).....	1,86 kg
Βάρος σύμφωνα με τη διαδικασία EPTA 01/2003 (3,0 Ah).....	2,09 kg

Πληροφορίες θορύβου/δονήσεων
 Τιμές μέτρησης εξακριβωμένες κατά EN 60 745.
 Η σύμφωνα με την καμπύλη A εκτιμηθείσα στάθμη θορύβου του μηχανήματος αναφέρεται σε:
 Στάθμη ηχητικής πίεσης (K=3dB(A)) 54,5 dB (A)
 Στάθμη ηχητικής ισχύος (K=3dB(A)) 65,5 dB (A)

Υλικές τιμές κραδασμών (άθροισμα διανυσμάτων τριών διευθύνσεων) εξακριβώθηκαν σύμφωνα με τα πρότυπα EN 60745.
 Τιμή εκπομπής δονήσεων a_n < 2,5 m/s²
 Ανασφάλεια K 1,5 m/s²

ΠΡΟΕΙΔΟΠΟΙΗΣΗ

Το αναφερόμενο σ' αυτές τις οδηγίες επίπεδο δονήσεων έχει μετρηθεί με μια τυποποιημένη σύμφωνα με το EN 60745 μέθοδο μέτρησης και μπορεί να χρησιμοποιηθεί για τη σύγκριση των ηλεκτρικών εργαλείων μεταξύ τους. Αυτό είναι επίσης κατάλληλο για μια προσωρινή εκτίμηση της επιβάρυνση των δονήσεων.

Το αναφερόμενο επίπεδο δονήσεων αντιπροσωπεύει τις κύριες χρήσεις του ηλεκτρικού εργαλείου. Εάν όμως το ηλεκτρικό χρησιμοποιείται σε άλλες χρήσεις, με διαφορετικά εργαλεία εφαρμογής ή ανεπαρκή συντήρηση, μπορεί να υπάρξει απόκλιση του επιπέδου δονήσεων. Αυτό μπορεί να αυξήσει σημαντικά την επιβάρυνση των δονήσεων για τη συνολική διάρκεια της εργασίας

Για μια ακριβή εκτίμηση της επιβάρυνσης των δονήσεων οφείλουν επίσης να λαμβάνονται υπόψη οι χρόνοι, στους οποίους η συσκευή είναι απενεργοποιημένη ή είναι μεν ενεργοποιημένη αλλά δεν χρησιμοποιείται πραγματικά. Αυτό μπορεί να μειώσει σημαντικά την επιβάρυνση των δονήσεων για τη συνολική διάρκεια της εργασίας.

Καθορίζετε πρόσθετα μέτρα ασφαλείας για την προστασία του χειριστή από την επίδραση των δονήσεων όπως για παράδειγμα: Συντήρηση του ηλεκτρικού εργαλείου και των εργαλείων εφαρμογής, διατηρείτε ζεστά τα χέρια, οργάνωση των διαδικασιών εργασίας.

⚠ ΠΡΟΕΙΔΟΠΟΙΗΣΗ! Διαβάστε όλες τις Υποδείξεις ασφαλείας και τις Οδηγίες, και αυτές στο επισυναπτόμενο φυλλάδιο. Αμέλειες κατά την τήρηση των προειδοποιητικών υποδείξεων μπορεί να προκαλέσουν ηλεκτροπληξία, κίνδυνο πυρκαγιάς ή/και σοβαρούς τραυματισμούς. **Φυλάξτε όλες τις προειδοποιητικές υποδείξεις και οδηγίες για κάθε μελλοντική χρήση.**

ΕΙΔΙΚΕΣ ΥΠΟΔΕΙΞΕΙΣ ΑΣΦΑΛΕΙΑΣ

Να προσέξετε τις υποδείξεις στην Οδηγία χρήσης για τη συσκευή φόρτισης
 Στις εργασίες με τη μηχανή φοράτε πάντοτε προστατευτικά γυαλιά.

Πριν από κάθε εργασία στη μηχανή αφαιρείτε την ανταλλακτική μπαταρία.

Μην πετάτε τις μεταχειρισμένες ανταλλακτικές μπαταρίες στη φωτιά ή στα οικιακά απορρίμματα. Η Milwaukee προσφέρει μια απόσυρση των παλιών ανταλλακτικών μπαταριών σύμφωνα με τους κανόνες προστασίας του περιβάλλοντος, ρωτήστε παρακαλώ σχετικά στο ειδικό κατάστημα πώλησης.

Μην αποθηκεύετε τις ανταλλακτικές μπαταρίες μαζί με μεταλλικά αντικείμενα (κίνδυνος βραχυκυκλώματος).

Φορτίζετε τις ανταλλακτικές μπαταρίες του συστήματος C12 μόνο με φορτιστές του συστήματος C12. Μη φορτίζετε μπαταρίες από άλλα συστήματα.

Μην ανοίγετε τις ανταλλακτικές μπαταρίες και τους φορτιστές και χρησιμοποιείτε για αποθήκευση μόνο στεγνούς χώρους. Προστατεύετε τις ανταλλακτικές μπαταρίες και τους φορτιστές από την υγρασία.

Προς αποφυγή του κινδύνου από τραυματισμούς, ηλεκτροπληξία ή καταστροφή της μηχανής, μη βάζετε τη μηχανή ποτέ σε υγρά και μην αφήνετε να εισέλθουν υγρά στο εσωτερικό της μηχανής.

ΜΠΑΤΑΡΙΕΣ

Οι νέες ανταλλακτικές μπαταρίες φθάνουν στην πλήρη χωρητικότητά τους μετά από 4-5 κύκλους φόρτισης και εκφόρτισης. Επαναφορτίζετε τις ανταλλακτικές μπαταρίες που δεν έχουν χρησιμοποιηθεί για μεγαλύτερο χρονικό διάστημα πριν τη χρήση.

Μια θερμοκρασία πάνω από 50°C μειώνει την ισχύ της ανταλλακτικής μπαταρίας. Αποφεύγετε τη θέρμανση για μεγαλύτερο χρονικό διάστημα από τον ήλιο ή τις συσκευές θέρμανσης.

Διατηρείτε τις επαφές σύνδεσης στο φορτιστή και στην ανταλλακτική μπαταρία καθαρές.

Για μια άριστη διάρκεια ζωής πρέπει μετά τη χρήση οι μπαταρίες να φορτιστούν πλήρως.

Για μια κατά το δυνατόν μεγάλη διάρκεια ζωής οι μπαταρίες μετά τη φόρτιση οφείλουν να αφαιρεθούν από το φορτιστή.

Για την αποθήκευση της μπαταρίας για διάστημα μεγαλύτερο των 30 ημερών:

Αποθηκεύετε τη μπαταρία περ. στους 27°C σε στεγνό χώρο. Αποθηκεύετε τη μπαταρία περ. στο 30%-50% της κατάστασης φόρτισης. Κάθε 6 μήνες φορτίζετε εκ νέου τη μπαταρία.

ΠΡΟΣΤΑΣΙΑ ΥΠΕΡΦΟΡΤΩΣΗΣ ΤΗΣ ΜΠΑΤΑΡΙΑΣ

Το πακέτο μπαταρίας είναι εξοπλισμένο με μια προστασία υπερφόρτωσης, η οποία προστατεύει τη μπαταρία από υπερφόρτωση και εξασφαλίζει μια μεγάλη διάρκεια ζωής. Σε ιδιαίτερα υψηλή καταπόνηση ο ηλεκτρονικός εξοπλισμός της μπαταρίας απενεργοποιεί αυτόματα τη μηχανή. Για να συνεχίσετε την εργασία απενεργοποιείτε και ενεργοποιείτε πάλι τη μηχανή. Εάν δεν ξεκινήσει πάλι η μηχανή, πιθανά το πακέτο μπαταρίας να είναι άδειο και θα πρέπει να φορτιστεί εκ νέου στη συσκευή φόρτισης.

ΥΠΟΔΕΙΞΕΙΣ ΕΡΓΑΣΙΑΣ

Λειτουργία προστασίας σταξίματος
 Το πιστόλι σιλικόνης διαθέτει μια αυτόματη λειτουργία προστασίας σταξίματος. Μετά την ελευθέρωση της σκανδάλης ο κινητήρας συνεχίζει να λειτουργεί για σύντομο διάστημα και αποφορτίζει έτσι τη ράβδο ώθησης. Αυτό αποτρέπει το στάξιμο.

Σε ένα άδειο σωληνάριο ο κινητήρας συνεχίζει να λειτουργεί για σύντομο διάστημα για να αποφορτίσει τη ράβδο ώθησης. Στη συνέχεια ελευθερώνετε τη σκανδάλη και αντικαθιστάτε το σωληνάριο.

Υπερφόρτωση
 Για όσο διάστημα πατιέται η σκανδάλη, το εργαλείο αναπτύσσει πίεση. Εάν παρόλα αυτά δεν εξέρχεται υλικό, εξασφαλίζετε:
 Η μύτη του ακροφυσίου να είναι κομμένη.
 Το φουσίγγιο να μην έχει διαρροή.
 Το σκληρωμένο υλικό να έχει αφαιρεθεί από το ακροφύσιο
 Το φουσίγγιο να μην έχει υποστεί ζημιά ή παγώσει
 Η ράβδος ώθησης να είναι καθαρή από στεγανοποιητικά υλικά ή κόλλες.


ΣΥΝΤΗΡΗΣΗ


ΠΡΟΣΟΧΗ! Ολισθητήρας και ράβδος ώθησης πρέπει να είναι καθαρά και χωρίς στεγανοποιητικά υλικά ή κόλλες. Αφαιρείτε τις βρομιές σύμφωνα με τις συστάσεις του προμηθευτή του στεγανοποιητικού υλικού/της κόλλας.


Χρησιμοποιείτε μόνο πρόσθ. εξαρτήματα Milwaukee και ανταλλακτικά Milwaukee. Κατασκ. τμήματα, που η αλλαγή τους δεν περιγράφεται, αντικαθιστώνται σε μια τεχνική υποστήριξη της Milwaukee (βλέπε φυλλάδιο εγγύηση/διευθύνσεις τεχνικής υποστήριξης).


Όταν χρειάζεται, μπορείτε να ζητήσετε ένα σχέδιο συναρμολόγησης της συσκευής, δίνοντας τον τύπο της μηχανής και το δεκαψήφιο αριθμό στην πινακίδα ισχύος, από το κέντρο σέρβις ή απευθείας από τη φίρμα Techtronic Industries GmbH, Max-Eyth-Sträe 10, D-71364 Winnenden, Germany.

ΣΥΜΒΟΛΑ

 Παρακαλώ διαβάστε σχολαστικά τις οδηγίες χρήσης πριν από την έναρξη λειτουργίας.

 Στις εργασίες με τη μηχανή φοράτε πάντοτε προστατευτικά γυαλιά.

 Πριν από κάθε εργασία στη μηχανή αφαιρείτε την ανταλλακτική μπαταρία.

 Μην πετάτε τα ηλεκτρικά εργαλεία στον κάδο οικιακών απορριμμάτων! Σύμφωνα με την ευρωπαϊκή οδηγία 2002/96/EK περί ηλεκτρικών και ηλεκτρονικών συσκευών και την ενσωμάτωσή της στο εθνικό δίκαιο, τα ηλεκτρικά εργαλεία πρέπει να συλλέγονται ξεχωριστά και να πιστεφώνται για ανακύκλωση με τρόπο φιλικό προς το περιβάλλον.

TEKNİK VERİLER Kartuşların presi M12 PCG

Pres basıncı.....	1780 N
Kartuş akü gerilimi.....	12 V
Ağırlığı ise EPTA-üretici 01/2003'e göre (1,5 Ah).....	1,86 kg
Ağırlığı ise EPTA-üretici 01/2003'e göre (3,0 Ah).....	2,09 kg

Gürültü/Vibrasyon bilgileri

Ölçüm değerleri EN 60 745 e göre belirlenmektedir.

Aletin, frekansa bağımlı uluslararası ses basıncı seviyesi değerlendirme eğrisi A'ya göre tipik gürültü seviyesi:

Ses basıncı seviyesi (K=3dB(A)).....	54,5 dB (A)
Akustik kapasite seviyesi (K=3dB(A)).....	65,5 dB (A)

Toplam titreşim değeri (üç yönün vektör toplamı) EN 60745'e göre belirlenmektedir:

titreşim emisyon değeri a _h	< 2,5 m/s ²
Tolerans K.....	1,5 m/s ²

UYARI

Bu talimatlarda belirtilen titreşim seviyesi, EN 60745 standardına uygun bir ölçme metodu ile ölçülmüştür ve elektrikli el aletleri birbiriyle karşılaştırmak için kullanılabilir. Ölçüm sonuçları ayrıca titreşim yükünün geçici değerlendirilmesi için de uygundur.

Belirtilen titreşim seviyesi, elektrikli el aletinin genel uygulamaları için geçerlidir. Ancak elektrikli el aleti başka uygulamalar için, farklı eklenti parçalarıyla ya da yetersiz bakım koşullarında kullanılırsa, titreşim seviyesi farklılık gösterebilir. Bu durumda, titreşim yükü toplam çalışma zaman aralığı içerisinde belirgin ölçüde yükselebilir.

Titreşim yükünün tam bir değerlendirmesi için ayrıca cihazın kapalı olduğu süreler ve cihazın çalışır durumda olduğu, ancak gerçek kullanımda bulunmadığı süreler de dikkate alınmalıdır. Böylelikle, toplam çalışma zamanı aralığı boyunca meydana gelen titreşim yükü belirgin ölçüde azaltılabilir.

Kullanıcıyı titreşimlerin etkisinden korumak üzere, örneğin elektrikli el aletlerinin ve eklenti parçalarının bakımı, ellerin sıcak tutulması ve iş akışlarının organizasyonu gibi ek güvenlik tedbirleri belirleyiniz.

⚠ UYARI! Güvenlikle ilgili bütün açıklamaları, talimatları ve ilişikteki broşürde yazılı bulunan hususları okuyunuz. Açıklanan uyarılara ve talimat hükümlerine uyulmadığı takdirde elektrik çarpmalarına, yangınlara ve/veya ağır yaralanmalara neden olunabilir.
Bütün uyarıları ve talimat hükümlerini ileride kullanmak üzere saklayın.

GÜVENLİĞİNİZ İÇİN TALİMATLAR

Akümlatöre ait kullanma kılavuzundaki açıklayıcı bilgileri dikkate alın

Aletle çalışırken daima koruyucu gözlük kullanın.

Aletin kendinde bir çalışma yapmadan önce kartuş aküyü çıkarın.

Kullanılmış kartuş aküleri ateşe veya ev çöplerine atmayın. Milwaukee, kartuş akülerin çevreye zarar vermeyecek biçimde tasfiye edilmesine olanak sağlayan hizmet sunar; lütfen bu konuda yetkili satıcınızdan bilgi alın.

Kartuş aküleri metal parça veya eşyalarla birlikte saklamayın (kısa devre tehlikesi).

C12 sistemli kartuş aküleri sadece C12 sistemli şarj cihazları ile şarj edin. Başka sistemli aküleri şarj etmeyin.

Kartuş aküleri ve şarj cihazını açmayın ve sadece kuru yerlerde saklayın. Neme ve ıslanmaya karşı koruyun.

Yaralanma, elektrik çarpmasına kapılma veya makinenin zarar görmesini önlemek amacıyla ile makineyi hiçbir zaman sıvı içine yatırmayın ve makinenin içini sıvı maddeler ile temas ettirmeyin

KULLANIM

Akü kartuş presi, kartuş veya folye torbalarındaki sızdırmaz veya yapışkan maddelerinin preslenmesi için uygundur. Lütfen sızdırmaz ve yapışkan madde imalatçı firmalarının açıklamalarını da dikkate alın.

Bu alet sadece belirtildiği gibi ve usulüne uygun olarak kullanılabilir.

AKÜNÜN AŞIRI YÜKLENMEYE KARŞI KORUNMASI

Akü donanımı, aküyü fazla yüklenmeye karşı koruyan ve uzun ömürlü olmasını garanti eden fazla yüklenmeye karşı bir koruma tertibatı ile teçhiz edilmiştir.

Aşırı fazla bir şekilde kullanılması durumunda akünün elektronik tertibatı makineyi otomatik olarak kapatır. Makinenin tekrar çalıştırılması amacı ile tekrar kapatın ve yeniden çalıştırın. Makine tekrar çalışmazsa, akü donanımı muhtemelen boşalmıştır ve o zaman yeniden şarj edilerek tekrar doldurulması gerekir.

ÇALIŞIRKEN DİKKAT EDİLECEK HUSUSLAR

Anti damla fonksiyonu

Kartuş presi otomatik anti damlama fonksiyonuna sahiptir. Şalter baskısının serbest bırakılması halinde motoru kısa süre için çalışır ve demiri yükten kurtulur. Bu durum da damla akmasını önler.

Boş bir tüpte itme demirini kurtarmak için motoru kısa bir süre çalışır. Bundan sonra şalter baskısını serbest bırakın ve tüpü değiştirin.

Fazla baskı

Şalter baskısı basıldığı üzere makine baskı olmaksızın basar. Buna rağmen malzeme dışarı çıkmakza, aşağıdaki hususları garanti altına alınız:

Meme ucunun kesilmiş olması

Kartuşun sızdırmaz olması

Sertleştirilmiş malzeme meme tarafından kaldırılır

Kartuşun hasarlı olmaması veya donmuş olmaması

İtme demirinin sızdırma kitlesinden veya yapışkandan arındırılmış olması

BAKIM

DİKKAT: Kızağın ve itme direğinin temiz olması ve sızdırmaz kitleden ve yapışkandan muaf olması gerekir. Sızdırmaz kitle /yapışkan üreticilerinin tavsiyelerine göre pislikleri temizleyin.

Sadece Milwaukee aksesuarı ve yedek parçası kullanın. Nasıl değiştirileceği açıklanmamış olan yapı parçalarını bir Milwaukee müşteri servisinde değiştirin (Garanti ve servis adresi broşürüne dikkat edin).

Gerektiği takdirde aletin dağıntık görünüş şeması, alet tipinin ve tip etiketi üzerindeki on hanelik sayının bildirilmesi koşuluyla müşteri servisinden veya doğrudan Techtronic Industries GmbHs,Max-Eyth-Straiße 10, D-71364 Winnenden, Germany adresinden istenebilir.

SEMBOLLER



Lütfen aleti çalıştırmadan önce kullanma kılavuzunu dikkatli biçimde okuyun.



Aletle çalışırken daima koruyucu gözlük kullanın.



Aletin kendinde bir çalışma yapmadan önce kartuş aküyü çıkarın.



Elektrikli el aletlerini evdeki çöp kutusuna atmayınız! Kullanılmış elektrikli aletleri, elektrik ve elektrikli eski cihazlar hakkındaki 2002/96/EC Avrupa yönergelerine göre ve bu yönergeler ulusal hukuk kurallarına göre uyarlanarak, ayrı olarak toplanmalı ve çevre şartlarına uygun bir şekilde tekrar değerlendirilmeye gönderilmelidir.

Vytlačovací tlak.....	1780 N
Napětí výměnného akumulátoru.....	12 V
Hmotnost podle prováděcího předpisu EPTA 01/2003 (1,5 Ah).....	1,86 kg
Hmotnost podle prováděcího předpisu EPTA 01/2003 (3,0 Ah).....	2,09 kg

Informace o hluku / vibracích

Naměřené hodnoty odpovídají EN 60 745.

V třídě A posuzovaná hladina hluku přístroje činí typicky:

Hladina akustického tlaku (K=3dB(A)).....	54,5 dB (A)
Hladina akustického výkonu (K=3dB(A)).....	65,5 dB (A)

Celkové hodnoty vibrací (vektorový součet tří směrů) zjištěné ve smyslu EN 60745.

Hodnota vibračních emisí a_h < 2,5 m/s²

Kolisavost K..... 1,5 m/s²

VAROVÁN

Úroveň chvění uvedená v tomto návodu byla naměřena podle metody měření stanovené normou EN 60745 a může být použita pro porovnání elektrického nářadí. Hodí se také pro přibližný odhad zatížení chvěním.

Uvedená úroveň chvění představuje hlavní účely použití elektrického nářadí. Jestliže se ale elektrické nářadí používá pro jiné účely, s odlišnými nástroji nebo s nedostatečnou údržbou, může se úroveň chvění odlišovat. To může značně zvýšit zatížení chvěním během celé pracovní doby.

Pro přesný odhad zatížení chvěním se musí také zohlednit časy, během kterých je přístroj vypnutý nebo kdy je sice v chodu, ale skutečně se s ním nepracuje. To může zatížení chvěním během celé pracovní doby značně snížit.

Stanovte doplňková bezpečnostní opatření pro ochranu obsluhy před účinky chvění jako například: technická údržba elektrického nářadí a nástrojů, udržování teploty rukou, organizace pracovních procesů.

VAROVÁNÍ! Seznamte se se všemi bezpečnostními pokyny a sice i s pokyny v přiložené brožuře. Zanedbání při dodržování varovných upozornění a pokynů mohou mít za následek úder elektrickým proudem, požár a/nebo těžká poranění.

Všechna varovná upozornění a pokyny do budoucna uschovejte.

SPECIÁLNÍ BEZPEČNOSTNÍ UPOZORNĚNÍ

Dbejte prosím pokynů uvedených v návodu k obsluze nabíječky

Při práci se strojem neustále nosit ochranné brýle.

Před zahájením veškerých prací na vrtacím šroubováku vyjmout výměnný akumulátor.

Použitě nevyhazujte do domovního odpadu nebo do ohně. Milwaukee nabízí ekologickou likvidaci starých článků, ptejte se u vašeho obchodníka s nářadím.

Náhradní akumulátor neskladujte s kovovými předměty, nebezpečí zkratu.

Akumulátor systému C12 nabíjejte pouze nabíječkou systému C12. Nenabíjejte akumulátory jiných systémů.

Náhradní akumulátory ani nabíječku neotvírejte, skladujte je v suchu, chraňte před vlhkem.

K zamezení rizika poranění, zranění elektrickým proudem nebo zničení nástroje nikdy nástroj nepokládejte do tekutiny a chraňte jej před vniknutím tekutiny do jeho vnitřku.

OBLAST VYUŽITÍ

Akumulátorový ruční vytlačovací lis na kartuše je vhodný k vytlačování těsnící hmoty nebo lepidla z kartuší nebo fóliových sáčků. Při používání dbejte rovněž pokynů výrobce těsnící hmoty nebo lepidla.

Toto zařízení lze používat jen pro uvedený účel.

OCHRANA PROTI PŘETÍŽENÍ AKUMULÁTORU

Akumulátorová sada je vybavena ochranou proti přetížení, která ji chrání a zaručuje její dlouhou životnost. Při extrémním zatížení elektronika akumulátoru elektrický nástroj vypne. K pokračování v práci nástroj vypnete a opět zapnete. V případě, že se motor nástroje ani potom nerozběhne, je akumulátorová sada pravděpodobně vybitá a musí se v nabíječce opět nabít.

PRACOVNÍ UPOZORNĚNÍ**S funkcí zamezující kapání**

Lis na kartuše má automatickou funkci zamezující kapání. Po uvolnění spouštěcího tlačítka motor ještě po krátkou dobu dohání a odlehčuje tak suvnou tyč. To zabraňuje dokapávání.

V případě prázdné kartuše motor ještě po krátkou dobu dohání, aby odlehčil suvnou tyč. Následně uvolněte spouštěcí tlačítko a vyměňte kartuši.

Přetížení

Tlak se vytváří po celou dobu stisknutého tlačítka. Nevychází-li z trysky kartuše přesto žádný materiál, zkontrolujte, zda:

- je uříznutá špička kartuše,
- zda kartuše nevykazuje netěsná místa,
- zda není tryska ucpaná vytvrzeným materiálem,
- zda není kartuše poškozená nebo zamrzlá,
- zda není suvná tyč zanesená těsnicí hmotou nebo lepidlem.

ÚDRŽBA

POZOR! Suport a suvná tyč musejí být čisté a zbavené těsnící hmoty a lepidla. Nečistoty odstraňujte v souladu s doporučením výrobce těsnící hmoty/lepidla.

Používat výhradně příslušenství Milwaukee a náhradní díly Milwaukee. Díly jejichž výměny nebyla popsána, nechte vyměnit v autorizovaném servisu (viz. "Záruky / Seznam servisních míst")

Při potřebě podrobného rozkresu konstrukce, oslovte informaci o typu a desetimístném objednacím čísle přímo servis a nebo výrobce, Techtronic Industries GmbH, Max-Eyth-Straße 10, D-71364 Winnenden, Germany.

SYMBOLY

Před spuštěním stroje si pečlivě pročtěte návod k používání.



Při práci se strojem neustále nosit ochranné brýle.



Před zahájením veškerých prací na vrtacím šroubováku vyjmout výměnný akumulátor.



Elektrické nářadí nevyhazujte do komunálního odpadu! Podle evropské směrnice 2002/96/EG o nakládání s použitými elektrickými a elektronickými zařízeními a odpovídajících ustanovení právních předpisů jednotlivých zemí se použitá elektrická nářadí musí sbírat odděleně od ostatního odpadu a podrobit ekologicky šetrnému recyklování.

CE-PROHLÁŠENÍ O SHODĚ

Se vši zodpovědností prohlašujeme, že tento výrobek odpovídá následujícím normám a normativním dokumentům:

EN 60745-1: 2009+A11: 2010;
EN 55014-1: 2006+A1: 2009+A2: 2011;
EN 55014-2: 1997+A1:2001+A2: 2008
EN 61000-3-2, EN 61000-3-3, v souladu se směrnice EHS č. 2011/65/EU (RoHS), 2004/108/EG, 2006/42/EG



Winnenden, 2012-06-11

Rainer Kumpf
Director Product Development

Zplnomocněn k sestavování technických podkladů.

AKUMULÁTORY

Nový akumulátor dosáhne plné kapacity po 4 - 5 nabíjecích cyklech. Dále nepoužívané akumulátory je nutné před použitím znovu nabít.

Teplota přes 50°C snižuje výkon akumulátoru. Chraňte před dlouhým přehříváním na slunci či u topení.

Kontakty nabíječky a akumulátoru udržujte v čistotě.

Pro optimální životnost je nutné akumulátory po použití plně dobít.

K zabezpečení dlouhé životnosti by se akumulátory měly po nabití vyjmout z nabíječky.

Při skladování akumulátoru po dobu delší než 30 dní:

Skladujte akumulátor v suchu při cca 27°C.

Skladujte akumulátor při cca 30%-50% nabíjecí kapacity.

Opakujte nabíjení akumulátoru každých 6 měsíců.

TECHNICKÉ ÚDAJE **Lis na kartuše** **M12 PCG**

Vytlačovací tlak.....	1780 N
Napätie výmenného akumulátora.....	12 V
Hmotnosť podľa vykonávacieho predpisu EPTA 01/2003 (1,5 Ah).....	1,86 kg
Hmotnosť podľa vykonávacieho predpisu EPTA 01/2003 (3,0 Ah).....	2,09 kg

Informácia o hluku / vibráciách

Namerané hodnoty určené v súlade s EN 60 745.

V triede A posudzovaná hladina hluku prístroja činí typicky:

Hladina akustického tlaku (K=3dB(A)).....	54,5 dB (A)
Hladina akustického výkonu (K=3dB(A)).....	65,5 dB (A)

Celkové hodnoty vibrácií (vektorový súčet troch smerov)

zistené v zmysle EN 60745.

Hodnota vibračných emisí a_v..... < 2,5 m/s²

Kolísaveň K..... 1,5 m/s²

POZOR

Úroveň vibrácií uvedená v týchto pokynoch bola nameraná meracou metódou, ktorú stanovuje norma EN 60745 a je možné ju použiť na vzájomné porovnanie elektrického náradia. Hodí sa aj na predbežné posúdenie kmitavého namáhania.

Uvedená úroveň vibrácií reprezentuje hlavné aplikácie elektrického náradia. Ak sa však elektrické náradie používa pre iné aplikácie, s odlišnými vloženými nástrojmi alebo s nedostatočnou údržbou, môže sa úroveň vibrácií líšiť. Toto môže kmitavé namáhanie v priebehu celej pracovnej doby podstatne zvýšiť.

Pre presný odhad kmitavého namáhania by sa mali tiež zohľadniť doby, v ktorých je náradie vypnuté alebo je síce v chode, ale v skutočnosti sa nepoužíva. Toto môže kmitavé namáhanie v priebehu celej pracovnej doby zreteľne redukovať.

Stanovte dodatočné bezpečnostné opatrenia pre ochranu obsluhy pred účinkami vibrácií, ako napríklad: údržba elektrického náradia a vložených nástrojov, udržiavanie teploty rúk, organizácia pracovných postupov.

⚠ POZOR! Zoznámte sa so všetkými bezpečnostnými pokynmi a síce aj s pokynmi v priloženej brožúre.

Zanedbanie dodržiavania výstražných upozornení a pokynov uvedených v nasledujúcom texte môže mať za následok zásah elektrickým prúdom, spôsobiť požiar a/alebo ťažké poranenie.

Tieto výstražné upozornenia a bezpečnostné pokyny starostlivo uschovajte na budúce použitie.

ŠPECIÁLNE BEZPEČNOSTNÉ POKYNY

Dbajte prosím na pokyny uvedené v návode k obsluhu nabíjačky

Pri práci so strojom vždy noste ochranné okuliare.

Pred každou prácou na stroji výmenný akumulátor vyťahnuť.

Opotrebované výmenné akumulátory nezahadzujte do ohňa alebo medzi domový odpad. Milwaukee ponúka likvidáciu starých výmenných akumulátorov, ktorá je v súlade s ochranou životného prostredia; informujte sa u Vášho predajcu.

Výmenné akumulátory neskladovať spolu s kovovými predmetmi (nebezpečenstvo skratu).

Výmenné akumulátory systému C12 nabíjať len nabíjacími zariadeniami systému C12. Akumulátory iných systémov týmto zariadením nenabíjať.

Výmenné akumulátory a nabíjacie zariadenia neotvárať a skladovať len v suchých priestoroch. Chrániť pred vlhkosťou.

K zamedzeniu rizika poranenia, zranenia elektrickým prúdom alebo zničenia nástroja nikdy nástroj nevkladať do tekutín a chráňte ho pred vniknutím tekutiny do jeho vnútrajšku.

POUŽITIE PODĽA PREDPISOV

Akumulátorový ručný vytlačovací lis na kartuše je vhodný k vytlačovaniu tesniacej hmoty alebo lepidla z kartuší alebo fóliových sáčkov. Pri používaní dbajte taktiež na pokyny výrobcu tesniacej hmoty alebo lepidla.

Tento prístroj sa smie používať len v súlade s uvedenými predpismi.

CE - VYHLÁSENIE KONFORMITY

Vyhlasujeme v našej výhradnej zodpovednosti, že tento produkt zodpovedá nasledovným normám alebo normatívnym dokumentom.
EN 60745-1: 2009+A11: 2010;
EN 55014-1: 2006+A1: 2009+A2: 2011;
EN 55014-2: 1997+A1:2001+A2: 2008
podľa predpisov smerníc 2011/65/EU (RoHS), 2004/108/EC, 2006/42/EC.



Winnenden, 2012-06-11

Rainer Kumpf
Director Product Development

Splnomocnený zostaviť technické podklady.

AKUMULÁTORY

Nové výmenné akumulátory dosiahnu svoju maximálnu kapacitu po 4-5 nabitíach a vybitiach. Dlhší čas nepoužívané výmenné akumulátory pred použitím dobiť.

Teplota vyššia ako 50°C znižuje výkon výmenného akumulátora. Zabráňte dlhšiemu ohriatiu slnkom alebo kúrením.

Pripájacie kontakty na nabíjacom zariadení a výmennom akumulátore udržiavať čisté.

Pre optimálnu životnosť je nutné akumulátory po použití plne dobiť.

K zabezpečeniu dlhej životnosti by sa akumulátory mali po nabití vybrať z nabíjačky.

Pri skladovaní akumulátora po dobu dlhšiu než 30 dní: Skladujte akumulátor v suchu pri cca 27°C. Skladujte akumulátor pri cca 30%-50% nabíjacej kapacite. Opakujte nabíjanie akumulátora každých 6 mesiacov.

OCHRANA PROTI PREŤAŽENIU AKUMULÁTORA

Akumulátorová sada je vybavená ochranou proti preťaženiu, ktorá ju chráni a zaručuje jej dlhú životnosť. Pri extrémnom zaťažení elektronika akumulátora elektrický nástroj vypne. K pokračovaniu v práci nástroj vypnete a opäť zapnete. V prípade, že sa motor nástroja ani potom nerozbehne, je akumulátorová sada pravdepodobne vybitá a musí sa v nabíjačke opäť nabiť.

POKYNY KU PRÁCI**S funkciou zabraňujúcou kvapkaniu**

Lis na kartuše má automatickú funkciu zabraňujúcu kvapkaniu. Po uvoľnení spúšťačieho tlačidla motor ešte po krátku dobu dobieha a odľahčuje tak posuvnú tyč. To zabraňuje dokvapkávaniu.

V prípade prázdnej kartuše motor ešte po krátku dobu dobieha, aby odľahčil posuvnú tyč. Následne uvoľníte spúšťačie tlačidlo a vymeňte kartušu.

Preťaženie

Tlak sa vytvára po celú dobu stlačeného tlačidla. Ak napriek tomu z trysky kartuše nevychádza žiadny materiál, skontrolujte, či:

je urezaná špička kartuše,

či kartuša nevykazuje netesnú miesta,

či nie je tryska upchatá vytvrdeným materiálom,

či nie je kartuša poškodená alebo zamrznutá,

či nie je posuvná tyč zanesená tesniacou hmotou alebo lepidlom.

ÚDRZBA

POZOR! Posuvný dielec a tyč posúvača musia byť čisté a zbavené tesniacej hmoty ako aj lepidla. Nečistoty odstraňujte v súlade s doporučením vydaným výrobcom tesniacej hmoty/lepidla.

Používať len Milwaukee príslušenstvo a Milwaukee náhradné diely. Súčiastky bez návodu na výmenu treba mať vymeniť v jednom z Milwaukee zákaznických centier (viď brožúru Záruka/Adresy zákaznických centier).

Pri udaní typu stroja a desaťmiestneho čísla nachádzajúceho sa na štítku dá sa v prípade potreby vyžiadať explozívna schéma prístroja od Vášho zákaznického centra alebo priamo v Techtronic Industries GmbH, Max-Eyth-Straße 10, D-71364 Winnenden, Germany.

SYMBOLY

Pred prvým použitím prístroja si pozorne prečítajte návod na obsluhu.



Pri práci so strojom vždy noste ochranné okuliare.



Pred každou prácou na stroji výmenný akumulátor vyťahnuť.



Elektrické náradie nevyhadzujte do komunálneho odpadu! Podľa európskej smernice 2002/96/EG o nakladaní s použitými elektrickými a elektronickými zariadeniami a zodpovedajúcich ustanovení právnych predpisov jednotlivých krajín sa použité elektrické náradie musí zbierať oddelene od ostatného odpadu a podrobiť ekologicky šetrnej recyklácii.

DANE TECHNICZNE Praska do kartuszy M12 PCG

Cisnienie wyciskania	1780 N
Napięcie baterii akumulatorowej.....	12 V
Ciężar wg procedury EPTA 01/2003 (1,5 Ah).....	1,86 kg
Ciężar wg procedury EPTA 01/2003 (3,0 Ah).....	2,09 kg

Informacja dotycząca szumów/wibracji

Zmierzone wartości wyznaczono zgodnie z normą EN 60 745.

Poziom szumów urządzenia oszacowany jako A wynosi typowo:

Poziom ciśnienia akustycznego (K=3dB(A)).....	54,5 dB (A)
Poziom mocy akustycznej (K=3dB(A)).....	65,5 dB (A)

Wartości łączne drgań (suma wektorowa trzech kierunków)

wyznaczone zgodnie z normą EN 60745

Wartość emisji drgań a_h < 2,5 m/s²

Niepewność K..... 1,5 m/s²

OSTRZEŻENIE

Podany w niniejszych instrukcjach poziom drgań został zmierzony za pomocą metody pomiarowej zgodnej z normą EN 60745 i może być użyty do porównania ze sobą elektronarzędzi. Nadaje się on również do tymczasowej oceny obciążenia wibracyjnego.

Podany poziom drgań reprezentuje główne zastosowania elektronarzędzia. Jeśli jednakże elektronarzędzie użyte zostanie do innych celów z innymi narzędziami roboczymi lub nie jest dostatecznie konserwowane, wtedy poziom drgań może wykazywać odchylenia. Może to wyraźnie zwiększyć obciążenie wibracjami przez cały okres pracy.

Dla dokładnego określenia obciążenia wibracjami należy uwzględnić również czasy, w których urządzenie jest wyłączone względnie jest włączone, lecz w rzeczywistości nie pracuje. Może to spowodować wyraźną redukcję obciążenia wibracyjnego w całym okresie pracy.

Należy wprowadzić dodatkowe środki zapobiegawcze celem ochrony obsługującego przed oddziaływaniem drgań, jak na przykład: konserwacja narzędzi roboczych i elektronarzędzi, nagrzanie rąk, organizacja przebiegu pracy.

⚠ OSTRZEŻENIE! Prosimy o przeczytanie wskazówek bezpieczeństwa i zaleceń, również tych, które zawarte są w załączonej broszurze. Błędy w przestrzeganiu poniższych wskazówek mogą spowodować porażenie prądem, pożar i/lub ciężkie obrażenia ciała. **Należy starannie przechowywać wszystkie przepisy i wskazówki bezpieczeństwa dla dalszego zastosowania.**

INSTRUKCJE DOTYCZĄCE BEZPIECZEŃSTWA

Przestrzegać wskazań w instrukcji obsługi urządzenia do ładowania.

Podczas pracy należy zawsze nosić okulary ochronne.

Przed przystąpieniem do jakichkolwiek prac na elektronarzędziu należy wyjąć wkładkę akumulatorową.

Zużytych akumulatorów nie wolno wrzucać do ognia ani traktować jako odpadów domowych. Milwaukee oferuje ekologiczną utylizację zużytych akumulatorów.

Nie przechowywać akumulatorów wraz z przedmiotami metalowymi (niebezpieczeństwo zwarcia).

Akumulatory Systemu C12 należy ładować wyłącznie przy pomocy ładowarek Systemu C12. Nie ładować przy pomocy tych ładowarek akumulator w innych system w.

Nie otwierać wkładek akumulatorowych i ładowarek. Przechowywać w suchych pomieszczeniach. Chronić przed wilgocią.

Aby zapobiec ryzyku skaleczenia, porażenia elektrycznego lub zniszczenia maszyny, nigdy nie wkładać maszyny do cieczy ani nie dopuszczać do wniknięcia żadnych płynów do jej wnętrza.

WARUNKI UŻYTKOWANIA

Akumulatorowa prasa do kartuszy nadaje się do wytłaczania substancji uszczelniającej lub kleju z kartuszy lub opakowań foliowych. Prosimy przestrzegać także wskazówek producentów uszczelniaaczy lub klejów.

Produkt można użytkować wyłącznie zgodnie z jego normalnym przeznaczeniem.

DEKLARACJA ZGODNOŚCI CE

Oświadczamy z pełną odpowiedzialnością, że produkt ten odpowiada wymaganiom następujących norm i dokumentów normatywnych
EN 60745-1: 2009+A11: 2010;
EN 55014-1: 2006+A1: 2009+A2: 2011;
EN 55014-2: 1997+A1:2001+A2: 2008
i jest zgodny z wymaganiami dyrektyw 2011/65/EU (RoHs), 2004/108/WE, 2006/42/WE



Winnenden, 2012-06-11

Rainer Kumpf
Director Product Development

Pełnomocniony do zestawienia danych technicznych

BATERIE AKUMULATOROWE

Nowe baterie akumulatorowe osiągają swoją pełną pojemność po 4 - 5 cyklach ładowania i rozładowywania. Akumulatory, które nie były przez dłuższy czas użytkowane, należy przed użyciem naładować.

W temperaturze powyżej 50°C następuje spadek osiągniętych wkładki akumulatorowej. Unikaj długotrwałego wystawienia na oddziaływanie ciepła lub promieni słonecznych (niebezpieczeństwo przegrzania).

Styki ładowarek i wkładek akumulatorowych należy utrzymywać w czystości

Dla zapewnienia optymalnej żywotności akumulatory po użyciu należy naładować do pełnej pojemności.

Dla zapewnienia możliwie długiej żywotności akumulatory należy wyjąć z ładowarki po ich naładowaniu.

W przypadku składowania akumulatorów dłużej aniżeli 30 dni:

Przechowywać je w suchym miejscu w temperaturze ok. 27°C.

Przechowywać je w stanie naładowanym do ok. 30% - 50%. Ładować je ponownie co 6 miesięcy.

ZABEZPIECZENIE PRZECIĄŻENIOWE AKUMULATORA

Pakiet akumulatorowy jest wyposażony w zabezpieczenie przed przeciążeniem, które chroni akumulator przed przeciążeniem i zapewnia jego dużą żywotność. Przy ekstremalnie silnym narażeniu elektronika akumulatora automatycznie wyłącza maszynę. Aby kontynuować pracę należy wyłączyć i ponownie włączyć maszynę. Jeżeli nie nastąpiłby ponowny rozruch maszyny, to możliwe, że pakiet akumulatorowy jest wyładowany i musi zostać ponownie naładowany w ładowarce.

ZALECENIA EKSPLOATACYJNE**Funkcja zapobiegająca ściekaniu kropli**

Praska do kartuszy posiada automatyczną funkcję zapobiegającą ściekaniu kropli. Po zwolnieniu przycisku wyłącznika silnik pracuje jeszcze przez chwilę i odciąża suwak. Zapobiega to ściekaniu kropli.

Po opróżnieniu tubki silnik pracuje jeszcze przez chwilę, aby odciążyć suwak. Następnie należy zwolnić przycisk wyłącznika i wymienić tubkę.

Przeciążenie

Tak długo jak przycisk wyłącznika jest naciśnięty, urządzenie wywiera nacisk. Jeśli jednak materiał nie wypływa, należy upewnić się czy: końcówka dyszy została obciążona; kartusz jest szczelny; stwardniały materiał został usunięty z dyszy; kartusz nie jest uszkodzony lub zamrożony; suwak nie jest zanieczyszczony masą uszczelniającą lub klejem.

UTRZYMANIE I KONSERWACJA

UWAGA: Prowadnica oraz suwak winny być czyste i wolne od masy uszczelniającej czy kleju. Zanieczyszczenia usuwać zgodnie z zaleceniami producenta masy uszczelniającej/kleju.

Używać tylko i wyłącznie wyposażenia dodatkowego Milwaukee i części zamiennych Milwaukee. Gdyby trzeba było wymienić części, które nie zostały opisane, należy skontaktować się z przedstawicielem serwisu Milwaukee (patrz wykaz adresów punktów usługowych/gwarancyjnych).

Na życzenie można otrzymać rysunek widoku zespołu rozebranego. Przy zamawianiu należy podać dziesięciocyfrowy numer oraz typ elektronarzędzia umieszczony na tabliczce znamionowej. Zamówienia można dokonać albo u lokalnych przedstawicieli serwisu, albo bezpośrednio w Techtronic Industries GmbH, Max-Eyth-Straße 10, D-71364 Winnenden, Germany.

SYMBOLE

Przed uruchomieniem elektronarzędzia zapoznać się uważnie z treścią instrukcji.



Podczas pracy należy zawsze nosić okulary ochronne.



Przed przystąpieniem do jakichkolwiek prac na elektronarzędziu należy wyjąć wkładkę akumulatorową.



Nie wyrzucaj elektronarzędzi wraz z odpadami z gospodarstwa domowego! Zgodnie z Europejską Dyrektywą 2002/96/WE w sprawie zużytego sprzętu elektrotechnicznego i elektronicznego oraz dostosowaniem jej do prawa krajowego, zużyte elektronarzędzia należy posegregować i zutylizować w sposób przyjazny dla środowiska.

MŰSZAKI ADATOK Kinyomópisztoly **M12 PCG**

Kiprészelő nyomás.....	1780 N
Akkumulátor feszültség.....	12 V
Súly a 01/2003 EPTA-eljárás szerint (1,5 Ah).....	1,86 kg
Súly a 01/2003 EPTA-eljárás szerint (3,0 Ah).....	2,09 kg

Zaj/Vibráció-információ

A közölt értékek megfelelnek az EN 60 745 szabványnak.

A készülék munkahelyi zajszintje tipikusan:

Hangnyomás szint (K=3dB(A)).....	54,5 dB (A)
Hangteljesítmény szint (K=3dB(A)).....	65,5 dB (A)

Összesített rezgésértékek (három irány vektoriális összege)

az EN 60745-nek megfelelően meghatározva.

a _w rezgésemisszió érték.....	< 2,5 m/s ²
K bizonytalanság.....	1,5 m/s ²

FIGYELMEZTETÉS

A jelen utasításokban megadott rezgésszint értéke az EN 60745-ben szabályozott mérési eljárásnak megfelelően került lemerésre, és használható elektromos szerszámokkal történő összehasonlításhoz. Az érték alkalmas a rezgésterhelés előzetes megbecslésére is.

A megadott rezgésszint-érték az elektromos szerszám legfőbb alkalmazásait reprezentálja. Ha az elektromos szerszámot azonban más alkalmazásokhoz, eltérő használt szerszámokkal vagy nem elegendő karbantartással használják, a rezgésszint értéke eltérő lehet. Ez jelentősen megnövelheti a rezgésterhelést a munkavégzés teljes időtartama alatt.

A rezgésterhelés pontos megbecsléséhez azokat az időket is figyelembe kell venni, melyekben a készülék lekapcsolódik, vagy ugyan működik, azonban ténylegesen nincs használatban. Ez jelentősen csökkenti a rezgésterhelést a munkavégzés teljes időtartama alatt.

Határozzon meg további biztonsági intézkedéseket a kezelő védelmére a rezgések hatása ellen, például: az elektromos és a használt szerszámok karbantartásával, a kezek melegen tartásával, a munkafolyamatok megszervezésével.

⚠ FIGYELMEZTETÉS! Olvasson el minden biztonsági útmutatót és utasítást, a mellékelt broszúrában találhatóakat is. A következőkben leírt előírások betartásának elmulasztása áramütésekhez, tűzhöz és/vagy súlyos testi sérülésekhez vezethet.
Kérjük a későbbi használatra gondosan őrizze meg ezeket az előírásokat.

KÜLÖNLEGES BIZTONSÁGI TUDNIVALÓK

Be kell tartani a töltőkészülék kezelési útmutatójában foglalt rendelkezéseket.

Munkavégzés közben ajánlatos védőszemüveget viselni.

Karbantartás, javítás, tisztítás, stb. előtt az akkumulátort ki kell venni a készülékből.

A használt akkumulátort ne dobja tűzbe vagy a háztartási szemétkébe. Tájékozódjon a szakszerű megsemmisítés helyi lehetőségeiről.

Az akkumulátort ne tárolja együtt fém tárgyakkal. (Rövidzárlat veszélye).

Az "C12" elnevezésű rendszerhez tartozó akkumulátorokat kizárólag a rendszerhez tartozó töltővel töltsse fel. Ne használjon más rendszerbe tartozó töltőt.

Az akkumulátort, töltőt nem szabad megbontani és kizárólag száraz helyen szabad tárolni. Nedvességtől óvni kell.

A sérülések, áramütés vagy a géprongálódás kockázatának kizárása érdekében nem szabad a gépet folyadékba helyezni, és nem szabad engedni, hogy folyadék kerüljön a gép belsejébe.

RENDELTETTÉSSZERŰ HASZNÁLAT

Az akku-patron sajtóló tömítő- vagy ragasztóanyagok patronokból vagy fólia tasakokból történő kisajtolására szolgál. Vegye figyelembe a tömítő- ill. ragasztóanyagok gyártójának utasításait!

A készüléket kizárólag az alábbiakban leírtaknak megfelelően szabad használni.

CE-AZONOSSÁGI NYILATKOZAT

Teljes felelősségünk tudatában kijelentjük, hogy jelen termék megfelel a következő szabványoknak vagy szabványossági dokumentumoknak:
EN 60745-1: 2009+A11: 2010;
EN 55014-1: 2006+A1: 2009+A2: 2011;
EN 55014-2: 1997+A1:2001+A2: 2008
a 2011/65/EU (RoHS), 2004/108/EK, 2006/42/EK irányelvek határozataival egyetértésben.



Winnenden, 2012-06-11

Rainer Kumpf
Director Product Development

Műszaki dokumentáció összeállításra felhatalmazva

AKKUK

Új akkumulátor a teljes kapacitást 4-5 töltési/lemerülési ciklus után éri el. A hosszabb ideig üzemen kívül lévő akkumulátort használat előtt ismételtelen fel kell tölteni.

50°C feletti hőmérsékletnél csökkenhet az akkumulátor teljesítménye. Kerülni kell a túlzottan meleg helyen vagy napon történő hosszabb idejű tárolást.

A töltő és az akkumulátor csatlakozóit mindig tisztán kell tartani.

Az optimális élettartam érdekében használat után az akkukat teljesen fel kell tölteni.

A lehetőleg hosszú élettartamhoz az akkukat feltöltés után ki kell venni a töltőkészülékből.

Az akku 30 napot meghaladó tárolása esetén:
Az akkut kb. 27 °C-on, száraz helyen kell tárolni.
Az akkut kb. 30-50%-os töltöttségi állapotban kell tárolni.
Az akkut 6 havonta újra fel kell tölteni.

AZ AKKUMULÁTOR TÚLTERHELÉS ELLENI VÉDELME

Az akkucsomag olyan túlterhelés elleni védelemmel rendelkezik, mely védi az akkut a túlterhelés ellen, és hosszú élettartamot biztosít.
Rendkívül erős igénybevétel esetén az akkuelektronika automatikusan lekapcsolja a gépet. A további munkavégzéshez a gépet ki-, majd ismét be kell kapcsolni. Ha a gép nem indul el ismét, akkor lehetséges, hogy az akkucsomag lemerült és azt újból fel kell tölteni a töltőben.

ÚTMUTATÁSOK A MUNKAVÉGZÉSHEZ**Csepegésgátló funkció**

A kinyomópisztoly automatikus csepegésgátló funkcióval rendelkezik. A kapcsológomb elengedése után a motor még egy rövid ideig jár, és így tehermentesíti a tolórudat. Ez megakadályozza az utáncsepegést.

Kiürült patron esetén a motor a tolórúd tehermentesítéséhez még rövid ideig jár. Ezután engedje el a kapcsológombot, és cserélje ki a patronot.

Túlterhelés

A gép annyi ideig épít fel nyomást, amíg a kapcsológombot nyomva tartják. Ha ennek ellenére nem távozik anyag, biztosítsa, hogy:
A fúvóka csúcsa le legyen vágva.
A patron ne legyen tömítetlen.
A megkeményedett anyagot eltávolították a fúvókáról.
A patron ne legyen sérült vagy megfagyva.
A tolórúd tömítomasszájától vagy ragasztóanyagától mentes legyen.

KARBANTARTÁS

FIGYELEM! A csúszópályának és a tolórúdnak tisztának, tömítomasszájától és ragasztóanyagától mentesnek kell lennie. A szennyeződések a tömítomassza / ragasztóanyag gyártójának ajánlásai szerint kell eltávolítani.

Csak Milwaukee tartozékokat és Milwaukee pótalkatrészeket szabad használni. Az olyan elemeket, melyek cseréje nincs ismertette, cseréltesse ki Milwaukee szervizzel (lásd Garancia/Ügyfélszolgálat címei kiadványt).

Szükség esetén a készülékek robbantott ábráját - a készülék típusa és tízjegyű azonosító száma alapján a területileg illetékes Milwaukee márkaszerviztől vagy közvetlenül a gyártótól (Techtronic Industries GmbHs, Max-Eyth-Straße 10, D-71364 Winnenden, Germany) lehet kérni.

SZIMBÓLUMOK

Kérjük alaposan olvassa el a tájékoztatót mielőtt a gépet használja.



Munkavégzés közben ajánlatos védőszemüveget viselni.



Karbantartás, javítás, tisztítás, stb. előtt az akkumulátort ki kell venni a készülékből.



Az elektromos kéziszerszámokat ne dobja a háztartási szemétkébe!
A használt villamos és elektronikai készülékekről szóló 2002/96/EK irányelv és annak a nemzeti jogba való átültetése szerint az elhasznált elektromos kéziszerszámokat külön kell gyűjteni, és környezetbarát módon újra kell hasznosítani.

Izstisni tlak	1780 N
Napetost izmenljivega akumulatorja	12 V
Teža po EPTA-proceduri 01/2003 (1,5 Ah)	1,86 kg
Teža po EPTA-proceduri 01/2003 (3,0 Ah)	2,09 kg

Informacije o hrupnosti/vibracijah

Vrednosti merjenja ugotovljene ustrezno z EN 60 745.

Raven hrupnosti naprave ovrednotena z A, znaša tipično:

Nivo zvočnega tlaka (K=3dB(A))	54,5 dB (A)
Višina zvočnega tlaka (K=3dB(A))	65,5 dB (A)

Skupna vibracijska vrednost (Vektorska vsota treh smeri) določena ustrezno EN 60745.

Vibracijska vrednost emisij a_w	< 2,5 m/s ²
Nevarnost K	1,5 m/s ²

OPOZORILO

V teh navodilih navedena raven tresljajev je bila izmerjena po EN60745 normiranem merilnem postopku in lahko služi medsebojni primerjavi električnih orodij. Prav tako je primeren za predhodno oceno obremenitve s tresljaji.

Navedena raven tresljajev navaja najpomembnejše vrste rabe električnega orodja. Kadar se električno orodje uporablja za drugačne namene, z odstopajočimi orodji ali pa z nezadostnim vzdrževanjem, lahko raven tresljajev tudi odstopa. Le to lahko čez celoten delovni čas znatno zviša obremenitev s tresenjem.

Za natančno oceno obremenitve s tresljaji naj bi se upošteval tudi čas v katerem je naprava izklopljena ali sicer teče, vendar dejansko ni v rabi. Le to lahko obremenitev s tresljaji čez celoten delovni čas znatno zmanjša.

Za zaščito upravljalca pred učinkom tresljajev uvedite dodatne zaščitne ukrepe npr.: Vzdrževanje električnega orodja in orodja, delo s toplimi rokami, organizacija delovnih potekov.

⚠ OPOZORILO! Preberite vsa varnostna opozorila in navodila, tudi tista v priloženi brošuri. Napake zaradi neupoštevanja spodaj navedenih opozoril in napotil lahko povzročijo električni udar, požar in/ali težke telesne poškodbe.

Vsa opozorila in napotila shranite, ker jih boste v prihodnje še potrebovali.

SPECIALNI VARNOSTNI NAPOTKI

Upoštevanje je potrebno opozorila iz navodil za uporabo ponilca.

Pri delu s strojem vedno nosite zaščitna očala.

Pred vsemi deli na stroji odstranite izmenljivi akumulator.

Izrabljenih izmenljivih akumulatorjev ne mečite v ogenj ali v gospodinjinske odpadke. Milwaukee nudi okolju prijazno odlaganje starih izmenljivih akumulatorjev; prosimo povprašajte vašega strokovnega trgovca.

Izmenljivih akumulatorjev ne hranite skupaj s kovinskimi predmeti (nevarnost kratkega stika).

Izmenljive akumulatorje sistema C12 polnite samo s polnilnimi aparati sistema C12. Ne polnite nobenih akumulatorjev iz drugih sistemov.

Izmenljivih akumulatorjev in polnilnih aparatov ne odpirajte in jih hranite samo v suhih prostorih. Zaščitite jih pred mokroto.

V izogib nevarnosti poškodb, električnega udara ali uničenja naprave, je nikdar ne potaplajte v tekočine in ne dopuščajte vdora tekočin v notranjost naprave

UPORABA V SKLADU Z NAMEMBNOSTJO

Akumulatorska kartušna preša je primerna za iztiskanje tesnilnega materiala ali lepila iz kartuše ali folijskih vrečk. Upoštevanje, prosimo, tudi navodila proizvajalcev tesnilnega materiala oz. lepila.

Ta naprava se sme uporabiti samo v skladu z namembnostjo uporabiti samo za navede namene.

CE-IZJAVA O KONFORMNOSTI

Z lastno odgovornostjo izjavljamo, da je ta produkt skladen z naslednjimi normami ali normativnimi dokumenti.

EN 60745-1: 2009+A11: 2010;

EN 55014-1: 2006+A1: 2009+A2: 2011;

EN 55014-2: 1997+A1:2001+A2: 2008

v skladu z določili smernic 2011/65/EU (RoHS), 2004/108/EC, 2006/42/EC.



Winnenden, 2012-06-11

Rainer Kumpf
Director Product Development

Pooblaščen za izdelavo spisov tehnične dokumentacije.

AKUMULATORJI

Novi izmenljivi akumulatorji dosežejo svojo polno kapaciteto po 4 – 5 ciklih polnjenja in praznjenja. Izmenljive akumulatorje, ki jih daljši čas niste uporabljali, pred uporabo naknadno napolnite.

Temperatura nad 50°C zmanjšuje zmogljivost izmenljivega akumulatorja. Izogibajte se daljšemu segrevanju zaradi sončnih žarkov ali gretja.

Pazite, da ostanejo priključni kontakti na polnilnem aparatu in izmenljivem akumulatorju čisti.

za optimalno življenjsko dobo je potrebno akumulatorje po uporabi do konca napolniti.

Za čim daljšo življenjsko dobo naj se akumulatorji po napolnitvi vzamejo ven iz naprave za polnjenje.

Pri skladiščenju akumulatorjev dalj kot 30 dni: Akumulator skladiščiti pri 27°C in na suhem. Akumulator skladiščiti pri 30%-50% stanja polnjenja. Akumulator spet napolniti vsakih 6 mesecev.

ZAŠČITA PREOBREMENITVE AKUMULATORJA

Komplet akumulatorja je opremljen s preobremenitveno zaščito, ki ščiti akumulator pred preobremenitvijo in zagotavlja dolgo življenjsko dobo.

Pri ekstremno visokih obremenitvah elektronika akumulatorja stroj avtomatsko izklopi. Za nadaljnje delo stroj izklopimo in ponovno vklopimo. V kolikor stroj ponovno ne steče, je komplet akumulatorja morebiti izprazen in ga je v ponilcu potrebno ponovno napolniti.

NAPOTKI ZA DELO**Funkcija protikapljanja**

Kartušna stiskalnica ima avtomatsko funkcijo protikapljanja. Po izpustitvi tipke stikala motor še nekaj časa teče in tako razbremeni pomikalnik. To prepreči naknadno kapljanje.

Pri prazni tubi motor za razbremenitev pomikalnika še kratko teče. Potem izpustite tipko in zamenjajte tubo.

Preobremenitev

Dokler se pritiska tipka, stroj dviga pritisk. Če kljub temu ne izstopi noben material, zagotovite:

da je odrezan vrh šobe,

da kartuša ni prepustna,

da je bil strnjeni material odstranjen s šobe,

da kartuša ni poškodovana ali zamrznjena,

da se na pomikalniku ne nahaja tesnilna masa ali lepilo.

VZDRŽEVANJE

POZOR! Sani in potisni drog morata biti čista in tesnilne mase ter lepil prosta. Nečistoče odstranite ustrezno priporočilom proizvajalca tesnilne mase/lepila.

Uporabljajte samo Milwaukee pribor in Milwaukee nadomestne dele. Poskrbite, da sestavne dele, katerih zamenjava ni opisana, zamenjajo v Milwaukee servisni službi (upoštevajte brošuro Garancija/Naslovi servisnih služb).

Po potrebi se lahko pri vaši servisni službi ali direktno pri Milwaukee Elektrowerkzeuge naroči eksplozijska risba naprave ob navedbi tipa stroja in desetmestne številke s tipske ploščice Techtronic Industries GmbHs, Max-Eyth-Straße 10, D-71364 Winnenden, Germany.

SIMBOLI

Prosimo, da pred uporabo pozorno preberete to navodilo za uporabo.



Pri delu s strojem vedno nosite zaščitna očala.



Pred vsemi deli na stroji odstranite izmenljivi akumulator.



Električnega orodja ne odstranjujte s hišnimi odpadki! V skladu z Evropsko direktivo 2002/96/EG o odpadni elektricni in elektronski opremi in z njenim izvajanjem v nacionalni zakonodaji je treba električna orodja ob koncu njihove življenjske dobe loceno zbirati in jih predati v postopek okolju prijaznega recikliranja.

TEHNIČKI PODACI **Preša kartuše** **M12 PCG**

Tlak ubrizgavanja	1780 N
Napon baterije za zamjenu.....	12 V
Težina po EPTA-proceduri 01/2003 (1,5 Ah).....	1,86 kg
Težina po EPTA-proceduri 01/2003 (3,0 Ah).....	2,09 kg

Informacije o buci/vibracijama

Mjerne vrijednosti utvrđene odgovarajuće EN 60 745.

A-ocijenjeni nivo buke aparata iznosi tipično:

nivo pritiska zvuka (K=3dB(A))	54,5 dB (A)
nivo učinka zvuka (K=3dB(A))	65,5 dB (A)

Ukupne vrijednosti vibracije (vektor suma tri smjera) su

odmjerene odgovarajuće EN 60745

Vrijednost emisije vibracije a_{hv}

Nesigurnost K.....

UPOZORENIE

Ova u ovim uputama navedena razina titranja je bila izmjerena odgovarajuće jednom u EN 60745 normiranom mjernom postupku i može se upotrijebiti za usporedbu električnog alata međusobno. Ona je prikladna i za privremenu procjenu titrajnog opterećenja.

Navedena razina titranja reprezentira glavne primjene električnog alata. Ukoliko se električni alat upotrebljava u druge svrhe sa odstupajućim primijenjenim alatima ili nedovoljnim održavanjem, onda razina titranja može odstupati. To može titrajno opterećenje kroz cijeli period rada bitno povisiti.

Za točnu procjenu titrajnog opterećenja se moraju uzeti u obzir i vremena u kojima je uređaj isključen ili u kojima doduše radi, ali nije i stvarno u upotrebi. To može titrajno opterećenje bitno smanjiti za vrijeme cijelog radnog perioda.

Utvrđite dodatne sigurnosne mjere za zaštitu poslužioca protiv djelovanja titranja kao npr.: Održavanje električnih alata i upotrebljenih alata, održavanje topline ruku, organizacija i radne postupke.

⚠ UPOZORENIE! Pročitajte sigurnosne upute i uputnice, isto i one iz priložene brošure. Ako se ne bi poštivala napomene o sigurnosti i upute to bi moglo uzrokovati strujni udar, požar i/ili teške ozljede. **Sačuvajte sve napomene o sigurnosti i upute za buduću primjenu.**

SPECIJALNE SIGURNOSNE UPUTE

Poštivati napomene u uputi o rukovanju aparatom za punjenje

Kod radova na stroju uvijek nositi zaštitne naočale.

Prije svih radova na stroju izvaditi bateriju za zamjenu.

Istrošene baterije za zamjenu ne bacati u vatru ili u kućno smeće. Milwaukee nudi mogućnost uklanjanja starih baterija odgovarajuće okolini. Milwaukee nudi mogućnost uklanjanja starih baterija odgovarajuće okolini; upitajte molimo Vašeg stručnog trgovca.

Baterije za zamjenu ne čuvati skupa sa metalnim predmetima (opasnost od kratkog spoja).

Baterije sistema C12 puniti samo sa uređajem za punjenje sistema C12. Ne puniti baterije iz drugih sistema.

Baterije za zamjenu i uređaje za punjenje ne otvarati i čuvati ih samo u suhim prostorijama. Čuvati protiv vlage.

Da bi se spriječio rizik od povreda, električnog udara ili uništavanja stroja, stroj nikada ne postavljati u tekućinu i nikada ne dozvoliti da tekućina dospjeje u unutrašnjost stroja.

PROPIISNA UPOTREBA

Presu s kartusom i akumulatorom podesna je za istiskivanje materijala za brtvenje ili lijepljenje iz kartusa ili folijskih kesica. Molimo pazite i na upute proizvođača materijala za brtvenje i lijepljenje.

Ovaj aparat se smije upotrijebiti samo u određene svrhe kao što je navedeno.

CE-IZJAVA KONFORMNOSTI

Izjavljujemo na osobnu odgovornost, da se ovaj proizvod slaže sa slijedećim normama ili normativnim dokumentima. EN 60745-1: 2009+A11: 2010; EN 55014-1: 2006+A1: 2009+A2: 2011; EN 55014-2: 1997+A1:2001+A2: 2008 po odredbama smjernica 2011/65/EU (RoHS), 2004/108/EC, 2006/42/EC.

Winnenden, 2012-06-11

Rainer Kumpf
Director Product Development

Ovlašten za formiranje tehničke dokumentacije.

BATERIJE

Nove baterije postižu svoj puni kapacitet nakon 4-5 ciklusa punjenja i pražnjenja. Baterije koje duže vremena nisu korištene, prije upotrebe napuniti.

Temperatura od preko 50°C smanjuje učinak baterija. Duže zagrijavanje od strane sunca ili grijanja izbjeci.

Priključne kontakte na uređaju za punjenje i baterijama držati čistima.

Za optimalni vijek trajanja se akumulatori poslije upotrebe moraju sasvim napuniti.

Za što moguće duži vijek trajanja, akumulatori se nakon punjenja moraju odstraniti iz punjača.

Kod skladištenja akumulatora duže od 30 dana:

Akumulator skladištiti na suhom kod ca. 27°C.

Akumulator skladištiti kod ca. 30%-50% stanja punjenja.

Akumulator ponovno napuniti svakih 6 mjeseci.

ZAŠTITA OD PREOPTEREĆENJA AKUMULATORA

Akkupack je opremljen jednom zaštitom protiv preopterećenja, koja akumulator štiti protiv preopterećenja i osigurava dugi vijek.

Kod ekstremno jakih opterećenja, elektronika akumulatora automatski isključuje stroj. Za nastavak rada stroja isključiti i ponovno uključiti. Ako se stroj ponovno ne pokrene, Akkupack je eventualno ispražnjem i mora se na punjaču ponovno napuniti.

RADNE UPUTE

Funkcija protiv kapanja

Preša kartuše raspolaže automatskom funkcijom protiv kapanja. Nakon ispuštanja pritisne sklopke motor za kratko vrijeme naknadno radi i rasterećuje pogonsku motku. To sprječava kapanje.

Kod jedne prazne tube motor naknadno kratko radi kako bi rasteretio pogonsku motku. Zatim sklopku ispustiti i tubu promijeniti.

Preopterećenje

Toliko dugo, dok je sklopka pritisnuta, stroj stvara tlak. Ako ipak ne iscure nikakav materijal uvjerite se da:

Je vrh sapnice odrezan.

Kartuša ne propušta.

Je stvrdnuti materijal bio odstranjen sa sapnice

Kartuša nije oštećena ili zamrzuta

Pogonska motka ne sadrži brtvenu masu ili ljepljivo.

ODRŽAVANJE

PAŽNJA! Klizači i pogonska motka ne smiju sadržavati brtvenu masu i ljepljivo. Onečišćenja odstraniti po preporukama proizvođača brtvene mase/ljepljiva.

Primijeniti samo Milwaukee opremu i Milwaukee rezervne dijelove. Sastavne dijelove, čija zamjena nije opisana, dati zamijeniti kod jedne od Milwaukee servisnih službi (poštivati brošuru Garancija/Adrese servisa).

Po potrebi se može zatražiti crtež eksplozije aparata uz davanje podataka o tipu stroja i desetoznamenastog broja na pločici snage kod Vaše servisne službe ili direktno kod Techtronic Industries GmbHs, Max-Eyth-Straße 10, D-71364 Winnenden, Germany.

SIMBOLI

Molimo da pažljivo pročitate uputu o upotrebi prije puštanja u rad.

Kod radova na stroju uvijek nositi zaštitne naočale.

Prije svih radova na stroju izvaditi bateriju za zamjenu.

Elektricne alate ne odlažite u kućne otpatke! Prema Europskoj direktivi 2002/96/EG o starim električnim i elektroničkim strojevima i preuzimanju u nacionalno pravo moraju se istrošeni električni alati sakupljati odvojeno i odvesti u pogon za reciklažu.

54 HRVATSKI

HRVATSKI 55

TEHNISKIE DATI Pistole-šprīce M12 PCG

Izpresēšanas spiediens.....	1780 N
Akumulātoru spriegums.....	12 V
Svars atbilstoši EPTA -Procedure 01/2003 (1,5 Ah).....	1,86 kg
Svars atbilstoši EPTA -Procedure 01/2003 (3,0 Ah).....	2,09 kg

Trokšņu un vibrāciju informācija

Vērtības, kas noteiktas saskaņā ar EN 60 745.

A novērtētās aparatūras skaņas līmenis ir:

trokšņa spiediena līmenis (K=3dB(A)).....	54,5 dB (A)
trokšņa jaudas līmenis (K=3dB(A)).....	65,5 dB (A)

Svārstību kopējā vērtība (Trīs virzienu vektoru summa) tiek noteikta atbilstoši EN 60745.

svārstību emisijas vērtība a _n	< 2,5 m/s ²
Nedrošība K.....	1,5 m/s ²

UZMANĪBU

Instrukcijā norādītā svārstību robežvērtība ir izmērīta mērījumu procesā, kas veikts atbilstoši standartam EN 60745, un to var izmantot elektroinstrumentu savstarpējai salīdzināšanai. Tā ir piemērota arī svārstību noslogojuma pagaidu izvērtēšanai.

Norādītā svārstību robežvērtība ir reprezentatīva elektroinstrumenta pamata pielietojuma jomām. Tomēr, ja elektroinstrumenti tiek pielietoti citās jomās, papildus izmantojot neatbilstošus elektroinstrumentus vai pēc nepietiekamas tehniskās apkopes, tad svārstību robežvērtība var atšķirties. Tas var ievērojami palielināt svārstību noslogojumu visa darba laikā.

Precīzai svārstību noslogojuma noteikšanai, ir jāņem vērā arī laiks, kad ierīces ir izslēgtas vai arī ir ieslēgtas, tomēr faktiski netiek lietotas. Tas var ievērojami samazināt svārstību noslogojumu visa darba laikā.

Integrējiet papildus drošības pasākumus pret svārstību ietekmi lietotājam, piemēram: elektroinstrumentu un darba instrumentu tehniskā apkope, roku siltuma uzturēšana, darba procesu organizācija.

⚠ UZMANĪBU! Izlasiet visu drošības instrukciju un lietošanas pamācību klāt pievienotajā bukletā. Šeit sniegto drošības noteikumu un norādījumu neievērošana var izraisīt aizdegšanos un būt par cēloni elektriskajam triecienam vai nopietnam savainojumam. **Pēc izlasišanas uzglabājiet šos noteikumus turpmākai izmantošanai.**

SPECIĀLIE DROŠĪBAS NOTEIKUMI

Ievērojiet norādījumus, kas doti lādēšanas ierīces lietošanas instrukcijā.

Strādājot ar mašīnu, vienmēr jānēsā aizsargbrilles.

Pirms mašīnai veikt jebkāda veida apkopes darbus, ir jāizņem ārā akumulātors.

Izmantotos akumulārus nedrīkst mest ugunī vai parastajos atkritumos. Firma Milwaukee piedāvā iespēju vecos akumulātorus savākt apkārtējo vidi saudzējošā veidā; jautājiet specializētā veikalā.

Akumulātorus nav ieteicams glabāt kopā ar metāla priekšmetiem (iespējams īsslēgums).

C12 sistēmas akumulātorus lādēt tikai ar C12 sistēmas lādētājiem. Nedrīkst lādēt citus akumulātorus no citām sistēmām.

Akumulātorus un lādētājus nedrīkst taisyt valjā un tie jāuzglabā sausās telpās.

Lai novērstu ievainojumu risku, elektriskos sītienu vai mašīnas bojājumus, nekad neievietojiet mašīnā šķidrūmā un neļaujiet nekādam šķidrumam iekļūt mašīnā

NOTEIKUMIEM ATBILSTOŠS IZMANTOJUMS

Ar akumulatoru piedzītā kartušu prese piemērota lai izspiestu blīvējošu vai līmējošu vielu no kartušām vai folijas maisiem. Lūdzu, ievērojiet arī blīvējošu vai līmējošu vielu izgatavotāju norādījumus.

Šo instrumentu drīkst izmantot tikai saskaņā ar minētajiem lietošanas noteikumiem.

AKUMULATORA AIZSARDŽĪBA PRET PĀRSLOGOJUMU

Akumulatoru bloks ir aprīkots ar pretpārsllogojuma aizsardzību, kas akumulatoru pasargā no pārsllogojuma un nodrošina ilgu tā kalpošanas laiku.

Ārkārtīgi augsta noslogojuma gadījumā akumulatora elektronika ierīci automātiski izslēdz. Lai darbu turpinātu, ierīci izslēdziet un atkal ieslēdziet. Ja ierīce neieslēdzas, iespējams, ka akumulatoru bloks ir izlādējies un ir jāuzlādē no jauna.

DARBA NORĀDES

Pret pilēšanas funkcija.

Pistolei-šprīcei ir automātiska pret pilēšanas funkcija. Pēc ieslēgšanas slēdža nospiešanas dzinēja darbība uz laiku kavējas un tādā veidā atslēdz bīdstieni. Tas novērš pilēšanu.

Tukšas tūbiņas gadījumā dzinējs uz brīdi apstājas, lai tādā veidā atslēgtu bīdstieni. Tad nospiediet ieslēgšanas slēdzi un nomainiet tūbiņu.

Pārslodze

Tik ilgi, kamēr ir ieslēgts ieslēgšanas slēdzis, mašīna attīsta spiedienu. Ja nu tomēr materiāls nenāk ārā, tad pārbaudiet, vai ir nogriezts uzgala gals, pistole-šprīce nav caura, no uzgala ir izņemts sacietējušais materiāls, pistole-šprīce nav bojāta vai sasalusī, bīdstienis ir brīvs no blīvējuma maisījumiem vai līmes.

APKOPE

UZMANĪBU! Suports un stienis ir jāpaliek tīri un brīvi no drīves un lipīgām vielām. Izīriet vielas pēc drīves/lipīgu vielu ražotāja ieteikuma.

Izmantojiet tikai firmu Milwaukee piederumus un firmas Milwaukee rezerves daļas. Lieciet nomainīt detaļas, kuru nomaīņa nav aprakstīta, kādā no firmu Milwaukee klientu apkalpošanas servisiem. (Skat. brošūru "Garantija/klientu apkalpošanas serviss".)

Ja nepieciešams, klientu apkalpošanas servisā vai tieši pie firmas Techtronic Industries GmbH, Max-Eyth-Straße 10, D-71364 Winnenden, Germany, var pieprasīt instrumenta eksplozijas zīmējumu, šim nolūkam jāuzrāda mašīnas tips un desmitvietīgais numurs, kas norādīts uz jaudas paneļa.

SIMBOLI



Pirms sākt lietot instrumentu, lūdzu, izlasiet lietošanas pamācību.



Strādājot ar mašīnu, vienmēr jānēsā aizsargbrilles.



Pirms mašīnai veikt jebkāda veida apkopes darbus, ir jāizņem ārā akumulātors.



Neizmetiet elektroiekartas sadzīves atkritumos! Saskana ar Eiropas Direktīvu 2002/96/EG par lietotajam elektroiekartam, elektronikas iekartam un tas iekļaušanu valsts likumdošana lietotas elektroiekartas ir jāsavāc atsevišķi un jānogada otrreizējai pārstrādei videi draudzīga veida.

ATBILSTĪBA CE NORMĀM

Ar šo apliecinām, ka esam atbildīgi par to, lai šis produkts atbilstu sekojošām normām vai normatīvajiem dokumentiem:

EN 60745-1: 2009+A11: 2010;
EN 55014-1: 2006+A1: 2009+A2: 2011;
EN 55014-2: 1997+A1:2001+A2: 2008
saskaņā ar direktīvu 2011/65/EU (RoHS), 2004/108/EC, 2006/42/EC noteikumiem.



Winnenden, 2012-06-11

Rainer Kumpf
Director Product Development

Pilnvarotais tehniskās dokumentācijas sastādīšanā.

AKUMULĀTORI

Jauni akumulātori sasniedz pilnu kapacitāti pēc 4-5 uzlādēšanas un izlādēšanas cikliem. Akumulātori, kas ilgāku laiku nav izmantoti, pirms lietošanas jāuzlādē.

Pie temperatūras, kas pārsniedz 50°C, akumulātoru darbība tiek negatīvi ietekmēta. Vajag izvairīties no ilgākas saules un karstuma iedarbības.

Lādētāja un akumulātoru pievienojuma kontakti jāuztur tīri.

Lai baterijas darba ilgums būtu optimāls, pēc iekārtas izmantošanas tā jāuzlādē.

Lai akumulatori kalpotu pēc iespējas ilgāku laiku, tos pēc uzlādes ieteicams atvienot no lādētāj ierīces.

Akumulatora uzglabāšana ilgāk kā 30 dienas: uzglabāt akumulatoru pie aptuveni 27° C un sausā vietā. Uzglabāt akumulatoru uzlādes stāvoklī aptuveni pie 30%-50%. Uzlādēt akumulatoru visus 6 mēnešus no jauna.

TECHNINIAI DUOMENYS Pistoletu kasetė M12 PCG

Išspaudimo slėgis	1780 N
Keičiamo akumuliatoriaus įtampa	12 V
Prietaiso svoris įvertintas pagal EPTA 2003/01 tyrimų metodiką (1,5 AH)	1,86 kg
Prietaiso svoris įvertintas pagal EPTA 2003/01 tyrimų metodiką (3,0 Ah)	2,09 kg

Informacija apie triukšmą/vibraciją

Vertės matuotos pagal EN 60 745.

Įvertintas A įrenginio keliamo triukšmo lygis dažniausiai sudaro:

Garso slėgio lygis (K=3dB(A))	54,5 dB (A)
Garso galios lygis (K=3dB(A))	65,5 dB (A)

Bendroji svyravimų reikšmė (trijų krypčių vektorių suma), nustatyta remiantis EN 60745.

Vibravimų emisijos reikšmė a_h	< 2,5 m/s ²
Paklaida K	1,5 m/s ²

DĖMESIO

Instrukcijoje nurodyta svyravimų ribinė vertė yra išmatuota remiantis standartu EN 60745; ji gali būti naudojama keliems elektriniams instrumentams palyginti. Ji taikoma ir laikinai įvertinti svyravimų apkrova.

Nurodyta svyravimų ribinė vertė yra taikoma pagrindinėse elektrinio instrumento naudojimo srityse. Svyravimų ribinė vertė gali skirtis naudojant elektrinį instrumentą kitose srityse, papildomai naudojant netinkamus elektrinius instrumentus arba juos nepakankamai techniškai prižiūrint. Dėl to viso darbo metu gali žymiai padidėti svyravimų apkrova.

Siekiant tiksliai nustatyti svyravimų apkrovą, būtina atsižvelgti ir į laikotarpį, kai įrenginys yra išjungtas arba įjungtas, tačiau faktiškai nenaudojamas. Dėl to viso darbo metu gali žymiai sumažėti svyravimų apkrova.

Siekiant apsaugoti vartotojus nuo svyravimo įtakos naudojamos papildomos saugos priemonės, pavyzdžiui, elektrinių darbo instrumentų techninė priežiūra, rankų šilumos palaikymas, darbo procesų organizavimas.

⚠ DĖMESIO! Perskaitykite visas saugumo pastabas ir nurodymus, esančius pridėtoje brošiūroje. Jei nepaisysite žemiau pateiktų saugos nuorodų ir reikalavimų, gali trenkti elektros smūgis, kilti gaisras ir/arba galite sunkiai susižaloti arba sužaloti kitus asmenis.

Išsaugokite šias saugos nuorodas ir reikalavimus, kad ir ateityje galėtumėte jais pasinaudoti.

YPATINGOS SAUGUMO NUORODOS

Laikykites kroviklio aptarnavimo vadove pateiktų nuorodų.

Dirbdami su įrenginiu visada nešiokite apsauginius akinius.

Prieš atlikdami bet kokius darbus įrenginyje, išimkite keičiamą akumuliatorių.

Sunaudotų keičiamų akumuliatorių nedeginkite ir nemeskite į buitines atliekas. „Milwaukee“ siūlo tausojantį aplinką sudėvėtų keičiamų akumuliatorių tvarkymą, apie tai prekybos atstovo.

Keičiamų akumuliatorių nelaikykite kartu su metaliniais daiktais (trumpojo jungimo pavojus).

Keičiamus „C12“ sistemos akumuliatorius kraukite tik „C12“ sistemos įkrovikliais. Nekraukite kitų sistemų akumuliatorių.

Keičiamų akumuliatorių ir įkroviklių nelaikykite atvirai. Laikykite tik sausoje vietoje. Saugokite nuo drėgmės.

Kad išvengtumėte sužeidimų, elektros smūgio ar mašinos sugadinimo rizikos, niekada neguldykite įrankio į skytį ir stenkitės, kad joks skystis nepatektų į įrankio vidų.

NAUDOJIMAS PAGAL PASKIRTĮ

Akumuliatorinis švirksčiamaųjų tūtų presas skirtas sandarinimo medžiagoms arba kljams iš švirksčiamaųjų tūtų arba folijos maišelių spausti. Prašome atkreipti dėmesį ir į sandarinimo medžiagų arba klijų gamintojų nuorodas.

Šį prietaisą leidžiama naudoti tik pagal nurodytą paskirtį.

CE ATITIKTIES PAREIŠKIMAS

Mes atsakingai pareiškiame, kad šis gaminytis atitinka tokias normas arba normatyvinius dokumentus:
 EN 60745-1: 2009+A11: 2010;
 EN 55014-1: 2006+A1: 2009+A2: 2011;
 EN 55014-2: 1997+A1:2001+A2: 2008
 pagal direktyvų 2011/65/EU (RoHS), 2004/108/EB, 2006/42/EB reikalavimus.



Winnenden, 2012-06-11

Rainer Kumpf
Director Product Development

Įgaliotas parengti techninius dokumentus.

AKUMULIATORIAI

Nauji keičiami akumuliatoriai savo pilną talpą įgyja po 4-5 įkrovos ir iškrovos ciklų. Ilgesnį laiką nenaudotus keičiamus akumuliatorius prieš naudojimą įkraukite.

Aukštesnė nei 50°C temperatūra mažina keičiamų akumuliatorių galią. Venkite ilgesnio saulės ar šilumos šaltinių poveikio.

Įkroviklio ir keičiamo akumuliatoriaus jungiamieji kontaktai visada turi būti švarūs.

Kad prietaisas kuo ilgiau veiktų, pasinaudoję juo, iki galo įkraukite akumuliatorius.

Siekiant užtikrinti kuo ilgesnį baterijos tarnavimo laiką, reikėtų ją po atlikto įkrovimo iškart išimti iš įkroviklio.

Bateriją laikant ilgiau nei 30 dienų, būtina atkreipti dėmesį į šias nuorodas: bateriją laikyti sausoje aplinkoje, esant apie 27 °C temperatūrai. Baterijos įkrovimo lygis turi būti nuo 30% iki 50%. Baterija pakartotinai turi būti įkraunama kas 6 mėnesius.

APSAUGA NUO AKUMULIATORIAUS PERKROVOS

Akumuliatorių blokas turi apsaugą nuo perkrovos, kuri leidžia išvengti perkrovų ir užtikrina jo eksploatacijos ilgaamžiškumą.

Esant didelėms apkrovoms, akumuliatoriaus elektroninė sistema prietaisą išjungia automatiškai. Kad prietaisas dirbtų toliau, reikia jį išjungti ir vėl įjungti. Jeigu prietaisas neįsijungia, esant galimybei, akumuliatoriaus komplektą reikia iškrauti ir įkroviklyje iš naujo įkrauti.

NUORODOS DARBUI**Funkcija, apsauganti nuo lašėjimo.**

Pistoletu kasetė turi automatinę, apsauginę funkciją nuo lašėjimo. Atleidus jungiklio mygtuką, variklis dar trumpą laiką dirba ir atpalaiduoja stūmimo svirtį. Tai padeda apsaugoti nuo medžiagos lašėjimo.

Esant tuščiam vamzdeliui,

variklis kurį laiką veikia, kad atplaiduotų stūmimo svirtį. Po to reikia atleisti jungiklio mygtuką ir pakeisti vamzdelį.

Prietaiso apkrova

Kuo ilgiau spaudžiamas jungiklio mygtukas, tuo didesnį krūvį patiria prietaisas. Tuo atveju, jei medžiaga neišbėga, patikrinkite:

Ar nupjautas purkštuvu antgalis.

Ar kasetė yra sandari.

Ar sukietėjusi medžiaga buvo pašalinta iš purkštuvo.

Ar kasetė nėra pažeista arba užšalusi.

Ar stūmimo svirtis neužkimšta sandarinimo mase arba kljais.

TECHNINIS APTARNAVIMAS**DĖMESIO!** Apkaba ir strypas turi likti švarūs, ant jų neturi būti kamšalo ir lipnios medžiagos. Nuvalykite laikydamiesi kamšalo / lipnios medžiagos gamintojo rekomendacijų.

Naudokite tik „Milwaukee“ priedus ir „Milwaukee“ atsargines dalis. Dalis, kurių keitimas neaprašytas, leidžiama keisti tik „Milwaukee“ klientų aptarnavimo skyriams (žr. garantiją/ klientų aptarnavimo skyrių adresus brošiūroje).

Jei reikia, nurodant įrenginio tipą bei specifikacijų lentelėje esantį dešimtženklį numerį, iš klientų aptarnavimo skyriaus arba tiesiai iš Techtronic Industries GmbH, Max-Eyth-Straße 10, D-71364 Winnenden, Germany, galima užsisakyti prietaiso surinkimo brėžinius.

SIMBOLIAI

Prieš pradėdami dirbti su prietaisu, atidžiai perskaitykite jo naudojimo instrukciją.



Dirbdami su įrenginiu visada nešiokite apsauginius akinius.



Prieš atlikdami bet kokius darbus įrenginyje, išimkite keičiamą akumuliatorių.



Neišmeskite elektros įrengimu į buitinius šiukšlynus! Pagal ES Direktyva 2002/96/EG del naudoto įrengimu, elektros įrengimu ir ju itraukimo i valstybinius istatymus naudotus irengimus butina suringti atskirai ir nugabenti antriniu žaliavu perdirbimui aplinkai nenkenksmingu budu.

Väljasurve rõhk.....	1780 N
Vahetatava aku pinge.....	12 V
Kaal vastavalt EPTA-protseduurile 01/2003 (1,5 Ah).....	1,86 kg
Kaal vastavalt EPTA-protseduurile 01/2003 (3,0 Ah).....	2,09 kg

Müra/vibratsiooni andmed

Mõõteväärtused on kindlaks tehtud vastavalt normile EN 60 745.

Seadme tüüpiline hinnanguline (A) müratase:

Helirõhutase (K=3dB(A)).....	54,5 dB (A)
Helivõimsuse tase (K=3dB(A)).....	65,5 dB (A)

Vibratsiooni koguväärtus (kolme suuna vektorsumma) mõõdetud EN 60745 järgi.

Vibratsiooni emissiooni väärtus a_h	< 2,5 m/s ²
Määramatus K.....	1,5 m/s ²

TÄHELEPANU

Antud juhendis toodud võnketase on mõõdetud EN 60745 standardile vastava mõõtesüsteemiga ning seda võib kasutada erinevate elektriseadmete omavahelises võrdlemises. Antud näitaja sobib ka esmaseks võnkekoormuse hindamiseks.

Antud võnketase kehtib elektriseadme kasutamisel sihtotstarbeliselt. Kui elektriseadet kasutatakse muudel otstarvetel, muude tööriistadega või seda ei hooldata piisavalt võib võnketase siintoodust erineda. Eeltoodu võib võnketaset märkimisväärselt tõsta terves töökeskkonnas.

Võnketaseme täpseks hindamiseks tuleks arvestada ka Milwaukeea, mil seade on välja lülitatud või on küll sisse lülitatud, kuid ei ole otseselt kasutuses. See võib märgatavalt vähendada kogu töökeskkonna võnketaset.

Rakendage spetsiaalseid ettevaatusabinõusid töötajate suhtes, kes puutuvad töö käigus palju kokku vibratsiooniga. Nendeks abinõudeks võivad olla, näiteks: elektri- ja tööseadmete korraline hooldus, käte soojendamine, töövoo parem organiseerimine.

⚠ TÄHELEPANU! Lugege kõik ohutusnõuanded ja juhendid läbi, ka juures olevast brošüürist. Ohutusnõuete ja juhiste eiramise tagajärjeks võib olla elektrilöökk, tulekahju ja/või rasked vigastused.

Hoidke kõik ohutusnõuded ja juhendid edasiseks kasutamiseks hoolikalt alles.

SPETSIAALSED TURVAJUHISED

Pidada kinni juhistest, mis on kirjas laadija kasutusjuhendis. Masinaga töötades kandke alati kaitseprille.

Enne kõiki töid masina kallal võtke vahetatav aku välja.

Ärge visake tarvitatud vahetatavaid akusid tulle ega olmeprügisse. Milwaukee pakub vanade akude keskkonnahoidlikku käitlust; palun küsige oma erialaselt tarnijalt.

Ärge säilitage vahetatavaid akusid koos metallsemetega (lühiseoht).

Laadige süsteemi C12 vahetatavaid akusid ainult süsteemi C12 laadijatega. Ärge laadige nendega teiste süsteemide akusid.

Ärge avage vahetatavaid akusid ega laadijaid ning ladustage neid ainult kuivades ruumides. Kaitske niiskuse eest.

Et ära hoida õnnetuste tekkimise, elektrilöögi või masina kahjustamise ohtu, ärge kunagi asetage masinat vedelikesse ega laske vedelikel masina sisemusse tungida

KASUTAMINE VASTAVALT OTSTARBELE

Aku-kartuššipress on mõeldud kartuššidest või kilekottidest tihendus- või kleepaine väljasurumiseks. Palun järgige ka tihendus- või kleepaine tootja juhendeid.

Antud seadet tohib kasutada ainult vastavalt äranäidatud otstarbele.

EÜ VASTAVUSAVALDUS

Me deklareerime ainuvastutajatena, et antud toode on kooskõlas järgmistega normide või normdokumentidega:
EN 60745-1: 2009+A11: 2010;
EN 55014-1: 2006+A1: 2009+A2: 2011;
EN 55014-2: 1997+A1:2001+A2: 2008
vastavalt direktiivide 22011/65/EU (RoHS), 2004/108/EÜ, 2006/42/EÜ sätetele.



Winnenden, 2012-06-11

Rainer Kumpf

Rainer Kumpf
Director Product Development

On volitatud koostama tehnilist dokumentatsiooni.

AKUD

Uued vahetatavad akud saavutavad oma täieliku mahtuvuse pärast 4–5 laadimis- ja tühjendustsüklit. Pikemat Milwaukeea mittekasutatud akusid laadige veel enne kasutamist.

Temperatuur üle 50 °C vähendab vahetatava aku töövõimet. Vältige pikemat soojenemist päikese või kütteseadme mõjul.

Hoidke laadija ja vahetatava aku ühenduskontaktid puhtad.

Optimaalse patarei eluea tagamiseks, pärast kasutamist lae patareiplokk täielikult.

Akud tuleks võimalikult pika kasutusea saavutamiseks pärast täislaadimist laadijast välja võtta.

Aku ladustamisel üle 30 päeva:
Ladustage akut kuivas kohas u 27°C juures.
Ladustage akut u 30-50% laetusseisundis.
Laadige aku iga 6 kuu tagant täis.

AKU KOORMUSKAITSE

Akuplokk on varustatud koormuskaitsega, mis kaitseb akut üleliigse koormuse eest ning kindlustab selle pika eluea. Äärmiselt suurest koormusest annab märku vilkuv tütuli. Kui koormust ei vähendata, siis lülitab masin ennast automaatselt välja. Edasi töötamiseks tuleb masin välja ja uuesti sisse lülitada. Kui masin ei lähe uuesti tööle on akuplokk nähtavasti tühi ja tuleks laadimiseseadmega uuesti täis laadida.

TÖÖJUHISED**Tilkumisvastane funktsioon**

Kartuššipress on varustatud automaatse tilkumisvastase funktsiooniga. Pärast päästiklüüti lahtiaskmist töötab mootor hetke vältel edasi ja vabastab nii lükkevarda koormusest. Sellega välditakse tilkumist.

Tühja tuubi korral töötab mootor lükkevarda koormusest vabastamiseks hetke vältel edasi. Laske siis päästiklüüti lahti ja vahetage tuub.

Ülekoormus

Päästiklüüti vajutamise ajal toodab masin rõhku. Kui materjali ei peaks siiski välja tungima, siis tehke kindlaks: Düüsitipp on maha lõigatud. Kartušš pole ebatihed.

Kõvastunud materjal on düüsis eemaldatud.

Kartušš pole kahjustatud või külmunud.

Lükkevarras on tihendusmassist või liimist puhas.

HOOLDUS

TÄHELEPANU! Suport ja varb peab olema puhtad ja vabad korkidest ja kleepuvatest materjalidest. Puhastage materjale korkidest/kleepuvatest materjalidest tootja juhutuste järgi.

Kasutage ainult Milwaukeea tarvikuid ja Milwaukeea tagavaraosi. Detailid, mille väljavahetamist pole kirjeldatud, laske välja vahetada Milwaukeea klienditeeninduspunktis (vaadake brošüüri garantii / klienditeeninduste aadressid).

Vajaduse korral võite tellida seadme läbilõikejoonise, näidates ära masina tüübi ja andmesildil oleva kummekohalise numbrilise. Selleks pöörduge klienditeeninduspunkti või otse: Techtronic Industries GmbH, Max-Eyth-Straße 10, D-71364 Winnenden, Germany.

SÜMBOLID

Palun lugege enne käikulaskmist kasutusjuhend hoolikalt läbi.



Masinaga töötades kandke alati kaitseprille.



Enne kõiki töid masina kallal võtke vahetatav aku välja.



Ärge käideldage kasutuskoõlbmatuks muutunud elektrilisi tööriistu koos olmejäätmetega! Vastavalt Euroopa Parlamendi ja nõukogu direktiivile 2002/96/EÜ elektri- ja elektroonikaseadmete jäätmete kohta ning direktiivi nõuete kohaldamisele liikmesriikides tuleb asutuskoõlbmatuks muutunud elektrilised tööriistad koguda eraldi ja keskkonnasäästlikult korduskasutada või ringlusse võtta.

ТЕХНИЧЕСКИЕ ДАННЫЕ Пистолет для картриджей **M12 PCG**

Давление выпрессовывания.....	1780 N
Вольтаж аккумулятора.....	12 V
Вес согласно процедуре EPTA 01/2003 (1,5 Ah).....	1,86 kg
Вес согласно процедуре EPTA 01/2003 (3,0 Ah).....	2,09 kg

Информация по шумам/вибрации

Значения замерялись в соответствии со стандартом EN 60 745.

Уровень шума прибора, определенный по показателю A, обычно составляет:

Уровень звукового давления (K=3dB(A)).....	54,5 dB (A)
Уровень звуковой мощности (K=3dB(A)).....	65,5 dB (A)

Общие значения вибрации (векторная сумма трех направлений) определены в соответствии с EN 60745.

Значение вибрационной эмиссии a_h	< 2,5 m/s ²
Небезопасность K.....	1,5 m/s ²

ВНИМАНИЕ

Указанный в настоящем руководстве уровень вибрации измерен в соответствии с технологией измерения, установленной стандартом EN 60745 и может использоваться для сравнения электроинструментов друг с другом. Он также подходит для предварительной оценки вибрационной нагрузки.

Указанный уровень вибрации представляет основные виды использования электроинструмента. Но если электроинструмент используется для других целей, используемый инструмент отклоняется от указанного или техническое обслуживание было недостаточным, то уровень вибрации может отклоняться от указанного. В этом случае вибрационная нагрузка в течение всего периода работы значительно увеличивается.

Для точной оценки вибрационной нагрузки необходимо также учитывать время, в течение которого прибор отключен или включен, но фактически не используется. В этом случае вибрационная нагрузка в течение всего периода работы может существенно уменьшиться.

Установите дополнительные меры безопасности для защиты пользователя от воздействия вибрации, например: техническое обслуживание электроинструмента и используемого инструмента, поддержание рук в теплом состоянии, организация рабочих процессов.

ВНИМАНИЕ! Ознакомьтесь со всеми указаниями по безопасности и инструкциями, в том числе с инструкциями, содержащимися в прилагающейся брошюре. Улучшения, допущенные при соблюдении указаний и инструкций по технике безопасности, могут стать причиной электрического поражения, пожара и тяжелых травм. **Сохраняйте эти инструкции и указания для будущего использования.**

РЕКОМЕНДАЦИИ ПО ТЕХНИКЕ БЕЗОПАСНОСТИ

Соблюдайте инструкции в руководстве по обслуживанию зарядного устройства.

При работе с инструментом всегда надевайте защитные очки.

Выньте аккумулятор из машины перед проведением с ней каких-либо манипуляций.

Не выбрасывайте использованные аккумуляторы вместе с домашним мусором и не сжигайте их. Дистрибьюторы компании Milwaukee предлагают восстановление старых аккумуляторов, чтобы защитить окружающую среду.

Не храните аккумуляторы вместе с металлическими предметами во избежание короткого замыкания.

Для зарядки аккумуляторов модели C12 используйте только зарядное устройство C12. Не заряжайте аккумуляторы других систем.

Никогда не вскрывайте аккумуляторы или зарядные устройства и храните их только в сухих помещениях. Следите чтобы они всегда были сухими.

Для предотвращения риска травм, электрического удара или разрушения машины машину никогда не кладите в жидкость и следите за тем, чтобы жидкость не попала внутрь машины.

ИСПОЛЬЗОВАНИЕ

Аккумуляторный прессовый инструмент годится для выпрессовывания уплотнительного или клеящего вещества из гильз или пленочных пакетов. Пожалуйста, соблюдайте также указания изготовителей уплотнительных и/или клеящих материалов.

Не пользуйтесь данным инструментом способом, отличным от указанного для нормального применения.

ДЕКЛАРАЦИЯ О СООТВЕТСТВИИ СТАНДАРТАМ ЕС

Мы заявляем что этот продукт соответствует следующим стандартам:
EN 60745-1: 2009+A11: 2010;
EN 55014-1: 2006+A1: 2009+A2: 2011;
EN 55014-2: 1997+A1:2001+A2: 2008
в соответствии с правилами 2011/65/EU (RoHS), 2004/108/EC, 2006/42/EC.



Winnenden, 2012-06-11

Rainer Kumpf
Director Product Development

Уполномочен на составление технической документации.

АККУМУЛЯТОР

Новый аккумулятор заряжается до полной емкости после 4 - 5 зарядных циклов. Перед использованием аккумулятора, которым не пользовались некоторое время, его необходимо зарядить.

Температура свыше 50°C снижает работоспособность аккумуляторов. Избегайте продолжительного нагрева или прямого солнечного света (риск перегрева).

Контакты зарядного устройства и аккумуляторов должны содержаться в чистоте.

Для обеспечения оптимального срока службы аккумулятор необходимо полностью заряжать после использования прибора.

Для достижения максимально возможного срока службы аккумулятора после зарядки следует вынимать из зарядного устройства.

При хранении аккумулятора более 30 дней: Храните аккумулятор при 27°C в сухом месте. Храните аккумулятор с зарядом примерно 30% - 50%. Каждые 6 месяцев аккумулятор следует заряжать.

ЗАЩИТА АККУМУЛЯТОРА ОТ ПЕРЕГРУЗКИ

Аккумуляторный блок оснащен предохранителем от перегрузки, который защищает аккумулятор от перегрузки и обеспечивает долгий срок службы. При чрезмерно сильных нагрузках электроника аккумулятора автоматически отключит машину. Для продолжения работы машину выключить и снова включить. Если машина не включается, то, возможно, разрядился аккумуляторный блок и следует зарядить его в зарядном устройстве.

СОВЕТЫ ПО ЭКСПЛУАТАЦИИ

Антикапельная функция
Пистолет для картриджей имеет антикапельную функцию. После отпущения нажимного выключателя двигатель некоторое время работает по инерции и разгружает шатун. В результате этого предотвращается подтекание.

После опорожнения магазина двигатель некоторое время работает по инерции, чтобы разгрузить шатун. После этого отпустите нажимной выключатель и замените магазин.

Перегрузка
Инструмент создает давление, пока удерживается нажимной выключатель. Если материал, тем не менее, не выступает, убедитесь, что:
Отрезан наконечник сопла.
Картридж не разгерметизирован.
Затвердевший материал удален с сопла
Картридж не поврежден или не замерз
На шатуне отсутствует герметик или клей.

ОБСЛУЖИВАНИЕ

ВНИМАНИЕ! Ползун и толкающая штанга должны быть чистыми, без остатков герметика и клея. Загрязнения удалять согласно рекомендациям производителя герметика/клея.

Пользуйтесь аксессуарами и запасными частями Milwaukee. В случае возникновения необходимости в замене, которая не была описана, обращайтесь в один из сервисных центров по обслуживанию электроинструментов Milwaukee (см. список сервисных организаций).

При необходимости может быть заказан чертеж инструмента с трехмерным изображением деталей. Пожалуйста, укажите десятизначный номер и тип инструмента и закажите чертеж у Ваших местных агентов или непосредственно у Techtronic Industries GmbH, Max-Eyth-Strasse 10, D-71364 Winnenden, Germany.

СИМВОЛЫ

Пожалуйста, внимательно прочтите инструкцию по использованию перед началом любых операций с инструментом.



При работе с инструментом всегда надевайте защитные очки.



Выньте аккумулятор из машины перед проведением с ней каких-либо манипуляций.



Не выбрасывайте электроинструмент с бытовым мусором! Согласно Европейской директиве 2002/96/EC по отходам от электрического и электронного оборудования и соответствующим нормам национального права вышедшие из употребления электроинструменты подлежат сбору отдельно для экологически безопасной утилизации.



Соответствие техническому регламенту



Національний знак відповідності України

ТЕХНИЧЕСКИ ДАННИ Пистолет-преса M12 PCG

Натиск на извличане.....	1780 N
Напрежение на акумулатора	12 V
Тегло съгласно процедурата EPTA 01/2003 (1,5 Ah).....	1,86 kg
Тегло съгласно процедурата EPTA 01/2003 (3,0 Ah).....	2,09 kg

Информация за шума/вибрациите

Измерените стойности са получени съобразно EN 60 745.

Оцененото с А ниво на шума на уреда е съответно:

Ниво на звукова мощност (K=3dB(A))	54,5 dB (A)
Ниво на звукова мощност (K=3dB(A))	65,5 dB (A)

Общите стойности на вибрациите (векторна сума на три посоки) са определени в съответствие с EN 60745.

Стойност на емисии на вибрациите a_n	< 2,5 m/s ²
Несигурност К	1,5 m/s ²

ВНИМАНИЕ

Посоченото в тези инструкции ниво на вибрациите е измерено в съответствие със стандартизиран в EN 60745 измервателен метод и може да се използва за сравнение на електрически инструменти помежду им. Подходящ е и за временна оценка на вибрационното натоварване.

Посоченото ниво на вибрациите представя основните приложения на електрическия инструмент. Ако обаче електрическият инструмент се използва с друго предназначение, с различни сменяеми инструменти или при недостатъчна техническа поддръжка, нивото на вибрациите може да е различно. Това чувствително може да увеличи вибрационното натоварване по време на целия работен цикъл.

За точната оценка на вибрационното натоварване трябва да се вземат предвид и периодите от време, в които уредът е изключен или работи, но в действителност не се използва. Това чувствително може да намали вибрационното натоварване по време на целия работен цикъл.

Определете допълнителни мерки по техника на безопасност в защита на обслужващия работник от въздействието на вибрациите като например: техническа поддръжка на електрическия инструмент и сменяемите инструменти, поддръжане на ръцете топли, организация на работния цикъл.

⚠ ВНИМАНИЕ! Прочетете указанията за безопасност и съветите в приложената брошура. Неспазването на приведените по-долу указания може да доведе до токов удар, пожар и/или тежки травми.

Съхранявайте тези указания на сигурно място.

СПЕЦИАЛНИ УКАЗАНИЯ ЗА БЕЗОПАСНОСТ

Да се съблюдават указанията, дадени в упътването за експлоатация на зареждащия уред

При работа с машината винаги носете предпазни очила.

Преди започване на каквито е да е работи по машината извадете акумулатора.

Не изхвърляйте изхабените акумулатори в огъня или в при битовите отпадъци. Milwaukee предлага екологосъобразно събиране на старите акумулатори; моля попитайте Вашия специализиран търговец.

Не съхранявайте акумулаторите заедно с метални предмети (опасност от късо съединение).

Акумулатори от системата C12 да се зареждат само със зарядни устройства от системата C12 laden. Да не се зареждат акумулатори от други системи.

Не отваряйте акумулатори и зарядни устройства и ги съхранявайте само в сухи помещения. Пазете ги от влага.

За да се предотврати рискът от наранявания, електроудар или разрушаване на машината, машината не бива никога да се поставя в течност, а и течност не бива да попада вътре в машината.

ИЗПОЛЗВАНЕ ПО ПРЕДНАЗНАЧЕНИЕ

Акумулаторната патронна преса е подходяща за извличане на уплътняващи вещества или лепила от патрони или найлонови торбички. Молим да съблюдавате и указанията на производителите на уплътняващи вещества и лепила.

Този уред може да се използва по предназначение само както е посочено.

СЕ - ДЕКЛАРАЦИЯ ЗА СЪОТВЕТСТВИЕ

Декларираме на собствена отговорност, че този продукт съответства на следните стандарти или нормативни документи:
EN 60745-1: 2009+A11: 2010;
EN 55014-1: 2006+A1: 2009+A2: 2011;
EN 55014-2: 1997+A1:2001+A2: 2008
съобразно предписанията на директивите 2011/65/EU (RoHS), 2004/108/EO, 2006/42/EO.



Winnenden, 2012-06-11

Rainer Kumpf
Director Product Development

Упълномощен за съставяне на техническата документация

АКУМУЛАТОРИ

Новите сменяеми акумулатори достигат пълния си капацитет след 4-5 цикъла на зареждане и разреждане. Акумулатори, които не са ползвани по-дълго време, преди употреба да се дозаредят.

Температура над 50°C намалява мощността на акумулатора. Да се избягва по-продължително нагряване на слънце или от отопление.

Поддържайте чисти присъединителните контакти на зарядното устройство и на акумулатора.

За оптимална продължителност на живот след употреба батериите трябва да се заредят напълно.

За възможно по-дълга продължителност на живот батериите трябва да се изваждат от уреда след зареждане.

При съхранение на батериите за повече от 30 дни: съхранявайте батерията при прилб. 27°C и на сухо място. Съхранявайте батерията при 30 до 50 % от заряда. Зареждайте батерията на всеки 6 месеца.

ЗАЩИТА ОТ ПРЕТОВАРВАНЕ НА БАТЕРИЯТА

Акумулаторният пакет е оборудван със защита против претоварване, която защитава акумулатора от претоварване и гарантира дълъг експлоатационен живот.

При извънредно силно натоварване електрониката на акумулатора автоматично изключва машината. За продължаване на работата изключете и отново включете машината. Ако машината не може да се пусне наново, може би акумулаторният пакет е разреден и трябва отново да се зареди в зарядното устройство.

УКАЗАНИЯ ЗА РАБОТАТА

Противокапеща функция

Пистолетът-преса притежава протипокапеща функция. След пускане на спусъка моторът продължава да работи за кратко и по този начин освобождава напрежението в тласкащата щанга. Това предотвратява последващото капане.

При празна туба моторът продължава да работи за кратко с цел осъществяване на напрежението в щангата. След това пуснете спусъка и сменете тубата.

Претоварване

Докато държите спусъка натиснат, машината увеличава налягането. Ако въпреки това не излиза материал, се уверете, че:
е отрязан върха на дюзата;
пистолетът не изпуска;
втвърденият материал е отстранен от дюзата;
пистолетът не е повреден или замръзнал;
тласкащата щанга не е запушена с материал или залепнала.

ПОДДРЪЖКА

ВНИМАНИЕ! Плъзгащите релси и тласкащият механизъм не трябва да са зацапани с уплътнителна смес и лепило. Почистете замърсяванията съгласно препоръките на производителя на уплътнителна смес/лепило.

Да се използват само аксесоари на Milwaukee и резервни части на Milwaukee. Елементи, чията подмяна не е описана, да се дадат за подмяна в сервис на Milwaukee (вижте брошурата "Гаранция и адреси на сервиси").

При необходимост можете да поискате за уреда от Вашия сервис или директно от Techtronic Industries GmbH, Max-Eyth-Straße 10, D-71364 Winnenden, Germany, чертеж за в случай на експлозия, като посочите типа на машината и десетцифрения номер върху заводската табелка.

СИМВОЛИ



Преди пускане на уреда в действие моля прочетете внимателно инструкцията за използване.



При работа с машината винаги носете предпазни очила.



Преди започване на каквито е да е работи по машината извадете акумулатора.



Не изхвърляйте електроинструменти при битовите отпадъци! Съобразно Европейска директива 2002/96/EO за стари електрически и електронни уреди и нейното реализиране в националното законодателство изхабените електроинструменти трябва да се събират отделно и да се предават в пункт за екологосъобразно рециклиране.

DATE TEHNICE Presă de cartuş M12 PCG

Presiune de presare afară	1780 N
Tensiune acumulator	12 V
Greutatea conform „EPTA procedure 01/2003” (1,5 Ah)	1,86 kg
Greutatea conform „EPTA procedure 01/2003” (3,0 Ah)	2,09 kg

Informație privind zgomotul/vibrațiile

Valori măsurate determinate conform EN 60 745.

Nivelul de zgomot evaluat cu A al aparatului este tipic de:

Nivelul presiunii sonore	54,5 dB (A)
Nivelul sunetului	65,5 dB (A)

Valorile totale de oscilație (suma vectorială pe trei direcții) determinate conform normei EN 60745.

Valoarea emisiei de oscilații a_n	< 2,5 m/s ²
Nesiguranță K	1,5 m/s ²

AVERTISMENT

Gradul de oscilație indicat în prezentele instrucțiuni a fost măsurat în conformitate cu o procedură de măsurare normată prin norma EN 60745 și poate fi folosit pentru a compara uneltele electrice între ele. El se pretează și pentru o evaluare provizorie a solicitării la oscilații.

Gradul de oscilație indicat reprezintă aplicațiile principale ale uneltelor electrice. În cazul în care însă uneltele electrice au fost folosite pentru alte aplicații, ori au fost folosite uneltele de muncă diferite ori acestea nu au fost supuse unei suficiente inspecții de întreținere, gradul de oscilație poate fi diferit.

Acest fapt poate duce la o creștere netă a solicitărilor la oscilații dealungul întregii perioade de lucru.

În scopul unei evaluări exacte a solicitării la oscilații, urmează să fie luate în considerare și perioadele de timp în care aparatul a fost oprit ori funcționează dar, în realitate, el nu este folosit în mod practic. Acest fapt poate duce la o reducere netă a solicitărilor la oscilații dealungul întregii perioade de lucru.

Stabiliți măsuri de siguranță suplimentare în scopul protecției utilizatorului de efectele oscilațiilor, de exemplu: inspecție de întreținere a uneltelor electrice și a celor de muncă, păstrarea caldă a mâinilor, organizarea proceselor de muncă.

⚠ AVERTISMENT! Citiți toate avizele de siguranță și indicațiile, chiar și cele din borșura alăturată.

Nerespectarea indicațiilor de avertizare și a instrucțiunilor poate provoca electrocutare, incendii și/sau răniri grave. **Păstrați toate indicațiile de avertizare și instrucțiunile în vederea utilizărilor viitoare.**

INSTRUCȚIUNI DE SECURITATE

Observați indicațiile din manualul de folosire al aparatului de încărcare.

Purtați întotdeauna ochelari de protecție atunci când utilizați mașina

Îndepărtați acumulatorul înainte de începerea lucrului pe mașina

Nu aruncați acumulatorii uzați la containerul de reziduri menajere și nu îi ardeți. Milwaukee Distributors se oferă să recupereze acumulatorii vechi pentru protecția mediului înconjurător.

Nu depozitați acumulatorul împreună cu obiecte metalice (risc de scurtcircuit)

Folosiți numai încărcătoare System C12 pentru încărcarea acumulatorilor System C12. Nu folosiți acumulatori din alte sisteme.

Nu deschideți niciodată acumulatorii și încărcătoarele și pastrați-le numai în încăperi uscate. Pastrați-le întotdeauna uscate.

Pentru a preveni riscul unor răniri, a unor curentări electrice sau a deteriorării mașinii nu se va depune mașina niciodată în lichid și nu se va permite penetrarea de lichid în interiorul mașinii.

CONDIȚII DE UTILIZARE SPECIFICATE

Presă de cartuş cu acumulator se pretează la presarea afară a materialelor de etanșare și a lipiciului din cartușe sau pungi din folie. Aveți în vedere și indicațiile producătorilor de materiale de etanșare și de lipici.

Nu utilizați acest produs în alt mod decât cel stabilit pentru utilizare normală

DECLARAȚIE DE CONFORMITATE

Declarăm pe propria răspundere că acest produs este în conformitate cu următoarele standarde sau documente standardizate
EN 60745-1: 2009+A11: 2010;
EN 55014-1: 2006+A1: 2009+A2: 2011;
EN 55014-2: 1997+A1:2001+A2: 2008
în conformitate cu reglementările 2011/65/EU (RoHs), 2004/108/EC, 2006/42/EC.



Winnenden, 2012-06-11

Rainer Kumpf
Director Product Development

Împuternicit să elaboreze documentația tehnică.

ACUMULATORI

Noile pachete de acumulatori ating capacitatea totală de încărcare după 4-5 încărcări și descărcări. Acumulatorii care nu au fost utilizați o perioadă de timp trebuie reîncărcați înainte de utilizare.

Temperatura mai mare de 50°C (122°F) reduce performanța acumulatorului. Evitați expunerea prelungită la căldură sau radiație solară (risc de supraîncălzire)

Contactele încărcătoarelor și acumulatorilor trebuie păstrate curate.

În scopul optimizării duratei de funcționare, bateriile trebuie reîncărcate complet după utilizare.

Pentru o durată de viață cât mai lungă, acumulatorii ar trebui scoși din încărcător după încărcare.

La depozitarea acumulatorilor mai mult de 30 zile: Acumulatorii se depozitează la cca. 27°C și la loc uscat. Acumulatorii se depozitează la nivelul de încărcare de cca. 30%-50%.

Acumulatorii se încarcă din nou la fiecare 6 luni.

PROTECȚIE SUPRAÎNCĂRCARE ACUMULATOR

Bateria de acumuloare este dotată cu o protecție anti-suprasarcină, care protejează acumulatorul împotriva supraîncărcării și îi asigură o durată îndelungată de viață. În cazul unei solicitări extrem de ridicate, sistemul electronic al acumulatorului decuplează mașina în mod automat. Pentru continuarea lucrului, mașina trebuie decuplată și apoi cuplată din nou. Dacă mașina nu pornește, este posibil ca bateria de acumuloare să fie descărcată, trebuind reîncărcată în aparatul de încărcare.

INSTRUCȚIUNI DE UTILIZARE**Funcție anti-picurare**

Presă de cartuş are o funcție automată anti-picurare. După eliberarea manetei de pornire, motorul mai funcționează în continuare pentru un scurt timp și astfel detensionează tija de împingere. Acest lucru împiedică o picurare ulterioară.

Dacă tubul este gol, motorul mai funcționează în continuare pentru un scurt timp pentru a detensiona tija de împingere. Apoi se eliberează maneta de pornire și se schimbă tubul.

Suprasolicitarea

Atât timp cât maneta de pornire este apăsată, presiunea din mașină crește. În cazul în care nu iese material asigurați-vă că:

Vârful duzei este tăiat.

Cartușul este etanș.

Materialul întărit a fost îndepărtat de pe duză

Cartușul nu este deteriorat sau înghețat

Pe tija de împingere nu este masă de etanșare sau adeziv.

INTREȚINERE

ATENȚIE! Sania de transport și tija de antrenare trebuie să fie curate și lipsite de resturi de material de etanșare sau de material adeziv. Impuritățile de material se vor curăța conform indicațiilor producătorului materialului de etanșare sau al adezivului.

Utilizați numai accesorii și piese de schimb Milwaukee.

Dacă unele din componente care nu au fost descrise trebuie înlocuite, vă rugăm contactați unul din agenții de service Milwaukee (vezi lista noastră pentru service / garanție)

Dacă este necesară, se poate comanda o imagine descompusă a sculei. Vă rugăm menționați numărul art. Precum și tipul mașinii tipărit pe etichetă și comandați desenul la agenții de service locali sau direct la Techtronic Industries GmbH, Max-Eyth-Straße 10, D-71364 Winnenden, Germany.

SIMBOLURI

Va rugăm citiți cu atenție instrucțiunile înainte de pornirea mașinii



Purtați întotdeauna ochelari de protecție când utilizați mașina.



Îndepărtați acumulatorul înainte de începerea lucrului pe mașina



Nu aruncați scule electrice în gunoii menajeri! Conform directivei europene nr. 2002/96/CE referitor la aparate electrice și electronice uzate precum și la transpunerea acesteia în drept național, sculele electrice trebuiesc colectate separat și introduse într-un circuit de reciclare ecologic.

ТЕХНИЧКИ ПОДАТОЦИ Преса за картуши M12 PCG

Сила на туркање.....	1780 N
Волтажа на батеријата.....	12 V
Тежина според ЕПТА-процедурата 01/2003 (1,5 Ah).....	1,86 kg
Тежина според ЕПТА-процедурата 01/2003 (3,0 Ah).....	2,09 kg

Информација за бучавата/вибрациите

Измерените вредности се одредени согласно стандардот EN 60 745.

A-оценетото ниво на бучава на апаратот типично изнесува:

Ниво на звучен притисок. (K=3dB(A)).....	54,5 dB (A)
Ниво на јачина на звук. (K=3dB(A)).....	65,5 dB (A)

Вкупни вибрациски вредности (векторски збир на трите насоки) пресметани согласно EN 60745.

Вибрациска емисиона вредност a_{h}	< 2,5 m/s ²
Несигурност K.....	1,5 m/s ²

ПРЕДУПРЕДУВАЊЕ

Нивото на осцилација наведено во овие инструкции е измерено во согласност со мерните постапки нормирани во EN 60745 и може да биде употребено за меѓусебна споредба на електро-алати. Ова ниво може да се употреби и за привремена проценка на оптоварувањето на осцилацијата.

Наведеното ниво на осцилација ги репрезентира главните намени на електро-алатот. Но, доколку електро-алатот се употребува за други намени, со отстапувачки додатоци или со несоодветно одржување, нивото на осцилација може да отстапи. Тоа може значително да го зголеми оптоварувањето на осцилацијата за време на целиот работен период.

За прецизна проценка на оптоварувањето на осцилацијата предвид треба да бидат земени и времињата, во коишто апаратот е исклучен или работи, но фактички не се употребува. Тоа може значително да го намали оптоварувањето на осцилацијата за време на целиот работен период.

Утврдете дополнителни безбедносни мерки за заштита на операторот од влијанието на осцилациите, како на пример: одржување на електро-алатот и на додатоци кон електро-алатот, одржување топли раце, организација на работните процеси.

⚠ ПРЕДУПРЕДУВАЊЕ! Прочитајте ги сите безбедносни упатства и инструкции. Заборавање на почитувањето на безбедносните упатства и инструкции можат да предизвикаат електричен удар, пожар и/или тешки повреди.
Сочувајте ги сите безбедносни упатства и инструкции за во иднина.

УПАТСТВО ЗА УПОТРЕБА

Прочитајте го и разберете ја содржината од прирачникот на производителот на полначот.

Секогаш носете ракавици кога ја користите машината.

Извадете го батерискиот склоп пред отпочнување на каков и да е зафат врз машината.

Не ги оставајте искористените батерии во домашниот отпад и не горете ги. Дистрибутерите на Милвоки ги собираат старите батерии, со што ја штитат нашата околина.

Не ги чувајте батериите заедно со метални предмети (ризик од краток спој).

Користете исклучиво Систем C12 за полнење на батерии од C12 систем. Не користете батерии од друг систем.

Не ги отворајте насилно батериите и полначите, и чувајте ги само на суво место. Чувајте ги постојано суви.

За да се намали ризикот од повреда, електричен удар и оштетување на алатот, никогаш не го потопувајте и не дозволувајте на навлезе течност во него.

СПЕЦИФИЦИРАНИ УСЛОВИ НА УПОТРЕБА

Пиштолот за лепење и пена се користи за нанесување на пена или лепила од туби или најлонски пакувања. Во случај на нејаснотии, прочитајте го упатството од производителот пената или лепакот.

Не го користете овој производ на било кој друг начин освен пропишаниот за нормална употреба.

БАТЕРИИ

Нови комплекти батерии постигнуваат целосен капацитет по 4-5 циклуса на полнење и празнење. Подолг период неупотребувани комплекти батерии да се наполнат пред употреба.

Температура повисока од 50°C (122°F) го намалуваат траењето на батериите. Избегнувајте подолго изложување на батериите на високи температури или сонце (ризик од прегревање).

Клемите на полначот и батериите мора да бидат чисти.

За оптимален работен век батериите мора да се наполнат целосно по употреба.

За можно подолг век на траење, апаратите после нивното полнење треба да бидат извадени од апаратот за полнење на батериите.

Во случај на складирање на батеријата подолго од 30 дена: Акумулаторот да се чува на температура од приближно 27°C и на суво место.

Акумулаторот да се складира на приближно 30%-50% од состојбата на наполнетост.

Акумулаторот повторно да се наполни на секои 6 месеци.

ЗАШТИТА ОД ПРЕОПТЕРЕТУВАЊЕ НА БАТЕРИЈАТА

Батериското пакување е опремено со заштита од преоптоварување што ја штити батеријата од преоптоварување и обезбедува долг работен век.

При екстремно висок степен на употреба, електрониката на батеријата автоматски ја исклучува машината. За да продолжите со работа исклучете ја машината и вклучете ја повторно. Доколку машината не се вклучи повторно, можно е батериското пакување да е испразнето. Тогаш тоа ќе мора да биде наполнето во апаратот за полнење.

СОВЕТ ЗА КОРИСТЕЊЕ#ueb#

Функција против капки

Пресата за картуши поседува автоматска функција која спречува капење. После отпуштање на копчето прекинувач, моторот за кратко време се вклучува и на тој начин ја растеретува погонската шипка. Тоа спречува дополнително капнување.

Во случај на празна туба моторот кратко се вклучува за да ја растерети погонската шипка. Потоа копчето прекинувач да се отпушти и да се замени тубата.

Преоптоварување

Онолку долго колку што е притиснато копчето прекинувач, машината зголемува притисок. Доколку и покрај тоа не излегува никаков материјал, осигурајте се дека:

Врвот на дизната е пресечен.

Картушата дихтува.

Стврдат материјал е отстранет од дизната

Картушата не е оштетена или замрзната

Погонската шипка нема маса за дихтување или лепило.

ОДРЖУВАЊЕ

ВНИМАНИЕ! Санката и погонската шипка мора да се чисти и без маса за дихтување и лепило. Ако има нечистотии тие да се отстранат во склад со препораките на производителот на маса за дихтување/лепило.

Користете само Milwaukee додатоци и резервни делови. Доколку некои од компонентите кои не се опишани треба да бидат заменети, Ве молиме контактирајте ги сервисните агенти на Milwaukee (консултирајте ја листата на адреси).

Доколку е потребно можно е да биде набавен детален приказ на алатот. Ве молиме наведете го бројот на артиклот како и типот на машина кој е отпечатен на етикетата и порачајте ја скицата кај локалниот застапник или директно кај: Techtronic Industries GmbH, Max-Eyth-Straße 10, D-71364 Winnenden, Germany.

СИМБОЛИ



Ве молиме пред да ја стартувате машината обрнете внимание на упатствата за употреба.



Секогаш носете ракавици кога ја користите машината.



Извадете го батерискиот склоп пред отпочнување на каков и да е зафат врз машината.



Не ги фрлајте електричните апарати заедно со другиот домашен отпад! Европска регулатива 2002/96/EC за одлагање на електрична и електронска опрема и се применува согласно националните закони. Електричните апарати кои го достигнале крајот на својот животен век мора да бидат одвоено собрани и вратени во соодветна рециклажна установа.

技术数据 挤压机 M12 PCG

挤压力	1780 N
蓄电池电压	12 V
重量符合EPTA—Procedure01/2003 (1,5 Ah)	1,86 kg
重量符合EPTA—Procedure01/2003 (3,0 Ah)	2,09 kg

噪声/振动信息
本测量值符合 EN 60 745 条文的规定。
器械的标准A-值噪音级为：

音压值 (K=3dB(A))	54,5 dB (A)
音量值 (K=3dB(A))	65,5 dB (A)

依欧盟EN 60745 标准确定的振荡总值（三方向矢量和）。

a _w -振荡发射值	< 2,5 m/s ²
K-不可靠性	1,5 m/s ²

注意

本规程列出的依欧盟EN 60745 标准一项标准测量方法测量的振荡级也可用于电动工具比较并适合于临时振荡负荷估计。
该振荡级代表电动工具的主要应用。电动工具的其他应用，不正确的工作工具或欠缺维护可造成振荡级偏差。此可明确提高总工作期间的振荡负荷。

正确地估计一定工作期间的振荡负荷也要考虑到工具关闭或接通而不使用的期间。此可明确减少总工作期间的振荡负荷。

为提高操作人员对振荡作用的保护得规定补充安全措施：电动工具及工作工具的维护，温手，工作过程组织等。

△ 注意！务必仔细阅读所有安全说明和安全指示（应注意阅读附上的小册子）。如未确实 遵循警告提示和指示，可能导致电击、火灾并且/ 或其他的严重伤害。
妥善保存所有的警告提示和指示，以便日后查阅。

特殊安全指示

注意充电器使用说明书上的解说。

操作机器时务必佩戴护目镜。

在机器上进行任何修护工作之前，先拿出蓄电池。

损坏的蓄电池不可以丢入火中或一般的家庭垃圾中。Milwaukee 提供了符合环保要求的回收项目： 请向您的专业经销商索取有关详情。

蓄电池不可以和金属物体存放在一起（可能产生短路）。
C12 系列的蓄电池只能和 C12 系列的充电器配合使用。不可以使用本充电器为其它系列的电池充电。

不可拆开蓄电池和充电器。蓄电池和充电器必须储藏在干燥的空间，勿让湿气渗入。

千万不可以把机器放置在液体内，也不可以让液体渗入机器中，以避免造成伤害、遭受电击或者损坏机器。

正确地使用机器

本充电式挤压机，能够从罐子或塑料袋中挤出密封胶材料或粘胶。使用机器时，请注意密封胶材料制造商，或粘胶厂商提供的指示。

请依照本说明书的指示使用此机器。

蓄电池

新的蓄电池经过 4 - 5 次的充、放电后，可达到最大的电容量。长期储放的蓄电池，必须先充电再使用。

如果周围环境的温度超过摄氏 50 度，蓄电池的功能会减弱。勿让蓄电池长期暴露在阳光或暖气下。

充电器和蓄电池的接触点都必须保持干净。

为获得最长寿命，使用后应把蓄电池充满电。

为确保最长使用寿命，充电后应把蓄电池从充电器取出。

符号



使用本机器之前请仔细阅读使用说明书。



操作机器时务必佩戴护目镜。



在机器上进行任何修护工作之前，先拿出蓄电池。



不可以把损坏的电动工具丢弃在家庭垃圾中！根据被欧盟各国引用的有关旧电子机器的欧洲法规 2002/96/EC，必须另外收集旧电子机器，并以符合环保规定的方式回收再利用。

蓄电池储存时间长于30日：
在环境温度27°C左右干燥处储存蓄电池。
在百分之30至50充电状态储存蓄电池。
每6月重新充电。

蓄电池超载保护

为防止蓄电池超载并确保长使用寿命，蓄电池组具有超载保护。

负荷极端高时，蓄电池技术将机器自动断开。为继续工作，将机器断开并再接通。如果机器不再启动，蓄电池组可能已放电，得用充电器再次充电。

操作机器时的注意事项

防滴功能 挤压机具有自动防滴功能。放开开关按钮后，发动机将短时继续工作并同时卸载推杆以防止余滴。

物料罐空了,发动机将短时继续工作以卸载推杆。此时应放开开关按钮并交换物料罐。

过载 开关按钮被按下时，机器将产生压力。此时倒是没有物料流出，应确保：

物料罐上有开口。

物料罐的紧密状态。

硬化物料从喷嘴上清除。

物料罐不损坏或冻结。

推杆上不沾了污垢（例如密封胶和粘胶）。

维修

注意！务必滑板及推杆清洁无密封胶或胶粘剂。应按密封胶/胶粘剂制造者的建议清除污染物。

只能使用 Milwaukee 的配件和 Milwaukee 的零件。缺少检修说明的机件如果损坏了，必须交给 Milwaukee 的顾客服务中心更换（参考手册“保证书/顾客服务中心地址”）。

如果需要机器的分解图，可以向您的顾客服务中心或直接向 Techtronic Industries GmbH, Max-Eyth-Straße 10, D-71364 Winnenden, Germany。零件时必须提供以下资料：机型和机器铭牌上的十位数字码。

Copyright 2012

Techtronic Industries GmbH
Max-Eyth-Straße 10
D-71364 Winnenden
Germany

+49 (0) 7195-12-0

