

Large cantilever arm FCAM hdg.

The large cantilever arm for heavy loads



Sliding element on cantilever



Applications

- Quick and easy installation of pipelines with heavy loads
- For indoor and outdoor applications and in environments with high stress to components due to corrosion

Advantages/benefits

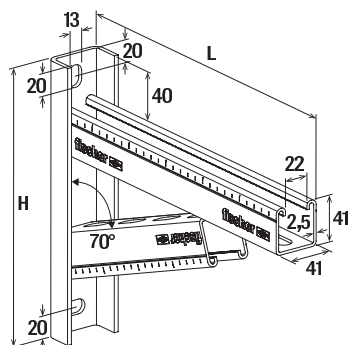
- The robust construction, consisting of a basic and a support profile, allows the bearing of heavy loads.
- The graduated range of lengths allows an ideal adaptation to the application.
- The base plate's long slots, which are at 90° to one another, allow the arm to be easily aligned.
- The stamped teeth in the channel give the sliding nuts a secure hold for high shear loads, e.g. for vertical installation.
- The surface coating creates a high corrosion protection against environmental influences like humidity, water, saltwater or other corrosive substances.

Properties

- Material: steel S235 JR (material no.10037) acc. to DIN EN 10025
- Zinc plating: hot-dip galvanised, min. 45 µm, acc. to DIN EN ISO 1461

3a

Technical data



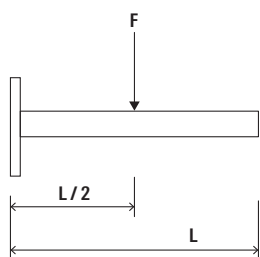
FCAM

Item	Item No.	Length L [mm]	Height H [mm]	Sales unit [pcs]
FCAM 300 hdg.	538018	300	246	1
FCAM 400 hdg.	538019	400	270	1
FCAM 500 hdg.	538020	500	284	1
FCAM 600 hdg.	538021	600	319	1
FCAM 700 hdg.	538022	700	343	1

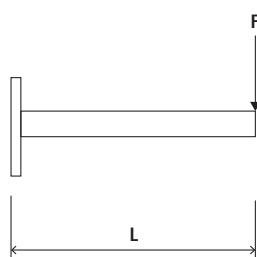
Loads

Item	Item No.	Max. recommended static load load case 1 F_{rec} [kN]	Max. recommended static load load case 2 F_{rec} [kN]	Max. recommended static load load case 3 F_{rec} [kN]
FCAM 300 hdg.	538018	7.0	3.7	7.0
FCAM 400 hdg.	538019	7.5	2.8	7.5
FCAM 500 hdg.	538020	6.5	2.3	6.5
FCAM 600 hdg.	538021	6.0	1.9	6.0
FCAM 700 hdg.	538022	5.5	1.3	5.5

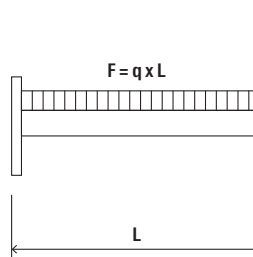
Load case 1



Load case 2



Load case 3



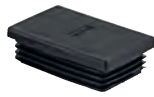
Cover cap FEC



FEC 21 B



FEC 41 B



FEC 62 B

Item	Item No.	For profile	Material	Sales unit [pcs]
FEC 21 B	077357	41/21	Polyethylene, black	100
FEC 41 B	077355	41/41	Polyethylene, black	100
FEC 62 B	505551	41/62	Polyethylene, black	100