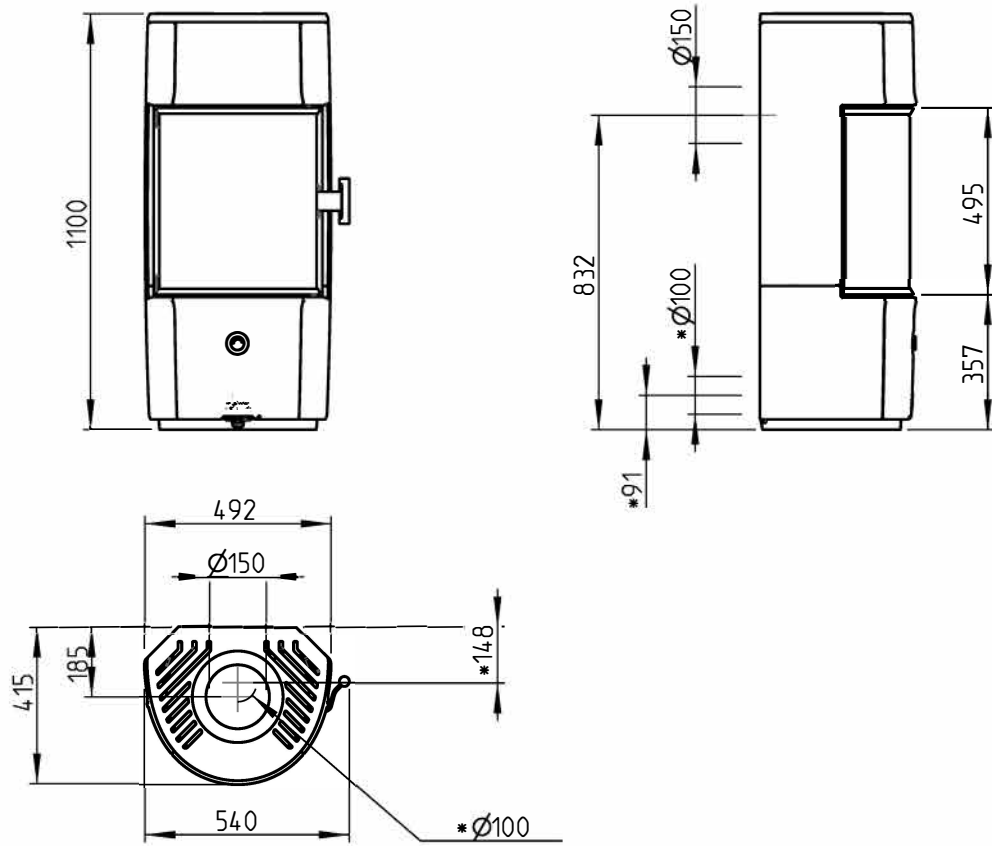


Fig. 1a

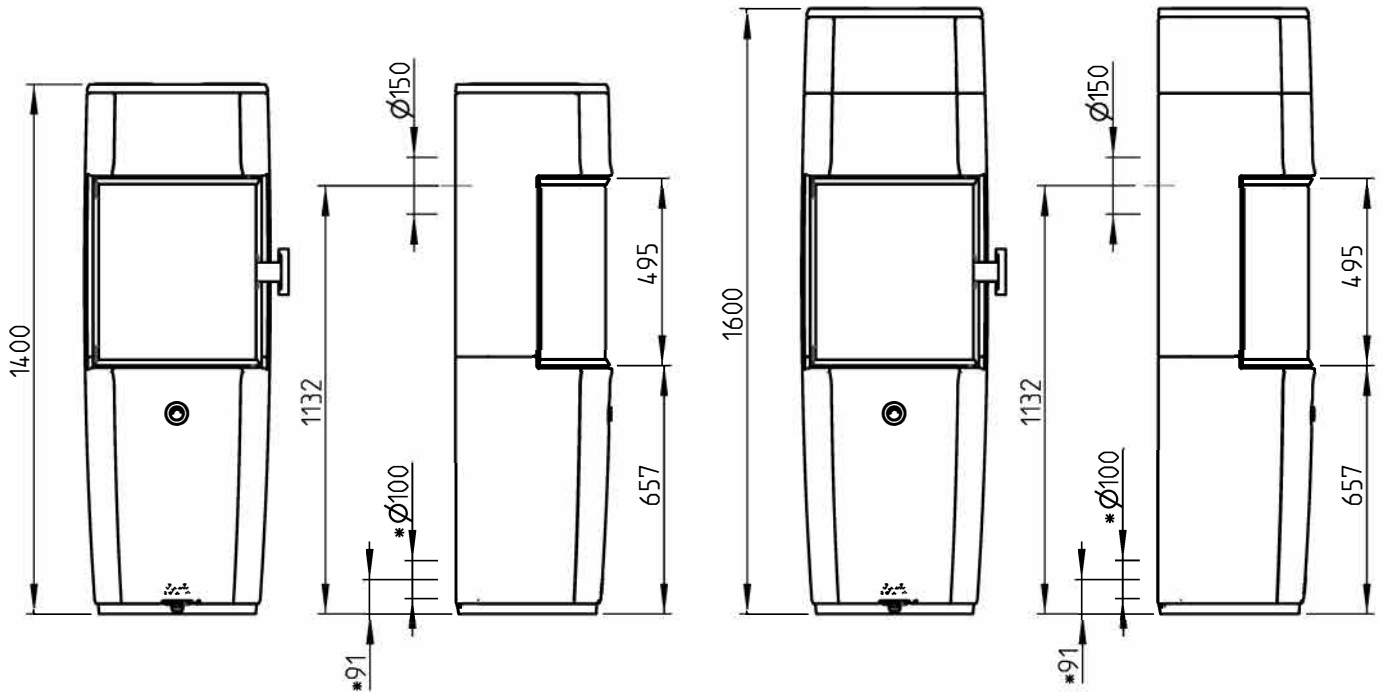
DIMENSIONS

Jøtul F 171 Zensoric



Jøtul F 174 Zensoric

Jøtul F 176 Zensoric

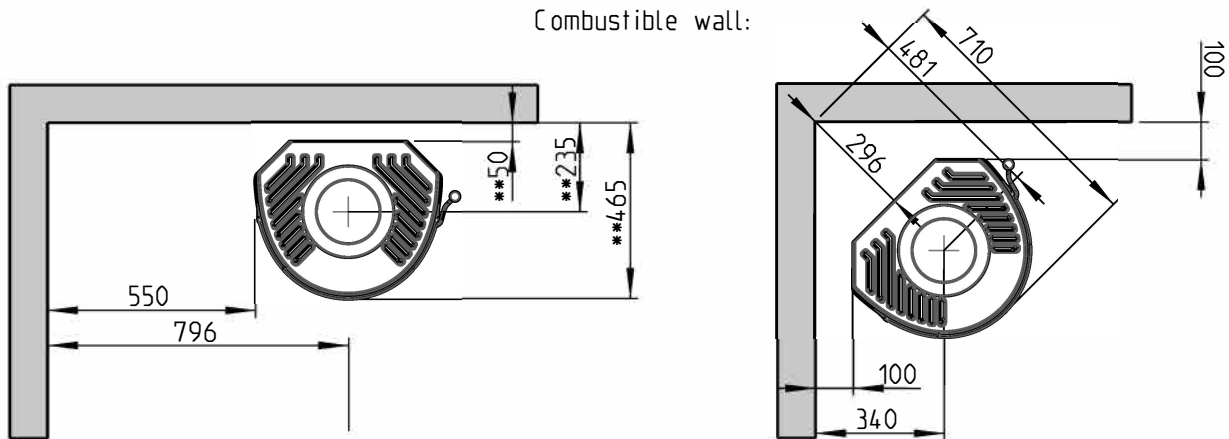


*Outside air connection $\varnothing 100$ mm

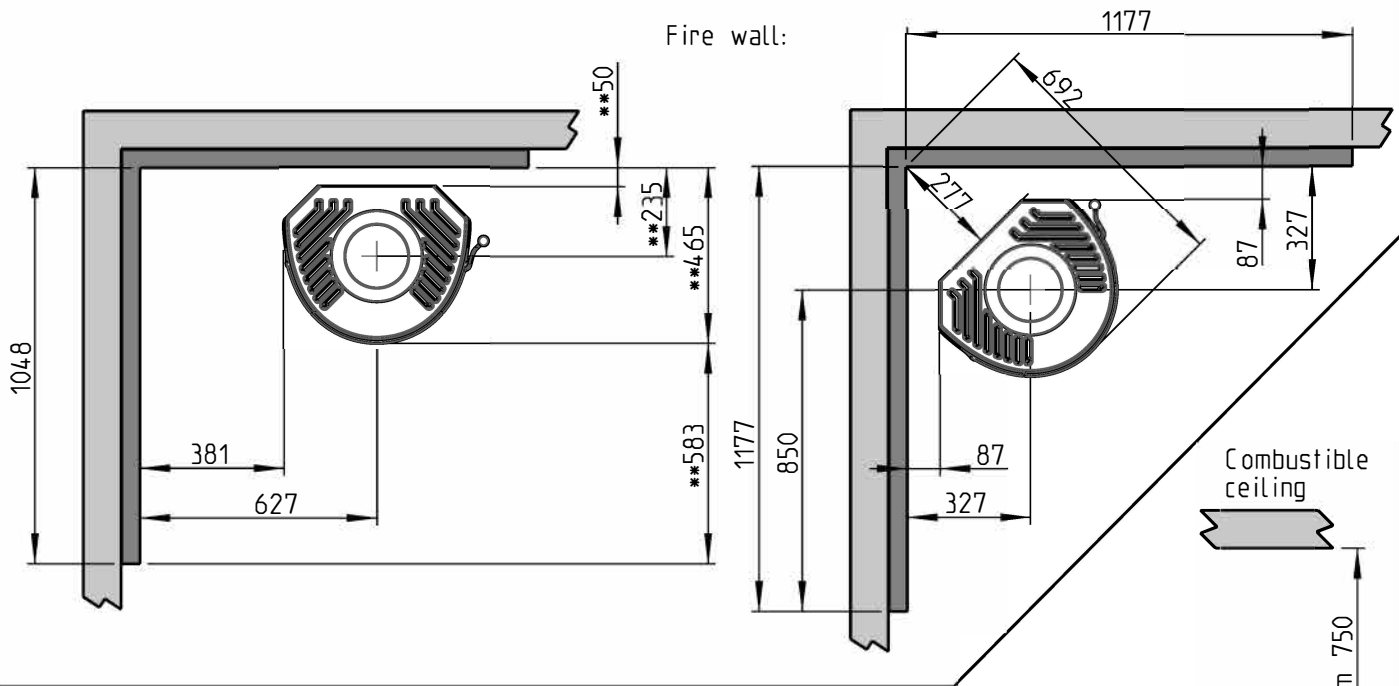
Fig. 1b

Placement terms (minimum distances) for:
 Jøtul F 171 Zensoric, Jøtul F 174 Zensoric and Jøtul F 176 Zensoric

Combustible wall:



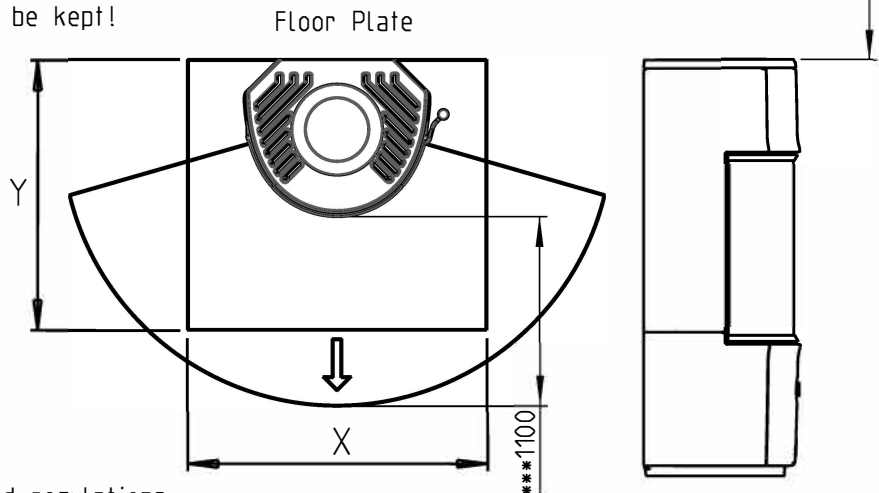
Fire wall:



**With semi-insulated flue pipe down to the top of the stove. The safety distances for the chimney and the flue pipe must be kept!

Combustible wall:

Firewall:
 Eg. 50mm Jøtul Firewall.
 110 mm refractory brick,
 or material with similar
 refractoriness and
 insulation properties.



X/Y= According to national laws and regulations

***minimum distance to furniture/combustible material