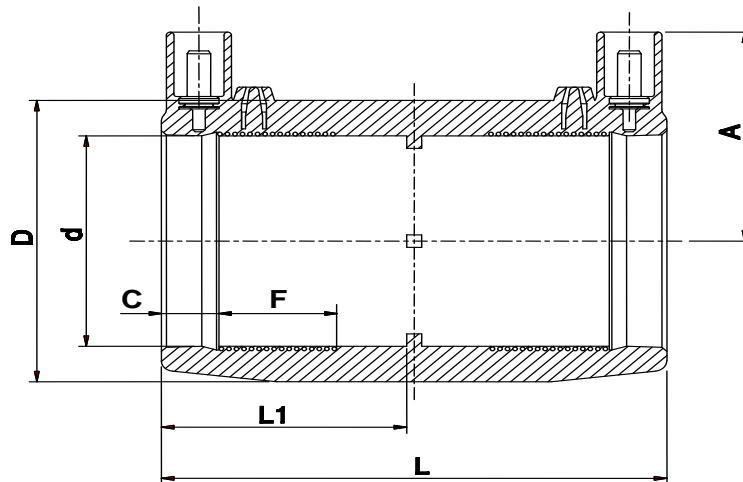




Electro-Fusion Catalog Data Sheet

Product: Coupler 75mm	Catalog No.: 490104075 – 4.0mm terminal pin	Updated: 11/12/2018
---------------------------------	---	-------------------------------



Geometry:

d	L	L1 Penetration Depth	F	C	A	D	Weight [gr]
75	127	62	38	12	62	98	348

Dimension	Symbol	Unit	minimum	nominal	maximum
Internal Diameter	d	mm	75.1	75.9	76.7

Barcode: 951612010753401026110113

Welding Parameters

Voltage: 40 Volts ± 0.5 Volts
 Fusion Time: 110 [sec]
 Cooling Time to 110 °C: 10 [min]

Electrical Characteristics:

Coil Resistance at 20 °C: 1.017 Ω

Welding Data Input:

SmartFuse, Barcode, Manual

Pipe SDR Compatibility:

SDR 7.4 to SDR 17.6

Pressure Rating:

Water PN 16, Gas PE100 SDR11

Raw Material: PE100